

Bosch Vision™ 300/500/800 Series Electric Clothes Dryers



BOSCH

Invented for life



en **Dryer: Operating, Care and Installation Instructions**

es **Secador: Operación, cuidado y instrucciones para la instalación**

Features and Benefits of Your New Dryer

ActiveDry™ Technology

Moisture and temperature levels are constantly monitored to ensure precise drying results for a wide array of fabrics. Everything from T-shirts to baby blankets comes out warm and soft every time.

Constant monitoring ensures the lowest energy usage possible, cutting consumption by up to 50% per year.

EcoSmart™

EcoSmart™ technology utilizes a network of sensors in the Bosch Vision dryer for cycles that conserve the most energy possible while maintaining superior drying performance. By adjusting to how wet the load is and regulating temperature to never over heat, it is no wonder that Bosch offers some of the most efficient dryers in the market.

EcoAction™

This option gives you the ability to reduce energy usage by up to 10%. By selecting this option, temperature is reduced to save resources while the cycle time is slightly extended to ensure proper drying.

DynamicAir™

The Bosch Vision DynamicAir™ system features gentle heat and high air volume in the most gentle dryer drum. Only Bosch Vision can offer a one-piece dryer drum with a backshield full of holes to properly distribute air over your laundry, giving you the most gentle and effective drying possible.

Wrinkle Block®

Sometimes you can't get your laundry right when the buzzer rings. Wrinkle Block® gives you one hour of intermittent tumbling, preventing creases from setting in and, ultimately, reducing ironing time.

Stainless Steel Drum

Bosch dryers feature smooth, stainless steel drums for the gentlest of care.

160° Door Hinge

The dryer door opens up to 160° – making it easier to load and unload laundry. Washer and dryer doors also open in opposite directions, so when set up side by side, transferring your damp laundry to the dryer becomes an effortless task.

Quiet Performance

Bosch laundry appliances use brushless motors, suspended pump systems, and special sound-deadening material to keep them exceptionally quiet while in operation. Quiet operation means they can be installed virtually anywhere in the home without causing a disturbance.

Dryer Rack

The dryer rack protects the most delicate fabrics or a pair of tennis shoes, allowing either to dry without tumbling. It is standard on the Premium model and is available as an accessory on all models.

Lint Filter

The dryer lint filter is conveniently located in the appliance housing below the dryer door for easy access. The lint filter's fine mesh filter captures even the smallest lint particles. And to increase drying efficiency, there's also a lint filter LED on the control panel that illuminates should the filter need immediate cleaning.

Steam Cycles

Steam Cycles offered on select models utilize added moisture to help relax fabric, ease wrinkling, and freshen cotton blend laundry items to reduce odor.

Table of Contents

Definitions	4
IMPORTANT SAFETY INSTRUCTIONS	5
GROUNDING INSTRUCTIONS	6
INSTALLATION INSTRUCTIONS	7
Introduction	7
Information concerning waste disposal	7
Before installing the dryer	7
Checklist for Installation	8
Installation Location	8
Dryer Dimensions	8
Door Hinge Reversal	9
Installation Types	11
Electrical connection	14
Exhaust air connection	17
Accessories	19
Preparing to transport the dryer – step by step	19
OPERATING INSTRUCTIONS	20
Panel	20
Additional Safety information	21
Protection of the environment	21
Laundry	21
Identification of fabrics	21
Drying tips	21
Cycle Selection	22
Options (Delicates, ECO Action)	22
Acoustic Signal (800 Series, page 25)	22
LED indicators of cycle sequence	23
Cycle Selection Table	24
Automatic cycles	24
Steam cycles	24
Special cycles	24
Time cycles	24
Additional Options on LCD Menu	24
Operation	26
Using the dryer	26
Cleaning the lint filter	27
Using the dryer rack (Option)	28
Cleaning and care	29
Cleaning the dryer	29
Cleaning the exhaust duct	29
Cleaning the moisture sensor	29
Cleaning the lint filter housing	29
Cleaning the Steam nozzle	29
Change the light bulb	29
Troubleshooting	30
SERVICE and REPAIR	32
STATEMENT OF LIMITED PRODUCT WARRANTY	33

Congratulations!

Your new clothes dryer is a modern, high quality domestic appliance.

This dryer complies with:
UL 2158/CAN/CSA-C22.2 No.
112 Clothes Dryers

A distinctive feature of your dryer is low energy consumption.

An easy operation philosophy, a variety of customized drying programs, and a solid touch and feel make this appliance a user-friendly assistant in your household.

Bosch dryers offer the following standard features:

- High-efficiency precision drying system
- Large stainless steel drum with a capacity of up to 17.6 lbs (8 kg)
- Large port hole (16"/406 mm), and door interlock with automatic drum stop function
- Exceptionally quiet operation
- Sensor-controlled auto cycles
- Timed cycles
300 and 500 Series Dryer: 20, 40 and 60 minute cycles
800 Series Dryer: 10 to 150 minutes (in increments of 10 minutes)
- Wrinkle Block® feature tumbles clothes periodically for up to one hour following drying to help decrease wrinkling

Each dryer which leaves our factory has undergone a thorough performance test and is in full working condition. If you have any questions, especially concerning installation of the dryer – our customer service team will be happy to assist you.

Further information and a selection of our products can be found on our web site:

www.bosch-home.com/us

Information

Please read and follow these operating and installation instructions and all other information enclosed with the dryer.

Models Covered by this User Manual

Display types

The instructions in this manual refer to dryers with two different display types.



300 and 500 Series dryers have an LED display



800 Series dryers have an LCD display

Installation, operating and maintenance instructions are the same for dryers with either display type except where noted. LCD dryer menu operation and related options are described in the 800 Series Additional Options section of this manual.

Steam Dryers

Steam Cycles are available on 500 and 800 Series Dryers with the Steam logo on the panel.



Definitions



WARNING

WARNING – This indicates that death or serious injuries may occur as a result of non-observance of this warning.



CAUTION

CAUTION – This indicates that minor or moderate injuries may occur as a result of non-observance of this warning.

NOTICE

NOTICE – This indicates that damage to the appliance or property may occur as a result of non-observance of this warning.



This symbol is used to draw the user's attention to important information.

⚠ IMPORTANT SAFETY INSTRUCTIONS



WARNING

The warnings and safety instructions in this manual can not cover all possible risks, conditions and situations that may arise. Use common sense and exercise caution when installing, maintaining and operating this or any other appliance.



WARNING

To reduce the risk of fire, electric shock, serious injury or death to persons and /or damage when using your dryer, follow basic precautions, including the following.

1. Read all instructions before using the dryer. Bosch dryers are provided with Operating, Care and Installation Instructions.
2. Do not dry articles that have been previously cleaned, washed, soaked or spotted with gasoline, dry cleaning solvents, or other flammable or explosive substances as they give off vapors that could **ignite** or explode.

To reduce the risk of **fire**, clothes, cleaning rags, mop heads and the like which have traces of any flammable substance, such as vegetable oil, cooking oil, petroleum-based oils or distillates, waxes, fats, etc., must not be placed in the dryer. These items may contain some flammable substance(s), even after washing, which may smoke or catch **fire** by themselves.

Do not place items exposed to cooking oils in your dryer. Items contaminated with cooking oils may contribute to a chemical reaction that could cause a laundry load to catch **fire**.
3. The dryer must only be used for its intended purpose.
4. When children become old enough to operate the appliance, it is the responsibility of the parents or legal guardians to ensure that they are instructed in safe practices by qualified persons.
5. Do not allow children to play on or in the appliance at any time; severe **injury** or **death** could result. Children should be kept a safe distance away from appliances at all times. Children should only be permitted within an appliance's vicinity if under close, constant adult supervision.
6. Do not allow children's toys, or other items that might encourage children to climb on the dryer, to be stored on or in the dryer or on shelves or in cabinets or other storage areas adjacent to the dryer.
7. Do not sit or stand on the top of the dryer.
8. Do not allow anyone to climb, lean or hang on any part of the dryer including any protruding components such as the appliance door or a pullout shelf.
9. To reduce the risk of poisoning or chemical burns, keep all cleaning products out of the reach of children.
10. Store all laundry chemicals and aids in a cool dry place according to the manufacturer's instructions. Make sure children cannot reach them. Gasoline, combustible materials and materials that produce flammable vapors, flammable liquids, and substances that pose a fire hazard must not be stored near the dryer.
11. Keep pets away from the dryer.
12. BEFORE THE APPLIANCE IS REMOVED FROM SERVICE OR DISCARDED, REMOVE THE DOOR TO THE DRYING COMPARTMENT.
13. Do not reach into the appliance if the drum is rotating.
14. Do not install or store this appliance where it will be exposed to the weather or the elements, such as water/moisture, dirt, corrosive/salt air, and excessive cold.
15. Do not tamper with the controls.
16. Do not repair or replace any part of the appliance or attempt any service unless specifically recommended in the user-maintenance instructions or in published user repair instructions that you understand and have the skills to carry out.
17. Do not use fabric softeners or products to eliminate static unless recommended by the fabric manufacturer.
18. Do not use heat to dry articles containing foam rubber (may be labeled latex foam) or similarly textured rubber-like materials. Foam rubber materials can **ignite** by spontaneous combustion.
19. Do not dry articles containing spunbonded olefin. Spunbonded olefin can melt and can **ignite** by spontaneous combustion.
20. Check the lint screen before each laundry load and clean as needed. Excess lint buildup can damage the dryer and create a potential **fire hazard**.
21. Keep area around the exhaust opening and adjacent surrounding areas free from the accumulation of lint, dust and dirt. An obstructed port might reduce the airflow and cause overheating.
22. The interior of the machine and exhaust duct should be cleaned periodically by qualified service personnel.
23. Removing any panel or cover, including the light cover, may expose live electrical circuits. Always be sure to unplug the dryer from the electrical supply before attempting any service. Disconnect the power cord by grasping the plug, not the cord.
24. To avoid fire hazards, do not use an extension cord, an adapter, or any other non-manufacturer supplied electrical connector or cord, to connect the dryer to the electrical supply. Dryers require substantial amounts of electrical power and must have dedicated electrical outlets.
25. Always check clothing pockets and shake out all laundry items before placing into dryer;

inappropriate objects can damage the dryer and certain items like cigarette lighters can pose a **fire hazard**.

26. To reduce the risk of fire and electrical shock hazards, do not use the dryer if the power cord is frayed or damaged, or if the plugs are loose.
27. Do not operate the dryer if any guards and/or panels have been removed or if any parts are missing or broken.
28. Do not bypass any safety devices.
29. Do not use a plastic or non-metal flexible duct with this dryer. Plastic or non-metal flexible duct is a potential **fire hazard**.
30. Do not operate this dryer until you are sure that the dryer has been installed according to the **INSTALLATION INSTRUCTIONS** and that installation and electrical grounding are in compliance with all local regulations and/or other applicable regulations and requirements.
31. Failure to install, maintain and/or operate the dryer according to the manufacturer's instructions may result in **injury** and/or damage.
32. To avoid floor damage and mold growth, do not let spills or splashout to cause standing water around or under the appliance.
33. Make sure that all water connections to the dryer have a shut-off valve that is readily accessible. Close the appliance water shut-off valve(s) at the end of each day of use.
34. Check the fill hose connections on a regular basis to ensure that they are tight and not leaking.

Notes:

- A The **IMPORTANT SAFEGUARDS** and **WARNINGS** presented in this manual do not cover all possible conditions that may occur. Common sense, caution and care must be exercised when installing, maintaining or operating the dryer.
- B Always contact your dealer, distributor, service agent or the manufacturer about any problems or conditions that you do not understand.
- C Follow the Safety Information provided in the **INSTALLATION INSTRUCTIONS** and the **OPERATING INSTRUCTIONS**.

GROUNDING INSTRUCTIONS

This appliance must be grounded. In the event of malfunction or breakdown, grounding will reduce the risk of electric **shock** by providing a path of least resistance for the electric current.

For U.S.A.

Your dryer comes without a power supply cord. The power cord must meet the following requirements:

- UL listed in the USA
- 240 volt rated (minimum)
- 30 amps
- Type SRDT or DRT and marked for use with clothes dryers
- Five feet long (minimum)



WARNING

Improper connection of the equipment grounding conductor can result in a risk of electric **shock**.

Check with a qualified electrician or service person if you are in doubt as to whether the dryer is properly grounded.

DO NOT modify the plug provided with the appliance. If it will not fit the outlet, have a proper outlet installed by a qualified electrician.

KEEP THESE INSTRUCTIONS FOR FUTURE REFERENCE.

In case of change of ownership, this manual should be conveyed with the dryer.

SAVE THESE INSTRUCTIONS

INSTALLATION INSTRUCTIONS

Introduction

Read these installation instructions completely and carefully. They will save you time and effort and help to ensure optimum dryer performance. Be sure to observe all listed warnings and cautions.



WARNING

WARNING – Risk of Fire.

- Clothes dryer installation must be performed by a qualified installer.
- Install the clothes dryer according to the manufacturer's instructions and local codes.
- Do not install a clothes dryer with flexible plastic venting materials. If flexible metal (foil type) duct is installed, it must be of a specific type identified by the appliance manufacturer as suitable for clothes dryers. Flexible venting materials are known to collapse, be easily crushed and trap lint. These conditions will obstruct clothes dryer airflow and increase the risk of fire.
- To reduce the risk of severe injury or death, follow all installation instructions.
- **SAVE THESE INSTRUCTIONS.**

In addition to these instructions the dryer must be installed in accordance with all local codes or, in the absence of a local code:

- In the **U.S.A.**, in accordance with the National Electric Code, ANSI/NFPA70 – latest edition/State and Municipal codes and/or local codes.

Information concerning waste disposal

Disposal of the packaging



WARNING

Keep children away from the shipping carton and packaging components to avoid risk of suffocation.

All packaging materials are environmentally friendly and can be reused. Please dispose of packaging in an environmentally friendly manner.

Please ask your dealer or inquire at your local authority about the best means of disposal.

Disposal of the old appliance



WARNING

If the appliance is no longer usable, pull out main plug, cut off power cord and discard with main plug. To prevent children from locking themselves in the appliance, remove the door.

Old appliances are not worthless rubbish! Valuable raw materials can be reclaimed from environmentally friendly recycling.

Please ask your dealer or inquire at your local authority about the best means of disposal.

Before installing the dryer

Before installing the dryer to a previously used ductwork system, make sure the system is clean. Professional ductwork cleaning is recommended annually and also when attaching your dryer to a previously used ductwork system.

Maintaining clean ductwork will reduce drying time and will improve drying performance.

Unpacking the appliance



CAUTION

The dryer is very heavy. Do not lift it by yourself. Do not lift the appliance by projecting components (e.g. door) – due to risk of breakage.

NOTICE

Remove the appliance packaging carefully to prevent damage to appliance surfaces and adjacent areas.

Check the dryer for transportation damage. Do not install a dryer which is visibly damaged. If in doubt, contact your dealer.

Supplied components



CAUTION

The dryer is supplied without a power cord. The power cord must be connected by a qualified technician or a licensed electrician.

NOTICE

After removing the packaging, immediately remove any objects from the drum.

Installation location



WARNING

DO NOT install the dryer:

- outdoors
- in an environment with dripping water,
- near flammable materials,
- in rooms which are at risk of frost,
- in rooms which may contain gas or other fuels,
- in cupboards with lockable doors.

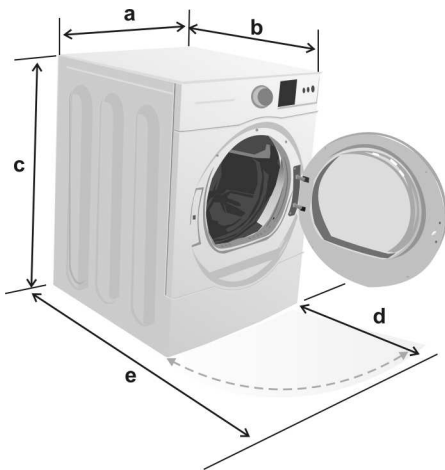
The installation room must be well ventilated, otherwise the dryer will operate below optimum performance.

Do not operate the dryer at temperatures above 104°F (40°C) or below 41°F (5°C). Low temperatures affect the automatic program sequence and may prolong the drying times.

The installation surface for the dryer must be clean, level and firm. Do not install the appliance on carpets! Compensate for uneven floors with the height-adjustable feet.

The size of the installation area depends on the dimensions of the dryer. Ensure that there is adequate room for the swivel range of the door!

Dryer Dimensions



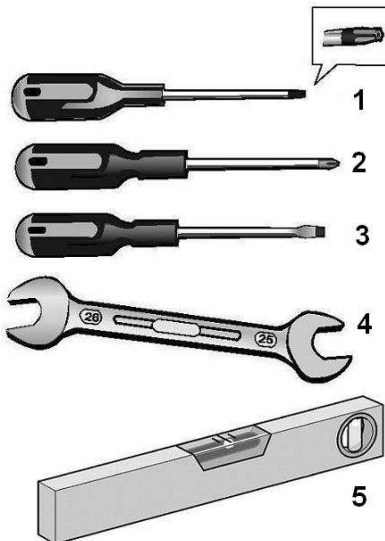
Dimension	Weight
a	27.0" (68.6 cm) 125 lbs (56.7 kg)
b	31.8" (81.0 cm)
c (min)*	36.9" (93.6 cm) with packaging
c (max)*	37.8" (95.9 cm) 143 lbs (64.8 kg)
d	22.0" (59.7 cm) angle 160°
e	53.9" (136.9 cm)

* min=dryer feet all the way in, max=out

Useful Tools

The following tools are helpful during installation:

1. T20 star head screwdriver
2. Philips screwdriver (#2)
3. Flat blade screwdriver
4. Open end wrench 1 in. (25mm)
5. Bubble level



Checklist for Installation

1. Unpack the dryer.
2. Remove all objects from the drum.
3. Check the dryer for visible damage.
4. Position the dryer near the installation location (see page 8).
5. If required, change the door hinge to the left (see page 9).
6. If required, install the side or bottom exhaust air outlet on the dryer (see page 19).
7. Have the power supply cord fitted by a qualified technician or a licensed electrician (see page 14).
8. Check for "Y" connection, short hose and water supply hose included with the dryer packaging (see page 13). (Selected models only).
9. Connect the water supply (selected models only) to the back of the dryer (see page 13 for detailed instructions).
10. Install exhaust ductwork if necessary.

Follow the installation instructions supplied by the appropriate ductwork parts manufacturers (see page 18)

- i** If space is very restricted, it is recommended to fit the initial parts of the exhaust duct to the dryer before the dryer is moved to its final installation location.

NOTICE

DO NOT push against the dryer door glass. Risk of breakage!

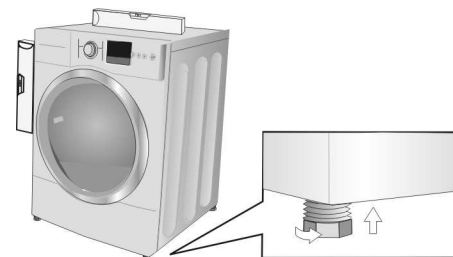


11. Move the dryer to its final location.

NOTICE

Do not slide dryer across the floor if height-adjustable feet have been extended. Feet and/or dryer base may be damaged if dryer is slid across floor with height-adjustable feet extended.

12. Position and then level the dryer.



The dryer should be level with all four feet firmly on the ground. The dryer must not wobble. If the dryer is not level or if it does wobble, the feet must be adjusted. Adjust the height-adjustable feet using the 1 in. (25mm) wrench until the dryer does not rock and is level, both front-to-back and side-to-side.

- ❑ After making preliminary adjustments, press down on each corner of the dryer to make sure the unit does not wobble. If pressing down on a corner causes the dryer to wobble, lower the dryer foot on that corner until the foot touches the floor firmly.

Install the dryer and level it from side to side and front to back. Use a bubble level. Never remove the height-adjustable feet!

13. Connect the exhaust duct to the exhaust air outlet on the dryer (see page 17).
14. Insert the dryer electrical plug into the wall receptacle (see page 14).
15. Read the operating instructions to understand how your dryer operates. (see page 20).
16. Conduct an appliance test:
 - ❑ Check that the drum is empty.
 - ❑ Close the dryer door.
 - ❑ Switch the dryer to "Extra Dry" and then press the "Start/Pause" button.
 - ❑ After 3–5 minutes press the "Start/Pause" button and open the door.
 - ❑ If the interior of the dryer feels warm, the dryer has been connected properly. Switch the dryer to "OFF".
 - ❑ If the dryer does not work, switch the dryer to "OFF". Look in the troubleshooting section (page 30) and find the fault.

Door Hinge Reversal

The door is hinged on the right hand side of the dryer at the factory. The door hinge can be reversed if necessary.

Tools Needed

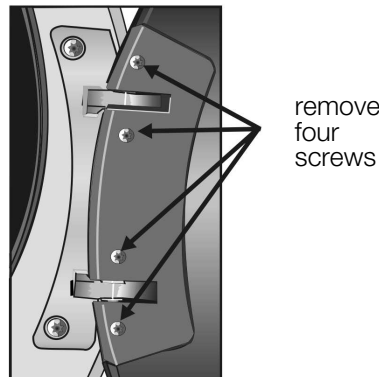
T20 star head screwdriver

Hinge Reversal Parts

Hinge (with 4 white plastic bushings)
Hinge Cover Plate
Door Assembly

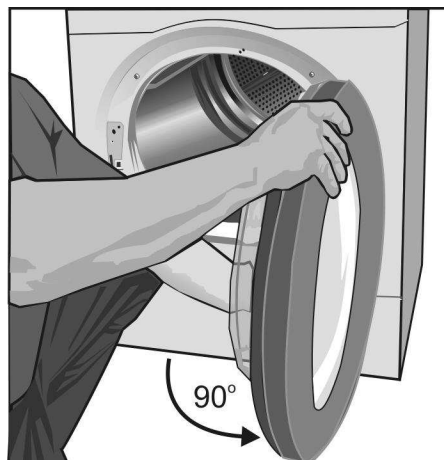
Hinge Reversal Procedure

1. Unplug the dryer.
2. Prepare a firm, flat, padded surface to lay the dryer door on while changing the hinge.
3. Open the dryer door to fully expose the hinge cover.
4. Remove the 4 screws holding the hinge cover in place.

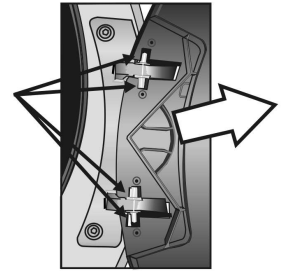


Set the cover aside along with the four screws for later reinstallation.

5. Rotate the door so that it is perpendicular to the dryer front. Slide the door away from the dryer so the hinge pins slide out of the grooves in the dryer door.

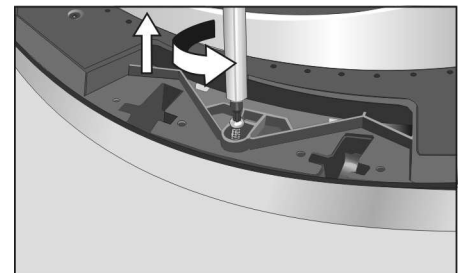


check to make sure that all four plastic bushings remain on the hinge pins

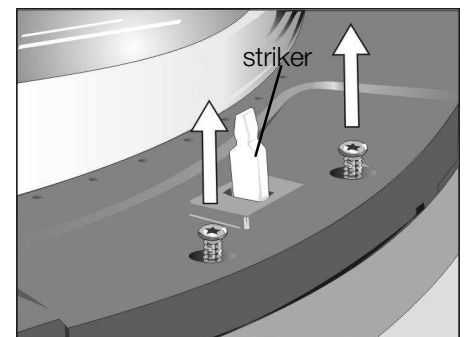


Avoid allowing the 4 plastic bushings to fall off the hinge pins. If any of the bushings do fall off, reinstall them on the hinge pins prior to reinstalling the door.

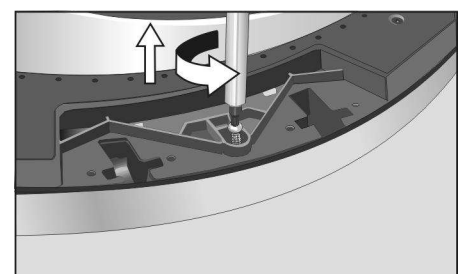
6. Lay the dryer door face down on a firm, flat, padded surface, with the bottom of the door facing towards you.
7. Remove the single screw that was hidden by the hinge cover plate.



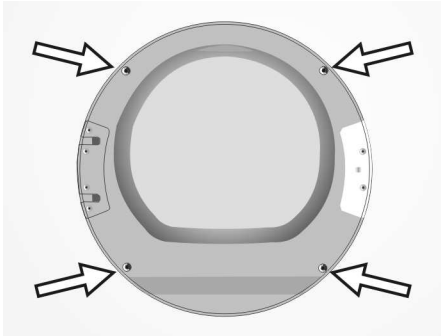
8. Remove the two screws holding the striker cover plate in place. Hold the striker while lifting the cover so as to keep the parts together in place and set the assembly aside for later reinstallation.



9. Remove the single screw that was hidden by the striker plate cover.

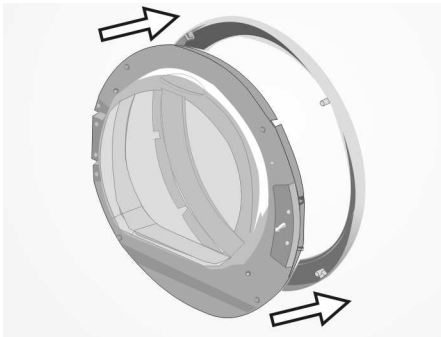


10. Remove the four screws holding the front ring to the door body.



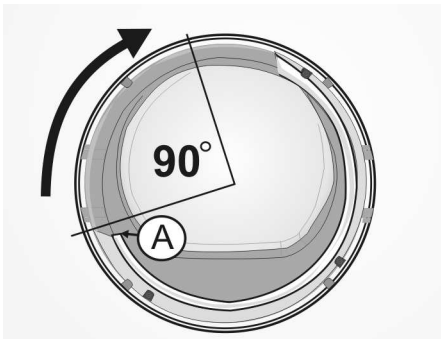
11. Flip the door over so the front ring faces up.

12. Remove the front ring from the dryer door.



13. The cover glass has a raised glass edge that goes about two-thirds of the way around the glass. Be sure this raised edge faces up towards you. Observe the position of the leading edge of the raised glass handle, marked in the illustration below as (A).

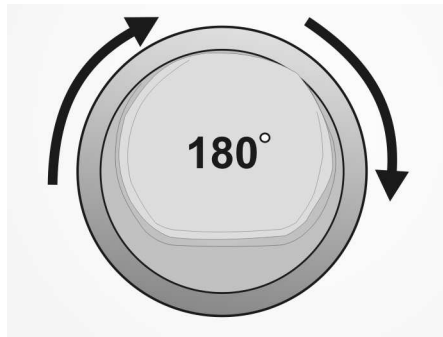
Rotate the cover glass 90 degrees clockwise.



14. Note the new position of the cover glass. The leading edge of the raised glass edge should have moved 90 degrees clockwise from its starting point as shown in the illustration below as (A).



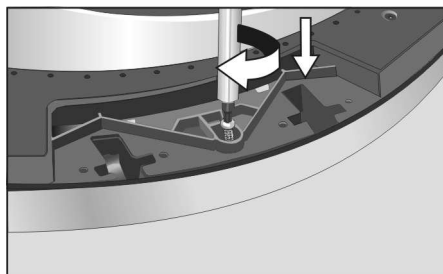
15. Rotate the front ring 180 degrees so the door handle is now on the right hand side. The door handle is located on the inside of the front ring. It is a hand-sized indent.



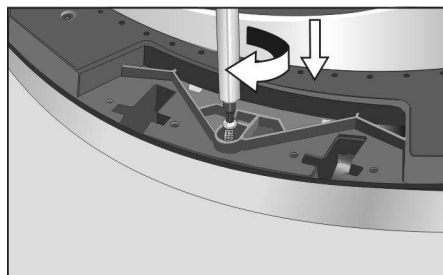
16. Flip the door over so the back faces up.

17. Reassemble the parts, preserving their new alignments.

18. Reinsert the single screw that goes under the hinge cover plate. Tighten the screw securely.



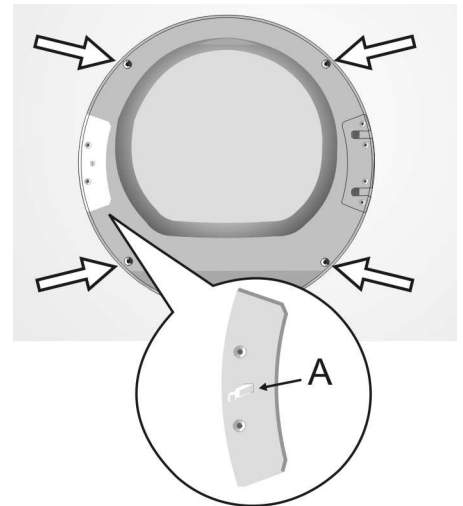
19. Reinsert the single screw that goes under the striker plate. Tighten the screw securely.



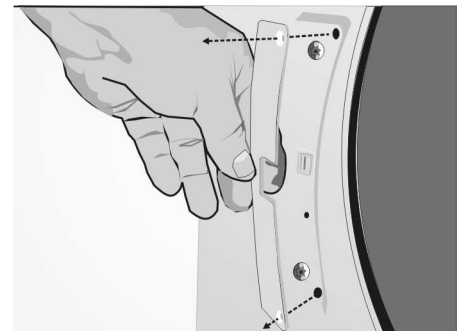
20. Rotate the striker cover and striker 180 degrees so the assembly fits to the install area on the opposite side of the door (where the hinge

had been). Reinstall the striker cover and striker to the new location and securely tighten the two cover screws.

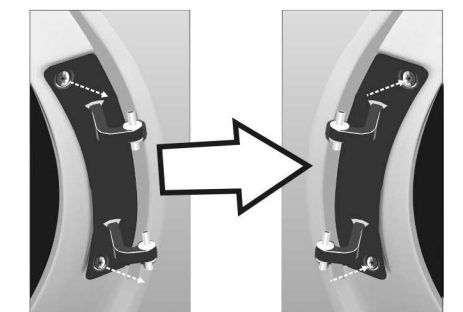
21. Reinsert and tighten the four front ring screws.



22. Remove the two screws holding the plastic cover plate over the left hand hinge mounting position on the dryer housing. Remove the plate and set it aside with the two screws.



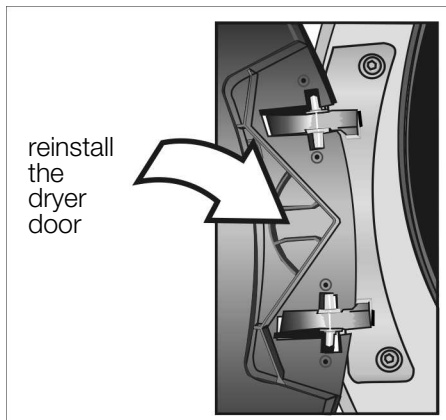
23. Remove the two screws holding the metal door hinge to the dryer housing. Remove the hinge from the housing.



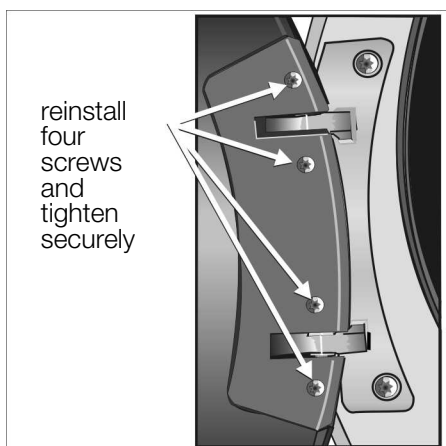
Right Hand to Left Hand

24. Reattach the door hinge to the dryer housing at the left side of the dryer door opening. Tighten both screws completely, making sure they hold the hinge securely.

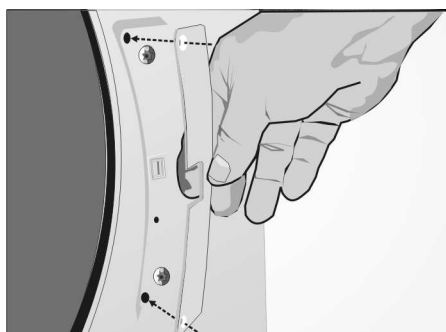
25. The door is now ready to be mounted back on the dryer.
26. Reinstall the dryer door by sliding it onto the hinge pins. Avoid allowing the four plastic bushings to fall off the hinge pins. If any fall off, reinstall them on the hinge pins prior to reinstalling the dryer door.



27. Reinstall the hinge cover plate removed in step 4. Insert and tighten the 4 screws holding the hinge cover plate in place.



28. Install the plastic cover plate over the original hinge position at the right hand side of the dryer door opening. Insert and tighten the two screws holding the plate in place.



29. Test that the door opens and closes properly. The door should latch securely. The hinge reversal process is complete.

Minimum Distances

Important information concerning minimum distances:

- Depending on the location of the exhaust air connection, an additional minimum distance of 5½ inch (14 cm) must be provided on this side, the side the connection is on, for ducts/brackets (see page 19).
- Benefits of maintaining greater distance (clearances) than the minimum shown include:
 - more air cools the dryer, keeps the dryer from overheating, and improves drying performance.
 - reduction of the risk of mold formation behind the appliance.
 - reduced noise transmission
 - facilitation of installation and service.
- If the dryer is installed in a small room, the doors of the room must be fitted with vents of the specified minimum size. Refer to the following illustrations of enclosed installations for additional information.
- Allow additional clearance for door, wall and window molding where necessary.

Installation Types

Observe the following minimum clearances between the dryer and adjacent surfaces for all installation types.

Minimum Installation Clearances

A Sides	0.25 in. (6.4 mm)
B Top	0.25 in. (6.4 mm)
C Rear*	5.25 in. (13.4 cm)
D Front	0.50 in. (12.8 mm)

* as close to wall as venting or water connection will allow. If installed with a washer, the larger rear clearance for dryer venting is required for the laundry pair.

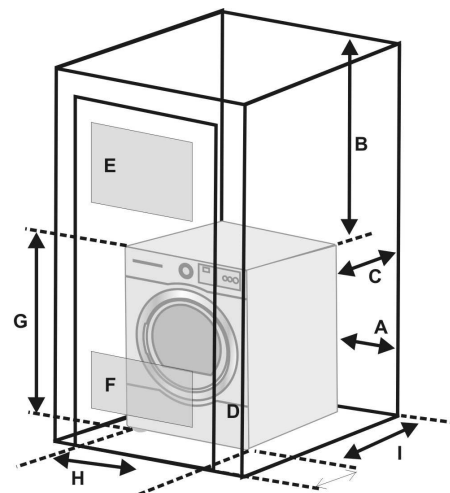
- ❑ Units are designed so that the dryer can be stacked on top of the washer using one of the stacking kits shown on page 19.
- ❑ Units are designed to allow for under-counter installation See required dimensions in under-

counter installation section on page 12.

Height measurements shown in this section are with the dryer feet at minimum extension (turned in all the way up against the base of the dryer).

Recessed or Closet

Dimensions for installation in a closet or recessed area are shown in the illustration below.



Closet Ventilation Requirements

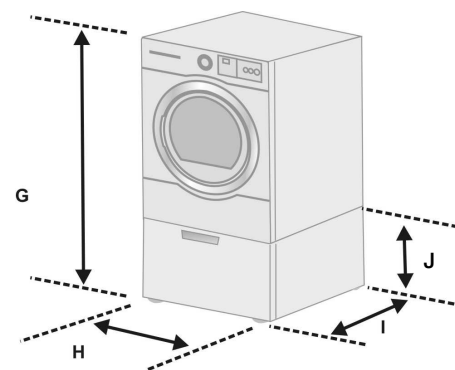
E Top	48 sq. in. (310 sq. cm)
F Bottom	24 sq. in. (155 sq. cm)

Required Installation Space

G Height	37.25 in. (94.6 cm)
H Width	27.50 in. (69.9 cm)
I Depth	37.25 in. (94.6 cm)

Mounted on Pedestal

Dimensions for pedestal mounting installation are shown in the illustration below.

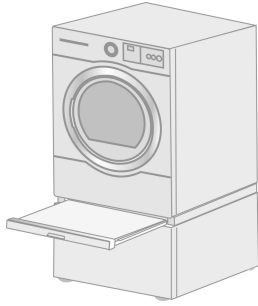


Required Installation Space

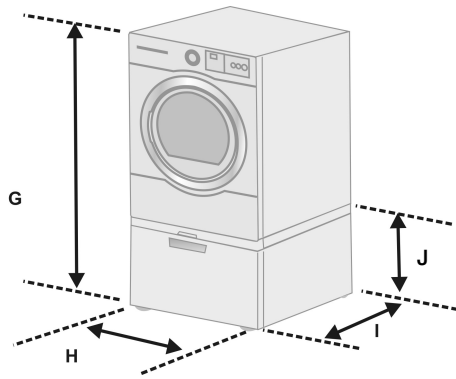
G Height	52.25 in. (132.7 cm)
H Width	27.50 in. (69.9 cm)
I Depth	37.25 in. (94.6 cm)
J Pedestal Ht.	15.0 in. (38.1 cm)

i Appliance must not be mounted on a pedestal for under counter installations.

Pedestal With Pull-Out Shelf



Dimensions for pedestal and pull-out shelf installation are shown in the illustration below.



Required Installation Space

G Height	53.75 in. (136.5 cm)
H Width	27.50 in. (69.9 cm)
I Depth	37.25 in. (94.6 cm)
J Pedestal ht.	15.0 in. (38.1 cm)

i Appliance must not be mounted on a pedestal for under counter installations.

Stacked Washer and Dryer

! WARNING

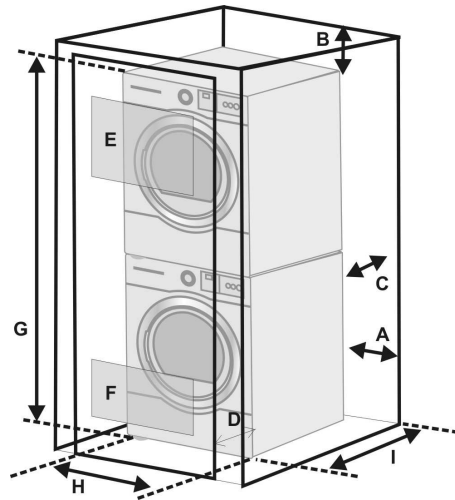
Risk of personal injury or death. **DO NOT** stack the dryer on top of the washer without the use of one of the stacking kit accessories listed in this manual.

Dimensions for stacked installation are shown in the illustration below.

There are two stacking kits available for stacking the dryer on top of the washer. See the "Accessories" section on page 19.

! WARNING

More than two people are recommended to lift the dryer into position because of its weight and size. Failure to do so could result in personal injury or death.



Clearance dimensions A through D are found on page 11.

Closet Ventilation Requirements

E Top	48 sq. in. (310 sq. cm)
F Bottom	24 sq. in. (155 sq. cm)

Required Installation Space

G Height*	74.50 in. (189.3 cm)
* with basic stacking kit	
Height**	76.02 in. (193.1 cm)
** with pull-out shelf stacking kit	
H Width	27.50 in. (69.9 cm)
I Depth	37.25 in. (94.6 cm)

! WARNING

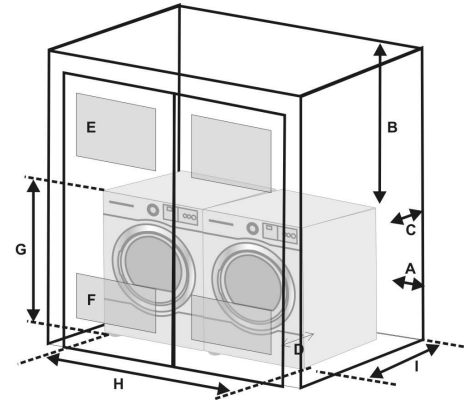
Appliance must not be mounted on a pedestal for stacked installations.

The washer must not be stacked on top of the dryer. Serious injury and damage may result.

i Utilize care in sliding the stacked washer and dryer units into place. See the stacking kit installation instructions for further information.

Side by Side

Dimensions for side by side recessed or closet installation are shown in the illustration below.



Clearance dimensions A through D are found on page 11.

Closet Ventilation Requirements

E Top	48 sq. in. (310 sq. cm)
F Bottom	24 sq. in. (155 sq. cm)

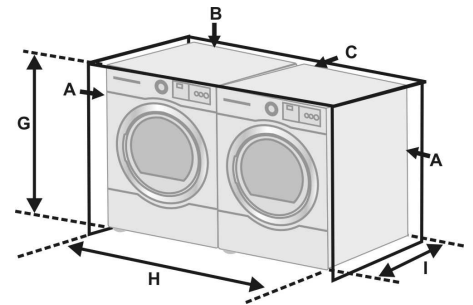
Required Installation Space

G Height	37.25 in. (94.6 cm)
H Width	54.75 in. (139.1 cm)
I Depth	37.25 in. (94.6 cm)

Height Requirement if mounted on a pedestal 52.25 in. (132.7 cm)

Under-Counter

Dimensions for under-counter installation are shown in the illustration below.



Clearance dimensions A through D are found on page 11.

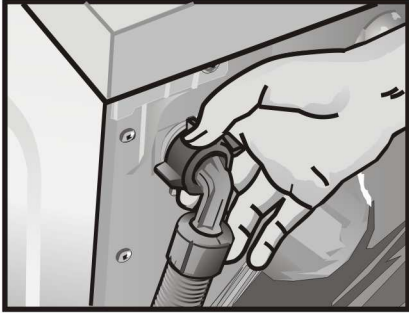
Required Installation Space

G Height	37.25 in. (94.6 cm)
H Width	27.50 in. (69.9 cm)
Width*	54.75 in. (139.1 cm)
* washer and dryer side by side	
I Depth	37.25 in. (94.6 cm)

i Appliance must not be mounted on a pedestal for under-counter installations.

Water Connection

This section applies only to dryers with a water connection. The connection is found at the top back of 500 and 800 Series Dryers with the Steam logo on the panel.



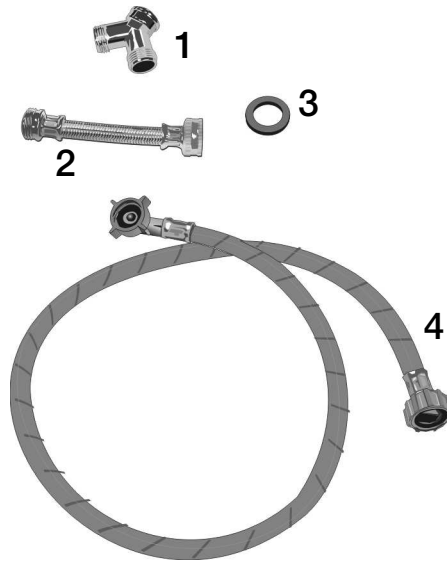
Attach the dryer water supply hose to a cold water faucet (the faucet must be located within 4 ft (1.2 m) of the water inlet valve on the back of the dryer).

It is recommended to have a water supply pressure of 20 – 100 psi (1.37 – 6.89 bar) for best performance.

Since most connections will share the cold water faucet used by the clothes washer, a “Y” connector is provided along with a short hose (if needed) in order to connect the water supply hose to the cold water faucet.

Steam Dryer Parts Supplied

The following parts are included with the shipment of your dryer:

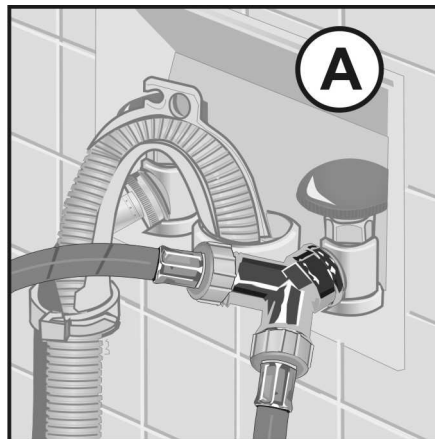


1. “Y” connector
2. Short metal–braided inlet hose
3. Rubber washer (inserted in female end of short inlet hose, shown separately here for purposes of clarity)
4. water supply hose

Connecting the Water Inlet Hose

i The dryer must be connected to the “Y” connector using the water supply hose provided. Do not use an old hose.

1. Turn off the cold water tap and remove the washer water supply hose from the tap.



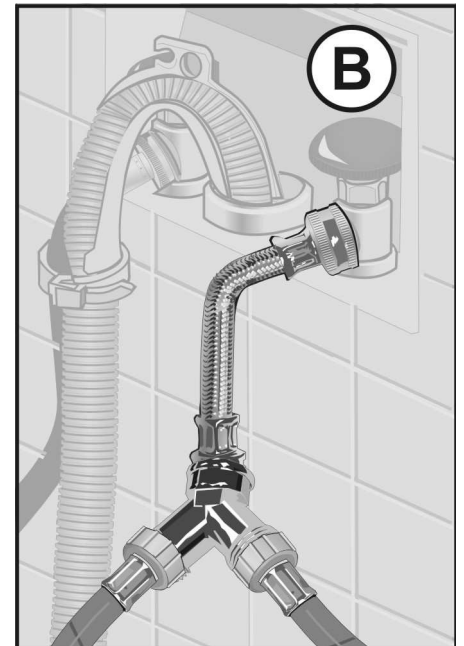
2. Check to be sure that the rubber washer is fully inserted and seated in the female end of the short hose prior to continuing. The rubber washer is shown as item 3 in the

supplied parts illustration. It is illustrated separately from the hose for clarity.

3. If space permits, attach the internally threaded (female) end of the “Y” connector directly to the cold water faucet (option **A** as shown in the illustration above) and continue to step 6.

For optional Installation with Y Connector

If the “Y” connector cannot be attached directly, use the short hose provided to connect the “Y” connector to the cold water faucet (option **B** as shown in the illustration below), and continue with steps 4 through 5.



4. Attach the short hose to the cold water faucet. Tighten the connection by hand until the coupling is seated on the faucet.
5. Use pliers to tighten the connection an additional two-thirds turn.



i Do not overtighten. Damage to the coupling could result.

6. Attach the “Y” adapter to the short hose. Tighten the coupling (by hand) until it is firmly seated on the hose.

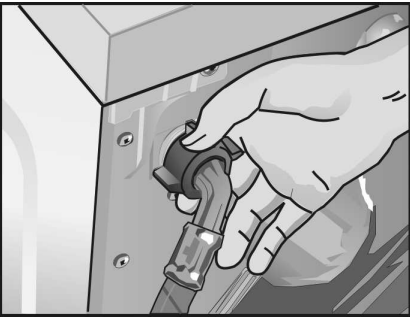
i Do not use pliers to tighten plastic threaded fittings onto plastic or metal threaded connections.

7. Attach the washer cold water supply hose to the “Y” connector. Hand tighten only.

8. Attach the dryer water supply hose to the other coupling of the “Y” connector. Hand tighten only.

9. Tighten only metal-to-metal couplings on the “Y” connector and short hose an additional two-thirds turn using pliers.

i Do not overtighten. Damage to the coupling could result.



10. Attach the right-angle connector on the water supply hose to the inlet valve located at the top left of the dryer.

i Check to see that the rubber washer does not fall out, and is properly seated in the right-angle connector.

11. **Hand tighten** the coupling until it is seated on the connector. **Do not use pliers**, hand tighten only.

i Do not overtighten. Damage to the coupling could result.

12. Turn on the water faucet.

13. Check for leaks around the “Y” connector, faucet and all hoses.

Electrical Connection



WARNING

Power cord must be connected by a qualified technician or a licensed electrician only.

Connect to individual branch circuit.

Do not use an adapter.

Do not use an extension cord.

Do not remove ground prong.

Your dryer comes without a power supply cord. The power cord must meet the following requirements:

- UL listed in the USA
- 240 volt rated (minimum)
- 30 amps
- Type SRDT or DRT and marked for use with clothes dryers
- Five feet long (minimum)



WARNING

Power cord must be connected by a qualified technician or a licensed electrician only.

Use only a U.L. approved 30 amp power cord with strain relief clamp – note manufacturer’s instructions.

Do not reuse old power cord. Cord must have closed loop or upturned end wire terminating connectors.

Do not make a sharp bend or crimp wiring/conductor at connections.

Only a 4-conductor cord shall be used when the appliance is installed in a mobile home, in a recreational vehicle, in a new branch circuit installation or an area where the local codes do not permit grounding through the neutral.

Additional grounding procedure

- Some local regulations may require a separate ground. In such cases, the required accessory ground wire, clamp and screw must be purchased separately. Contact your local dealer or customer service for additional details (see page 32).
- Never ground the dryer to plastic plumbing lines, gas lines or water pipes.

Grounding instruction

This appliance must be grounded. In the event of a malfunction or breakdown, grounding will reduce the risk of electric shock by providing a path of least resistance for the electric current.

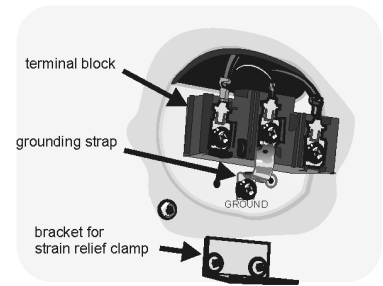
Connecting the Power Supply (3 wire & 4 wire)



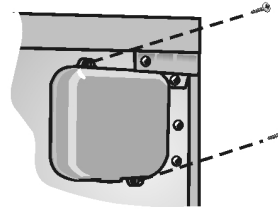
WARNING

Improper connection of the equipment grounding conductor may result in electric shock. Have the appliance checked by a qualified technician or licensed electrician if you are in doubt as to whether the dryer has been properly grounded.

Do not plug the end of the power cord into a live receptacle before connecting power cord to appliance terminals and closing the junction/splitter box as described below.



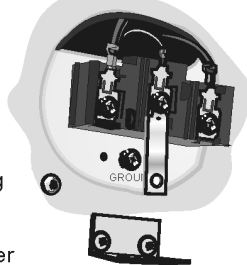
- 1** Remove the two screws from the terminal block cover located at the top rear of the appliance. This will expose the terminal block assembly.



4 wire installation

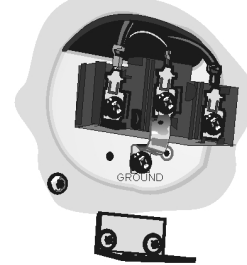
- 2** Loosen the bottom screw of the grounding strap. Straighten the grounding strap so it is vertical. Replace the green screw in the GROUND terminal hole.

i Make sure the grounding strap does not touch the back panel to avoid tripping the circuit breaker during dryer operation.

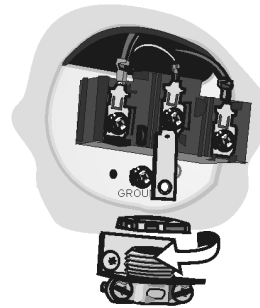


3 wire installation

- 2** Make sure that there is a grounding strap in place. The illustration shows the grounding strap properly positioned, with the green screw fastened to the ground terminal.

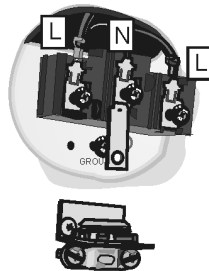


- 3** Fix a strain relief clamp (available from an electrical or building supply outlet) to the angle bracket. Tighten the nut to firmly fix the clamp in place.



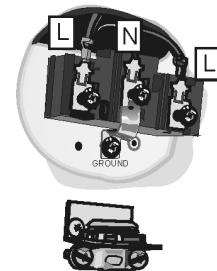
4 wire installation

- 4** Loosen the 2 screws labeled L and the single screw labeled N on the terminal block. Also loosen the screw on the GROUND terminal.



3 wire installation

- 4** Loosen the 2 screws labeled L and the single screw labeled N on the terminal block.

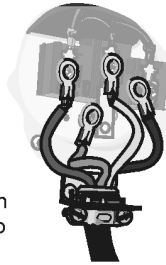


Continued on the next page

4 wire installation

- 5** Thread the 4-wire cable through the strain relief clamp. Tighten the strain relief clamp screws (2.5 Nm) so that the power cord cannot be moved.

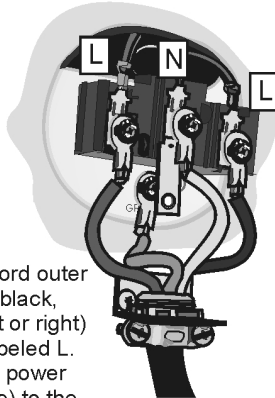
i This will hold the power cord in place and will make it easier to correctly install the terminal screws.



- 6** Attach the power cord ground conductor (green) to the GROUND terminal. Tighten the screw (2.5 Nm) so that the ground conductor is held securely in place.

Attach the 2 power cord outer conductors (red and black, either one can go left or right) on the 2 terminals labeled L. Attach the remaining power cord conductor (white) to the terminal labeled N.

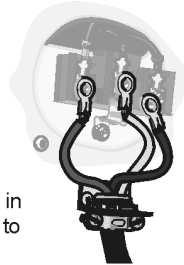
i Make sure the terminal screws align properly with the terminal nuts to avoid stripping the threads.



3 wire installation

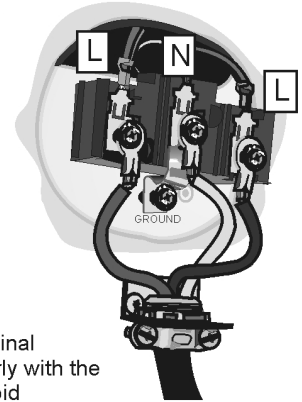
- 5** Thread the 3-wire cable through the strain relief clamp. Tighten the strain relief clamp screws (2.5 Nm) so that the power cord cannot be moved.

i This will hold the power cord in place and will make it easier to correctly install the terminal screws.



- 6** Attach the 2 power cord outer conductors (red and black, either one can go left or right) on the 2 terminals labeled L. Attach the remaining power cord conductor (white) to the terminal labeled N.

i Make sure the terminal screws align properly with the terminal nuts to avoid stripping the threads.



- 7** Tighten all 3 terminal screws (3 Nm) so that each of the wires is held securely in place.



WARNING

After tightening the screws, test to see that the terminals are held securely in place to assure proper electrical connection, otherwise a hazardous condition could result.

- 8** Check the strain relief clamp to make sure that it is tight and cannot be turned.

- 9** Replace the cover on the terminal block and fasten it in place.

i Make sure the strain relief clamp is outside the cover!

- 10** The appliance is now ready to be plugged into a properly rated receptacle.

Exhaust air connection

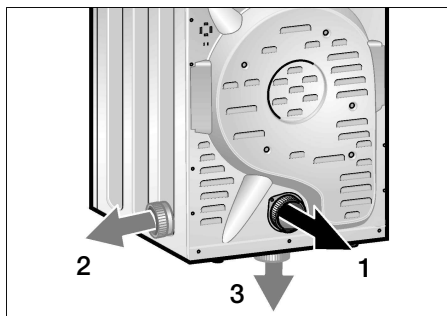
The following warnings must be adhered to without exception.

WARNING

1. To reduce the risk of fire, this dryer **MUST BE EXHAUSTED OUTDOORS**.
2. To reduce the risk of fire, do not use ductwork longer than recommended. Refer to the maximum ductwork length table (see page 18).
3. **DO NOT** use a plastic, metal foil, or any other non-metal duct with this dryer. Only rigid or flexible metal duct shall be used for exhausting. Metal foil and flexible metal ducting are **NOT** the same.
4. **DO NOT** use more than 2.4 m of flexible metal ducting.
5. **DO NOT** use a duct smaller than 4 inches (101.6mm) in diameter.
6. **DO NOT** exhaust the dryer into: a chimney, wall, ceiling, concealed space of a building, furnace, cold air duct, attic, crawl space, or any other ductwork used for venting.
7. **DO NOT** install a flexible duct in an enclosed wall, ceiling or floor.
8. **DO NOT** crush or kink the duct.
9. Do clean and inspect the exhaust system on a regular basis; at least once a year.
10. The exhaust duct must terminate with an approved exhaust vent hood to prevent back drafts or entry of birds or other wildlife.
11. **DO NOT** use exhaust hoods with magnetic latches.
12. **DO NOT** assemble the duct work with screws or fasteners that extend into the duct. They serve as an accumulation point for lint. Joints should be secured with aluminum tape.
13. **DO NOT** use a DEDPV (booster fan) device with this appliance.

Exhaust air outlet on the dryer

The dryer is delivered with an exhaust air outlet on the rear of the appliance. Alternative exhaust duct connection options are illustrated below. Select one of these options to make best use of the space available or an existing exhaust ductwork system.



- 1 – Exhaust air outlet on the rear of the appliance (standard)
- 2 – Exhaust air outlet on the side (optional)
- 3 – Exhaust air outlet on the underside of the appliance (optional)

Special exhaust air connections can be obtained from your dealer, part supplier or customer service for either connection type (see page 19).

- Side exhaust kit
- Bottom exhaust kit

A qualified technician should change the exhaust air outlet to the optional connection location.

Ductwork

The dryer vent system moves moist air away as your clothes tumble dry. You can shorten drying times, save energy and help ensure the safety of the system by making sure your dryer's exhaust duct system is properly installed and maintained.

Important Points to Consider:

- ❑ Keep exhaust duct runs (total length of the exhaust duct system from the dryer to the exhaust hood outside) as short as possible (refer to the table "Maximum Ductwork Length" on page 18.)
- ❑ Use the minimum number of elbows needed when installing the exhaust duct system. Avoid placing two 90 degree elbows adjacent to one another.

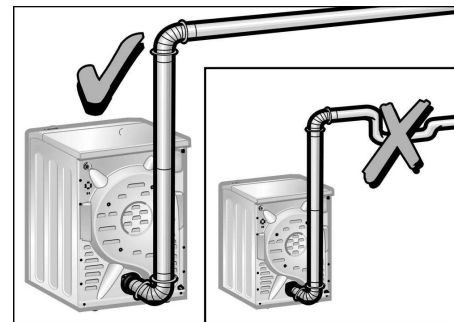
- ❑ Check and clean the exhaust duct system and exhaust hood at least once each year, and any time you suspect dryer performance is decreased.

Remove accumulated lint to prevent diminished air flow or clogging of the system. Professional cleaning is recommended annually and when attaching your dryer to a previously used exhaust duct system.

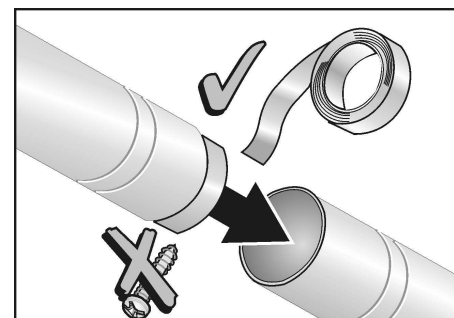
- ❑ Replace any plastic or metal foil venting sections with rigid metal or flexible metal ducting. Rigid metal ducting is recommended.

i Correct exhaust system installation is the responsibility of the consumer.

i **Problems that result from incorrect installation are not covered by the appliance warranty.**



Exhaust ducting which is longer than specified in the maximum ductwork length table on page 18 is not permitted. Not adhering to this table will extend drying time, cause lint to accumulate and affect dryer performance and life-time.



All joints should be tight to avoid leaks. The male end of each duct section must point away from the dryer. Whether connecting to an existing venting system or a new venting

system, make sure that all ducting is clean and free of lint.

The maximum permitted length for rigid duct and for rigid duct used with flexible metal duct is shown in the table below. If using flexible metal ducting to connect the appliance to the ductwork system, the total length of flexible metal duct used shall not exceed 2.4 m and can only be used to connect the dryer to the ductwork system. As the table below shows, the maximum overall ductwork length is reduced if flexible ducting is used.

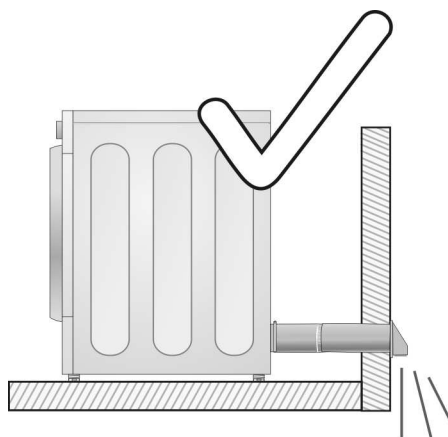
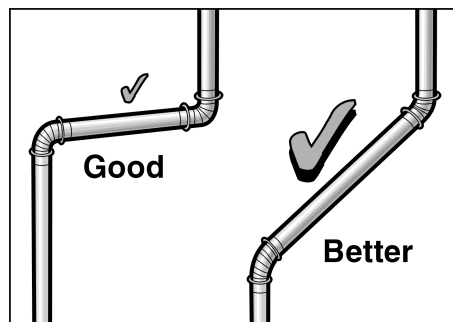
Maximum Ductwork Length

Number of 90° Turns or Elbows	Rigid Duct	Flexible Duct in Combination with Rigid Duct
0	66 ft. (2011 cm)	45 ft. (1372 cm)
1	56 ft. (1707 cm)	36 ft. (1097 cm)
2	48 ft. (1463 cm)	29 ft. (884 cm)
3	39 ft. (1189 cm)	22 ft. (671 cm)
4	30 ft. (914 cm)	16 ft. (488 cm)

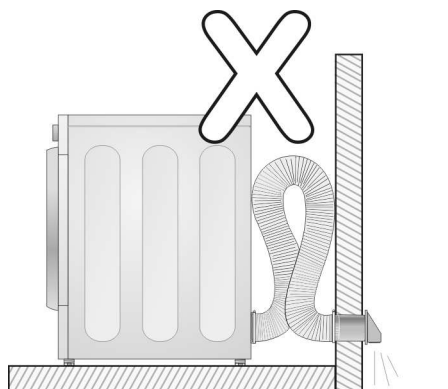
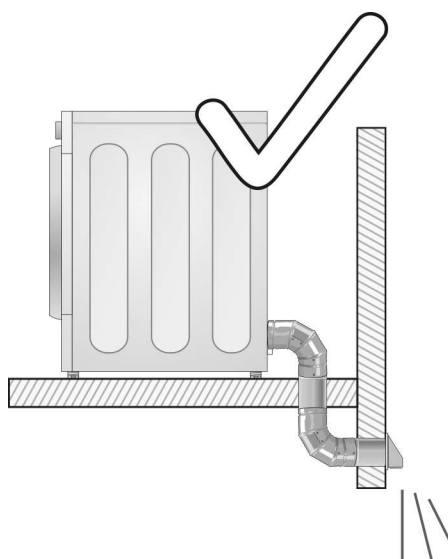
Note:

Side and bottom exhaust installations have a 90° turn inside the dryer. Take this into account when using the table above.

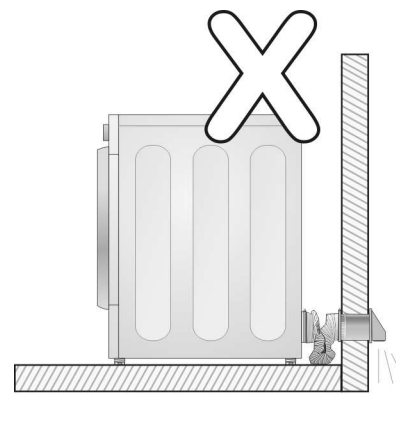
The use of more than two 90° turns is not recommended. For best performance, separate all turns by at least 4 ft. of straight duct, including distance between last turn and exhaust hood.



Keep exhaust ductwork as short and as straight as practical. This will increase air flow and result in shorter drying times.



Do not allow exhaust ductwork to be longer than necessary. Longer ductwork will reduce airflow and will result in longer drying times.

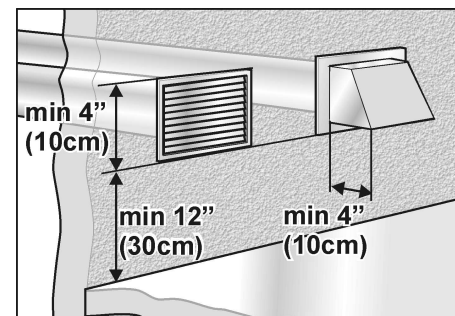


Do not allow exhaust ductwork to be crushed or otherwise constricted. Constricted ductwork will reduce airflow and result in longer drying times. Constricted ductwork could reduce exhaust airflow enough to cause an error condition, halting the dryer cycle. Check to be sure the exhaust duct is not crushed or constricted.

Exhaust vent hood

The exhaust duct must end with an approved exhaust vent hood with swing out damper(s). DO NOT use an exhaust vent hood with magnetic latches.

To avoid exhaust restriction, the outlet must be a minimum of 12 inches (30 cm) above ground level or any other obstructing surface.



Required Ductwork Parts

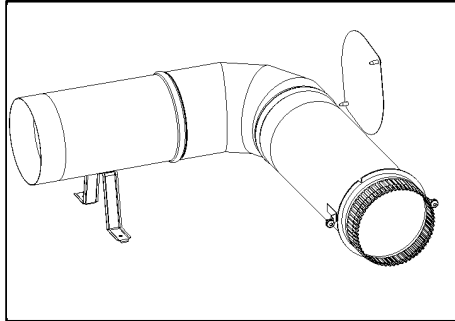
The parts required for the exhaust air system (elbows, lines, exhaust air outlets) are not included in standard delivery of the dryer (see the Accessories section for information on ordering parts.)

Professional installation of ductwork is recommended.

Accessories

The following optional accessories for your dryer may be obtained from customer service (see page 32) or from your local dealer. Please follow the installation instructions supplied by the appropriate manufacturer.

Side exhaust kit

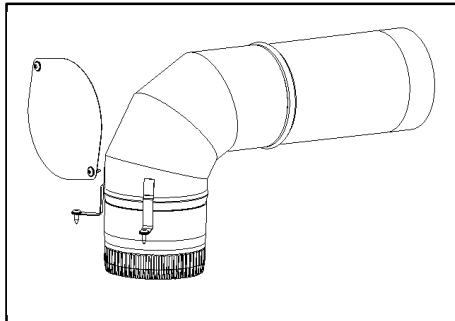


part no. **WTZ 1265**

Note:

See notes on maximum number of elbows on page 18.

Bottom exhaust kit



part no. **WTZ 1270**

Note:

See notes on maximum number of elbows on page 18.

i The bottom exhaust kit cannot be used with a pedestal installed on the dryer or if the dryer is stacked with the washer.

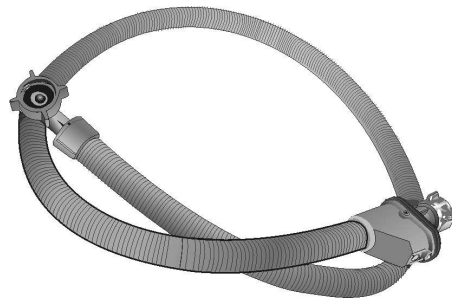
Dryer rack



part no. **WTZ1620**

Use the dryer rack to dry washable woolen textiles (e.g. sweaters) and shoes.

Aquastop™ Hose



part no. **WTZ1630**

The Aquastop™ hose is an external containment technology that prevents potential flooding if the hose leaks. If the Aquastop™ hose leaks, a red mark is displayed and the water inlet is blocked. An Aquastop™ hose that has activated cannot be reset. The kit includes one Aquastop™ hose.

Pedestal Mounting Kit

A storage pedestal with a pull-out drawer is available as an accessory for your dryer. The pedestal adds approximately 15 inches to the height of the dryer. See page 11 for dimensions.



WARNING

Appliance must not be mounted on a pedestal in stacked installations.

part no. **WTZ 1610** is for a solid white color pedestal.

Other color pedestals may be available.

Reference part no. WTZ 1610“X” in which the X designates an available color (eg: A for Anthracite, S for silver). Please inquire at your dealer for color choices available.

You may also consult a current product catalog or visit our website at: www.boschappliances.com

If mounting the dryer on a pedestal, follow the instructions supplied with the pedestal.

Stacking Kits

There are two stacking kits available.

Basic Stacking Kit

This kit anchors the dryer on top of the washer and adds approximately 0.63 inches (16 mm) to the stacked height. See page 12 for dimensions.

part no. **WTZ 1601** is for the basic mechanical stacking kit.

Pull-Out Shelf Stacking Kit

This kit serves to stack the dryer on top of the washer and also provides a pull-out shelf. This kit adds approximately 1.52 inches (38.6 mm) to the stacked washer/dryer height. See page 12 for dimensions.

This kit may also be combined with the pedestal mounting kit to provide a pull-out shelf as well as a combined increase in height of the dryer of approximately 16.5 inches.

i The pedestal can not be combined with the pull-out shelf stacking kit in stacked washer/dryer installations.

part no. **WTZ 1600** is for the solid white pull-out shelf stacking kit.

Other color pull-out shelf stacking kits may be available.

Reference part no. WTZ 1600“X” in which the X designates an available color (eg: A for Anthracite, S for silver). Please inquire at your dealer for color choices available.

Preparing to transport the dryer – step by step

i These procedures should only be performed by a qualified person.

1. Rotate the program selector to “OFF”.
2. Disconnect the power supply (turn the circuit breaker off, unplug the appliance)
3. Turn off the water faucet connected to the water supply hose (Steam models only). Disconnect the water supply hose.
4. Disconnect the exhaust duct from the exhaust air outlet on the dryer.
5. Collect any accessories and package them for shipment with the appliance.
6. Close the door and secure with adhesive tape.
7. Screw the height-adjustable feet of the dryer into the housing to prevent them from being damaged during transportation.
8. **Reinstallation of the Dryer at the New Location** – refer to the Installation Instructions in this manual (see page 7).

OPERATING INSTRUCTIONS

Before using



WARNING

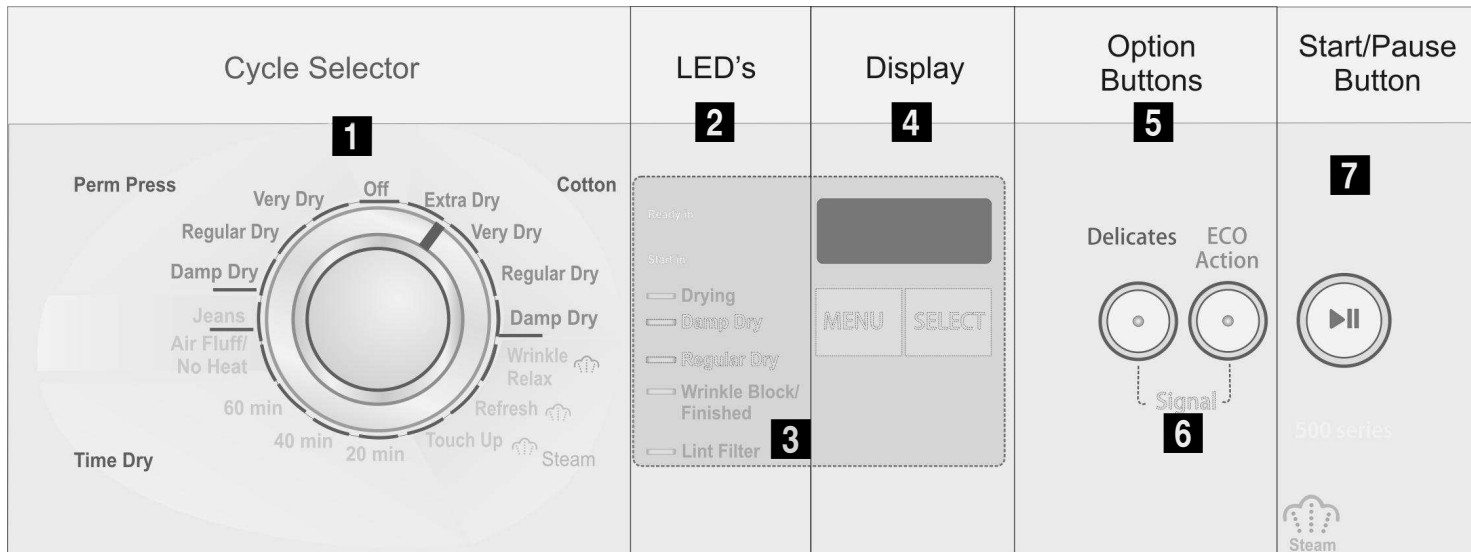
To reduce the risk of fire, electric shock, or injury to persons, read the **IMPORTANT SAFETY INSTRUCTIONS** before operating this appliance.



WARNING

Before using your dryer, read and follow all installation and operating instructions.

Panel



1 Cycle Selector

Switches the machine on and off and selects the program (see page 22). Can be turned in both directions.

To switch off the dryer, rotate the cycle selector to “Off”.

2 LED Indicator Lights

LED'S light up in sequence to show the current moisture state of the drying process.

Wrinkle Block®/Finished – at the end of the drying cycle an acoustic signal sounds and the Wrinkle Block®/Finished LED lights up. The drum rotates at specific intervals for one hour to prevent the laundry from creasing (see page 23).

3 Lint Filter LED

Blinks as a reminder to clean the lint filter after use. Blinks for 10 seconds when the door is opened after a cycle ends, or in the event airflow is reduced enough to create a “CLn” or “E:12” error (see troubleshooting guide, page 30).

4 Display

300 and 500 Series

LED countdown indicates the estimated remaining time of a running cycle (in minutes).

800 Series

Indicates the settings of additional options and the estimated remaining time of programs. (See page 25)

Additional Options

Menu selects one of the additional options

Select changes the settings of the selected option

5 Option buttons

Add functions to the cycle selected. The option button LED is lit when the option is selected. Press the option button again to turn the option off (LED turns off).

Delicates: Press for temperature-sensitive textiles (e.g. acrylic fibers). The temperature of the drying process is reduced, the drying time is extended correspondingly.

ECOAction: Press for additional energy savings (use only for cotton and permanent press cycles). Press the option button prior to starting an automatic cycle.

6 Signal

300 and 500 Series

Press both option buttons at the same time to enable the acoustic signal. When the cycle is finished, an audible beeping tone will be emitted (see page 22). Press both buttons again to disable the signal.

800 Series

The 800 Series signal is set using the LCD menu (see page 25).

7 Start/Pause Button

Starts, interrupts and ends the drying process.

Start/Pause LED Status

Lit Red: Program is running and “Pause” can be activated.

Blinking: Settings can be changed, the drying cycle can be started, or program is in “Pause” mode.

Not Lit: Cycle is finished or there is no cycle selected.

Additional Safety Information



WARNING

Always follow the IMPORTANT SAFETY INSTRUCTIONS (see page 5).

Protection of the environment

Tips on saving energy

To save energy, money and time, Bosch recommends the following:

- **Drain the laundry thoroughly!**
Before drying, spin the laundry thoroughly in the washing machine. Use the highest possible spin speed for the type of laundry! Higher washer spin speeds reduce residual moisture and decrease drying time and energy consumption.
- **Use optimum load!**
Use larger loads, up to the maximum recommended loads for the cycle and laundry type. However, do not exceed maximum recommended load capacity.
- **Clean the lint filter!**
Check the lint filter before using the dryer each time and clean the filter as needed. Making sure the lint filter is clean before beginning each drying load results in improved airflow and reduced drying time. (see page 27)
- **Ventilate the room!**
Provide an adequate supply of fresh air during the drying process.
- **Do not dry unsuitable materials!**
Do not dry rubberized or air-tight items.
- **Clean and inspect the exhaust system on a regular basis!**
Blockages may extend drying time or may cause the dryer to malfunction.

Temporary disconnection of the dryer

Operate your dryer only when you are at home. If you plan to go on vacation or are not using your dryer for an extended period of time, you should:

1. Turn off the circuit breaker.
2. Unplug the power supply plug if possible.
3. Clean the lint filter.
4. Turn off the water supply (applies only to Steam dryers).

Laundry

Identification of fabrics

Observe the treatment symbols on the textile labels. They provide valuable information as well as limitations about the drying process.

Do not dry the following textiles in the dryer:

- Air-tight textiles (e.g. rubberized)
- Delicate fabrics (silk, synthetic curtains)

i Dry woolen or wool-rich textiles with the dryer rack only!

i Use the time program “Air fluff/No heat” to dry articles containing foam rubber or similarly textured rubber-like materials.

Drying tips

In principle, the following applies to all drying programs:

- To ensure a uniform drying result, sort the laundry according to fabric type and drying cycle selected.
- Fasten zippers, hooks and eyes, loose belts, apron strings, etc.
- Do not overdry easy-care laundry to reduce the risk of wrinkling! Hang laundry up promptly to dry in the air.
- Do not iron laundry immediately after drying. Place the laundry in a pile for a short while. Residual moisture will then be distributed uniformly.
- Knit textiles (e.g. T-shirts, sweatshirts, and other similar types of laundry) often shrink when dried for the first time. Do not use the “Very dry/Extra dry” cycles the first time you dry these types of laundry to reduce potential shrinkage.

Some items such as these can also shrink during later laundering. Use caution in cycle selection to avoid shrinkage.

Cycle selection

For optimum drying results your dryer offers several cycle groups and additional options.

Automatic cycles include Regular/Cotton and Permanent press. Cycle selection is based in part on the laundry fabric type. These cycles are controlled via moisture sensors. Cycle time is determined by the measured degree of moisture in the laundry and on the degree of dryness selected (e.g. Damp dry, Regular Dry, Extra Dry).

Time cycles run for a length of time specified by the user. The Air fluff/No heat timed cycle uses ambient air (room temperature) without adding heat and runs for approximately 20 minutes, depending on the specific dryer model.

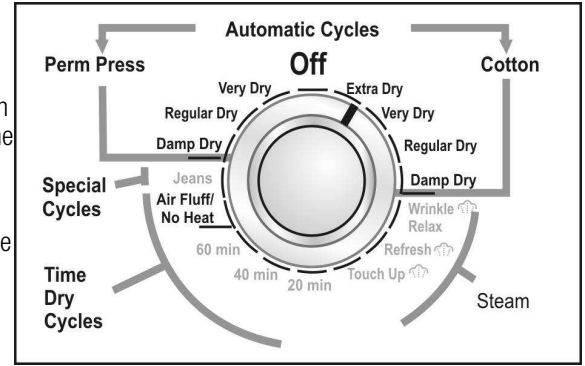
Special cycles are custom designed for specific types of fabric such as wool or jeans. **Wool or woolen products should only be dried using the dryer rack.**

Steam cycles are best suited for smoothing out wrinkles and reducing odors. These cycles should be used with loads consisting of three to four items made of wrinkle free cotton, cotton/polyester blend, cotton knit pullovers or synthetics. **Steam** programs are available only on select models.

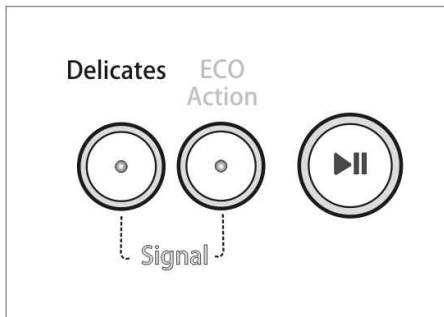
During Steam cycles a small amount of water is sprayed into the drum while tumbling the laundry load with heat. This process is repeated, followed by additional tumbling and a brief cool down period. The heat level and time are preset for these cycles.

Note: Results may vary with fabric type. Garments that are 100% cotton and have wrinkle-resistant finish may give better results.

If the nozzle stops spraying during one of the **Steam** cycles (symptoms would be water is not seen spraying into drum, clothes are less wrinkle-free than they customarily are with this function) check to be sure the nozzle is not clogged. Lint may accumulate to block the nozzle tip or hard water may cause buildup on the nozzle (see page 29).



Option Buttons



Delicates

Press the "Delicates" button for temperature sensitive textiles. Observe the care information or symbols on the textiles. The temperature of the drying process is reduced and the drying time is extended by using this option.

ECOAction

Your dryer has an "energy savings" ECO option. This option is used only with cotton and permanent press automatic cycles. Less heat is applied, and drying time is extended. Press the option button prior to starting an automatic program.

i The length of the ECO cycle is affected by the load size, textile type and climatic conditions. Use this option with load sizes up to 1/2 load.

i Combining with the "Delicates" button can produce even more savings.

Signal

300 and 500 Series Dryers

Your dryer outputs an audible beeping signal to alert the user of certain events. Enable the signal by pressing the "Delicates" and the "ECOAction" option buttons simultaneously.

To disable the signal, press both option buttons (again pressing both at the same time). Each press of the two option buttons together toggles the Signal on or off.

It is not necessary to hold the buttons in after pressing them.

The signal emitted will vary according to the following table.

Signal	Type
Start	Short tone
End	Sequence of short tones
Incorrect Selection	Sequence of long tones
Warning of malfunction	Sequence of long tones

i The signal "Warning of malfunction" is active regardless of whether or not the signal has been disabled.

LED Indicators of Cycle Sequence

The dryer uses an electronic scanning system for all cycles except the time cycles. A moisture sensor continuously checks the moisture in the laundry. Drying ends automatically as soon as the selected degree of dryness has been reached.

The current degree of drying is represented by LED indicator lights. Each light is illuminated in succession as drying progresses.

The LED to the left of “Drying” illuminates when the selected drying cycle begins. On select models, LED lights for “Damp Dry” and “Regular Dry” indicate as each stage is reached.

When the load is finished the LED beside “Wrinkle Block®/Finished” is illuminated.

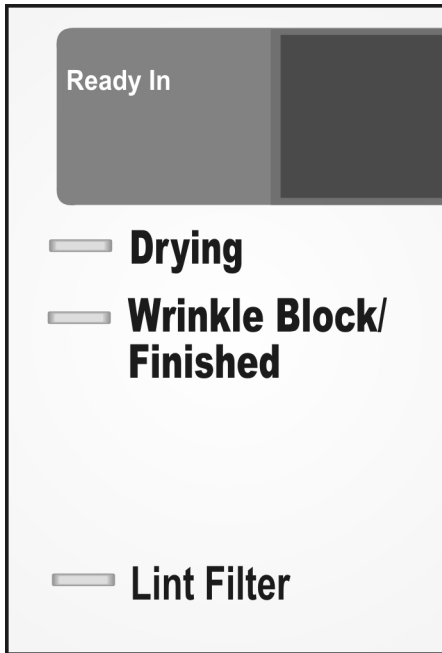
“Wrinkle Block®/Finished”

The drum continues to rotate at specific intervals to help decrease wrinkling of the laundry load. Remove the laundry when the cycle is finished, or within the Wrinkle Block® period for best results.

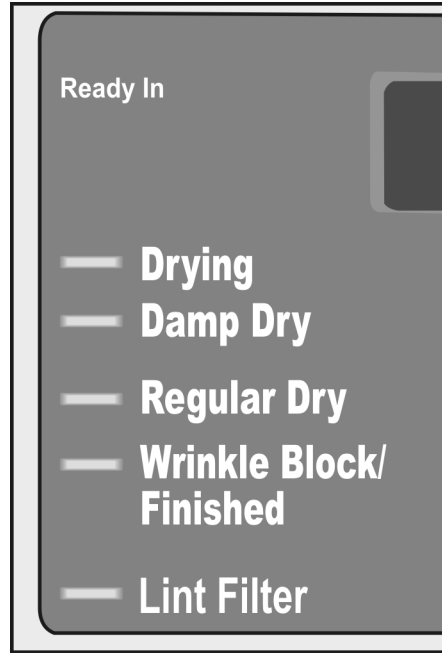
Wrinkle Block® begins when the drying phase ends for every cycle except the wool cycle. Following the end of a drying cycle, Wrinkle Block® turns the drum for about 16 seconds every two minutes for the first 10 minutes, then about 16 seconds every 5 minutes for the next 50 minutes.

LED Indicators Vary by Model

300 Series Dryer LED's



500 Series Dryer LED's



800 Series Dryer LED's



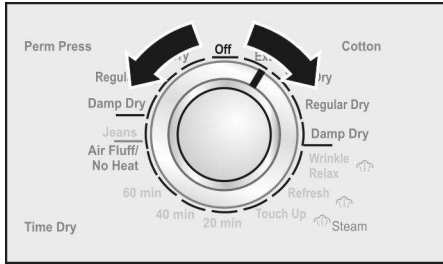
i If any LED or button is illuminated on the panel when the cycle selector is turned to the “Off” position, please turn off the circuit breaker and call customer service.

Cycle Selection Table

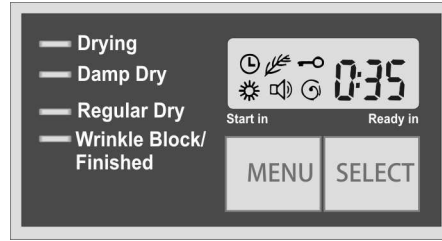
Automatic Programs		
Cotton		
For Cottons and coloreds made of cotton or linen. Press the “Delicates” option button for temperature-sensitive textiles.		
Damp dry	Bed linen, table linen, towels	to be ironed
	Bed linen and table linen, towels, T-shirts, sports shirts, overalls	
	T-shirts, sports shirts, dresses, trousers, overalls, underwear	
Regular dry	Terry towels, kitchen towels, hand towels, bed linen, underwear, cotton socks	not to be ironed
Very dry	Terry towels, kitchen towels, hand towels, bed linen, underwear, cotton socks	not to be ironed, thick multi-ply
Extra dry	Terry bathrobes and terry bed linen,	particularly thick or multi-ply
Permanent Press		
Easy-care (drip-dry) laundry made of synthetic and blended fabric (e.g. cotton/polyester). Press the “Delicates” button for very temperature-sensitive textiles.		
Damp dry	Trousers, dresses, skirts, shirts, blouses, leggings, sports clothing with synthetic-rich fibers, lingerie	to be ironed or only lightly ironed
Regular dry	Shirts, blouses, sports clothing	not to be ironed
Very dry	Bed linen and table linen, track suits, comforters, blankets	not to be ironed, thick multi-ply
Steam Cycles		
Steam Refresh	Cotton, cotton–polyester blends, common knits and synthetic shirts, cotton blend pants, skirts, t–shirts and pullovers. Wrinkle free fabrics give best results. Helps smooth out wrinkles and reduce odors. Use with a light load, such as one consisting of 3 to 4 shirts. Program time is about 16 minutes.	
Steam Wrinkle relax	Helps smooth out wrinkles. Use with a light load, such as one consisting of 3 to 4 shirts. Program time is about 12 minutes.	
Steam Touch up	This program is used to refresh a cotton textile load that has been dried and has been left in the drum of the dryer at the end of the cycle overnight. This 20 minute program refreshes the load to help smooth out the wrinkles caused by the load pressing down under its own weight.	
	Clothing containing foam, rubber, or plastic must be refreshed on a clothes–line or by using the Air–fluff/No heat cycle as these articles may ignite due to the heat of the Steam program.	
Special Programs		
Wool	Washable woolen textiles (e.g. sweaters, woolen pullover, skirts) Dry woolen or wool–rich textiles with dryer rack only!	
Jeans (500 Series)	Heavy jean fabric	
Dark Color (800 Series)	Dark colored textiles (e.g. heavy, dark clothes (cotton))	
Active Wear (800 Series)	Small loads, loads that need a short drying time (e.g. sports shirts, work–out clothes (polyester, nylon, synthetic))	
Time Programs		
20, 40 min., 60 min. (300/500 Series) Medium + required drying time (800 Series) (800 Series) If you choose a program with variable time (e.g. time programs, wool care) the display starts to flash. You have to set the time.	Pre-dried textiles with low moisture content, individual small items, e.g. bath towels, bathing suits, dish cloths. For the smallest loading condition from 0.22 lb – 0.44 lb (i. e. one small towel), for this a time dry program should be selected. Press the “Delicates” button for temperature-sensitive option. – Cottons and coloreds made of cotton or linen.	
Air fluff / No heat (300/500 Series) Air fluff / No heat + required time (800 Series)	Freshening or airing little–worn items of clothing and drying of extremely sensitive textiles. For all textile types including foam rubber (e.g. pillows, stuffed toys), plastic (e.g. shower curtains, table clothes), rubber (e.g. backed rugs), sheer nylon, olefin.	

Additional options 800 Series

i Additional options can only be set after a drying cycle has been selected. Turn the cycle selector to the desired drying cycle, then select desired options from the LCD menu.



Select the option to be changed with the “Menu” button. Press the button to move to the next option on the display. The active symbol flashes.



The setting for the selected option is displayed on the right hand side of the LCD display.

When actively displayed, a setting can be changed with the “Select” button. Press the “Select” button to display the next possible setting.

i Pressing the “Menu” button while an option is displayed saves the new setting.

i If you don't press any button for 10 seconds, the settings are saved automatically.

Symbol	Function	Settings	Explanation														
	Sets the delay start time of the dryer (Start in .. hours!)	0–12 h (0.5 h steps)															
	Extra care (more gentle than “Delicates”)	On/Off	If you have chosen the additional option “Extra care”, the “Delicates” indicator light illuminates. Pressing the “Delicates” button cancels the additional option “Extra care”.														
	Child-proof lock (only effective while the program is running)	On/Off	This additional option allows you to lock your settings to prevent unintended use of the dryer. To start the dryer when the Safety guard is active: Press and hold the “Start/Pause” button for 4 seconds. To unlock this additional option when the dryer is running: Press and hold the “Start/Pause” button for 4 seconds.														
	Extra Drying Time User selectable degree of dryness	0, 1, 2, 3 (0=default, 1=dryer, 3=dryest)	If you have chosen one of the Extra Drying Time values (steps 1 to 3), the symbol ☀ is displayed. 0 is the standard setting – symbol ☀ is not displayed.														
	Volume of the end signal and the damp dry signal	Off, medium, maximum	Your dryer outputs different signals for certain events as listed below.														
<p>Signal Behavior at the End of the Selected Cycle</p> <p>The signal will sound when the cycle is finished to notify the user that the cycle has ended. Wrinkle Block® will tumble the load periodically for approximately one hour after the cycle ends. The signal will sound at intervals during Wrinkle Block® as a reminder the load is finished.</p>			<table border="1"> <thead> <tr> <th>Event</th> <th>Signal</th> </tr> </thead> <tbody> <tr> <td>Enable Signal</td> <td>Short tone</td> </tr> <tr> <td>Disable Signal</td> <td>Two short tones</td> </tr> <tr> <td>Start of Cycle</td> <td>Short tone</td> </tr> <tr> <td>End of Cycle (or during Wrinkle Block)®</td> <td>Sequence of short tones</td> </tr> <tr> <td>Mal-Operation</td> <td>Sequence of long tones</td> </tr> <tr> <td>Warning of Malfunction</td> <td>Sequence of long tones (maximum volume)</td> </tr> </tbody> </table>	Event	Signal	Enable Signal	Short tone	Disable Signal	Two short tones	Start of Cycle	Short tone	End of Cycle (or during Wrinkle Block)®	Sequence of short tones	Mal-Operation	Sequence of long tones	Warning of Malfunction	Sequence of long tones (maximum volume)
			Event	Signal													
			Enable Signal	Short tone													
			Disable Signal	Two short tones													
			Start of Cycle	Short tone													
			End of Cycle (or during Wrinkle Block)®	Sequence of short tones													
Mal-Operation	Sequence of long tones																
Warning of Malfunction	Sequence of long tones (maximum volume)																
	Spin speed optimized drying time coordinates the remaining time displayed for the dryer to the spin speed at which the laundry was previously spun in the washing machine	400 600 800 1000 1200	To optimize the remaining time display, the spin speed at which the laundry was previously spun in the washing machine can be entered by the user.														

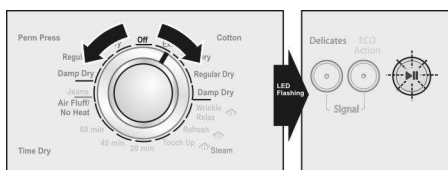
Operation

Using the dryer

1. Open the door.
2. Check lint filter.

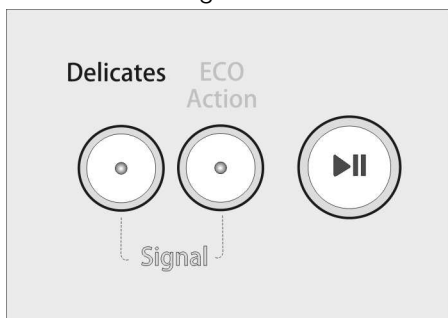
The filter should be cleaned before drying each laundry load. Cleaning the filter reduces the drying time and saves energy. (See page 27 for lint filter cleaning instructions).

- i** Bleach may cause discoloration of the dryer's colored surface. Therefore, it is important to keep bleach away from the colored surface of your dryer. If any bleach spills on the surface, immediately use a moist paper towel to thoroughly clean it.



3. Rotate the cycle selector to the desired drying cycle. Select the program which corresponds to the laundry in the dryer from the cycle selection table (see page 24). The dryer light turns on inside the drum when a cycle is selected.

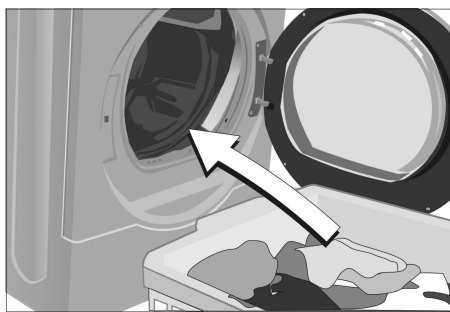
- i** The "Start/Pause" indicator light starts flashing.



4. If required, select an available option ("Delicates" or "ECOAction") by pressing the corresponding button (see figure above).

The effect of each option button is explained on page 22.

- i** The estimated remaining time will be displayed.



5. Place laundry in the empty drum. Put each piece of laundry into the machine separately to reduce clumping together.

For best results, the laundry to be dried must be sorted according to type of laundry and desired degree of drying. For further information, see page 21.

- i** Observe clothing and fabric manufacturers' laundering instructions. If drying woolen clothing and shoes, see the information on page 28.
- i** Ensure that there is only laundry in the drum. Check that all items are completely in the drum and that none are caught between the door and the dryer housing or door seal.

6. Close the door.

The "Start/Pause" indicator light continues flashing.

7. Press the "Start/Pause" button. The selected cycle begins and the "Start/Pause" indicator light stops blinking and stays lit.

- i** If the door has not been closed properly, the dryer will not start.

- i** The cycle starts with an acoustic signal (if set). See page 22 for how to set the signal for dryers with an LED display, and page 25 for how to set and adjust the signal for dryers with an LCD display.

Cycle Progress LED Indicators

If a standard drying cycle (not a time dry cycle) has been selected, the indicator lights indicate the progress of the cycle sequence. The LED sequence shown below is for the 500 and 800 Series dryers. The 300 Series dryer has LED's for "Drying" and "Wrinkle Block®/Finished".



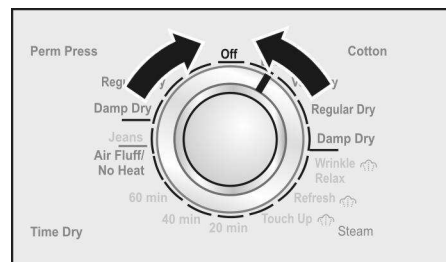
- i** At the end of the cycle, an acoustic signal is emitted (if set) and the LED "Wrinkle Block®/Finished" illuminates.

The acoustic signal will continue to sound intermittently during Wrinkle Block®.

- i** When the drying process is complete (cycle or selected time ended), the drum rotates at specific intervals for 1 hour due to the Wrinkle Block® feature. This prevents the laundry from creasing. The laundry remains loose and fluffy until it is removed. The laundry should be removed before this time has elapsed.

8. Open the door.

9. Take the laundry out of the dryer.



10. Rotate the program selector to "Off".
The dryer light goes out.
11. Clean the filter.
The filter should be cleaned after each drying process. Cleaning the filter reduces the drying time and saves energy.
12. Close the door.

Cleaning the lint filter

A dirty filter extends the drying time and increases energy consumption. The filter should be cleaned before each laundry load.

If a warning signal and a "CLn" or "E:12" warning message are emitted during a drying program, clean the filter immediately and check the exhaust duct.

i The program interrupts automatically.

Do not rinse or wash the screen to remove lint. Wet lint is harder to remove. Roll the dry lint off with your fingers. You can moisten your fingers lightly for better results.

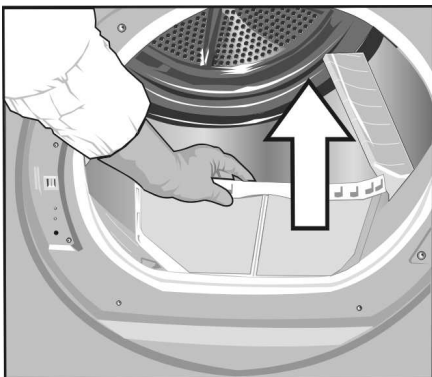
To clean the lint filter follow these steps:

1. Switch off the dryer by turning the program selector to "Off".

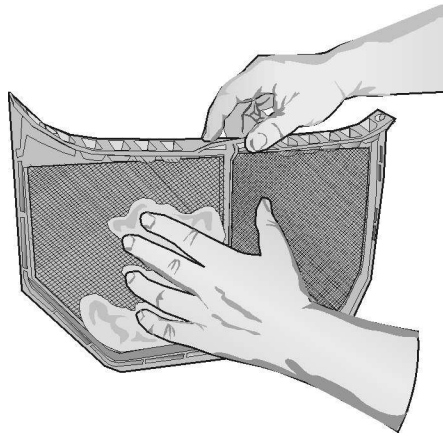
⚠ CAUTION

The inside of the door heats up during the drying process. Avoid touching any heated surface until it has time to cool.

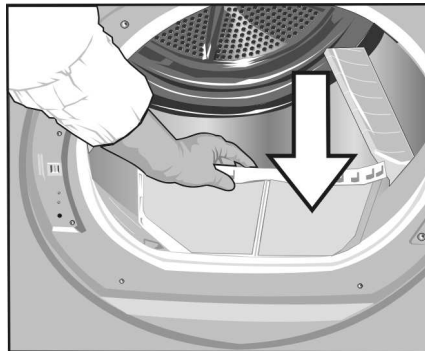
2. Open the door.
3. Remove the lint filter.



4. Remove lint by stroking your hand over the filter.



5. Insert the filter.



6. Close the door.

i Do not operate the dryer without the lint filter in place!

Removing Residue Buildup

Laundry detergent and fabric softener can build up on the lint filter screen. This buildup can cause longer drying times. Use of dryer sheets is not recommended. If you choose to use dryer sheets, please clean the lint filter periodically to remove residue.

i If lint falls off the screen while it is in the dryer, residue buildup probably needs to be removed.

The filter should be lightly scrubbed at least twice a year with warm soapy water. A filter with residue buildup will tend to hold water even though the mesh is lint free. The filter is clean when it no longer holds water. The filter must be dried thoroughly before being inserted back into the dryer.

To remove residue, follow these steps:

1. Clean all lint from the lint filter.
2. Wet both sides of the filter mesh with hot water.
3. Wet a soft nylon brush with hot water and liquid detergent.
4. Lightly scrub the lint screen with the brush to remove residue buildup. Be careful not to damage the screen.
5. Rinse the screen with hot water.
6. Thoroughly dry the lint screen with a clean towel.
7. Replace the lint filter back into the dryer.

i Do not operate the dryer without the lint filter in place!

Using the dryer rack

(Option, see page 19)

Use the dryer rack to dry washable woolen textiles (e.g. sweaters) and shoes. The dryer rack remains stationary while the drum rotates.

Damp wool should not be tumbled dry in the drum, as it has a tendency to matt and shrink. Drying shoes without a rack could damage the drum.

i The dryer rack must be used for drying with the wool cycle. If the rack is not used, the sensor will shut the dryer off after approximately 3 minutes and the display will show “----”.

NOTICE

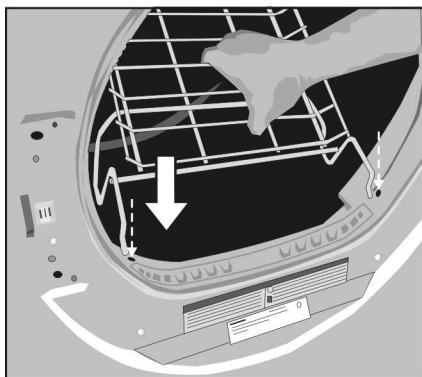
Dry only one item of clothing or one pair of shoes – maximum dry load 2.2 lbs (1 kg)! The laundry must have been spun! Only dry prewashed shoes! The laundry must not touch the drum! It could jam and be damaged. After using the dryer rack, take it out of the dryer immediately.

Inserting the dryer rack

1. Open the dryer door.
2. Check that the drum is empty.



3. Hold the dryer rack by the center section as shown below and insert it horizontally all the way into the drum. Then bring it back towards the front and align the forward ends with the two holes beside the lint filter.



4. With the forward ends engaged in the holes, lower the back of the rack so that it sits in place, braced against the inner surface of the dryer housing.

Drying laundry items on the dryer rack

1. Fold your laundry so it fits on the dryer rack.
2. Laundry items should be placed so they lay loosely on the dryer rack. Do not stack laundry so that it is compressed on the rack. Do not allow the laundry items to touch the drum. Laundry items must only touch the rack and should not hang over the edges of the rack.
3. Close the door, making sure no laundry is caught between the door and the housing or door seal.
4. For wool items, select the Wool cycle, if available. For other items, select one of the time cycles.

Select the drying time according to the laundry type.

Drying shoes on the dryer rack:

1. Prepare shoes.
 - Clean shoes to prevent the drum from becoming soiled.
 - If preparing sports shoes for drying, extend the tongue.
 - Loosen or remove shoe-laces.
 - Remove insoles and heel pads.
2. Place shoes on the rack.
 - Directly on the dryer rack
or
 - Roll up a towel and place the heels of the shoes on the towel. This will ensure a more uniform drying result.
3. Close the door.
4. Press the “**Start/Pause**” button. The “Start/Pause” indicator light illuminates.
5. If the shoes still contain residual moisture after the indicated drying time:
 - Reorient the shoes on the drying rack.
 - Restart the program and reduce the drying duration depending on the degree of residual moisture.
6. After drying, air the shoes at room temperature for approximately 30 minutes.
7. Take the dryer rack out of the drum.

Cleaning and care

Cleaning the dryer



WARNING

TO AVOID RISK OF EXPLOSION!

Never use solvents or highly flammable liquids for cleaning.

NOTICE

Incorrect cleaning may damage the dryer. Do not spray with a pressure washer. Do not use scouring agents or all-purpose cleaners. Do not use steam cleaners.

Wipe the housing and the control panel with a soft cloth and soapy water only. Wipe the drum, door seal and inside of the door with a damp cloth only.

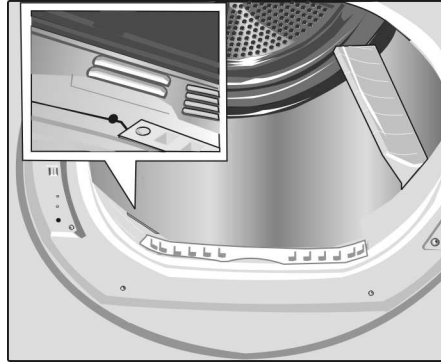
Cleaning the exhaust duct

Inspect and clean the exhaust ducting at least once a year to prevent clogging. A partially clogged exhaust will lengthen the drying time and will result in poor performance of the dryer.

- Turn off the circuit breaker
- Unplug the dryer from the power supply.
- Disconnect the duct from the dryer.
- Vacuum the inside of the duct to remove any accumulation of lint or debris .
- Reconnect the duct.
- Professional duct cleaning is recommended. See page 18.

Cleaning the moisture sensor

The moisture sensor has to be cleaned periodically because a fine layer of transparent buildup is deposited on the sensors.



This deposit can easily be removed by wiping the sensors (the two bars next to the lint filter) with a cloth and a little white vinegar.

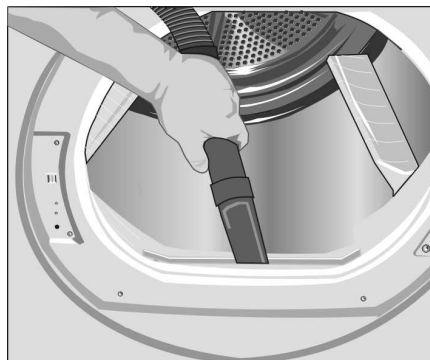
Use white vinegar only!

Clean the moisture sensor once a month.

Cleaning the lint filter housing

Lint and small debris may accumulate in the lower portion of the lint filter opening. With the lint filter removed, accumulated lint can be seen and easily removed with a vacuum cleaner using a narrow crevice cleaning tool.

If you do not have a crevice cleaning tool that will reach to the bottom of the opening, you may contact Customer Service for a list of sources and recommended attachments.



Any accumulation of lint or debris should be removed at least once a month using your vacuum cleaner.

Cleaning the Steam nozzle

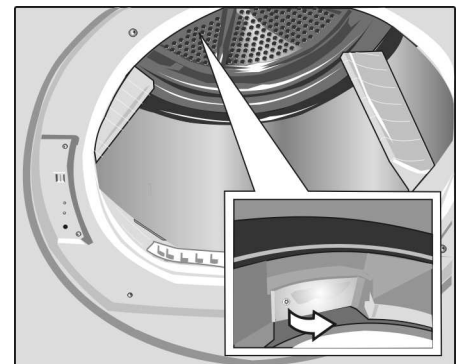
Once a year, inspect the nozzle outlet. If you suspect blockage, wipe the outside of the nozzle with a cloth moistened with vinegar. If the nozzle is completely blocked, consult the troubleshooting guide (see page 31) for removal and cleaning instructions. If the nozzle remains blocked, call customer service (see page 32).

Change the light bulb

The dryer light turns on inside the drum when you open the door and stays on for about 5 minutes or until the door is closed. The light turns off about 4 seconds after the door is closed.

To change the light bulb:

- Set program selector to "Off".
- Turn off the circuit breaker.
- Unplug the dryer from the power supply.
- Open the door and locate the dryer light on the upper left side of the seal.



- Loosen the screw and open the dryer light cover.
- Turn bulb counterclockwise. Replace the bulb with a new appliance bulb only (obtainable through parts department).
- i** Parts are available at www.boschappliances.com or by calling 1-800-944-2904.
- Replace the cover and secure with the screw.
- Plug the dryer back into the power supply.
- Turn on the circuit breaker.

Troubleshooting



WARNING

TO AVOID RISK OF ELECTRICAL SHOCK!
Repairs or replacement of parts shall be carried out by qualified technicians or licensed electricians only.

Before calling Customer Service, check whether you can rectify the fault yourself by means of the following table.

If a fault cannot be rectified or a repair is required:

1. Set program selector to "Off".
2. Turn off the circuit breaker.
3. Pull the main plug out of the socket.
4. Call customer service (see page 32).

Troubleshooting items listed below may not be covered by warranty service.

Please rule out any of these issues before calling for service.

Problem	Possible cause	Remedial action
Dryer does not start. "Start/Pause" indicator light does not illuminate.	Main plug not inserted at all or not inserted correctly.	Insert main plug correctly.
	A fuse or circuit breaker has tripped.	Replace fuse or reset circuit breaker.
	"Start/Pause" button not pressed.	Press "Start/Pause" button.
	No program selected.	Select program.
	Door not closed.	Close door.
	Ambient temperature below 41°F (5 °C.)	Increase room temperature.
Cycle has been interrupted. A warning signal is emitted and the display shows "CLn".	Lint filter dirty.	Clean the lint filter as described on page 27. Switch the dryer off/switch on again. If this does not clear the error code, call Customer Service (pg. 32).
Cycle has been interrupted. A warning signal is emitted and the display shows "E:12".	Exhaust air duct is blocked or too long.	Clean exhaust air duct. Reduce exhaust air duct to maximum length as described on page 18. Switch the dryer off/switch on again.
	Fault in program sequence or malfunction.	Switch off dryer, leave to cool down for 30 min, switch on again. Restart program.
	The room/cabinet is not adequately ventilated.	Provide an adequate supply of fresh air. Switch off/switch on again.
Degree of drying has not been reached or the drying time is too long. Display may indicate "E:03".	Moisture sensor dirty.	Clean moisture sensor as described on page 29. Switch the dryer off/switch on again.
	Exhaust air duct is blocked or is too long.	Clean exhaust air duct. Reduce exhaust air duct to maximum length as described on page 18. Switch the dryer off/switch on again.
	Lint filter dirty.	Clean filter as described on page 27. Switch the dryer off/switch on again.
	Laundry was too wet.	Spin laundry at higher speed in the washing machine. Switch the dryer off/switch on again.
	Unsuitable program selected.	Select program with aid of the program selection table (see page 22). Switch the dryer off/switch on again.
	Maximum drying time was exceeded.	Clean lint filter (see page 27). Check exhaust air duct. Spin laundry at a higher speed in your washer.
	Motor limit temperature was exceeded.	Switch off dryer, leave to cool down for 30 min. Switch on again. Start program.
Degree of dryness not correctly set	800 Series, Change settings for degree of dryness, see page 25	
Drum light does not function.	No program selected.	Select program.
	Light bulb defective, light bulb burned out.	Replace burned out bulb and reinstall the cover as directed on page 29.
	No power supply.	Check power supply.
	Light bulb is loose.	Remove the bulb cover and if bulb is loose, tighten bulb. Reinstall the cover as directed on page 29.

Troubleshooting (continued)

Problem	Possible cause	Remedial action
"Start/Pause" indicator light does not illuminate. "Wrinkle Block®/Finished" indicator lights. The display shows "000".	Fault in program sequence or malfunction.	Switch off dryer, leave to cool down for 30 min, switch on again. Restart program.
Lint filter LED is blinking after the lint filter has been cleaned	Blinking of lint filter LED is not an indication of a problem. It is used only as a reminder.	No action required. Light will stop blinking.
Display shows "----".	Laundry detected in drum during wool program (laundry not on rack)	Place laundry on dryer rack. Restart program.
Unusual noise: thumping sound	Drum suspension rollers need time to warm up.	No action required. As suspension system rollers warm up thumping will decrease and should stop within 2 to 3 minutes of dryer use
Unusual noise: Steady vibration, rocking of the dryer	Dryer is not level.	Level the dryer (see user manual section "Installation Instructions")
Unusual noise: Rhythmic vibration	Laundry balled up causing load to bounce.	Stop dryer, separate load items, restart dryer.
Water is not sprayed into the unit during Steam cycles	Water tap(s) not turned on.	Turn on water tap.
	Nozzle does not spray water adequately.	Wipe the outside of the nozzle with a cloth moistened with vinegar. If this does not restore the nozzle to spraying, see "Blocked nozzle" remedial action below.
	Blocked nozzle	Remove the nozzle using a 7/16 inch (11 mm) socket wrench. Place the nozzle into a container filled with enough white vinegar to cover the nozzle. Allow the nozzle to soak for five minutes, then scrub the nozzle tip gently with a toothbrush to remove residue. Rinse the nozzle and reinsert it back into the dryer and hand tighten, then tighten 1 additional turn with the wrench.
LED or button illuminated on control panel when Cycle Selector is turned to "Off" position	Fault condition	Turn off the circuit breaker and call Customer Service (pg. 32).

SERVICE and REPAIR



WARNING

WARNING – Label all wires prior to disconnection when servicing controls. Wiring errors can cause improper operation that could cause serious damage to the appliance or personal injury. Verify proper operation after servicing.

Bosch dryers require no special care other than the care and cleaning noted in the Cleaning and Care section.



If you are having a problem with your dryer, please refer to the troubleshooting table on page 30, before calling for service.

If service becomes necessary, contact your dealer or installer or an authorized service center. Do not attempt to repair the appliance yourself. Any work performed by unauthorized personnel may void the warranty.

If you are having a problem with your Bosch dryer and are not pleased with the service you have received:

- First, please contact your installer or the Bosch Authorized Service Contractor in your area and explain to them why you are not satisfied. This will usually correct the problem.

- If, after working with your installer or service person, the problem still has not been resolved to your satisfaction, please let us know by either writing to us at,

BSH Home Appliances Corporation
5551 McFadden Avenue
Huntington Beach, CA 92649

or, calling us at

1-800-944-2904.

Please be sure to include (if writing) or have available (if calling) the following information:

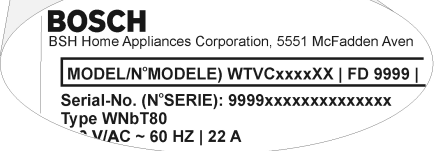
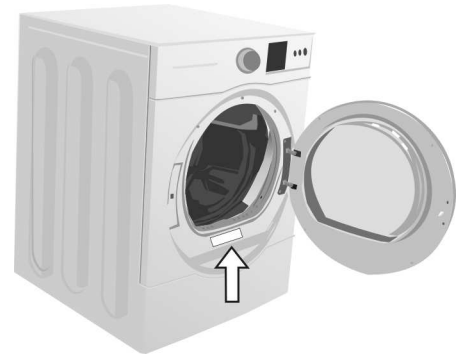
- Model Number
- Serial Number
- Date of Original Purchase
- Date Problem Originated
- Explanation of Problem

Also, if writing, please be sure to include a daytime telephone number and a copy of the sales invoice.

You will find the model number and serial number information on the rating plate located on the inside of the front panel.

The image below shows the approximate location of the rating plate. The model number has a rectangle around it. The serial number is located below the model number.

An example is shown below.



The manufacturer reserves the right to make changes in the product or manual without notification.

STATEMENT OF LIMITED PRODUCT WARRANTY

Bosch Vision™ Clothes Dryer

What this Warranty Covers & Who it Applies to: The limited warranty provided by BSH Home Appliances Corporation (Bosch) in this Statement of Limited Product Warranty applies only to the Bosch Vision™ Clothes Dryer (“Product”) sold to you, the first using purchaser, but strictly conditioned on the Product having been purchased: (1) for your normal, household (non-commercial) use, and has in fact at all times only been used for normal household purposes (any commercial use or setting of the Product automatically voids the warranty); (2) new at retail (not a display, “as is”, or previously returned model) purchased directly by the end-user consumer, and not for resale, or commercial use; and (3) within the United States or Canada, and has at all times remained within the country of original purchase. The warranties stated herein apply only to the first purchaser of the Product and are not transferable. Bosch reserves the right to request proof of purchase at the time any warranty claim is submitted to confirm that the Product falls within the scope of this limited product warranty. The warranty is automatically void if the Product was a display model, sold “as is”, tampered with, a damaged or “scratch and dent” model, or a previously returned model, a free give-away, charitable donation or contest prize.

- Please make sure to return your registration card; while not necessary to effectuate warranty coverage, it is the best way for Bosch to notify you in the unlikely event of a safety notice or product recall.

How Long the Warranty Lasts: Bosch warrants that the Product is free from defects in materials and workmanship for a period of three hundred sixty-five (365) days from the date of purchase. The foregoing timeline begins to run upon the date of purchase, and shall not be stalled, tolled, extended, or suspended, for any reason whatsoever.

Repair/Replace as Your Exclusive Remedy: During this warranty period, Bosch or one of its authorized service providers will repair your Product without charge to you (subject to certain limitations stated herein) if your Product proves to have been manufactured with a defect in materials or workmanship. If reasonable attempts to repair the Product have been made without success, then Bosch will replace your Product (upgraded models may be available to you, in Bosch’s sole discretion, for an additional charge). All removed parts and components shall become the property of Bosch at its sole option. All replaced and/or repaired parts shall assume the identity of the original part for purposes of this warranty and this warranty shall not be extended with respect to such parts. Bosch’s sole liability and responsibility hereunder is to repair manufacturer-defective Product only, using a Bosch-authorized service provider during normal business hours. For safety and property damage concerns, Bosch highly recommends that you do not attempt to repair the Product yourself, or use an un-authorized servicer; Bosch will have no responsibility or liability for repairs or work performed by a non-authorized servicer. If you choose to have someone other than an authorized service provider work on your Product, **THIS WARRANTY WILL AUTOMATICALLY BECOME NULL AND VOID.** Authorized service providers are those persons or companies that have been specially trained on Bosch products, and who possess, in Bosch’s opinion, a superior reputation for customer service and technical ability (note that they are independent entities and are *not* agents, partners, affiliates or representatives of Bosch). Notwithstanding the foregoing, Bosch will not incur any liability, or have responsibility, for the Product if it is located in a remote area (more than 100 miles from an authorized service provider) or is reasonably inaccessible, hazardous, threatening, or treacherous locale, surroundings, or environment; in any such event, if you request, Bosch would still pay for labor and parts and ship the parts to the nearest authorized service provider, but you would still be fully liable and responsible for any travel time or other special charges by the service company, assuming they agree to make the service call.

Extended Limited Warranty:

LENGTH OF WARRANTY	SCOPE OF WARRANTY
2 Year Limited Warranty From Date of Purchase	Bosch will provide replacement parts, free of charge, for any component part that proves defective under conditions of normal home use during the first two years from the date of purchase, normal (non-expedited) shipping costs included, labor charges excluded.
2 Year Limited Warranty on Electronics From Date of Purchase	Bosch will repair or replace, free of charge, any microprocessor or printed circuit board that proves defective under conditions of normal home use during the first two years from the date of purchase, labor charges excluded.
2 Year Limited Warranty on Motor From Date of Purchase	Bosch will repair or replace, free of charge, any motor or component part of the motor that proves defective under conditions of normal home use during the first two years from the date of purchase, labor charges excluded.

Out of Warranty Product: Bosch is under no obligation, at law or otherwise, to provide you with any concessions, including repairs, pro-rates, or Product replacement, once this warranty has expired.

Warranty Exclusions: The warranty coverage described herein excludes all defects or damage that are not the direct fault of Bosch, including without limitation, one or more of the following: (1) use of the Product in anything other than its normal, customary and intended manner (including without limitation, any form of commercial use, use or storage of an indoor product

outdoors, use of the Product in conjunction with air or water-going vessels); (2) any party's willful misconduct, negligence, misuse, abuse, accidents, neglect, improper operation, failure to maintain, improper or negligent installation, tampering, failure to follow operating instructions, mishandling, unauthorized service (including self-performed "fixing" or exploration of the appliance's internal workings); (3) adjustment, alteration or modification of any kind; (4) a failure to comply with any applicable state, local, city, or county electrical, plumbing and/or building codes, regulations, or laws, including failure to install the product in strict conformity with local fire and building codes and regulations; (5) ordinary wear and tear, spills of food, liquid, grease accumulations, or other substances that accumulate on, in, or around the Product; and (6) any external, elemental and/or environmental forces and factors, including without limitation, rain, wind, sand, floods, fires, mud slides, freezing temperatures, excessive moisture or extended exposure to humidity, lightning, power surges, structural failures surrounding the appliance, and acts of God. In no event shall Bosch have any liability or responsibility whatsoever for damage to surrounding property, including cabinetry, floors, ceilings, and other structures or objects around the Product. Also excluded from this warranty are scratches, nicks, minor dents, and cosmetic damages on external surfaces and exposed parts; Products on which the serial numbers have been altered, defaced, or removed; service visits to teach you how to use the Product, or visits where there is nothing wrong with the Product; correction of installation problems (you are solely responsible for any structure and setting for the Product, including all electrical, plumbing or other connecting facilities, for proper foundation/flooring, and for any alterations including without limitation cabinetry, walls, floors, shelving, etc.); and resetting of breakers or fuses. TO THE EXTENT ALLOWED BY LAW, THIS WARRANTY SETS OUT YOUR EXCLUSIVE REMEDIES WITH RESPECT TO PRODUCT, WHETHER THE CLAIM ARISES IN CONTRACT OR TORT (INCLUDING STRICT LIABILITY, OR NEGLIGENCE) OR OTHERWISE. THIS WARRANTY IS IN LIEU OF ALL OTHER WARRANTIES, WHETHER EXPRESS OR IMPLIED. ANY WARRANTY IMPLIED BY LAW, WHETHER FOR MERCHANTABILITY OR FITNESS FOR A PARTICULAR PURPOSE, OR OTHERWISE, SHALL BE EFFECTIVE ONLY FOR THE PERIOD THAT THIS EXPRESS LIMITED WARRANTY IS EFFECTIVE. IN NO EVENT WILL THE MANUFACTURER BE LIABLE FOR CONSEQUENTIAL, SPECIAL, INCIDENTAL, INDIRECT, "BUSINESS LOSS", AND/OR PUNITIVE DAMAGES, LOSSES, OR EXPENSES, INCLUDING WITHOUT LIMITATION TIME AWAY FROM WORK, HOTELS AND/OR RESTAURANT MEALS, REMODELLING EXPENSES IN EXCESS OF DIRECT DAMAGES WHICH ARE DEFINITELY CAUSED EXCLUSIVELY BY Bosch, OR OTHERWISE. SOME STATES DO NOT ALLOW THE EXCLUSION OR LIMITATION OF INCIDENTAL OR CONSEQUENTIAL DAMAGES, AND SOME STATES DO NOT ALLOW LIMITATIONS ON HOW LONG IMPLIED WARRANTY LASTS, SO THE ABOVE LIMITATIONS MAY NOT APPLY TO YOU. THIS WARRANTY GIVES YOU SPECIFIC LEGAL RIGHTS, AND YOU MAY ALSO HAVE OTHER RIGHTS, WHICH VARY FROM STATE TO STATE. No attempt to alter, modify or amend this warranty shall be effective unless authorized in writing by an officer of BSH.

How to Obtain Warranty Service: To obtain warranty service for your Product, you should contact the nearest Bosch authorized service center.

BSH Home Appliances Corporation – 5551 McFadden Avenue, Huntington Beach, CA 92649 / 800-944-2904

Características y ventajas de la nueva secadora

Tecnología ActiveDry™

La humedad y los niveles de temperatura se controlan continuamente, a fin de lograr resultados de secado precisos para una paleta amplia de tejidos diferentes. Cualquier cosa desde camisetas, hasta las sábanas del bebé, salen tibias y suaves en todo momento.

El monitoreo constante garantiza el uso de energía más bajo posible y reduce hasta un 50% del consumo por año.

EcoSmart™

La tecnología EcoSmart™ utiliza una red de sensores en la secadora Bosch Vision para ciclos que conservan la mayor cantidad de energía posible, a la vez que mantienen un rendimiento de secado superior. Al ajustar cuán mojada está la carga y al regular la temperatura para que nunca se produzca un exceso de calor, es evidente que Bosch ofrece algunas de las secadoras más eficientes del mercado.

EcoAction™

Esta opción le brinda la capacidad de reducir el consumo de energía en hasta un 10%. Al seleccionar esta opción, la temperatura se reduce para ahorrar recursos, a la vez que se extiende levemente el ciclo para asegurar un secado adecuado.

DynamicAir™

El sistema DynamicAir™ de Bosch Vision brinda calor suave y un gran volumen de aire en el tambor de secadora más delicado que existe. Únicamente Bosch Vision puede ofrecer un tambor de secadora de una sola pieza con una protección trasera cubierta de orificios para distribuir adecuadamente el aire sobre su ropa y, de esta forma, brindarle el secado más suave y efectivo posible.

Wrinkle Block®

A veces no es posible quitar la ropa apenas suena el zumbido. Wrinkle Block® (Protección contra arrugado) provee una hora de giro intermitente del tambor y evita la formación de arrugas y, en definitiva, reduce el tiempo de planchado.

Tambores de acero inoxidable

El tambor de lavado Nexxt™ tiene centenas de orificios de bordes redoblados, que permiten a sus prendas rodar suavemente sin presentar enganches.

Bisagra de la puerta de 160°

La puerta de la secadora se abre hasta 160°, lo que hace más fácil cargar y descargar la ropa. Las puertas de la lavadora y de la secadora también se abren en direcciones opuestas, de modo que si se las instala una al lado de la otra, transferir su ropa húmeda hacia la secadora se convierte en una tarea sin esfuerzo.

Funcionamiento silenciosos

Los electrodomésticos de lavado Bosch usan motores sin escobillas, sistemas de bomba suspendidos y materiales de insonorización especiales para hacerlas excepcionalmente silenciosas mientras están funcionando. Un funcionamiento silencioso significa que pueden instalarse prácticamente en cualquier lugar del hogar sin causar bullicio.

Estante de secado

La rejilla de la secadora protege los tejidos más delicados o un par de tenis, lo que permite que se sequen sin girar. Es una pieza estándar del modelo Premium y está disponible como accesorio para todos los modelos.

Dispositivo atrapapelusa

El dispositivo atrapapelusa de la secadora está ubicado cómodamente en la carcasa del electrodoméstico debajo de la puerta de la secadora para permitir el fácil acceso. El filtro de malla fina del dispositivo atrapapelusa captura incluso las partículas de pelusa más pequeñas. Además, para aumentar la eficiencia de secado, existe una luz de LED en el filtro atrapapelusa en el panel de control que se ilumina cuando el filtro necesita una limpieza inmediata.

Ciclos de vapor

Los ciclos Steam que se ofrecen en modelos selectos utilizan humedad adicional para ayudar a distender el tejido, aflojar las arrugas y refrescar las prendas de mezcla de algodón para reducir los olores.

Índice

Definiciones	37
INSTRUCCIONES IMPORTANTES DE SEGURIDAD	38
INSTRUCCIONES PARA LA PUESTA A TIERRA	39
INSTRUCCIONES PARA LA INSTALACIÓN	40
Introducción	40
Información sobre eliminación de residuos	40
Antes de instalar el secador	40
Lista de comprobación para la instalación	41
Emplazamiento	41
Dimensiones	41
Cómo invertir la bisagra de la puerta	42
Tipos de instalación	45
Conexión eléctrica	48
Conexión del tubo de aire de salida	51
Accesorios	53
Preparar el secador para el transporte, paso a paso	54
INSTRUCCIONES DE FUNCIONAMIENTO	55
Panel de manejo	55
Informaciones para su seguridad	56
Protección del medio ambiente	56
Ropa	56
Identificación de prendas	56
Consejos para el secado	56
Selección del ciclo	57
Opciones (Delicates [Ropa fina], ECO Action [Acción ecológica])	57
Señal (800 Serie, page 60)	57
Indicadores de LED de la secuencia del ciclo	58
Tabla de selección de ciclos	58
Programas automáticos	59
Steam ciclos	59
Programas temporizados	59
Opciones adicionales Serie 800	60
Funcionamiento	61
Uso del secador	61
Limpiar el filtro para pelusas	62
Uso de la canastilla (opciones)	63
Limpieza y cuidado	64
Limpieza del secador	64
Limpiar el tubo de aire de salida	64
Limpiar el sensor de humedad	64
Cómo limpiar la carcasa del filtro atrapelusa	64
Cómo limpiar la boquilla Steam	64
Cambiar la lamparilla	64
Localización de fallos	65
SERVICIO y REPARACIONES	67
DECLARACIÓN DE GARANTÍA LIMITADA DEL PRODUCTO	68

¡Felicitaciones!

El secador cumple con la norma UL 2158/CAN/CSA-C22.2 No. 112 Secadores de ropa.

Uno de las características fundamentales de su secador es el bajo consumo de energía.

Una filosofía fácil en el manejo, una gran variedad de programas de lavado y una sensación de solidez, hacen de este secador un asistente sumamente útil en su hogar.

El secador Bosch presenta las siguientes características estándar:

- un sistema de secado de alto rendimiento
- un tambor de acero inoxidable grande con una capacidad hasta 17.6 lbs (8 kg)
- Gran abertura de carga con un sistema de traba para la puerta con función de detención automática de tambor
- funcionamiento excepcionalmente sereno
- ciclos automáticos controlados por sensor
- Ciclos programados Secadoras de las Series 300 y 500: ciclos de 20, 40 y 60 minutos
Secadoras de la Serie 800: 10 a 150 minutos (en incrementos de 10 minutos)
- La función Wrinkle Block[®] (Protección contra arrugado) hace girar la ropa periódicamente durante hasta una hora después de secarla para ayudar a disminuir la cantidad de arrugas

Todo secador que deja nuestra planta, ha aprobado un control de rendimiento realístico y está en perfectas condiciones de funcionamiento.

Si tiene cualquier pregunta respecto de la instalación de nuestros secadores, nuestro grupo de servicio a clientes, gustosamente le responderá.

En nuestra página de web, encontrará más información referida a nuestros productos y su selección:
www.bosch-home.com/us

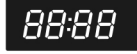
Información

Rogamos leer y seguir estas instrucciones de funcionamiento e instalación conjuntamente con todas aquellas informaciones entregadas con nuestra máquina de lavar.

Modelos que abarca este manual del usuario

La presentación escribe a máquina

Las instrucciones en este manual se refieren a secadores con dos tipos ' diferentes de presentación.



300 y 500 secadores de la Serie tienen una presentación DIRIGIDA



800 Secadores de la Serie tienen una presentación de VCL

La instalación, operando e instrucciones de mantenimiento son el mismo para secadores con cualquier de tipo presentación menos donde notó. La operación del menú del secador de VCL y opciones relacionadas son descritos en la 800 Serie sección Adicional de Opciones de este manual.

Los Ciclos del vapor están disponibles en 500 y 800 Secadores de la Serie con el logo de Vapor en el panel.



Steam

Definiciones



ADVERTENCIA

ADVERTENCIA – Esto significa que puede resultar la muerte o lesiones graves debido a la inobservancia de esta advertencia.



CUIDADO

CUIDADO – Esto significa que pueden resultar lesiones leves o moderadas debido a la inobservancia de esta advertencia.

AVISO

AVISO – Esto significa que se pueden producir daños en el electrodoméstico o en los bienes debido a la inobservancia de esta advertencia.



Este símbolo se utiliza para llamar la atención del usuario respecto de algo en particular.

⚠ INSTRUCCIONES IMPORTANTES DE SEGURIDAD



ADVERTENCIA

Las advertencias e instrucciones de seguridad de este manual no pueden cubrir todos los riesgos, condiciones y situaciones posibles que puedan surgir. Aplique el sentido común y tenga cuidado durante la instalación, el mantenimiento y la operación de este o cualquier otro electrodoméstico.



ADVERTENCIA

ADVERTENCIA: Para reducir el riesgo de incendio, descargas eléctricas, lesiones de gravedad o muerte y/o daños al emplear su secador, tome las siguientes precauciones básicas.

1. Lea todas las instrucciones antes de utilizar el secador.
Los secadores Bosch se entregan con instrucciones de manejo, cuidado e instalación.
2. No seque prendas que anteriormente hayan sido limpiadas, lavadas, remojadas, o se le hayan quitado las manchas con gasolina, limpiadores en seco, solventes, otros productos inflamables o explosivos de las cuales puedan desprenderse vapores que puedan **encenderse** o explotar.

Para reducir el riesgo de **incendio**, no ponga ropa, paños para la limpieza, estropajos o cosas similares en el secador, si contienen sustancias inflamables como aceites vegetales, aceite de cocina, aceites a base de petróleo o destilados de éstos, ceras, grasas, etc. Estas prendas pueden contener sustancias inflamables que pueden producir humo o **causar un incendio** espontáneamente aun después de haberlas lavado.

No coloque artículos expuestos a aceites de cocina en la secadora. Las prendas contaminadas con aceites de cocina pueden contribuir a reacciones químicas que pueden causar que la carga de ropa se prenda fuego.
3. El secador debe usarse únicamente para lo que fue diseñado.
4. Cuando los niños llegan a una edad adecuada para operar equipos electrodomésticos, es responsabilidad legal de los padres o reponsables legales, hacerlos instruir por personal adecuadamente calificado respecto de las medidas de seguridad correspondientes
5. No permita que los niños jueguen sobre el electrodoméstico ni con él en ningún momento; esto puede provocar lesiones graves o la muerte. Los niños deben permanecer a una distancia segura de los electrodomésticos en todo momento. Se debe permitir a los niños estar cerca de un electrodoméstico solamente si están supervisados estrictamente y en forma constante por un adulto.
6. No permita que los juguetes u otros objetos de los niños que puedan alentar a que los niños se suban a la secadora se guarden encima de la secadora, dentro de ella, en los estantes ni en gabinetes u otras áreas de almacenamiento adyacentes a la secadora.
7. No permita que los juguetes u otros objetos de los niños que puedan alentar a que los niños se suban a la secadora se guarden encima de la secadora, dentro de ella, en los estantes ni en gabinetes u otras áreas de almacenamiento adyacentes a la secadora.
8. No permita que nadie se suba, incline o cuelgue de ninguna parte de la secadora, incluidos los componentes que sobresalgan, como la puerta del electrodoméstico o un estante extraíble.
9. Para reducir el riesgo de intoxicación o quemaduras químicas, mantenga todos los productos de limpieza fuera del alcance de los niños.
10. Almacene todos los productos químicos y aditivos en un lugar fresco y seco de acuerdo con las instrucciones del fabricante. Asegúrese de que los niños no tengan acceso a ellos. No debe colocar gasolina, materiales combustibles, materiales que produzcan vapores inflamables, líquidos inflamables ni sustancias que representen un riesgo de incendio cerca de la secadora.
11. Mantenga alejadas a las mascotas de la secadora.
12. ANTES DE SACAR EL ELECTRODOMESTICO DE SERVICIO, quite la puerta de acceso al compartimento de secado.
13. No introduzca las manos en el electrodoméstico mientras el tambor está girando.
14. No instale ni deje este electrodoméstico a la intemperie o expuesto a elementos como agua/humedad, suciedad, aire corrosivo/salado y frío excesivo.
15. No juegue con los controles.
16. No reparar o reemplazar ninguna parte del secador ni intentar cualquier tipo de servicio a menos que haya sido recomendado en las instrucciones de mantenimiento o en instrucciones de reparación para usuarios, que se hayan comprendido plenamente y para las que se disponga de habilidad.
17. No utilice suavizadores para prendas u otros productos para eliminar las cargas estáticas, salvo que estén recomendados por el fabricante de las prendas.
18. No seque con calor, artículos que contengan espuma de goma (puede denominarse espuma de latex) u otros materiales que se parezcan a los mencionados. Las espumas de goma pueden **encenderse** por autoignición cuando se los calienta bajo ciertas circunstancias.
19. No seque prendas que contengan olefina spunbonded. La olefina spunbonded puede derretirse y **encenderse** por combustión espontánea.
20. Verifique la pantalla atrapelusa antes de cada carga de ropa y límpiela según sea necesario. El exceso de pelusa acumulada

puede dañar la secadora y crear un posible riesgo de incendio.

21. Mantenga el área alrededor de la salida de aire y las zonas adyacentes libres de pelusas, suciedad y polvo. La obstrucción de la abertura puede reducir el flujo de aire y producir un sobrecalentamiento.
22. El interior de la máquina y de la salida de aire debe limpiarse periódicamente por personal calificado.
23. Asegúrese siempre que el secador ha sido desconectado de la alimentación eléctrica, antes de intentar cualquier trabajo de mantenimiento. Desconecte el cable de alimentación, tomándolo del tomacorriente y no del cable.
24. Para evitar un riesgo de incendio, no utilice un cable de prolongación, un adaptador ni ningún otro conector o cable eléctrico no suministrado por el fabricante para conectar el secador a la alimentación de energía eléctrica. Los secadores son máquinas potentes y deben tener tomas de corriente eléctrica exclusivas.
25. Siempre verifique que los bolsillos de la ropa estén vacíos y quite todos los artículos de la ropa antes de ponerla en el secador; los objetos inadecuados pueden dañar el secador, y ciertos artículos como los encendedores pueden presentar un **riesgo de incendio**.
26. Para reducir el riesgo de incendio y descargas eléctricas, no use el secador si el cable de alimentación está deshilachado o dañado, o si los enchufes están sueltos.
27. No utilice el secador si se quitaron las protecciones y/o los paneles, si faltan piezas o si están rotas.
28. No elimine la función de los dispositivos de seguridad.
29. No utilice conductos de material plástico o materiales flexibles no metálicos con este secador. Los conductos flexibles de material plástico o materiales no metálicos pueden representar un posible **riesgo de incendio**.
30. No haga funcionar el secador antes de asegurarse que fue instalado de acuerdo con las INSTRUCCIONES DE FUNCIONAMIENTO y que la instalación y puesta a tierra cumplen con todos los reglamentos locales y/u otras reglas y requerimientos de aplicación.
31. Fallos en la instalación, el mantenimiento y/o operación del secador respecto de la instrucciones del fabricante, pueden ser causa de **lesiones** o daños.
32. Para evitar daños en el piso y también en el crecimiento de moho, no permita que salpicaduras o derramamientos de agua se acumulen alrededor o debajo del secador.
33. Asegúrese de que todas las conexiones de agua del secador tengan una válvula de paso y de que se encuentren en un lugar fácilmente accesible. Cierre la(s) válvula(s) de paso del electrodoméstico al final de cada día de uso.
34. Verifique las conexiones de la manguera de llenado con frecuencia para asegurarse de que estén apretadas y de que no haya pérdidas.

Notas:

- A. Las INSTRUCCIONES IMPORTANTES DE SEGURIDAD y los LLAMADOS DE ATENCIÓN que se presentan en este manual no cubren todas las situaciones posibles que pueden tener lugar. Deben aplicarse el sentido común, precaución y cuidado al instalar, mantener o hacer funcionar el secador.
- B. Consultar siempre con el comerciante, distribuidor, agente de servicio o fabricante cualquier problema o bien condiciones que no se han comprendido completamente.
- C. Tenga en cuenta también las informaciones de seguridad que se incluyen en las INSTRUCCIONES DE INSTALACIÓN y las INSTRUCCIONES DE FUNCIONAMIENTO.

INSTRUCCIONES PARA LA PUESTA A TIERRA

Este electrodoméstico debe conectarse a tierra. En caso de fallos en el funcionamiento o roturas, la conexión a tierra reduce el riesgo de descargas eléctricas, presentando una vía de baja resistencia por la que puede fluir la corriente.

Su secador se provee sin el cable de alimentación. El cable a conectar debe presentar las siguientes características:

- Aprobación UL en USA
- Capacidad nominal de 240 voltios (mínima)
- 30 amperes
- Tipo SRDT o DRT y marcado para uso con secadoras de ropa
- Cinco pies de longitud (mínimo)



ADVERTENCIA

La conexión inadecuada de la puesta a tierra de este equipo puede conducir a un riesgo elevado de descargas eléctricas.

Haga controlar la instalación por un electricista calificado si tiene dudas, a fin de determinar que el secador esté correctamente conectada a tierra.

NO modifique el enchufe suministrado con el secador.

Si no es adecuado al tomacorriente, haga instalar un tomacorriente adecuado por un electricista calificado o cambie el cable por uno que sea adecuado al secador.

CONSERVE ESTAS INSTRUCCIONES PARA CONSULTAS POSTERIORES.

En caso de un cambio de propietario, este manual debe entregarse conjuntamente con el secador.

CONSERVE ESTAS INSTRUCCIONES

INSTRUCCIONES PARA LA INSTALACIÓN

Introducción

Lea estas instrucciones completamente y con cuidado. Esto va a evitar que pierda tiempo y esfuerzo, permitiendo lograr un funcionamiento óptimo del secador. Asegúrese de tener en cuenta todas las advertencias y precauciones.



ADVERTENCIA

ADVERTENCIA – Riesgo de incendio.

- La instalación del secador de ropa debe ser realizada por un instalador calificado.
- Instale el secador de ropa según las instrucciones del fabricante y los códigos locales.
- No instale un secador de ropa con materiales de ventilación de plástico flexibles. Si se instala un conducto de metal flexible (tipo hoja metálica), debe ser de un tipo específico identificado por el fabricante del electrodoméstico como apto para un secador de ropa. Se sabe que los materiales de ventilación flexibles se hunden, se aplastan fácilmente y atrapan pelusa. Estas condiciones obstruyen el flujo de aire del secador de ropa y aumentan el riesgo de incendio.
- Para reducir el riesgo de lesiones graves o de muerte, siga todas las instrucciones de instalación.
- CONSERVE ESTAS INSTRUCCIONES.

Estas instrucciones para la instalación están destinadas para ser usadas por personal calificado. Adicionalmente a estas instrucciones, el secador debe instalarse de acuerdo con todas las reglas locales o bien, en su ausencia, con:

- en los **Estados Unidos**, el National Electric Code, ANSI/NFPA70 en su última edición y las reglas municipales y/o locales vigentes.

Información sobre eliminación de residuos

Eliminación del embalaje



ADVERTENCIA

Mantenga alejados a los niños de la caja de cartón y de los componentes del embalaje. Existe peligro de asfixia con el plástico y las cajas plegables.

Ninguno de los materiales del embalaje es dañino para el medio ambiente y pueden reciclarse. Rogamos eliminarlos según las normas de protección del mismo.

Rogamos ponerse en contacto con su vendedor o la autoridad competente respecto de las disposiciones vigentes.

Desecho de electrodomésticos viejos



ADVERTENCIA

Si el electrodoméstico ya no se encuentra en condiciones de uso, desconecte el enchufe principal, corte el cable de alimentación y elimine el cable junto con el enchufe principal. Para evitar que los niños queden encerrados dentro del electrodoméstico, retire la puerta.

Para evitar que los niños al jugar se pongan en peligro al quedar atrapados, asegúrese de que el mecanismo de cierre de la puerta esté desactivado o desmonte la puerta.

¡Los electrodomésticos viejos no son basura! Pueden utilizarse materias primas valiosas en un reciclado adecuado al medio ambiente.

Consulte a su distribuidor o autoridad local acerca de los mejores medios de eliminación.

Antes de instalar el secador

Antes de instalar el secador a un sistema de conductos utilizado previamente, asegúrese de que el sistema esté limpio. Se recomienda realizar una limpieza profesional del sistema de conductos en forma anual y al conectar el secador a un sistema de conductos utilizado previamente.

Mantener limpio el sistema de conductos reducirá el tiempo de secado y mejorará el rendimiento del secado.

Desembalaje del electrodoméstico



CUIDADADO

No levante el electrodoméstico personalmente. Tampoco debe levantárselo de partes protuberantes debido al riesgo de quebraduras.

AVISO

Retire el embalaje del electrodoméstico con cuidado para no dañar las superficies ni las áreas adyacentes al electrodoméstico.

Controle si el secador se ha dañado durante el transporte. No conecte un secador visiblemente dañado. En caso de duda, consulte con su vendedor.

Volumen de entrega



CUIDADADO

El secador se provee sin el cable de alimentación. El cable de alimentación debe conectarlo un técnico calificado o un electricista con licencia.

AVISO

Una vez eliminado el embalaje, quite inmediatamente todos los objetos contenidos en el tambor.

Emplazamiento



ADVERTENCIA

No instale el secador:

- en el exterior,
- en ambientes donde gotea el agua,
- ceca de materiales inflamables,
- en ambientes con riesgo de congelamiento,
- en ambientes donde puede haber gas u otros combustibles,
- en armarios con puertas con traba

El ambiente de emplazamiento debe poseer una buena ventilación, de otro modo el secador trabajará con rendimiento reducido.

No opere el secador a temperaturas superiores a los 104 °F (40 °C) o debajo de 41 °F (5 °C). Las temperaturas bajas pueden afectar la secuencia el programa automático y pueden prolongar los tiempos del secado.

La superficie donde se vaya a instalar el secador deben estar limpias, parejas y firmes. ¡No instale el secador sobre alfombras! Compense las irregularidades en el piso mediante los pies ajustables en altura.

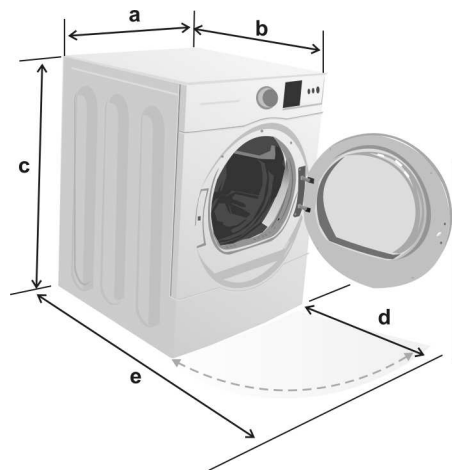
Instale el secador y nivélelo un lado respecto del otro y la parte anterior respecto de la parte posterior. Utilice un nivel de alcohol.

¡Nunca desenrosque totalmente los pies ajustables!

El tamaño del área de instalación depende de las medidas del secador.

¡Asegúrese que exista espacio suficiente para el área de giro de la puerta!

Dimensiones



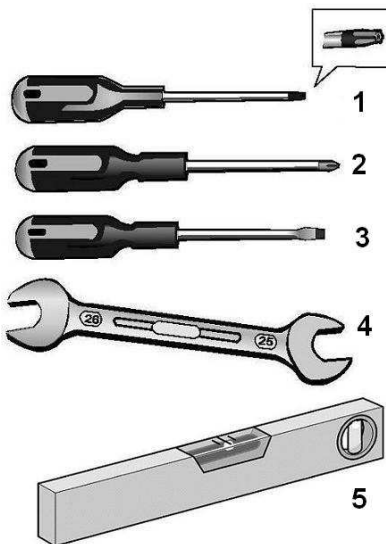
	Medidas	Peso
a	27.0" (68.6 cm)	125 lbs (56.7 kg)
b	31.8" (81.0 cm)	
c (min)*	36.9" (93.6 cm)	with packaging
c (max)*	37.8" (95.9 cm)	143 lbs (64.8 kg)
d	22.0" (59.7 cm) ángulo 160°	
e	53.9" (136.9 cm)	

* min (mín.)= patas de la secadora insertadas completamente, max (máx.)= salidas

Herramientas útiles

Las siguientes herramientas son útiles para la instalación:

1. Destornillador de cabeza Torx (T20)
2. Destornillador Phillips (Núm. 2)
3. Destornillador de hoja plana (Núm. 2)
4. Llave fija (1 pulg./25 mm)
5. Nivel de burbuja



Lista de comprobación para la instalación

1. Quite el secador de su embalaje.
2. Quite todos los objetos del tambor.
3. Controle si el secador presenta daños visibles.
4. Ubique el secador cerca del sitio de emplazamiento (consulte la página 40).
5. Si hace falta, cambie las bisagras de la puerta a la izquierda (ver página 42).
6. Si hace falta, instale la salida de aire del escape lateral o inferior en el secador (ver página 51).
7. Haga colocar el cable de alimentación de energía por un técnico autorizado (ver página 48).
8. El cheque para la conexión "Y", manga corta de manga y abastecimiento de agua incluyó con el secador que embala (ve página 46). (Seleccionó modelos sólo).

9. Conecte el suministro de agua (modelos selectos únicamente) a la parte trasera de la secadora (consulte la página 46 para obtener instrucciones detalladas).

10. Instale los conductos del escape si es necesario.

Siga las instrucciones de instalación provistas por el fabricante de piezas de conductos

apropiado (ver página 51)

i Si las condiciones de espacio son muy reducidas, se recomienda montar las primeras partes de la tubería antes de ubicar el secador en su sitio de emplazamiento definitivo.

AVISO

NO empuje contra el vidrio de la puerta del secador. ¡Riesgo de rotura!



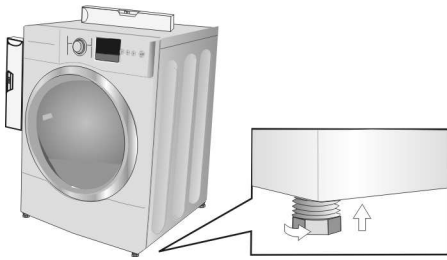
NO empuje contra el vidrio de la puerta del secador

11. Ubique el secador en su sitio de emplazamiento definitivo.

AVISO

No arrastre el secador por el suelo, si los pies ajustables fueron extendidos. En este caso se dañarían tanto los pies ajustables, como la parte inferior del secador.

12. Posicione y nivele luego el secador.



La secadora debe estar nivelada con las cuatro patas firmemente apoyadas en el suelo. La secadora no debe tambalearse. Si la secadora no está nivelada o si se tambalea, deben ajustarse las patas. Ajuste las patas de altura ajustable usando la llave de 1 pulg. (25 mm) hasta que la secadora no se balancee y esté nivelada, tanto de adelante hacia atrás como de lado a lado.

- ❑ Después de realizar los ajustes preliminares, presione hacia abajo cada esquina de la secadora para asegurarse de que la unidad no se tambalea. Si al presionar hacia abajo en una esquina esto causa que la secadora se tambalee, baje la pata de la secadora de esa esquina hasta que la pata se apoye firmemente en el piso.

Instale la secadora y nivélela de lado a lado y de adelante hacia atrás. Use un nivel de burbuja. ¡Nunca retire las patas de altura ajustable!

13. Conecte el tubo de ventilación a la salida de aire del secador (consulte la página 51).
14. Conecte el tomacorriente en el enchufe correspondiente (consulte la página 48).
15. Lea las instrucciones de funcionamiento, para enterarse como funciona su secador (consulte la página 55).
16. Efectúe un control del electrodoméstico:
 - ❑ Controle que el tambor esté vacío.
 - ❑ Cierre la puerta del secador.
 - ❑ Coloque la secadora en Extra Dry (Secado extra) y luego presione el botón Start/Pause (Inicio/Pausa).
 - ❑ Después de entre 3 y 5 minutos, presione el botón Start/Pause (Inicio/Pausa) y abra la puerta.

- ❑ Si el interior del secador está tibio, significa que está correctamente conectado. Apague el secador.
- ❑ Si el secador no funciona, conmutelo a «Off». Consulte en la localización de fallos (ver página 30) de las INSTRUCCIONES DE FUNCIONAMIENTO y determine el fallo.

Cómo invertir la bisagra de la puerta

La secadora viene de fábrica con la bisagra del lado derecho de la puerta. De ser necesario, se puede invertir la bisagra de la puerta.

Herramientas necesarias

Destornillador con cabeza de estrella T20

Piezas para invertir la bisagra

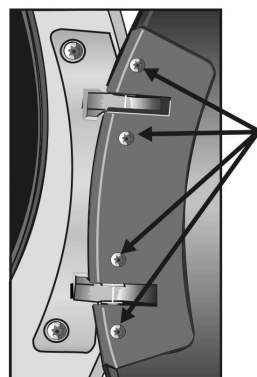
Bisagra (con 4 manguitos de plástico blanco)

Placa de cubierta de la bisagra

Conjunto de la puerta

Procedimiento para invertir la bisagra

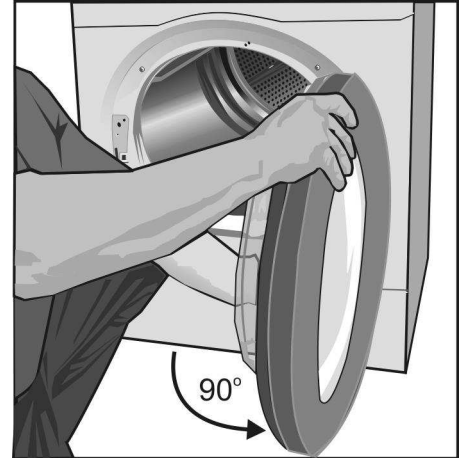
1. Desenchufe la secadora.
2. Prepare una superficie firme, plana y acolchada para colocar la puerta de la secadora mientras cambia la bisagra.
3. Abra la puerta de la secadora para exponer la cubierta de la bisagra completamente.
4. Retire los 4 tornillos que mantienen a la cubierta de la bisagra en su lugar.



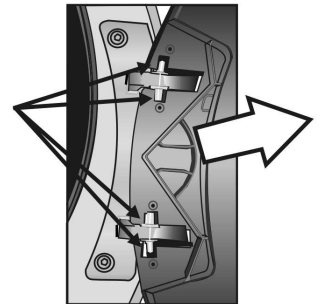
retire los 4 tornillos

Deje a un lado la cubierta junto con los cuatro tornillos para volver a instalarlos más tarde.

5. Gire la puerta de modo que quede perpendicular a la parte delantera de la lavadora. Deslice la puerta y retírela de la secadora para que los pasadores de la bisagra se deslicen fuera de las ranuras de la puerta de la secadora.

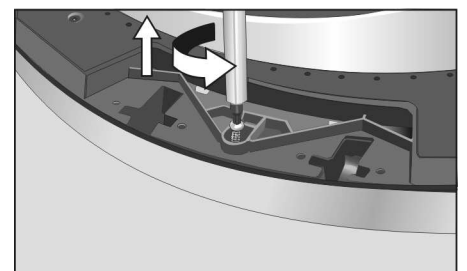


Asegúrese de que los cuatro manguitos de plástico permanezcan sobre los pasadores de la bisagra.

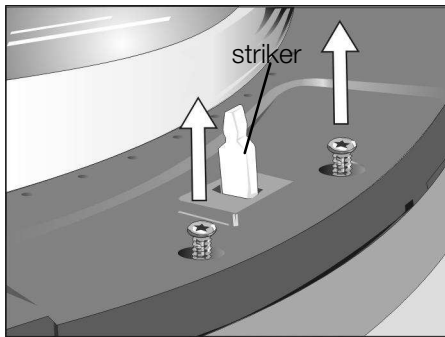


No deje que los 4 manguitos de plástico se caigan de los pasadores de la bisagra. Si alguno de los manguitos se cae, vuelva a instalarlo en los pasadores de la bisagra antes de volver a instalar la puerta.

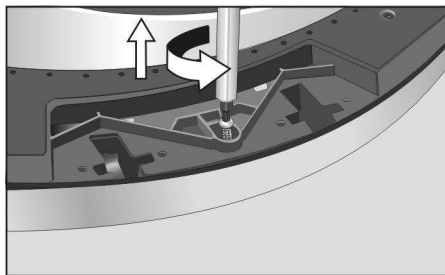
6. Apoye la puerta de la secadora boca abajo sobre una superficie firme, plana y acolchada, con la parte inferior de la puerta mirando hacia usted.
7. Retire el tornillo que estaba oculto por la cubierta de la bisagra.



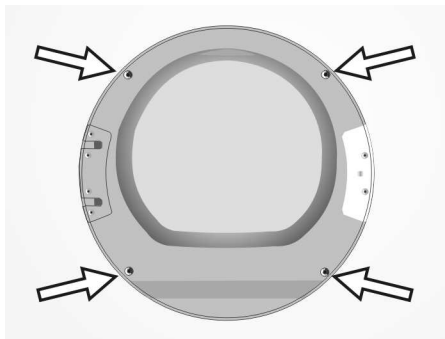
8. Retire los dos tornillos que sostienen la placa de cubierta del empujador en su lugar. Sostenga el empujador mientras levanta la cubierta para mantener las piezas juntas en su lugar y deje a un lado el conjunto para volver a instalarlo más tarde.



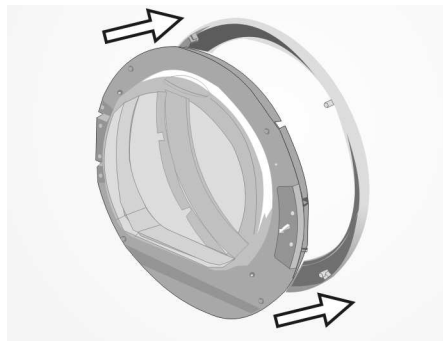
9. Retire el tornillo que estaba oculto por la cubierta de la placa del empujador.



10. Retire los cuatro tornillos que sostienen el anillo delantero al cuerpo de la puerta.

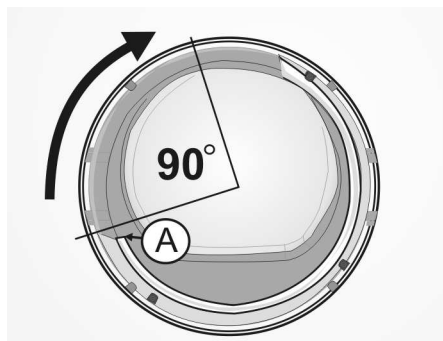


11. Voltee la puerta para que el anillo delantero apunte hacia arriba.
12. Retire el anillo delantero de la puerta de la secadora.



13. El vidrio de la cubierta tiene un borde de vidrio levantado que se extiende por, aproximadamente, dos tercios de la circunferencia del vidrio. Asegúrese de que este borde levantado apunte hacia arriba, mirando hacia usted. Respete la posición del borde anterior del mango de vidrio levantado, marcado con la letra (A) en la siguiente ilustración.

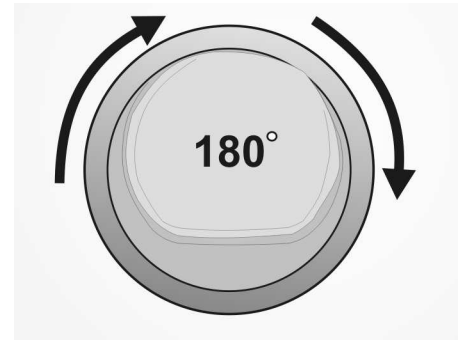
Gire el vidrio de la cubierta 90 grados hacia la derecha.



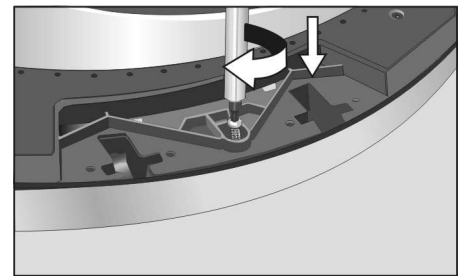
14. Fíjese en la nueva posición del vidrio de la cubierta. El borde anterior del mango de vidrio debe haberse movido 90 grados hacia la derecha desde el punto inicial, como se muestra en la siguiente ilustración, con la letra (A).



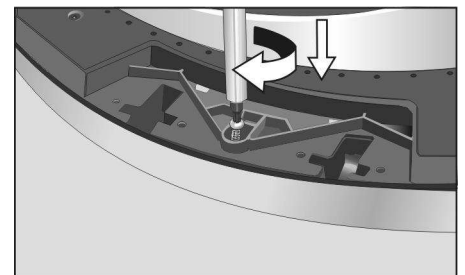
15. Gire el anillo delantero 180 grados para que, ahora, el mango de la puerta quede del lado derecho. El mango de la puerta está ubicado en el interior del anillo delantero. Es una hendidura del tamaño de la mano.



16. Voltee la puerta para que la parte trasera apunte hacia arriba.
17. Vuelva a colocar las piezas, manteniendo su nueva alineación.
18. Vuelva a insertar el tornillo que se encuentra debajo de la cubierta de la bisagra. Apriete firmemente el tornillo.

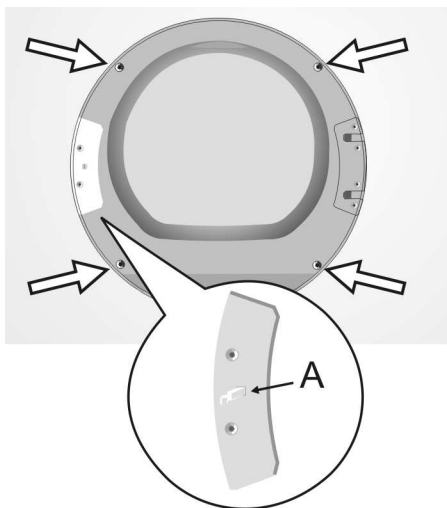


19. Vuelva a insertar el tornillo que se encuentra debajo de la placa del empujador. Apriete firmemente el tornillo.

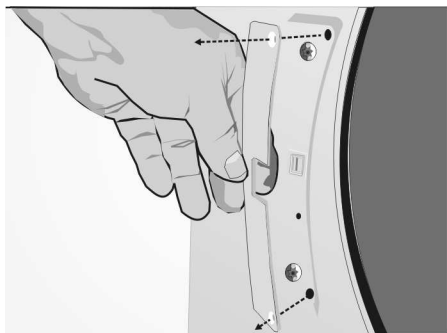


20. Gire la cubierta del empujador y el empujador 180 grados para que el conjunto calce en el área de instalación en el lado opuesto de la puerta (donde se encontraba la bisagra). Vuelva a instalar la cubierta del empujador y el empujador en la nueva ubicación, y apriete firmemente los dos tornillos de la cubierta.

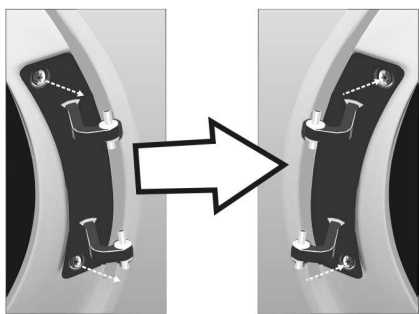
21. Vuelva a insertar los cuatro tornillos del anillo delantero y apriételos.



22. Retire los dos tornillos que sostienen la placa de cubierta de plástico en la posición de montaje de la bisagra del lado izquierdo, en la carcasa de la secadora. Retire la placa y déjela a un lado con los dos tornillos.



23. Retire los dos tornillos que sujetan la bisagra de metal de la puerta a la carcasa de la secadora. Retire la bisagra de la carcasa.

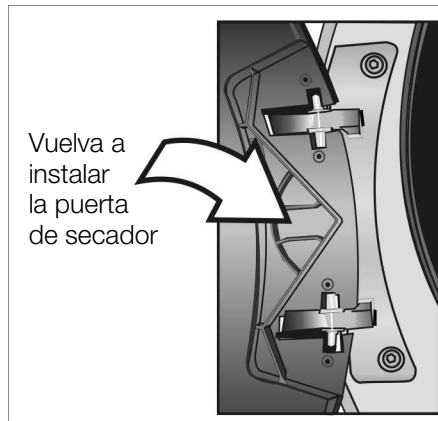


del lado derecho al lado izquierdo

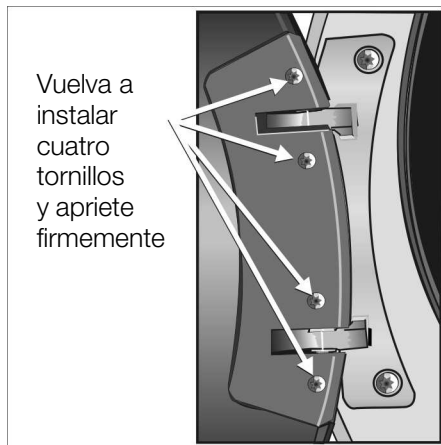
24. Vuelva a sujetar la bisagra de la puerta a la carcasa de la secadora en el lado izquierdo de la apertura de la puerta de la secadora. Apriete ambos tornillos completamente, y asegúrese de que sujeten la bisagra firmemente.

25. Ahora, la puerta está lista para volver a montarla en la secadora.

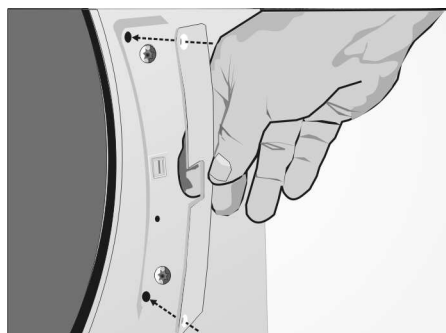
26. Vuelva a instalar la puerta de la secadora deslizando la sobre los pasadores de la bisagra. No deje que los cuatro manguitos de plástico se caigan de los pasadores de la bisagra. Si alguno se cae, vuelva a instalarlo en los pasadores de la bisagra antes de volver a instalar la puerta de la secadora.



27. Vuelva a instalar el plato de cobertura de bisagra quitado en el paso 4. La adición y apriete el 4 tener de tornillos el plato de cobertura de bisagra en el lugar.



28. Instale el plato plástico de cobertura sobre la posición original de bisagra en el lado del mano derecho de la apertura de puerta de secador. La adición y apriete el dos tener de tornillos el plato en el lugar.



29. Pruebe que la puerta abre y cierra apropiadamente. El proceso de la reversión de la bisagra es ahora completo.

Distancias mínimas

Información importante sobre distancias mínimas:

- Según la ubicación de la conexión de aire del escape, se debe sumar a este lado, el lado donde se encuentra la conexión, una distancia mínima adicional de 5 ½ pulgadas (14 cm) para conductos/soportes (consulte la página 53).
- Los beneficios de mantener una distancia superior (espacios libres) a la mínima que se muestra incluyen los siguientes:
 - hay más circulación de aire que enfría la secadora, evita que la secadora se caliente en exceso y mejora el rendimiento del secado.
 - reducción del riesgo de que se produzca moho detrás de los electrodomésticos.
 - reducción de la transmisión de ruidos.
 - facilitación de la instalación y del servicio técnico.
- Si se instala la secadora en una habitación pequeña, las puertas de la habitación deben estar equipadas con ventilaciones de dimensiones mínimas establecidas. Consulte las siguientes ilustraciones de instalaciones cerradas para obtener información adicional.
- Deje un espacio libre adicional para la puerta, la pared y la moldura de la ventana cuando sea necesario.

Tipos de instalación

Respete los siguientes espacios libres mínimos entre la secadora y las superficies adyacentes para todos los tipos de instalación.

Espacios libres mínimos de instalación

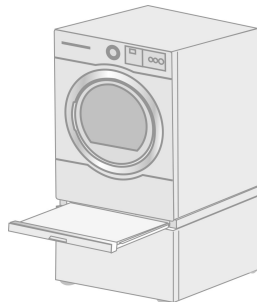
A Laterales	0.25 in. (6.4 mm)
B Parte superior	0.25 in. (6.4 mm)
C Parte trasera*	2.55 in. (64.8 mm)
D Parte delantera	0.50 in. (12.8 mm)

* tan cerca de la pared como lo permita la ventilación o la conexión de agua. Si se instala con una lavadora, se requiere el mayor espacio libre en la parte trasera para la ventilación de la secadora para ambos electrodomésticos.

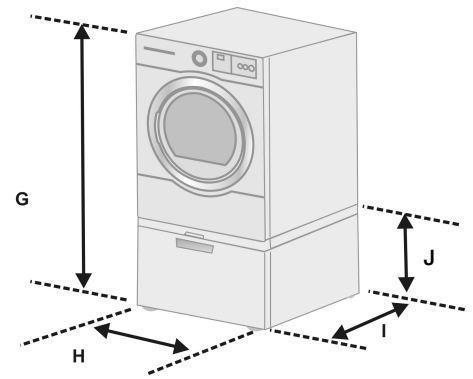
- Las unidades están diseñadas de manera que la secadora pueda apilarse encima de la lavadora usando uno de los kits para apilar que se muestran en la página 53.
- Las unidades están diseñadas para permitir la instalación debajo de la superficie de trabajo; consulte las dimensiones que se requieren en la sección "Instalación debajo de la superficie de trabajo" en la página 46.

Las mediciones de altura que se muestran en esta sección se toman con las patas de la lavadora en la extensión mínima (insertadas completamente contra la base de la lavadora).

Pedestal con estante extraíble



En la siguiente ilustración, se muestran las dimensiones para la instalación del pedestal y el estante extraíble.



Espacio de instalación requerido

G Altura	53.75 in. (136.5 cm)
H Ancho	27.50 in. (69.9 cm)
I Profundidad	33.50 in. (85.1 cm)
J Altura del pedestal.	15.0 in. (38.1 cm)

i El electrodoméstico no debe montarse sobre un pedestal para instalaciones debajo de la superficie de trabajo.

Lavadora y secadora apiladas



ADVERTENCIA

Riesgo de lesiones personales o muerte. NO apile la secadora encima de la lavadora sin usar uno de los accesorios del kit para apilar que se enumeran en este manual.

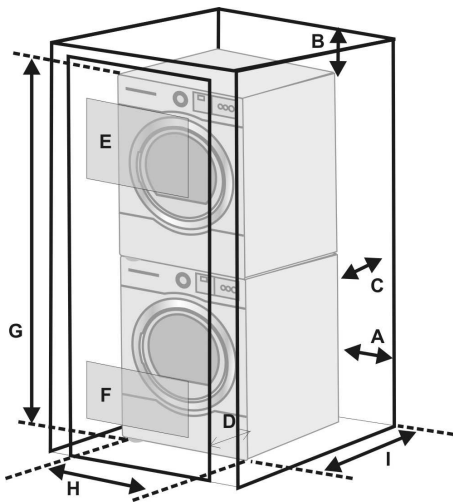
En la siguiente ilustración, se muestran las dimensiones para la instalación apilada.

Hay dos kits para apilar disponibles para apilar la secadora encima de la lavadora; consulte la sección "Accesorios" en la página 53.



ADVERTENCIA

Por su peso y tamaño, se recomienda que más de dos personas levanten la secadora para colocarla en su posición. No hacerlo puede ocasionar lesiones personales o la muerte.



Las dimensiones de los espacios libres desde A hasta D se encuentran en la página 45.

Requisitos de ventilación del armario

E Parte superior	48 sq. in. (310 sq. cm)
F Parte inferior	24 sq. in. (155 sq. cm)

Espacio de instalación requerido

G Altura	74.50 in. (189.3 cm)
	* con el kit para apilar básico
	Altura 76.02 in. (193.1 cm)
	** con el kit para apilar con estante extraíble
H Ancho	27.50 in. (69.9 cm)
I Profundidad	33.50 in. (85.1 cm)



ADVERTENCIA

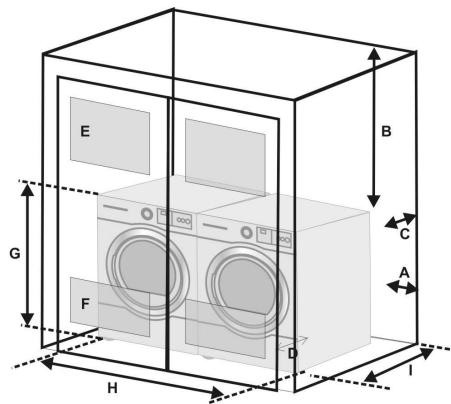
El electrodoméstico no debe montarse sobre un pedestal en las instalaciones apiladas.

La lavadora no debe apilarse encima de la secadora. Esto puede provocar lesiones y/o daños graves.

i Tenga cuidado al deslizar la lavadora y secadora apiladas en su lugar. Consulte las instrucciones de instalación del kit para apilar para obtener más información.

Una al lado de la otra

En la siguiente ilustración, se muestran las dimensiones para la instalación una al lado de la otra empotradas o dentro de un armario.



Las dimensiones de los espacios libres desde A hasta D se encuentran en la página 45.

Requisitos de ventilación del armario

E Parte superior	48 sq. in. (310 sq. cm)
F Parte inferior	24 sq. in. (155 sq. cm)

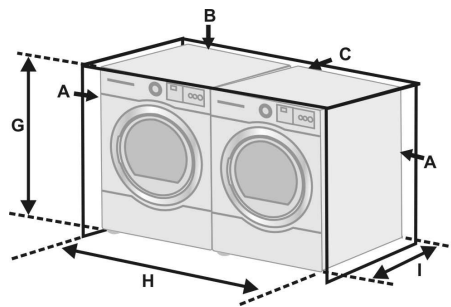
Espacio de instalación requerido

G Altura	37.25 in. (94.6 cm)
H Ancho	54.75 in. (139.1 cm)
I Profundidad	33.50 in. (85.1 cm)

La altura requerida si se monta sobre un pedestal es de 52.25 pulg. (132.7 cm)

Baja Mostrador

Las dimensiones para la instalación de undercounter son mostradas en la ilustración abajo.



Las dimensiones de los espacios libres desde A hasta D se encuentran en la página 45.

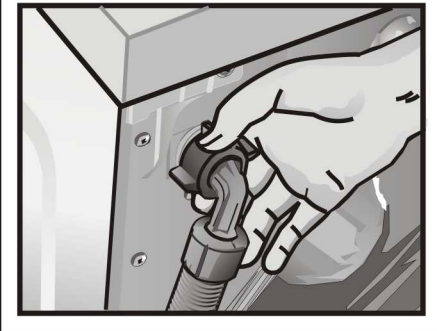
Espacio de instalación requerido

G Altura	37.25 in. (94.6 cm)
H Ancho	27.50 in. (69.9 cm)
	Ancho* 54.75 in. (139.1 cm)
	* lavadora y secadora una al lado de la otra
I Profundidad	33.50 in. (85.1 cm)

i El electrodoméstico no debe montarse sobre un pedestal para instalaciones debajo de la superficie de trabajo.

Conexión de agua

Esta sección se aplica únicamente a secadoras con conexión de agua. La conexión se encuentra en la parte superior de la parte trasera de las secadoras de las series 500 y 800 con el logotipo SteamCare en el panel.



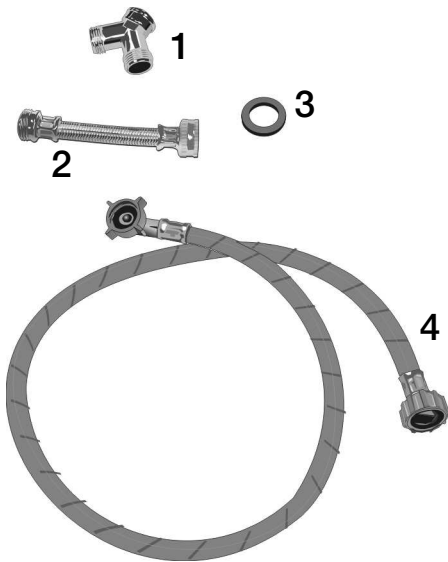
Conecte la manguera de suministro de agua del secador a un grifo de agua fría (el grifo debe estar ubicado dentro de los 4 pies (1.2 m) de la válvula de entrada de agua en la parte posterior del secador).

Se recomienda tener una presión de suministro de agua de 20 – 100 psi (1.37 – 6.89 bar) para un mejor rendimiento.

Dado que la mayoría de las conexiones comparten el grifo de agua fría que se utiliza con la lavadora, se proporciona un conector con forma de "Y" junto con un manguera corta (si es necesaria) a fin de conectar la manguera de suministro al grifo de agua fría.

Piezas de la secadora a vapor incluidas

Las siguientes piezas están incluidas con el envío de su secador.

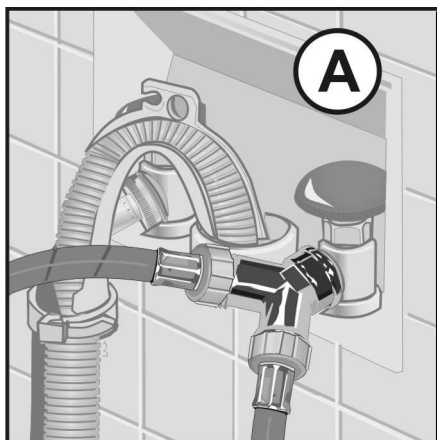


1. Conector "Y"
2. Manguera de entrada de metal trenzado corta
3. Arandela de hule (insertada en la parte hembra de la manguera de entrada corta, que se muestra separada para mayor claridad).
4. manguera de suministro de agua

Para conectar la manguera de entrada

i El secador debe conectarse al conector en forma de "Y" usando la manguera de suministro de agua proporcionada. No use una manguera vieja.

1. Cierre la llave de agua fría y retire de la llave la manguera de suministro de agua de la lavadora.



2. Verifique que la arandela de hule esté completamente insertada y asentada en el extremo hembra de la manguera corta antes de continuar. La arandela de hule aparece como ítem 3 en la ilustración de las piezas suministradas. Se ilustra separada de la manguera para mayor claridad.

3. Si el espacio lo permite, conecte el extremo roscado internamente (hembra) del conector "Y" directamente al grifo de agua fría (opción **A** como se muestra en la ilustración anterior) y siga con el paso 6

Para instalación opcional con el conector Y

Si el conector "Y" no se puede sujetar directamente, use la manguera corta suministrada para conectar el conector "Y" al grifo de agua fría (opción **B** como se muestra en la ilustración), y **continúe con los pasos 4 a 5.**



4. Conecte la manguera corta al grifo de agua fría. Apriete la conexión a mano hasta que el acople esté asentado en el grifo.
5. Use pinzas para apretar la conexión con un giro adicional de dos tercios de vuelta.



Los alicates del uso para sólo terminar apretando vuelta 2/3's para el metal a conexiones metálicas

6. Conecte el adaptador "Y" a la manguera corta. Apriete el acople a mano hasta que quede firmemente asentado en la manguera.

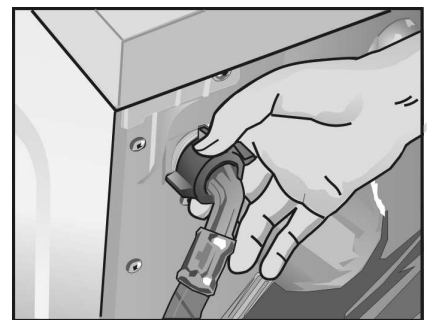
i No utilice alicates para apretar plástico accesorios enhebrados en plástico ni metal conexiones enhebradas.

7. Conecte la manga de suministro de agua fría de arandela al conector "Y". La mano aprieta sólo.

8. Conecte la manga de abastecimiento de agua de secador al otro emparejar del conector "Y". La mano aprieta sólo.

9. Apriete sólo metálico a parejas metálicas en el conector "Y" y manga corta una adicional dos tercios vuelta que utiliza alicates.

i Haga no overtighten. El daño al emparejar podría resultar.



10. Conecte el conector en ángulo recto de la manguera a la válvula de entrada ubicada en la parte superior izquierda del secador.

i Verifique que la arandela de hule no se caiga y que esté bien asentada en el conector en ángulo recto.

11. **Apriete a mano** el acople hasta que quede asentado en el conector. **No use pinzas**, apriete a mano únicamente.

i No apriete en exceso. Se puede dañar el acople.

12. Abra el grifo de agua.

13. Verifique que no haya pérdidas alrededor del conector "Y", del grifo y de ninguna manguera.

Conexión eléctrica

ADVERTENCIA

El cable de alimentación debe ser conectado por un técnico calificado o un electricista con licencia únicamente. Conecte el secador a un ramal individual del circuito.

No utilice adaptadores.

No utilice cables prolongadores.

No quite la clavija de puesta a tierra.

Su secador se provee sin el cable de alimentación. El cable a conectar debe presentar las siguientes características:

- Aprobación UL en USA
- Capacidad nominal de 240 voltios (mínima)
- 30 amperes
- Tipo SRDT o DRT y marcado para uso con secadoras de ropa
- Cinco pie de longitud (mínimo)

ADVERTENCIA

El cable de alimentación debe ser conectado por un técnico calificado o un electricista con licencia únicamente.

Utilice únicamente cables UL de 30 Amps con descarga de tracción. Tenga en cuenta las instrucciones del fabricante.

No conecte el cable de alimentación a un enchufe bajo tensión, antes de conectarlo a los terminales del electrodoméstico y que esté cerrada la caja de conexión o derivación según se describe abajo.

No utilice cables de alimentación usados. El cable deberá estar provisto de terminales cerrados o bien doblados hacia arriba.

No tuerza los cable en un ángulo cerrado en las conexiones.

Debe utilizarse únicamente un cable de 4 conductores si el equipo se instala en una casa rodante, en un vehículo recreacional, en una nueva rama del circuito de instalación u otro lugar donde las reglas locales no permiten una puesta a tierra a través del conductor neutro.

Procedimientos de puesta a tierra adicionales

- Algunas reglamentaciones locales pueden exigir una conexión a tierra adicional. En este caso deben adquirirse por separado, los accesorios requeridos, como el cable de conexión, abrazaderas y tornillos.
- Nunca conecte el electrodoméstico a tuberías de agua de material plástico, tuberías de gas o de agua.

Instrucciones para la conexión a tierra

Este electrodoméstico debe conectárselo a tierra. En caso de fallos en el funcionamiento o roturas, la conexión a tierra reduce el riesgo de descargas eléctricas, presentando una vía de baja resistencia por la que puede fluir la corriente.

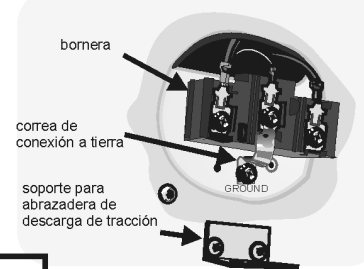
Para conectar la alimentación eléctrica (cable de 3 conductores y cable de 4 conductores)



ADVERTENCIA

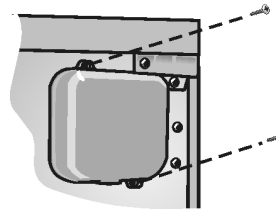
La conexión incorrecta del conductor de conexión a tierra del equipo puede causar un riesgo de descarga eléctrica. Haga verificar el electrodoméstico por un técnico calificado o por un electricista con licencia si tiene alguna duda respecto de si el secador está correctamente conectado a tierra.

No enchufe el extremo del cable de alimentación en un receptáculo con corriente antes de conectar el cable de alimentación a los bornes del electrodoméstico y de cerrar la caja de empalme/bifurcación, como se describe a continuación.



1

Retire los dos tornillos de la cubierta de la bornera ubicada en la parte superior trasera del electrodoméstico. Esto dejará expuesto el conjunto de la bornera.

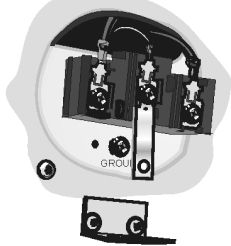


Instalación con cable de 4 conductores

2

Afije el tornillo inferior de la correa de conexión a tierra. Enderece la correa de conexión a tierra para que quede vertical. Vuelva a colocar el tornillo verde en el orificio del borne GROUND (Conexión a tierra).

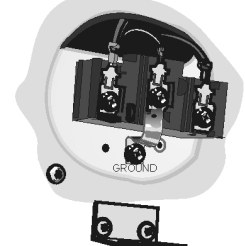
I Asegúrese de que la correa de conexión a tierra no toque el panel posterior para evitar desconectar el disyuntor durante el funcionamiento del secador.



Instalación con cable de 3 conductores

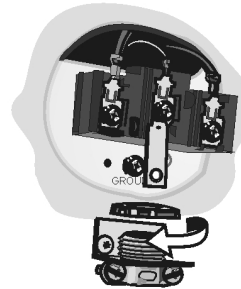
2

Asegúrese de que la correa de conexión a tierra esté en su lugar. La ilustración muestra la correa de conexión a tierra bien ubicada, con el tornillo verde ajustado al borne de conexión a tierra.



3

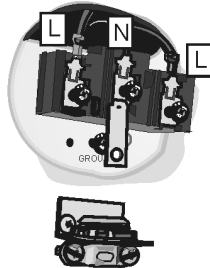
Fije una abrazadera de descarga de tracción (disponible a través de un proveedor de artículos de electricidad o para la construcción) al soporte del ángulo. Apriete la tuerca para sujetar la abrazadera firmemente en su lugar.



Instalación con cable de 4 conductores

4

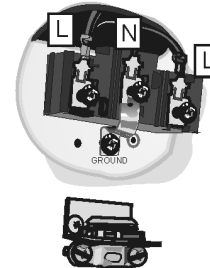
Afije los 2 tornillos rotulados con la L y el único tornillo rotulado con la N en la bornera. También afloje el tornillo en el borne GROUND (Conexión a tierra).



Instalación con cable de 3 conductores

4

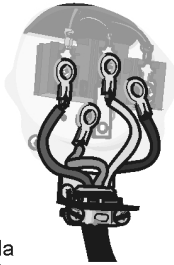
Afije los 2 tornillos rotulados con la L y el único tornillo rotulado con la N en la bornera.



Continuado en la página siguiente

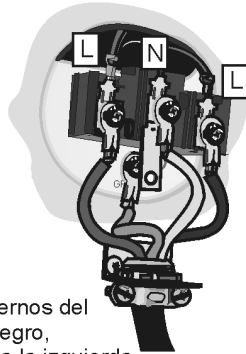
Instalación con cable de 4 conductores

- 5** Enhebre el cable de 4 conductores a través de la abrazadera de descarga de tracción. Apriete los tornillos de la abrazadera de descarga de tracción (2.5 Nm) de modo que el cable de alimentación no se mueva.



- I** Esto mantendrá el cable de alimentación en su lugar y facilitará la correcta instalación de los tornillos de los bornes.

- 6** Conecte el conductor de conexión a tierra del cable de alimentación (verde) al borne GROUND (Conexión a tierra). Apriete el tornillo (2.5 Nm) de manera que el conductor de conexión a tierra quede firme en su lugar.



Conecte los 2 conductores externos del cable de alimentación (rojo y negro, cualquiera de los dos puede ir a la izquierda o a la derecha) a los 2 bornes rotulados con la L. Conecte el conductor del cable de alimentación sobrante (blanco) en el borne marcado con la letra N.

- I** Asegúrese de que los tornillos de los bornes queden alineados correctamente con las tuercas de los bornes para evitar forzar las roscas.

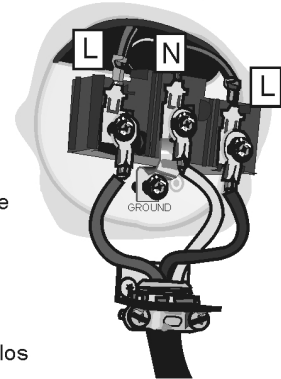
Instalación con cable de 3 conductores

- 5** Enhebre el cable de 3 conductores a través de la abrazadera de descarga de tracción. Apriete los tornillos de la abrazadera de descarga de tracción (2.5 Nm) de modo que el cable de alimentación no se mueva.



- I** Esto mantendrá el cable de alimentación en su lugar y facilitará la correcta instalación de los tornillos de los bornes.

- 6** Conecte los 2 conductores externos del cable de alimentación (rojo y negro, cualquiera de los dos puede ir a la izquierda o a la derecha) a los 2 bornes rotulados con la L. Conecte el conductor del cable de alimentación sobrante (blanco) en el borne marcado con la letra N.



- I** Asegúrese de que los tornillos de los bornes queden alineados correctamente con las tuercas de los bornes para evitar forzar las roscas.

- 7** Apriete los 3 tornillos de los bornes (3 Nm) de modo que los conductores queden firmemente sujetos.



ADVERTENCIA

Después de apretar los tornillos, verifique que los bornes estén firmemente sujetos en el lugar para asegurar una conexión eléctrica adecuada; de lo contrario, podría producirse una condición peligrosa.

- 8** Verifique la abrazadera de descarga de tracción para asegurarse de que esté apretada y de que no se pueda girar.

- 9** Vuelva a colocar la cubierta en la bornera y ajústela en su lugar.

- I** ¡Asegúrese de que la abrazadera de descarga de tracción esté fuera de la cubierta!

- 10** El electrodoméstico ya está listo para enchufar en un receptáculo con la capacidad nominal correcta.

Conexión del tubo de aire de salida



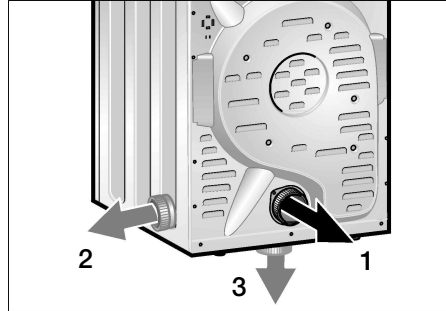
ADVERTENCIA

1. A fin de reducir el peligro de incendio, el aire de salida de este electrodoméstico **DEBE CONDUCIRSE AL EXTERIOR**.
2. Para reducir el riesgo de incendio, no utilice sistemas de conductos más largos que los recomendados. Consulte la tabla de Longitud máxima del sistema de conductos (ver página 52).
3. No use un conducto de plástico u hojas metálicas, ni ningún otro conducto no metálico con este secador. Sólo se deben usar conductos de metal rígido o flexible para la extracción. Los conductos de hojas metálicas y de metal flexible **NO** son lo mismo.
4. **NO** use más de 2.4 m de conductos de metal flexible.
5. **NO** use un conducto de menos de 4 pulgadas de diámetro.
6. **NO** descargue el aire del secador en: chimeneas, paredes, techos, lugares cerrados de un edificio, conductos de aire frío de un horno, áticos, huecos sanitarios ni otro sistema de conductos para ventilación.
7. No instale un tubo flexible empotrado en la pared, un cielorraso o piso.
8. **NO** retuerza ni doble el tubo.
9. Controle y limpie la tubería regularmente. Como mínimo una vez al año.
10. El tubo de salida de aire debe terminar de modo de evitar la circulación inversa, la entrada de pájaros u otros animales.
11. **NO** arme el sistema de conductos con tornillos ni sujetadores que queden introducidos en él.
12. **NO** arme el sistema de conductos con tornillos ni sujetadores que queden introducidos en él. Sirven como punto de acumulación de pelusa. Las uniones se deben sujetar con cinta de aluminio.
13. **NO** use un dispositivo DEDPV (ventilador de refuerzo) con este aparato.

Salida de aire del secador

El secador se provee con una salida de aire ubicada en la parte posterior del mismo.

A continuación, se ilustran opciones alternativas de conexión de conductos de escape. Seleccione una de estas opciones para hacer un buen uso del espacio disponible o de un sistema de conductos de escape existente.



- 1 – Salida de aire en la parte posterior del electrodoméstico (estándar)
- 2 – Salida de aire en el costado del electrodoméstico (opción)
- 3 – Salida de aire en la parte inferior del electrodoméstico (opción)

Las conexiones especiales para el aire de salida, se las provee su vendedor al igual que parte requeridas para cada opción (ver la página 53).

- Juego para salida lateral
- Juego de salida inferior

El cambio de la salida de aire y una conexión opcional, debe efectuarla un técnico calificado.

Tubería

Puntos importantes a considerar:

El sistema de respiradero del secador separa el aire húmedo mientras la ropa se seca. Usted puede acortar tiempos de secado, salvar energía y ayudar a asegurar la seguridad del sistema cerciorándose que el sistema del conducto de escape de secador sea instalado apropiadamente y es mantenido.

- ❑ Mantenga los tramos de conducto (la totalidad del sistema de conductos del escape, desde la secadora hasta la parte externa de la campana del escape) lo más cortos posible (consulte la tabla “Longitud máxima del sistema de conductos” de la página 52.)
- ❑ Use la cantidad mínima de codos necesaria para instalar el sistema de conductos del escape. Evite colocar dos codos de 90 grados uno al lado del otro.

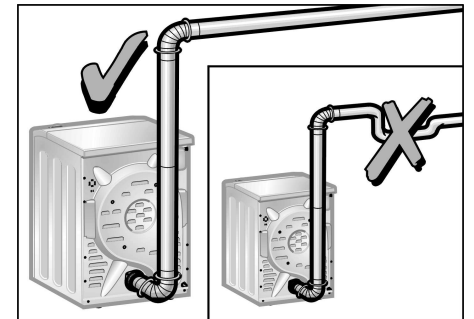
- ❑ Verifique y limpie el sistema de conductos del escape y la campana del escape, por lo menos, dos veces por año, y siempre que sospeche que el funcionamiento de la secadora ha empeorado.

Retire la pelusa acumulada para evitar la disminución del flujo de aire o las obstrucciones del sistema. Se recomienda realizar una limpieza profesional en forma anual y al conectar la secadora a un sistema de conductos de escape utilizado previamente.

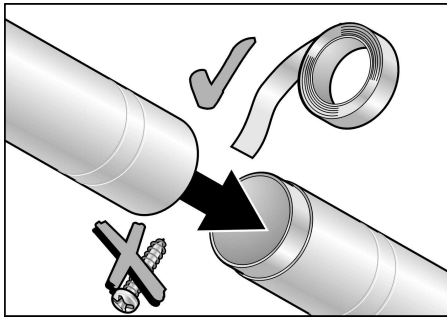
- ❑ Reemplace cualquier tramo de ventilación de plástico u hojas metálicas con conductos de metal rígido o metal flexible. Se recomienda el uso de conductos de metal rígido.

- i** La correcta instalación del sistema del escape es responsabilidad del consumidor.

Los problemas que se produzcan debido a la instalación incorrecta no están cubiertos por la garantía del electrodoméstico.



No se permiten los conductos de escape que no tengan el largo especificado en la tabla sobre longitud máxima de conductos, en la página 52. No seguir las indicaciones de esta tabla prolongará el tiempo de secado, provocará que se acumule pelusa y afectará el rendimiento y la vida útil de la secadora.



Todas las juntas de los tubos deben sellarse para que no presenten pérdidas. El extremo del tubo de menor diámetro, deberá señalar en el sentido de circulación del aire.

Independientemente de conectar la tubería a un sistema existente o nuevo, asegure que esté libre de pelusas.

En la siguiente tabla, se incluye la longitud máxima permitida tanto para conductos rígidos como para conductos rígidos usados con conductos de metal flexible. Si se usan conductos de metal flexible para conectar el electrodoméstico al sistema de conductos, la longitud total del conducto de metal flexible utilizado no excederá los 2.4 m y puede utilizarse únicamente para conectar el secador al sistema de conductos. Como se muestra en la siguiente tabla, la longitud máxima del sistema de conductos se reduce si se utilizan conductos flexibles.

Longitud máxima del sistema de conductos

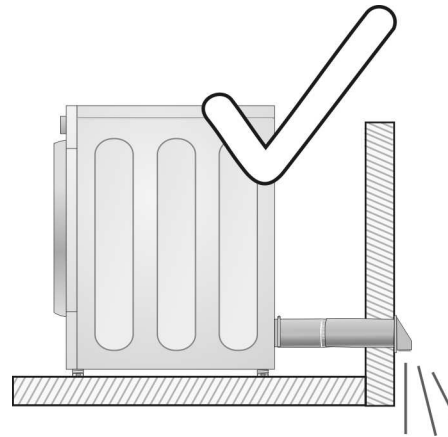
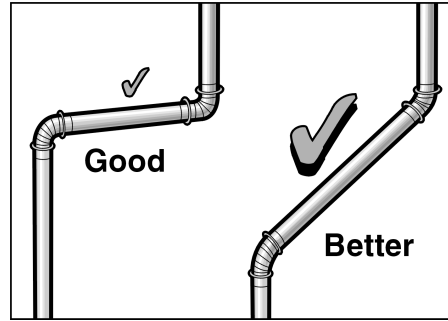
Número de codos de 90°	Tubo rígido	Conductos flexibles en combinación con conductos rígidos
0	66 ft. (2011 cm)	45 ft. (1372 cm)
1	56 ft. (1707 cm)	36 ft. (1097 cm)
2	48 ft. (1463 cm)	29 ft. (884 cm)
3	39 ft. (1189 cm)	22 ft. (671 cm)
4	30 ft. (914 cm)	16 ft. (488 cm)

Nota:

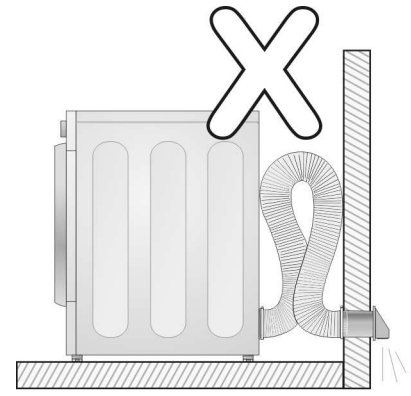
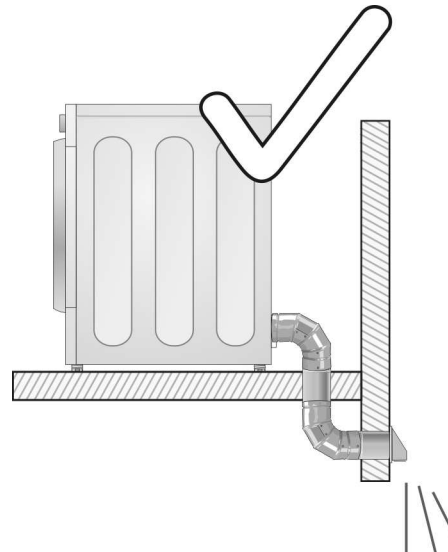
Las instalaciones del escape lateral e inferior tienen un giro de 90° dentro del secador. Tome esto en cuenta al usar la tabla anterior.

No se recomienda el uso de más de dos codos de 90°. Para un mejor rendimiento, separe los codos a una distancia de, al menos, 4 pies de

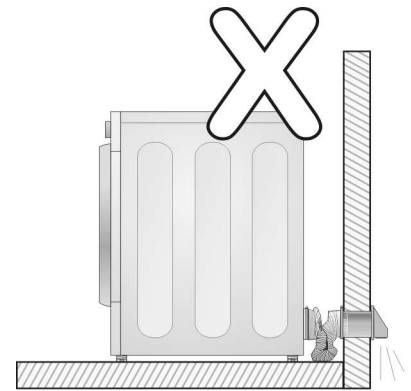
conducto recto, incluida la distancia entre el último codo y la campana de escape.



Mantenga los conductos de escape tan cortos y tan rectos como sea posible desde el punto de vista práctico. Esto aumentará el flujo de aire y tendrá como resultado tiempos de secado más cortos.



No permita que los conductos de escape sean más largos de lo necesario. Los conductos más largos reducen el flujo de aire y tienen como resultado tiempos de secado más largos.

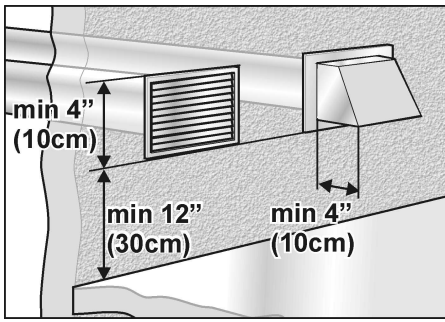


No deje que los conductos de escape se aplasten ni queden restringidos de ningún otro modo. Los conductos restringidos reducen el flujo de aire y tienen como resultado tiempos de secado más largos. Los conductos restringidos pueden reducir el flujo de aire de escape hasta causar una condición de error e incluso detener el ciclo de la secadora. Verifique que el conducto del escape no esté aplastado ni restringido.

Sombrero de ventilación

El tubo de ventilación debe terminar en un sombrero de ventilación aprobado con laminillas de cierre amortiguado. NO utilice un sombrero con seguros magnéticos.

Para evitar restricciones en la ventilación, la salida debe presentar un distancia mínima de 12 pulgadas (30 cm) sobre el suelo u otra superficie de obstrucción.



Piezas necesarias para el sistema de conductos

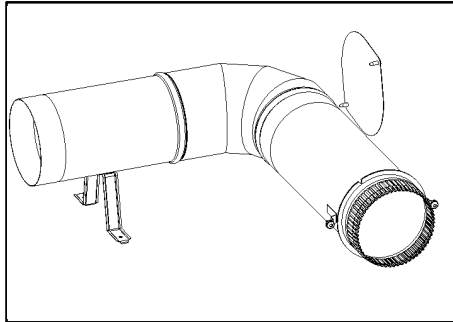
Las piezas necesarias para el sistema de aire del escape (codos, líneas, salidas de aire del escape) no se incluyen en la entrega estándar de la secadora (consulte la sección Accesorios para obtener información sobre cómo solicitar las piezas). Siga las instrucciones suministradas con las piezas.

Se recomienda la instalación profesional del sistema de conductos.

Accesorios

Los siguientes accesorios opcionales para su secadora pueden solicitarse al servicio técnico (consulte la página 67) o a su distribuidor local. ¡Rogamos tener en cuenta las instrucciones de instalación que provee el fabricante!

Juego para salida lateral



N° de parte: **WTZ1265**

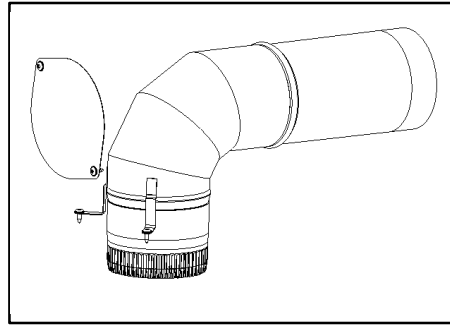
Nota:

Consulte las notas sobre la cantidad máxima de codos en la página 52.

i Se necesita una herramienta especial para calar el orificio del escape en el panel lateral de la secadora.

Para obtener más información, comuníquese con su distribuidor local.

Juego de salida inferior



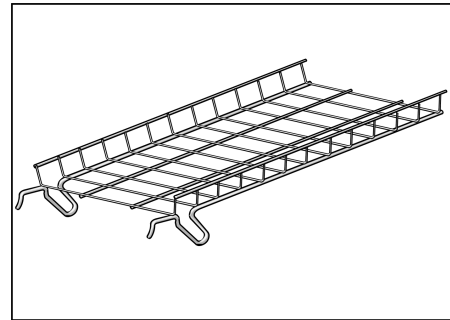
N° de parte: **WTZ1270**

Nota:

Consulte las notas sobre la cantidad máxima de codos en la página 52.

i El kit de escape de la parte inferior no puede usarse con un pedestal instalado en la secadora ni si la secadora está apilada con la lavadora.

Canastilla para secar



N° de parte: **WTZ1620**

Utilice la canastilla para secar prendas de lana lavables (p. ej. suéteres) y calzados.

Montje sobre pedestal

Se encuentra disponible como accesorio para su secadora un pedestal de almacenamiento con un cajón extraíble. El pedestal agrega aproximadamente 15 pulgadas a la altura de la secadora. Consulte la página 11 para obtener las dimensiones.



La pieza n.º **WTZ 1610** es para un pedestal blanco liso.

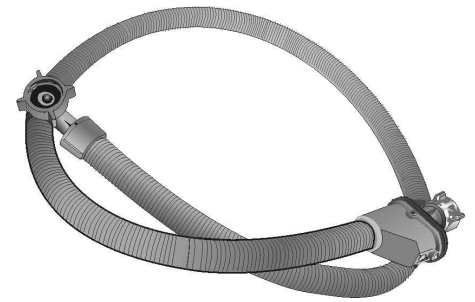
Puede haber otros colores de pedestales disponibles.

Identifique la pieza n.º WTZ 1610 "X" en la que la X designa un color disponible (p. ej., A para antracita, P para plata). Consulte a su distribuidor sobre las opciones de colores disponibles.

También puede consultar un catálogo de productos actual o visitar nuestra página web: www.boschappliances.com

Si monta la secadora sobre un pedestal, siga las instrucciones suministradas con el pedestal.

manguera AquaStop™



N° de parte: **WTZ1630**

La manguera Aquastop™ cuenta con una tecnología de contención externa que evita posibles inundaciones en caso de fugas en la manguera. Si la manguera Aquastop™ presenta fugas, aparece una marca roja y se bloquea la entrada de agua. No se puede reprogramar una manguera Aquastop™ activada. El kit incluye una manguera Aquastop™.

Kits para apilar

Hay dos kits para apilar disponibles.

Kit para apilar básico

Este kit permite anclar la secadora encima de la lavadora y agrega, aproximadamente, 0.63 pulgadas (16 mm) a la altura de los electrodomésticos apilados. Consulte la página 53 para obtener las dimensiones.

La pieza n.º **WTZ 1601** es para el kit para apilar mecánico básico.

Kit para apilar con estante extraíble

Este kit sirve para apilar la secadora encima de la lavadora y también proporciona un estante extraíble. Este kit agrega aproximadamente 1.52 pulgadas (38.6 mm) a la altura de la lavadora/secadora apiladas. Consulte la página 53 para obtener las dimensiones.

Este kit también puede combinarse con el kit para montaje sobre pedestal para proporcionar un estante extraíble, así como también un aumento combinado de altura de la secadora de, aproximadamente, 16.5 pulgadas.

i El pedestal no puede combinarse con el kit para apilar con estante extraíble en instalaciones de lavadora/secadora.

La pieza n.º WTZ 1600 es para el kit para apilar con estante extraíble blanco liso.

Puede haber otros colores de kits para apilar con estante extraíble.

Identifique la pieza n.º WTZ 1600 "X" en la que la X designa un color disponible (p. ej., A para antracita, P para plata). Consulte a su distribuidor sobre las opciones de colores disponibles.

Preparar el secador para el transporte, paso a paso

i Estos procedimientos deben ser realizados por personal calificado únicamente.

1. Gire el selector de programas a la posición «Off».
2. Desconecte la alimentación (apague el disyuntor, desenchufe el electrodoméstico).
3. Cierre el grifo de agua conectado a la manguera de suministro de agua. Desconecte la manguera de suministro de agua.
4. Desconecte el tubo de ventilación de la salida correspondiente en el secador.
5. Recoja todos los accesorios y embálelos para enviarlos con el electrodoméstico.
6. Cierre la puerta y asegúrela con cinta adhesiva.
7. Atornille los pies ajustables en altura hasta que queden dentro de la carcasa para evitar que se dañen durante el transporte.
8. **Reinstalación del secador en una nueva ubicación** – Consulte las Instrucciones de Instalación en este manual (ver página 40).

INSTRUCCIONES DE FUNCIONAMIENTO

Antes de usar



ADVERTENCIA

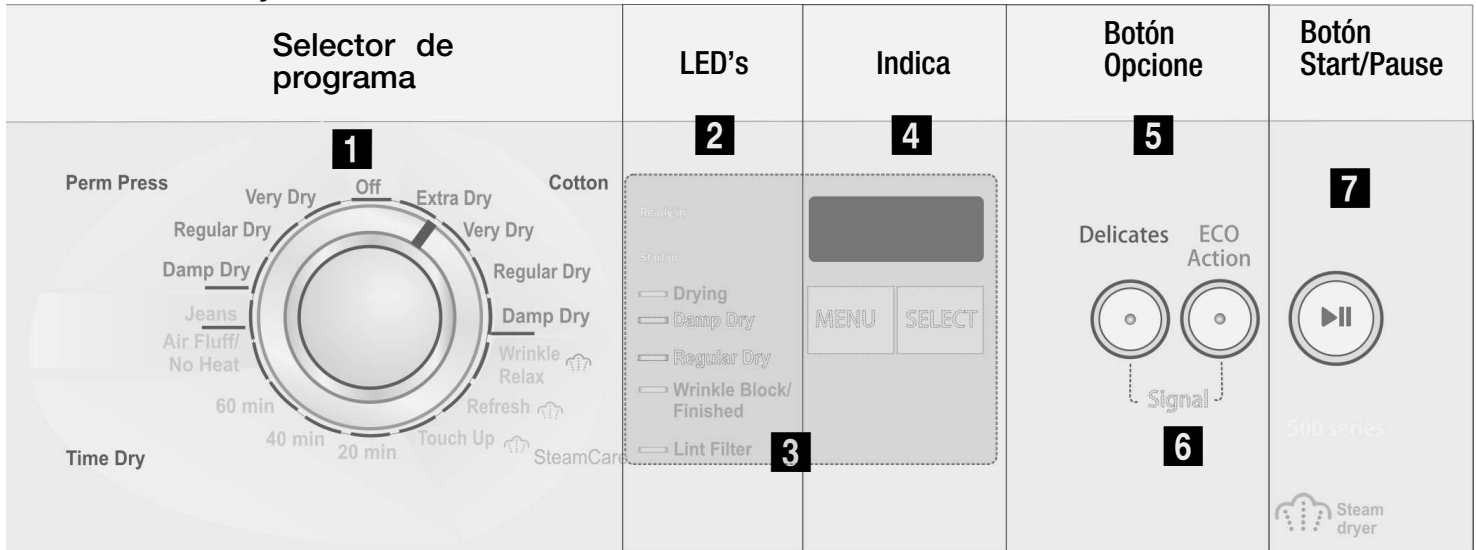
Para reducir el riesgo de incendio, descargas eléctricas o lesiones a las personas, lea las INSTRUCCIONES DE SEGURIDAD IMPORTANTES antes de operar este electrodoméstico.



ADVERTENCIA

Antes de usar su secadora, lea y siga todas las instrucciones de la instalación y funcionamiento.

Panel de manejo



1 Selector de programa

Selecciona el programa. Ver página 57.

Puede girárselo en ambas direcciones.

Para apagar el secador, conmutar el selector de programa a «Off».

2 Luces indicadoras (LED)

Los indicadores luminosos se encienden en secuencia para mostrar el estado de humedad actual del proceso de secado.

Protección contra arrugado – al final del programa de secado, suena una señal acústica y se enciende el indicador luminoso Wrinkle block® (Protección contra arrugado). El tambor rota a intervalos específicos durante una hora para evitar que la ropa se arrugue (ver página 58).

3 El LED del filtro atrapelusas

Titila para recordarle que debe limpiar el filtro atrapelusas antes y después de usarlo.

También titila cuando se abre la puerta durante un programa.

4 Display

Series 300 y 500

La cuenta regresiva de LED indica el tiempo restante estimado de un ciclo que está funcionando (en minutos).

Serie 800

Indica los ajustes de las opciones adicionales y el tiempo restante estimado de los programas. (Ver página 25)

Opciones adicionales

Menu (Menú) selecciona una de las opciones adicionales

Select (Seleccionar) cambia los ajustes de la opción seleccionada

5 Botón Opcione

Agregue funciones al programa seleccionado. El indicador luminoso está encendido cuando el botón de opciones está seleccionado. Presione el botón de opciones nuevamente para apagar la opción (el indicador luminoso se apaga).

Delicates (Ropa fina): Presione el botón Delicates low temp. (Ropa fina baja temperatura) para tratar prendas sensibles a la temperatura (p. ej., fibras de acrílico). Se reduce la temperatura y se prolonga el tiempo que dura el proceso de secado, en la misma proporción.

ECOAction (Acción ecológica): Presione este botón para un ahorro adicional de energía (úselo únicamente para los ciclos cotton (Algodón) y permanent press (Planchado permanente)). Presione el botón de opción antes de comenzar un ciclo automático.

6 Signal

Series 300 y 500

Presione ambos botones de opción al mismo tiempo para activar la señal acústica. Cuando termina el ciclo, se emitirá un sonido de bip de forma audible (consulte la página 57). Presione ambos botones nuevamente para desactivar la señal.

800 Series

La señal de la serie 800 se programa usando el LCD Menu (Menú LCD) (consulte la página 60).

7 Botón Start/Pause

Arranque y parada)

Arranca, interrumpe y para el proceso de secado.

Estado del indicador luminoso Start/Pause (Arranque/Pausa)

Luz titilante: Pueden cambiarse los ajustes, puede arrancarse el ciclo de secado, o el programa está en modo "Pause" (Pausa).

Luz titilante: Pueden cambiarse los ajustes, puede arrancarse el ciclo de secado, o el programa está en modo "Pause" (Pausa).

No encendida: El programa finalizó, o no se ha seleccionado ningún programa.

Información adicional de seguridad



ADVERTENCIA

Tenga siempre en cuenta las INSTRUCCIONES DE SEGURIDAD IMPORTANTES (Ver página 38).

Protección del medio ambiente

Consejos para la racionalización de energía

Bosch recomienda lo siguiente, para racionalizar energía, dinero y tiempo:

- **¡Escorra la ropa prolijamente!**
Antes del secado, centrifugue bien la ropa en la lavadora. ¡Use la velocidad de centrifugado más alta posible para el tipo de ropa que esté lavando! Las velocidades de centrifugado más altas de la lavadora reducen la humedad residual y disminuyen el tiempo de secado y el consumo de energía.
- **¡Utilice la carga óptima!**
Use cargas más grandes, hasta las cargas máximas recomendadas para el ciclo y el tipo de ropa. Pero no exceda la capacidad de carga máxima recomendada.
- **¡Limpie el filtro atrapapelusa!**
Verifique el filtro atrapapelusa antes de cada uso de la secadora y, si es necesario, limpie el filtro. Asegurarse de que el filtro atrapapelusa esté limpio antes de comenzar cada carga de secado genera un mejor flujo de aire y un menor tiempo de secado. 27).
- **¡Ventile el ambiente de emplazamiento!**
Proporcione un suministro de aire fresco adecuado durante el proceso de secado.
- **¡No seque materiales inadecuados!**
No seque prendas engomadas o impermeables.
- **¡Limpie e inspeccione el sistema de escape en forma regular!**
Las obstrucciones pueden prolongar el tiempo de secado o hacer que el secador funcione mal.

Desconexión temporal del secador

Opere su secadora únicamente cuando esté en el hogar. Si planea irse de vacaciones o no está usando su secadora durante un período prolongado, debe:

1. Corte el conmutador de alimentación.
2. Desenchufar la fuente de alimentación, si es posible.
3. Limpie el filtro de pelusas.
4. Apagar el suministro de agua (se aplica únicamente a las secadoras Steam).

Ropa

Identificación de prendas

Observe el símbolo que determina el tratamiento en las etiquetas de las prendas. Éstas proveen información importante respecto de eventuales limitaciones concernientes al proceso de secado.

No seque textiles de los siguientes tipos:

- Impermeables (p. ej. engomadas)
- Ropa fina (seda, cortinas sintéticas)

i ¡Seque prendas de lana o con alto contenido de lana, únicamente sobre la cesta!

i Utilice le programa «Air fluff/no heat» (Suavizado a aire/ningún calor) para secar materiales de espuma de goma o similares.

Consejos para el secado

En principio, lo siguiente encuentra aplicación en todos los programas:

- Para lograr un secado uniforme, seleccione la ropa de acuerdo al tipo de prenda y al programa a utilizar.
- Cierre los zípers, los cierres de gancho y ojal, los cinturones sueltos, las cuerdas de los delantales, etcétera.
- No seque demasiado prendas de fácil cuidado. ¡Existe el peligro que se arruguen! Deje que estas prendas se sequen al aire libre.
- No planche la ropa inmediatamente después de secarla. Deje la ropa apilada por un momento. De esta manera se distribuye de modo parejo la humedad.
- Las telas tejidas (p. ej., camisetas, sudaderas y otros tipos de ropa similares) con frecuencia se encogen cuando se lavan por primera vez. No use los ciclos “Very dry/Extra dry” (Muy seco/Secado extra) la primera vez que seca estos tipos de ropa para evitar un posible encogimiento.

Algunas prendas, como las mencionadas, también pueden encogerse durante un ciclo posterior. Tenga cuidado cuando seleccione el ciclo para evitar encogimientos.

Selección del ciclo

Para obtener resultados de secado óptimos, su secador ofrece varios grupos de programas y opciones adicionales.

Los ciclos automáticos incluyen Regular/Cotton (Normal/Algodón) y Permanent press (Planchado permanente). La selección del ciclo se basa, en parte, en el tipo de tejido del lavado. Estos ciclos están controlados por medio de sensores de humedad. El tiempo del ciclo está determinado por el grado de humedad medido en la ropa y por el grado de secado seleccionado (p. ej., Damp dry (Secado húmedo), Regular Dry (Secado normal), Extra Dry (Secado extra).

Los ciclos programados funcionan durante un período de tiempo especificado por el usuario. El ciclo programado Air fluff/No heat (Aireado/Sin calor) usa aire ambiente (a temperatura ambiente) sin agregar calor y funciona durante, aproximadamente, 20 minutos, según el modelo de secadora específico.

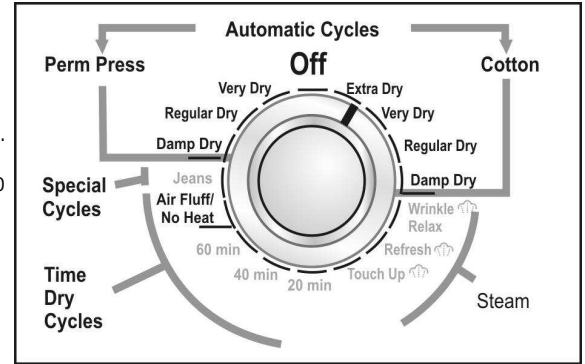
Los ciclos especiales están diseñados a medida para tipos de tejidos específicos, como lana o mezclilla. La lana o los productos de la lana deben secarse únicamente con la rejilla de la secadora.

Los ciclos Steam son mejores para eliminar arrugas y reducir olores. Estos programas deben usarse con cargas que consistan en tres o cuatro prendas de algodón inarrugable, mezcla de algodón/poliéster, suéteres de algodón tejido o fibras sintéticas. Los Ciclos del vapor están disponibles en 500 y 800 Secadores de la Serie con el logo de Vapor en el panel.

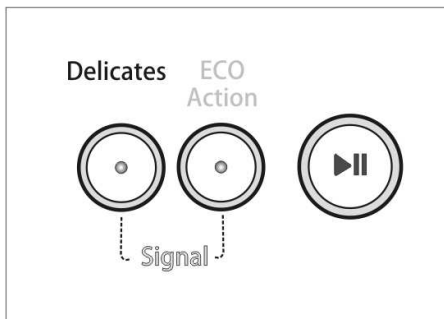
Durante los ciclos Steam se rocía una pequeña cantidad de agua en el tambor mientras la carga de ropa gira con calor. Se repite este proceso, seguido de un período adicional de giros y un breve período de enfriado. El nivel y el tiempo de calor están programados previamente para estos ciclos.

Nota: Los resultados pueden variar según el tipo de tejido. Las prendas de 100% algodón con acabado antiarrugas pueden dar mejores resultados.

Si la boquilla deja de pulverizar durante uno de los ciclos **Steam** (los síntomas serían que no se observa pulverización de agua en el tambor, la ropa tiene más arrugas que lo habitual con esta función), asegúrese de que la boquilla no esté obstruida. Es posible que se acumule pelusa que obstruya la punta de la boquilla, o el agua dura puede provocar acumulación de sarro en la boquilla (ver página 64).



Option Buttons (Opciones)



Delicates (Ropa fina)

Presione el botón "Delicates" (Ropa fina) para telas sensibles a la temperatura. Respete la información o los símbolos de cuidado que traen las telas. La temperatura del proceso de secado se reduce y el tiempo de secado se extiende al usar esta opción.

ECOAction (Acción ecológica)

Su secador tiene una opción ECO para "ahorro de energía". Esta opción se usa sólo con los programas automáticos para algodón y planchado permanente. Se reduce la temperatura y se prolonga el tiempo que dura el proceso de secado. Presione el botón de la opción antes de arrancar un programa automático. Use esta opción con tamaños de carga de hasta 1/2 carga.

- i** El tamaño de la carga, el tipo de tejido y las condiciones climáticas afectan la opción "ahorro de energía" del programa ECO Θ .
- i** La combinación del botón "Delicates" (Ropa fina) puede producir aun más ahorros.

Signal (Señal)

300 y 500 Serie

Su secadora emite de forma audible una señal de bip para alertar al usuario acerca de determinados eventos. Active la señal presionando simultáneamente los botones de opción "Delicates" (Ropa fina) y "ECOAction" (Acción ecológica).

Para desactivar la señal, presione ambos botones de opción (también en este caso, presionando ambos al mismo tiempo). Cada vez que se presionan los dos botones de opción juntos se conmuta el encendido o apagado de la señal.

No es necesario mantener los botones presionados después de presionarlos.

La señal emitida variará según la siguiente tabla.

Señal	Tipo
Arranque	Sonido corto
Fin de programa	Secuencia de sonidos cortos
Selección incorrecta	Secuencia de sonidos prolongados
Advertencia de mal funcionamiento	Secuencia de sonidos prolongados

- i** La señal "Warning of malfunction" (Advertencia de mal funcionamiento) está siempre activa, se haya presionado o no el botón "Signal" (Señal).

Indicadores de LED de la secuencia del ciclo

La secadora usa un sistema de escáner electrónico en todos los ciclos, excepto los ciclos programados. Un sensor de humedad verifica continuamente la humedad en la ropa. El secado finaliza automáticamente tan pronto como se alcanza el grado de secado seleccionado.

El grado de secado actual está representado por las luces indicadoras de LED. Cada luz se ilumina en sucesión a medida que avanza el secado.

La luz de LED a la izquierda de "Drying" (Secado) se ilumina cuando comienza el ciclo de secado seleccionado. En los modelos selectos, las luces de LED de "Damp Dry" (Secado húmedo) y "Regular Dry" (Secado normal), indican cuándo se llega a cada etapa.

Cuando la carga está lista, la luz de LED al lado de "Wrinkle Block®/Finished" (Protección contra arrugado/Terminado) se ilumina.

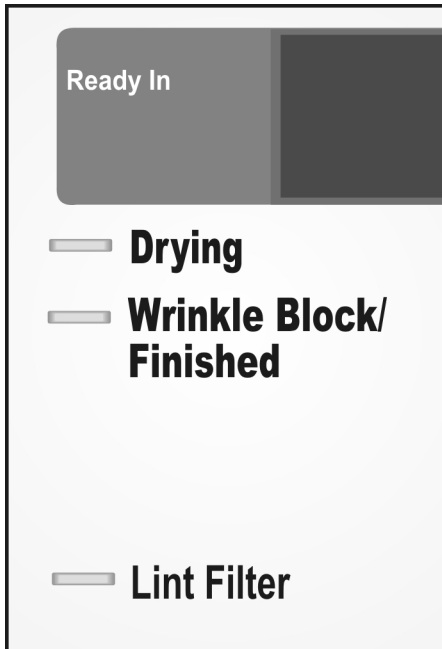
"Wrinkle Block®/Finished"

El tambor continúa girando a intervalos específicos durante una hora para ayudar a disminuir la cantidad de arrugas de la carga de ropa. Retire la ropa cuando termine el ciclo, o dentro del período "Wrinkle Block®" (Protección contra arrugado) a fin de obtener los mejores resultados.

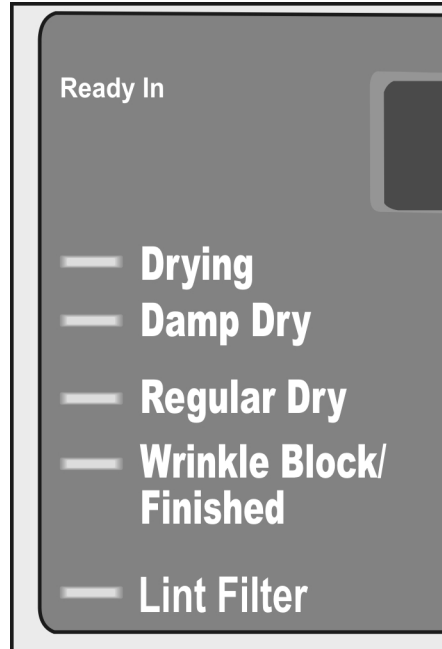
La función Wrinkle Block® (Protección contra arrugado) comienza cuando termina la fase de secado para todos los ciclos, excepto para el ciclo de lana. Después de la finalización de un ciclo de secado, la función Wrinkle Block® (Protección contra arrugado) hace girar el tambor durante, aproximadamente, 16 segundos cada dos minutos durante los primeros 10 minutos. Luego, aproximadamente, 16 segundos cada 5 minutos durante los siguientes 50 minutos.

Los indicadores de LED varían según el modelo

Luces de LED de las secadoras de la serie 300



Luces de LED de las secadoras de la serie 500



Luces de LED de las secadoras de la serie 800



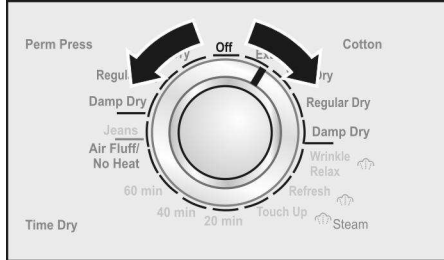
i Si algún LED o botón se ilumina en el panel cuando el selector de ciclo se coloca en la posición "Off" (Apagado), apague el disyuntor y llame a servicio a clientes.

Tabla de selección de ciclos

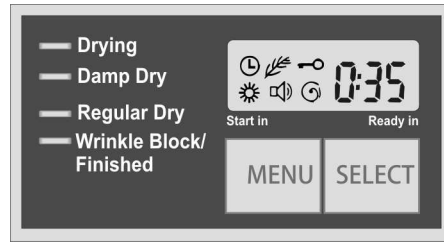
Programas automáticos		
Cotton (Algodón) Para algodón o ropa de color hecha de algodón o lino. Presione el botón de opción "Delicates" (Ropa fina) para telas sensibles a la temperatura.		
Damp dry (Húmedo seco)	Sábanas, manteles y toallas	debe plancharse
	Sábanas, manteles y toallas, camisetas, camisetas deportivas, ropa de trabajo	
	Camisetas, camisetas deportivas, trajes, pantalones, ropa de trabajo e interior	
Regular dry (Medianamente seco)	Toallas de rizo, repasadores, y toallas de mano, sábanas, ropa interior, soquetes de algodón	que no debe plancharse
Very dry (Muy seco)	Toallas de rizo, repasadores, y toallas de mano, sábanas, ropa interior, soquetes de algodón	que no debe plancharse gruesos multicapa
Extra dry (Extra seco)	Salidas de baño de rizo y sábanas de rizo,	particularmente gruesas o multicapa
Permanent Press (Planchado permanente) Ropa de fácil cuidado (sin centrifugar) de fibra sintética o mezcla, algodón con poliéster. Presione el botón «Delicates» para prendas extremadamente sensibles a altas temperaturas.		
Damp dry (Húmedo seco)	Pantalones, trajes, faldas, camisetas, blusas, jeans, ropa deportiva con abundante fibra sintética, lencería	que no debe plancharse o solo ligeramente
Regular dry (Medianamente seco)	Camisetas, blusas, ropa deportiva	que no debe plancharse
Very dry (Muy seco)	Sábanas y manteles, equipos de gimnasia, anoraks , frazadas	que no debe plancharse gruesos multicapa
Steam Ciclos		
Steam Refresh	Algodón, mezclas de algodón/poliéster, tejidos comunes y camisetas sintéticas, pantalones, faldas, camisetas y pulóveres de mezcla de algodón. Los tejidos inarrugables dan los mejores resultados. Ayuda a alisar las arrugas y reducir los olores. Úselo con una carga ligera, por ejemplo, 3 ó 4 camisetas. El programa dura aproximadamente 16 minutos.	
Steam Wrinkle relax	Ayuda a alisar las arrugas. Úselo con una carga ligera, por ejemplo, 3 ó 4 camisetas. El programa dura aproximadamente 12 minutos.	
Steam Touch up	Este programa se usa para retocar una carga de tejidos de algodón que se ha secado y ha quedado en el tambor del secador durante toda la noche, al finalizar el ciclo. Este programa de 20 minutos retoca la carga para ayudar a alisar las arrugas causadas por el propio peso de la carga.	
	La ropa que contiene espuma, hule o plástico debe dejarse secar en un tendedero o usando el ciclo Air fluff/No heat (Suavizado a aire/Ningún calor) ya que estos artículos pueden prenderse fuego debido al calor que emite el programa Steam.	
Special Programs		
Wool	Tejidos de lana lavables (p.ej., suéteres, pulóveres de lana, faldas) ¡Los tejidos de lana secos o con alto contenido de lana deben secarse sólo con la canastilla del secador!	
Jeans (Mezclilla)	Tela de mezclilla gruesa	
Dark Color (Serie 800)	La oscuridad coloró textiles (ropa por ejemplo pesada y oscura (algodón))	
Active Wear (800 Series)	Cargas pequeñas, cargas que necesitan un tiempo de secado corto (p. ej., camisetas deportivas, prendas para hacer ejercicio (telas de poliéster, nylon, sintéticas)	
Programas temporizados		
20, 40 min., 60 min. (Serie 300/500) Medium + required drying time (800 Series) (Serie 800) Si selecciona un programa de duración variable (p. ej., programas de tiempo, para lana) la pantalla comienza a centellear. Debe ajustar el tiempo.	Prendas centrifugadas con bajo contenido de humedad, pequeños artículos individuales, p. ej., toallas de baño, trajes de baño, repasadores. Para la condición de carga más pequeña, de 0.22 lb a 0.44 lb (es decir, una toalla pequeña) debe seleccionarse un programa de secado por tiempo. Presione el botón "Delicates" (Ropa fina) para la opción de telas sensibles a la temperatura. – Para algodón y ropa de color hecha de algodón o lino. – Textiles sensibles a altas temperaturas.	
Air fluff/No heat (Suavizado a aire/Ningún calor)(500 Series) Air fluff / No heat + required time (800 Series)	Refresca o airea prendas con poco uso y seca telas extremadamente sensibles. Para todo tipo de telas, incluida la goma espuma (p. ej., almohadas, muñecos de peluche), el plástico (p. ej., cortinas de baño, manteles), hule (p. ej., alfombras con cubierta de hule), nylon muy fino, olefinas.	

Opciones adicionales Serie 800

i Las opciones adicionales sólo se pueden programar después de seleccionar el ciclo de secado. Gire el Selector de ciclo hasta el ciclo de secado deseado, luego seleccione las opciones deseadas en el LCD Menu (Menú LCD).



Seleccione la opción que desea cambiar con el botón "Menu" (Menú). Presione el botón para moverse hasta la siguiente opción de la pantalla. El símbolo activo titila.



Se muestra la programación para la opción seleccionada en el lado derecho de la pantalla de LCD.

Cuando se muestra activamente, se puede cambiar una programación con el botón "Select" (Seleccionar). Presione el botón "Select" (Seleccionar) para mostrar la próxima programación posible.

i Presionar el botón "Menu" (Menú) mientras se muestra una opción guarda la nueva programación.

i Si usted no aprieta ningún botón por 10 segundos, los ajustes son guardados automáticamente.

Símbolo	Función	Ajustes posibles	Explicación	
	Ajusta el retraso del tiempo de iniciación del secador (Arranque en ... horas!)	0 a 12 h (pasos de 0.5 hs)		
	Cuidado intensivo (más cuidadoso que «Delicates/low heat» (Ropa fina/baja temperatura))	On/Off	Si usted ha elegido la opción adicional "Extra care" (Cuidado extra), la luz indicadora "Delicates" (Ropa fina) se ilumina. Presionar el botón "Delicates" (Ropa fina) cancela la opción adicional "Extra care" (Cuidado extra).	
	Bloqueo de datos (efectivo solamente mientras el programa está en curso)	On/Off	Esta opción adicional permite que usted trabaje sus ajustes para prevenir el uso involuntario del secador. Para encender el secador cuando el protector de seguridad esté activo: Presione y sostenga el botón "prender y parar" por 4 segundos. Para abrir esta opción adicional cuando el secador está funcionando: Presione y sostenga el botón "prender y parar" por 4 segundos.	
	Extra Drying Time Grado de secado seleccionable por el usuario	0, 1, 2, 3 (0=default, 1=dryer, 3=dryest)	Si usted ha elegido los pasos 1 a 3 de la opción adicional "grado de la sequedad" se exhibe el símbolo Z. 0 es el estándar que fija 0 símbolos no se exhibe Z.	
	Volumen de la señal de finalización de programa y de secado	Off, Continuo, Máximo	Su secador hace salir diversas señales para ciertos acontecimientos. Usted puede permitir o inhabilitar la señal simultáneamente presionando los botones demostrados.	
<p>Comportamiento de las señales al final del ciclo seleccionado</p> <p>La señal sonará cuando el ciclo termine para avisarle al usuario que el ciclo ha finalizado. "Wrinkle Block®" (Protección contra arrugado) girará la carga periódicamente durante, aproximadamente, una hora después de que finalice el ciclo. La señal sonará a intervalos durante "Wrinkle Block®" (Protección contra arrugado) como recordatorio de que la carga está lista.</p>			Event	
			Signal (señal)	
			Permita la señal	Tono corto
			Inhabilite la señal	Dos tonos cortos
			Inicio del Ciclo	Tono corto
			Finalización del ciclo [o durante "Wrinkle Block®" (Protección contra arrugado)]	Secuencia de tonos cortos
Mal-Operación	Secuencia de tonos cortos			
Cuidado del malfuncionamiento	Orden de longitudes tonales (volumen máximos)			
	El tiempo de secado optimizado para la velocidad de centrifugado coordina el tiempo restante mostrado para el secador con la velocidad de centrifugado a la cual se centrifugó previamente la ropa en la lavadora	400 600 800 1000 120	Para optimizar la pantalla de tiempo restante, la velocidad de centrifugado a la cual se centrifugó previamente la ropa en la lavadora puede ser ingresada por el usuario.	

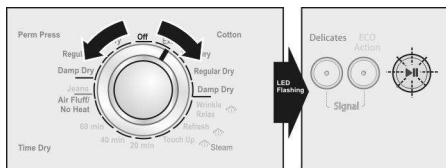
Funcionamiento

Uso del secador

1. Abra la puerta.
2. Verifique el filtro atrapelusa

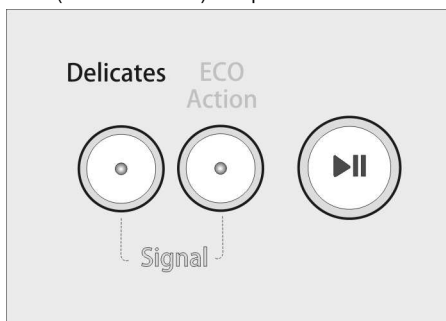
El filtro debe limpiarse antes del secado de cada carga de ropa. Limpiar el filtro reduce el tiempo de secado y ahorra energía. (consulte la página 62 para obtener instrucciones de limpieza para el filtro atrapelusa).

- i** Bleach may cause discoloration of the dryer's colored surface. Therefore, it is important to keep bleach away from the colored surface of your dryer. If any bleach spills on the surface, immediately use a moist paper towel to thoroughly clean it.



3. Gire el Selector de ciclo hasta el ciclo de secado deseado. Seleccione de la tabla de selección de ciclos el programa que corresponda a la ropa que se encuentre en la secadora (consulte la página 59). La luz de la secadora se enciende dentro del tambor cuando se selecciona un ciclo.

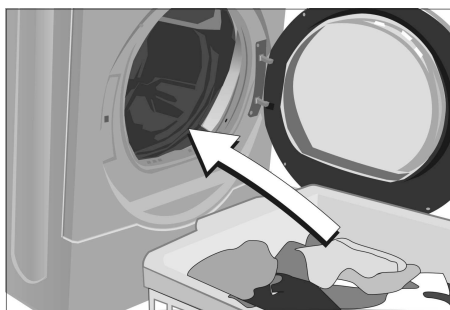
- i** La luz indicadora Start/Pause (Inicio/Pausa) empieza a titilar.



4. Si es necesario, seleccione un opción disponible ["Delicates" (Ropa fina) o "ECOAction" (Acción ecológica)] presionando el botón correspondiente (consulte la figura anterior).

El efecto de cada botón de opción se explica en la página 22.

- i** Se mostrará el tiempo restante estimado.



5. Coloque la ropa en el tambor vacío. Ponga cada prenda dentro de la máquina por separado para reducir el amontonamiento.

Para un resultado óptimo, debe separarse la ropa en función de su tipo y el grado de humedad residual deseado. Para más información, consulte la página 60.

- i** Respete las instrucciones del fabricante sobre lavado y secado, según la ropa y el tejido. Si necesita secar ropa de lana y calzado, consulte la información de la página 63.

- i** Asegúrese de que sólo haya ropa en el tambor. Verifique que todas las prendas estén completamente dentro del tambor y que ninguna esté atrapada entre la puerta y la carcasa de la secadora o el sello de la puerta.

6. Cierre la puerta. La luz indicadora «Start/Stop» continúa a centellear.
7. Presione el botón "Start/Pause (Inicio/Pausa). El ciclo seleccionado comienza y la luz indicadora Start/Pause (Inicio/Pausa) deja de iluminarse en forma intermitente y permanece encendida.

- i** Si la puerta no fue cerrada correctamente, el secador no arrancará.

- i** El ciclo se inicia con una señal acústica (si está programada). Consulte la página 57 para obtener información sobre cómo programar la señal en secadoras con pantalla de LED, y la página 60 para obtener información sobre cómo programar y ajustar la señal en secadoras con pantalla de LCD.

Indicadores de LED del progreso del ciclo

Si ha sido seleccionado un ciclo de secado estándar (no un ciclo de secado programado) las luces indicadoras indican el progreso de la secuencia del ciclo. La secuencia de LED que se muestra a continuación es para las secadoras de las series 500 y 800. La secadora de la serie 300 tiene luces de LED para "Drying" (Secado) y "Wrinkle Block®/Finished" (Protección contra arrugado/Terminado).



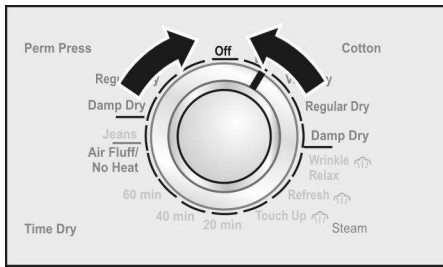
- i** Cuando finaliza el ciclo, se emite una señal acústica (si está programada) y la luz de LED "Wrinkle Block®/Finished" (Protección contra arrugado/Terminado) se ilumina.

La señal acústica continuará sonando intermitentemente durante "Wrinkle Block®" (Protección contra arrugado).

- i** Cuando el proceso de secado está completo (cuando finaliza el ciclo o el tiempo seleccionado), el tambor gira a intervalos específicos durante 1 hora debido a la característica "Wrinkle Block®" (Protección contra arrugado). Esto evita la formación de arrugas en la ropa. La ropa permanece suelta y aireada hasta que se la retira. La ropa debe retirarse antes de que transcurra este tiempo.

8. Abra la puerta.

9. Saque la ropa del secador.



10. Gire el selector de programas a la posición «Off». La luz del secador se apaga.
11. Limpie el filtro. El filtro debe limpiarse después de cada proceso de secado. Un filtro limpio reduce el tiempo de secado y ahorra energía.
12. Cierre la puerta.

Limpiar el filtro para pelusas

Un filtro sucio extiende el tiempo de secado y aumenta el consumo de energía. El filtro debe limpiarse antes de cada carga de ropa.

Si se emite una señal de advertencia y un mensaje de advertencia "CLn" o "E:12" durante un programa de secado, limpie el filtro inmediatamente y verifique el conducto del escape.

i El programa se interrumpe automáticamente.

No enjuague ni lave el filtro para retirar la pelusa. La pelusa mojada es más difícil de retirar. Remueva la pelusa seca para retirarla con los dedos. Puede humedecerse los dedos ligeramente para obtener mejores resultados.

Para limpiar el filtro atrapapelusas siga estos pasos:

1. Apague el secador. Coloque el selector de programas en "Off" (Apagado).

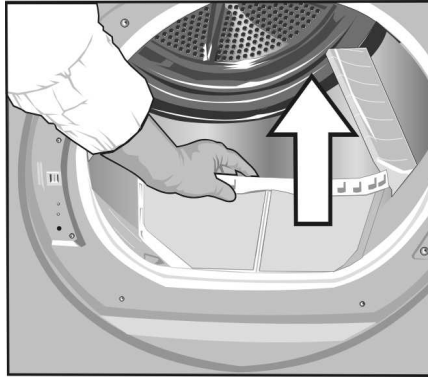


CUIDADO

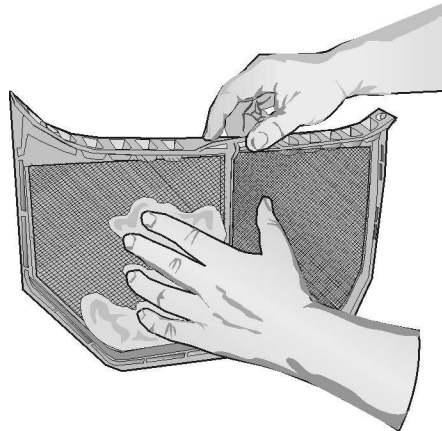
El interior de la puerta se calienta durante el proceso de secado. Evite tocar cualquier superficie caliente hasta se haya enfriado.

2. Abra la puerta.

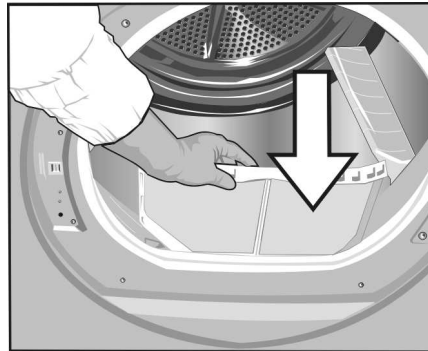
3. Quite el filtro.



4. Quite las pelusas pasando la mano sobre el filtro.



5. Coloque el filtro.



6. Cierre la puerta.

i ¡No opere la secadora sin el filtro atrapapelusa en su lugar!

Retirar la acumulación de residuos

El detergente para ropa y el suavizante de tejidos pueden acumularse en la pantalla del filtro atrapapelusa. Esta acumulación puede provocar tiempos de secado más largos. No se recomienda el uso de toallitas para secadora. Si usted decide usar toallitas para secadora, limpie el filtro atrapapelusa periódicamente para retirar los residuos.

i Si cae pelusa de la pantalla mientras está en la secadora, es probable que se necesite retirar la acumulación de residuos.

El filtro debe cepillarse levemente al menos dos veces al año con agua tibia con jabón. Un filtro con acumulación de residuos tiende a impedir el paso del agua incluso cuando la malla se encuentra sin pelusas. El filtro está limpio cuando deja de impedir el paso del agua. El filtro debe secarse bien antes de insertarlo nuevamente en la secadora.

Para retirar los residuos, siga estos pasos:

1. Limpie toda la pelusa del filtro atrapapelusas.
2. Humedezca ambos lados de la malla del filtro con agua caliente.
3. Moje un cepillo de nylon suave con agua caliente y detergente líquido.
4. Frote ligeramente el filtro atrapapelusas con el cepillo para retirar la acumulación de residuos. Tenga cuidado de no dañar el filtro.
5. Enjuague el filtro con agua caliente.
6. Seque bien el filtro atrapapelusas con una toalla limpia.
7. Vuelva a colocar el filtro atrapapelusas en el secador.

i ¡No opere la secadora sin el filtro atrapapelusa en su lugar!

Uso de la canastilla

(Accesorio, ver página 53)

Utilice la canastilla para secar prendas de lana lavables (p. ej. suéteres) y calzados. La canastilla para secar permanece quieta mientras el tambor gira.

La lana húmeda no debe secarse girando en el tambor, ya que tiende a apelmazarse y encogerse. Secar calzado sin la rejilla puede dañar el tambor.

i Utilice la canastilla del secador para secar con el ciclo para prendas de lana. Si no se usa la canastilla, el sensor apagará el secador después de 3 minutos aproximadamente, y la pantalla mostrará “----”.

AVISO

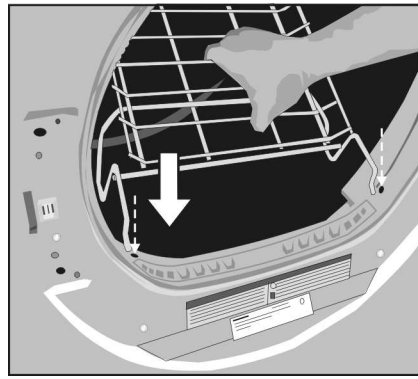
¡Seque solamente una prenda o un par de zapatos por vez! ¡La carga máxima para secar es de 2,2 lbs (1 kg)! ¡La ropa debe haberse centrifugado! ¡El calzado a secar debe presentar solamente la humedad residual después de un lavado! ¡La ropa no debe tocar el tambor! Puede engancharse en éste y dañarse. Una vez utilizada la canastilla para secar, sáquela inmediatamente del secador.

Colocar la canastilla para secar

1. Abra la puerta del secador.
2. Controle que el tambor esté vacío..



3. Sostenga la rejilla de la secadora por la sección central como se muestra a continuación e insértela completamente dentro del tambor, en sentido horizontal. Luego, vuelva a traerla hacia adelante y alinee los extremos delanteros con los dos orificios al lado del filtro atrapapelusa.



4. Con los extremos delanteros enganchados en los orificios, baje la parte trasera de la rejilla de modo tal que se asiente en su lugar, afirmada contra la superficie interna de la carcasa de la secadora.

Secar prendas de ropa sobre la canastilla

1. Doble su ropa de modo tal que quepa en la rejilla de la secadora.
2. Las prendas deben colocarse de modo tal que queden sueltas sobre la rejilla de la secadora. No apile ropa de modo que quede comprimida sobre la rejilla. No permita que las prendas toquen el tambor. Las prendas deben tocar únicamente la rejilla y no deben colgar por encima de los bordes de la rejilla.
3. Cierre la puerta y asegúrese de que no quede ropa atrapada entre la puerta y la carcasa o el sello de la puerta.
4. Para las prendas de lana, seleccione el ciclo Wool (Lana), si está disponible. Para otras prendas, seleccione uno de los ciclos programados.

Seleccione el tiempo de secado de acuerdo con el tipo de ropa.

Secar calzado sobre la canastilla:

1. Prepare el calzado.
 - Limpie el calzado para evitar que el tambor se ensucie.
 - Si está preparando calzado deportivo para secarlo, extienda la lengüeta
 - Afloje o quite los cordones.
 - Extraiga partes adicionales como plantillas.
2. Coloque el calzado sobre la canastilla.
 - Directamente sobre la canastilla o bien

- Coloque una toalla y, sobre ésta, los tacos del calzado. Esto conducirá a un resultado más uniforme del secado.
3. Cierre la puerta.
 4. Presione el botón “Start/Pause” (Inicio/Pausa). La luz indicadora Start/Pause (Inicio/Pausa) se ilumina.
 5. Si el calzado aún contiene humedad residual después del tiempo de secado indicado:
 - Cambie la orientación del calzado sobre la rejilla secadora.
 - vuelva a hacer arrancar el proceso de secado y seleccione un tiempo de secado menor, según el grado de humedad residual.
 6. Después del secado, airee el calzado a temperatura ambiente durante, aproximadamente, 30 minutos.
 7. Quite el filtro.

Limpeza y cuidado

Limpeza del secador



ADVERTENCIA

PARA EVITAR

¡PELIGRO DE EXPLOSIONES!

Nunca utilice solventes o líquidos altamente inflamables para la limpieza.

AVISO

La limpieza incorrecta puede dañar la secadora. No rocíe con una lavadora a presión. No use agentes de limpieza abrasivos ni limpiadores multiuso. No use limpiadores a vapor.

Limpie la carcasa y el panel de control con un paño suave y agua con jabón únicamente.

Friegue el tambor, la junta de la puerta y el interior del mismo solamente con un paño húmedo.

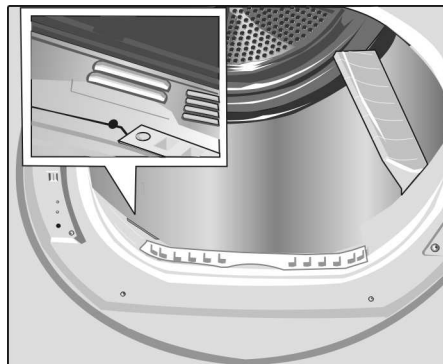
Limpiar el tubo de aire de salida

Inspeccione y limpie los conductos del escape, por lo menos, una vez al año para prevenir obstrucciones. Un conducto de escape parcialmente obstruido prolonga el tiempo de secado y tiene como consecuencia un bajo rendimiento del secador.

- Corte el conmutador de alimentación
- Desenchufe la secadora de la fuente de alimentación.
- Desconecte el tubo del secador.
- Pase una aspiradora en el interior del conducto para retirar cualquier acumulación de pelusa o desechos.
- Vacíe el tubo y vuélvalo a conectar.
- Limpiar profesional de conducto es recomendado. Vea página 53.

Limpiar el sensor de humedad

Ocasionalmente debe limpiarse el sensor de humedad, ya que se genera una capa fina de depósitos sobre la superficie del mismo.

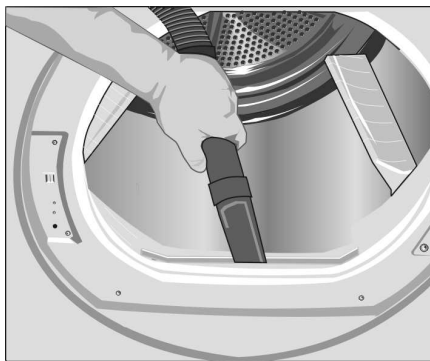


El depósito puede eliminarse fácilmente, fregando el sensor (las dos barras próximas al filtro para pelusas) mediante un paño y un poco de vinagre blanco.

¡Utilice solamente vinagre blanco! Limpie el sensor de humedad una vez al mes.

Cómo limpiar la carcasa del filtro atrapapelusa

A través del tiempo, se junta pelusa resultante de los sucesivos procesos de secado en la protección del rodamiento.



Esta pelusa puede eliminarse fácilmente utilizando la aspiradora, por lo menos una vez al mes.

Cómo limpiar la boquilla Steam

Una vez al año examine el enchufe del inyector. Si usted sospecha la obstrucción, limpie el exterior del inyector con un paño humedecido con vinagre. Si la boquilla está completamente obstruida, consulte la guía de localización de fallos (ver

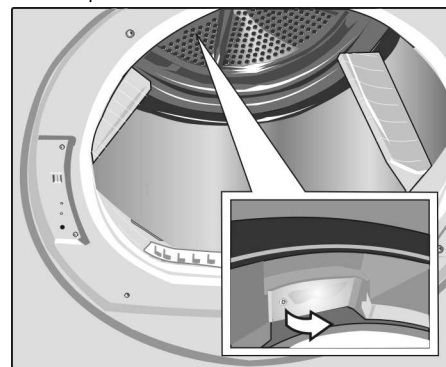
página 66) para conocer las instrucciones de remoción y limpieza. Si la boquilla permanece obstruida, llame a servicio al cliente (ver página 66).

Cambiar la lamparilla

La luz de la secadora se enciende dentro del tambor cuando se abre la puerta y permanece encendida durante, aproximadamente, 5 minutos o hasta que se cierra la puerta. La luz se apaga, aproximadamente, 4 segundos después de que se cierra la puerta.

Para cambiar la lamparilla:

- Fije el selector del programa a "Off."
- Corte el conmutador de alimentación.
- Desconecte el enchufe de alimentación.
- Abra la puerta y ubique la luz de la secadora en el lado superior izquierdo del sello.



- Afloje el tornillo y abra la cubierta de la luz de la secadora.
- Gire la lamparilla en el sentido opuesto a las agujas del reloj. Reemplace la lamparilla únicamente por una del tipo para electrodomésticos (se adquiere en el servicio a clientes).
- i** Piezas disponibles en www.boschappliances.com o llamando al 1-800-944-2904.
- Vuelva a colocar la cubierta y sujétela mediante el tornillo.
- Enchufe la parte trasera de la secadora en la fuente de alimentación.
- Encienda el disyuntor.

Localización de fallos



ADVERTENCIA

¡PARA EVITAR RIESGO DE DESCARGAS ELÉCTRICAS! Eventuales reparaciones o reemplazos de piezas deben efectuarse exclusivamente por técnicos calificados o electricistas con licencia.

Antes de llamar a Servicio a Clientes, verifique si puede rectificar la falla usted mismo siguiendo esta tabla.

Si es necesario efectuar reparaciones y usted no puede eliminar el fallo mediante la tabla siguiente:

1. Gire el selector de programas a «Off».
2. Quite el fusible.
3. Desconecte el enchufe del tomacorriente.
4. Llame al servicio para clientes (consulte la página 32).

¡Es posible que los puntos sobre resolución de problemas que se enumeran a continuación no estén cubiertos por el servicio técnico de la garantía!

Descarte uno por uno cualquiera de estos problemas antes de llamar al servicio técnico.

Problema	Causa posible	Remedio
El secador no arranca. «Start/Stop» la luz de indicador no ilumina.	El enchufe no está conectado o incorrectamente conectado.	Conecte el enchufe correctamente.
	Se ha desconectado un fusible o el disyuntor.	Reemplace el fusible o reinicie el disyuntor.
	No fue pulsado el botón «Start/Stop».	Presione el botón «Start/Stop».
	No fue seleccionado programa alguno.	Seleccione un programa.
	La puerta no está cerrada.	Cierre la puerta.
	La temperatura ambiente está debajo de los 41 °F/5 °C.	Aumente la temperatura del ambiente.
El ciclo se ha interrumpido. Se emite una señal de advertencia y la pantalla muestra «CLn».	El filtro para pelusas está sucio.	Limpie el filtro atrapelusa, como se describe en la página 62. Apague la secadora y vuelva a encenderla. Si esto no borra el código de error, llame a Servicio a Clientes (pág. 67).
El ciclo se ha interrumpido. Se emite una señal de advertencia y la pantalla muestra «E:12».	El tubo de aire de salida está obstruido o es demasiado largo.	Limpie el tubo de aire de salida. Reduzca la longitud del tubo de aire de salida a su longitud máxima según se describe en página 52. Apague y vuelva a encender equipo.
	Hay un fallo en el desarrollo del programa o fallo en la máquina.	Apague el secador, déjelo enfriar por 30 minutos y vuelva a encenderlo. Haga arrancar nuevamente el programa.
	El ambiente o gabinete no posee la ventilación suficiente.	Provea un acceso de aire fresco suficiente. Apague y vuelva a encender equipo.
No se ha logrado el grado de humedad deseado o el tiempo de secado es demasiado largo. El display indica «E:03».	Está sucio el sensor de humedad.	Limpie el sensor de humedad según se describe en la página 29. Apague y vuelva a encender el equipo.
	El tubo de aire de salida está obstruido o es demasiado largo.	Limpie el conducto del escape de aire. Reduzca el conducto del escape de aire hasta la longitud máxima como se describe en la página 52. Apague la secadora y vuelva a encenderla.
	El filtro para pelusas está sucio.	Limpie el filtro como se describe en la página 62. Apague la secadora y vuelva a encenderla.
	La ropa está demasiado mojada.	Centrifugue la ropa a mayor velocidad en la máquina de lavar. Apague y vuelva a encender el equipo.
	Se ha seleccionado un programa no admisible.	Seleccione el programa con ayuda de la tabla correspondiente (ver página 60). Apague y vuelva a encender el equipo.
	Se excede el tiempo de secado máximo.	Limpie el filtro atrapelusa (consulte la página 62). Verifique el conducto del escape de aire. Centrifugue la ropa a mayor velocidad en su lavadora.

Problema	Causa posible	Remedio
No se ha logrado el grado de humedad deseado o el tiempo de secado es demasiado largo. El display indica «E:03».	El motor ha excedido la temperatura máxima.	Apague el secador, déjelo enfriar por 30 minutos y vuelva a encenderlo. Haga arrancar el programa.
	El grado de humedad honesta correctamente ajustado	800 Serie, Cambia ajustes para el grado de la sequedad, véase en la página 60.
No funciona la luz en el tambor.	No fue seleccionado programa alguno.	Seleccione un programa.
	La lamparilla está defectuosa o quemada.	Reemplace el foco quemado y vuelva a instalar la cubierta como se indica en la página 76.
	No hay alimentación de energía.	Controle que la alimentación de energía funcione correctamente.
	La bombilla es floja.	Retire la cubierta del foco y, si el foco está flojo, ajústelo. Vuelva a instalar la cubierta como se indica en la página 76.
No se enciende la luz indicadora «Start/Stop». La luz indicadora “Wrinkle block®” (Protección contra arrugado). EL display indica «000».	Error en el desarrollo del programa o fallo en la máquina.	Apague el secador, déjelo enfriar por 30 minutos y vuelva a encenderlo. Haga arrancar nuevamente el programa.
La luz de LED del filtro atrapelusa se ilumina en forma intermitente después de la limpieza del filtro atrapelusa	La intermitencia del filtro de la pelusa LED no es indicación de que hay un problema. Solo es usado como un recordatorio para limpiar el filtro de la pelusa.	No requiere de ninguna acción. LED dejara de estar intermitente.
La pantalla muestra “----”.	Se detectó ropa en el tambor durante el programa para lana (la ropa no está en la canastilla)	Coloque la ropa en la canastilla del secador. Reinicie el programa.
Ruido inusual ruidos sordo	Los rodillos de suspensión del tambor necesitan tiempo para calentarse.	No se requiere hacer nada. Cuando los rodillos del sistema de suspensión se calienten, el ruido sordo disminuirá y deberá detenerse a los 2–3 minutos de empezar a usar el secador.
Ruido inusual: Vibración continua, balanceo de la secadora	El secador no está nivelado.	Nivele el secador (consulte la sección “Instrucciones de Instalación” del manual del usuario).
Ruido inusual Vibración rítmica	La carga rebota porque la ropa se agrupó formando una bola.	Detenga el secador, separe las prendas, vuelva a encender el secador.
No se pulveriza agua en la unidad durante los ciclos Steam	La(s) llave(s) de agua no está(n) abierta(s).	Abra la llave de agua.
	La boquilla no rocía agua correctamente.	Limpie el exterior de la boquilla con un paño humedecido con vinagre. Si esto no restaura el rociado de la boquilla, consulte la acción correctiva “Blocked nozzle” (Boquilla bloqueada) que aparece a continuación.
	Boquilla obstruida	Retire la boquilla con una llave de cubo de 7/16 pulgada. Coloque la boquilla en un recipiente lleno con vinagre blanco en cantidad suficiente para cubrir la boquilla. Deje la boquilla en remojo durante cinco minutos y luego friegue la punta de la boquilla suavemente con un cepillo dental para eliminar los residuos. Enjuague la boquilla y vuelva a insertarla en el secador. Apriétela a mano y luego apriete una vuelta más con la llave.
LED or button illuminated on control panel when Cycle Selector is turned to “Off” position	Condición de falla	pague el disyuntor y llame a Servicio a Clientes (pág. 32).

SERVICIO y REPARACIONES



ADVERTENCIA

Identifique todos los cables antes de desconectarlos al realizar el servicio técnico de los controles. Los errores de cableado pueden causar una operación incorrecta que podría provocar graves daños al electrodoméstico o lesiones personales. Verifique la correcta operación después de realizar el servicio técnico.

Las secadoras Bosch no requieren más cuidados especiales que la limpieza y los cuidados especificados en la sección Cuidado y limpieza.

i Si tiene un problema con su secador, antes de llamar el servicio a clientes, consulte la tabla en página 30.

Si se hace necesario un servicio, póngase en contacto con su vendedor, instalador u otro centro de servicios autorizado. No intente reparar el electrodoméstico usted mismo. Cualquier trabajo realizado por personal no autorizado, hará caducar la garantía.

Si tiene problemas y no está conforma con el servicio recibido:

- Primero rogamos ponerse en contacto con su instalador o bien el servicio autorizado y contratado Bosch de su zona, explicando porque no está conforme. explicando a que se debe su disconformidad.
- Si después del trabajo realizado por su instalador o técnico de servicio el problema no ha sido solucionado a su satisfacción, háganoslo saber, o bien escribiendo a:

BSH Home Appliances Corporation
5551 McFadden Ave.
Huntington Beach, CA 92649

O bien llámenos a

1-800-944-2904.

Tanto en caso de escribir o de llamar, asegúrese de incluir o tener a mano la siguiente información:

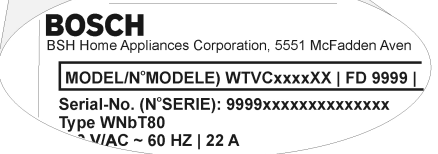
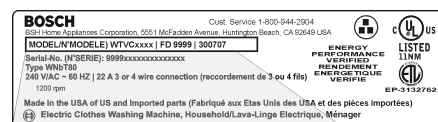
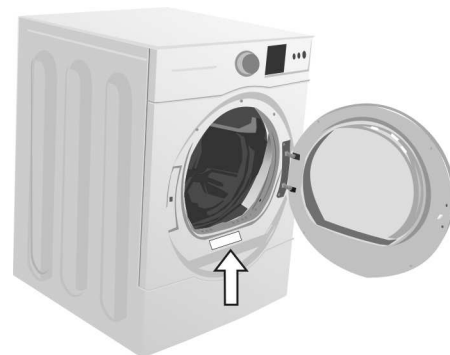
- Número de modelo
- Número de serie
- Fecha de compra original
- Fecha en la cual ha ocurrido el problema
- Explicación del problema

En caso que nos escriba, rogamos incluir también un número telefónico diurno y una copia de la factura de compra.

Encontrará la información respecto del número de modelo y de serie sobre la chapa de características ubicada en el interior del panel frontal.

La imagen a continuación muestra la ubicación aproximada de la placa de valores nominales. El número de modelo tiene un rectángulo alrededor. El número de serie está ubicado debajo del número de modelo.

Un ejemplo se demuestra abajo.



El fabricante se reserva el derecho de realizar modificaciones al producto o al manual sin notificación.

DECLARACIÓN DE GARANTÍA LIMITADA DEL PRODUCTO

Secador de ropa Bosch Vision™

Cobertura de esta garantía y a quiénes se aplica: La garantía limitada otorgada por BSH Home Appliances Corporation (Bosch) en esta Declaración de Garantía Limitada del Producto se aplica únicamente al secador de ropa (“Producto”) Bosch Vision™ vendido a usted, el primer comprador usuario, pero estrictamente condicionada a que el producto haya sido comprado: (1) para uso doméstico (no comercial) normal y haya sido utilizado en todo momento únicamente para fines domésticos normales (cualquier uso o programación comercial del producto anula automáticamente la garantía); (2) nuevo en una tienda minorista (que no sea un producto de exhibición, ni un producto vendido “en las condiciones en que se encuentra”, ni un modelo devuelto anteriormente) comprado directamente por el consumidor final, y no esté destinado para reventa ni uso comercial; y (3) dentro de los Estados Unidos o Canadá, y permanezca en todo momento dentro del país de compra original. Las garantías incluidas en el presente se aplican únicamente al primer comprador del Producto y no son transferibles. Bosch se reserva el derecho de solicitar un comprobante de compra en el momento en que se presente cualquier reclamación de la garantía a fin de confirmar que el producto esté dentro del alcance de la presente garantía limitada del producto. La garantía se anula automáticamente si el Producto fue un modelo de exhibición, un producto vendido “en las condiciones en las que se encuentra”, forzado, un modelo dañado o “con ralladuras y abolladuras”, o un modelo devuelto anteriormente, un obsequio, donación caritativa o premio de un concurso.

- Asegúrese de devolver su tarjeta de registro; si bien no es necesario para hacer efectiva la cobertura de la garantía, es la mejor manera para que Bosch le notifique en el caso poco probable de que se emita un aviso de seguridad o se retire del mercado un producto.

Duración de la garantía: Bosch garantiza que el Producto no tiene defectos en los materiales ni en la mano de obra durante un período de trescientos sesenta y cinco (365) días a partir de la fecha de compra. El período precedente comienza a regir a partir de la fecha de compra y no se interrumpirá, dejará sin efecto, extenderá ni suspenderá por ningún motivo.

Reparación/reemplazo como único recurso: Durante el período de esta garantía, Bosch o uno de sus proveedores de servicio técnico autorizados reparará su Producto sin cargo para usted (con sujeción a determinadas limitaciones especificadas en el presente) si se prueba que su Producto ha sido fabricado con un defecto en los materiales o en la mano de obra. Si se ha intentado de manera razonable reparar el Producto sin éxito, Bosch reemplazará su Producto (es posible que usted tenga disponibles modelos mejorados, a entera discreción de Bosch, por un cargo adicional). Todas las piezas y los componentes extraídos serán propiedad de Bosch, a su entera discreción. Todas las piezas reemplazadas y/o reparadas se considerarán como la pieza original a los fines de esta garantía, y esta garantía no se extenderá con respecto a dichas piezas. En virtud del presente, la única y exclusiva responsabilidad y obligación de Bosch es únicamente reparar el Producto defectuoso de fábrica, a través de un proveedor de servicio técnico autorizado por Bosch durante el horario normal de oficina. Por cuestiones de seguridad y daños materiales, Bosch recomienda categóricamente que no intente reparar el Producto usted mismo ni use un centro de servicio técnico no autorizado; Bosch no tendrá responsabilidad ni obligación alguna por las reparaciones o trabajos realizados por un centro de servicio técnico no autorizado. Si usted prefiere que una persona que no es un proveedor de este servicio técnico autorizado trabaje en su Producto, ESTA GARANTÍA SE ANULARÁ AUTOMÁTICAMENTE. Los proveedores de servicio técnico autorizados son aquellas personas o compañías que han sido especialmente capacitadas para manejar los productos Bosch y que tienen, según el criterio de Bosch, una reputación superior de servicio al cliente y capacidad técnica (debe tener en cuenta que son entidades independientes y *no* son agentes, socios, afiliados ni representantes de Bosch). Sin perjuicio de lo que antecede, Bosch no tendrá responsabilidad ni obligación alguna por el Producto que se encuentre en un área remota (a más de 100 millas de un proveedor de servicio técnico autorizado) o en un lugar, área circundante o entorno que no sea accesible por medios razonables o que sea peligroso, hostil o arriesgado; en cualquier caso, a su solicitud, Bosch de todas maneras pagará por la mano de obra y las piezas, y enviará las piezas al proveedor de servicio técnico autorizado más cercano, pero usted seguirá siendo totalmente responsable por el tiempo de viaje y demás cargos especiales de la compañía de servicio técnico, suponiendo que acepte hacer la visita de servicio técnico.

Garantía limitada extendida:

DURACIÓN DE LA GARANTÍA	ALCANCE DE LA GARANTÍA
2 años de garantía limitada a partir de la fecha de compra	Bosch proveerá repuestos, sin cargo, de los componentes que se encuentren defectuosos en condiciones de uso doméstico normal durante los dos primeros años a partir de la fecha de compra, incluidos los costos normales (no acelerados) de envío y sin incluir los gastos por mano de obra.

2 años de garantía limitada para sistemas electrónicos a partir de la fecha de compra	Bosch reparará o reemplazará, sin cargo, cualquier microprocesador o tablero de circuitos impreso que se encuentre defectuoso en condiciones de uso doméstico normal durante los dos primeros años a partir de la fecha de compra, sin incluir los cargos por mano de obra.
2 años de garantía limitada para el motor a partir de la fecha de compra	Bosch reparará o reemplazará, sin cargo, cualquier motor o componente de un motor que se encuentre defectuoso en condiciones de uso doméstico normal durante los dos primeros años a partir de la fecha de compra, sin incluir los cargos por mano de obra.

Producto fuera de garantía: Bosch no tiene obligación alguna, en virtud de la ley o por otro motivo, de otorgarle ninguna concesión, incluidos reparaciones, prorratesos o reemplazo del Producto, con posterioridad al vencimiento de la garantía.

Exclusiones de la garantía: La cobertura de garantía descrita en el presente excluye todos los defectos o daños que no fueron provocados directamente por Bosch, incluidos, entre otros, alguno de los siguientes: (1) uso del Producto de maneras distintas del uso normal, habitual y previsto (incluidos, entre otros, cualquier forma de uso comercial, uso o almacenamiento en exteriores de un producto diseñado para interiores, uso del Producto en aeronaves o embarcaciones); (2) conducta indebida, negligencia, uso indebido, abuso, accidentes, descuido, operación inadecuada, omisión de mantener, instalación inadecuada o negligente, adulteración, omisión de seguir las instrucciones de operación, manipulación inadecuada, servicio técnico no autorizado (incluidos “arreglos” o exploración de los mecanismos internos del electrodoméstico realizados por uno mismo) por parte de cualquier persona; (3) ajuste, alteración o modificación de cualquier tipo; (4) incumplimiento de los códigos, reglamentaciones o leyes de electricidad, plomería y/o construcción locales, municipales o de condado, incluida la omisión de instalar el producto cumpliendo estrictamente con los códigos y reglamentaciones locales de construcción y protección contra incendios; (5) desgaste habitual, derrames de alimentos, líquidos, acumulaciones de grasa u otras sustancias que se acumulen sobre, dentro o alrededor del Producto; y (6) cualquier fuerza y factor externo, elemental y/o ambiental, incluidos, entre otros, lluvia, viento, arena, inundaciones, incendios, aludes de lodo, temperaturas bajas extremas, humedad excesiva o exposición prolongada a la humedad, rayos, sobrecargas eléctricas, fallas estructurales alrededor del electrodoméstico y caso fortuito. En ningún caso, Bosch tendrá responsabilidad ni obligación alguna por los daños ocasionados a los bienes circundantes, incluidos los gabinetes, pisos, techos y demás estructuras u objetos que se encuentren alrededor del producto. También se excluyen de esta garantía las rayas, hendiduras, abolladuras menores y daños estéticos en superficies externas y piezas expuestas; productos en los cuales los números de serie hayan sido alterados, modificados o eliminados; visitas del servicio técnico para enseñarle a usar el Producto o visitas en las que se determine que no hay ningún problema con el Producto; corrección de los problemas de instalación (usted es el único responsable de cualquier estructura y soporte del Producto, incluidas las instalaciones de electricidad y plomería o demás instalaciones de conexión, de la correcta instalación en bases/pisos y de cualquier alteración, incluidos, entre otros, gabinetes, paredes, pisos, repisas, etc.); y el restablecimiento de disyuntores o fusibles. EN LA MEDIDA PERMITIDA POR LA LEY, ESTA GARANTÍA ESTABLECE SUS RECURSOS EXCLUSIVOS CON RESPECTO AL PRODUCTO, INDEPENDIENTEMENTE DE QUE LA RECLAMACIÓN SEA CONTRACTUAL O EXTRA CONTRACTUAL (INCLUIDA LA RESPONSABILIDAD OBJETIVA O LA NEGLIGENCIA), O DE CUALQUIER OTRO MODO. ESTA GARANTÍA REEMPLAZA TODAS LAS DEMÁS GARANTÍAS EXPRESAS O IMPLÍCITAS. LAS GARANTÍAS IMPLÍCITAS POR LEY, YA SEA DE COMERCIABILIDAD O APTITUD PARA UN FIN ESPECÍFICO, O DE CUALQUIER OTRO TIPO, TENDRÁN VIGENCIA ÚNICAMENTE POR EL PERÍODO DE VIGENCIA DE LA PRESENTE GARANTÍA LIMITADA EXPRESA. EN NINGÚN CASO, EL FABRICANTE SERÁ RESPONSABLE POR LOS DAÑOS CONSECUENTES, ESPECIALES, INCIDENTALES, INDIRECTOS, POR “PÉRDIDAS COMERCIALES” Y/O DAÑOS PUNITIVOS, PÉRDIDAS O GASTOS, INCLUIDOS, ENTRE OTROS, TIEMPO FUERA DEL TRABAJO, HOTELES Y/O COMIDAS EN RESTAURANTES, GASTOS DE REMODELACIÓN QUE SUPEREN LOS DAÑOS DIRECTOS, QUE DEFINITIVAMENTE HAYAN SIDO CAUSADOS DE MANERA EXCLUSIVA POR BOSCH O DE OTRO MODO. ALGUNOS ESTADOS NO PERMITEN LA EXCLUSIÓN O LIMITACIÓN DE DAÑOS INCIDENTALES O CONSECUENTES, Y ALGUNOS ESTADOS NO PERMITEN LIMITACIONES CON RESPECTO AL PLAZO DE VIGENCIA DE UNA GARANTÍA IMPLÍCITA; POR LO TANTO, ES POSIBLE QUE LAS LIMITACIONES PRECEDENTES NO SE APLIQUEN. ESTA GARANTÍA LE OTORGA DERECHOS LEGALES ESPECÍFICOS, Y TAMBIÉN PUEDEN CORRESPONDERLE OTROS DERECHOS QUE PUEDEN VARIAR SEGÚN EL ESTADO. Ningún intento de alterar, modificar o enmendar la presente garantía entrará en vigencia, a menos que fuera autorizado por escrito por un ejecutivo de BSH.

Cómo obtener el servicio técnico de la garantía: Para obtener el servicio técnico de la garantía de su Producto, debe comunicarse con el centro de servicio autorizado de Bosch más cercano.

BSH Home Appliances Corporation – 5551 McFadden Avenue, Huntington Beach, CA 92649 / 800-944-2904

