

# Axxis Washing Machine

WFL 2090

Operating, Care and Installation Instructions



**BOSCH**

Invented for life





---

# Table of Contents

DEFINITIONS .....	4
IMPORTANT SAFETY INSTRUCTIONS .....	4

## Operating Instructions

Disposal Information .....	6
Disposing of the packaging .....	6
Disposing of your old appliance .....	6
Environmental Protection/Conservation Issues ..	6
Intended Use .....	6
Your New Washing Machine .....	7
Control panel .....	8
About Your Washing Machine .....	9
Before Using For the First Time .....	9
Using For the First Time .....	9
Preparing, Sorting and Loading the Laundry .....	10
Preparing the laundry .....	10
Sorting the laundry .....	10
Degrees of soiling .....	10
Loading the laundry .....	12
Laundry Detergents and Additives .....	13
Dispensing the correct amount of detergent ..	13
Filling laundry detergent and/ or additives .....	13
Selecting Programs .....	14
Basic programs .....	14
Extra cycle program selector .....	14
Spin speed selector .....	15
Additional function on spin speed selector .....	15
Additional options buttons .....	15
Washing .....	16
Soaking .....	17
Bleaching .....	17
Decolorizing .....	17
Changing a program .....	17
Canceling an active program .....	17
When the Program has Ended .....	18
Unloading the laundry .....	18

## User Maintenance Instructions

User Maintenance Instructions .....	19
Cleaning and Care .....	19
Cleaning the appliance housing and control panel .....	19
Cleaning the drum .....	19
Cleaning the detergent dispenser .....	19
Cleaning the drain pump .....	20
Cleaning water inlet strainers .....	22
Descaling the washing machine .....	23
Customer Service .....	23
Troubleshooting of Minor Faults .....	24

## Installation Instructions

Installation, Connection and Transportation .....	26
Safety information .....	26
Factory-supplied equipment .....	26
Dimensions .....	28
Installation area .....	28
Built-in Installation .....	29
Leveling procedure .....	29
Removing the transport bolts .....	30
Hose and cable lengths .....	31
Water connection .....	31
Electrical connection .....	33
GROUNDING INSTRUCTIONS .....	33
Transport, e.g. when moving .....	34
Overview of programs .....	35

## KEEP THESE INSTRUCTIONS FOR FUTURE REFERENCE.

(In case of change of ownership, manual should be conveyed with the washing machine.)

Please read and observe these operating and installation instructions and all other information enclosed with the washing machine.

Keep all documentation in a safe place for subsequent use or for the next owner of the appliance.

---

## DEFINITIONS



### WARNING



**WARNING** – This indicates that injuries or significant damage may occur as a result of non-observance this warning.

### CAUTION

**CAUTION** – This indicates that minor injuries or damage may occur as a result of non-observance this warning.

---

## IMPORTANT SAFETY INSTRUCTIONS



### WARNING



To reduce the risk of fire, electric shock, serious injury or death to persons when using your washing machine, follow basic precautions, including the following.

1. BOSCH washers are provided with a manual, including Operating Instructions, User Maintenance Instructions and Installation Instructions. Read all instructions before using the washing machine.
2. Do not wash articles that have been previously cleaned in, washed in, soaked in, or spotted with gasoline, dry cleaning solvents, other flammable, or explosive substances as they give off vapors that could ignite or explode.
3. Do not add gasoline, dry cleaning solvents, or other flammable or explosive substances to the wash water. These substances give off vapors that could ignite or explode.
4. Under certain conditions hydrogen gas may be produced in a hot water system that has not been used for 2 weeks or more. **HYDROGEN GAS IS EXPLOSIVE.** If the hot water system has not been used for such a period, before using a washing machine, turn on all hot water faucets and let the water flow from each for several minutes. This will release any accumulated hydrogen gas. As the gas is flammable do not smoke or use an open flame during this time.
5. Do not allow children to play on or in the appliance. Close supervision of children is necessary when the appliance is used near children.
6. When children become old enough to operate the appliance, it is the legal responsibility of the parents or guardians to ensure that they are instructed in safe practices by qualified persons.
7. Before the appliance is removed from service or discarded, remove the door and the power cord/plug.
8. Do not reach into the appliance if the wash drum is still turning.
9. Do not install or store this appliance where it will be exposed to the weather.
10. Do not tamper with the controls.
11. Do not repair or replace any part of the appliance or attempt any service unless specifically recommended in the user maintenance instructions or in published user repair instructions that you understand and have the skills to carry out.
12. Always be sure to unplug the washing machine from the electrical supply before attempting any service. Disconnect the power cord by grasping the plug, not the cord.
13. To reduce the risk of fire, clothes, cleaning rags, mop heads and the like which have traces of any flammable substance, such as vegetable oil, cooking oil, petroleum based oils or distillates, waxes, fats, etc., must not be placed in the washing machine. These items may contain some flammable substance(s) after laundering, which may smoke or catch fire by itself.

14. Do not use bleach. Hazardous fumes can form.
15. Do not machine wash fiberglass materials (many curtains and window coverings use fiberglass materials). Small particles can remain in the washing machine and stick to fabrics in subsequent wash loads causing skin irritation.
16. Do not leave children unsupervised near the washing machine.
17. Keep pets away from the washing machine.
18. Do not insert/pull out the power plug with wet hands.
19. Do not pull out the power plug by tugging the cable.
20. Do not touch the loading door if washing at high temperatures.
21. Use caution when draining hot water.
22. Do not climb onto the washing machine and do not lean on the open loading door.
23. Do not sit on the top of the washing machine.
24. To reduce the risk of fire or electrical shock, DO NOT use an extension cord or an adapter to connect the washing machine to the electrical power supply.
25. The washing machine must only be used for its intended purpose.
26. Always follow the fabric care instructions recommended by the clothing manufacturer.
27. Replace worn power cords and/or loose plugs.
28. Make sure that all water connections to the washing machine have shut-off valve(s) and that they are readily accessible. Close the washing machine water shut-off valve(s) at the end of each wash day.
29. Check the fill hose connections on a regular basis to assure that they are tight and not leaking.
30. Always read and follow the instructions of the manufacturer of the detergent(s), cleaning aid(s), fabric softener(s) and static eliminator(s), you are using. Heed all warnings and precautions.
31. Store all laundry chemicals and aids in a cool dry place according to the manufacturers instructions.
32. To reduce the risk of poisoning or chemical burns, keep all cleaning products out of the reach of children.
33. Do not operate the washing machine with any guards and/or panels removed.
34. Do not operate the washing machine if there are any missing or broken parts.
35. Do not bypass any safety devices.
36. Do not operate this washing machine until you are sure:
  - a. the washing machine has been installed according to the INSTALLATION INSTRUCTIONS.
  - b. all connections for water, drain, electrical power and grounding are in compliance with all local codes and/or other applicable codes and requirements.
37. Failure to install, maintain and/or operate the washing machine according to the manufacturer's instructions may result in conditions which can lead to physical injury and/or property damage.

**Notes:**

- A. The IMPORTANT SAFEGUARDS and WARNINGS presented in this manual do not cover all possible conditions that may occur. Common sense, caution and care must be exercised when installing, maintaining or operating the washing machine.
- B. Always contact your dealer, distributor, service agent or the manufacturer about any problems or conditions that you do not understand.

## SAVE THESE INSTRUCTIONS

---

# Disposal Information

## Disposing of the packaging

The shipping package has protected your new appliance on its way to your home. All packaging materials are non-polluting and recyclable. Please contribute to a better environment by disposing of packaging materials in an environmentally conscious manner.

Please ask your dealer or local authority about the best means of disposal.

 <b>WARNING</b> 
Keep children away from shipping carton and packaging components. Avoid danger of suffocation from plastic film and folding cartons.

## Disposing of your old appliance

Old appliances are not worthless rubbish! Environment-conscious recycling can reclaim valuable raw materials.

 <b>WARNING</b> 
On out-of service appliances, unplug main plug. Cut off power cord and discard with main plug.
To prevent playing children from becoming trapped or endangered, remove the door.

---

# Environmental Protection / Conservation Issues

Your washing machine uses water, energy and detergent efficiently, thereby protecting the environment and reducing your household costs.

You can help by using your washing machine in an efficient and non-polluting manner:

- Avoid using too much detergent. Use detergent recommended for high efficiency and front-loading washers.
- Add detergent according to the degree of soiling, amount of laundry and water hardness, and observe the detergent manufacturers instructions.

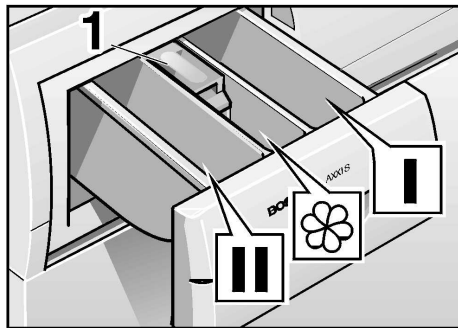
---

# Intended Use

Your washing machine is intended:

- For domestic use only.
- For washing machine-washable fabrics in washing water.
- For operation using cold and hot 140 °F (60 °C) tap water and conventional laundry detergents and additives that are suitable for use in washing machines.

# Your New Washing Machine



## Filling with laundry detergent and/or additives

Dispenser I:

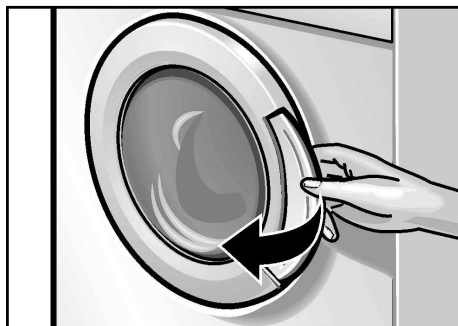
Detergent for soaking.

Dispenser II:

Detergent for wash, stain remover.

Dispenser ☘:

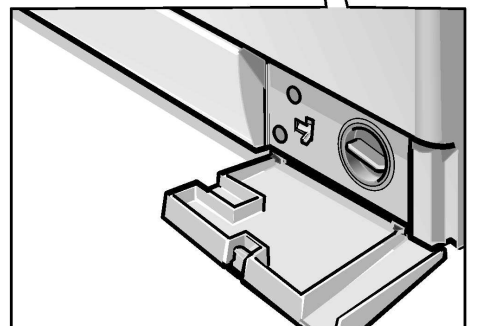
Cleaning product, e.g. fabric softener, fabric conditioner (do not fill above the lower edge of insert 1).



Opening ...



and closing the door



Service cover

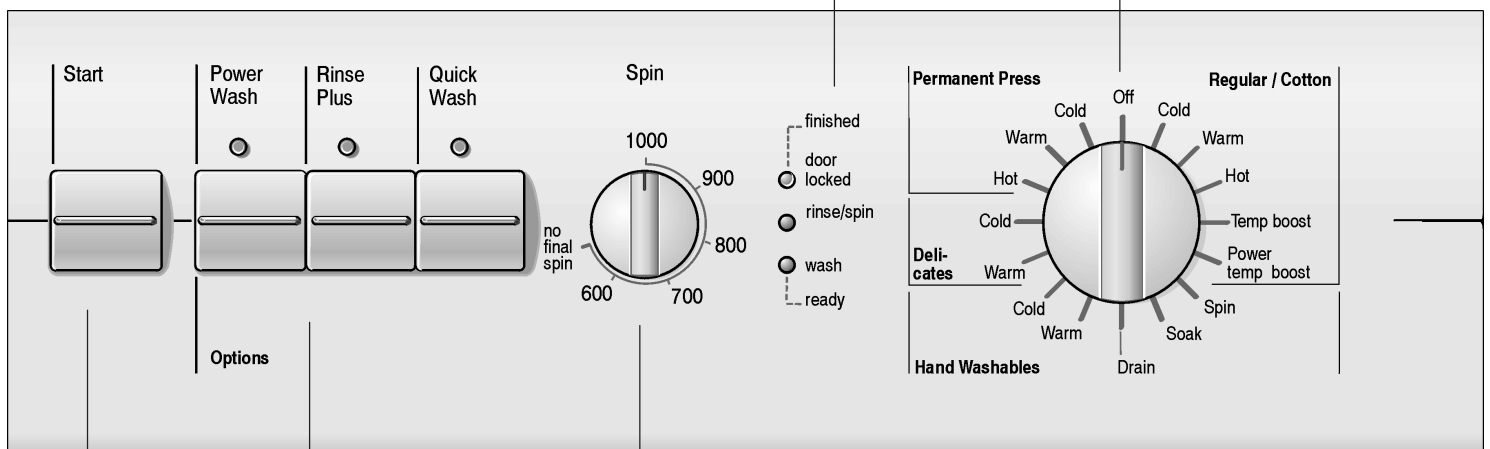
# Control panel

## 2. Control lights

**finished** flashes when the door can be opened.  
**door locked** illuminates while the program is running.  
**rinse/spin** illuminates while the rinsing or spinning.  
**wash** illuminates when **Start** is pressed.  
**ready** flashes when program is selected.

## 1. Program selector

Used to switch the machine on and off and to select the program.  
Can be rotated in either direction.  
The program selector does not rotate while the program is running – the program sequence is electronically controlled.



## 3. Set the spin speed (if desired)

Variable; must click into place at **no final spin**.

## 4. Press buttons for additional functions

(where required to supplement the program)

**Power Wash:** Extended washing time for best stain removal and cleaning.

**Rinse Plus:** Additional rinsing cycle.

**Quick Wash:** Faster washing time for expedited cleaning.

The control light above the option button lights up when the respective additional function is active.

To cancel the additional function: Press the button again.

## 5. Press the Start button

The washing process begins (program must have been selected)



---

# About Your Washing Machine

The washing machine offers the following standard features:

- Horizontal-Axis, Tumble Action Wash System, without agitator
- Stainless Steel Inner Wash Drum
- Exceptionally Low Energy and Water Consumption
- Internal Heating Element for Power temp. boost, up to 160 °F (71 °C)
- High Spin Speeds, up to 1000 rpm, remove more water from fabrics to reduce drying time and energy
- 4 Fabrics and 5 Temperature Settings
- 3 special cycles
- 3 additional functions

---

# Before Using For the First Time

The washing machine must have been installed and connected properly (refer to page 26).

Before beginning to use your washing machine for the first time:

- Make sure the voltage the washing machine is to operate on is the same as shown on the rating plate.
- Check to make sure that the water valves to the washing machine are open.

---

# Using For the First Time

Your appliance was tested before leaving the factory. To remove any water left over from testing procedures, the first washing cycle should be carried out without laundry in the machine.

- Do not load any laundry.
- Turn on the water tap.
- Open the detergent dispenser to the final stop.
- Pour approx. 1 liter/1 quart of water into chamber **II** of the detergent dispenser.
- Fill the measuring cup half full with detergent and pour into chamber **II**. Do not use any special detergents for delicates or wool (to avoid excessive foaming in the absence of clothing in the wash).
- Close the detergent dispenser.
- Close the loading door.
- Set the program selector to **Power temp. boost**.  
The **ready** control light is flashing.
- Press the **Start** button.  
The **wash** control light comes on and the program starts.

- i** **door locked** illuminates while the program is running.  
The **wash** control light changes during the program to **rinse/spin**.

When the **finished** flashes:

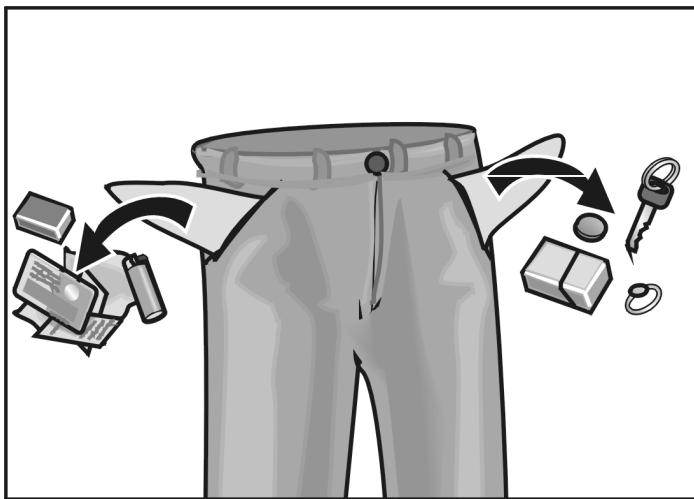
- Set the program selector to **Off**.

# Preparing, Sorting and Loading the Laundry

## Preparing the laundry

### CAUTION

Loose debris (e.g. coins, paper clips, needles, nails) can damage items of clothing as well as parts of the washing machine (e.g. drum).



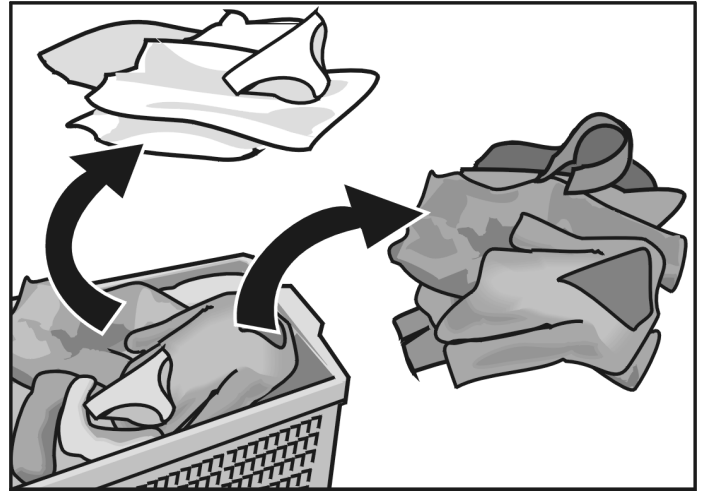
- Empty all pockets of the clothing.
- Brush out any sand from pockets and cuffs.
- Close zippers and button up bed covers.
- Remove curtain runners or place them up in a mesh bag.
- The following items should be washed inside a mesh bag:
  - Extremely delicate items, e.g. fine tights, net curtains.
  - Small items, e.g. small socks or handkerchiefs.
  - Underwired bras (the wire may come loose during washing and cause damage).
- When washing trousers, knitwear and woven fabrics, e.g. shirts, T-shirts or sweatshirts, always turn these items inside out.

## Sorting the laundry

According to color and degree of dirt

### CAUTION

Items of clothing can be discolored. Never wash new multi-colored items together with other items.



White items may become grey. Always wash white and colored items separately.

## Degrees of Soiling

### Slight dirt

No recognizable soiling or staining. Laundry may have some body odor.

- Light summer clothing and sportswear that has only been worn for a few hours.
- T-shirts, shirts and blouses that have been worn for up to one day.
- Bed linen and guest towels that have been used for one day.

### Normal dirt

Visible dirt and/or some light staining recognizable.

- T-shirts, shirts and blouses that are very sweaty or have been worn several times.
- Underwear that has been worn for one day.
- Tea towels, hand towels and bed linens that have been used for up to one week.
- Net curtains (without nicotine staining) that have not been washed for up to ½ year.

## Intensive dirt

Dirt and/or staining recognizable.

- Kitchen hand towels that have been used for up to one week.
- Fabric napkins.
- Bibs.
- Children's outer clothing or sports shirts and shorts with grass and soil stains.
- Working clothes such as overalls or baker's and butcher's aprons.

## Typical stains

- Skin fat, cooking oils/fat, sauces, mineral oil, wax (containing fat/oil).
- Tea, coffee, red wine, fruit, vegetables (bleachable).
- Blood, egg, milk, starch (containing protein/carbohydrate).
- Soot, soil, sand (pigments), red sand on tennis clothes.

## Removing stains

If possible, remove/pretreat stains while they are still fresh.





First, dab soapy water onto the stain. Do not rub.

Subsequently wash the items of clothing using the appropriate program.

Sometimes several washing cycles may be required in order to remove persistent/dried in stains.


## Sorting laundry according to care label specifications

### Fabric Types

-  Machine Wash, Cottons
-  Machine Wash, Permanent Press
-  Machine Wash, Delicates
-  Hand Wash

### Temperatures

-  Cold
-  Warm
-  Hot

Do not wash clothes in washing machine if the care label says "Do Not Wash" or the DO NOT WASH symbol –  – is on the care label.

## Loading the laundry



### WARNING

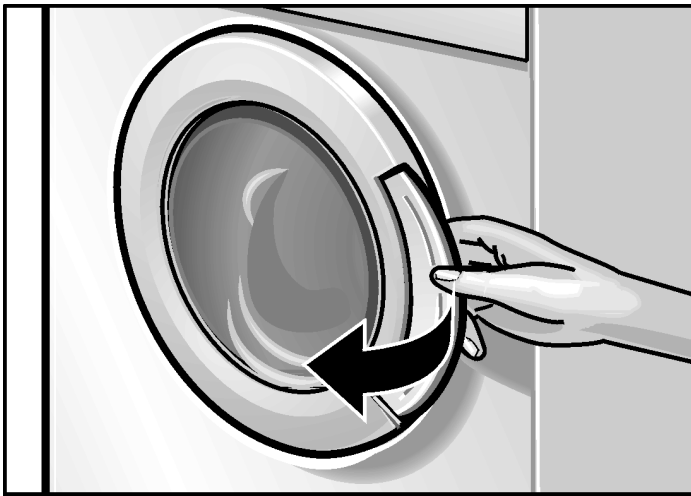


Avoid risk of explosion!

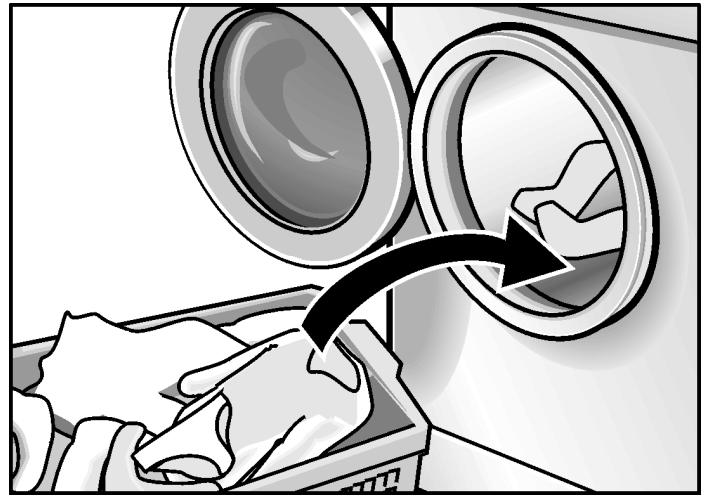
Items of clothing that have been pretreated with solvent-based cleaning agents, e.g. stain remover or dry cleaning chemical, could represent a potential explosion hazard in the contained area of the washing machine. Rinse these items thoroughly by hand before placing them into the machine.

### CAUTION

Loose debris in the washing machine drum can damage the laundry. Before loading the laundry, check that there is no debris in the drum.



- ❑ Open the loading door.



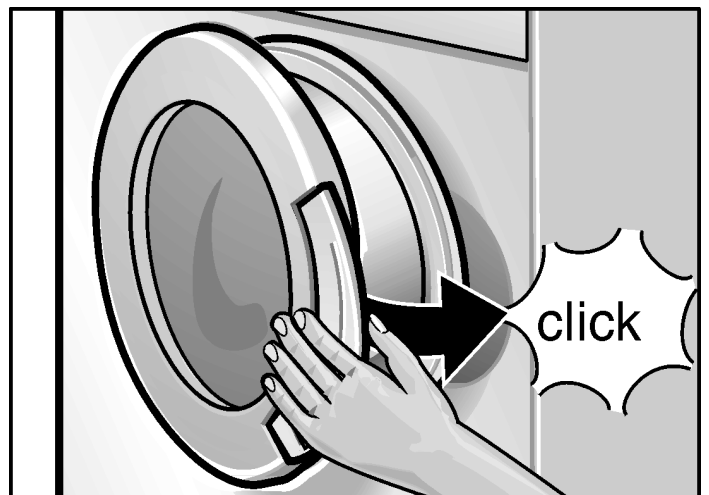
- ❑ Unfold the sorted items of clothing and place them loosely into the drum. Mix up large and small items. Items of varying size will distribute better during the spin cycle.
- ❑ Do not exceed the maximum load: Overloading will cause poor wash results and increase wrinkling.

For best results it is recommended to load the drum depending on the fabric type:

**Full Load** Cotton and Linens

**1/2 Load** Permanent Press, Synthetic Blends and Poly Knits

**1/3 Load** Wool, Delicates, Silk



- ❑ Close the loading door. Make sure not to trap any items of clothing between the loading door and rubber seal.

# Laundry Detergents and Additives

## Dispensing the correct amount of detergent



### WARNING



Avoid risk of poisoning!  
Keep detergents and additives out of the reach of children.

Measure out the detergent according to:

- the water hardness. This information can be obtained from your local water authority.
- the amount of laundry.
- the degree of soiling. Information on soiling can be found on page 10.
- the specifications of the detergent manufacturer. Measure out the correct amount of detergent to be kind to the environment and to help ensure optimum washing results.

- i** DO NOT use chlorine bleach in this washing machine.
- If it is necessary to use a detergent intended for less efficient top loading washing machines, you may need to reduce the amount of detergent used to avoid excessive sudsing. It is recommended that only  $\frac{1}{4}$  to  $\frac{1}{2}$  (approx. 2–3 Tbl.) of the amount recommended by the detergent manufacturer for top loading machines be used. Using this smaller amount may affect the cleaning performance. The first time, start with  $\frac{1}{4}$  of the recommended amount. Then, only if there is a low level of sudsing and your clothes are not getting clean, try a little more.
- Pour liquid detergent into the appropriate dispensing chamber.

How do you know if you are using the correct amount of detergent?

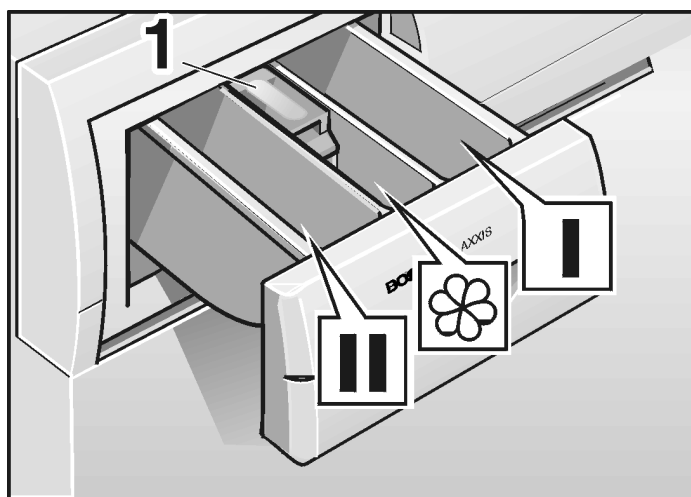
### If you are using too little detergent:

- laundry is not cleaned properly
- laundry is grey or stiff
- brown spotting on laundry
- calcification of heater may occur

### If you are using too much detergent:

Environmentally incompatible, excessive foam reduces wash agitation which causes poor washing and rinsing results.

## Filling laundry detergent and/or additives



Dispenser I:  
Detergent for soaking.

Dispenser II:  
Detergent for wash, stain remover.

Dispenser ☼:  
Cleaning product, e.g. fabric softener, fabric conditioner (do not fill above the lower edge of insert **1**).

- i** Concentrated or thick fabric softener and conditioner must be diluted with a little water before being poured into the dispenser (prevents overflow as a result of obstruction).
- Pull out the detergent dispenser.
- Add the detergent and/or additive.
- Close the detergent dispenser.

---

# Selecting Programs

Select the desired program – see also the separate program overview on page 35.

## Basic programs

### Regular/Cotton

**Regular/Cotton** settings are intended to be used for colorfast sturdy, hard wearing items made from cotton or linen, such as:

- Play clothes
- Work clothes
- Sheets
- Towels
- Jeans
- T-shirt, etc.

Refer to the care label of the clothing for settings to use.

### Permanent Press

**Permanent Press** settings are intended to be used with permanent press items and items made from cotton, linen, synthetic or blended fabrics and outer garments, such as:

- Dress shirts
- Dress pants
- Poly/cotton blend clothing
- Clothes requiring a special tumble sequence and spin speed to minimize wrinkling.

### Delicates

**Delicates** setting is used for delicate easy care items made from cotton, satin, synthetic or blended fabrics and curtains.

No spinning between rinse cycles.

We do not recommend washing these fabrics with other rougher fabrics.

## Hand Washables

**Hand Washables** settings are intended for very delicate easy care items that usually require hand washing.

These cycles have been specifically designed to provide extremely gentle treatment of fabrics. Most wool, silk or other items marked with the "Hand Wash" symbol, (👉), on the care label can be safely washed with this cycle.

## Temperature Settings

The following wash temperatures are available:

**Power temp. boost** – 160 °F (71 °C)

**Temp. boost** – recommended for 145 °F (63 °C)

**hot** – 125 °F (52 °C)

**warm** – 95 °F (32 °C)

**cold** – 60 °F (15 °C)

## Extra cycle program selector

### Spin

Spin cycle for spinning hand-washed laundry. Water is drained before the spin cycle. Maximum spin speed: 800 r.p.m.

### Soak

An integrated soak cycle for pre-treating of heavily stained items. The soak cycle lasts 2 hours.

### Drain

Water can be drained after a program with the **no final spin** setting for gentle treatment of delicate laundry.

## Spin speed selector

### Basic setting

Spin speed selector pointing upward at 1000 rpm. In the **Regular/Cotton** program the fabrics will be spun at the maximum available spin speed.

In the **Permanent Press, Delicates** and **Hand Washables** programs, a lower spin speed will automatically be used, regardless of the position of the spin speed selector – for more gentle washing of the laundry.

### Maximum spin speeds

Revolutions per minute	Type of laundry/Extra cycle
1000	Regular/Cotton
800	Permanent Press
600	Delicates
800	Hand Washables
800	Spin

## Additional function on spin speed selector

### no final spin

For delicate laundry and net curtains. The laundry remains lying in the water after the final rinse.

Use this setting to avoid creasing, when the clothing cannot be taken out of the washing machine immediately upon completion of the cycle.

Before the washing machine can be unloaded, the **Drain** or **Spin** program must be performed.

## Additional option buttons

### Power Wash

Recommended for heavily soiled garments. Particularly recommended when trying to remove protein stains.

Washing time is extended.

Only cold water is introduced into the drum. The washing machine then heats the water to the selected wash temperature. By raising the temperature from cold up to the set temperature all components of the detergent are activated in stages for best stain removal and cleaning results.

### Rinse Plus

When this button is pressed, an additional rinsing cycle will be added to the selected cycle.

Washing cycle time is extended accordingly.

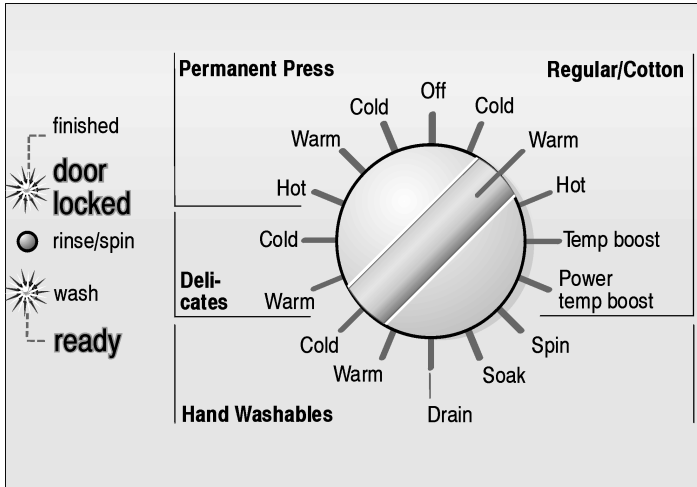
### Quick Wash

Faster wash for expedited cleaning results. Recommended for ½ load only. If both buttons for **Power Wash** and **Quick Wash** are pressed, only **Quick Wash** is used.

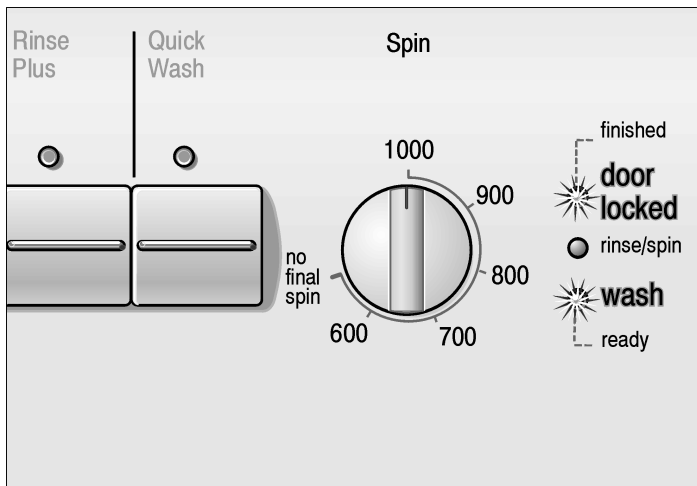
# Washing



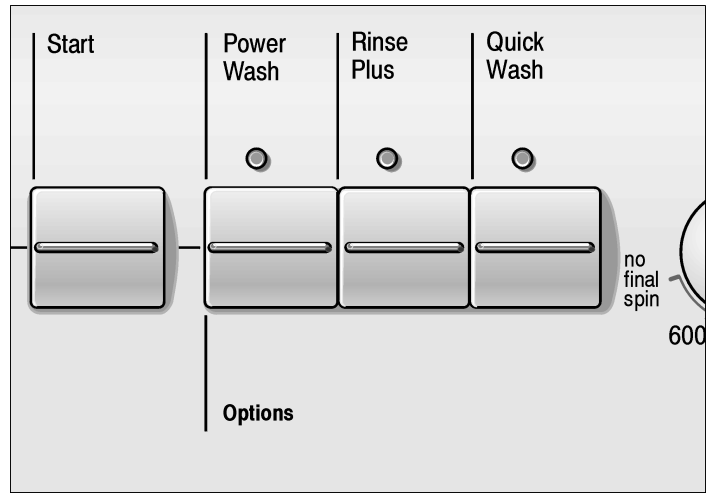
- ☐ Turn on the water taps.



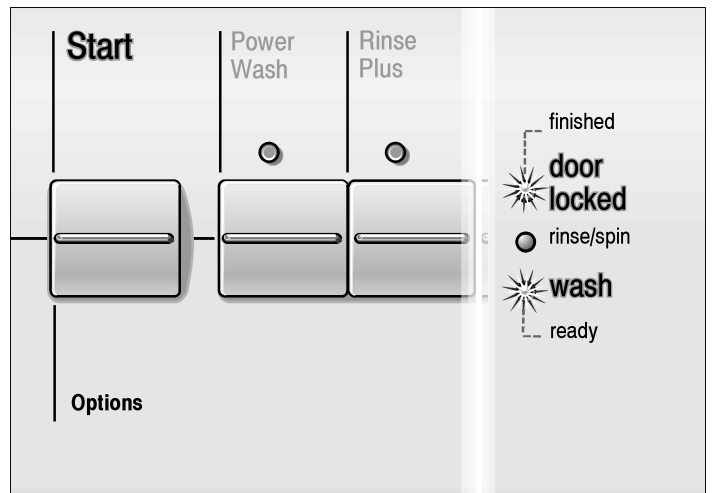
- ☐ Turn the program selector to the desired program.



- ☐ Select the desired spin speed or **no final spin**.



- ☐ Where required, press the option button(s) for additional function(s).



- ☐ Press the **Start** button.  
The **wash** light comes on, and the program starts.  
The **wash** light changes during the program to **rinse/spin**.



## Soaking

The **Soak** setting is used to pre-treat heavily stained items:

- Load laundry of the same color.
  - Add detergent to chamber **I** according to the manufacturer's specifications.
  - Turn the program selector to **Soak**.  
The **ready** light is flashing.
  - Press the **Start** button.  
The **wash** light comes on and the program starts.
- i** The soak cycle lasts 2 hours with the temperature held at 60 °F (15 °C)! It is ended with a short spin cycle. All the water is pumped out.

## Bleaching

 <b>WARNING</b> 
DO NOT use liquid chlorine bleach in this washing machine.

## Decolorizing

<b>CAUTION</b>
Decolorants may contain sulphur or chlorine. These substances can cause parts of the washing machine to corrode. Do not decolorize items of laundry in the washing machine.

## Changing a program

If you have accidentally selected the wrong program:

- Turn the program selector to **Off**.
- Turn the program selector to the desired program.  
The **ready** light is flashing.
- Press the **Start** button.  
The **wash** light comes on and the new program starts.

## Canceling an active program

If you wish to prematurely end a program:

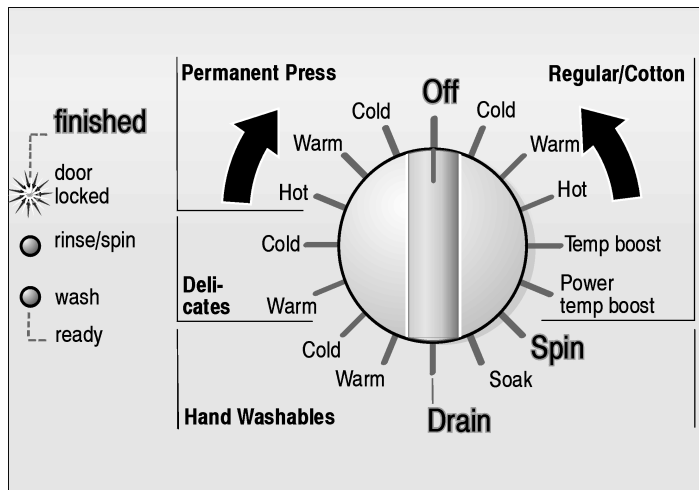
- Turn the program selector to **Off**.
- Turn the program selector to **Drain** or **Spin**.  
The **ready** light is flashing.

For **Spin**, select the desired spin speed (but not **no final spin**).

- Press the **Start** button.  
The **wash** light comes on and the program starts.

# When the Program has Ended

The **finished** light is flashing.



- Turn the program selector to **Off**, and, when required:
- Select a program (**Drain** or **Spin**).
- Press the **Start** button.  
The **rinse/spin** light comes on and the program starts.
- At the end of the program, turn the program selector to **Off**.

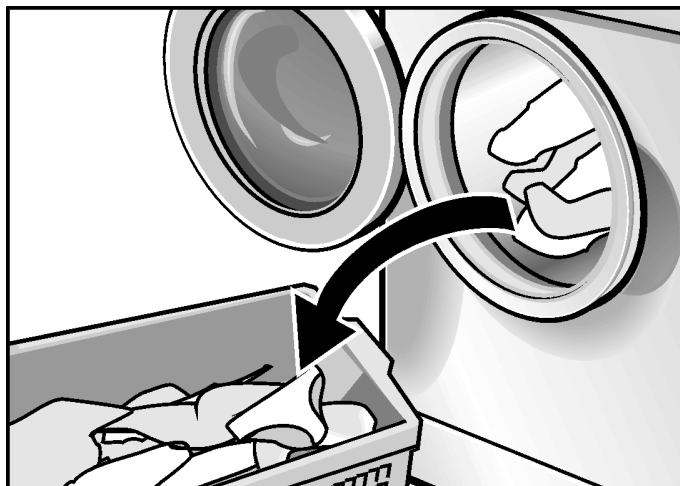
## Unloading the laundry

When the **door locked** light goes off:



- Turn off the water taps.
- Open the loading door.

If the loading door cannot be opened:  
Wait for 2 minutes (the safety function is active) or  
there is still water in the washing machine if the **no final spin** option was selected.  
In this latter case, select the **Drain** or **Spin** program.



- Unload the laundry.

### CAUTION

Check occasionally for any foreign objects (e.g. coins, paper clips) in the drum and rubber seal. Promptly remove metal debris to reduce the risk of rust or damage to the rubber seal.

- Leave the loading door open to allow the inside of the washing machine to dry out.

# User Maintenance Instructions

## Cleaning and Care



### WARNING



Avoid risk of electric shock!  
Always disconnect the appliance from the power supply before cleaning.

Never clean the washing machine with a stream of water.



### WARNING



Avoid risk of explosion!  
Never use solvents to clean the appliance.

## Cleaning the appliance housing and control panel

As required:

- Use hot soap suds or a mild, non-abrasive cleaning agent.
- Rub dry with a soft towel.

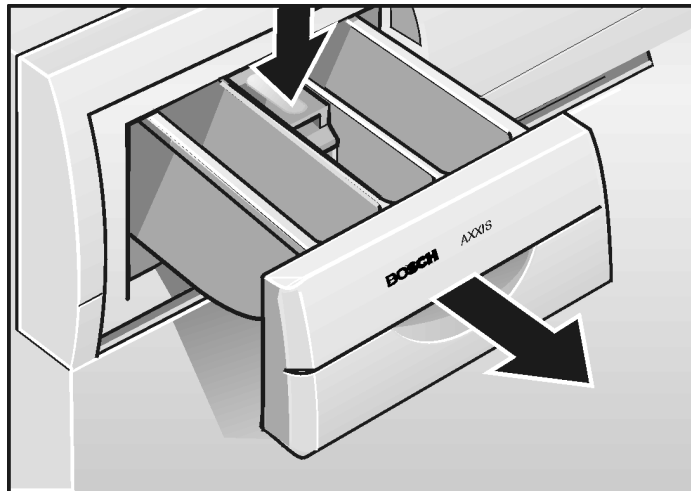
## Cleaning the drum

In the event that rust spots have formed due to left-over debris (e.g. coins, paper clips, needles, nails):

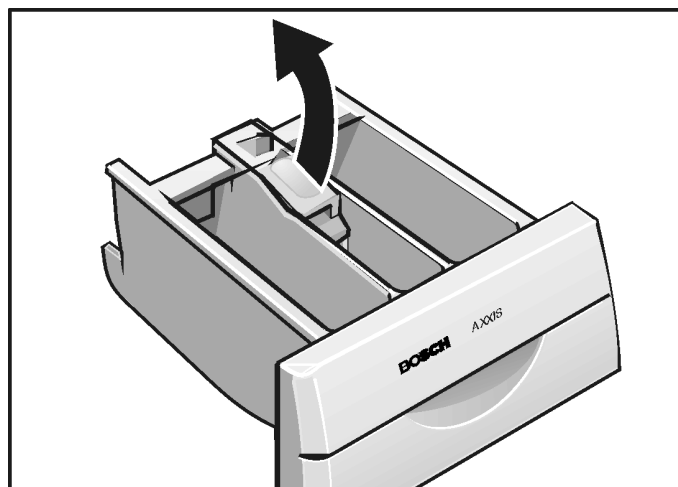
- Use a chlorine-free cleaning agent. Follow the manufacturer's instructions. Never use steel wool.

## Cleaning the detergent dispenser

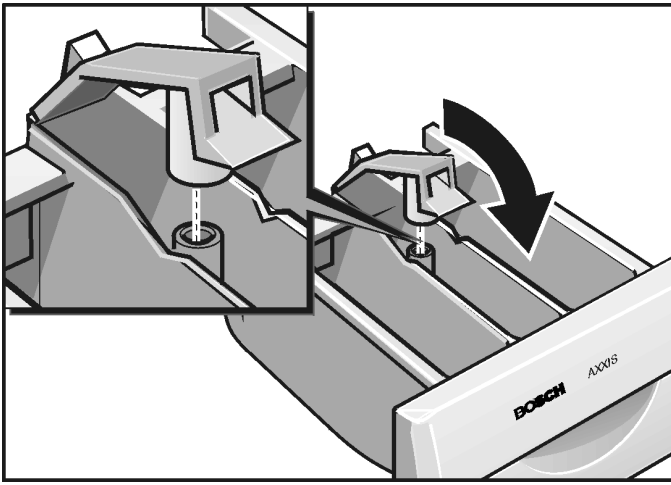
In case residual detergents or additives have accumulated:



- Pull out the detergent dispenser to the final stop,
- Press down the indent on the insert and
- Remove the detergent dispenser completely.



- Pull up the insert.
- Clean the detergent dispenser and the insert under running hot water and dry them afterwards.



- Push down the insert until it clicks into place.
- Reinsert the detergent dispenser into place.

## Cleaning the drain pump

This is necessary if the water cannot be drained completely. This could result if the pump is blocked by debris or accumulated lint.

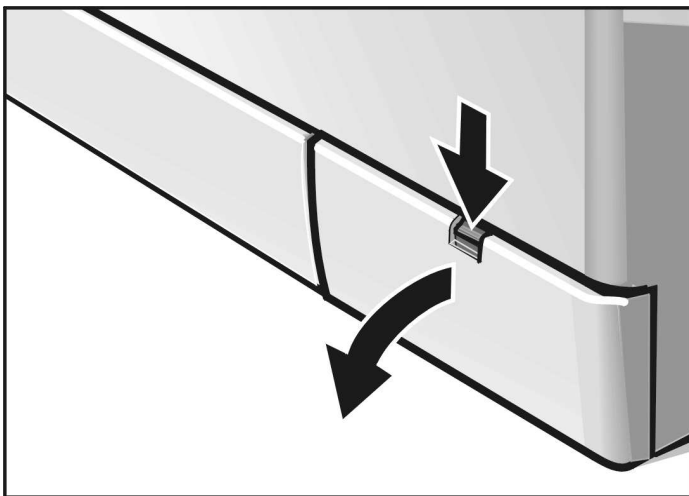
### Draining the water

Up to 20 litres/4.4 gal may be drained. Have a suitable container ready.

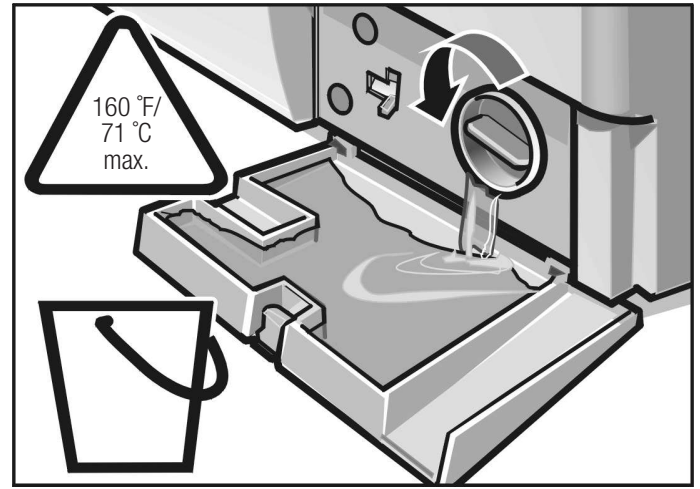
## CAUTION

Avoid risk of scalding!  
Allow the hot water to cool.  
Keep children and pets away from the washing machine.

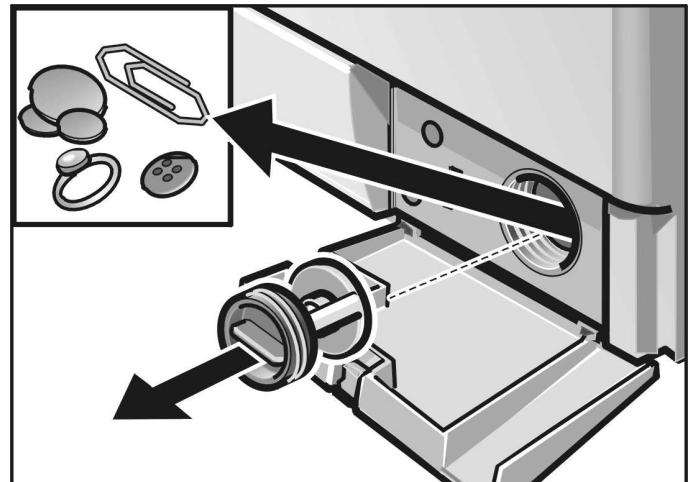
- Turn the program selector to **Off**.



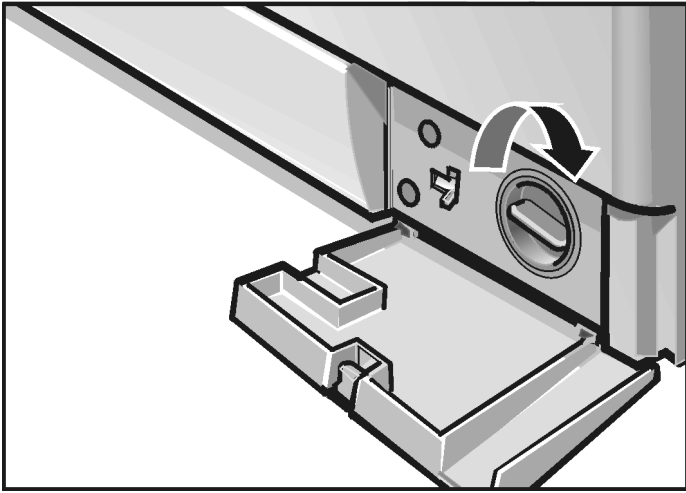
- Fold down the cover panel.



- Unscrew the pump cap slightly until the washing solution slowly begins to run into the cover plate cavity.
- When the cover plate cavity is half full, tighten the pump cap and empty the cover plate cavity.  
Repeat the last two steps until all the washing solution has been drained.



- Completely remove the pump cap.
- Remove any loose debris/lint from inside the pump and clean the pump. The pump impeller must be able to rotate.  
Clean any remaining water or lint from the threads of the pump cap and pump housing.



- Attach and tighten the pump cap.
- Attach and close the cover plate.

To prevent unused detergent from flowing into the drain during the next wash cycle:

- Pour 1 litre/1  $\frac{3}{4}$  pt of water into chamber **II**.
- Select the **Drain** program.

## Cleaning water inlet strainers

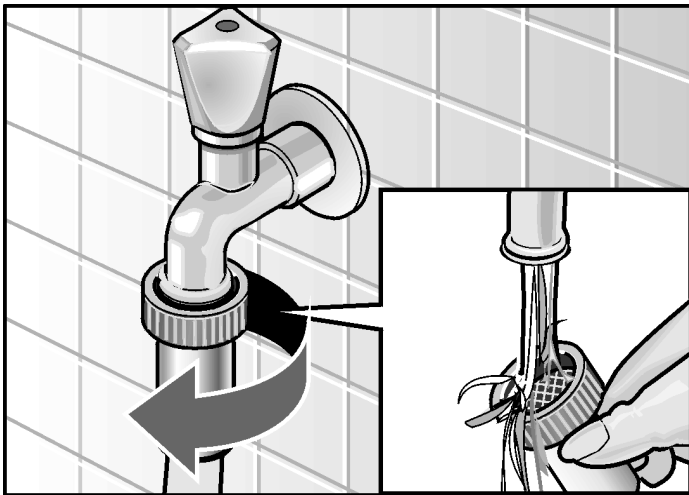
This is necessary if very little or no water flows into the washing machine.

**First release the water pressure in the supply hoses:**

- Turn off the water taps.
- Turn the program selector to any program (except **Spin** or **Drain**).
- Press the **Start** button and allow the program to run for approx. 40 seconds.
- Turn the program selector to **Off**.

### Cleaning the strainer(s) at the water tap

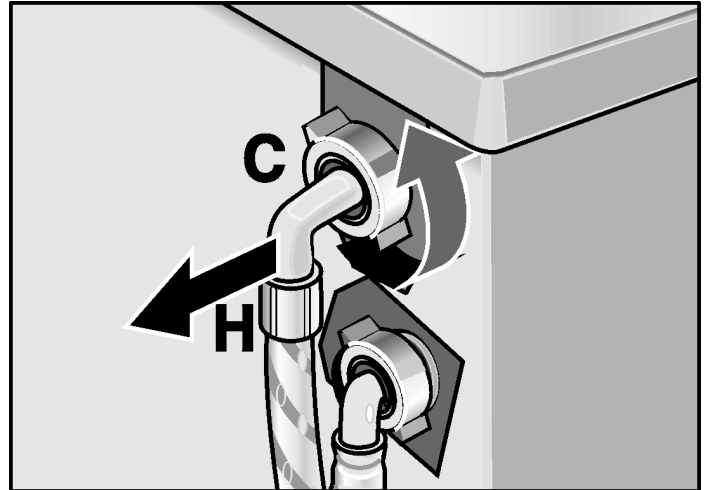
On both the hot and cold water tap:



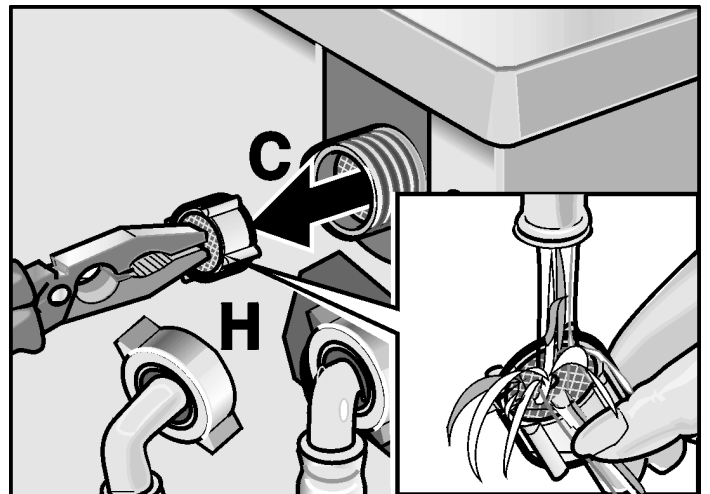
- Disconnect the hose from the water tap.
- Rinse the strainer under flowing water.
- Reconnect the hose.

## Cleaning the strainers on the washing machine

On both the hot **H** and cold **C** water tap:



- Disconnect the hose from the back of the washing machine.



- Pull out the strainer and rinse under running water.
- Insert the strainer and reconnect the hose.
- Turn on the water tap and check whether water is discharged. If water is discharged, check that the strainer is inserted properly.
- Turn off the water tap.

## Descaling the washing machine

### CAUTION

Descaling agents contain acids which can attack parts of the washing machine and discolor the laundry.

Provided that you use the correct amount of detergent, it is not necessary to descale the washing machine.

If, however, descaling the appliance becomes necessary, please follow the instructions provided by the descaling agent manufacturer.

## Customer Service

The washing machine requires no special care other than the care and cleaning noted above. If you are having a problem with your washing machine, before calling for service please refer to page 24.

If service becomes necessary, contact your dealer or installer or an authorized service center. Do not attempt to repair the appliance yourself. Any work performed by unauthorized personnel may void the warranty.

If you are having a problem with your washing machine and are not pleased with the service you have received:

- First, please contact your installer or the Authorized Service Contractor in your area and explain to them why you are not satisfied. This will usually correct the problem.
- If after working with your installer or service persons the problem still has not been resolved to your satisfaction, please let us know by either writing to us at

BSH Home Appliances  
5551 Mc Fadden Ave.  
Huntington Beach, LA 92649

or calling us at

**1-800/944-2904**

Please be sure to include, if writing, or have available, if calling, the following information:

- Model Number
- Serial Number
- Date of Original Purchase
- Date Problem Originated
- Explanation of Problem

Also, if writing, please be sure to include a daytime telephone number and a copy of sales invoice.

You will find the model number and serial number information on the rating plate located on the inside of the door above the door glass.

# Troubleshooting of Minor Faults



## WARNING



Avoid risk of electric shock!  
Repairs must only be carried out by our Customer Service or an authorized technician.

If repairs are necessary, and you cannot eliminate the fault yourself with the aid of the following table:

- Turn the program selector to **Off**.
- Disconnect the washing machine from the power supply.
- Turn off the water tap.
- Call Customer Service (refer to Page 23).

Fault	Possible cause	Action
The loading door cannot be opened.	<b>no final spin</b> was selected.	Select <b>Drain</b> or <b>Spin</b> .
	Safety function is active.	Wait for 2 minutes.
Detergent residue in the detergent dispenser.	Detergent was damp or lumpy.	Clean and dry the detergent dispenser (refer to Page 19).
Control lights do not come on.	A fuse has tripped.	Use the dispensing aid for liquid detergent. Call Customer Service / reset the fuse.
	Power failure.	An interrupted program will be resumed when power returns. If you wish to unload the laundry, proceed as in "Cleaning the drain pump", Page 20.
	Plug is loose or not inserted.	Insert the plug.
Program does not start. The <b>ready</b> control light flashes.	Loading door not closed.	Check whether laundry is trapped in door. Close the loading door (a click should be heard).
	<b>Start</b> button not pressed.	Press the <b>Start</b> button.
Water does not enter the machine or detergent is not washed away.	Water tap not turned on.	Turn on water tap.
	Supply hose kinked or trapped.	Eliminate the cause.
	Strainer in supply hose clogged.	Clean the strainer (refer to Page 22).
Water cannot be seen in drum.	This is not a fault. The water lies below the visible part of the drum.	
Water is not completely drained.	Loose debris is blocking the pump.	Clean the pump (refer to Page 20).
	Lint-producing laundry was washed at a high temperature. The water drainage pipe or drain hose is blocked.	Clean the water drainage pipe and/or drain hose.
Water is flowing out from underneath the machine.	The thread of the supply hose is not tight.	Tighten the thread.
	Leak in the drain hose.	Replace the drain hose.



Fault	Possible cause	Action
Foam coming out of the detergent dispenser.	Too much detergent.	Mix 1 tablespoon of fabric softener with ½ litre / 1 pt of water and pour into chamber I of the detergent dispenser. Use detergent recommended for high efficiency and front-loading washers.  Reduce the amount of detergent next time.
The laundry was not spun	Large items of clothing became entangled and could not be distributed evenly in the drum. For safety reasons, the high-speed final spin cycle was automatically cancelled.	Always load large <b>and</b> small items together into the drum.
Spin result unsatisfactory.	Low spin speed selected	Select higher spin speed.
Repeated spinning at short intervals.	This is not a fault. The imbalance compensation system is attempting to balance the load through repeated spins.	
The program takes longer than usual.	This is not a fault. Unbalanced load detection system attempts to distribute the washing evenly by spinning it several times.	Always load large <b>and</b> small items together into the drum.
	The foam detection feature has activated an additional rinsing cycle to reduce the amount of foam.	Add a more appropriate amount of detergent next time.
Unsatisfactory washing result.	The degree of dirt was higher than supposed.	Select a more suitable program.
	Not enough detergent.	Add detergent according to the manufacturer's specifications.
Detergent residue on the laundry.	Some phosphate-free detergents contain water-insoluble residues that may appear as light spots on the laundry.	Brush off spots when laundry is dry.
Grey residues on the laundry.	Dirt accumulation from ointments, fats or oils.	Add the maximum amount of detergent and select the highest permissible temperature next time.

# Installation, Connection and Transportation

## Safety information

### CAUTION

Avoid risk of injury!  
The washing machine is heavy. Lift with caution.

### CAUTION

Frozen hoses can tear/burst. Do not install the washing machine outdoors or in an area exposed to frost.

Be sure to observe all listed warnings and cautions.

These installation instructions are intended for use by qualified installers. In addition to these instructions the washer shall be installed:

- In the United States, in accordance with the National Electric Code, ANSI/NFPA70 ~ latest edition/State and Municipal codes and/or local codes.
- In Canada, in accordance with the Canadian Electric Code C22.1 ~ latest edition/State and Municipal codes and/or local codes.

If the washing machine is stored in a room which will be exposed to temperatures below the freezing point, or if it is located in a cabin that is being shut down for the winter, any residual water in the pump or water inlet hose(s) must be drained.

To drain the pump refer to page 20.

To drain the water hose(s) refer to page 22.

Take care not to damage the washing machine. Do not hold onto protruding parts (e.g. loading door) when lifting.

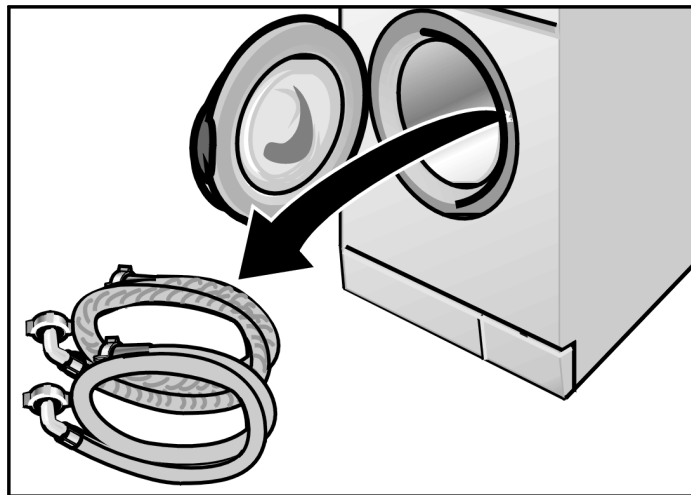
In addition to the safety information listed here, the local water and electricity supplier may have special requirements.

In case of doubt, have the appliance connected by an authorized technician.

## Factory-supplied equipment

There is a packet of accessory parts supplied with your washer. Check to make sure that all the accessory parts supplied for your model are there. If any parts are missing contact your dealer immediately.

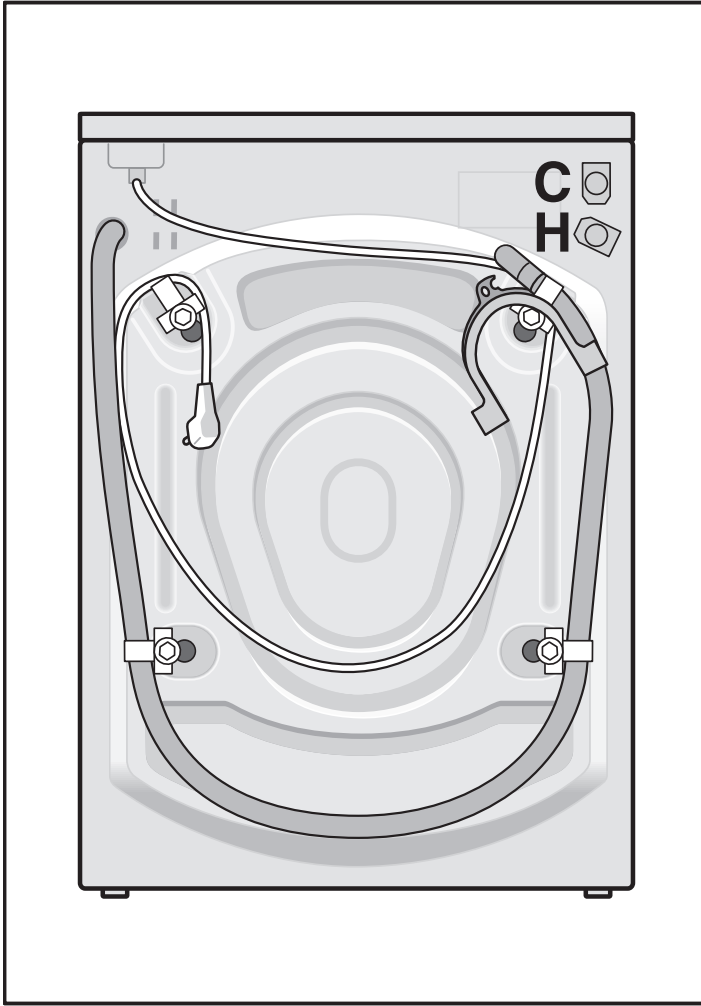
Inside the drum:



- Water supply hoses (cold and hot water).

Any dampness left inside the drum was caused by the final testing which every washing machine is subject to before leaving the factory.

On the rear of the appliance:

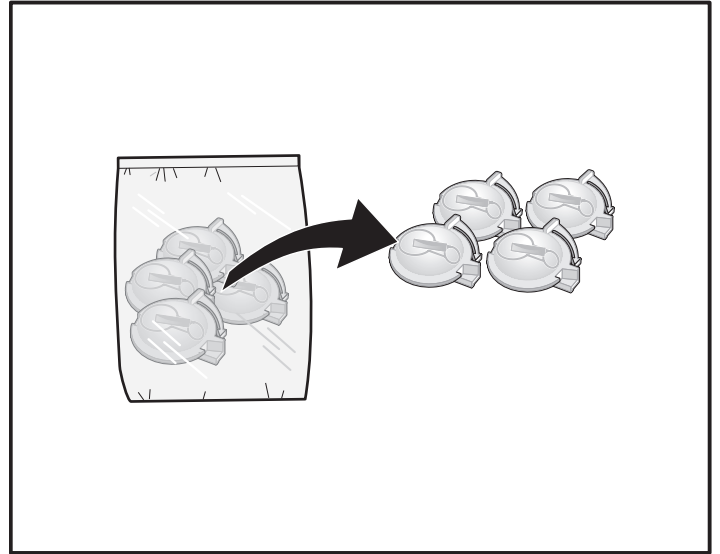


- Water drain hose.
- Power cord with plug.
- Elbow for attaching the drain hose, e.g. into a wash basin.

**C** = cold water connection

**H** = hot water connection

The bag contains:



- Covers to be placed over the holes for the transport bolts (after removing them).

Depending on the type of connection, the following may also be required:

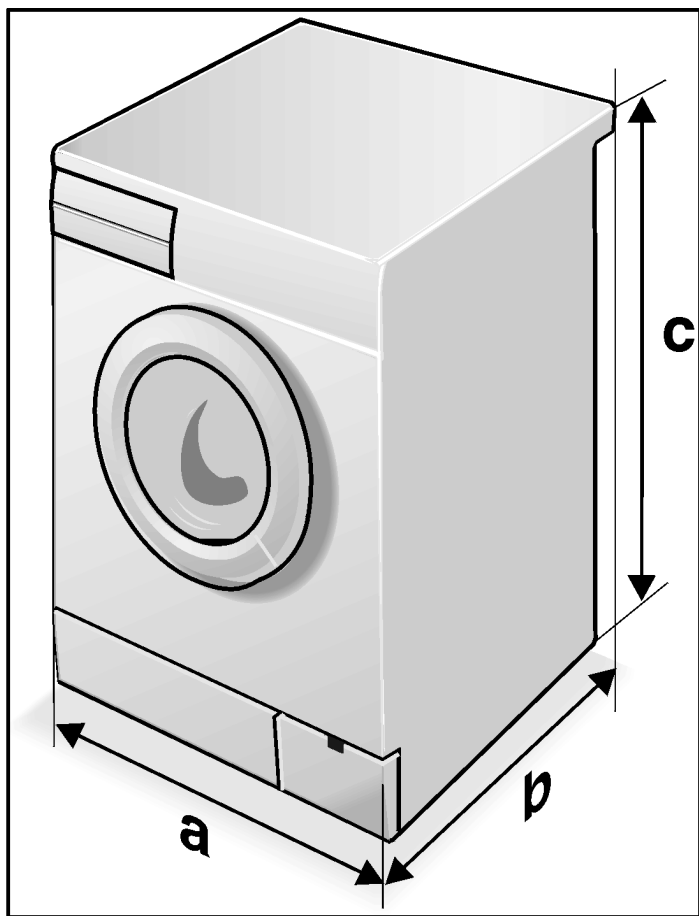
- Y-piece (can be obtained from any specialist store) in case there is only a cold water connection possible.

### Useful tools

The following tools are helpful:

- Box cutter.
- Flat screwdriver.
- Wrench, adjustable wrench.
- Spirit level.

## Dimensions



**a** = 600 mm // 23 <sup>5</sup>/<sub>8</sub>"

**b** = 590 mm // 22 <sup>1</sup>/<sub>2</sub>"

**c** = 852 mm // 33 <sup>1</sup>/<sub>2</sub>"

Approx. weight = 69 kg // 152 lbs.

## Installation area



### WARNING



Never ground the washer to plastic plumbing lines, gas lines or hot water pipes.

Appliance stability is important to make sure the washing machine does not “walk” during the spin cycles.

The installation area must be solid and even. Soft floor surfaces, such as carpets or surfaces with foam backing, are not suitable.

If the washing machine is to be installed on a wooden floor:

- If possible, place the washing machine in a corner of the room.
- Screw a water-resistant wooden board (at least 30 mm thick) to the floor.
- Secure the feet of the washing machine using holding brackets \*.

If the washing machine is to be placed on a pedestal:

- Secure the feet of the washing machine using holding brackets \*.

\* Holding brackets (set) can be obtained from the Customer Service (order no. WMZ 2200).



### WARNING



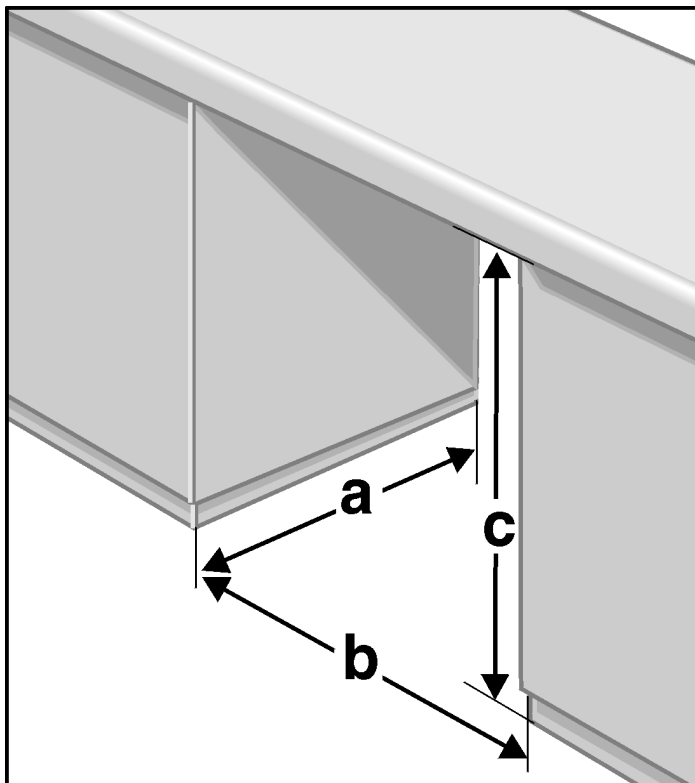
To reduce the risk of fire this washer must be fastened or otherwise secured to an uncovered concrete floor.

#### Pedestal Mounting

For mounting the washer on the Bosch 12” pedestal (accessory No. WTZ 1210) follow the instructions supplied with the pedestal.

## Built-in Installation

The appliance can be built-in; that is, you can install the washing machine under-counter in a kitchen cabinet opening.



**a** 570 mm minimum // 22 <sup>7</sup>/<sub>16</sub>"

**b** 600 mm minimum // 23 <sup>5</sup>/<sub>8</sub>"

**c** 850 mm minimum // 33 <sup>1</sup>/<sub>2</sub>"

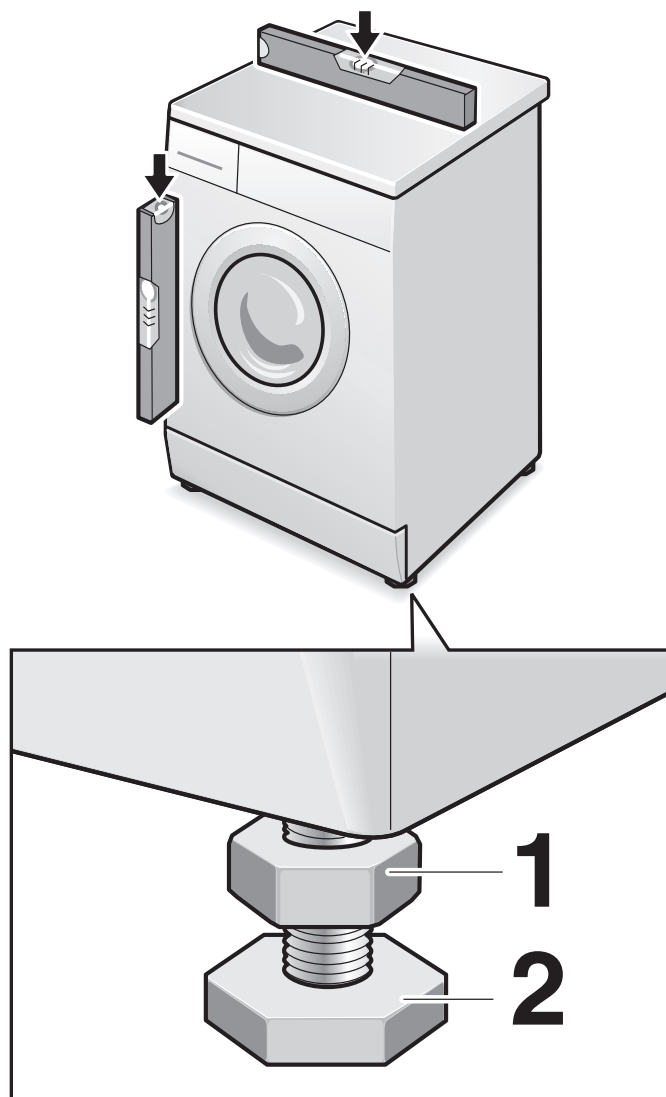
### Minimum Installation Clearances

	Alcove or Under Counter	
	Counter	Closet
<b>Sides</b>	0" (0 mm)	0" (0 mm)
<b>Top</b>	0" (0 mm)	0" (0 mm)
<b>Rear</b>	0" (0 mm)	0" (0 mm)
<b>Front</b>	0" (0 mm)	0" (0 mm)

**Note:** Closet with dryer, please check the openings and ventilation requirements for the dryer.

## Leveling procedure

All feet of the appliance must be placed firmly on the ground. The washing machine must not wobble.



Level the washing machine with the assistance of the four adjustable feet and a spirit level:

- Loosen the lock nut **1** using the wrench.
- Adjust the height by means of turning the appliance foot **2**.
- Tighten lock nut **1** against the housing.

## Removing the transport bolts



### WARNING



The transport bolts must be removed before using the appliance for the first time and must be retained for any future transport (e.g. when moving).

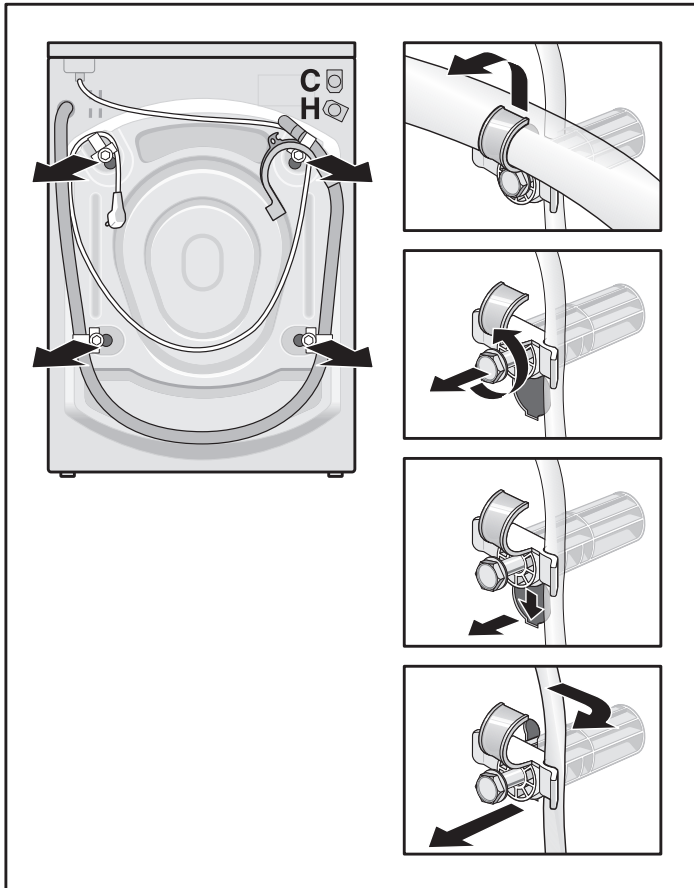
#### Preparing

Before removing the transport bolts:

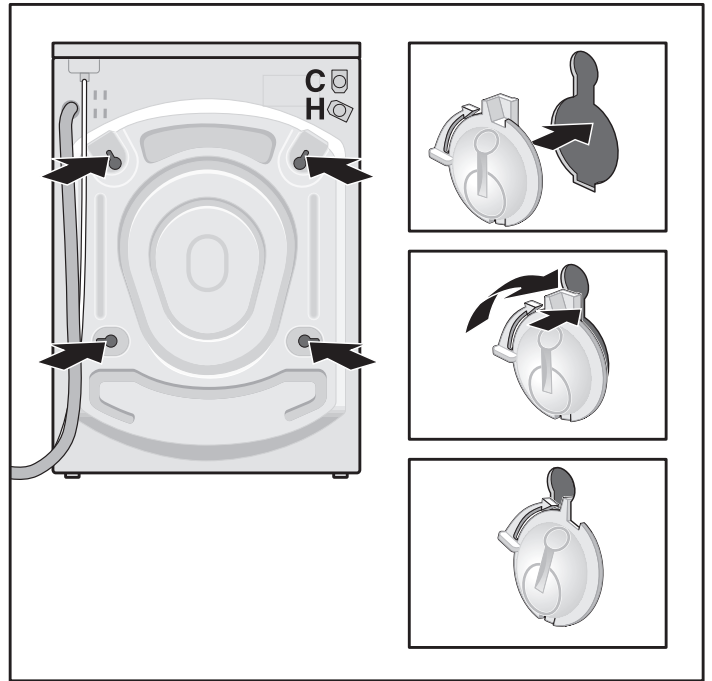
- ❑ Take the hose out of the holders.
- ❑ Detach the elbow.

#### Removing

- ❑ Release screws using the wrench until they can be moved freely.
- ❑ Completely remove all transport bolts and take the power cord out of the holder.

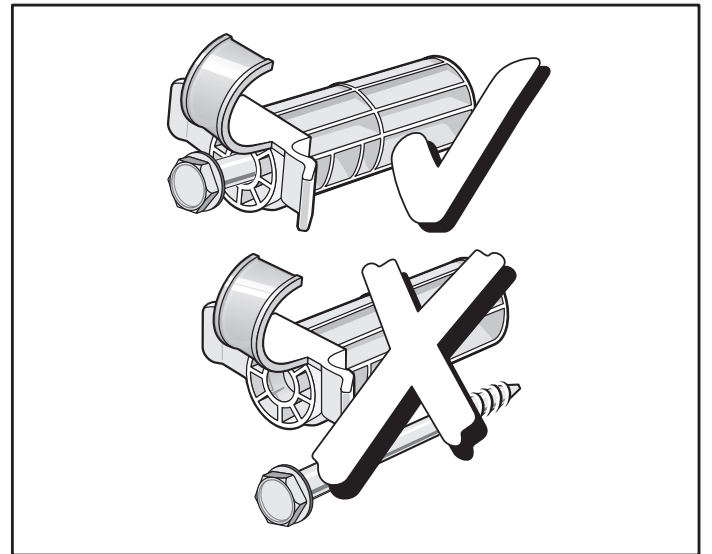


- ❑ Insert the covers.



#### Storing the transport bolts

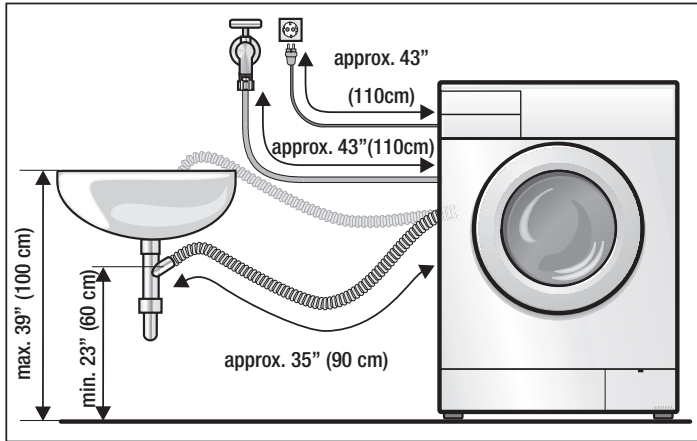
Always keep the transport bolts for future transportation of the appliance (e.g. when moving).



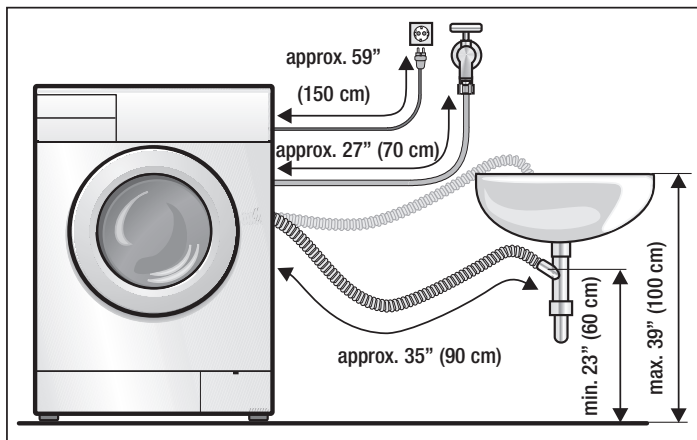
- ❑ Store the transport bolts with the washer and bushing attached.

# Hose and cable lengths

## Left-hand connection



## Right-hand connection



## Other hoses

Available at specialty dealers:

- Extended supply hose (approx. 2.2 m / 86.6 in).

# Water connection

## Water supply

### CAUTION

The washing machine must only be operated with cold and hot (max. 140 °F / 60 °C) tap water. Do not connect the appliance to the mixer tap of an unpressurized hot-water boiler.

If in doubt, have the water connection installed by an authorized technician.

The water supply hoses must not be:

- Bent or squashed.
- Modified or cut (stability can no longer be guaranteed).

Plastic threads must only be tightened by hand. Do not remove the strainers from the water supply hoses.

Observe the water pressure in the supply network:

- The water pressure should be between 14.5 to 145 p.s.i. (1 to 10 bars) (when the tap is turned on, at least 2.2 U. S. gallons (8 liters) of water are discharged per minute).
- A pressure reducing valve must be installed if the maximum water pressure is exceeded.

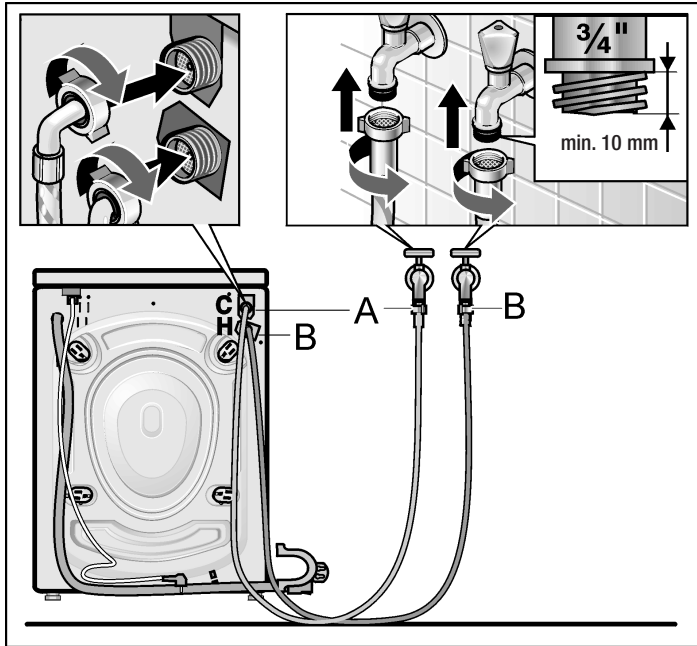
### CAUTION

To prevent against water damage, the hot and cold water valves should be accessible when the washer is in place and should **always** be turned off when the washer is not in use.

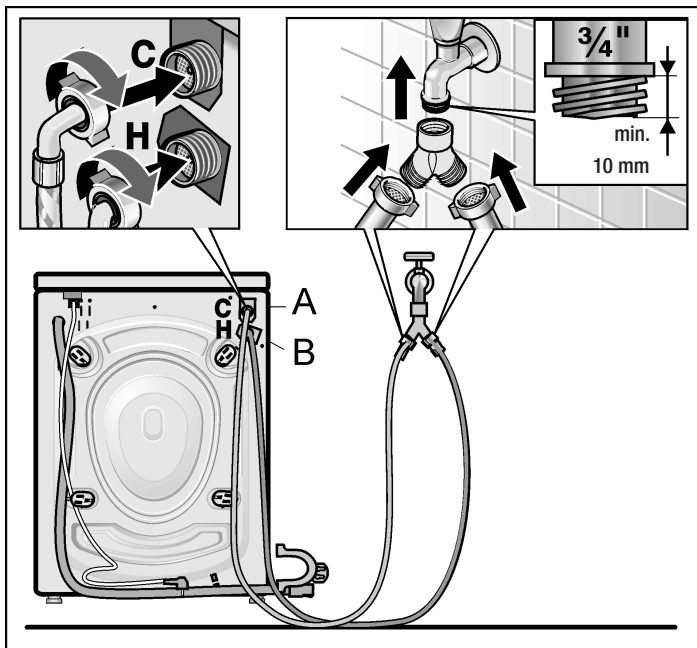
When the washer is being installed in a new building, or a building in which the plumbing system was installed or upgraded recently, the lines must be flushed prior to installing the washer. This must be done to clear the lines of any sand, dirt or residue that may still be in the lines.

## Connection options

**A Cold water connection and  
B Hot water connection** (max. 140 °F /60 °C)



or Cold water connection only with Y-piece



- ❑ After the connection:  
Turn on the water completely, and check whether connection points are watertight.

## CAUTION

The connection points are under full water pressure. Check seal with tap fully open.

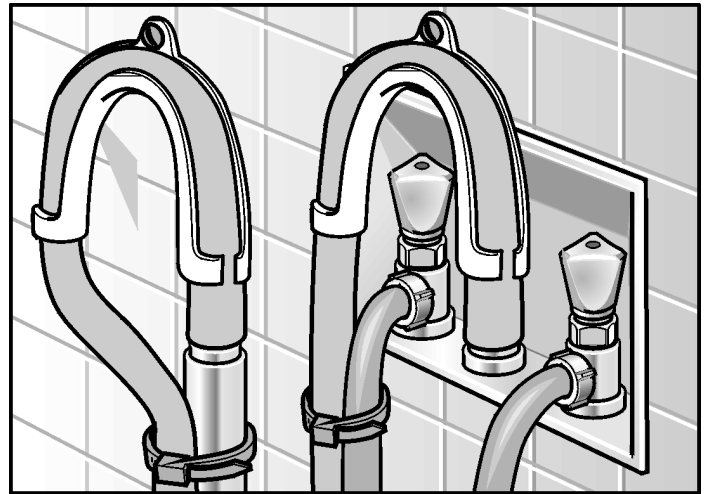
## Water drainage

### CAUTION

Do not bend or pull the water drainage hose.

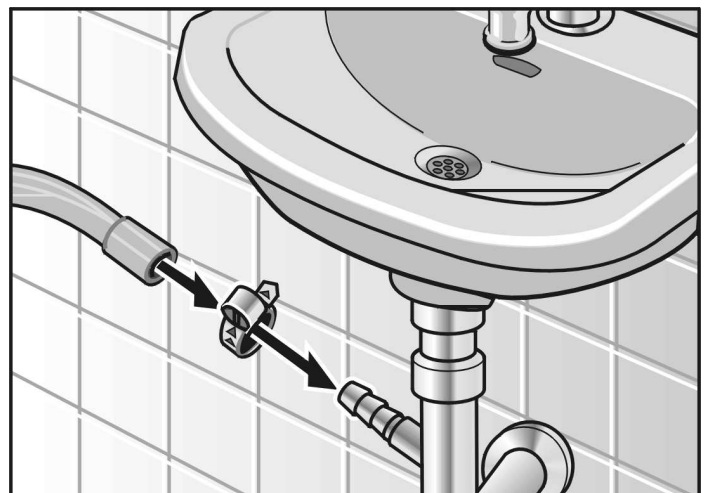
Height difference between the placement area of washer and the drainage point:  
Maximum 110 cm / 43 inches.

### Standpipe or In Wall Installation



- ❑ Use the U-bracket. Attach the U-bracket to the end of the hose and insert end of hose into standpipe or wall drain.
- ❑ Use a strap or cable tie connected to U-bracket to hold hose in place.

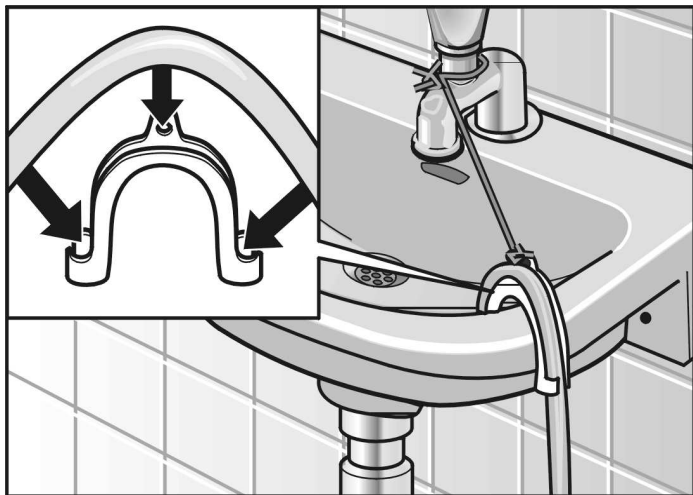
### Drainage into a siphon



- ❑ Secure the connection point with a hose clamp.



## Drainage into a wash basin



### CAUTION

The plug must not block the drain of the wash basin.

- ❑ Secure the water drainage hose so that it does not slide out.
- ❑ When the water is being drained, check whether the water flow is fast enough.

## Electrical connection

### GROUNDING INSTRUCTIONS

This appliance must be grounded. In the event of malfunction or breakdown, grounding will reduce the risk of electrical shock by providing a path of least resistance for the electric current. This appliance is equipped with a cord having an equipment-grounding conductor and a grounding plug. The plug must be plugged into an appropriate outlet that is properly installed and grounded in accordance with all local codes and ordinances.



### WARNING



Improper connection of the equipment-grounding conductor can result in the risk of electric shock. Check with a qualified electrician or serviceman if you are in doubt as to whether the washing machine is properly grounded.

Do not modify the plug provided with the appliance – if it will not fit in the outlet, have a proper outlet installed by a qualified electrician.



### WARNING



The washing machine must only be connected to an individual branch circuit using a properly installed socket outlet which is grounded.

The supply voltage must correspond to the voltage specification on the washing machine (nameplate). Connection specifications as well as the required fuses are stipulated on the appliance nameplate.

Volts	Hertz	Amperes	Watts
120	60	15	1800(max.)

Make sure that:

- the power plug fits into the outlet.
- the grounding system is properly installed.

The power cord may be replaced by an electrician only.


Replacement power cords are available from Customer Service.



## WARNING



To reduce the risk of fire or electrical shock, DO NOT use an extension cord or an adapter to connect the washer to the electrical power supply.

In the event that a ground-fault circuit breaker is to be used, only use types marked with the following symbol: .

Only this symbol can guarantee compliance with all current regulations.

Do not insert/remove the power cord with wet or damp hands.

Handle the plug body only when removing the plug from the socket.

## Transport, e.g. when moving

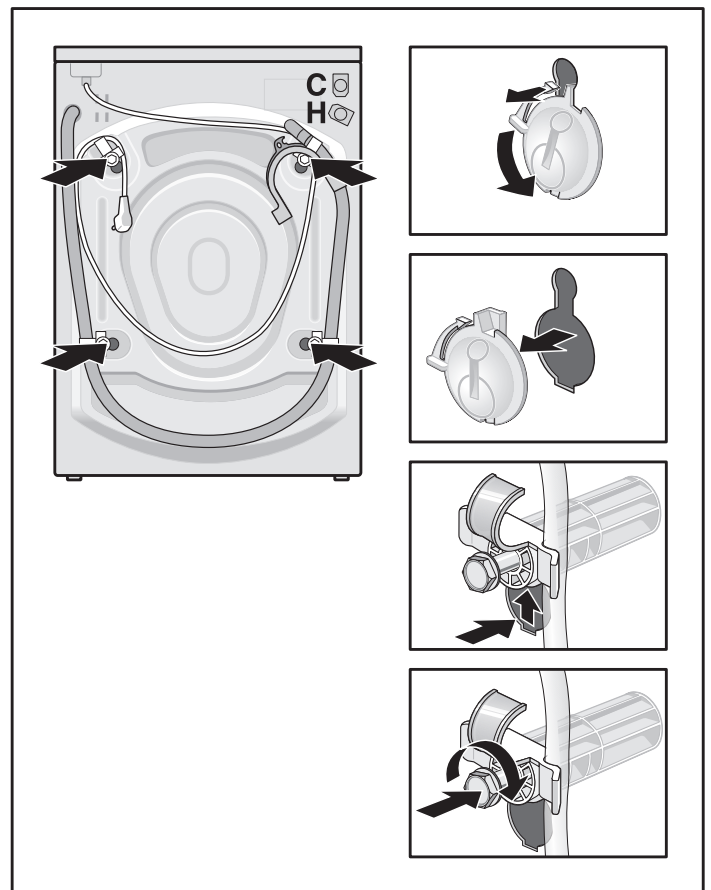
Before transporting the washing machine:

- Turn off the water,
- Release the water pressure in the supply hose (refer to page 22),
- Drain any remaining water (refer to page 20),
- Disconnect the washing machine from the electrical outlet.
- Dismantle the supply and drainage hose,
- Install all transport bolts.














Having transported the appliance and ensured proper installation and connection, allow the **Drain** program to run through before starting the first wash program.

### Preparing and inserting the transport bolts

- Remove the covers.
- Insert all 4 transport bolts and clamp the power cord to the holders. Tighten the bolts.



# Overview of Programs

Type of laundry Note care labels!	max. Load up to:	Care Symbols	Program	Program duration in min. (approx.) *			
				Without additional functions	With Power Wash	With Quick Wash **	With Rinse Plus
<b>Regular / Cotton</b>							
Colorfast and white cotton and linen (e. g. towels, sheets)	full load	  	Power temp. boost	75	115	75	80
			Temp. boost	65	100	60	75
			Hot	50	95	45	60
Non-colorfast cotton and linen		 	Warm	50	95	45	60
			Cold	50	95	45	60
<b>Permanent Press</b>							
Colorfast permanent press (e. g. dress, shirt, pants, poly, cotton blend)	½ load		Hot	45	70	40	55
			Warm	45	70	40	55
Non-colorfast permanent press (e. g. dress, shirt, pants, poly, cotton blend)		 	Cold	45	70	40	55
<b>Delicates</b>							
Delicates and knitted fabrics	⅓ load	 	Warm	30	50	30	37
			Cold	30	50	30	37
<b>Hand Washables</b>							
Hand washables and woolens (e. g. silk) 	⅓ load	 	Warm	30	50	30	37
			Cold	30	50	30	37

## Additional programs

Program selector	Notes / Application	Program duration in min. (approx.) *
<b>Spin</b>	<b>Spin</b> cycle for spinning hand-washed laundry. Water is drained before the spin cycle.	11
<b>Soak</b>	The <b>Soak</b> setting is used to pre-treat heavily stained items.	120
<b>Drain</b>	Drains water after a wash program with the <b>No final spin</b> setting for gentle treatment of delicate laundry.	3

\* The program duration varies from the indicated values depending on the water pressure, water hardness, water inlet temperature, ambient temperature, type of washing and amount, detergent, fluctuations in the supply voltage and selected additional options.

\*\* Recommended for ½ load only.

Further information can be found in the operating and installation manual. Please read the manual carefully and comply with the safety instructions.

**STATEMENT OF WARRANTIES  
BOSCH CLOTHES WASHER**

The warranties provided by BSH Home Appliances ("Bosch") in this Statement of Warranties apply only to Bosch clothes washers sold to the first using purchaser by Bosch or its authorized dealers, retailers or service centers in the United States or Canada. The Warranties provided herein are not transferable.

<b>LENGTH OF WARRANTY</b>	<b>SCOPE OF WARRANTY</b>
1 Year Full Limited Warranty From Date of Installation*	Bosch will repair or replace, free of charge, any component part that proves defective under conditions of normal home use labor and shipping costs included. Warranty repair service must be performed by an authorized Bosch Service Center (excludes cosmetic parts).
2 Year Limited Warranty From Date of Installation*	Bosch will provide replacement parts, free of charge, for any component part that proves defective under conditions of normal home use, shipping costs included.
5 Year Limited Warranty on Electronics From Date of Installation*	Bosch will repair or replace, free of charge, any microprocessor or printed circuit board that proves defective under conditions of normal home use for a period of five years from the date of original installation, labor charges excluded.
5 Year Limited Warranty on Motor From Date of Installation*	Bosch will repair or replace, free of charge, any motor or component part of the motor that proves defective under conditions of normal home use for a period of five years from the date of original installation, labor charges excluded.
5 Year Limited Warranty on Cabinet Rust From Date of Installation*	Bosch will replace any cabinet part, free of charge, if that cabinet part should rust through under conditions of normal home use, labor charges excluded.
Lifetime Limited Warranty against Stainless Steel Rust Through From Date of Installation*	Bosch will replace your clothes washer, free of charge, with the same model or a current model that is equivalent or better in functionality if the washer drum or outer tub should rust through under conditions of normal home use, labor charges excluded. Warranty is considered void if chlorine liquid bleach has been used.

\* Date of installation shall refer to the earlier of the date the clothes washer is installed or ten business days after the delivery date.

**Exclusions.**

This warranty does not cover service calls or repairs to correct the installation of the clothes washer, to provide instructions on the use of your clothes washer, to replace house fuses or correct plumbing or the electric wiring in your home or to repair any clothes washer that's use was in a manner other than what is normal and customary for home use. In addition, the warranties provided in this Statement exclude any defects or damage arising from accident, alteration, misuse, abuse, improper installation, unauthorized service work, external forces beyond Bosch's control, such as fire, flood, and other acts of God, or installation not in accordance with local electrical and plumbing codes. Labor charges incurred in the repair or replacement of any clothes washer after a period of one year from date of Installation shall not be covered by this warranty. Any and all replaced and/or repaired parts shall assume the identity of the original for purposes of the applicable warranty period. TO THE EXTENT PERMITTED BY LAW, THIS WARRANTY IS IN LIEU OF ALL OTHER EXPRESS AND IMPLIED WARRANTIES, INCLUDING THE IMPLIED WARRANTIES OF MERCHANTABILITY AND FITNESS FOR A PARTICULAR PURPOSE. Bosch DOES NOT ASSUME ANY RESPONSIBILITY FOR INCIDENTAL OR CONSEQUENTIAL DAMAGES.

TO OBTAIN WARRANTY SERVICE, CONTACT THE NEAREST BOSCH AUTHORIZED SERVICE CENTER OR CALL 1-800-944-2904, OR WRITE AT: BSH HOME APPLIANCES, ATTN. SERVICE, 2800 SOUTH 25TH AVENUE, BROADVIEW, ILLINOIS 60153. BE SURE TO PROVIDE YOUR CLOTHES WASHER'S MODEL, SERIAL NUMBER, PURCHASE DATE AND THE SELLER'S NAME AND ADDRESS.