

Installation Instructions
Instructions d'installation

3-30
31-59

Microwave oven

Model:
HMV 5051 C



Table of Contents

Safety	4
Important Safety Instructions	4
Before you begin	7
Location requirements	9
Installation procedure	10
Removing the mounting plate	10
Finding the wall studs	10
Possible wall stud configurations	10
Attaching the mounting plate to the wall	12
Installation types	16
Roof venting	17
Wall venting	20
Room venting	25
Mounting the microwave oven	27
Hood exhaust	29
Service	30

Safety



Important Safety Instructions

READ AND SAVE THESE INSTRUCTIONS

Important

SAVE THESE INSTRUCTIONS FOR THE LOCAL ELECTRICAL INSPECTOR'S USE.

LEAVE THESE INSTRUCTIONS WITH THE APPLIANCE AFTER INSTALLATION IS COMPLETE.



WARNING: If the information in this manual is not followed exactly, fire or shock may result causing property damage or personal injury.

Examine your oven

Unpack oven, remove all tape and packaging material and examine the oven for any damage such as dents, broken door latches or cracks in the door. Notify dealer immediately if oven is damaged. Do not install if oven is damaged.

Destroy the packaging after unpacking the appliance. Never allow children to play with packaging material.

Appliance handling safety

Unit is heavy and requires at least two people or proper equipment to move.

Hidden surface may have sharp edges. Use caution when reaching behind or under appliance.

Intended Use



CAUTION: For general ventilating use only. Do not use to exhaust hazardous or explosive materials and vapours.

Grounding Instructions

This appliance must be properly grounded. Grounding reduces risk of electric shock by providing an escape wire for the electric current if an electrical short occurs. This oven is equipped with a cord having a grounding wire with a grounding plug. The plug must be plugged into an outlet that is properly installed and grounded.



WARNING: Improper use of the grounding can result in a risk of electric shock.

Consult a qualified electrician or servicer if grounding instructions are not completely understood, or if doubt exists as to whether the oven is properly grounded.

Do not use an extension cord. If the product power cord is too short, have a qualified electrician install a three-slot receptacle. This oven should be plugged into a separate 60 Hertz circuit with the electrical rating as shown in specifications table. When the oven is on a circuit with other equipment, an increase in cooking times may be required and fuses can be blown.

Microwave operates on standard household current, 110-120 V.



Important Safety Instructions

READ AND SAVE THESE INSTRUCTIONS

Electrical Requirements

- a three prong grounded outlet
- 120 V, 60 Hz, AC only
- 15 Amp electrical supply with a fuse or a circuit breaker
- 1.6 kilowatt

This product must be connected to a supply circuit of the proper voltage and frequency. Wire size must conform to the requirements of the National Electric Code or the prevailing local code for this rating. The power supply cord and plug should be brought to a separate 15- to 20-amp branch circuit single grounded outlet. The outlet box should be located in the cabinet above the microwave oven. The outlet box and supply circuit should be installed by a qualified electrician and conform to the National Electrical Code or the prevailing local code.

The voltage used must be the same as specified on this microwave oven. Using a higher voltage is dangerous and may result in a fire or oven damage. Using a lower voltage will cause slow cooking. The dealer is not responsible for any damages resulting from the use of the oven with any voltage other than specified.

Location requirements

Check the opening where the microwave oven will be installed. The location must provide:

- Minimum installation dimensions (See **Installation Dimensions** illustration)
- Minimum one 2" x 4" (50.8 x 101.6 mm) wood wall stud and minimum 3/8" (9.5 mm) thickness drywall or plaster/lath within cabinet opening.
- Support for weight of 150 lbs (68 kg), which includes microwave oven and items placed inside the microwave oven and upper cabinet.
- Grounded electrical outlet inside upper cabinet. (See **Electrical Requirements** section).

Notes:

- If installing the microwave oven near a left sidewall, make sure there is at least 7" (178 mm) of clearance between the wall and the microwave oven, so that the door can open fully.
- Some cabinet and building materials are not designed to withstand the heat produced by the microwave oven for cooking. Check with your builder or cabinet supplier to make sure that the materials used will not discolor, delaminate or sustain other damages.

Ground continuity check

The installer must perform a ground continuity check on the power outlet box before beginning the installation to insure that the outlet box is properly grounded. If not properly grounded, or if the outlet box does not meet **Electrical Requirements**, a qualified electrician should be employed to correct any deficiencies.



Important Safety Instructions

READ AND SAVE THESE INSTRUCTIONS

Electric safety



CAUTION: For personal safety, remove house fuse or switch off the circuit breaker in the fuse box before beginning installation to avoid severe or fatal shock injury. Lock circuit breaker to prevent power from being turned on accidentally.

Be sure your appliance is properly installed and grounded by a qualified technician.

Installer – show the owner the location of the circuit breaker or fuse. Mark it for easy reference.

Do not, under any circumstances, cut or remove the ground prong. It must be plugged into a matching grounding type receptacle to avoid electrical shock. If there is any doubt as to whether the wall receptacle is properly grounded, the customer should have it checked by a qualified electrician. Do not use an extension cord.

Related equipment safety



CAUTION: For personal safety, this product cannot be installed in cabinet arrangements such as an island or a peninsula. It must be mounted to **both** a top cabinet **and** a wall.



WARNING: To reduce the risk of fire, use only metal ductwork.

Service and Repair Safety



WARNING: Do not repair or replace any part of the appliance unless specifically recommended in the manuals. Never modify or alter the construction of the appliance. Improper installation, service or maintenance can cause injury or property damage. Refer to this manual for guidance. Refer all other servicing to a factory authorized service center.

Before you begin

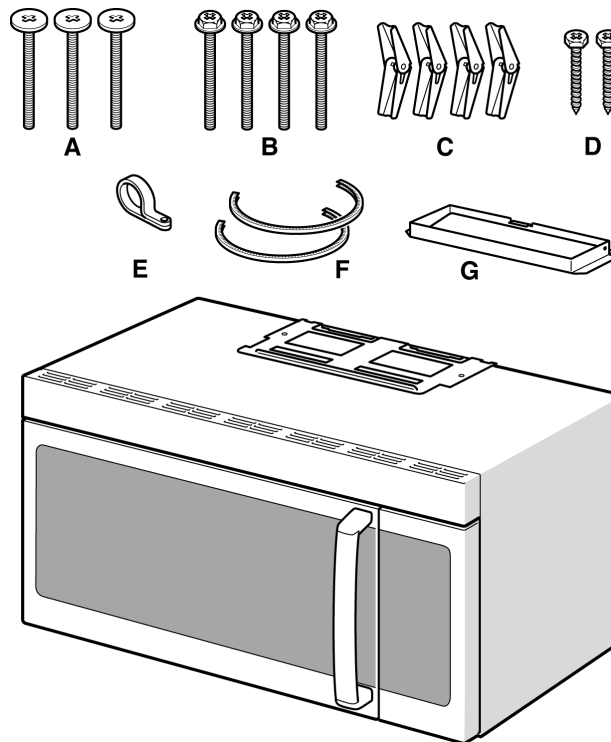
Tools and parts needed

- No.1 Phillips screwdriver
- Pencil
- Ruler or tape measure and straight edge
- Drill with $\frac{3}{16}$ " (5 mm), $\frac{1}{2}$ " (13 mm) and $\frac{5}{8}$ " (16 mm) drill bits
- Gloves
- Saw (saber, hole or keyhole)
- Stud finder or hammer
- Safety goggles
- Level
- Duct and masking tape

optional

- Carpenter square
- Tin snips (to cut damper)
- Scissors (to cut top cabinet template)
- Filler blocks or scrap wood pieces (for recessed bottom cabinet installations)

Parts included



You will find the installation hardware contained in packet with the unit. Check to make sure you have all these parts:

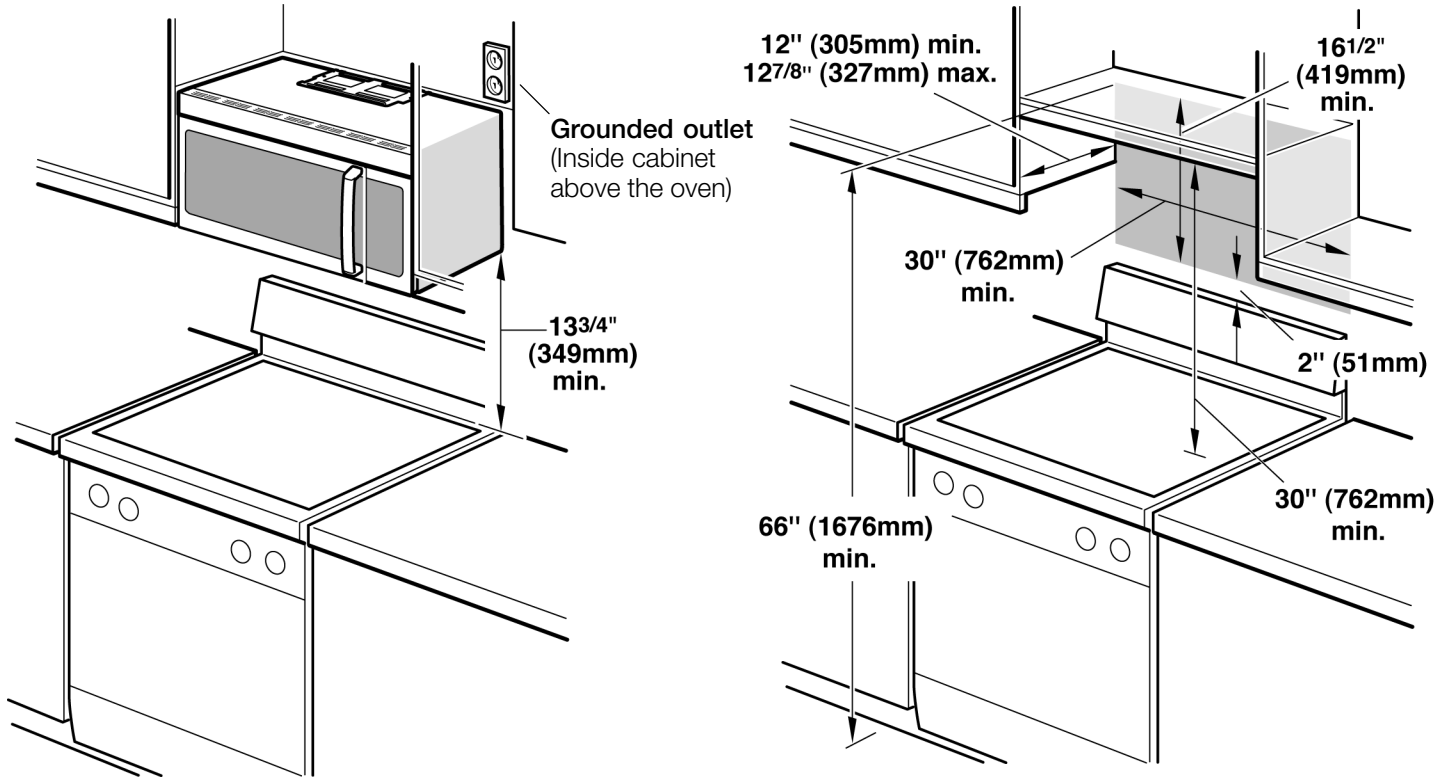
- **A** Self-Aligning Machine Screws – $\frac{1}{4}$ "-28 x $3\frac{1}{4}$ " (6-0,9 x 83 mm)
- **B** Toggle bolts – $\frac{3}{16}$ " x 3" (5 x 76 mm)
- **C** Toggle wings
- **D** Wood screws – $\frac{1}{4}$ " x 2" (6 x 51 mm)
- **E** Power chord strap
- **F** Nylon grommet (for metal cabinets)
- **G** Exhaust adaptor

Not shown:

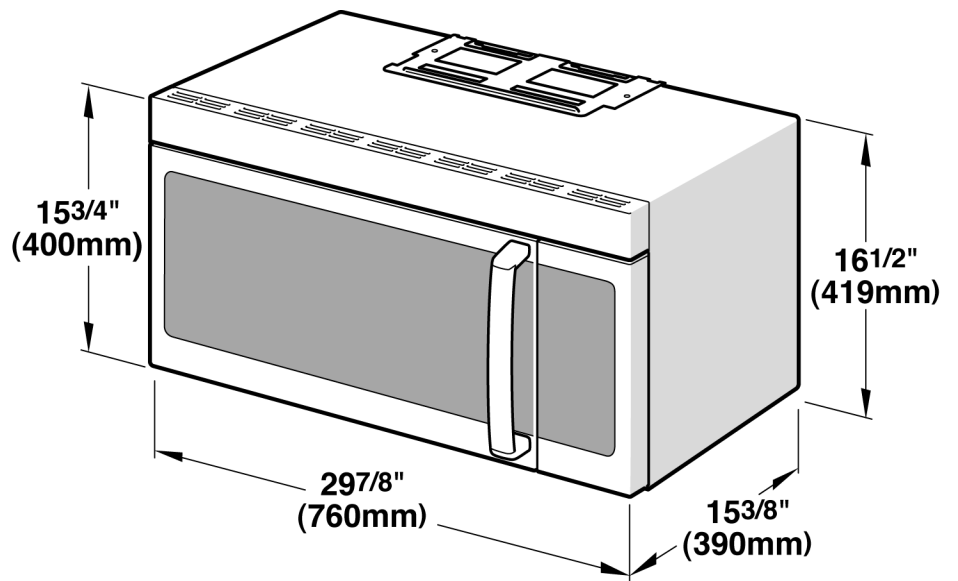
- Top cabinet template
- Mounting plate (attached to the back of microwave oven)
- Grease filters
- Charcoal filter (attached to microwave oven)

Location requirements

Installation dimensions



Product dimensions



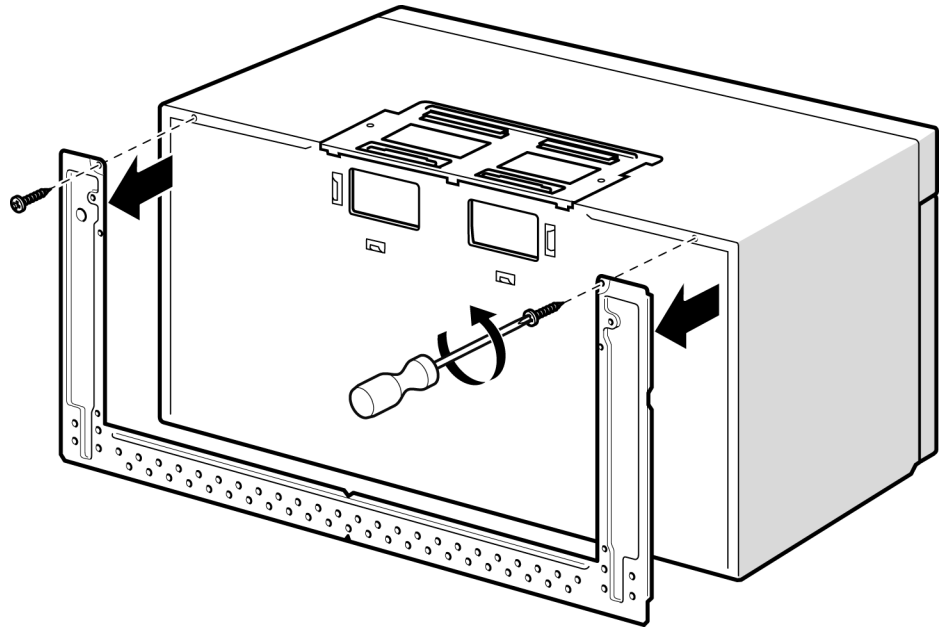
Installation procedure

Removing the mounting plate

Note: To avoid possible damage to the work surface or to the bottom of the appliance, cover the worksurface.

1. Remove any remaining contents from the microwave oven cavity.
2. Remove the screws from the mounting plate.

This plate will be used as the rear wall template and for mounting.



3. Reinstall the screws into the holes where they were removed.

Note: To avoid damage to the microwave oven, do not grip or use the door or door handle while the microwave oven is being handled.

Finding the wall studs

Note: The microwave must be connected to at least **one** wall stud. If no wall studs exist within the cabinet opening, do not install the microwave oven.

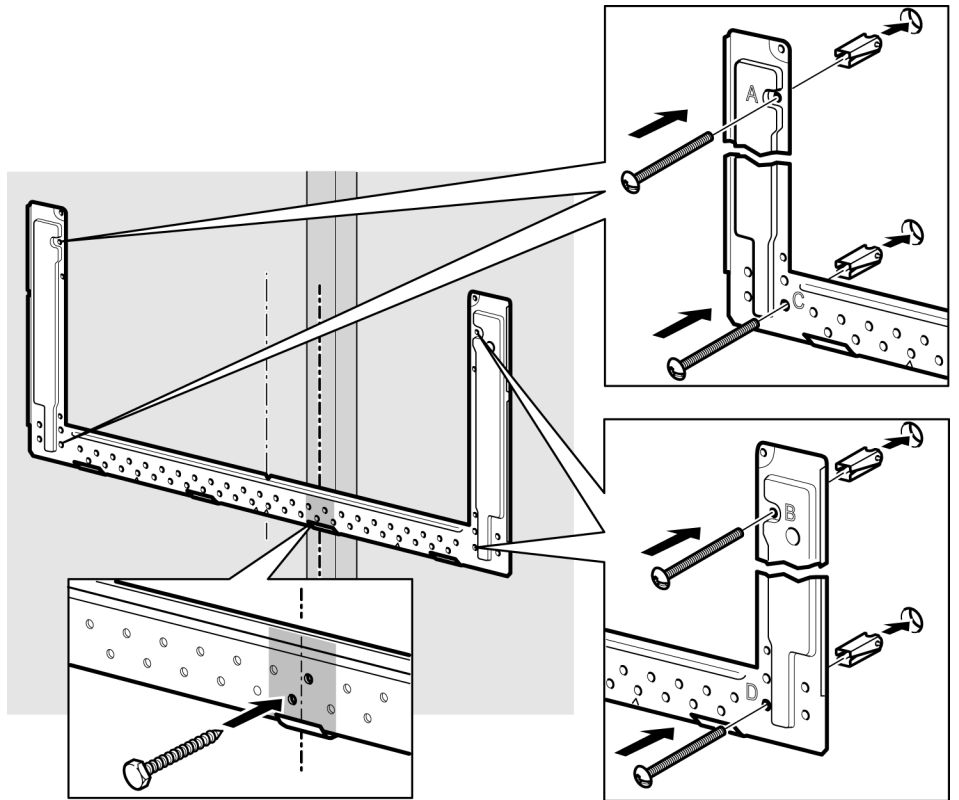
1. Locate the edges of the wall studs within the cabinet opening by using:
 - a stud finder or
 - a hammer (tapping lightly across the mounting surface to find a solid sound).
2. Place a mark halfway between the edges and draw a line down the center of the studs (See possible wall studs configuration)

Possible wall stud configurations

These depictions show examples of preferred installation configurations with the mounting plate.

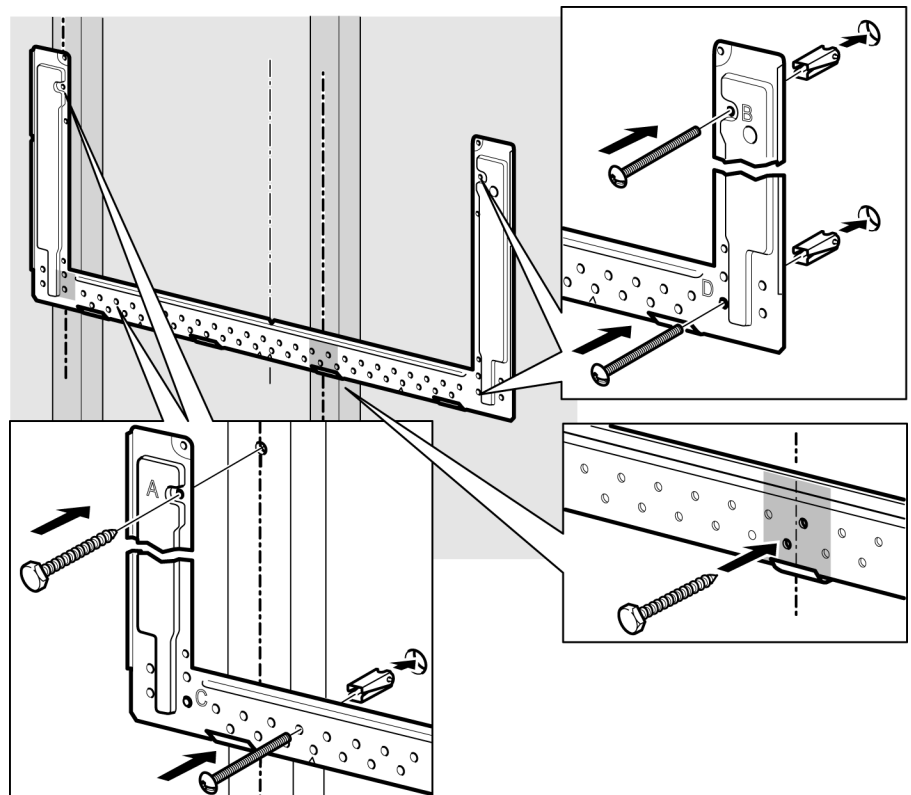
Note: Care must be taken when drilling holes. Electrical wires may be concealed behind the wall covering and contact with them could result in electrical shock.

No wall studs at corner holes

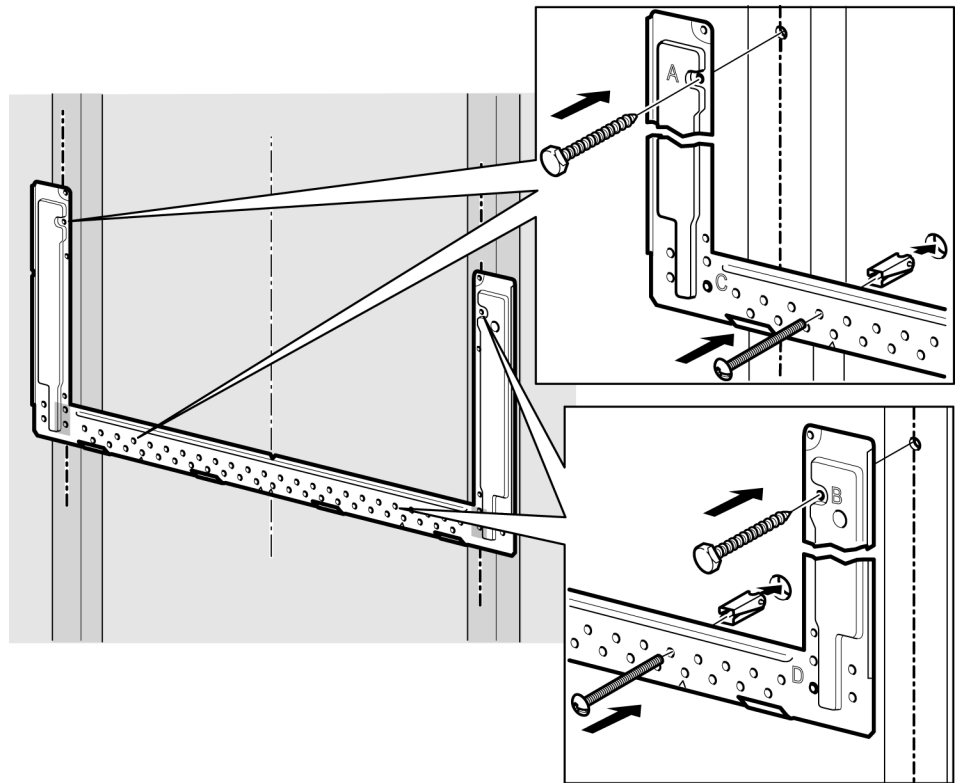


Note: If wall stud is within 6¼" (159 mm) of the vertical centerline, only Room Venting (recirculation) or Roof Venting installations can be done.

Wall stud at one corner hole



Wall studs at both corner holes



Attaching the mounting plate to the wall

Aligning the mounting plate



CAUTION: Wear gloves to avoid cutting fingers on sharp edges.

Note: Make sure the cabinet bottom is level.

1. Draw a vertical line on the wall at the center of the cabinet space.
2. Use the mounting plate as a **template** and place it on the wall, making sure that the tabs are touching the bottom of the cabinet (Figure 1) or the level line (Figure 2).
3. Line up the notch and centerline of the mounting plate to the centerline on the wall.
4. While holding the mounting plate, draw circles on the wall at holes **A**, **B**, **C** and **D**.

Note: If neither A, B, C nor D is in a stud, find a stud somewhere in the bottom area of the mounting plate and draw a fifth circle to line up with the stud.

It is important to use at least one wood screw mounted firmly in a stud to support the weight of the microwave.

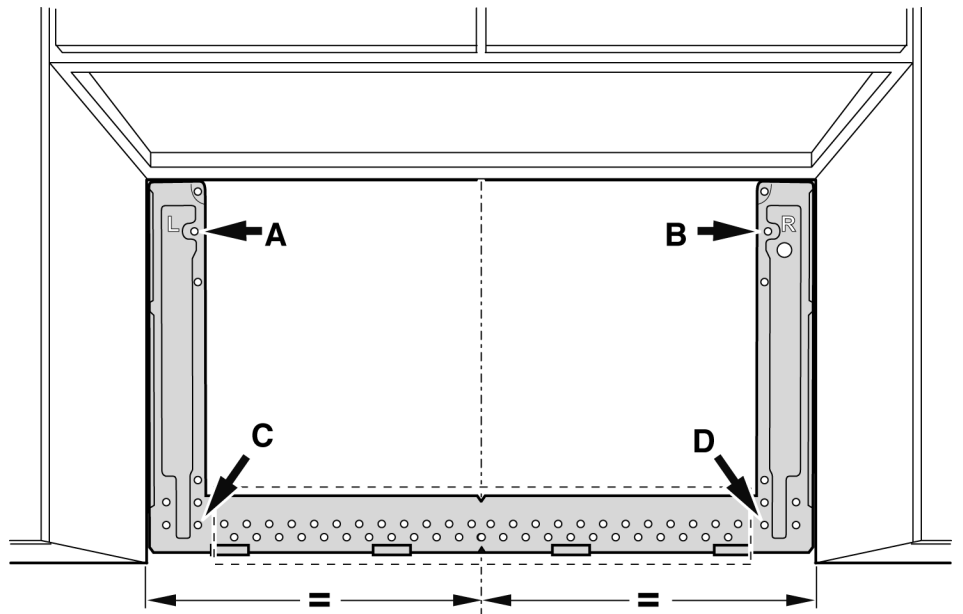


Figure 1 – Flat or frame recessed bottom cabinet

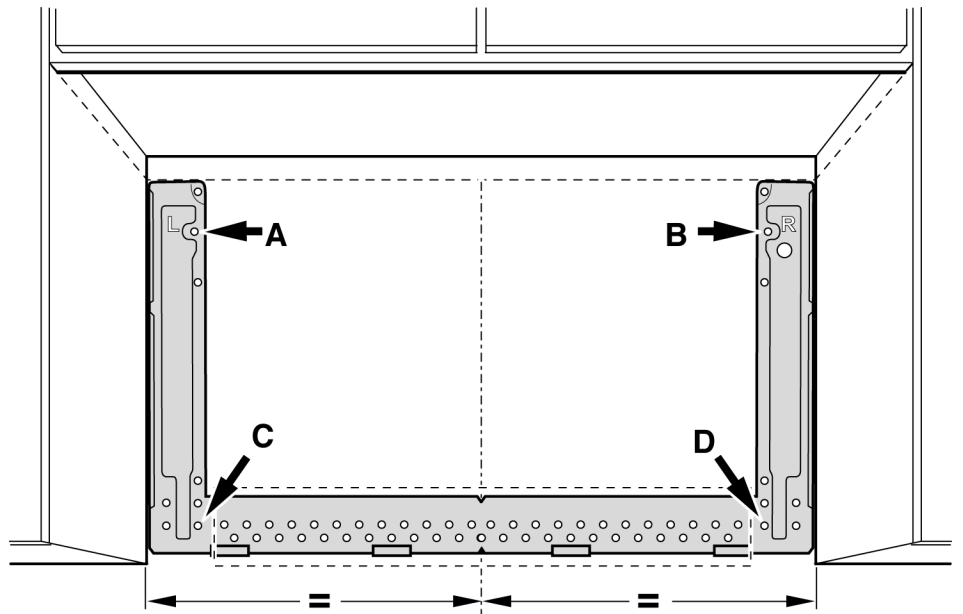


Figure 2 – Recessed bottom cabinet with front overhang

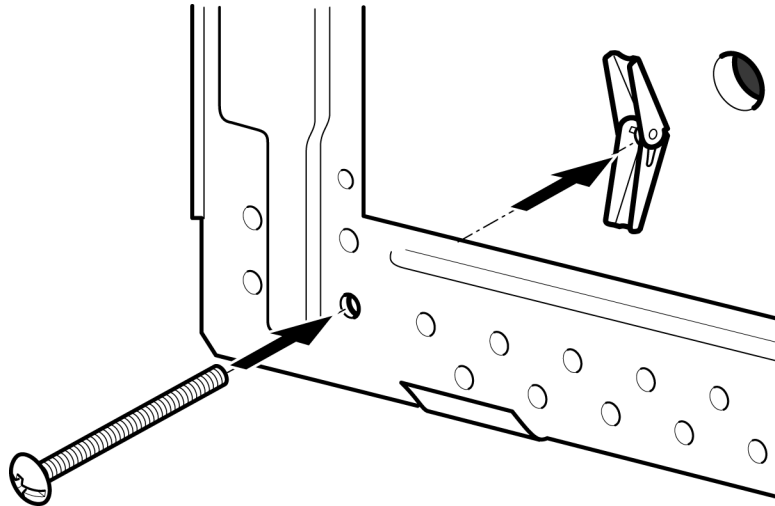
5. Set the mounting plate aside

6. Drill holes on the circles:

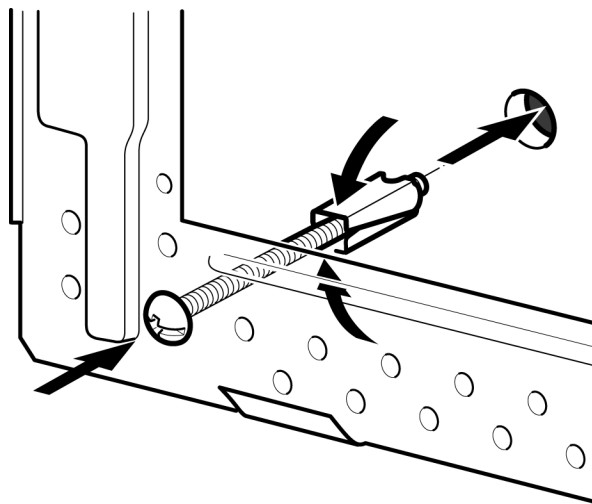
- 3/16" (5 mm) holes for wood screws (stud)
- 5/8" (16 mm) holes for toggle bolts (no stud)

**Attaching the mounting plate
(no wall studs at corner holes)**

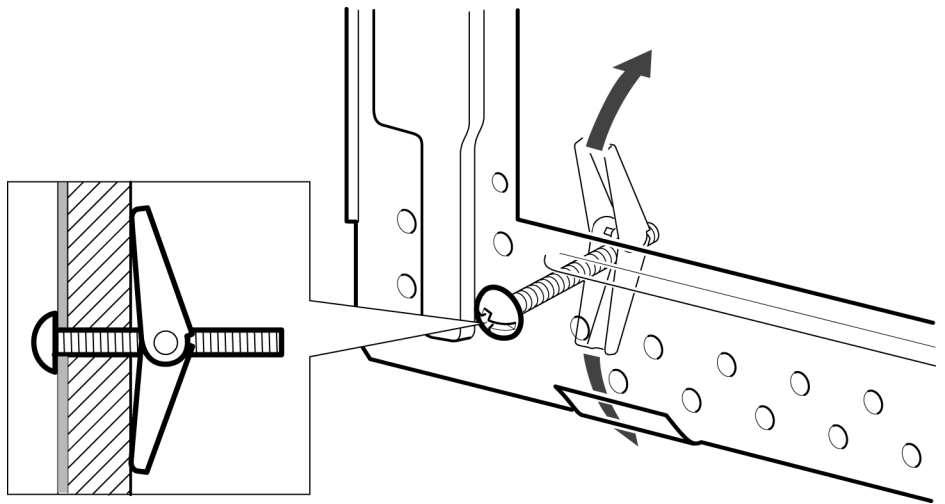
1. Insert the bolts into the mounting plate through the holes designated.



2. Attach toggle wings from the back of the mounting plate onto each bolt. Leave enough space for toggle wings to go through the wall and to open.



3. Place the mounting plate against the wall and make sure tabs are touching the bottom of the cabinet or the level line (see "Aligning the mounting plate").
4. Push the bolts through the drywall and finger tighten the bolts to make sure toggle wings have opened against drywall.



5. Check if the plate is properly centered, make sure it is level.
6. Securely tighten all screws, including the fifth wood screw in the bottom area of the mounting plate.

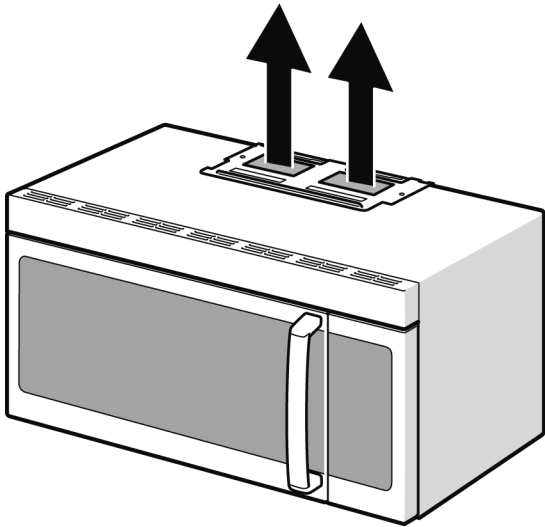
**Attaching the mounting plate
(Wall stud at one corner hole)**

1. Insert the bolts and the wood screws into the mounting plate through the holes designated.
2. Attach toggle wings from the back of the mounting plate onto each bolt. Leave enough space for toggle wings to go through the wall and to open.
3. Place the mounting plate against the wall and make sure tabs are touching the bottom of the cabinet or the level line (see "Aligning the mounting plate").
4. Push the bolts through the drywall and finger tighten the bolts to make sure toggle wings have opened against drywall.
5. Check if the plate is properly centered, make sure it is level.
6. Securely tighten all screws and bolts.

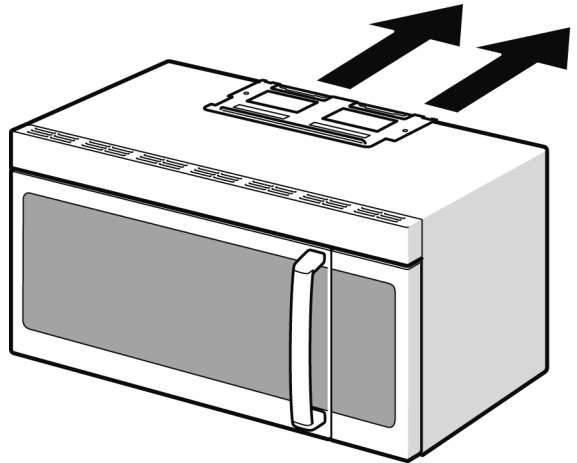
**Attaching the mounting plate
(Wall studs at both corner holes)**

1. Insert the wood screws into the mounting plate through the holes designated.
2. Place the mounting plate against the wall and make sure tabs are touching the bottom of the cabinet or the level line (see "Aligning the mounting plate").
3. Check if the plate is properly centered, make sure it is level.
4. Securely tighten all screws.

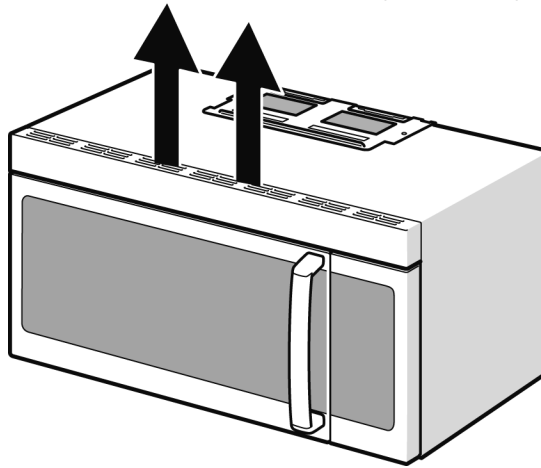
Installation types



ROOF VENTING
proceed to page 17



WALL VENTING
proceed to page 20

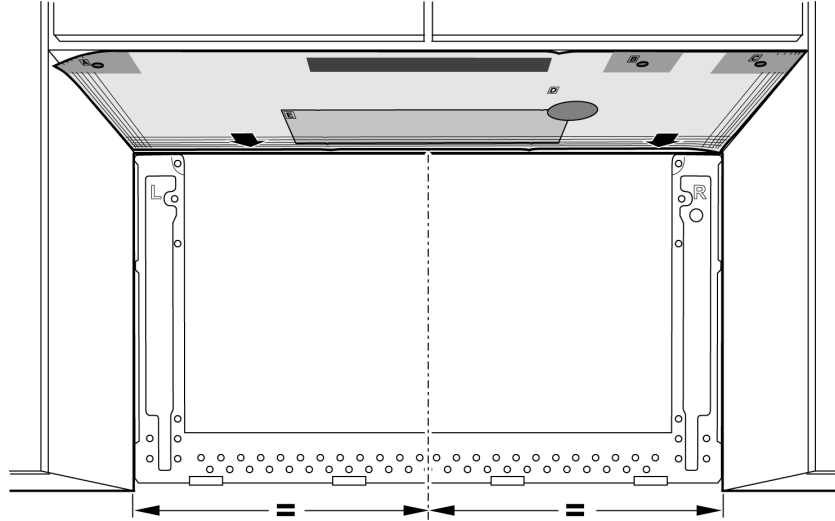


ROOM VENTING
proceed to page 25

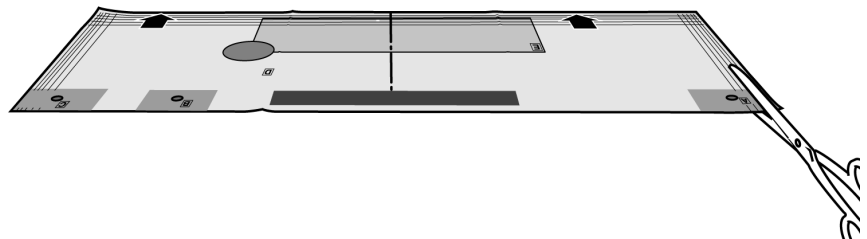
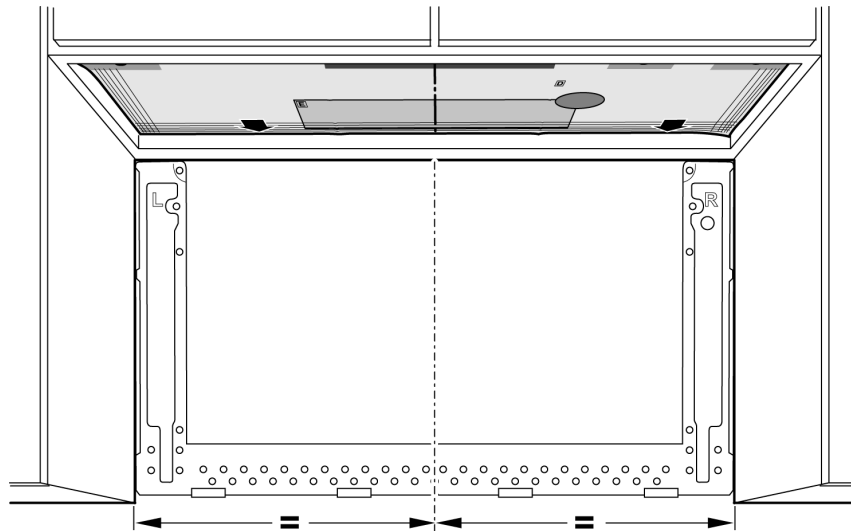
Roof venting

Prepare upper cabinet

1. Remove power to outlet.
2. Remove all contents from upper cabinet.
3. Tape the **TOP CABINET TEMPLATE** onto the bottom surface. Make sure the template centerline aligns with the vertical line on the wall. Rear wall arrows must be against rear wall.



Note: For recessed cabinet bottom, trim the template edges so that it fits inside the recessed area. The template has trim lines to use as guides.



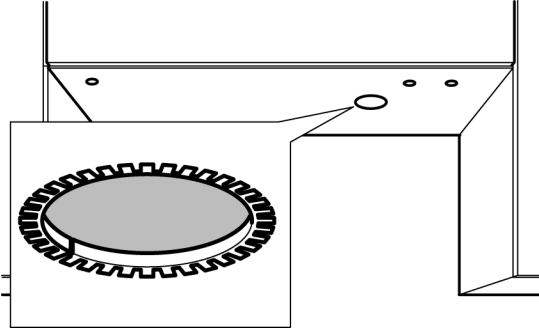
4. Drill $\frac{3}{8}$ " (9,5 mm) holes at "A", "B" and "C"



CAUTION: Wear safety goggles when drilling holes in the cabinet bottom.

5. Cut out the 2" (50,8 mm) hole at "D". This hole is for the power supply cord.

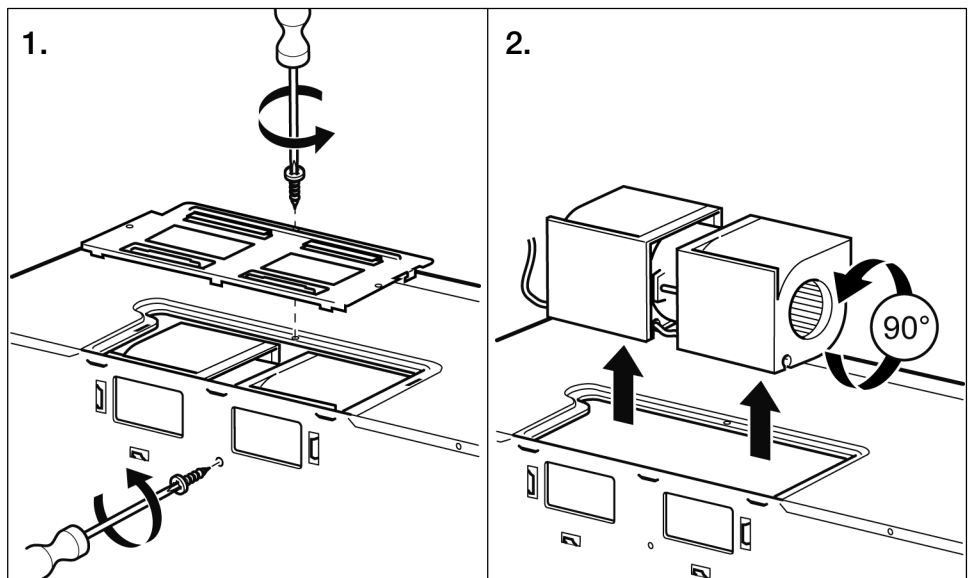
Note: If the cabinet is metal, use the nylon grommet around the opening to protect the cord.



6. Cut out the shaded area "E" using a saber or keyhole saw.

Adapting microwave blower

1. Remove and save the screws holding the blower motor and the blower plate. Lift up the blower plate and put it aside.
2. Carefully pull out the blower unit and rotate 90° so that fan blade openings are facing out the top of the microwave

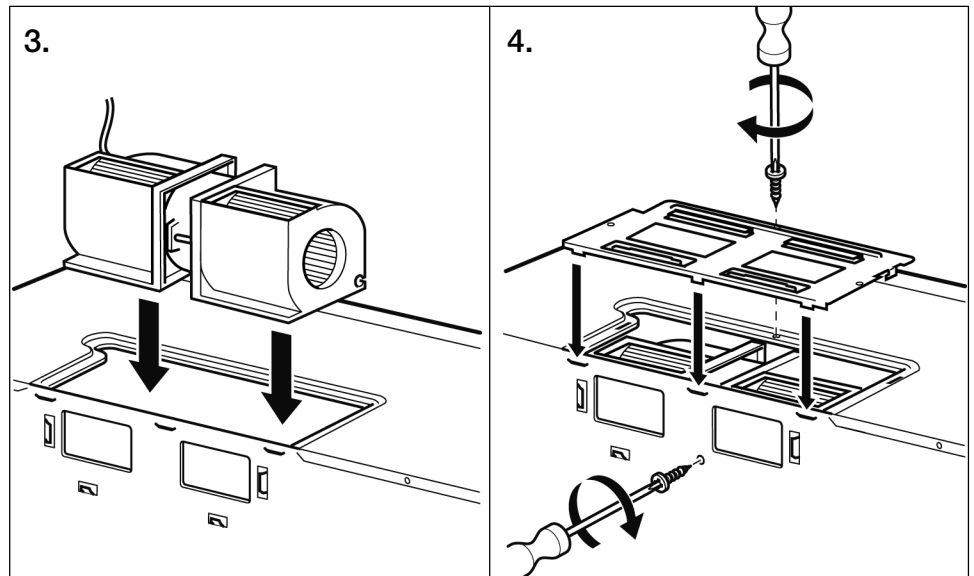


3. Place the blower unit back into the opening.



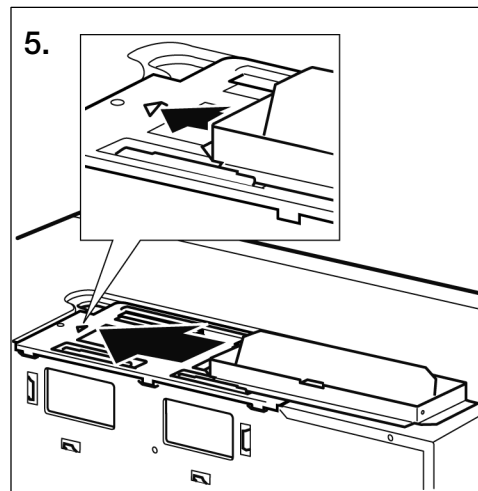
CAUTION: Do not pull or stretch the blower unit wiring. Make sure the wires are not pinched, and that they are properly secured.

4. Replace the blower plate and secure with the screws removed in step 1.



5. Attach the exhaust adapter to the top of the blower plate by sliding it into the guides. Push in securely until it is in the locking tabs.

Make sure the damper hinge swings freely.

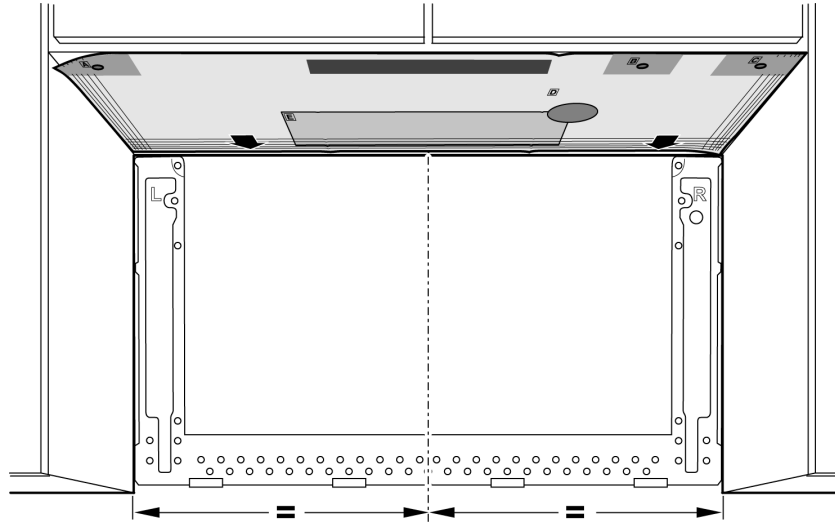


Proceed on page 27.

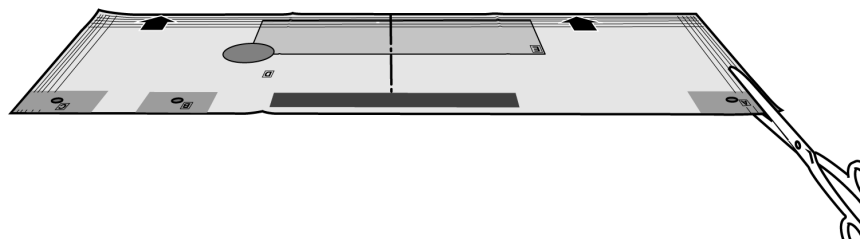
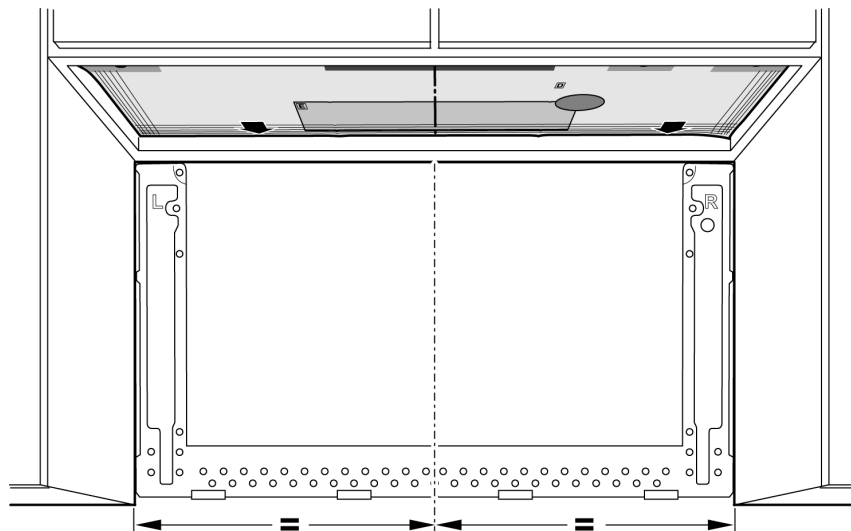
Wall venting

Prepare upper cabinet

1. Remove power to outlet.
2. Remove all contents from upper cabinet.
3. Tape the **TOP CABINET TEMPLATE** onto the bottom surface. Make sure the template centerline aligns with the vertical line on the wall. Rear wall arrows must be against rear wall.



Note: For recessed cabinet bottom, trim the template edges so that it fits inside the recessed area. The template has trim lines to use as guides.



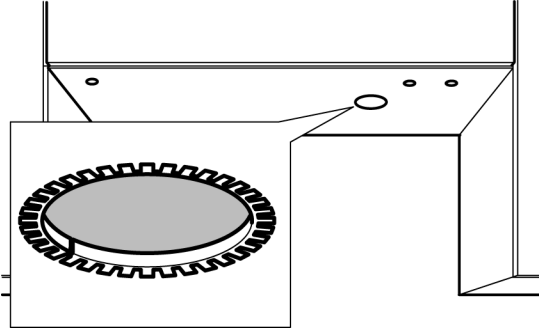
4. Drill $\frac{3}{8}$ " (9,5 mm) holes at "A", "B" and "C"



CAUTION: Wear safety goggles when drilling holes in the cabinet bottom.

5. Cut out the 2" (50,8 mm) hole at "D". This hole is for the power supply cord.

Note: If the cabinet is metal, use the nylon grommet around the opening to protect the cord.



Prepare rear wall

For wall venting installation you need to cut out an opening on the rear wall.

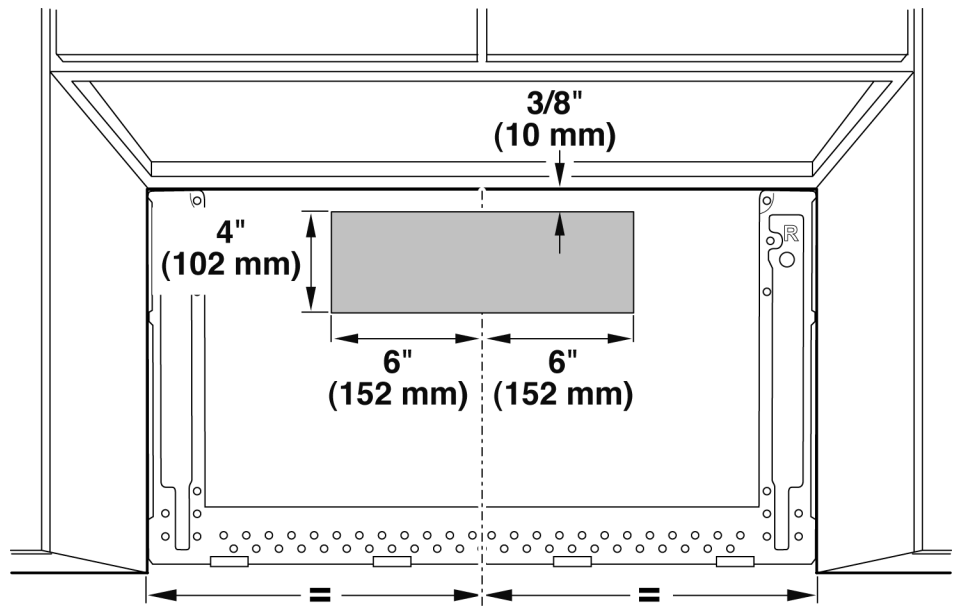


CAUTION: If exhaust adaptor is positioned outside consider recommended dimensions, otherwise grease-laden air will discharge into house structure.

1. Mark the centerline (See Attaching the mounting plate to the wall) $\frac{3}{8}$ " (10 mm) down from the top of the mounting plate.
2. Using measuring tape, measure out 6" (152 mm) on both sides of the centerline, and mark.
3. Measure down 4" (102 mm) from the mark made in Step 1, and mark.
4. Using a straight edge, draw the 2 horizontal level lines through the marks made in Steps 1 and 3.
5. Draw the 2 vertical plumb lines down from the marks made in Step 2. to complete the 12" x 4" (304 x 102 mm) rectangle. This is the venting cutout area.

The 12" x 4" (305 x 102 mm) cutout area must align with the wall damper vent (where the damper assembly will be installed) on the back of the microwave oven.

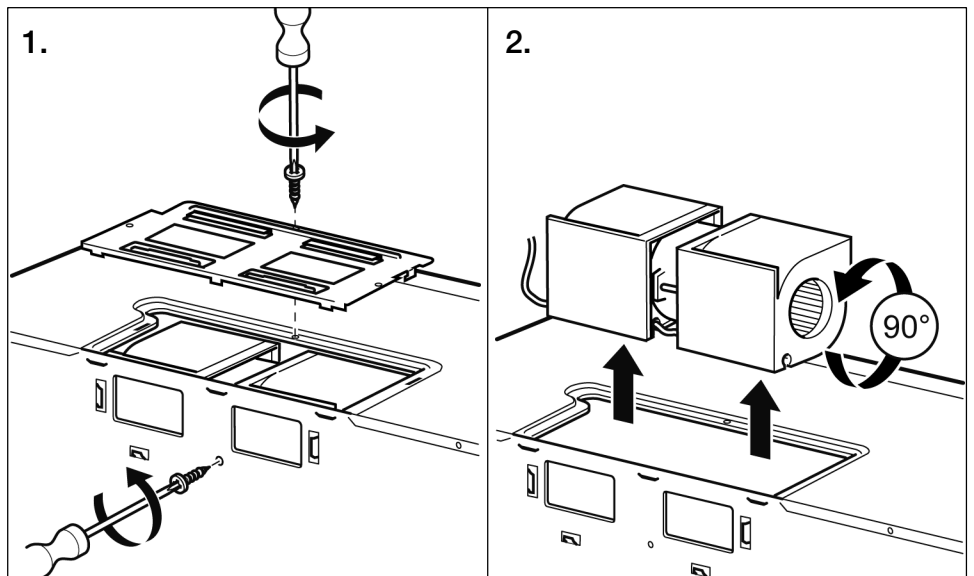
Note: Cutout must be free of any obstructions so that the vent fits properly, and the damper hinge opens fully and swings freely.



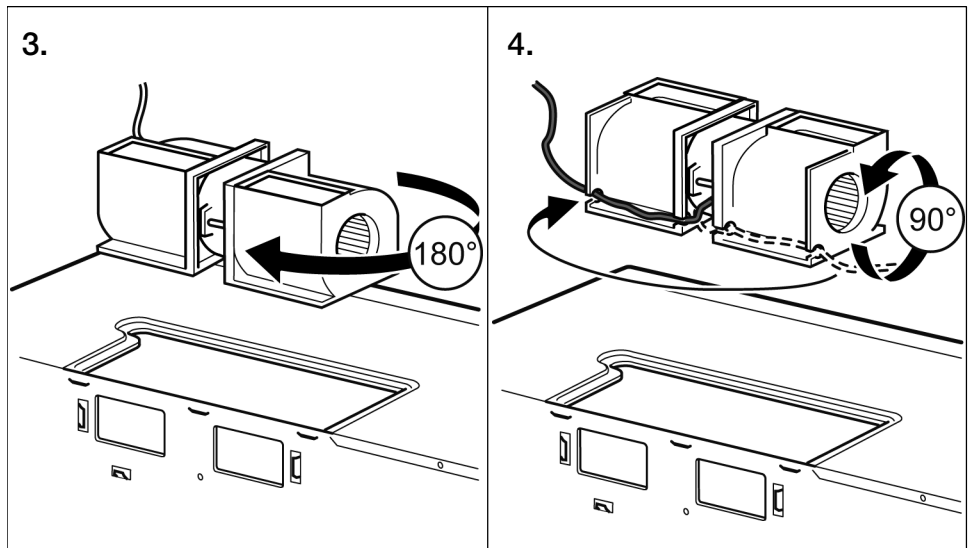
6. Using a saber or keyhole saw, cut out this area through the rear wall.

Adapting microwave blower

1. Remove and save the screws holding the blower motor and the blower plate. Lift up the blower plate and put it aside.
2. Carefully pull out the blower unit and rotate 90° so that fan blade openings are facing out the top of the microwave

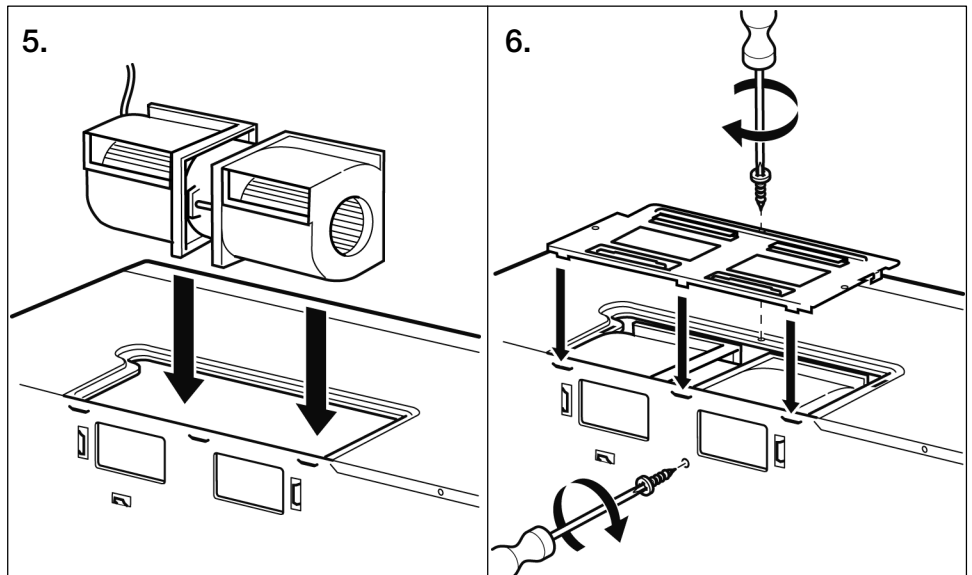


3. Rotate the blower unit counterclockwise 180°.
4. Gently remove the wires from the grooves. Reroute the wires through the grooves on other side of the blower unit. Rotate blower unit 90° so that fan blade openings are facing out the back of the microwave.



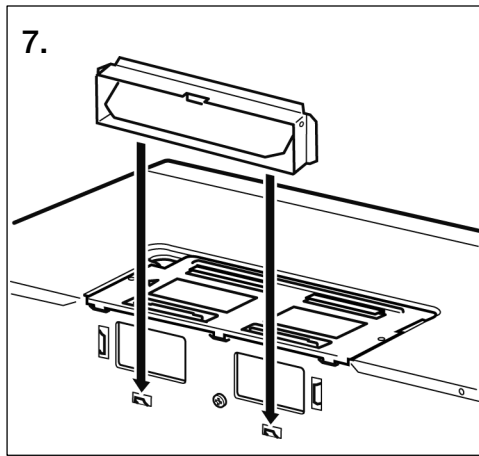
CAUTION: Do not pull or stretch the blower unit wiring. Make sure the wires are not pinched, and that they are properly secured.

5. Place the blower unit back into the opening.
6. Replace the blower plate and secure with the screws removed in Step 1.



7. Attach the exhaust adapter to the rear of the oven by sliding it into the guides. Push in securely until it is in the lower locking tabs.

Make sure the damper hinge swings freely.

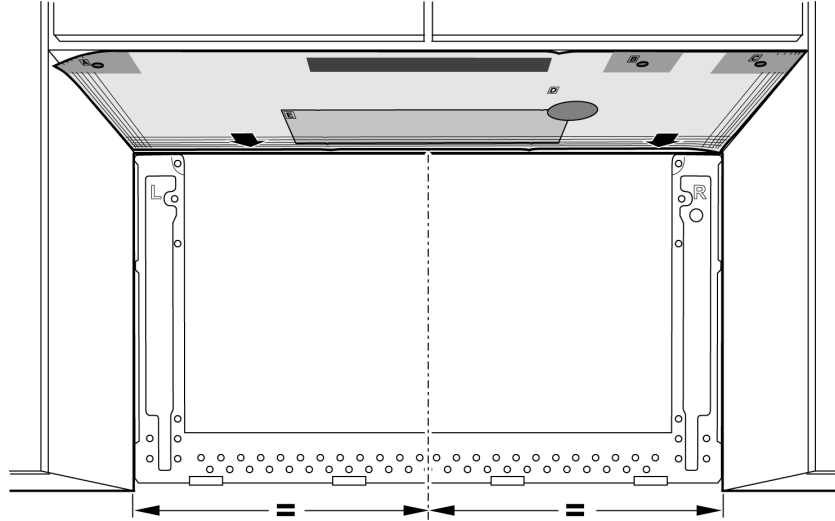


Proceed on page 27.

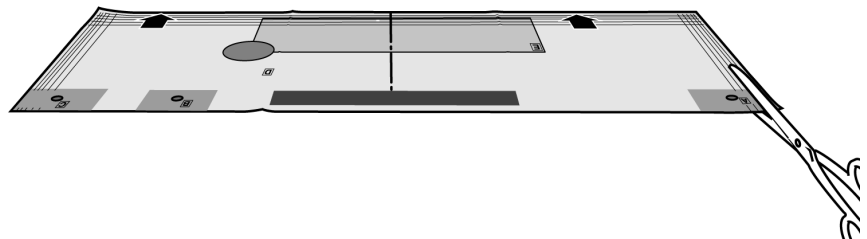
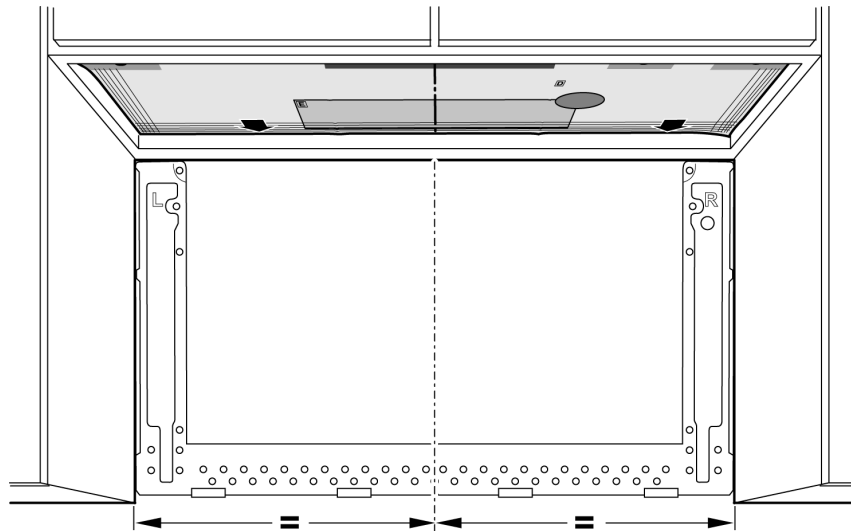
Room venting

Prepare upper cabinet

1. Remove power to outlet.
2. Remove all contents from upper cabinet.
3. Tape the **TOP CABINET TEMPLATE** onto the bottom surface. Make sure the template centerline aligns with the vertical line on the wall. Rear wall arrows must be against rear wall.



Note: For recessed cabinet bottom, trim the template edges so that it fits inside the recessed area. The template has trim lines to use as guides.



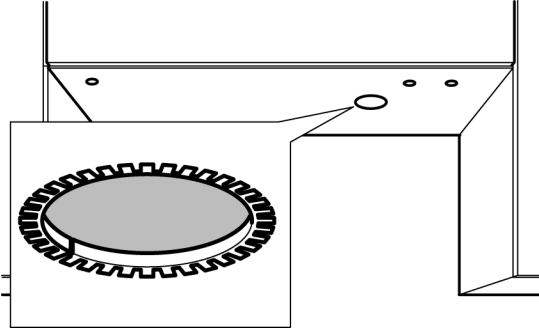
4. Drill $\frac{3}{8}$ " (9,5 mm) holes at "A", "B" and "C"



CAUTION: Wear safety goggles when drilling holes in the cabinet bottom.

5. Cut out the 2" (50,8 mm) hole at "D". This hole is for the power supply cord.

Note: If the cabinet is metal, use the nylon grommet around the opening to protect the cord.



Adapting microwave blower

This microwave is shipped assembled for **Room Venting Installation**. The blower unit is already in place and must not to be adapted.

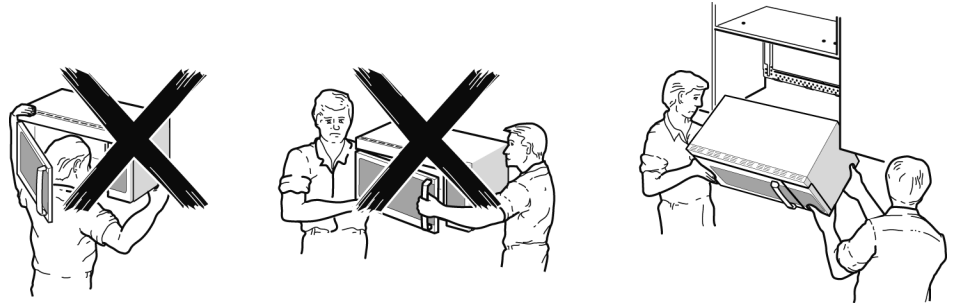
Proceed on page 27.

Mounting the microwave oven

Note: If the bottom of the upper cabinet is recessed or has front overhang, you will need to prepare 2" x 2" (51 mm x 51 mm – depth equivalent to cabinet recess or overhang) filler blocks to provide additional support for the bolts:

- mark the center of each filler block and drill a $\frac{3}{8}$ (9,5 mm) diameter hole
- align filler blocks over the three openings on top of the microwave oven and attach with masking tape (see Figure 1)

Note: Use at least two people to install the microwave oven. Do not grip or use handle during the installation.



Note: When mounting the microwave oven, thread power cord through hole in bottom of top cabinet. Keep the cord tight and do not pinch it, especially when mounting flush to bottom of cabinet. Do not pull the cord to lift the oven.

1. Lift the microwave, tilt it forward, and hook slots at back bottom edge onto four lower tabs of the mounting plate.
2. Rotate the front of the oven up against cabinet bottom.

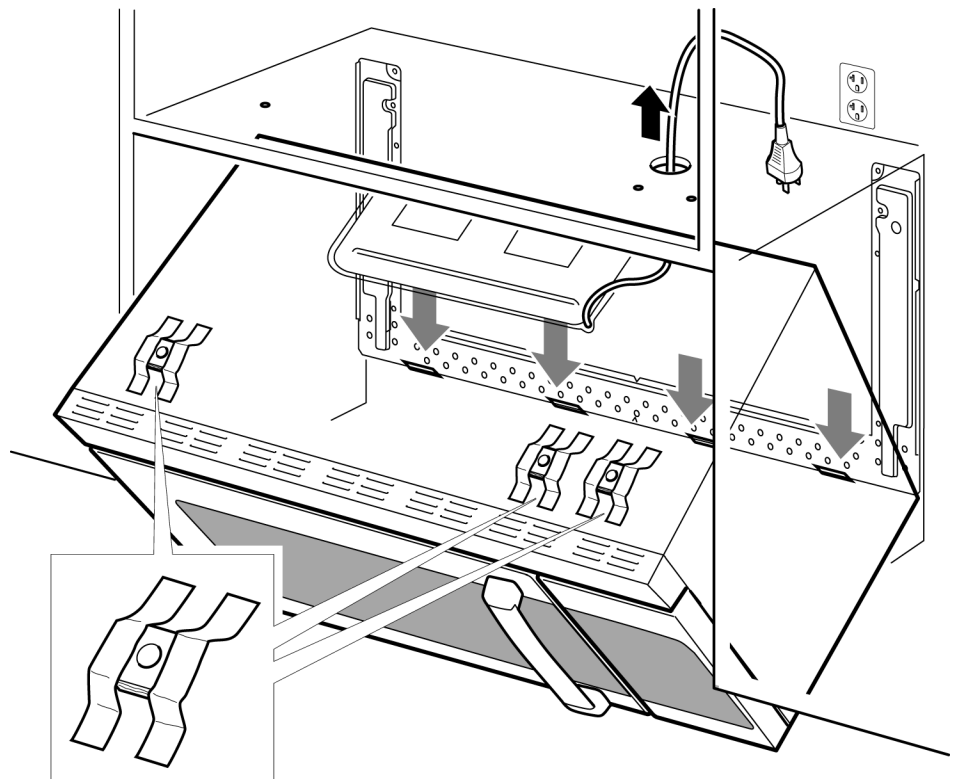
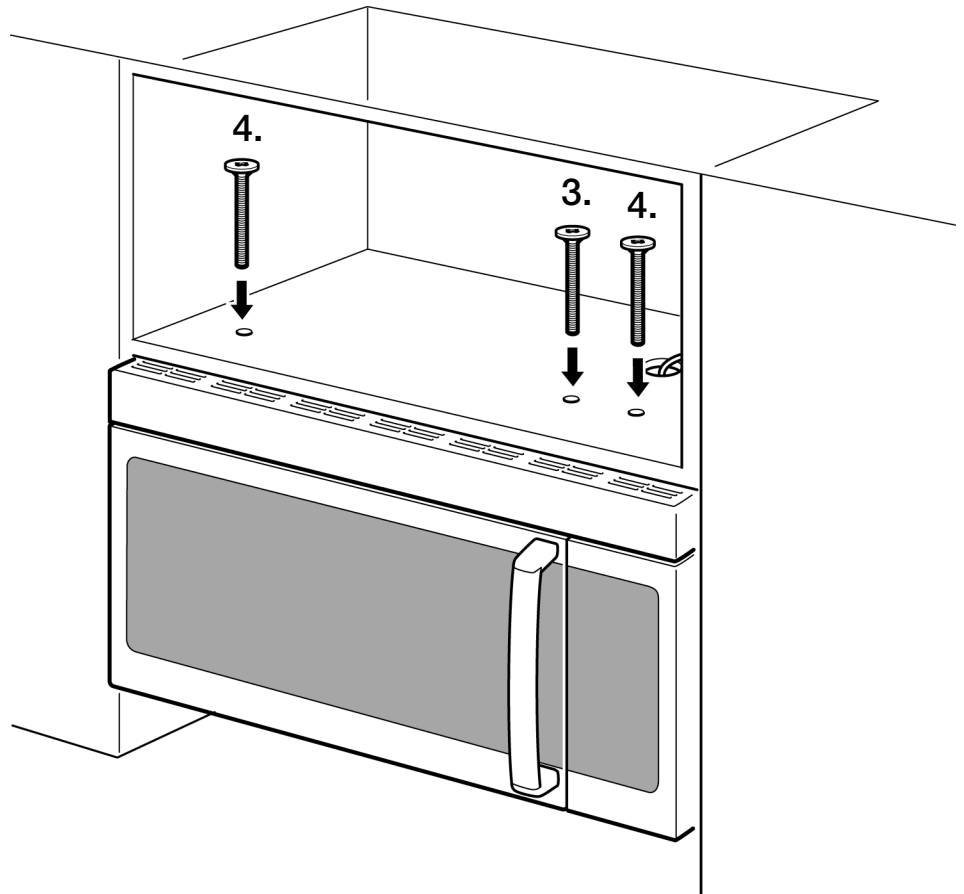


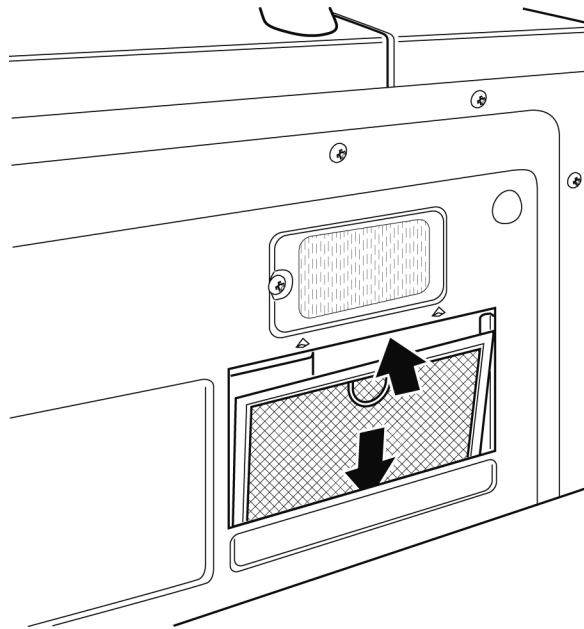
Figure 1

3. Insert a self-aligning screw through top center cabinet hole. Temporarily secure the oven by turning the screw at least **two full turns** after the threads have engaged.

4. Insert the two remaining self-aligning screws through outer top cabinet holes. Turn **two full turns** on each screw.



5. Tighten center screw completely.
 6. Tighten the outer two screws completely to the top of the microwave oven.
- Note:** While tightening screws, hold the microwave oven in place against the wall and the top cabinet
7. Install grease filters by sliding them into the side slots, then pushing up and toward oven to lock.



Hood exhaust

When venting exhaust to the outside, hood exhaust ducts will be required. Read the following carefully.

Note: It is important that venting be installed using the most direct route and with as few elbows as possible. This ensures clear venting of exhaust and helps prevent blockages. Also, make sure dampers swing freely and nothing is blocking the ducts.

Exhaust connection



The hood exhaust has been designed to mate with a standard 3¼" x 10" (82 x 254 mm) rectangular duct. If a round duct is required, a rectangular-to-round transition adaptor must be used. **Do not use less than a 6" (152 mm) diameter duct.**



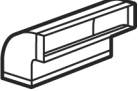
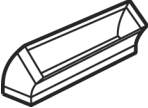
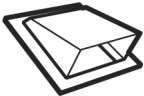

Maximum Duct Length

For satisfactory air movement, the total duct length of 3¼" x 10" (82 x 254 mm) rectangular or 6" (152 mm) diameter round **should not exceed 120 equivalent feet (36,5 m).**

Elbows, transitions, wall and roof caps etc.

cause additional resistance to airflow and are equivalent to a section of straight duct which is longer than their actual physical size. When calculating the total duct length, add the equivalent lengths of all transitions and adaptors plus the length of all straight duct sections. The chart below shows you how to calculate total equivalent ductwork length using the approximate feet of equivalent length of some typical ducts:

Duct Pieces	Equivalent Length	x	Number used	=	Equivalent Length
 Rectangular-to-Round Transition Adaptor*	5 ft (1,5 m)	x	()	=	ft or m
 Wall Cap	40 ft (12,2 m)	x	()	=	ft or m

Duct Pieces		Equivalent Length	x	Number used	=	Equivalent Length
	90° Elbow	10 ft (3 m)	x	()	=	ft or m
	45° Elbow	5 ft (1,5 m)	x	()	=	ft or m
	90° Elbow	25 ft (7,6 m)	x	()	=	ft or m
	45° Elbow	5 ft (1,5 m)	x	()	=	ft or m
	Roof Cap	24 ft (7,3 m)	x	()	=	ft or m
	Straight Duct 6" (152 mm) Round or 3¼" x 10" (82 x 254 mm) Rectangular	1 ft (0,3 m)	x	()	=	ft or m
Total Ductwork					=	ft or m

* If a rectangular-to-round transition adapter is used, first make sure the damper hinge of the microwave swings freely. If necessary, cut the damper to fit, using the tin snips, in order to allow free movement.

Equivalent lengths of duct pieces are based on actual tests and reflect requirements for good venting performance with any vent hood.

Service

Contact our Service department if your appliance needs repair. Our central Customer Service Center (see below) will also be happy to supply you with details on a center close to you.

When you contact our customer service, please have the E number and the FD number for your appliance available.

You can find the identification plate with these numbers on the inside of the appliance.

Questions? Please contact us. We look forward to hearing from you!

1-800-944-2904
www.boschappliances.com
 5551 McFadden Ave.
 Huntington Beach, CA 92649

Table de Matières

Sécurité	32
Instructions de sécurité importantes	32
Avant de commencer	35
Exigences relatives à l'emplacement	36
Procédure d'installation	37
Retrait de la plaque de montage	37
Détection des montants de cloison	38
Configurations possibles des montants de cloison	38
Fixation de la plaque de montage au mur	40
Types d'installation	44
Ventilation par le toit	45
Ventilation par le mur	48
Ventilation dans la pièce	53
Montage du four à micro-ondes	55
Évacuation par hotte	57
Dépannage	59

Sécurité



Instructions de sécurité importantes

LISEZ ET GARDEZ CES INSTRUCTIONS

Important

CONSERVER CES INSTRUCTIONS POUR L'INSPECTEUR EN ÉLECTRICITÉ LOCAL.

LAISSER CES INSTRUCTIONS AVEC L'APPAREIL APRÈS AVOIR TERMINÉ L'INSTALLATION.



AVERTISSEMENT: Si les informations contenues dans ce manuel ne sont pas suivies à la lettre, un incendie ou un choc électrique peuvent se produire et entraîner des dommages matériels ou des préjudices personnels.

Examen du four

Déballer le four, enlever le ruban adhésif et le matériau de conditionnement, et examiner le four pour vous assurer qu'il n'a subi aucun dommage tel que des bosses, des verrous brisés ou des fissures dans la porte. Prévenir immédiatement le détaillant si l'appareil est endommagé. Ne pas installer un four endommagé.

Détruire l'emballage après avoir déballé l'appareil. Ne jamais laisser les enfants jouer avec les matériaux de conditionnement.

Manutention sécuritaire de l'appareil

Cet appareil est lourd et nécessite au moins deux personnes ou l'équipement approprié pour le déplacer.

Certaines surfaces peuvent avoir des bords tranchants. Faire attention en étendant le bras derrière l'appareil ou en dessous.

Utilisation prévue



ATTENTION: Destiné à la ventilation générale uniquement. Ne pas utiliser pour évacuer des matières dangereuses ou explosives ou des vapeurs.

Consignes de mise à la terre

Cet appareil doit être correctement mis à la terre. Dans l'hypothèse d'un court-circuit électrique, la mise à la terre réduit le risque de choc électrique en assurant un fil de fuite pour le courant électrique. Ce four est équipé d'un cordon possédant un fil de terre avec fiche de mise à la terre. La fiche doit être branchée dans une prise de courant correctement installée et mise à la terre.



AVERTISSEMENT: L'usage inapproprié de la mise à la terre peut provoquer un risque de choc électrique.

Consultez un électricien ou un service de dépannage compétent si vous ne comprenez pas parfaitement les consignes de mise à la terre ou en cas de doutes quant à la mise à la terre correcte du four.



Instructions de sécurité importantes

LISEZ ET GARDEZ CES INSTRUCTIONS

Ne pas utiliser de rallonge. Si le cordon d'alimentation du produit est trop court, faites installer une prise de courant à trois fentes par un électricien compétent. Ce four doit être branché sur un circuit séparé de 60 Hertz et présentant les caractéristiques électriques indiquées dans le tableau de spécifications. Si le four est branché sur le même circuit qu'un autre équipement, il pourrait en résulter une augmentation des durées de cuisson avec risque que les fusibles ne grillent.

Le four à micro-ondes fonctionne sur un courant domestique standard de 110-120 volts.

Alimentation

- une prise mise à la terre à trois broches
- 120 volts, 60 Hz, CA uniquement
- alimentation en électricité de 15 ampères avec fusible ou disjoncteur
- 1,6 kilowatt

Ce produit doit être branché à un circuit d'alimentation de la tension et de la fréquence appropriés. La dimension des fils doit être conforme aux spécifications du Code National de l'Électricité ou au code local en vigueur pour ce régime nominal. Le cordon d'alimentation et la prise doivent être raccordés à une prise mise à la terre séparée de 15 à 20 ampères avec circuit de dérivation. Le coffret de prise de courant doit être situé dans l'armoire, au-dessus du four à micro-ondes. Le coffret de prise de courant et le circuit d'alimentation doivent être installés par un électricien qualifié et être conformes au Code National de l'Électricité ou au code local en vigueur.

La tension utilisée doit être identique à celle mentionnée sur ce four à micro-ondes. Il est dangereux d'utiliser une haute tension et cela peut occasionner un incendie ou des dommages au four. Une tension plus faible ralentit la cuisson. Le détaillant n'est pas responsable pour quelconques dommages résultant d'un usage du four avec une tension autre que celle spécifiée.

Exigences relatives à l'emplacement

Inspecter la cavité à l'intérieur de laquelle le four à micro-ondes doit être installé. L'emplacement doit comporter :

- Dimensions d'installation minimum (Voir l'illustration **Dimensions d'installation**)
- Au moins un montant de cloison en bois de 2 po x 4 po (50,8 x 101,6 mm) et au moins une cloison sèche ou un parement de plâtre de 3/8 po (9,5 mm) d'épaisseur dans la cavité du placard.
- Capacité de support pour 150 livres (68 kg) - ceci inclut le four à micro-ondes et les articles placés à l'intérieur du four et le placard supérieur.
- Prise de courant électrique reliée à la terre à l'intérieur du placard supérieur. (Voir la section **Alimentation**).



Instructions de sécurité importantes

LISEZ ET GARDEZ CES INSTRUCTIONS

Remarques :

- Si le four à micro-ondes est installé près d'une paroi latérale gauche, s'assurer qu'il y a un dégagement d'au moins 7 po (178 mm) entre la paroi et le four à micro-ondes de manière à ce que l'on puisse ouvrir la porte entièrement.
- Certains placards et matériaux de construction ne sont pas conçus pour supporter la chaleur produite par le four à micro-ondes lors de son fonctionnement. Vérifiez auprès de votre entrepreneur ou fournisseur de placard pour vous assurer que les matériaux utilisés ne se décolorent ou décollent pas, ou qu'ils ne subiront aucun autre dommage.

Vérification de la continuité de la mise à la terre

L'installateur doit vérifier la continuité de la mise à la terre au niveau du coffret de prise de courant avant de commencer l'installation afin de s'assurer que celui-ci est correctement mis à la terre. Si tel n'est pas le cas, ou si le coffret de prise de courant ne respecte pas les exigences électriques indiquées sous **Alimentation**, vous devez contacter un électricien qualifié pour mettre la prise aux normes.

Sécurité en matière d'électricité



ATTENTION: Pour votre sécurité, retirez les fusibles ou mettez le disjoncteur à l'arrêt avant de commencer l'installation pour éviter tout choc électrique grave, voire mortel. Verrouiller le disjoncteur pour éviter toute mise en circuit accidentelle.

S'assurer que l'appareil est adéquatement installé et mis à la terre par un technicien qualifié.

Installateur : Indiquer au propriétaire l'emplacement du disjoncteur ou du fusible. Identifier sa position pour pouvoir le retrouver facilement.

Ne coupez ou ne retirez en aucun cas la broche de terre. Elle doit être branchée sur une prise de mise à la terre correspondante, ce afin d'éviter les chocs électriques. En cas de doutes sur la mise à la terre correcte de la prise murale, le client devrait la faire vérifier par un électricien qualifié. Ne pas utiliser de rallonge.

Sécurité relative à l'équipement connexe



ATTENTION: Pour votre sécurité, ce produit ne doit pas être installé dans certaines configurations d'armoires comme un îlot ou une péninsule de cuisine. Il doit être monté **à la fois** sur une armoire supérieure **et** un mur.



AVERTISSEMENT: Afin de diminuer les risques d'incendie, n'utilisez que des conduits de métal.

Sécurité en matière d'entretien et de réparation



AVERTISSEMENT: Ne pas réparer ni remplacer une pièce quelconque de l'appareil à moins que ce ne soit expressément recommandé dans les manuels. Ne jamais modifier ni altérer la configuration de l'appareil. Toute installation, réparation ou maintenance inadéquate peut entraîner des blessures ou des dommages matériels. Se reporter à ce manuel pour obtenir des conseils sur la façon de procéder. Toute autre réparation doit être confiée à un centre de service agréé par l'usine.

Avant de commencer

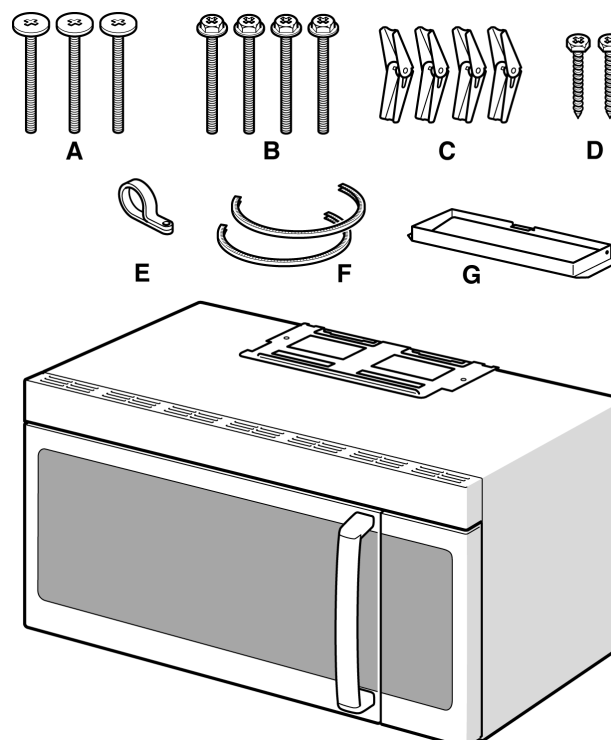
Outils et pièces nécessaires

- Tournevis Phillips N° 1
- Crayon
- Règle ou mètre-ruban et règle droite
- Perceuse avec mèches de $\frac{3}{16}$ po (5 mm), $\frac{1}{2}$ po (13 mm) et $\frac{5}{8}$ po (16 mm)
- Gants
- Scie (scie sauteuse, scie cylindrique ou scie à guichet)
- Détecteur de montants ou marteau
- Lunettes de sécurité
- Niveau
- Ruban à conduits et ruban adhésif

facultatif

- Équerre de menuisier
- Cisailles de ferblantier (pour découper le registre)
- Ciseaux (pour découper le gabarit de l'armoire)
- Cales ou morceaux de bois de récupération (utilisés dans le cas d'installations d'armoires à fond encastré)

Pièces incluses



Vous trouverez la quincaillerie d'installation dans un paquet livré avec l'appareil. Vérifiez que vous avez toutes les pièces :

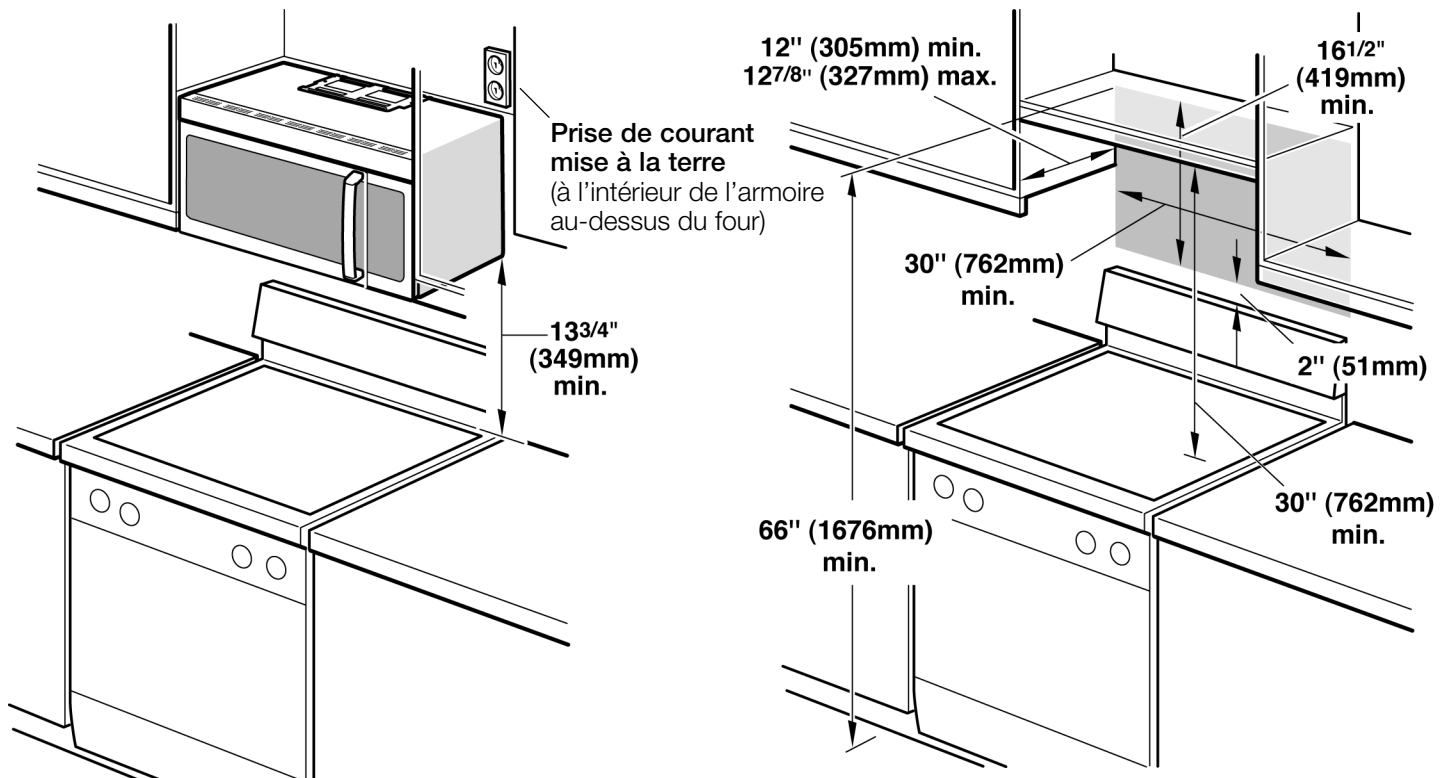
- **A** Vis mécanique autocentrante - ¼ po - 28 x 3¼ po (6 - 0,9 x 83 mm)
- **B** Boulons à ailettes - 3/16 po x 3 po (5 x 76 mm)
- **C** Ailettes
- **D** Vis à bois - ¼ po x 2 po (6 x 51 mm)
- **E** Bride de cordon d'alimentation
- **F** Passe-câble en nylon (pour armoires métalliques)
- **G** Adaptateur d'évacuation

Articles non illustrés :

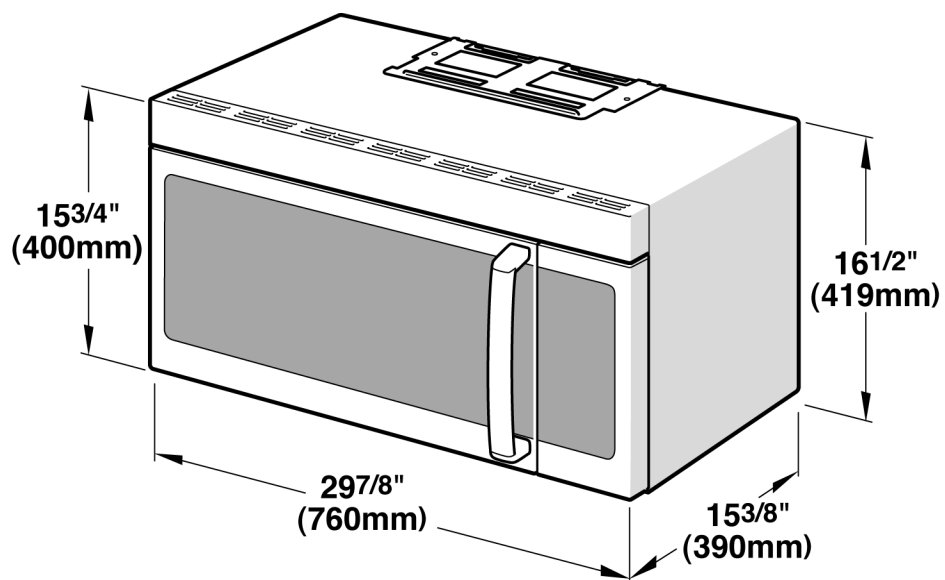
- Gabarit de l'armoire supérieure
- Plaque de montage (connectée à l'arrière du four à micro-ondes)
- Filtres à graisses
- Filtre à charbon (connecté au four à micro-ondes)

Exigences relatives à l'emplacement

Dimensions de l'installation



Dimensions du produit



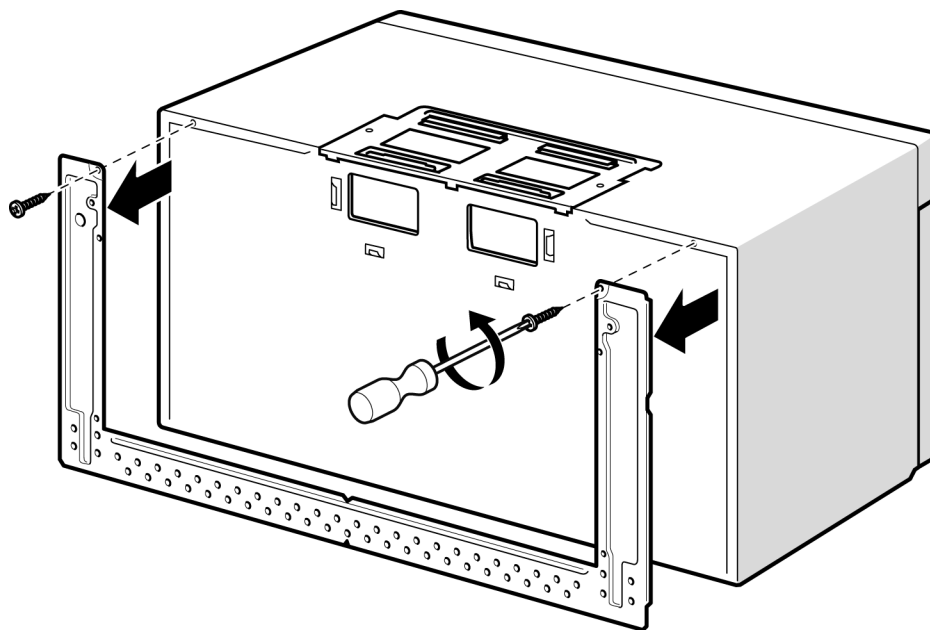
Procédure d'installation

Retrait de la plaque de montage

Remarque: Pour éviter tout endommagement du plan de travail ou du fond de l'appareil, veuillez couvrir le plan de travail.

1. Retirez tout contenu resté à l'intérieur de la cavité du four à micro-ondes.
2. Retirez les vis de la plaque de montage.

Cette plaque servira de gabarit du mur arrière et pour le montage.



Détection des montants de cloison

3. Réinstallez les vis dans les trous correspondants.

Remarque: Pour éviter d'endommager le four à micro-ondes, ne pas saisir ou utiliser la porte ou sa poignée durant les manipulations.

Remarque: Le four à micro-ondes doit être fixé au moins à l'un des montants de cloison. S'il n'y a pas de montant de cloison dans l'ouverture de l'armoire, n'installez pas le four à micro-ondes.

1. Repérez les bords des montants de cloison dans l'ouverture de l'armoire à l'aide des outils suivants :

- un détecteur de montants ou
- un marteau (en tapant légèrement tout le long de la surface de montage jusqu'à ce que vous entendiez un son sourd).

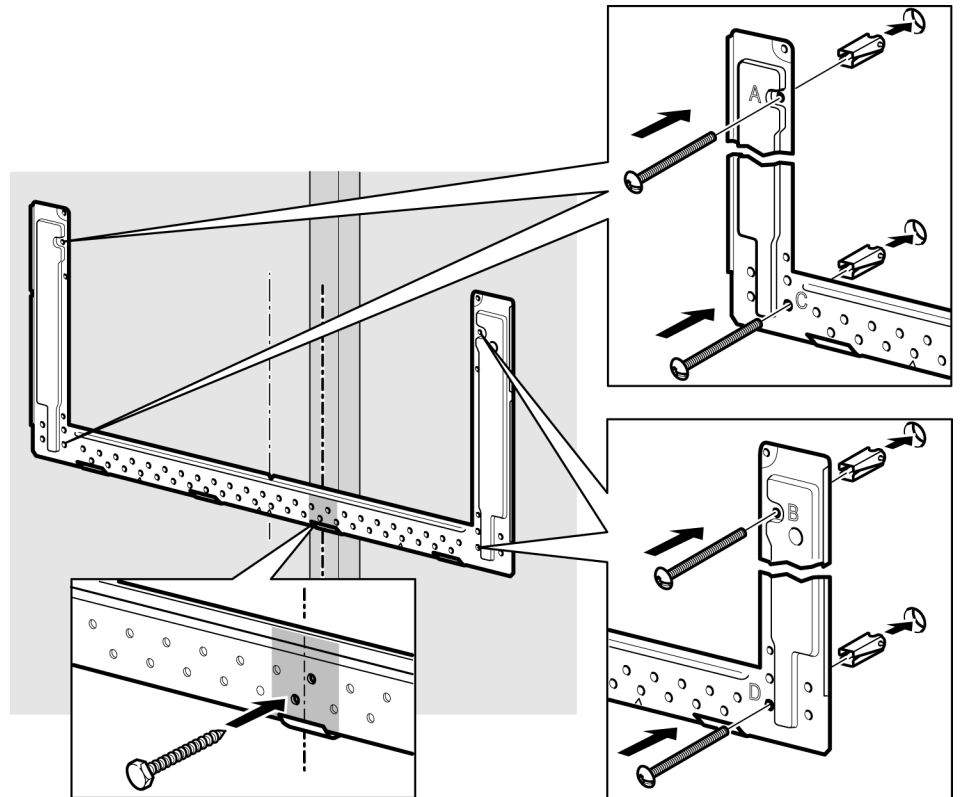
2. Tracez un repère à mi-chemin entre les bords et tracez une ligne vers le bas partant du centre des montants (voir les configurations possibles des montants de cloison).

Configurations possibles des montants de cloison

Ces illustrations donnent des exemples de configurations d'installation préférentielles de la plaque de montage.

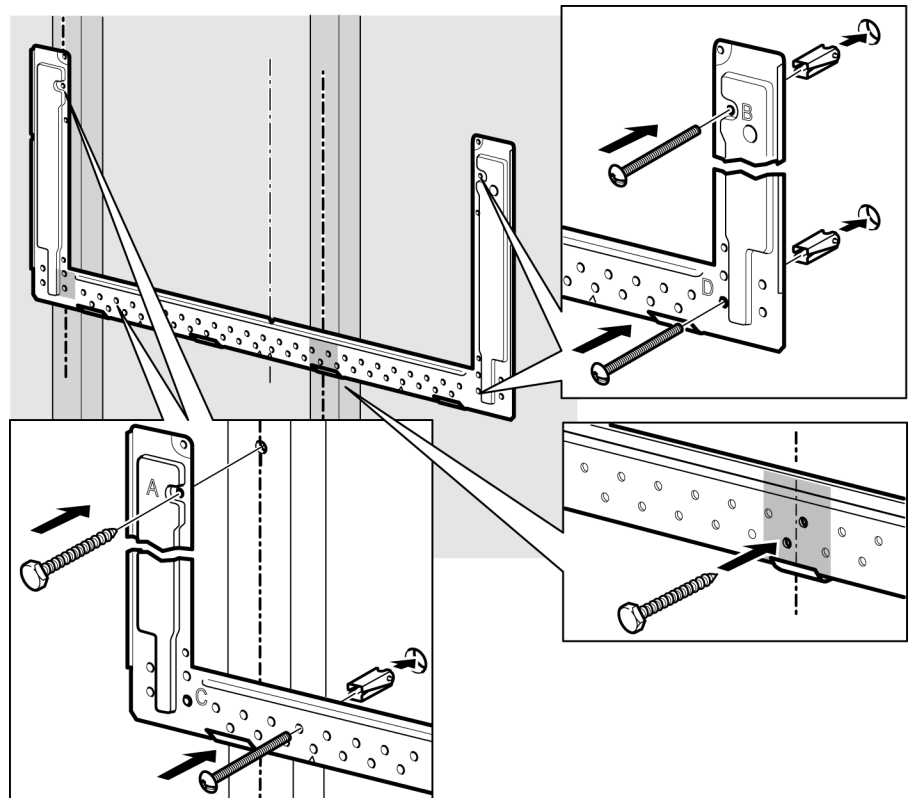
Remarque: Le perçage des trous doit être réalisé avec soins. Des fils électriques peuvent se dissimuler derrière le revêtement de la cloison et tout contact avec ces fils peut entraîner un choc électrique.

Aucun montant de cloison au niveau des trous d'angle

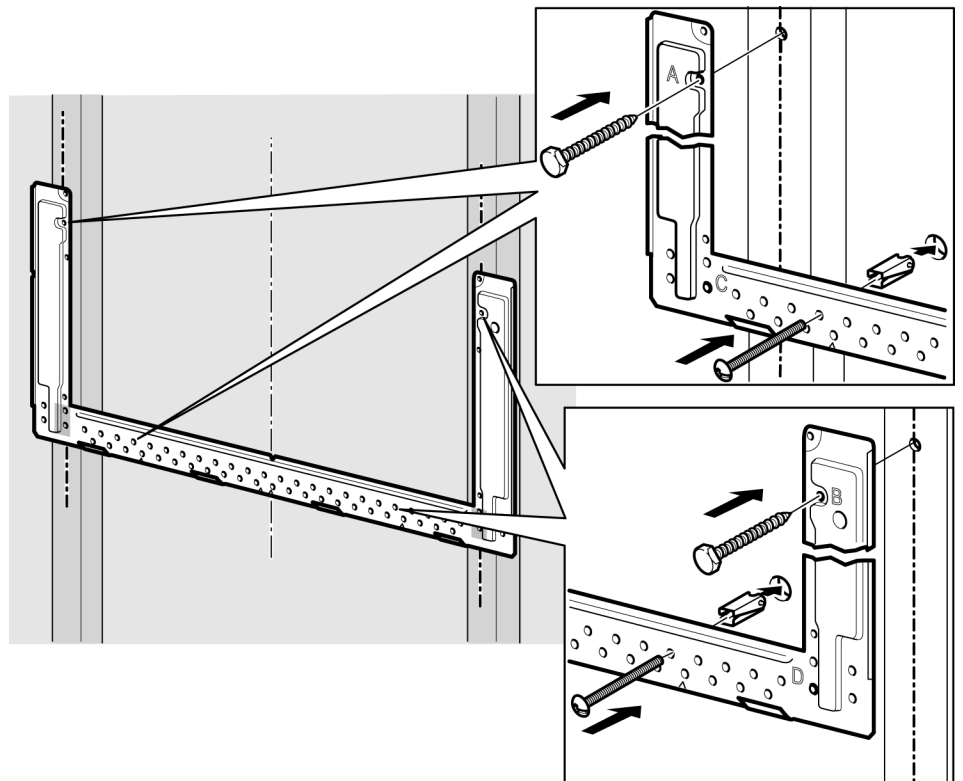


Remarque: Si le montant de cloison se trouve en deçà de 6¼ po (159 mm) de l'axe central vertical, seules les installations de ventilation dans la pièce (recirculation) ou de ventilation par le toit peuvent être réalisées.

Montant de cloison au niveau d'un trou d'angle



Montants de cloison au niveau des deux trous d'angle



Fixation de la plaque de montage au mur

Alignement de la plaque de montage



ATTENTION: Portez des gants pour ne pas vous couper les doigts sur les arêtes vives.

Remarque: Assurez-vous que le fond de l'armoire est de niveau.

1. Tracez une ligne verticale sur le mur au centre de l'espace de l'armoire.
2. Utilisez la plaque de montage comme **gabarit** et placez-la sur le mur, en veillant à ce que les pattes soient contre le fond de l'armoire (Figure 1) ou la ligne de niveau (Figure 2).
3. Alignez l'encoche et l'axe central de la plaque de montage avec l'axe central du mur.
4. Tout en tenant la plaque de montage, tracez des cercles sur le mur au niveau des trous **A**, **B**, **C** et **D**.

Remarque: Si aucun des trous **A**, **B**, **C** ou **D** ne se trouve sur un montant, trouvez un montant quelque part dans la partie inférieure de la plaque de montage et tracez un cinquième trou que vous alignerez avec le montant.

Il est important de fixer solidement dans un montant au moins une vis à bois pour que le poids du four à micro-ondes soit correctement supporté.

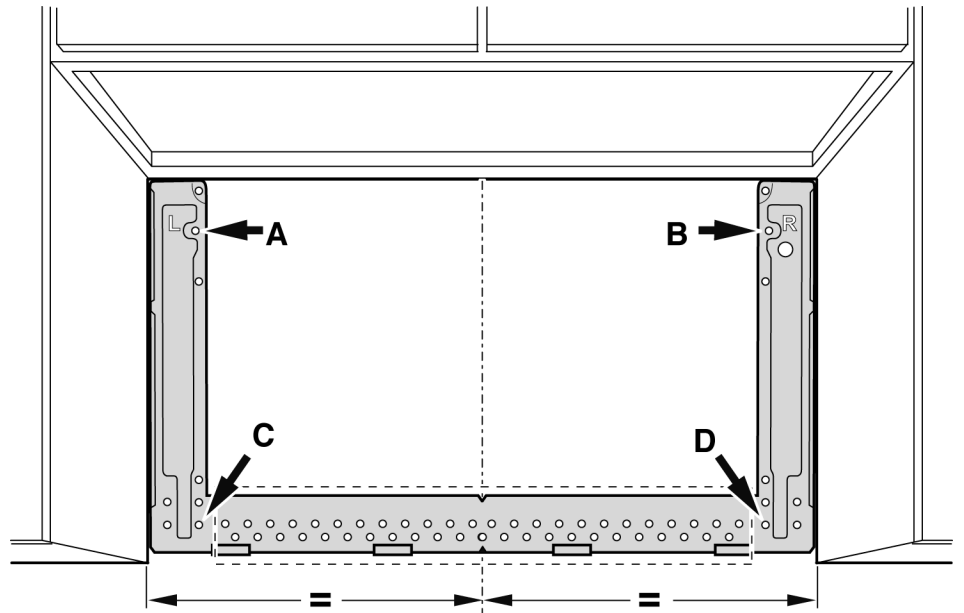


Figure 1 - Armoire à fond plat ou encastré avec encadrement

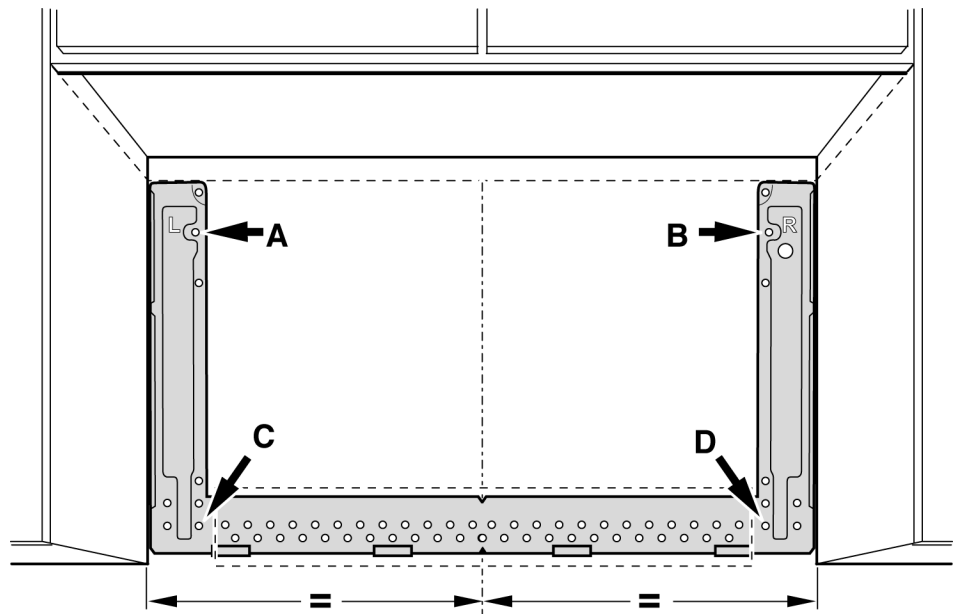


Figure 2 - Armoire à fond encastré avec surplomb avant

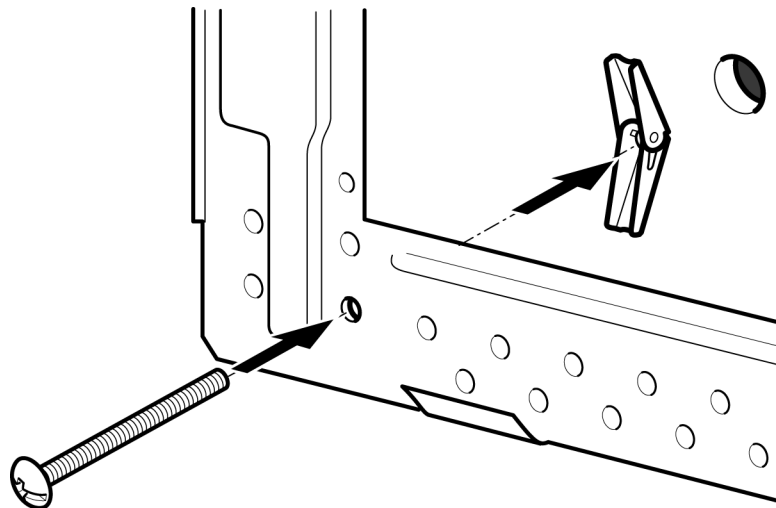
5. Mettez la plaque de montage de côté

6. Percez des trous dans les cercles :

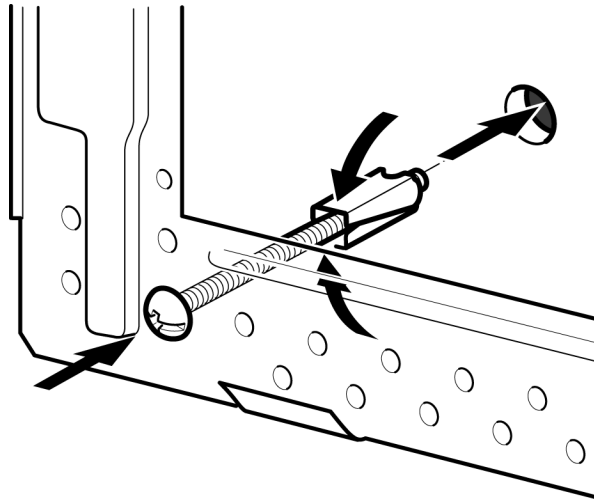
- trous de 3/16 po (5 mm) pour les vis à bois (montant)
- trous de 5/8 po (16 mm) pour les boulons à ailettes (pas de montant)

**Fixation de la plaque de montage
(pas de montant au niveau des trous d'angle)**

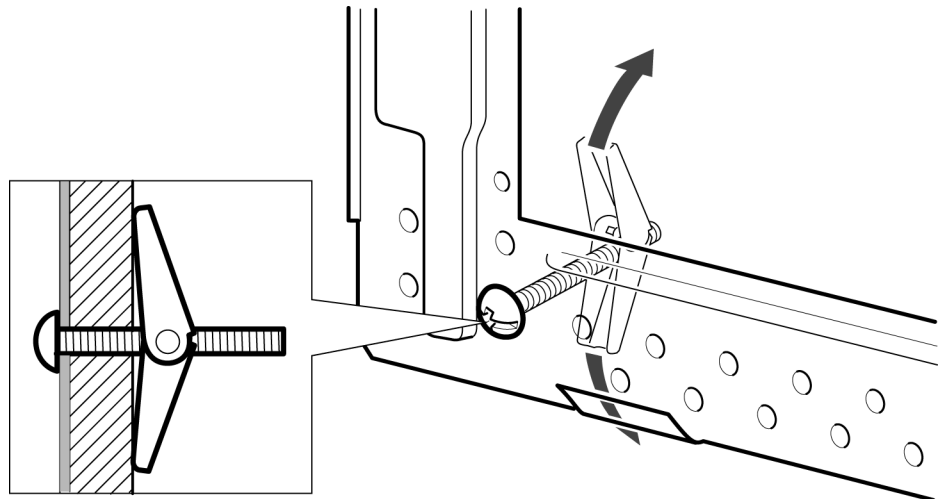
1. Insérez les boulons dans les trous de la plaque de montage prévus.



2. Vissez les ailettes sur chaque boulon depuis l'arrière de la plaque de montage. Laissez suffisamment d'espace afin que les ailettes puissent s'encaster dans le mur et s'ouvrir.



3. Placez la plaque de montage contre le mure et assurez-vous que les pattes sont contre le fond de l'armoire ou la ligne de niveau (voir « Alignement de la plaque de montage »).
4. Enfoncez les boulons dans la cloison sèche et serrez-les à la main en s'assurant que les ailettes se sont bien ouvertes contre la cloison sèche.



5. Vérifiez que la plaque est correctement centrée et assurez-vous qu'elle est de niveau.
6. Serrez fermement toutes les vis, y compris la cinquième vis à bois dans la partie inférieure de la plaque de montage.

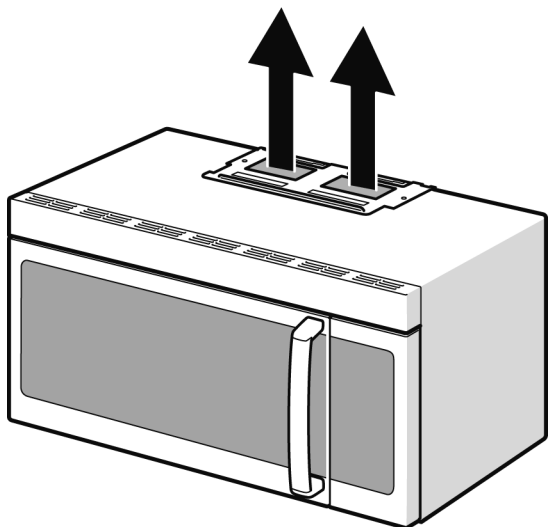
**Fixation de la plaque de montage
(montant au niveau d'un trou d'angle)**

1. Insérez les boulons et les vis à bois dans les trous de la plaque de montage prévus.
2. Vissez les ailettes sur chaque boulon depuis l'arrière de la plaque de montage. Laissez suffisamment d'espace afin que les ailettes puissent s'encastrent dans le mur et s'ouvrir.
3. Placez la plaque de montage contre le mure et assurez-vous que les pattes sont contre le fond de l'armoire ou la ligne de niveau (voir « Alignement de la plaque de montage »).
4. Enfoncez les boulons dans la cloison sèche et serrez-les à la main en s'assurant que les ailettes se sont bien ouvertes contre la cloison sèche.
5. Vérifiez que la plaque est correctement centrée et assurez-vous qu'elle est de niveau.
6. Serrez fermement toutes les vis et boulons.

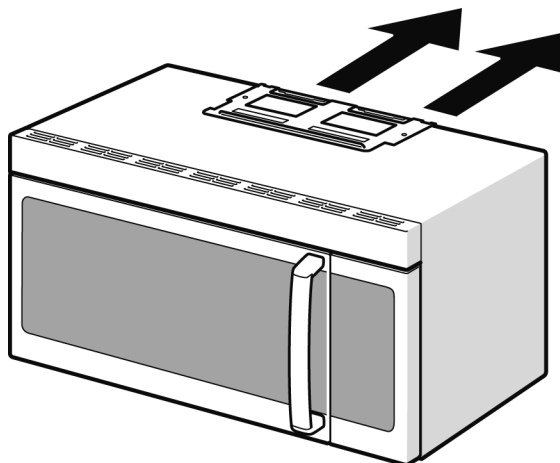
**Fixation de la plaque de montage
(montants au niveau des deux trous d'angle)**

1. Insérez les vis à bois dans les trous de la plaque de montage prévus.
2. Placez la plaque de montage contre le mure et assurez-vous que les pattes sont contre le fond de l'armoire ou la ligne de niveau (voir « Alignement de la plaque de montage »).
3. Vérifiez que la plaque est correctement centrée et assurez-vous qu'elle est de niveau.
4. Serrez fermement toutes les vis.

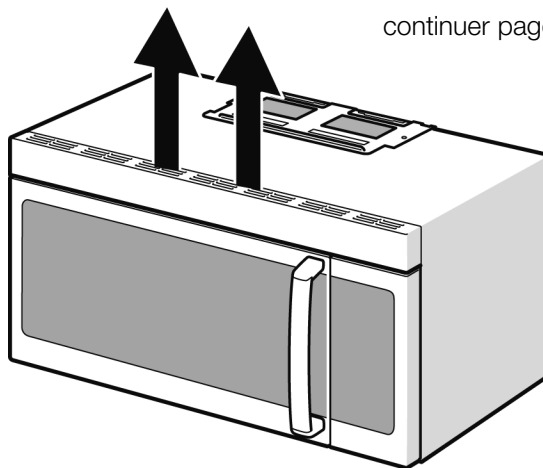
Types d'installation



**VENTILATION
PAR LE TOIT**
continuer page 45



**VENTILATION
PAR LE MUR**
continuer page 48

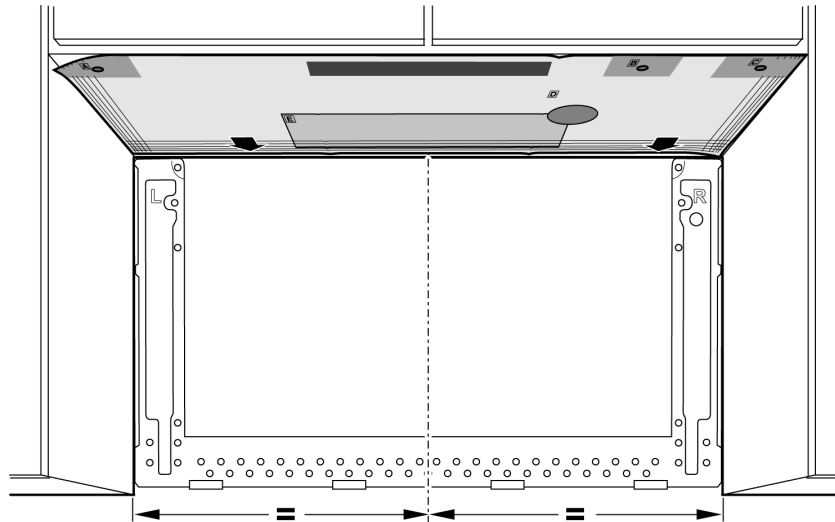


**VENTILATION
DANS LA PIÈCE**
continuer page 53

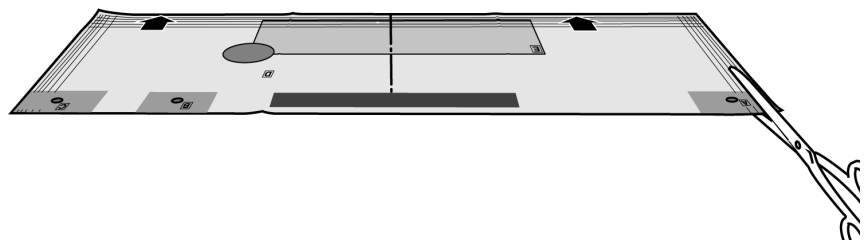
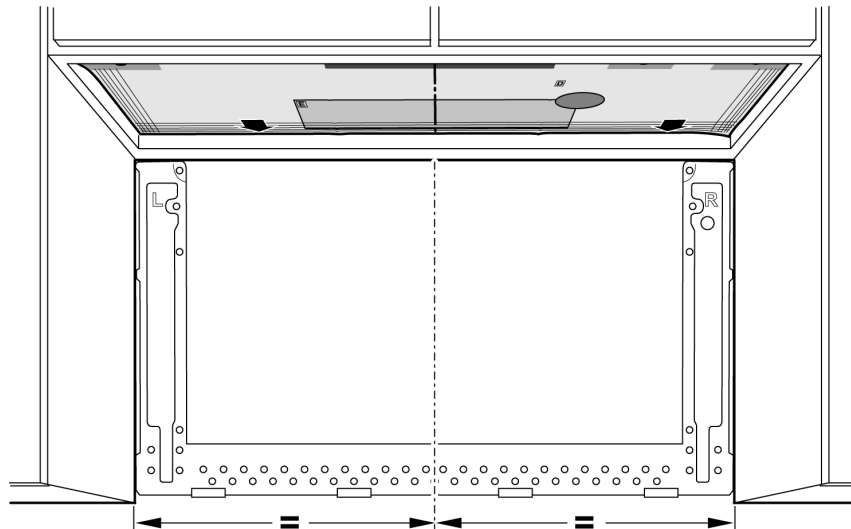
Ventilation par le toit

Préparez l'armoire supérieure

1. Coupez le courant qui alimente la prise.
2. Enlevez le contenu de l'armoire supérieure.
3. Fixez le **GABARIT DE L'ARMOIRE SUPÉRIEURE** sur le fond de l'armoire avec du ruban isolant. Assurez-vous que l'axe central du gabarit est aligné avec la ligne verticale du mur. Les flèches « mur arrière » doivent se trouver contre le mur arrière.



Remarque: Pour un fond d'armoire encastré, découpez les bords du gabarit afin qu'il puisse tenir dans la partie encastrée. Le gabarit comporte des lignes de repérage pour faciliter le découpage.



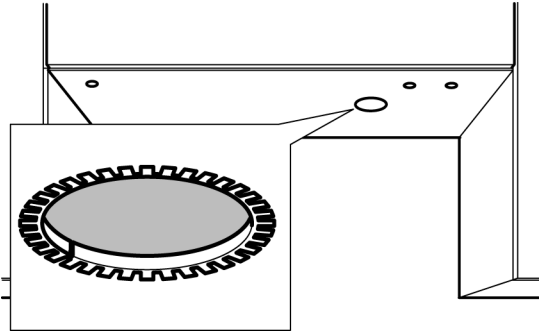
4. Percez des trous de $\frac{3}{8}$ po (9,5 mm) en « A », « B » et « C ».



ATTENTION: Portez des lunettes de sécurité lorsque vous percez des trous dans le fond de l'armoire.

5. Découpez un trou de 2 po (50,8 mm) en « D ». Ce trou servira pour le cordon d'alimentation.

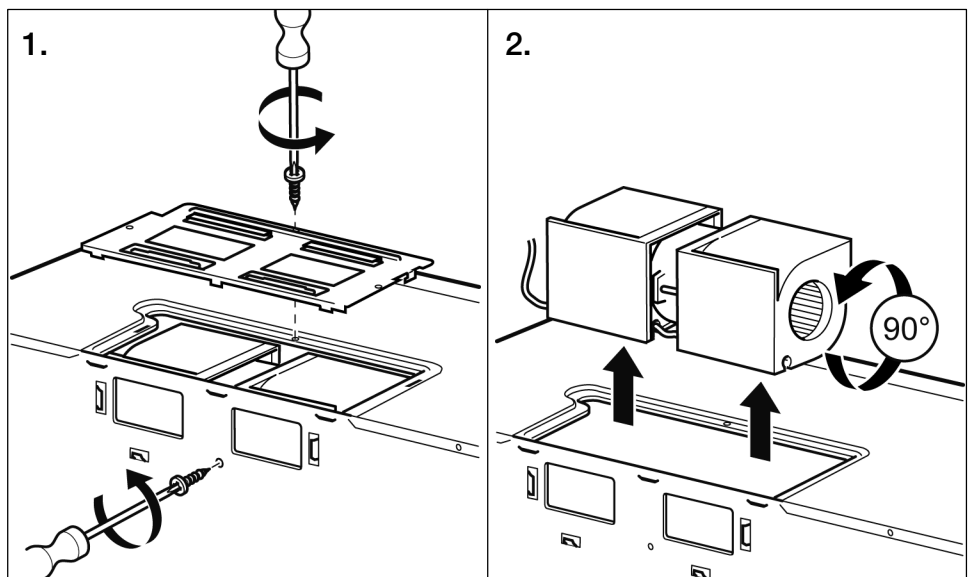
Remarque: Si l'armoire est en métal, utilisez le passe-câble en nylon autour de l'ouverture afin de protéger le cordon.



6. Découpez l'espace grisé « E » à l'aide d'une scie sauteuse ou à guichet.

Adaptation du ventilateur du four à micro-ondes

1. Retirez et conservez les vis qui maintiennent le moteur et la plaque du ventilateur. Soulevez la plaque du ventilateur et mettez-la de côté.
2. Retirez doucement le groupe ventilateur et faites-le pivoter de 90° de manière à ce que les ouvertures de pale de ventilateur soient orientées vers le haut du four à micro-ondes.

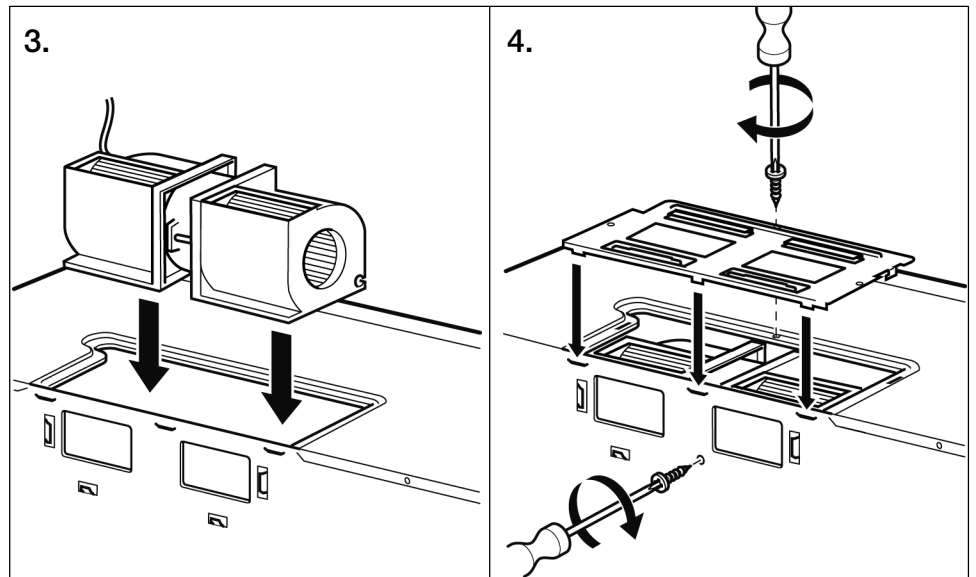


3. Remplacez le groupe ventilateur dans l'ouverture.



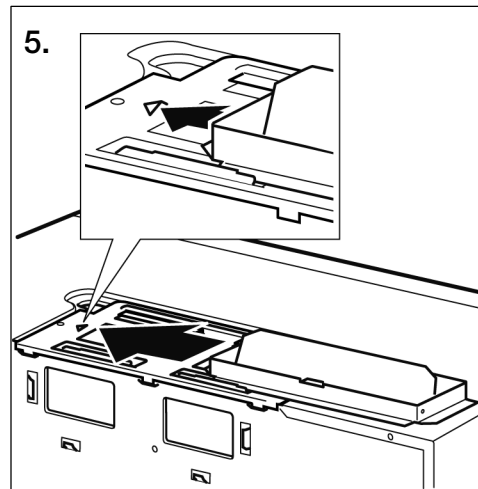
ATTENTION: Ne tirez pas et ne créez pas de tension sur les fils du groupe ventilateur. Veillez à ne pas pincer les fils, et à ce qu'ils soient bien fixés.

4. Remettez la plaque du ventilateur en place et fixez-la à l'aide des vis retirées à l'étape 1.



5. Fixez l'adaptateur d'évacuation sur la partie supérieure de la plaque du ventilateur en le faisant coulisser dans les guides. Poussez fermement jusqu'à ce qu'il soit enclenché dans les pattes de fixation.

Veillez à ce que la charnière du registre pivote librement.

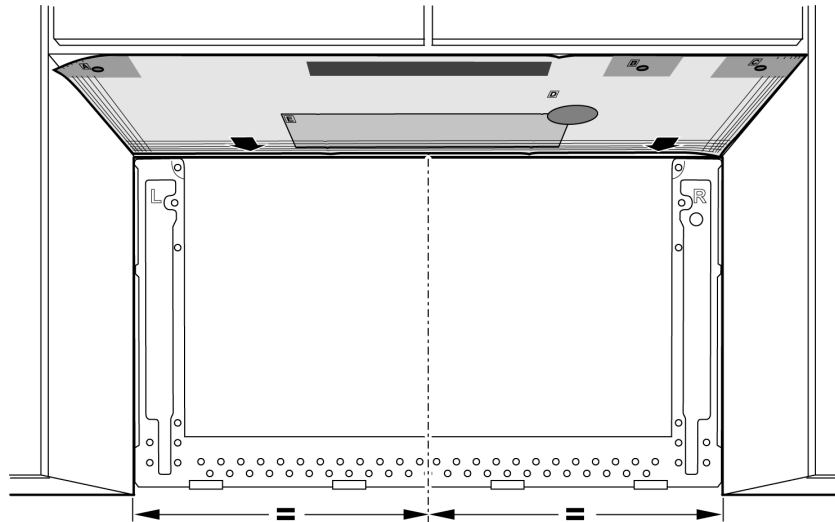


Passez à la page 55.

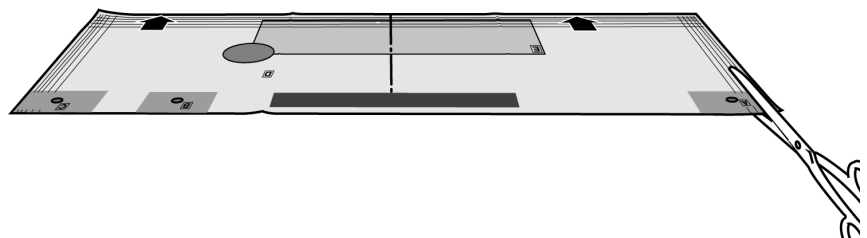
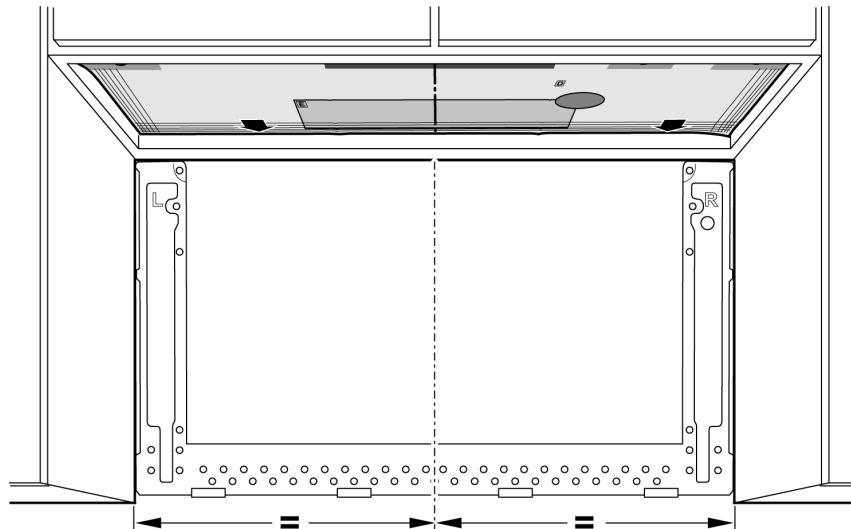
Ventilation par le mur

Préparez l'armoire supérieure

1. Coupez le courant qui alimente la prise.
2. Enlevez le contenu de l'armoire supérieure.
3. Fixez le **GABARIT DE L'ARMOIRE SUPÉRIEURE** sur le fond de l'armoire avec du ruban isolant. Assurez-vous que l'axe central du gabarit est aligné avec la ligne verticale du mur. Les flèches « mur arrière » doivent se trouver contre le mur arrière.



Remarque: Pour un fond d'armoire encastré, découpez les bords du gabarit afin qu'il puisse tenir dans la partie encastrée. Le gabarit comporte des lignes de repérage pour faciliter le découpage.



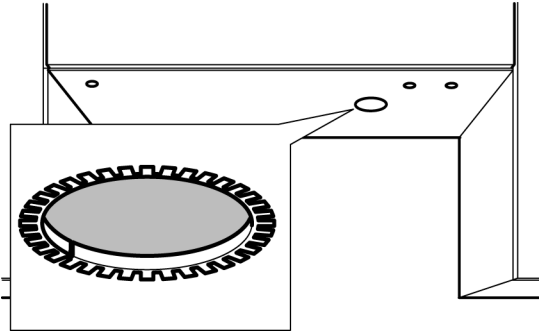
4. Percez des trous de $\frac{3}{8}$ po (9,5 mm) en « A », « B » et « C ».



ATTENTION: Portez des lunettes de sécurité lorsque vous percez des trous dans le fond de l'armoire.

5. Découpez un trou de 2 po (50,8 mm) en « D ». Ce trou servira pour le cordon d'alimentation.

Remarque: Si l'armoire est en métal, utilisez le passe-câble en nylon autour de l'ouverture afin de protéger le cordon.



Préparez le mur arrière

Pour une installation avec ventilation par le mur, vous devez découper une ouverture sur le mur arrière.

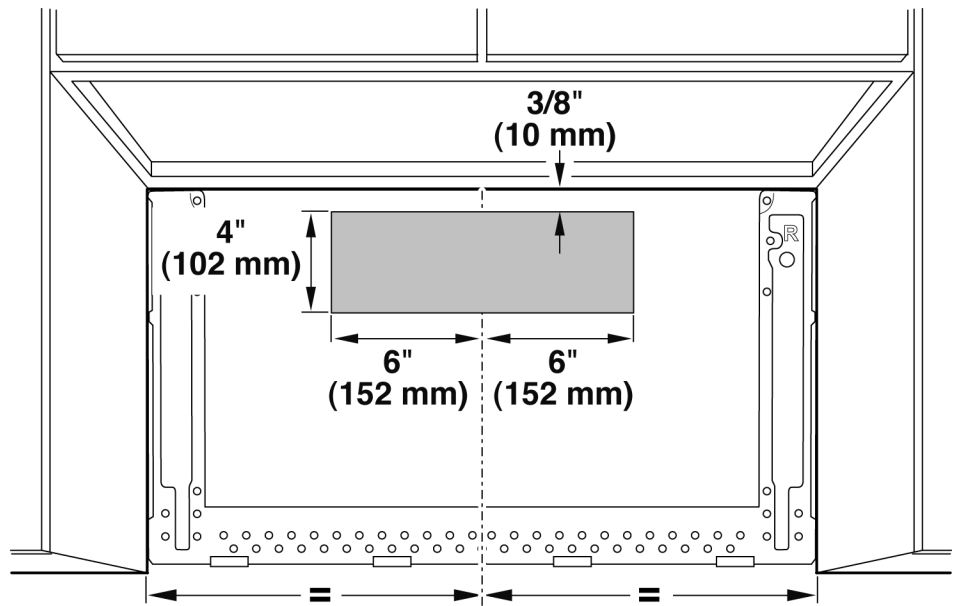


ATTENTION: Si l'adaptateur d'évacuation est placé à l'extérieur, utilisez les dimensions recommandées, sinon l'air chargé de graisse sera évacué dans la structure de l'habitation.

1. Tracez l'axe central (voir Fixation de la plaque de montage au mur) $\frac{3}{8}$ (10 mm) vers le bas partant du dessus de la plaque de montage.
2. À l'aide du mètre-ruban, mesurez 6 po (152 mm) des deux côtés de l'axe central, et faites une marque.
3. Mesurez 4 po (102 mm) vers le bas partant de la marque effectuée à l'étape 1, et faites une marque.
4. À l'aide de la règle droite, tirez deux lignes horizontales de niveau à travers les marques effectuées aux étapes 1 et 3.
5. Élevez les 2 fils à plomb verticaux en partant des marques faites à l'étape 2 pour obtenir un rectangle de 12 po x 4 po (304 x 102 mm). Ce rectangle représente la section découpée du système d'évacuation.

La section découpée de 12 po x 4 po (305 x 102 mm) doit être alignée avec l'évent du registre mural (où l'assemblage du registre sera installé) à l'arrière du four à micro-ondes.

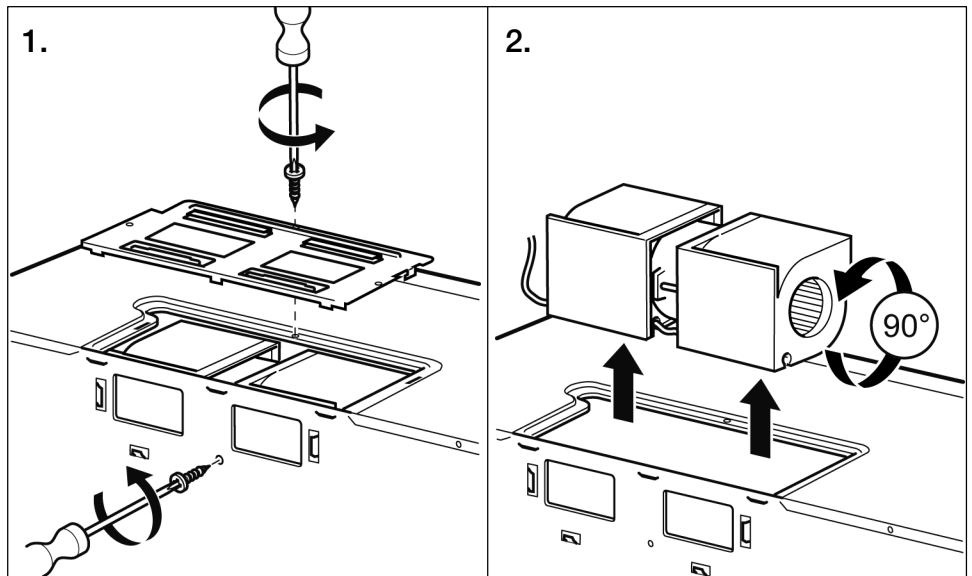
Remarque: La section découpée doit être libre de toute obstruction afin que l'évent s'ajuste correctement, et que la charnière du registre s'ouvre complètement et pivote librement.



6. À l'aide d'une scie sauteuse ou d'une scie à guichet, découpez cette section dans le mur arrière.

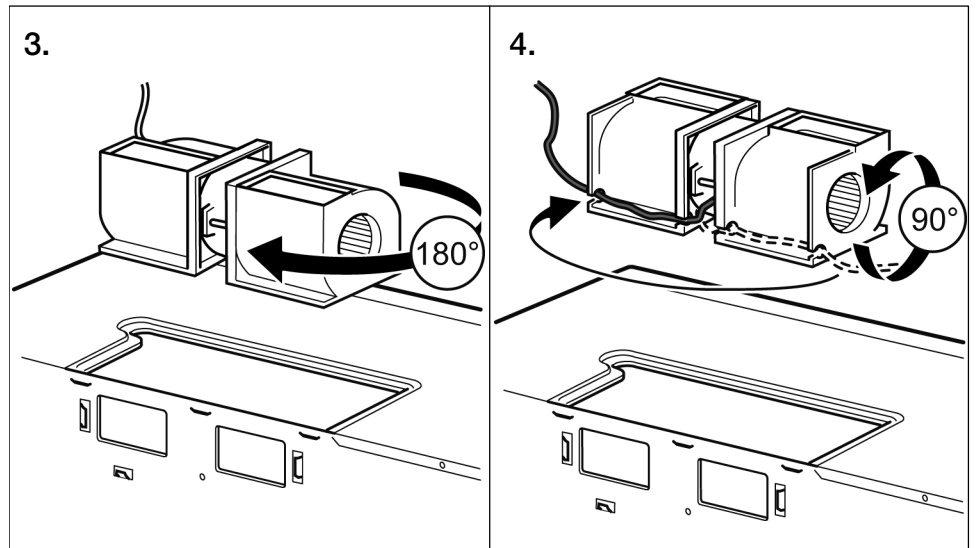
Adaptation du ventilateur du four à micro-ondes

1. Retirez et conservez les vis qui maintiennent le moteur et la plaque du ventilateur. Soulevez la plaque du ventilateur et mettez-la de côté.
2. Retirez doucement le groupe ventilateur et faites-le pivoter de 90° de manière à ce que les ouvertures de pale de ventilateur soient orientées vers le haut du four à micro-ondes.



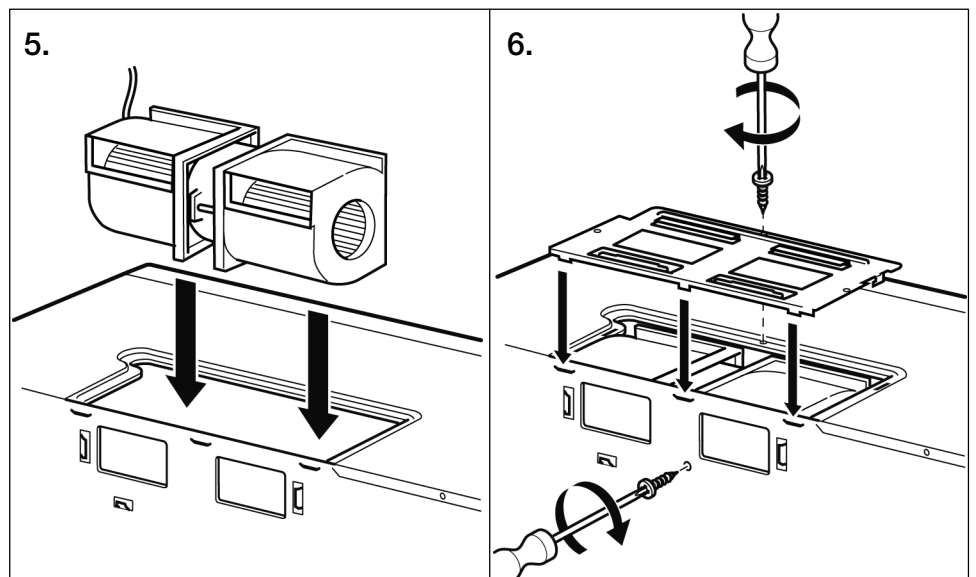
3. Faites pivoter le groupe ventilateur de 180° en sens inverse des aiguilles d'une montre.

4. Retirez délicatement les fils des fentes. Passez les fils à travers les fentes de l'autre côté du groupe ventilateur. Faites pivoter le groupe ventilateur de 90° afin que les ouvertures de pale de ventilateur soient orientées vers l'arrière du four à micro-ondes.



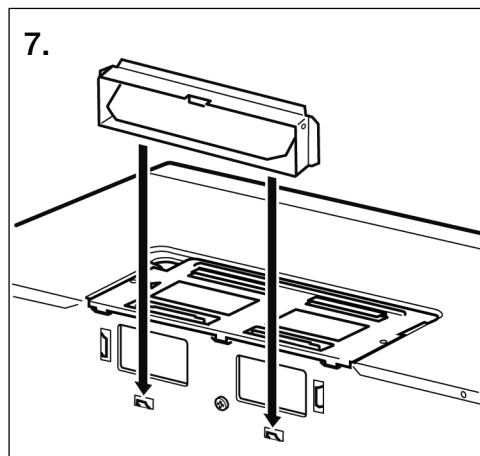
ATTENTION: Ne tirez pas et ne créez pas de tension sur les fils du groupe ventilateur. Veillez à ne pas pincer les fils, et à ce qu'ils soient bien fixés.

5. Remplacez le groupe ventilateur dans l'ouverture.
6. Remettez la plaque du ventilateur en place et fixez-la à l'aide des vis retirées à l'étape 1.



7. Fixez l'adaptateur d'évacuation sur la partie arrière du four en le faisant coulisser dans les guides. Poussez fermement jusqu'à ce qu'il soit enclenché dans les pattes de fixation inférieures.

Veillez à ce que la charnière du registre pivote librement.

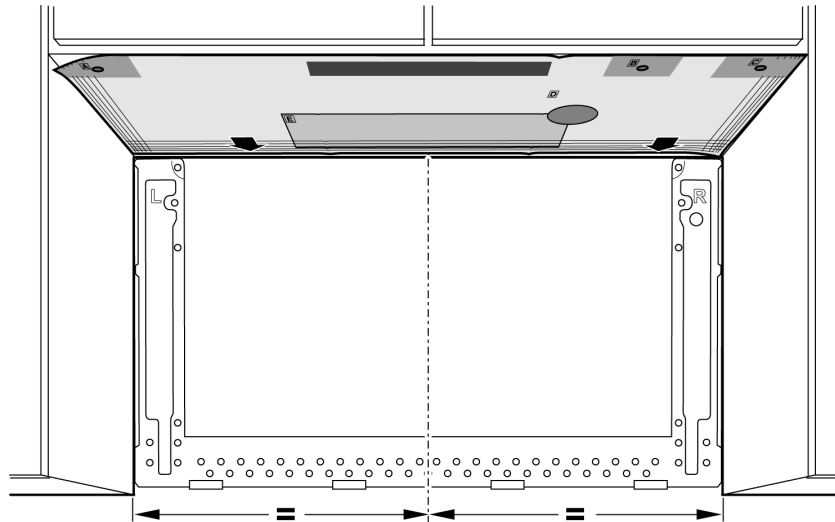


Passez à la page 55.

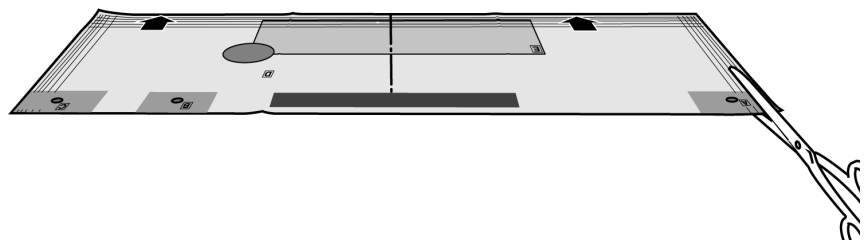
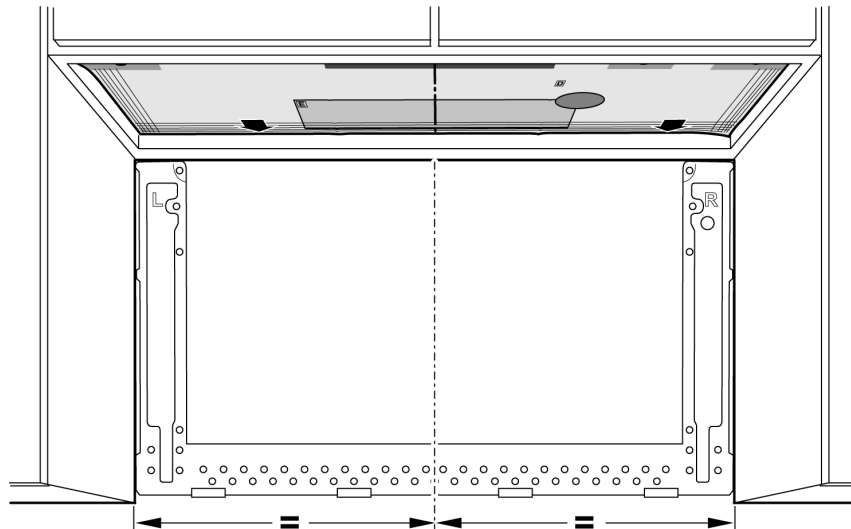
Ventilation dans la pièce

Préparez l'armoire supérieure

1. Coupez le courant qui alimente la prise.
2. Enlevez le contenu de l'armoire supérieure.
3. Fixez le **GABARIT DE L'ARMOIRE SUPÉRIEURE** sur le fond de l'armoire avec du ruban isolant. Assurez-vous que l'axe central du gabarit est aligné avec la ligne verticale du mur. Les flèches « mur arrière » doivent se trouver contre le mur arrière.



Remarque: Pour un fond d'armoire encastré, découpez les bords du gabarit afin qu'il puisse tenir dans la partie encastrée. Le gabarit comporte des lignes de repérage pour faciliter le découpage.



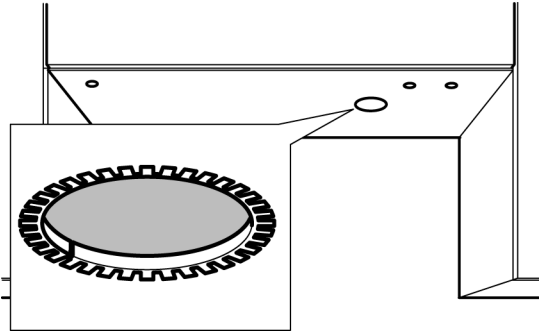
4. Percez des trous de $\frac{3}{8}$ po (9,5 mm) en « **A** », « **B** » et « **C** ».



ATTENTION: Portez des lunettes de sécurité lorsque vous percez des trous dans le fond de l'armoire.

5. Découpez un trou de 2 po (50,8 mm) en « **D** ». Ce trou servira pour le cordon d'alimentation.

Remarque: Si l'armoire est en métal, utilisez le passe-câble en nylon autour de l'ouverture afin de protéger le cordon.



Adaptation du ventilateur du four à micro-ondes

Ce four à micro-ondes est livré assemblé pour l'**Installation avec ventilation dans la pièce**. Le groupe ventilateur est déjà mis en place et ne doit pas être adapté.

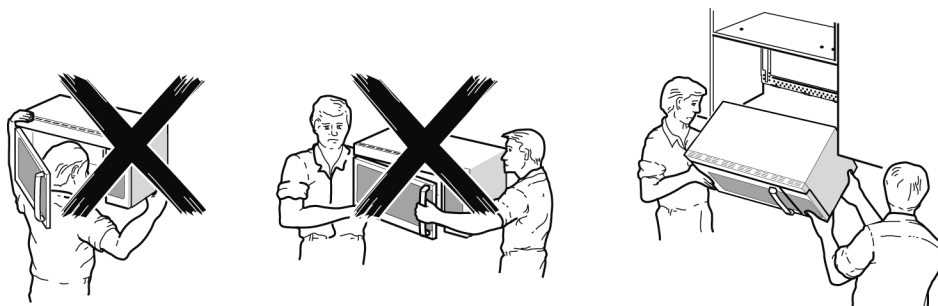
Passez à la page 55.

Montage du four à micro-ondes

Remarque: Si le fond de l'armoire supérieure est encastré ou possède un surplomb avant, vous devrez préparer des cales de 2 po x 2 po (51 mm x 51 mm - équivalent à la profondeur de l'encastrement ou surplomb de l'armoire) afin d'assurer un support complémentaire aux boulons :

- marquez le centre de chaque cale et percez un trou de $\frac{3}{8}$ (9,5 mm) de diamètre
- alignez les cales sur les trois ouvertures au-dessus du four à micro-ondes et fixez-les à l'aide de ruban adhésif (voir la figure 1)

Remarque: Il faut au moins deux personnes pour installer le four à micro-ondes. Ne pas saisir ou utiliser la poignée pendant l'installation.



Remarque: Lorsque vous montez le four à micro-ondes, faites passer le cordon d'alimentation dans le trou situé dans le fond de l'armoire supérieure. Veillez à ce que le cordon d'alimentation reste bien tendu et ne le pincez pas surtout lors d'un montage affleurant le fond de l'armoire. Ne soulevez pas le four à micro-ondes en tirant sur le cordon d'alimentation.

1. Soulevez le four à micro-ondes, inclinez-le vers l'avant, et emboîtez les encoches situées au bas de la face arrière du four dans les quatre pattes inférieures de la plaque de montage.
2. Rabattez le four contre le fond de l'armoire.

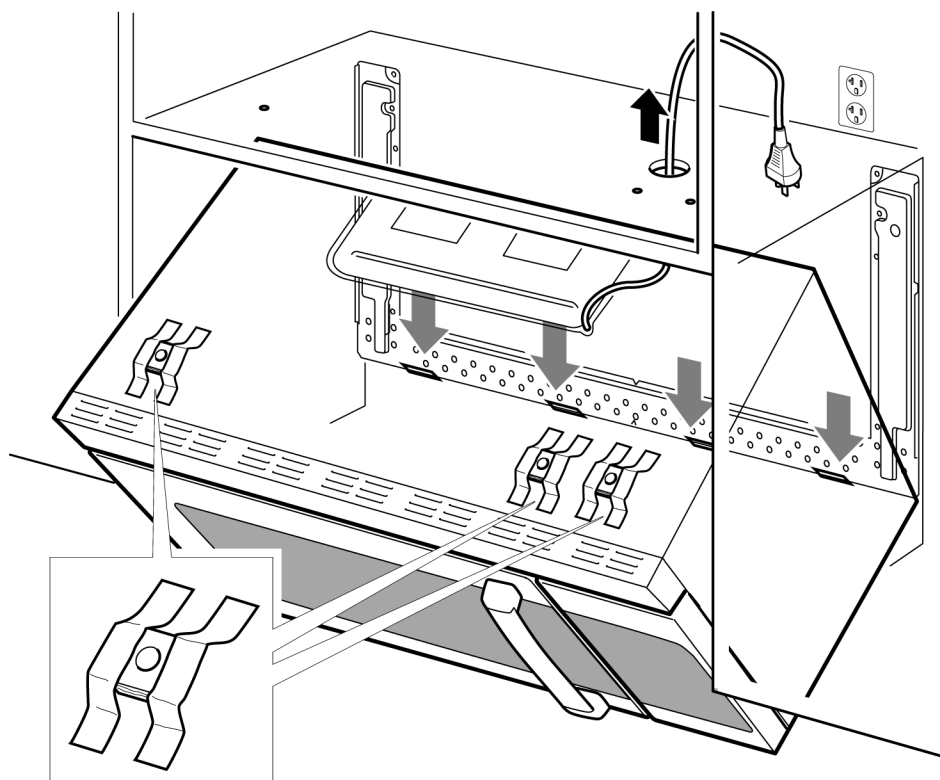
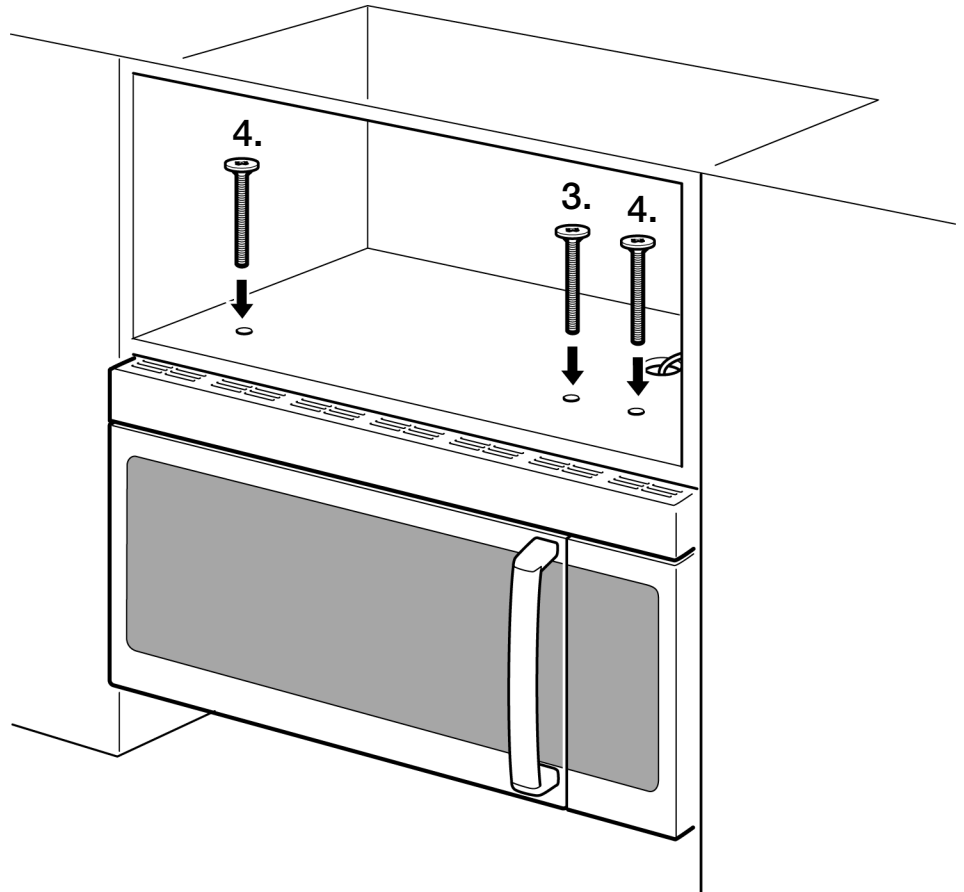


Figure 1

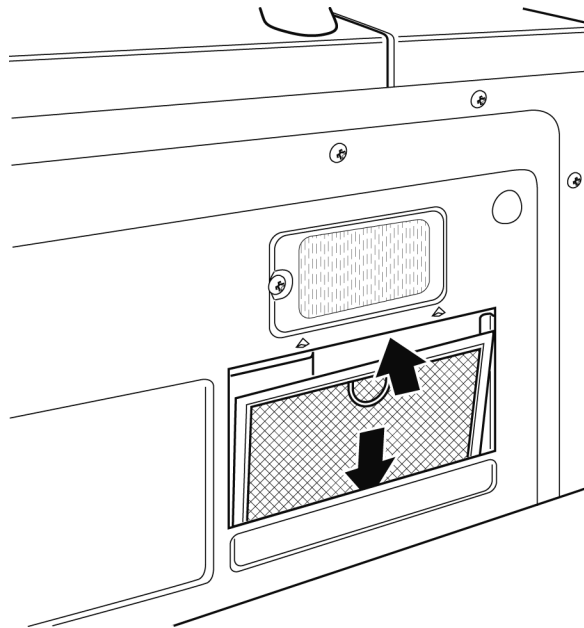
3. Insérez une vis autocentrante dans le trou prévu au centre de l'armoire supérieure. Fixez temporairement le four en serrant la vis d'au moins **deux tours complets** après avoir engagé les filets.
4. Insérez les vis autocentrantes restantes dans les trous extérieurs prévus sur l'armoire supérieure. Vissez chaque vis en effectuant **deux tours complets**.



5. Vissez complètement la vis centrale.
6. Vissez complètement les deux vis extérieures sur la partie supérieure du four à micro-ondes.

Remarque: Tout en serrant les vis, maintenez le four à micro-ondes en place contre le mur et contre l'armoire supérieure.

7. Installez les filtres à graisse en les faisant coulisser dans les fentes latérales, puis en les poussant vers le haut et vers le four pour les verrouiller.



Évacuation par hotte

Si vous optez pour une évacuation vers l'extérieur, des conduits d'évacuation seront requis. Lisez attentivement les informations suivantes.

Remarque: Il est important que la ventilation installée suive la route la plus directe, avec le moins de coudes possible. Ceci garantit la fluidité de la ventilation et empêche les obturations. Veillez également à ce que les registres pivotent librement et que rien n'obstrue les conduits.

Branchement de l'évacuation





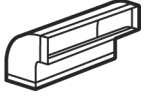
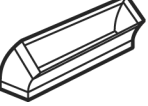
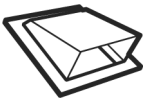

L'évacuation a été prévue pour un conduit rectangulaire standard de 3¼ po x 10 po (82 x 254 mm). En cas d'utilisation d'un conduit circulaire, un raccord de transition rectangulaire-circulaire doit être utilisé. **N'utilisez pas de conduit d'un diamètre inférieur à 6 po (152 mm).**

Longueur maximale du conduit

Pour la bonne circulation de l'air, la longueur totale du conduit rectangulaire de 3¼ po x 10 po (82 x 254 mm) ou du conduit rond de 6 po (152 mm) de diamètre **ne doit pas excéder un équivalent de 120 pieds (36,5 m).**

Les coudes, raccords de transition, capuchons muraux ou de toiture, etc.

Présentent une résistance supplémentaire à l'air. Ils sont équivalents à une section d'un conduit droit dont la longueur est supérieure à leur taille physique réelle. Lors du calcul de la longueur totale des conduits, ajoutez les longueurs équivalentes de tous les raccords de transition et adaptateurs à la longueur des sections de conduits droits. Le tableau suivant vous indique comment calculer la longueur totale équivalente des conduits d'évacuation à partir de la longueur équivalente approximative en pieds de conduits traditionnels :

Pièces de conduits		Longueur équivalente	x	Nombre utilisé	=	Longueur équivalente
	Raccord de transition rectangulaire-circulaire*	5 pi (1,5 m)	x	()	=	pi ou m
	Capuchon mural	40 pi (12,2 m)	x	()	=	pi ou m
	Coude 90°	10 pi (3 m)	x	()	=	pi ou m
	Coude 45°	5 pi (1,5 m)	x	()	=	pi ou m
	Coude 90°	25 pi (7,6 m)	x	()	=	pi ou m
	Coude 45°	5 pi (1,5 m)	x	()	=	pi ou m
	Capuchon de toiture	24 pi (7,3 m)	x	()	=	pi ou m
	Conduit droit circulaire de 6 po (152 mm) ou Rectangulaire de 3¼ po x 10 po (82 x 254 mm)	1 pi (0,3 m)	x	()	=	pi ou m
				Longueur totale des conduits	=	pi ou m

* En cas d'utilisation d'un raccord de transition rectangulaire-circulaire, veillez à ce que la charnière du registre du micro-ondes pivote librement. Si nécessaire, découpez le registre à la dimension voulue à l'aide des cisailles de ferblantier pour permettre le libre mouvement du registre.

Les longueurs équivalentes des pièces de conduits s'appuient sur des tests réels et reflètent les exigences pour une bonne ventilation quel que soit le modèle de hotte utilisé.

Dépannage

Si vous avez besoin de faire réparer votre appareil, veuillez contacter notre Service d'entretien. D'autre part, notre Centre de service à la clientèle central (voir ci-après) sera heureux de vous fournir les coordonnées d'un centre près de chez vous.

Lorsque vous prenez contact avec notre service client, veuillez avoir les numéros E et FD de votre appareil à portée de main.

Vous trouverez ces numéros sur la plaque signalétique à l'intérieur de l'appareil.

Questions ? Veuillez nous contacter. Nous attendons de vos nouvelles !

1-800-944-2904

www.boschappliances.com

5551 McFadden Ave.
Huntington Beach, CA 92649 USA

9000483653 • B170789



5551 McFadden Ave., Huntington Beach, CA 92649 • 1-800-944-2904
www.boschappliances.com © BSH Home Appliances Corporation 2008