

# Bosch Vision™ 800 Series Clothes Washers



**BOSCH**

Invented for life



- en **Washer: Operating, Care and Installation Instructions**
- fr **Lave-Linge: Notice d'utilisation, de maintenance et d'installation**
- es **La lavadora: Operación, cuidado y instrucciones para la instalación**

---

# Features and Benefits of Your New Washer

## ActiveClean™ Technology

Bosch ActiveClean® technology optimizes the wash process at every stage of the cycle by sensing load size, water level and temperature needs for superior results. Digital sensors care for all fabrics including wool, mohair and silk. This machine virtually operates at the touch of a button.

## EcoSmart™ Technology

EcoSmart™ Technology utilizes a network of sensors in the Bosch Vision washer for cycles that conserve the most energy possible while maintaining superior washing performance. By adjusting to the size of the load and regulating temperature to never overheat, it is no wonder that Bosch is the most efficient brand on the market.

## EcoAction®

This option gives you the ability to reduce energy usage by up to 20%. By selecting this option the temperature is reduced to save resources while the wash time is slightly extended to ensure proper washing.

## ActiveWater™ Wash System

Only Bosch Vision washers featuring the ActiveWater™ wash system can consume as little as 13 gallons of water but wash with the power of 400 gallons! By adding water faster and constantly raining water back down on the clothes, Bosch Vision gets the most out of every drop of water.

## Stain Removal

This unique option begins each cycle with a cold water fill and heats to all the most important water temperatures to remove stains. Since each type of stain is removed at a different specific temperature, only Bosch Vision with the Stain Removal option can address the widest variety of stains and remove them all in just one load.

## Exclusive Hinge and Gasket System

A reinforced hinge and our unique gasket design help seal in the heat, allowing your laundry to reach the optimum temperature, which eliminates even the toughest stains.

## 3-Part Detergent Jet Dispenser

A 3-part dispenser automatically distributes detergent, bleach and softener at exactly the right times.

## XxtraSanitary® Cycle

With this innovative cycle, a thermostat-controlled intelligent system heats up the water to 170° F. The clothes are thoroughly cleaned and sanitized while killing 99.99% of most common household bacteria.

## Baby Care™ Cycle

The littlest people in the house usually account for the toughest stains. This cycle heats the wash water up to 155° F to remove even the most stubborn stains with ease.

## Bosch Exclusive Paddles

As your wash gently tumbles, the paddles cascade water from high above, rinsing away suds and giving your laundry a complete, even clean. Our stainless steel drum optimizes performance to ensure not a single shirt goes unturned.

## Stainless Steel Drum

The Vision™ washer drum has hundreds of smooth double punched holes, which allow your garments to gently tumble completely snag-free.

## Internal Water Heater

An internal heating element heats the water to up to 180° F while a digital temperature sensor continually monitors the water temperature. Bosch Vision™ washers deliver the most efficient and accurate water heating method for each selected fabric type.

## Quiet Performance

Bosch washers use suspended brushless motors, isolated pump systems and special sound-deadening material to keep them exceptionally quiet while in operation. This means they can be installed virtually anywhere in the home without causing a disturbance. Bosch's special unbalance control software eliminates noisy unbalance conditions.

## AVS™ Anti-Vibration System

The AVS™ Anti-Vibration System reduces vibration even during high spins for near silent, smooth operation. So even if the Vision washer is installed on a second story you may never know its there.

## AquaStop™

**AquaStop™** is an internal containment safety system designed to protect against flood-type leakage to decrease the chance of water damage when the washer is turned on and operating.

## AquaStop™ Hose

The **AquaStop™** Hose stops water flow in the event the **AquaStop™** Hose experiences flood-type leakage.

# Table of Contents

Definitions .....	4
<b>IMPORTANT SAFETY INSTRUCTIONS</b> .....	<b>4</b>
Grounding Instructions .....	6
<b>INSTALLATION INSTRUCTION</b> .....	<b>7</b>
Introduction .....	7
Information concerning waste disposal .....	7
Intended use .....	7
Environmental Protection / Conservation Issues .....	7
Factory-supplied equipment .....	7
Dimensions .....	8
Installation area .....	8
Removing the transport bolts .....	11
Water connection .....	12
Electrical connection .....	14
Leveling procedure .....	15
Transporting the Washer .....	16
<b>OPERATING INSTRUCTION</b> .....	<b>17</b>
Panel .....	17
<b>Before Using For the First Time</b> .....	<b>18</b>
<b>Using For the First Time</b> .....	<b>18</b>
Setting the time .....	18
Selecting the Language .....	18
First washing cycle (without laundry) .....	18
Preparing the laundry .....	19
Sorting the laundry .....	19
Degrees of soiling .....	19
Loading the laundry .....	20
<b>Laundry Detergents and Additives</b> .....	<b>20</b>
Adding the correct amount of detergent .....	20
Filling laundry detergent and/or additives .....	20
Decolorizing .....	21
<b>Cycles and Options</b> .....	<b>22</b>
Option buttons (Stain Removal, Allergy Rinse, ECO Action) .....	22
Cycle Selection Table .....	23
<b>LCD Menu Options and Special Features</b> .....	<b>24</b>
Quick Overview (Spin Speed, Finish at Time, Washing Mode, Reduced Ironing, Pre-Soak, Signal, Set Clock) .....	24
Signal Volume .....	24
Special features (Auto Load adjust, AVS™ Anti-Vibration System) .....	25
Child lock .....	25
<b>During Washing</b> .....	<b>26</b>
Re-selecting a program .....	26
Add a garment / Interrupting the program .....	26
Canceling the active program .....	26
<b>After Washing</b> .....	<b>26</b>
<b>User Maintenance Instructions</b> .....	<b>27</b>
Cleaning and Care .....	27
Cleaning the appliance housing and control panel .....	27
Cleaning the drum .....	27
Cleaning the detergent dispenser .....	27
Cleaning water inlet strainers .....	27
Descaling the washing machine .....	28
<b>Troubleshooting of Minor Faults</b> .....	<b>29</b>
<b>Customer Service</b> .....	<b>32</b>
<b>STATEMENT OF LIMITED PRODUCT WARRANTY</b> .....	<b>33</b>
<b>Cycle Selection Table</b> .....	<b>108</b>

Congratulations!

Your washing machine is a modern, high quality domestic appliance.

This modern washing machine cleans your laundry using the most sophisticated washing processes to obtain superior cleaning results.

Excellent engineering and reliability reduce operating costs significantly.

An easy operation philosophy, a variety of customized washing cycles and a solid touch and feel make this appliance a user-friendly assistant in your household.

Your washer offers the following standard features:

- Low noise level for washing and spinning.
- Large door with magnetic door lock.
- Door opening 16 inches (41 cm), quality sturdy hinge, opening angle is 160°.
- Drum capacity 22 lbs (10 kg) for regular cotton loads.

Each washing machine which leaves our factory has undergone a thorough performance test and is in full working condition. The appliance may contain residual water due to the testing procedures. If you have any questions concerning installation of the washing machine, our customer service will be happy to advise you.

Further information and a selection of our products can be found on our web site: [www.boschappliances.com](http://www.boschappliances.com)

Please read and follow these operating and installation instructions along with all other information enclosed with the washing machine.

These operating and installation instructions describe various models. Differences are indicated in the appropriate places.

The illustrations may show different details than your washer.

## Definitions



### WARNING

**WARNING** – This indicates that death or serious injuries may occur as a result of non-observance of this warning.



### CAUTION

**CAUTION** – This indicates that minor or moderate injuries may occur as a result of non-observance of this warning.

### NOTICE

**NOTICE** – This indicates that damage to the appliance or property may occur as a result of non-observance of this warning.

This symbol is used to draw the user's attention to important matters.

## IMPORTANT SAFETY INSTRUCTIONS



### WARNING

The warnings and safety instructions in this manual can not cover all possible risks, conditions and situations that may arise. Use common sense and exercise caution when installing, maintaining and operating this or any other appliance.



### WARNING

To reduce the risk of fire, electric shock, serious injury or death when using your washing machine, follow basic precautions, including the following:

1. BOSCH washers are provided with an Operating, Care and Installation Instructions Manual. Read and understand all instructions before using the washing machine.

2. Do not wash articles that have been previously cleaned, washed, soaked, or spotted with gasoline, dry cleaning solvents, other flammable or explosive substances as they give off vapors that could ignite or explode.
3. Do not add gasoline, dry cleaning solvents, or other flammable or explosive substances to the wash water. These substances give off vapors that could ignite or explode.
4. Under certain conditions hydrogen gas may be produced in a hot water system that has not been used for 2 weeks or more. **HYDROGEN GAS IS EXPLOSIVE.** If the hot water system has not been used for this length of time, turn on all hot water faucets and let the water flow out of each faucet for several minutes before using the washing machine. This will release any accumulated hydrogen gas. As the gas is flammable, do not smoke or use

an open flame while carrying out this procedure.

5. To reduce the risk of fire, clothes, cleaning rags, mop heads and the like which have been soiled with any flammable substance, such as vegetable oil, cooking oil, petroleum based oils or distillates, waxes, fats, etc., must be kept away from any source of ignition, including a clothes dryer. These items may contain flammable substances which, even after washing, may smoke or catch fire.
6. Do not bypass any safety devices.
7. Store all laundry chemicals and aids in a cool dry place according to the manufacturers' instructions.
8. To reduce the risk of fire or electrical shock, DO NOT use an extension cord or an adapter to connect the washing machine to the power supply.
9. Before the appliance is removed from service or discarded, remove the door and the power cord/plug.

10. When children become old enough to operate the appliance, it is the responsibility of the parents or legal guardians to ensure that they are instructed in safe practices by qualified persons.
11. Do not allow children to play on or in the appliance at any time; severe injury or death could result. Children should be kept a safe distance away from appliances at all times. Children should only be permitted within an appliance's vicinity if under close, constant adult supervision.
12. Do not allow children's toys or other items that might encourage children to climb on the washer, to be stored on or in the washer or on shelves or in cabinets or other storage areas above the washer.
13. Do not sit or stand on the top of the washing machine.
14. Do not allow anyone to climb, lean or hang on any part of the washer including any protruding components such as the appliance door or a pullout shelf.
15. To reduce the risk of poisoning or chemical burns, keep all cleaning products out of the reach of children.
16. Keep pets away from the washing machine.
17. Do not reach into the appliance if the wash drum is moving.
18. Do not install or store this appliance where it will be exposed to the weather.
19. Do not tamper with the controls.
20. Do not repair or replace any part of the appliance or attempt any service unless specifically recommended in the user maintenance instructions or in published user repair instructions that you understand and have the skills to carry out.
21. Do not touch the washer door if washing at high temperatures.
22. Use caution when draining hot water.
23. Removing any panel can expose sharp edges and points, electrical connections or hot surfaces.
24. Always unplug the washing machine from the power supply before attempting any service.
  - Disconnect the power cord by grasping the plug, not the cord.
25. Do not machine wash fiberglass materials (such as curtains and window coverings that use fiberglass materials). Small particles may remain in the washing machine and stick to fabrics in subsequent wash loads causing skin irritation.
26. Do not insert/pull out the power plug with wet hands.
27. Do not use the washing machine if it has a worn power cord or loose plug. If this is the case, contact an authorized service agent.
28. Do not operate the washing machine if any guards, panels and/or fasteners except transport fixing bolts have been removed.
29. The washing machine must only be used for its intended purpose.
30. Always follow the fabric care instructions recommended by the clothing manufacturer.
31. Make sure that all water connections to the washing machine have shut-off valve(s) that are readily accessible. Close the washing machine water shut-off valve(s) at the end of each wash day.
32. Check the fill hose connections on a regular basis to ensure that they are tight and not leaking, and before applying power to the machine.
33. Always read and follow the instructions of the manufacturer of the detergent(s), cleaning aid(s), fabric softener(s) and static eliminator(s) which you are using. Heed all warnings and precautions.
34. Do not operate the washing machine if parts are missing or broken.
35. Do not operate this washing machine until you are sure that:
  - a. the washing machine has been installed according to the INSTALLATION INSTRUCTIONS.
  - b. all water, drain, power and grounding connections are in compliance with all local regulations and/or other applicable regulations and requirements.
36. Failure to install, maintain and/or operate the washing machine according to the manufacturer's instructions may result in injury and/or damage.
37. To avoid damage to the door, do not push against the door when moving the unit. Precautions should be taken to avoid damage to the floor as well.
38. To avoid floor damage and mold growth, do not let spills or splashes cause standing water around or under the appliance.
39. The water connections should be made and tested before electrical power is applied to the machine.

## SAVE THESE INSTRUCTIONS

## Notes:

- A. The IMPORTANT SAFEGUARDS and WARNINGS indicated in this manual do not cover all possible conditions which may occur. Common sense, caution and care must be exercised when installing, maintaining or operating the washing machine.
- B. Always contact your dealer, distributor, service agent or the manufacturer about any problems or conditions that you do not understand.

## GROUNDING INSTRUCTIONS

This appliance must be grounded. In the event of damage or failure, grounding will reduce the risk of electric shock by providing a path of least resistance for the electric current. This appliance is equipped with a cord that has an equipment-grounding conductor and a grounding plug. The plug must be plugged into an appropriate outlet that is properly installed and grounded in accordance with all local codes and ordinances.



### WARNING

Improper connection of the equipment grounding conductor can result in electric shock. Connect to an individual branch circuit. Check with a qualified electrician or serviceman if you are in doubt as to whether the washer is properly grounded. DO NOT modify the plug provided with the appliance – if it will not fit the outlet have a proper outlet installed by a qualified electrician.

## KEEP THESE INSTRUCTIONS FOR FUTURE REFERENCE.

In case of change of ownership, manual should be conveyed with the washer.

# INSTALLATION INSTRUCTIONS

## Introduction

### CAUTION

TO AVOID RISK OF INJURY  
The washing machine is heavy. Lift with caution.

Be sure to observe all listed warnings and cautions.

### NOTICE

Frozen hoses can tear/burst. Do not install the washing machine outdoors or in an area exposed to freezing conditions. If the washing machine is located in a room which will be exposed to temperatures below freezing, or if it is located in a cabin that is being shut down for the winter, any residual water in the pump or water inlet hose(s) **must** be drained.

These installation instructions are intended for use by qualified installers. In addition to these instructions, if installing the washing machine:

- In the United States comply with the National Electric Code, ANSI/NFPA70 – latest edition/State and municipal and/or local regulations.
- In Canada comply with the Canadian Electric Code C22.1 – latest edition/Provincial and Municipal and/or local regulations.

Take care not to damage the washing machine. Do not hold onto protruding parts (e.g. door) when lifting.

In addition to the safety information listed here, the local water and electricity supplier may have special requirements.

If in doubt, have the appliance connected by an authorized technician.

## Information concerning waste disposal

### Disposing of the packaging

The shipping package has protected your new appliance on its way to your home. All packaging materials are non-polluting and recyclable. Please contribute to a better environment by disposing of packaging materials in an environmentally friendly manner.

Please ask your dealer or local authority about the best means of disposal.

### WARNING

Keep children away from shipping carton and packaging components to avoid risk of suffocation from plastic wrap and folding cartons.

### Disposing of your old appliance

Old appliances are not worthless rubbish! Valuable raw materials can be reclaimed from environmentally friendly recycling.

### WARNING

If appliance is no longer usable, pull out the main plug, cut off the power cord and discard.

Also remove the washer door to prevent children from locking themselves in the appliance.

## Intended Use

Your washing machine is intended:

- For domestic use only.
- For cleaning machine-washable fabrics in tap water.
- For operation using cold and hot (140 °F / 60 °C) tap water and conventional additives that are suitable for use in residential washing machines.

## Environmental Protection / Conservation Issues

Your washing machine uses water, energy and detergent efficiently, thereby protecting the environment and reducing your household costs.

To use your washing machine in an efficient and non-polluting manner:

- **Avoid using too much detergent.**
- Use detergents bearing the HE symbol for high efficiency and front loading washers.

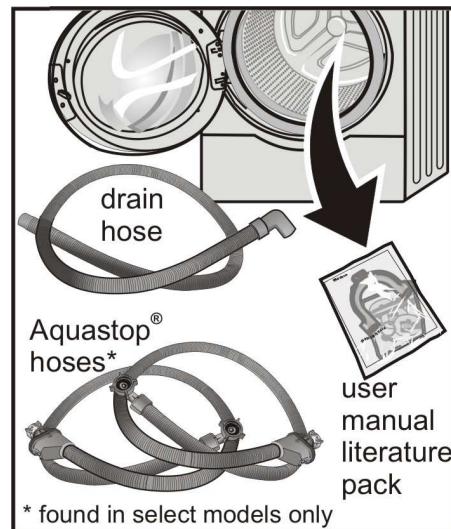


- Add detergent according to the degree of soiling, amount of laundry and water hardness, and follow the detergent manufacturer's instructions.

## Factory-supplied Equipment

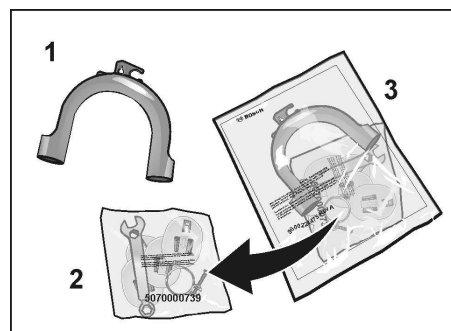
There is a packet of accessory parts supplied with your washer. Check that all the accessory parts supplied for your model are there. If any parts are missing, contact your dealer immediately.

### The drum contains:



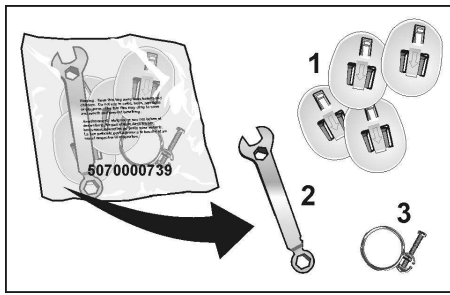
1. Water supply hose for cold water (blue marking).
2. Water supply hose for hot water (red marking).
3. Water drain hose.
4. User manual literature pack (see below)

### The literature pack contents include:



1. Elbow
2. Accessory parts bag
3. User manual





**The accessory parts bag contains:**

1. Covers to be placed over the holes for the transport bolts (after removing the transport bolts during washer installation).
2. Wrench for leveling.
3. Clamp for drain hose.

**On the back of the washer:**

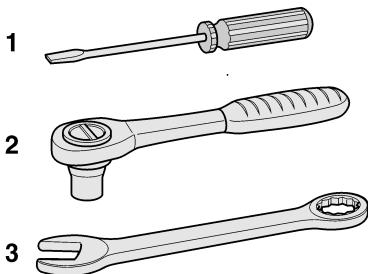


1. power cord with plug
2. hot and cold water connections
3. 4 shipping bolts

**Useful tools**

The following tools are helpful:

1. Flat head screwdriver.
2. Socket wrench 13 mm
3. Closed wrench 13 mm



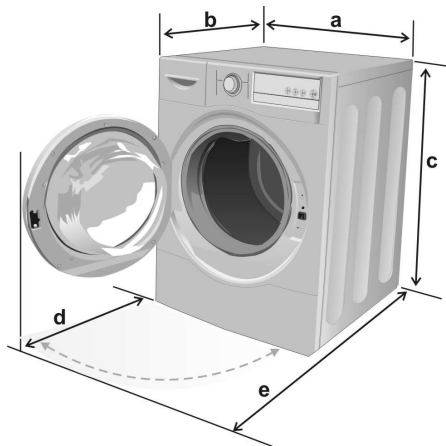
**NOTICE**

DO NOT push against the washer door glass. Risk of breakage!



Do not push against the door glass!

**Dimensions**



- a = 27.0 in. (68.7 cm)
- b = 29.7 in. (75.4 cm)
- c = 36.8 in. (93.5 cm) (minimum)\*  
37.8 in. (96.2 cm) (maximum)\*
- d = 20.7 in. (52.5 cm)
- e = 49.8 in. (126.3 cm)

\* height of appliance depends upon extension of height-adjustable feet. Minimum height is with feet turned all the way in, against the bottom of the washer. Maximum height is with feet extended as far as permitted (must leave thread of screw engaged enough for foot to be stable (1/4 inch / 6.4 mm) when extended).

Door opening angle 160°

Approx. weight = 220 lbs (100 kg)

**Installation area**

**WARNING**

Never ground the washer to plastic plumbing lines, gas lines or hot water pipes.

This appliance must be installed on a solid floor and well leveled due to the higher spin speeds available. If installing the machine on a wood floor over a basement or on a second floor, the floor may need to be reinforced. Sound, vibration, and risk of the washer “walking” will be influenced by the structure and stability of the floor surface where the appliance is installed.

- ❑ Soft floor surfaces, such as carpets or surfaces with foam backing, are not suitable. If possible, place the washing machine in a corner of the room.

If the washing machine is to be installed on a weak wood floor, consider the following:

- ❑ Screw a section of water-resistant plywood (at least 3/4” thick) to the floor. The plywood -should be sized to fit the footprint of the washer, approximately 27” wide x 29.7” deep, or 54” wide x 29.7” deep to extend underneath both the washer and the dryer for best results and even height of the appliances.
- ❑ Secure the feet of the washing machine with holding brackets. Order the holding brackets (set) from Bosch Customer Service (WMZ 2200).



## Accessories

### Pedestal Mounting Kit

A storage pedestal with a pull-out drawer is available as an accessory for your washer. The pedestal adds 15 inches to the height of the washer.

#### CAUTION

**Appliance must not be mounted on a pedestal in stacked installations.**

**part no. WTZ 1610** is for a solid white color pedestal.

**Other color pedestals may be available.**

Reference part no. WTZ 1610“X” in which the X designates an available color (eg: A for Anthracite, S for silver). Please inquire at your dealer for color choices available.

You may also consult a current product catalog or visit our website at: [www.boschappliances.com](http://www.boschappliances.com)

If mounting the washer on the pedestal, follow the instructions supplied with the pedestal.

**i** If mounting the washer on a pedestal, install the washer on the pedestal prior to removing the transport bolt assemblies from the rear of the washer (see page 11 for details).

### Stacking Kits

There are two stacking kits available.

#### Basic Stacking Kit

This kit anchors the dryer on top of the washer and adds approximately 0.63 inches (16 mm) to the stacked height.

**part no. WTZ 1601** is for the basic mechanical stacking kit.

#### Pull-Out Shelf Stacking Kit

This kit serves to stack the dryer on top of the washer and also provides a pull-out shelf. This kit adds approximately 1.5 inches (38.5 mm) to the stacked washer/dryer height.

This kit may also be combined with the pedestal accessory. The stacking kit will add approximately 1.52 inches and the pedestal will add approximately 15 inches to the height of the installed washer.

**i** The pedestal cannot be used for washer/dryer stacked installations.

**part no. WTZ 1600** is for the solid white pull-out shelf stacking kit.

**Other color pull-out shelf stacking kits may be available.**

Reference part no. WTZ 1600“X” in which the X designates an available color (eg: A for Anthracite, S for silver). Please inquire at your dealer for color choices available.

### Minimum Distances

Important information concerning minimum distances:

- If the washer is to be installed with a dryer so that the fronts of the appliances are to be flush with one another it is necessary to allow additional rear clearance for the dryer venting system. Depending on the location of the exhaust air connection, a minimum distance of 5 ¼ inch (13.4 cm) must be provided for ducts/brackets (see dryer installation instructions).
- Benefits of maintaining greater distance (clearances) than the minimum shown include:
  - reduction of the risk of mold formation behind the appliances.
  - reduced noise transmission
  - facilitation of installation and service.
  - more air cools the dryer, keeps the dryer from overheating, and improves drying performance.
- If the washer and dryer are to be installed in a small room, the doors of the room must be fitted with vents of a specified minimum size. Refer to the following illustrations of enclosed installations for additional information.
- Allow additional clearance for door, wall and window molding where necessary.

## Installation Types

Observe the following minimum clearances between the washer and adjacent surfaces for all installation types.

### Minimum Installation Clearances

<b>A</b> Sides	0.25 in. (6.4 mm)
<b>B</b> Top	0.25 in. (6.4 mm)
<b>C</b> Rear*	2.55 in. (64.8 mm)
<b>D</b> Front	0.50 in. (12.8 mm)

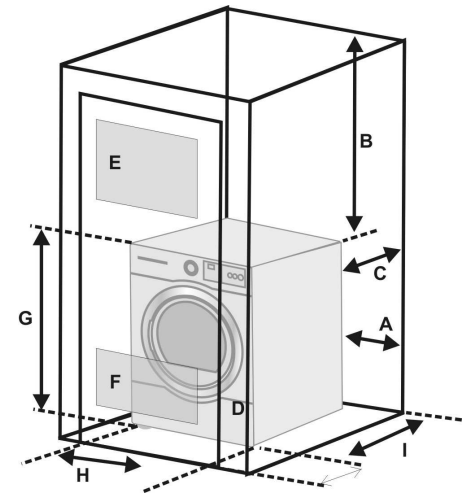
\* as close to wall as venting or water connection will allow. If installed with a dryer, the larger rear clearance for dryer venting is required for the laundry pair.

- Units are designed so the dryer can be stacked on top of the washer using one of the stacking kits shown on page 9.
- Units are designed to allow for under-counter installation, see required dimensions in under-counter installation section on page 10.

Height measurements shown in this section are with the washer feet at minimum extension (turned in all the way up against the base of the washer).

### Recessed or Closet

Dimensions for installation in a closet or recessed area are shown in the illustration below.



### Closet Ventilation Requirements

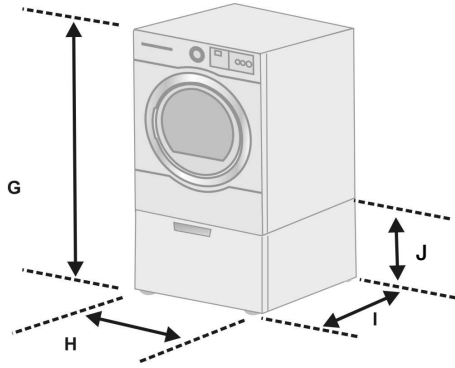
<b>E</b> Top	48 sq. in. (310 sq. cm)
<b>F</b> Bottom	24 sq. in. (155 sq. cm)

### Required Installation Space

<b>G</b> Height	37.25 in. (94.6 cm)
<b>H</b> Width	27.50 in. (69.9 cm)
<b>I</b> Depth	33.50 in. (85.1 cm)

## Mounted on Pedestal

Dimensions for pedestal mounting installation are shown in the illustration below.

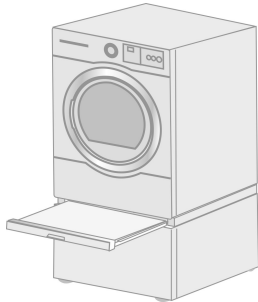


### Required Installation Space

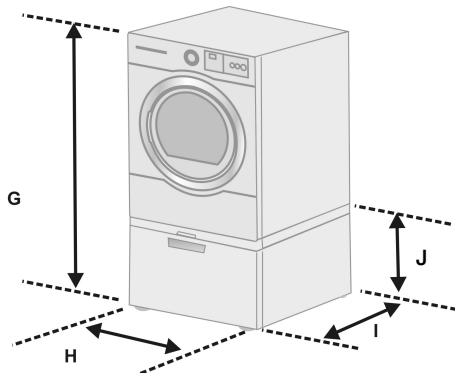
<b>G</b> Height	52.25 in. (132.7 cm)
<b>H</b> Width	27.50 in. (69.9 cm)
<b>I</b> Depth	33.50 in. (85.1 cm)
<b>J</b> Pedestal Ht.	15.0 in. (38.1 cm)

Appliance must not be mounted on a pedestal for under counter installations.

## Pedestal With Pull-Out Shelf



Dimensions for pedestal and pull-out shelf installation are shown in the illustration below.



### Required Installation Space

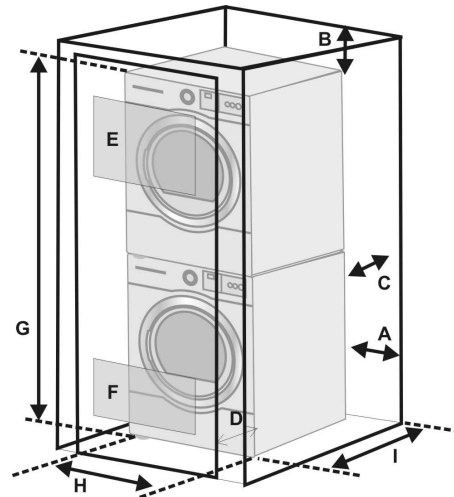
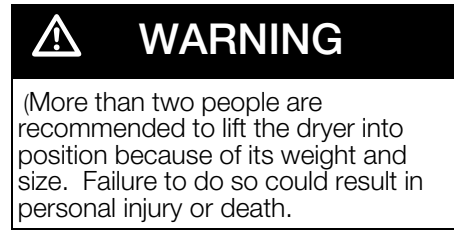
<b>G</b> Height	53.75 in. (136.5 cm)
<b>H</b> Width	27.50 in. (69.9 cm)
<b>I</b> Depth	33.50 in. (85.1 cm)
<b>J</b> Pedestal ht.	15.0 in. (38.1 cm)

Appliance must not be mounted on a pedestal for under counter installations.

## Stacked Washer and Dryer

Dimensions for stacked installation are shown in the illustration below.

There are two stacking kits available for stacking the dryer on top of the washer, see the "Accessories" section on page 9.



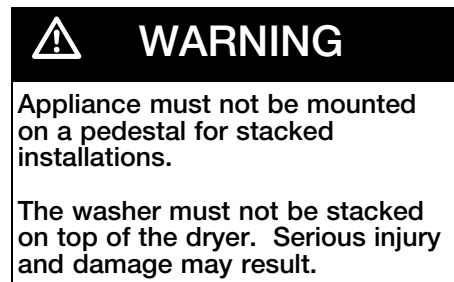
Clearance dimensions A through D are found on page 9.

### Closet Ventilation Requirements

<b>E</b> Top	48 sq. in. (310 sq. cm)
<b>F</b> Bottom	24 sq. in. (155 sq. cm)

### Required Installation Space

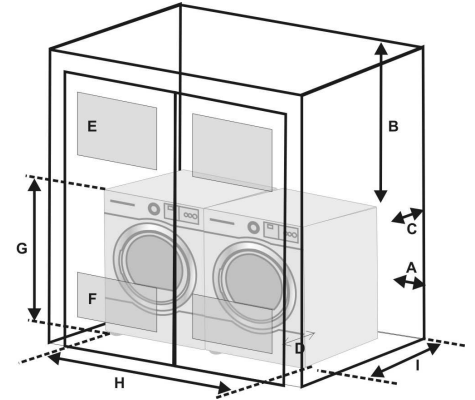
<b>G</b> Height*	74.50 in. (189.3 cm)
	* with basic stacking kit
Height**	76.02 in. (193.1 cm)
	** with pull-out shelf stacking kit
<b>H</b> Width	27.50 in. (69.9 cm)
<b>I</b> Depth	33.50 in. (85.1 cm)



Utilize care in sliding the stacked washer and dryer units into place. See the stacking kit installation instructions for further information.

## Side by Side

Dimensions for side by side recessed or closet installation are shown in the illustration below.



Clearance dimensions A through D are found on page 9.

### Closet Ventilation Requirements

<b>E</b> Top	48 sq. in. (310 sq. cm)
<b>F</b> Bottom	24 sq. in. (155 sq. cm)

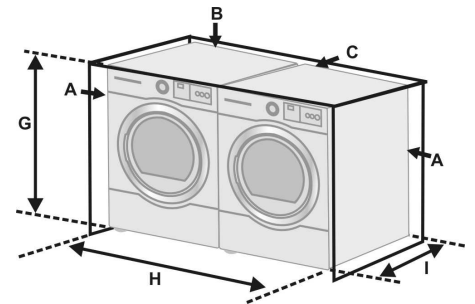
### Required Installation Space

<b>G</b> Height	37.25 in. (94.6 cm)
<b>H</b> Width	54.75 in. (139.1 cm)
<b>I</b> Depth	33.50 in. (85.1 cm)

Height Requirement if mounted on a pedestal 52.25 in. (132.7 cm)

## Under Counter

Dimensions for undercounter installation are shown in the illustration below.



Clearance dimensions A through D are found on page 9.

### Required Installation Space

<b>G</b> Height	37.25 in. (94.6 cm)
<b>H</b> Width	27.50 in. (69.9 cm)
Width*	54.75 in. (139.1 cm)
	* washer and dryer side by side
<b>I</b> Depth	33.50 in. (85.1 cm)

Appliance must not be mounted on a pedestal for under counter installations.

## Checklist for Installation

Page

**completely remove 4 transport bolt assemblies and move the washer into place** 11

connect the water supply lines and drain pipe 12

connect the electrical power 14

slide the washer into its final location 15

level the washer as low as possible 15

before first use, run a cleaning cycle 18

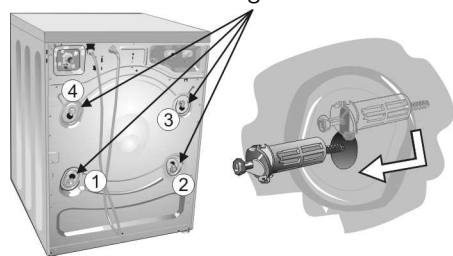
## Removing the transport bolt assemblies

### CAUTION

To avoid possible injury and damage to the appliance and adjacent surfaces, all four transport bolt assemblies must be removed before using the appliance. Retain the bolt assemblies for use in any future transport (e.g. when moving). If you have purchased a pedestal mounting kit, follow the installation instructions provided with it before removing the transport bolt assemblies.

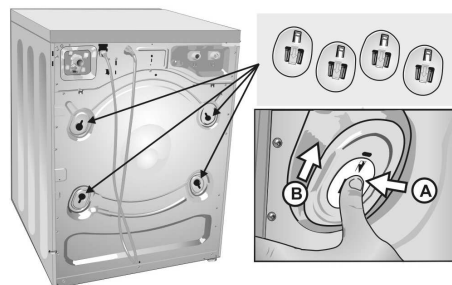
**i** If mounting the washer on a pedestal, install washer on the pedestal prior to removing the transport bolt assemblies.

1. Loosen all four bolt assemblies before removing any of the bolts all the way from the unit.
2. Remove the bottom two bolt assemblies prior to removing the top two bolt assemblies. Remove all four bolt assemblies in the order shown in the diagram below.



3. Loosen the bolt assemblies using the closed end of the 13mm wrench provided, or a 13mm socket wrench. Loosen them until they can be moved freely.

4. The bolt assemblies may be easier to remove using 13 mm socket wrench.
5. Pull the washer drum slightly forward towards the open washer door to reduce pressure on the transport bolt assemblies. Slide each loosened transport bolt assembly out of its retaining slot, then pull it out through the round hole in the housing. Completely remove all 4 transport bolt assemblies (each assembly consists of a bolt, a metal flat washer and a white plastic bushing).
6. If the bushings do not come out when removing the bolt assemblies, place the bolts back into the bushings and carefully try again. It is important to do this with the bolts, otherwise the bushings will not come out properly.
7. To store the bolt assemblies for future use, do not remove the bolts from the plastic bushings.

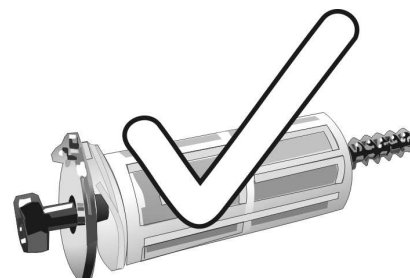


8. Position the plastic cover over the hole the transportation bolt assemblies occupied. Push the tab in (A) and slide the cover towards the small slot (B).

## Storing the transport bolt assemblies

Always keep the transport bolt assemblies for future transportation of the appliance (such as when moving).

- Store the transport bolt assemblies with the washer and bushing attached.



- Do not remove the bolt and washer from the bushing.



# Water connection

## Water supply

### NOTICE

The washing machine must only be operated with hot (max. 140 °F / 60 °C) and cold tap water. Do not connect the appliance to the mixer tap of an unpressurized hot-water boiler.

If in doubt, have the water connection installed by an authorized technician.

The water supply hoses must not be:

- Kinked, bent or flattened in such a way as to potentially diminish water flow.
- Modified or cut (integrity can no longer be guaranteed).

Periodic inspection and replacement of damaged or kinked hoses is recommended. Replacement of the water supply hoses after five years of use may help reduce the risk of hose failure.

### NOTICE

Properly secured EXTERNAL hose connections are the sole responsibility of the customer. The manufacturer assumes no responsibility or liability for improperly installed EXTERNAL hoses or other connections.

Observe the water pressure in the supply network:

- The water pressure should be between 20 and 120 p.s.i. (1.38 and 8.27 bar) when the faucet is turned on and at least 2.2 U. S. gallons (8 liters) of water should be discharged per minute.
- A pressure regulator valve must be installed if the maximum water pressure is exceeded.

### NOTICE

To prevent water damage, the hot and cold water valves should be accessible when the washing machine is in place and should always be turned off when the washing machine is not in use.

### NOTICE

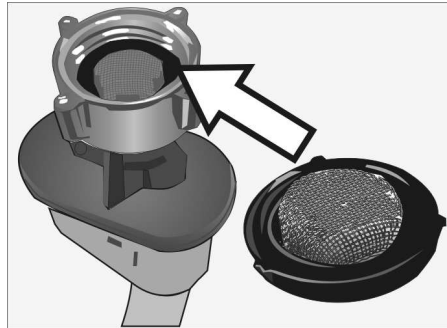
If installing the washing machine in a new building or a building in which the plumbing system was recently installed or upgraded, flush the lines before installing the washing machine to remove any sand, dirt or residue.

## Supply Line Connection

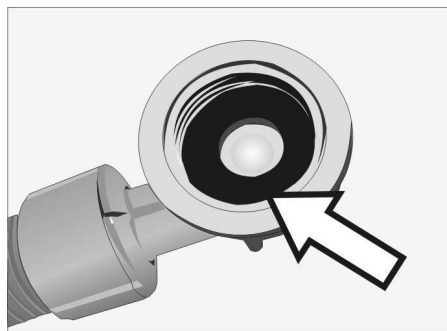
### C Cold water connection

### H Hot water connection (max. 140 °F / 60 °C)

- ❑ Do not remove the strainers from the water supply hoses.

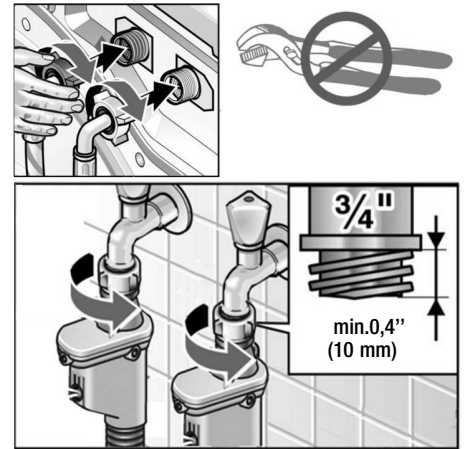


- ❑ Check to be sure the rubber washer/strainer is in the Aquastop™ hose prior to attaching the hose to the faucet. It is not necessary to remove the washer to clean the strainer. To clean, rinse under running water. If necessary, lightly wipe the wire mesh strainer to help dislodge any accumulated debris.



- ❑ Also check to be sure the rubber washer is present in the end of the Aquastop™ hose that attaches to the appliance.

- ❑ Plastic threads must only be tightened **by hand**. Connect the water supply hoses to the back of the washer.
- ❑ Tighten only metal-to-metal couplings (eg: connecting the Aquastop™ hose to the faucet) an additional two-thirds turn using pliers. Do not use pliers to tighten plastic thread fittings onto plastic or metal threads.



- ❑ After connecting, turn on the water completely and check that connection points are watertight.

## Hose Extension

The Aquastop™ hose may not fit in the space available at the wall faucet. A short extension hose (part no. 645787) is available without charge through customer service (see page 32).

## Other hoses

Available from appliance dealers:

- Extended supply hose (approx. 96.1 in. / 2.44 m).

### ⚠ CAUTION

The connection points are under full water pressure. Check seal with faucet fully open.

## AquaStop™

The AquaStop™ system is available in select models only. AquaStop™ protects against flood-type water leakage through the clothes washer. This is accomplished using a stop-valve in the AquaStop™ hose and a floating switch in the washer base.

If a leak is detected, the system is designed to shut off the water flow, minimizing leakage.

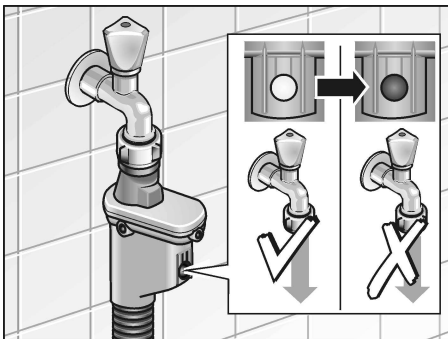
AquaStop™ is an internal containment technology, and does not protect against outside forces, such as home plumbing problems, or damage caused to the machine's hose (such as installation damage). The clothes washer must be level and turned "on" for proper functionality.

- ❑ The AquaStop™ feature is not active and will not operate if the cycle selector is in the "Off" position.
- ❑ The washer must be level for correct AquaStop® operation.

## AquaStop™ Hose

The AquaStop™ hose is an external containment technology that prevents potential flooding if the hose leaks.

If the AquaStop™ hose leaks, a red mark is displayed and the water inlet is blocked.



- ❑ An AquaStop™ hose that has activated cannot be reset. Contact Customer Service for a replacement hose (see page 32).

## Water drainage

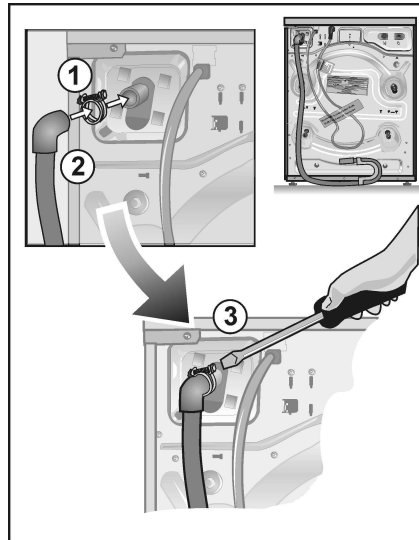
### NOTICE

Do not bend or pull the water drainage hose.

The drain pipe height should be no lower than 12 inches (30.5 cm) below the top of the washer and no higher than 5 feet (152.4 cm) from the top of the washer.

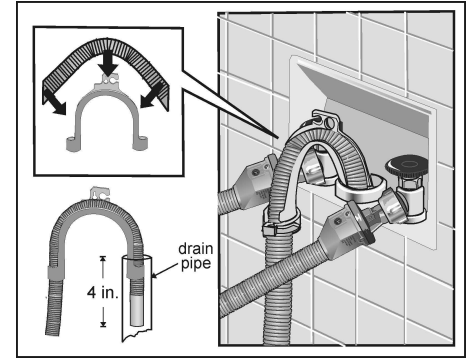
### Connecting the water drainage hose

- ❑ **Do not remove the screw from the clamp assembly.** Loosen the screw only enough so that the clamp will slide freely onto the water drain hose.
1. Place the hose clamp over the end of the drain hose before attaching the drain hose to the appliance.



2. Attach the drain hose to the drain hose connection on the back of the appliance; position the hose clamp approximately 3/8 inch (9 mm) from the end of the hose.
3. Tighten the clamp with a screwdriver.

## In-Wall Installation



- ❑ Attach the elbow to the end of the hose and insert the end of the hose into the wall drain approximately three and a half to four inches. Do not allow the hose to extend more than four inches into the drain pipe.
- ❑ The hose and elbow should be properly extended into the open drain pipe when seated as shown in the above picture. There should be a gap between the drain hose and the drain pipe to prevent pressure buildup.
- ❑ Use a strap or cable tie to hold hose in place. This is to keep the hose from coming out of the drain pipe during pump out. The hose can be tied to one of the water supply hoses, or other suitable nearby points.

# Electrical connection

## GROUNDING INSTRUCTIONS

This appliance must be grounded. In the event of damage or failure, grounding will reduce the risk of electrical shock by providing a path of least resistance for the electric current. This appliance features a cord with an equipment-grounding conductor and a grounding plug. The plug must be plugged into an appropriate outlet which has been properly installed and grounded in accordance with all local regulations and ordinances.

### WARNING

Improper connection of the equipment grounding conductor may result in electric shock. Have the appliance checked by a qualified electrician or service technician if you are in doubt as to whether the washer has been properly grounded.

Do not modify the plug provided with the appliance – if it will not fit in the outlet, have a proper outlet installed by a qualified electrician.

### WARNING

The washing machine must only be connected to an individual branch circuit via a socket which has been properly installed and grounded.

The household electrical voltage must correspond to the voltage specification on the washing machine (rating plate, see page 32).

Connection specifications as well as the required fuses/breakers are stipulated below:

Volts	Hertz	Amperes	Watts
110–120	60	15	1350 (max.)

Make sure that:

- the power plug fits into the socket.
- the wire size is sufficient (make sure the circuit uses the proper gauge wiring for the appliance requirements).
- the grounding system is properly installed.

The power cord may be replaced by an electrician only. Replacement power cords are available from Customer Service.

### WARNING

To reduce the risk of fire or electrical shock, DO NOT use an extension cord or an adapter to connect the washing machine to the power supply.

Use of a Ground Fault Circuit Interrupter (GFCI) is recommended. Do not insert/remove the power plug with wet or damp hands. Touch the plug only when removing the plug from the socket.



# Leveling Procedure

## Importance of Leveling the Washer

The high spin speeds realized by your high performance washer make leveling the washer during installation a critical issue to **reduce noise and vibration**.

The washer feet are height-adjustable and must be adjusted so the washer is level and each foot is seated firmly against the floor.

**If these procedures are not followed, the washer may experience severe vibration resulting in significant washer movement and excessive noise levels.**

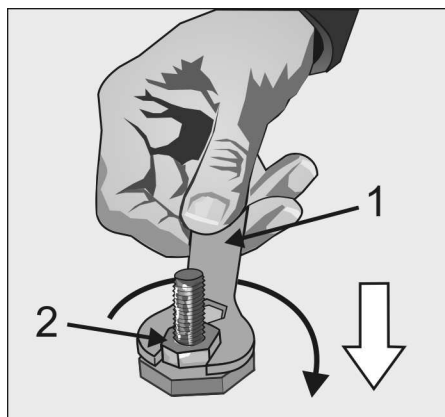
**i** Level the washer prior to stacking the dryer on it in a stacked washer/dryer installation.

## Important Actions During Leveling

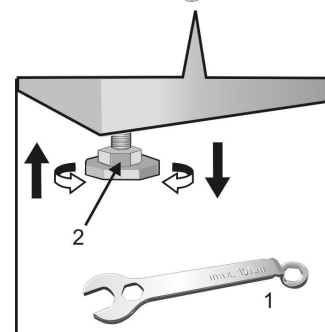
1. Prior to beginning the leveling procedure, move the washer into the final location where you will use it.
2. Do not push the washer across the floor with the washer leveling feet extended. This can damage the floor or the washer leveling feet.
3. Start with all four washer leveling feet turned all the way in so they are snug up against the bottom of the washer.
4. When leveling, keep the base of the washer as low to the floor as possible to reduce sound and vibration during use. Extend the washer leveling feet only as much as is necessary to level the washer.
5. Hold the washer foot (bottom rubber portion) with a 36mm (1 1/2 in.) wrench or a pair of slip-joint pliers while tightening the locknut up against the bottom of the washer. Do not allow the foot to turn. If the washer leveling foot is allowed to turn when tightening the locknut, the height of the washer on that corner will change.

## Leveling Procedure

1. With the washer in its final position, check to see if it is level. To do this, use a bubble level if one is available. An alternate method is to place a large bowl nearly full of water on the center of the top of the washer. The water should be about 1/2" (12.7 mm) from the top of the bowl. If the water is the same distance from the top of the bowl all the way around, the washer is fairly level.
2. Press down on each corner of the washer. The washer should feel firm when pressed down upon, there should be no "give" or movement.
3. If a corner of the washer moves downward when pushed down upon, it is necessary to extend the washer leveling foot under that corner. The foot should touch the floor firmly.
4. Use the 16 mm (5/8") wrench provided (1) to turn the locknut clockwise (2) to turn the locknut downward until it locks against the base of the foot. Once the locknut is tight against the foot, the foot will turn with it when the locknut is turned. This will allow you to extend the washer leveling foot.

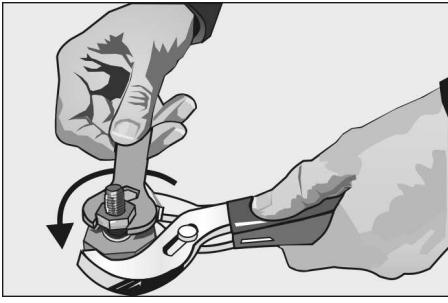


(figure above shows the washer leveling foot removed from the washer for clarity).



5. Turn the foot clockwise to extend it. Continue turning until the foot feels snug against the floor. Try pushing down on the corner of the washer again. When the washer corner does not move downward when pushed, lock the foot in place by tightening the locknut back up against the bottom of the washer.
6. Turn the foot counterclockwise to raise it. The foot can be turned with a 36 mm (1 1/2 in.) wrench or a pair of slip joint pliers. Do not attempt to raise the foot by turning the lock nut counterclockwise. Only turn the lock nut counterclockwise to lock it against the washer bottom when the leveling foot is correctly positioned.





7. Hold the lower rubber portion of the washer foot with a 36 mm (1 1/2 in.) wrench, or pair of slip joint pliers, to keep it from turning.

(figure above shows the washer leveling foot removed from the washer for clarity).

8. Use the 16 mm (5/8 in.) wrench to turn the locknut counterclockwise. **Turn the locknut until it locks in place against the bottom of the washer. The locknut should be tight against the bottom of the washer.** Do not over tighten.

**i Important:** Do not allow the washer leveling foot to turn when turning the locknut, or the height of the corner will be changed.

9. Repeat steps 2 through 7 for each washer leveling foot until the washer is level and all four feet press firmly against the floor.

The washer should not rock or move when pressing down on each corner. If it does move, repeat the process.

**i** If a washer foot must be raised (shortened), it may be necessary to reduce the weight on the foot so that it can be turned freely.

10. Periodically recheck the leveling status of the washer. Make sure that all four feet remain locked in place. If any rocking or movement of the washer is observed, recheck the leveling and the position of the washer leveling feet.

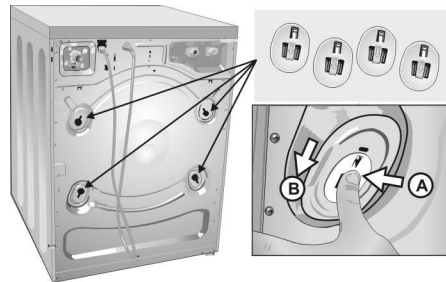
## Transporting the Washer

Before transporting the washing machine:

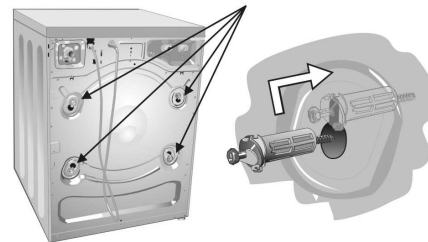
- Turn off the water.
- Disconnect the washing machine from the power outlet.
- Remove the supply and drainage hoses.
- Install the transport bolt assemblies (see section below).

## Preparing and inserting the transport bolt assemblies

- Remove all four transport bolt hole covers.



- Prepare the transport bolt assemblies: Loosen the screw in the sleeve until the end of the screw is level with the end of the sleeve.



- Insert and tighten all transport bolt assemblies. Make sure that the tab on the transportation bolt is inserted in the slot on the washing machine back panel.

# OPERATING INSTRUCTIONS

## Before using

**⚠ WARNING**

To reduce the risk of fire, electric shock, or injury to persons, read the **IMPORTANT SAFETY INSTRUCTIONS** before operating this appliance.

**⚠ WARNING**

Before using your washing machine, read and follow all installation and operating instructions.

## Panel

### Cycle selector

Switches the machine on and off and selects the program. Can be turned in both directions.

### Display field

Indicates the settings which have been selected or which are to be changed (e.g. spin speed, finished at, pre-soak, time and child lock) as well as the cycle progress.

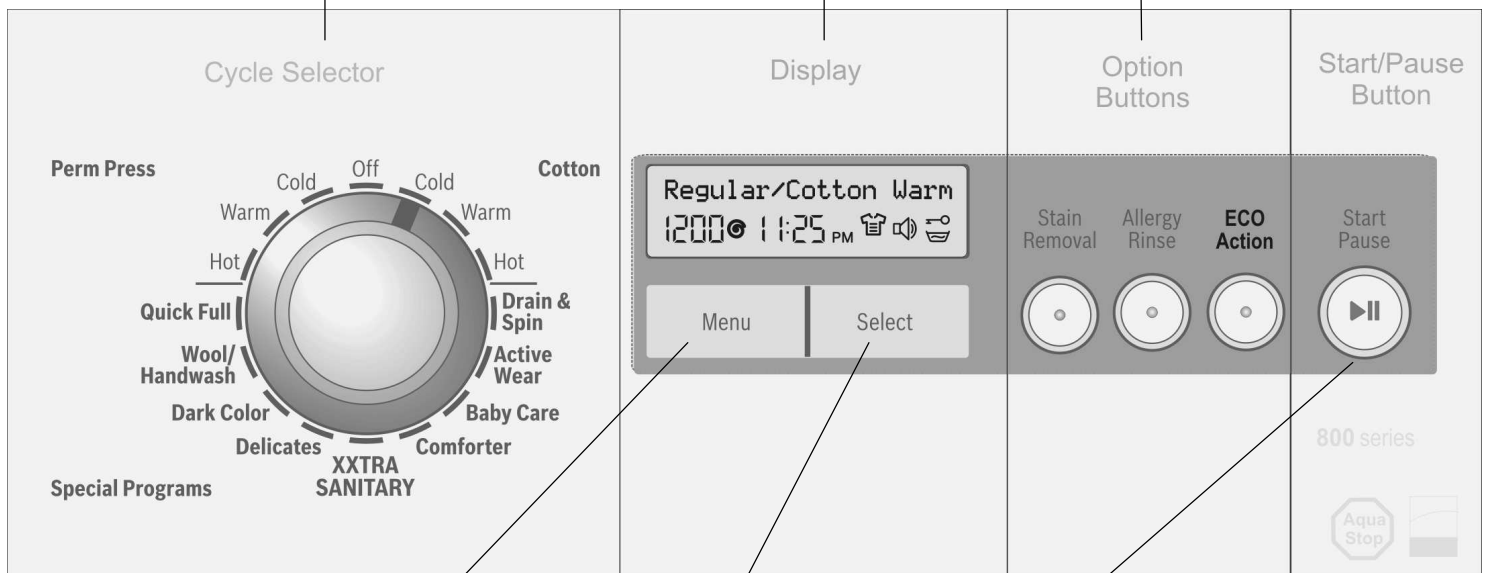
### Buttons for additional options

(in addition to the cycle if required)

**Stain Removal:** Additional washing time with additional temperature controls to better remove stains.

**Allergy Rinse:** Additional rinsing cycle.

**ECO Action<sup>®</sup>:** This option reduces the amount of energy used for the washing cycle.



### Menu

Selects the settings which are to be changed.

### Select

Changes the setting currently shown in the display (i.e. spin speed).

### Start/Pause button

Starts or interrupts the washing cycle (program must be selected before pressing Start/Pause).

### Start/Pause Indicator light

**flashes red:** Settings can be changed, the wash cycle can be started, the door is locked for reasons of safety, child lock is active or program is in "Pause" mode.

**lit red:** Program is running. "Pause" can be activated.

**off:** Program is finished or no program has been selected or the door is open.

## Before Using For the First Time

### WARNING

To reduce the risk of fire, electric shock, or injury to persons, read the **IMPORTANT SAFETY INSTRUCTIONS** before operating this appliance.

The washing machine must be installed and connected properly (refer to Page 7).

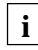
Turn the Cycle Selector to any cycle to turn the washer on and illuminate the display. Turn the Cycle Selector to "Off" to turn the washer off.

### WARNING

Before using your washing machine, read and follow all installation and operating instructions.

## Using For the First Time

### Setting the time

-  The time must be set before other settings can be made.

You can set the current time. The settings are retained even if your washing machine is not used for up to 6 weeks.

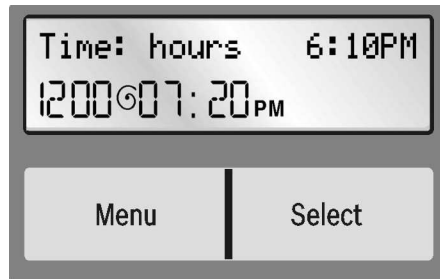
- Turn the cycle selector to any cycle.

#### Example:

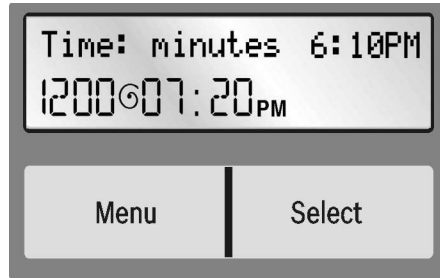


- Press the **Menu** button until "Time:" is displayed. The hours display flashes.

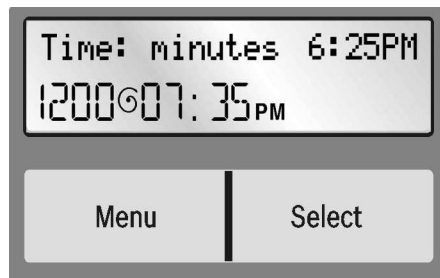
If no buttons are pushed within 10 seconds the display will revert back to normal "Ready". Changed settings will be retained.



- Press the **Select** button until the hour display is correct.



- Press the **Menu** button until the minutes display flashes.



- Press the **Select** button until the minute display is correct. The time is now set.

Press the **Menu** button, the menu function ends.

You can select other settings by pressing the **Menu** button and change them by pressing the **Select** button.

### Selecting the language

**The time must be set before the language can be changed**

The cycle selector must not be set to **Off**.

- Simultaneously press the **Menu** and **Select** buttons and hold down (5 seconds) until the current setting is displayed.



- Press the **Select** button until the desired language is displayed.
- Confirm the language selection by pressing the **Menu** button.

The language selection can be confirmed either by pressing the **Menu** button or by leaving the selected language displayed for five seconds.

### Display field

In the first line, the operating and cycle progress text is displayed at the left. The current time is displayed on the right whenever "Ready" is displayed on the left.

In the second line, the display indicates the spin speed and the time at which the cycle is expected to be finished, as well as symbols for Spin speed, Washing mode, Pre-Soak, Signal and Child lock.

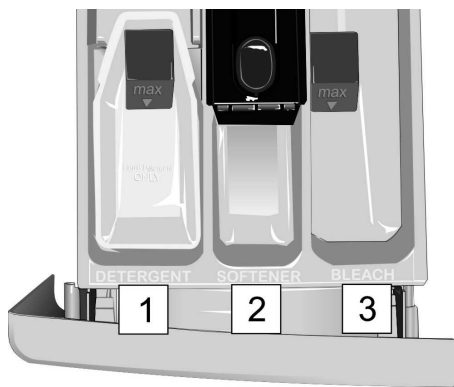
### First washing cycle (without laundry)

Your appliance was thoroughly tested before leaving the factory. A small amount of residual water may remain in the washer. To ensure a fresh wash with your initial load of clothes, first run the washer a complete cycle, without any laundry in the drum.

1. Do not load any laundry.
2. Turn on the water faucet.



3. Open the detergent dispenser drawer.



4. Pour 1–2 Tbsp. detergent into the main detergent compartment (1 in the preceding illustration).

Do not use special detergents for delicates or wool (this will cause excessive sudsing).

5. Close the detergent dispenser drawer.
6. Make sure the washer door is closed.
7. Set the cycle selector to **Regular/Cotton hot**
8. The **Start/Pause** indicator light flashes (red).
9. Press the **Start/Pause** button. The individual cycle steps are indicated in the display field.

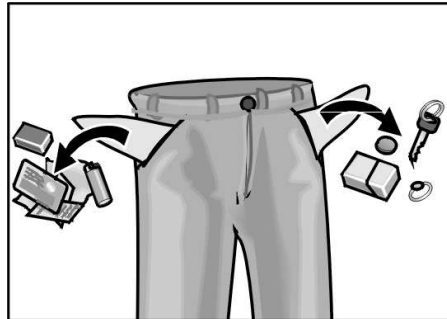
When “Remove laundry” is displayed:

- Open the door.
- Turn the cycle selector to **“Off”**.

## Preparing the laundry

### NOTICE

Loose debris (coins, paper clips, nails and other hard objects) can damage items of clothing as well as parts of the washing machine (e.g. drum).



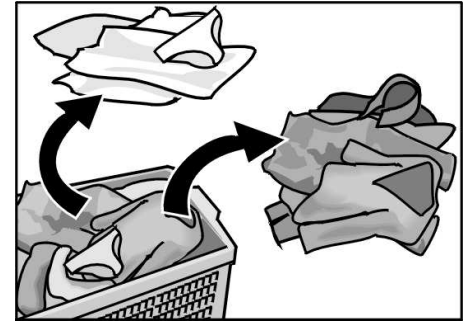
- Empty all pockets.
- Brush off lint and dirt.
- Close fasteners that could cause laundry to catch and become entangled. These include zippers, button up duvets (quilt covers) and any hooks such as on brassieres.
- Remove curtain rings or tie them up in a net bag.
- Remove pins, buttons, buckles and other hard objects to avoid scratching the washer interior.
- Remove non-washable trim and ornaments.
- Turn synthetic knitwear inside-out to avoid pilling (the formation of tiny balls of fluff common to knitted or woven fabrics).
- Treat spots and stains.

To prevent loss or damage to laundry and the machine, the following items can be washed only in a mesh laundry bag:

- Baby socks (small items)
- Hosiery
- Belts
- Underwired bras (due to risk of the wire coming loose during washing and causing appliance damage).

## Sorting the laundry

According to color and degree of soiling



### NOTICE

Items of clothing may become discolored. Never wash new multi-colored items together with other items.

White items may become gray if washed with dark items. Always wash white and colored items separately.

## Degrees of soiling

### Lighter Soiling

No recognizable dirt or staining. Laundry may have some body odor.

- Light summer clothing.
- T-shirts, shirts and blouses that have been worn for up to one day.
- Bed linen and guest towels that have been used for one day.

### Normal Soiling

Visible dirt and/or some light recognizable staining.

- T-shirts, shirts and blouses that are very sweaty or have been worn several times.
- Dish towels, hand towels and bed linen that have been used for up to one week.
- Sheer curtains (without smoke staining) that have not been washed for up to 6 months.

### Heavy Soiling

Dirt and/or staining recognizable.

- Kitchen hand towels that have been used for several days or show visible signs of soiling.
- Cloth napkins.
- Bibs.
- Children’s outer clothing or sportswear with grass and soil stains.
- Work clothes such as used for outdoor work or yard work.

### Typical stains

- Sauces, tea, coffee, red wine, fruit, vegetables.
- Blood, egg, milk, starch (containing protein/ carbohydrate).
- Soot, soil, sand (pigments), red clay.

### Removing stains

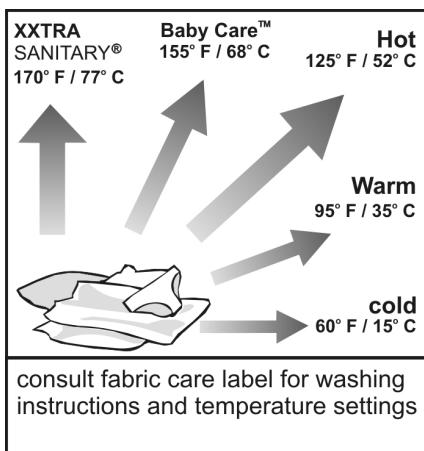
If possible, pretreat stains while they are still fresh.

First, dab soapy water onto the stain. Do not rub.

Subsequently, wash the items of clothing using the appropriate cycle.

Occasionally, several wash cycles may be required in order to remove persistent, dried-on stains.

### Sorting laundry according to care label specifications




### Fabric Types

- Machine Wash, Cottons 
- Machine Wash, Permanent Press 
- Machine Wash, Delicates 
- Hand Wash 

### Temperatures

- Cold 
- Warm 
- Hot 

Do not wash clothes in washing machine if the care label says "Do Not Wash" or the DO NOT WASH symbol  is on the care label.

### Loading the laundry

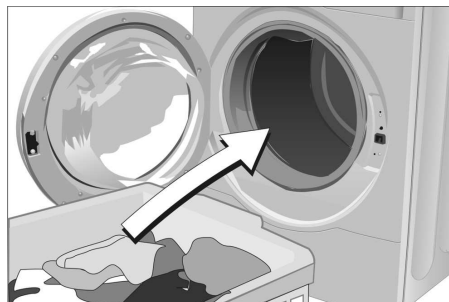
#### WARNING

TO AVOID EXPLOSION HAZARD! Items of clothing that have been pretreated with solvent-based cleaning agents, e.g. stain remover and dry cleaning solvents, represent an explosion hazard once loaded into the washing machine. Therefore, these items must first be rinsed thoroughly by hand.

#### NOTICE

Loose debris in the washing machine drum can damage the laundry. Before loading the laundry, check that there is no debris in the drum.

- Open the door.



- Place items loosely into the drum. Mix up large and small items. Items of varying size will distribute better during the spin cycle.

For best results, it is recommended to load the drum depending on the fabric type.

#### Full Load

Cotton and Linens

#### ½ Load

Permanent Press, Synthetic Blends and Knitwear

#### ⅓ Load

Wool, Delicates, Silk

Do not exceed the maximum load for the selected cycle. Overloading will cause poor wash results and will increase wrinkling.

- Load the drum at least half full for Cotton and Permanent Press cycles. Small loads will tend to create an unbalance condition.
- Close the door completely. The door should close easily. It should not be necessary to force the door to close.

- i** Do not trap any items of clothing between the door and rubber seal.

## Laundry Detergents and Additives

### Adding the correct amount of detergent

#### WARNING

TO AVOID RISK OF POISONING! Keep detergents and additives out of the reach of children.

Measure out the detergent (powder or liquid) according to:

- The water hardness. This information can be obtained from your local water authority. Soft water requires less detergent.
- The amount of laundry.
- The degree of soiling. Information on soiling can be found on Page 19.
- The specifications of the detergent manufacturer. Measuring the correct amount of detergent reduces the strain on the environment and ensures optimum washing results.

#### Too little detergent:

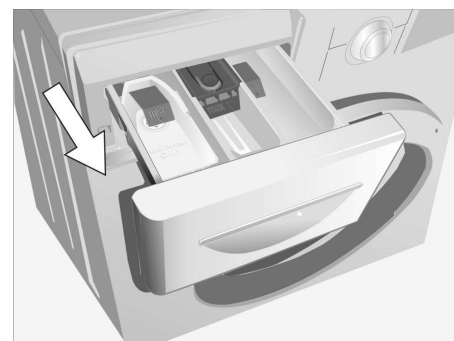
The laundry is not cleaned properly and will eventually become gray and stiff. Grayish brown spots may appear on the laundry. The heater may calcify.

#### Too much detergent:

Excessive suds reduce wash agitation producing poor washing and rinsing results and may prevent proper spinning.

### Filling laundry detergent and/or additives

- Open the detergent dispenser drawer.

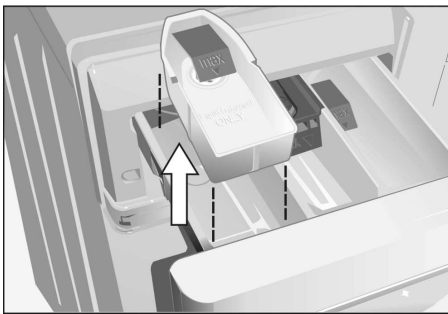


- ❑ Add the **liquid** detergent and/or additive. First check to be sure the liquid insert is present in the detergent compartment (1). If using a powder detergent, see the note below on removing the liquid detergent insert.



Do not overfill the compartment to avoid early dispensing.

- i** **DO NOT operate the washer without the detergent drawer in place and fully closed!**
- ❑ If using a powder detergent, first remove the liquid detergent insert from compartment 1.



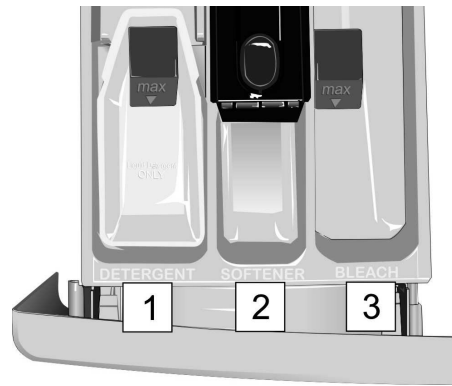
- ❑ Store the liquid detergent insert for later use.

**We recommend HE detergents because they are designed to achieve optimum performance with your front-loading washer. Not using HE detergent could cause problems such as oversudsing, extended cycle periods, or a decrease in wash performance.**

**Look for the HE logo (pictured below) on the front of your detergent product.**



## Detergent Dispenser Compartments



### 1 Detergent Compartment

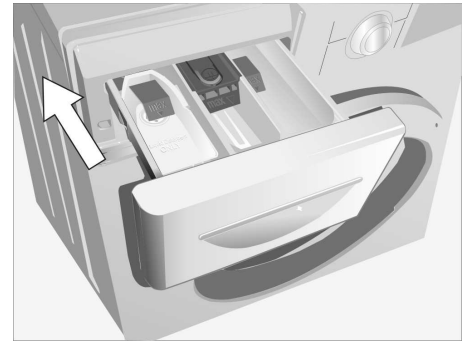
- Use to add detergent to the wash load.
- Liquid detergent should only be used with the liquid detergent insert in place.
- Add only the correct measured amount of detergent to avoid oversudsing.
- DO NOT overfill – for liquid detergent, stop at the fill level marked as “max” on the siphon cap (see illustration above).
- At the beginning of the wash cycle, the detergent is flushed from the dispenser into the wash.
- If using powder detergent, first remove the liquid detergent insert

### 2 Fabric Softener Compartment

- Add the recommended amount of fabric softener.
- DO NOT overfill – stop at the fill level marked as “max” on the siphon cap (see illustration above).
- Overfilling can cause the softener to be dispensed early
- DO NOT pour fabric softener directly into the wash load.
- The fabric softener will automatically be dispensed during the last rinse cycle.  
Do not use fabric softener with outdoor fabrics (ie: rubberized or waterproof materials).

### 3 Bleach Compartment

- Add the correct measured amount of liquid chlorine bleach, or color safe bleach, to this compartment.
- DO NOT overfill – stop at the fill level marked as “max” on the siphon cap (see illustration).
- Overfilling can cause the bleach to be dispensed early, which could result in damage to the laundry load.
- DO NOT pour undiluted liquid chlorine bleach directly on the laundry to avoid fabric damage.
- The bleach will be automatically dispensed at the proper time during the wash cycle.  
Concentrated or thick fabric softener, conditioner and powder-bleach must be diluted with a little water before being poured into the dispenser. Bleach may cause discoloration of the washer’s colored surfaces. It is important to keep bleach away from the colored surfaces of your washer. Use a moist paper towel to clean up any spilled bleach.



- i** **Close the detergent dispenser drawer before starting any cycle. Please make sure the drawer is fully closed.**

## Decolorizing

### NOTICE

Dyes may contain sulphur or chlorine. These substances may cause parts of the washing machine to corrode. Do not dye items of laundry in the washing machine.

# Cycles and Options

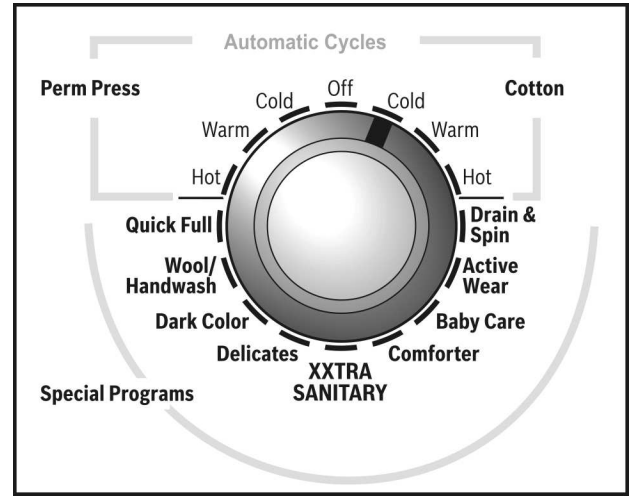
For optimum washing results, your washer offers several cycle groups and additional options.

**Automatic Cycles** include Regular/Cotton and Permanent Press. Program selection is based in part on the laundry fabric type.

**Cycle times will vary depending on cycle selected, temperature and pressure of incoming water, water hardness, size of load, type of fabrics and amount of detergent used.**

**Special programs** are custom designed for special wash needs or specific types of fabric.

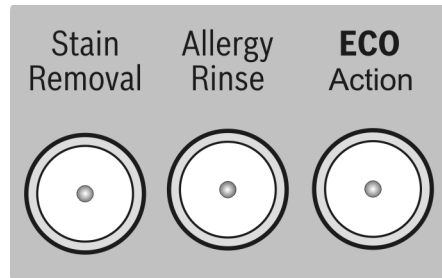
**Additional options** may be selected by pressing one of the panel option buttons.



## Maximum spin speeds of the cycles

Revolutions per minute	Type of laundry/Extra cycle
1200	Regular/Cotton
800	Permanent Press
600	Delicates
400	Wool/Handwash
600	Comforter
900	Quick Full
600	Dark Color
1200	XtraSanitary <sup>®</sup>
1200	Baby Care <sup>™</sup>
800	Active Wear <sup>™</sup>
1200	Drain & Spin

## Option Buttons



### Stain Removal

The Stain Removal option is recommended for use with heavily soiled clothes that require the removal of tough, ground-in, protein-based stains. It is not recommended to use the Stain Removal option when laundering normal or lightly soiled clothes.

### Allergy Rinse


When this button is pressed, an additional rinsing cycle will be added to the selected cycle. The second rinse helps to remove stubborn allergy irritants.

### ECO Action<sup>®</sup>

This option reduces the amount of energy consumed by up to 20%. This option is not available for cold cycles.



# Cycle Selection Table

Automatic cycles		
<b>Regular/Cotton</b>		
For cotton or linen.	Type	Soiling
<b>Hot</b>	sturdy, hard wearing items made of cotton or linen such as work clothes and underwear	normally and/or heavily soiled colorfast fabrics
<b>Warm</b>	sturdy, hard wearing items made of cotton or linen such as jeans, T-shirts and sweatshirts	lightly and/or normally soiled non-colorfast fabric
<b>Cold</b>	sturdy, hard wearing items made of cotton or linen (colors that may bleed or fade)	lightly soiled non-colorfast fabric
<b>Permanent press</b>		
Easy-care (drip-dry) laundry	made of synthetic and blended fabric (e.g. , cotton/polyester).	Soiling
<b>Hot</b>	cotton, permanent press, linen, synthetic or blended fabrics and outer garments	normally soiled colorfast items
<b>Warm</b>	non-colorfast cotton, permanent press, linen, synthetic or blended fabrics and outer garments. Clothes such as blouses, shirts, overalls	lightly and/or normally soiled items
<b>Cold</b>	non-colorfast cotton, permanent press, linen, synthetic or blended fabrics and outer garments. Clothes such as blouses, shirts, overalls	lightly and/or normally soiled items
Special Programs		
<b>Quick Full</b>	Very short cycle designed to wash a full load of very lightly soiled garments.	
<b>Wool/Handwash</b>	Hand Wash settings are intended for very delicate easy care items that usually require hand washing. These cycles have been specifically designed to provide extremely gentle treatment of fabrics. Silk or other items marked with the "Hand Wash" symbol  on the care label can be safely washed with this cycle.	
<b>Dark Color</b>	Specially designed for dark color fabrics, this program reduces fading and wrinkling.	
<b>Delicates</b>	Delicates settings are intended for use with delicate easy care items made of cotton, satin, synthetic or blended fabrics and curtains, dresses, skirts and blouses.	
<b>XtraSanitary<sup>®</sup></b>	This program was specifically designed to eliminate most common household bacterium. Used for heavily soiled and/or stained colorfast fabrics that need to be sanitized, such as, towels, underwear, socks, bed sheets, table clothes, etc.	
<b>Comforter</b>	Specially designed program for large/bulky items. Extra water is used to ensure complete wetting and gentler spins to reduce stretching.	
<b>Baby Care<sup>™</sup></b>	Regular/Cotton settings are intended to be used for heavily soiled and/or stained colorfast fabrics. Sturdy, hard-wearing items made of cotton or linen such as towels, sheets or white sports socks.	
<b>Active Wear<sup>™</sup></b>	Designed to care for synthetic fabrics used in most exercise-related garments (eg. nylon, polyester, blends and spandex.	
<b>Drain &amp; Spin</b>	Water is drained followed by a high speed spin	
	Rinse & Spin – Select <b>Drain &amp; Spin</b> , add the option "Allergy Rinse". A rinse is added, water is drained followed by a high speed spin	

**i** Do not wash new multicolored laundry together with other laundry.

# LCD Menu Options and Special Features

## Quick overview

The individual settings may be adjusted to your requirements.

Below is a quick overview of the adjustable settings.

The steps for changing the settings are described in detail below.

Select a cycle with the cycle selector							
Press the <b>Menu</b> button (following selections appear in sequence)							
Spin speed	Program finish at time**	Washing Mode	Reduced Ironing	Pre-Soak	Signal	Child lock	Set clock
Depends on cycle and model (see Page 22).	Adjustable in 30 minute steps	Normal Quick	OFF ON	OFF ON	OFF Continuous Max	OFF ON	Hours/ minutes
allows reduction of the maximum spin speed achieved by the cycle  See note on "No final spin" below*	allows the cycle finish time to be set  ** Available only if clock is set (see page 18)	quick mode for lighter soiled items and a shorter wash time	a gentle spin speed with subsequent fluffing to reduce creasing	an integrated pre-soak cycle for pre-treatment of heavily stained items	the acoustic signal indicates the start or end of the cycle, operating errors, or malfunction	allows the washer to be secured to prevent certain functions from being changed inadvertently	clock must be set before the cycle option "finish at" time can be used

### \*No final spin ("---")

The water is drained from the machine after the final rinse. Recommended for delicate laundry. Use this setting to avoid creasing if the clothing cannot be taken out of the washing machine immediately upon completion of the cycle.

Press **Select** button until desired setting is obtained

Press **Menu** button for more settings or press **Start/Pause** button to begin washing

## Changing Displayed Settings

Before setting additional options, choose a cycle with the cycle selector.



Select settings by pressing the **Menu** button and change them by pressing the **Select** button.

Select the option to be changed with the "Menu" button. Press the button to move to the next option on the display. The active symbol starts flashing.

The current active option setting is displayed on the right.

These settings can now be changed with the "Select" button. Press the button to jump to the next possible setting.

Pressing the "Menu" button again, saves the previous settings. If no button is pressed for 10 seconds the settings are saved automatically.

### Signal Volume

The acoustic signal volume is user-adjustable. "Continuous" setting allows the signal volume to be gradually increased by pressing and holding the Select button in during Signal setup. When the volume is at its maximum level, the display switches from "Continuous" to "Max". Select the Signal by pressing the Menu button to cycle through the menu options.

## Display Symbols

Symbol	Function	Settings
	<b>Washing Mode</b>	Normal Wash
		Quick Wash
	<b>Stain Removal</b>	On/Off
	<b>Pre-Soak</b>	On/Off
	<b>Signal</b>	Off, Continuous, Max
	<b>Child lock</b>	On/Off

Symbols are only displayed in the LCD panel if the respective setting is not "Off".

## Child lock

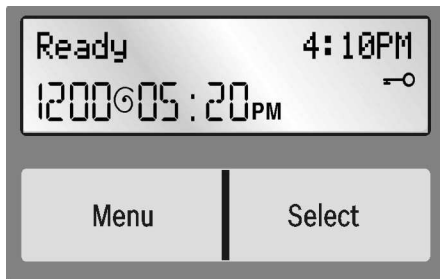
You can secure your washing machine to prevent selected functions from being changed inadvertently (see quick overview of individual settings, page 24).

If Child lock has been selected:

- No changes can be made while the cycle is running.
- The door remains locked at the end of the cycle.

### Starting a cycle with “Child lock: on”

- ❑ Turn the cycle selector to the desired cycle.
- ❑ Load the laundry and close the door.  
The **Start/Pause** indicator light flashes.



- ❑ Press the **Start/Pause** button and hold down (5 seconds). The cycle starts. The indicator light is lit. Child lock is activated.  
To deactivate Child lock press the Start/Pause button again (for 5 seconds) until the Start/Pause indicator light flashes. Now you can change cycles or options. Press the Start/Pause button to reactivate Child lock.

## Pausing the cycle to Add/Remove Laundry

- ❑ Press the **Start/Pause** button and hold down (5 seconds). Child lock is deactivated and the cycle will be interrupted.  
A running cycle with Child lock activated can be stopped by turning the cycle selector to “Off”. The interrupted cycle will continue when the machine is turned on again.

### Unloading laundry at the end of a cycle with “Child lock: on”

- ❑ Press the **Start/Pause** button and hold down (5 seconds). You can open the door and remove laundry. The Child lock setting remains activated even if you switch off the appliance.  
Next time you switch on the appliance Child lock is activated. The door is locked and no changes can be selected. Press the Start/Pause button (for 5 seconds) to open the door.

### Deactivating Child lock

- ❑ Turn the cycle selector to the desired cycle to switch on the appliance.
- ❑ Press the **Menu** button until “Child lock: on” is displayed. The “**—o**” symbol flashes.
- ❑ Press the **Select** button until “Child lock: off” is displayed. You can set Child lock on/off before starting a cycle or in “Pause” mode only.

## Special features

### Auto Load adjust

“Auto Load adjust” adjusts the water and energy consumption for each cycle and determines the amount of laundry.

This process is built into your machine and occurs automatically.

The result is a reduction in water and energy consumption when washing small loads.

### AVS™ Anti-Vibration System Unbalanced load detection

The AVS™ automatic unbalanced load detection system determines whether or not the load is correctly balanced for spinning. If the load is not evenly distributed, the spin will be restarted. If after a pre-determined number of attempts the load cannot be balanced the spin will be aborted and the cycle resumed.

### Displayed Time

When a cycle has been selected, the expected cycle time is displayed.

The following will affect the displayed time:

- Load size
- Repeated spin attempts to evenly distribute load
- Additional rinse cycles if excessive foam occurs
- Low water pressure
- Selection of additional options, e.g. “Allergy Rinse”

Due to these and other characteristics of the controls, the actual cycle time will vary.

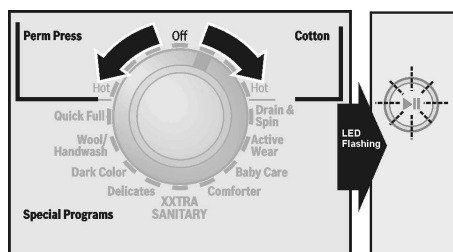
You may notice that these effects (more or less time) change the displayed time when they occur in the cycle. If no options are selected and these effects do not occur, the time indicated will be the time that the cycle will finish.

## During Washing

The washer drum system may experience a slight shudder or shake as the drum accelerates to higher spin speeds due to normal laundry imbalance.

### Re-selecting a cycle

- ❑ If Child lock is active, temporarily deactivate it (see page 25).
- ❑ Turn the cycle selector to **Off**.
- ❑ Turn the cycle selector to a newly selected cycle.



The **Start/Pause** indicator light flashes.

- ❑ If required, change the settings. (see Page 25).
- ❑ Press the **Start/Pause** button. The cycle starts.

### Add a garment / Interrupting the cycle

You can put laundry in the drum after washing begins, take laundry out of the drum early or interrupt the cycle at any time.

It is not recommended to add laundry after the washing phase is complete.

#### Without Child lock

You can add or reduce laundry as long as the **Start/Pause** indicator light flashes and it is safe to do so.

- ❑ Press the **Start/Pause** button. The following displays are indicated in succession: "Pause", "Door can be opened".
- ❑ Open the door.
- ❑ Add/remove the laundry.
- ❑ Close the door.
- ❑ Press the **Start/Pause** button. The cycle continues. The indicator light is lit.

When the **Start/Pause** indicator light is illuminated, the cycle can be interrupted, however in some cases the door will not be unlocked for safety reasons (high water level, water temperature or drum speed). If the speed is too high, the **Start/Pause** indicator light is illuminated. Laundry can be added in "Pause" mode when the drum is at a standstill.

### Child lock activated

Refer to the Child lock section, (see page 25).

### Canceling the active cycle

If you would like to terminate a cycle and remove the laundry:

- ❑ Press the **Start/Pause** button
- ❑ If Child Lock is active, it is necessary to press and hold down the Start/Pause button for five seconds
- ❑ If the load is too wet, turn the cycle selector to **Drain/Spin** and run the cycle using a spin speed appropriate for the laundry type (see pg. 22 for suggested spin speeds).

If a cycle is interrupted at a high temperature, the door will remain locked until the temperature in the drum has cooled down.

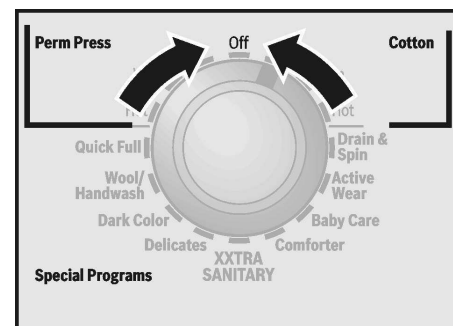
If the cycle is terminated by switching the appliance to "Off", the door will remain locked until the appliance is switched back on. Turn the cycle selector to any other cycle. The door will unlock after approximately 5 seconds.

## After Washing

The **Start/Pause** indicator light turns off.

Display field: "Remove laundry".

- ❑ Open the door.



- ❑ Turn the cycle selector to **Off**.



- ❑ Close the faucets.
- ❑ Remove the laundry.

### NOTICE

To avoid the risk of rust, check for foreign objects (e.g. coins, paper clips) between the drum and rubber door seal.

- i** After washing, leave the washer loading door open for 24 hours to allow the inside of the washing machine to dry.

# User Maintenance Instructions

## Cleaning and Care

### WARNING

To reduce the risk of fire, electric shock, or injury to persons, read the **IMPORTANT SAFETY INSTRUCTIONS** before operating this appliance.

### WARNING

**TO AVOID RISK OF ELECTRIC SHOCK!** Always disconnect the appliance from the power outlet before cleaning. Never clean the washing machine with a pressure washer.

### WARNING

**TO AVOID RISK OF EXPLOSION!** Never use flammable solvents to clean the appliance.

## Cleaning the appliance housing and control panel

As required:

- Use hot, soapy water or a mild, non-abrasive cleaning agent.
- Dry with a soft towel.

## Cleaning the drum

If rust spots have formed due to left-over debris (e.g. coins, paper clips, nails):

- Use a chlorine-free cleaning agent. Follow the manufacturer's instructions. Never use steel wool.

## Cleaning the Door Gasket

After washing, wipe the gasket to remove residual water or detergent.

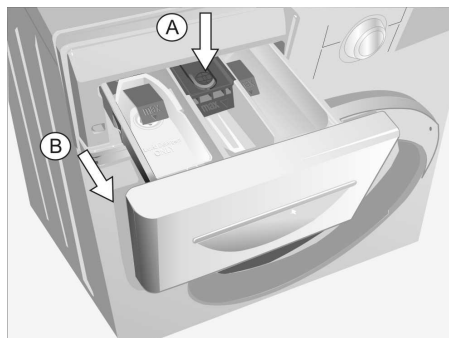
Mold or odor issues can result if water or detergent is allowed to remain on the gasket.

- Allow the drum to air out after washing by leaving the door partially open. This will allow air to circulate and help dry out any remaining moisture in the drum or on the gasket.

## Cleaning the detergent dispenser

If residual detergents or additives have accumulated or if softener/bleach are not fully rinsed out:

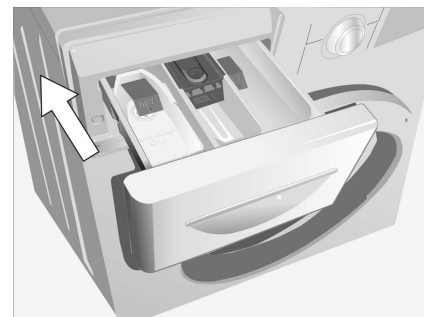
- Pull open the detergent dispenser drawer. Press down (A) to release the drawer catch. Remove the drawer from the appliance.



- Remove the liquid detergent insert by pulling it upwards from the detergent drawer.



- Clean the detergent dispenser by inserting it under warm running water. Lightly wipe away any remaining detergent residue.



- Reinsert the liquid detergent insert if using liquid detergent. Slide the detergent dispenser drawer back into place and close it completely.

**i** **DO NOT operate the washer without the detergent drawer in place and fully closed!**

## Cleaning water inlet strainers

This is necessary if very little or no water flows into the washing machine.

Cleaning is recommended every 6 months to reduce valve blockage in areas using hard water.

## First release the water pressure in the supply hoses:

- Turn off the water faucets.
- Turn the cycle selector to any warm cycle.
- Press **Start/Pause** button and wait for 30 seconds.
- Turn the cycle selector to **Off**.

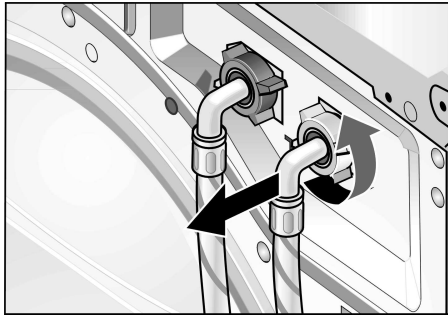
## Cleaning the strainers at the water faucet

On both the hot and cold water faucet:

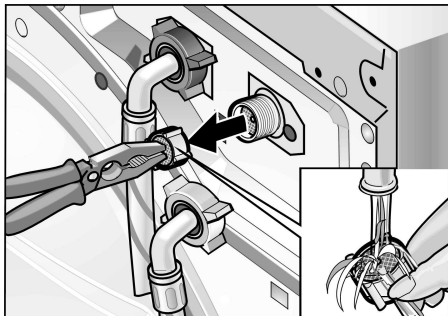


- ❑ Disconnect the hose from the water faucet.
- ❑ Rinse the strainer under running water.
- ❑ Reconnect the hose.

## Cleaning the strainers on the washing machine



- ❑ Disconnect the hose from the back of the washing machine.

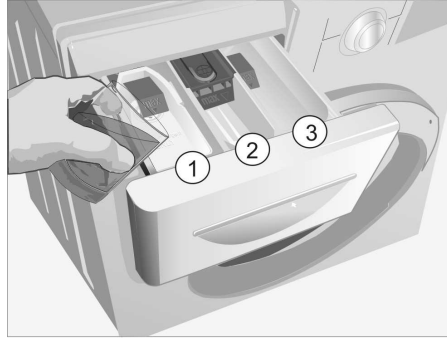


- ❑ Pull out the strainer and rinse under running water.
- ❑ Insert the strainer and reconnect the hose.
- ❑ Turn on the water faucets and check that there are no leaks. If water is leaking, check that the strainer is properly attached.
- ❑ Turn off the water faucets.

## Cleaning Tips

It is recommended that a small amount of household bleach be run through the washer every 3 months.

With no laundry in the machine, run the machine as follows:



- ❑ Pour 1/2 cup of bleach in the detergent compartment (1) of the dispenser
- ❑ Run a Regular/Cotton Hot cycle

## Descaling the washing machine

### NOTICE

Descaling agents contain acids which may attack parts of the washing machine and discolor the laundry.

Provided that you use the correct type of detergent, it is not necessary to descale the washing machine.

If white spots, lime or mineral deposits appear on the interior of the washing machine drum you can use a descaling agent to remove them.

However, if the appliance has to be descaled, please follow the instructions provided by the descaling agent manufacturer.

# Troubleshooting of Minor Faults

## WARNING

TO AVOID  
RISK OF ELECTRIC SHOCK!  
Repairs should only be carried out  
by an authorized technician.

If repairs are necessary, and you cannot eliminate the fault yourself with the aid of the table below, follow these steps:

1. Turn the cycle selector to **Off**.
2. Disconnect the washing machine from the power outlet.
3. Turn off the water faucets.
4. Call Customer Service (refer to Page 32).

Troubleshooting items listed below may not be covered by warranty service!

Please carefully rule out any of these issues before calling for service.

Fault	Possible cause	Action
Cycle duration extended.	This is not a fault. The suds detection feature has activated an additional rinsing cycle to reduce the amount of suds.	Add a more appropriate amount of detergent.
	This is not a fault. The unbalance compensation system is attempting to balance the load through repeated spins.	Always load the drum with large <b>and</b> small items together.
	This is not a fault. The laundry load may be large, requiring more time.	Allow additional washing time for larger loads.
The door cannot be opened.	Child lock activated.	Deactivate child lock; (see Page 25)
	Power failure.	An interrupted cycle will be resumed when power is restored. If the laundry is to be removed during a power failure, call Customer Service (refer to Page 32).
	Cycle is running and/or the door is locked for safety reasons.	Wait until the cycle ends (see Page 26).
	Plug is loose or not inserted.	Eliminate the cause.
	Cycle selector turned to <b>Off</b> before end of cycle.	Select a cycle.
Door cannot be opened, even though the appliance has been switched off and on again.	Child lock activated.	Deactivate child lock (see Page 25).
	For safety reasons the door has been locked because the water level, temperature or high drum speed.	See "Adding to the laundry/Interrupting the cycle", Page 26 .
Cycle continues running, even though the appliance has been switched off and on again.	Child lock activated.	Deactivate child lock (see Page 25).
Appliance cannot be operated. "Child lock activated" as indicated in the display field.	Child lock activated.	Deactivate child lock (see Page 25).
Control lights do not light up.	A fuse has blown.	Reset circuit breaker.
	Power failure.	Call Customer Service if this fault recurs. An interrupted cycle will be resumed when power is restored. If the laundry is to be removed during a power failure, call Customer Service (see page 32).
Cycle does not start. <b>Start/Pause</b> indicator light flashes.	Start/Pause button not pressed.	Press the <b>Start/Pause</b> button.
Cycle does not start. "Check Door !" indicated in the display field.	Door not closed properly.	Check whether laundry is trapped in door.
		Close the door (a click should be heard). cycle continues.



<b>Fault</b>	<b>Possible cause</b>	<b>Action</b>
Cycle does not start. "Real Time delay" is indicated in the display field.	End time selected and activated.	None. Appliance starts automatically.
Clock cannot be set.	Cycle has already started; when a cycle has started, the clock cannot be set.	Wait until cycle ends.
"Set clock:" text remains in the display field even though the <b>Menu</b> button has been pressed.	The setting has switched from hours to minutes; both selection points have the same text.	None.
No time displayed.	Time not set.	Set time (see Page 18).
End time cannot be selected.	Time not set.	Set time (see Page 18).
	Cycle has already started; when a cycle has started, the end time can no longer be selected.	Before starting the cycle, select and start the desired end time (see Page 24).
Spin speed cannot be selected.	Spinning is already in progress; during spin cycle the speed cannot be changed.	Select speed before spinning.
Child lock cannot be selected.	The cycle has already started.	Child lock can be selected in pause mode.
Detergent residue in the detergent dispenser.	Detergent was damp or lumpy.	Clean and dry the detergent dispenser (see Page 27).
		Use the cap of the detergent bottle to measure liquid detergents.
Water does not enter the machine or detergent is not washed away. "Check water faucet!" indicated in the display field.	Water faucet not turned on.	Turn on water faucet. Cycle continues.
	Supply hose kinked or pinched.	Eliminate the cause.
	Strainers in supply hose clogged.	Clean the water inlet strainers (see Page 27).
	Aquastop <sup>®</sup> Hose safety feature activated.	Check for safety indicator (see page 13). If red, replace hose.
	Aquastop <sup>®</sup> is triggered	Close water faucet and investigate leak.
Water cannot be seen in drum.	This is not a fault.	
	The water level is below the visible part of the drum.	
Washing solution has not drained completely. "Suds or blocked pump?" indicated in the display field.	Suds	Use less detergent for future wash loads. Detergents specifically designed for your High Efficiency washer produce fewer suds and will include the letters "HE" on the packaging.
	Pump is blocked	Clean the water drainage pipe and/or drain hose.
Water is flowing out from underneath the machine.	The thread of the supply hose is not tight.	Tighten the thread.
	Leak in the drain hose.	Replace the drain hose.
Suds coming out of the detergent dispenser.	Too much soap or non-HE soap used, pump could not remove suds.	Mix 1 tablespoon of fabric softener with 1 pt (½ litre) of water and pour into the detergent compartment (do not do this with outdoor (waterproof) fabric)
		Use less detergent for future wash loads. Detergents specifically designed for your High Efficiency washer produce fewer suds and will include the letters "HE" on the packaging (look for the "HE" symbol).
Repeated spinning.	This is not a fault. The unbalanced load detection system is attempting to balance the load through repeated spins.	Always load the drum with several large <b>and</b> small items together.
The laundry was not spun. (Laundry is still wet).	Load size too small.	Add more laundry.

<b>Fault</b>	<b>Possible cause</b>	<b>Action</b>
The laundry was not spun. (Laundry is still wet).	Large items of clothing have become entangled and could not be distributed evenly in the drum. For reasons of safety the high-speed spin cycle was automatically prevented.	Always load the drum with several large <b>and</b> small items together.
	Excessive suds due to too much detergent, non-HE detergent used	Mix 1 tablespoon of fabric softener with 1 pint (1/2 liter) of water and pour into the main detergent dispenser chamber; reduce the amount of detergent used; use HE detergent. (look for the "HE" symbol).
Unsatisfactory washing result.	The degree of soiling was higher than estimated.	Select suitable cycle or <b>Stain removal</b> as an additional option.
	Not enough detergent.	Add detergent according to the manufacturer's specifications.
Detergent residue on the laundry.	Some phosphate-free detergents contain water-insoluble residues that may appear as light spots on the laundry.	Brush off spots when laundry is dry.
Gray residue on the laundry.	Dirt accumulation from ointments, fats or oils.	Add the maximum amount of detergent and select the highest permissible temperature.
System shakes or shudders when passing from lower to higher speed spinning.	Drum system suspension can shift during speed up, this is not a failure.	Mix small and large laundry pieces in load to minimize this effect. Make sure the unit is level, see page 15.

## Fault displays

<b>Text in display field</b>	<b>Possible cause</b>	<b>Action</b>
"Check water tap!"	Water faucets not turned on.	Turn on water faucet. cycle continues.
	Supply hose kinked or trapped.	Eliminate the cause.
	Strainer in supply hose clogged.	Clean the water inlet strainers (see Page 27).
	Water pressure too low.	Eliminate the cause.
	AquaStop <sup>®</sup> Hose safety feature activated.	Check for safety indicator (see page 13). If red, replace hose.
"Suds or blocked pump?"	Too much detergent used or pump is blocked.	Use less detergent for future wash loads. Detergents specifically designed for your High Efficiency washer produce fewer suds and will include the letters "HE" on the packaging.  Clean the water drainage pipe and/or drain hose.
"Check Door!"	Door not closed properly.	Check whether laundry is trapped in door. Close the door.
"AquaStop <sup>™</sup> Activated"	AquaStop <sup>™</sup> is triggered	Close water faucet and investigate the leak.  Locate and resolve the leak. Check all connections. Contact Customer Service to reset AquaStop <sup>™</sup> (refer to Page 32).

If the fault cannot be eliminated with the aid of the above table, switch the appliance off, wait 5 seconds, switch the appliance on again, select and start the cycle.

If the fault continues, call customer service; see Page 32.

# Customer Service

The washing machine requires no special care other than the care and cleaning noted previously. If you are having a problem with your washing machine, please refer to page 29 before calling for service.

If service becomes necessary, contact your dealer or installer or an authorized service center. Do not attempt to repair the appliance yourself. Any work performed by unauthorized personnel may void the warranty.

If you are having a problem with your washing machine and are not pleased with the service you have received:

- ❑ First, please contact your installer or the Authorized Service Contractor in your area and explain to them why you are not satisfied. This will usually correct the problem.
- ❑ If after working with your installer or service technician the problem still has not been resolved to your satisfaction, please let us know either by writing to us at:

BSH Home Appliances  
5551 Mc Fadden Ave.  
Huntington Beach, CA 92649

or calling us:  
1-800-944-2904

If writing or calling, please provide the following information:

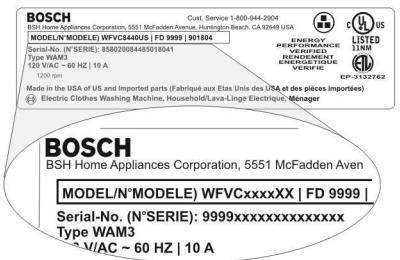
- Model Number
- Serial Number
- Date of Original Purchase
- Date Problem occurred
- Explanation of Problem

If writing, please also include a daytime telephone number and a copy of the sales invoice.

You will find the model number and serial number on the rating plate located on the housing and is visible with the door open.

The image below shows the approximate location of the rating plate. The model number has a rectangle around it. The serial number is located below the model number.

An example is shown below.



The manufacturer reserves the right to make changes in the product or manual without notification.

# STATEMENT OF LIMITED PRODUCT WARRANTY

Bosch Vision™ Clothes Washer

**What this Warranty Covers & Who it Applies to:** The limited warranty provided by BSH Home Appliances Corporation (Bosch) in this Statement of Limited Product Warranty applies only to the Bosch Vision™ Clothes Washer (“Product”) sold to you, the first using purchaser, but strictly conditioned on the Product having been purchased: (1) for your normal, household (non-commercial) use, and has in fact at all times only been used for normal household purposes (any commercial use or setting of the Product automatically voids the warranty); (2) new at retail (not a display, “as is”, or previously returned model) purchased directly by the end-user consumer, and not for resale, or commercial use; and (3) within the United States or Canada, and has at all times remained within the country of original purchase. The warranties stated herein apply only to the first purchaser of the Product and are not transferable. Bosch reserves the right to request proof of purchase at the time any warranty claim is submitted to confirm that the Product falls within the scope of this limited product warranty. The warranty is automatically void if the Product was a display model, sold “as is”, tampered with, a damaged or “scratch and dent” model, or a previously returned model, a free give-away, charitable donation or contest prize.

- Please make sure to return your registration card; while not necessary to effectuate warranty coverage, it is the best way for Bosch to notify you in the unlikely event of a safety notice or product recall.

**How Long the Warranty Lasts:** Bosch warrants that the Product is free from defects in materials and workmanship for a period of three hundred sixty-five (365) days from the date of purchase. The foregoing timeline begins to run upon the date of purchase, and shall not be stalled, tolled, extended, or suspended, for any reason whatsoever.

**Repair/Replace as Your Exclusive Remedy:** During this warranty period, Bosch or one of its authorized service providers will repair your Product without charge to you (subject to certain limitations stated herein) if your Product proves to have been manufactured with a defect in materials or workmanship. If reasonable attempts to repair the Product have been made without success, then Bosch will replace your Product (upgraded models may be available to you, in Bosch’s sole discretion, for an additional charge). All removed parts and components shall become the property of Bosch at its sole option. All replaced and/or repaired parts shall assume the identity of the original part for purposes of this warranty and this warranty shall not be extended with respect to such parts. Bosch’s sole liability and responsibility hereunder is to repair manufacturer-defective Product only, using a Bosch-authorized service provider during normal business hours. For safety and property damage concerns, Bosch highly recommends that you do not attempt to repair the Product yourself, or use an un-authorized servicer; Bosch will have no responsibility or liability for repairs or work performed by a non-authorized servicer. If you choose to have someone other than an authorized service provider work on your Product, **THIS WARRANTY WILL AUTOMATICALLY BECOME NULL AND VOID.** Authorized service providers are those persons or companies that have been specially trained on Bosch products, and who possess, in Bosch’s opinion, a superior reputation for customer service and technical ability (note that they are independent entities and are *not* agents, partners, affiliates or representatives of Bosch). Notwithstanding the foregoing, Bosch will not incur any liability, or have responsibility, for the Product if it is located in a remote area (more than 100 miles from an authorized service provider) or is reasonably inaccessible, hazardous, threatening, or treacherous locale, surroundings, or environment; in any such event, if you request, Bosch would still pay for labor and parts and ship the parts to the nearest authorized service provider, but you would still be fully liable and responsible for any travel time or other special charges by the service company, assuming they agree to make the service call.

## Extended Limited Warranty:

LENGTH OF WARRANTY	SCOPE OF WARRANTY
2 Year Limited Warranty From Date of Purchase	Bosch will provide replacement parts, free of charge, for any component part that proves defective under conditions of normal home use during the first two years from the date of purchase, normal (non-expedited) shipping costs included, labor charges excluded.
2 Year Limited Warranty on Electronics From Date of Purchase	Bosch will repair or replace, free of charge, any microprocessor or printed circuit board that proves defective under conditions of normal home use during the first two years from the date of purchase, labor charges excluded.
2 Year Limited Warranty on Motor From Date of Purchase	Bosch will repair or replace, free of charge, any motor or component part of the motor that proves defective under conditions of normal home use during the first two years from the date of purchase, labor charges excluded.

**Out of Warranty Product:** Bosch is under no obligation, at law or otherwise, to provide you with any concessions, including repairs, pro-rates, or Product replacement, once this warranty has expired.

**Warranty Exclusions:** The warranty coverage described herein excludes all defects or damage that are not the direct fault of Bosch, including without limitation, one or more of the following: (1) use of the Product in anything other than its normal, customary and intended manner (including without limitation, any form of commercial use, use or storage of an indoor product

outdoors, use of the Product in conjunction with air or water-going vessels); (2) any party's willful misconduct, negligence, misuse, abuse, accidents, neglect, improper operation, failure to maintain, improper or negligent installation, tampering, failure to follow operating instructions, mishandling, unauthorized service (including self-performed "fixing" or exploration of the appliance's internal workings); (3) adjustment, alteration or modification of any kind; (4) a failure to comply with any applicable state, local, city, or county electrical, plumbing and/or building codes, regulations, or laws, including failure to install the product in strict conformity with local fire and building codes and regulations; (5) ordinary wear and tear, spills of food, liquid, grease accumulations, or other substances that accumulate on, in, or around the Product; and (6) any external, elemental and/or environmental forces and factors, including without limitation, rain, wind, sand, floods, fires, mud slides, freezing temperatures, excessive moisture or extended exposure to humidity, lightning, power surges, structural failures surrounding the appliance, and acts of God. In no event shall Bosch have any liability or responsibility whatsoever for damage to surrounding property, including cabinetry, floors, ceilings, and other structures or objects around the Product. Also excluded from this warranty are scratches, nicks, minor dents, and cosmetic damages on external surfaces and exposed parts; Products on which the serial numbers have been altered, defaced, or removed; service visits to teach you how to use the Product, or visits where there is nothing wrong with the Product; correction of installation problems (you are solely responsible for any structure and setting for the Product, including all electrical, plumbing or other connecting facilities, for proper foundation/flooring, and for any alterations including without limitation cabinetry, walls, floors, shelving, etc.); and resetting of breakers or fuses. TO THE EXTENT ALLOWED BY LAW, THIS WARRANTY SETS OUT YOUR EXCLUSIVE REMEDIES WITH RESPECT TO PRODUCT, WHETHER THE CLAIM ARISES IN CONTRACT OR TORT (INCLUDING STRICT LIABILITY, OR NEGLIGENCE) OR OTHERWISE. THIS WARRANTY IS IN LIEU OF ALL OTHER WARRANTIES, WHETHER EXPRESS OR IMPLIED. ANY WARRANTY IMPLIED BY LAW, WHETHER FOR MERCHANTABILITY OR FITNESS FOR A PARTICULAR PURPOSE, OR OTHERWISE, SHALL BE EFFECTIVE ONLY FOR THE PERIOD THAT THIS EXPRESS LIMITED WARRANTY IS EFFECTIVE. IN NO EVENT WILL THE MANUFACTURER BE LIABLE FOR CONSEQUENTIAL, SPECIAL, INCIDENTAL, INDIRECT, "BUSINESS LOSS", AND/OR PUNITIVE DAMAGES, LOSSES, OR EXPENSES, INCLUDING WITHOUT LIMITATION TIME AWAY FROM WORK, HOTELS AND/OR RESTAURANT MEALS, REMODELLING EXPENSES IN EXCESS OF DIRECT DAMAGES WHICH ARE DEFINITELY CAUSED EXCLUSIVELY BY Bosch, OR OTHERWISE. SOME STATES DO NOT ALLOW THE EXCLUSION OR LIMITATION OF INCIDENTAL OR CONSEQUENTIAL DAMAGES, AND SOME STATES DO NOT ALLOW LIMITATIONS ON HOW LONG IMPLIED WARRANTY LASTS, SO THE ABOVE LIMITATIONS MAY NOT APPLY TO YOU. THIS WARRANTY GIVES YOU SPECIFIC LEGAL RIGHTS, AND YOU MAY ALSO HAVE OTHER RIGHTS, WHICH VARY FROM STATE TO STATE. No attempt to alter, modify or amend this warranty shall be effective unless authorized in writing by an officer of BSH.

**How to Obtain Warranty Service:** To obtain warranty service for your Product, you should contact the nearest Bosch authorized service center.

**BSH Home Appliances Corporation** – 5551 McFadden Avenue, Huntington Beach, CA 92649 / 800-944-2904

# Dispositifs et avantages de votre nouveau lave-linge

## Technologie ActiveClean™

La technologie ActiveClean™ de Bosch optimise le processus de lavage à chaque phase du cycle en détectant le volume de linge, le niveau d'eau et les exigences en matière de température pour donner des résultats de qualité supérieure. Les capteurs numériques sont sensibles à tous les tissus, y compris la laine, le mohair et la soie. Cette machine fonctionne pratiquement sur simple pression d'un bouton.

## Technologie EcoSmart™

La technologie EcoSmart™ du lave-linge Bosch Vision™ utilise un réseau de capteurs pour les cycles qui consomment le moins d'énergie possible tout en maintenant une performance de lavage de qualité supérieure. Ce lave-linge s'ajuste au volume de linge et règle la température afin d'éviter les surchauffes. Il n'est donc pas étonnant que la marque Bosch soit la marque la plus performante sur le marché.

## EcoAction®

Cette option vous donne la possibilité de réduire la consommation d'énergie d'un taux pouvant atteindre 20 %. La sélection de cette option permet de réduire la température afin d'économiser les ressources tandis que la durée de lavage est légèrement prolongée pour assurer un lavage efficace.

## Système de lavage ActiveWater™

Les lave-linge Bosch Vision™ équipés du système de lavage ActiveWater™ sont les seuls à pouvoir laver avec 13 gallons d'eau seulement tout en lavant avec la puissance de nettoyage de 400 gallons ! Bosch Vision profite de chaque goutte d'eau en permettant à l'eau de se déverser plus rapidement et d'asperger continuellement le linge.

## Élimination des taches

Cette option unique débute chaque cycle par un remplissage d'eau froide et chauffe l'eau à toutes les températures de lavage les plus élevées pour éliminer les taches. Chaque type de tache étant éliminée moyennant une température différente particulière, seul le lave-linge Bosch Vision doté de l'option d'élimination des taches peut agir contre toutes sortes de taches en une seule machine de linge.

## Système de charnière et de joint exclusif

La charnière renforcée et notre joint d'étanchéité de conception unique permettent de retenir la chaleur afin que la lessive atteigne la température optimale pour éliminer même les taches les plus tenaces.

## Distributeur de détergent à jet à trois compartiments

Un distributeur à 3 compartiments déverse automatiquement le détergent, l'agent de blanchiment et le produit assouplissant exactement au bon moment.

## Cycle XtraSanitary®

Grâce à ce cycle novateur, un système intelligent contrôlé par un thermostat chauffe l'eau à 170° F. Les vêtements sont parfaitement lavés et désinfectés et 99,99 % des bactéries ménagères les plus courantes sont éliminées.

## Cycle BabyCare™

Les plus petits de la maison sont souvent responsables des taches les plus tenaces. Ce cycle chauffe l'eau de lavage à 150° F afin d'éliminer facilement même les taches les plus rebelles.

## Pales Bosch exclusives

Pendant le culbutage du linge, les pales font couler l'eau en cascade du haut de la machine et éliminent la mousse par rinçage pour assurer un nettoyage uniforme et complet. Notre tambour en acier inoxydable optimise les performances que chaque chemise soit correctement brassée.

## Tambour en acier inoxydable

Le tambour du lave-linge Vision™ est doté de centaines de trous double perforation à bords lisses permettant à vos vêtements d'être malaxés en douceur sans risque de s'accrocher.

## Réchauffeur d'eau interne

Un élément chauffant interne chauffe l'eau à 180° F alors qu'un capteur de température numérique surveille en permanence la température de l'eau. Les lave-linge Bosch Vision™ fournissent le mode de chauffage de l'eau le plus efficace et précis pour chaque type de tissu sélectionné.

## Fonctionnement silencieux

Les lave-linge Bosch utilisent des moteurs sans balais suspendus, des systèmes de pompe isolés et un matériau insonorisant spécial qui leur permettent de rester exceptionnellement silencieux en fonctionnement. Cela signifie qu'ils peuvent être installés pratiquement n'importe où à l'intérieur de la maison sans gêner personne. Le logiciel de contrôle du déséquilibre spécial de Bosch élimine les conditions de déséquilibre génératrices de bruit.

## Système antivibrations AVS™

Le système antivibrations AVS™ réduit les vibrations même pendant les cycles d'essorage à vitesse élevée pour un fonctionnement tout en douceur presque silencieux. De sorte que même si le lave-linge Vision™ est installé à l'étage au-dessus, vous pouvez ne jamais savoir qu'il est là.

## AquaStop™

Aquastop™ est un système de sécurité de rétention interne conçu pour assurer une protection contre les fuites de type débordement et réduire les possibilités de dégâts occasionnés par l'eau lorsque le lave-linge est en marche et qu'il fonctionne.

## Tuyau AquaStop™

Le tuyau AquaStop™ arrête l'écoulement de l'eau en cas de détection d'une fuite de type débordement.

# Table des matières

Définitions .....	37
<b>INSTRUCTIONS DE SÉCURITÉ IMPORTANTES</b> .....	<b>37</b>
INSTRUCTIONS DE MISE A LA TERRE .....	39
<b>INSTRUCTIONS D'INSTALLATION</b> .....	<b>40</b>
Introduction .....	40
Informations sur la mise au rebut .....	40
Protection de l'environnement / Questions d'écologie .....	40
Conformité d'utilisation .....	40
Équipement fourni d'origine .....	41
Dimensions .....	41
Lieu d'installation .....	42
Enlèvement des boulons de transport .....	44
Branchement de l'eau .....	45
Branchement électrique .....	47
Ajustage horizontal .....	48
Transport du lave-linge .....	49
<b>INSTRUCTIONS D'UTILISATION</b> .....	<b>50</b>
Le bandeau de commande .....	50
<b>Avant d'utiliser l'appareil pour la première fois</b> .....	<b>51</b>
<b>Utilisation pour la première fois</b> .....	<b>51</b>
Réglage de l'heure .....	51
Sélection de la langue .....	51
Premier cycle de lavage (sans linge) .....	51
Préparation du linge .....	52
Tri du linge .....	52
Degrés de salissures .....	52
Chargement du linge .....	53
<b>Produits lessiviels et additifs de lavage du linge</b> .....	<b>53</b>
Ajouter la bonne quantité de détergent .....	53
Remplir les compartiments à produits lessiviels et/ou à additifs .....	54
Décoloration .....	55
<b>Cycles et fonctions</b> .....	<b>56</b>
Boutons des options (Stain Removal, Allergy Rinse, ECO Action) .....	56
Tableau de sélection de cycle .....	56
<b>Options du menu ACL et fonctions spéciales</b> .....	<b>58</b>
Récapitulatif rapide Aperçu rapide (Vitesse d'essorage, Terminer à l'heure, Mode de lavage, Repassage réduit, Prêtempage, Signal, Réglage horloge) .....	58
Volume du signal .....	58
Fonctions spéciales (Réglage automatique de charge, Système antivibrations AVS™) .....	58
Protection enfants .....	59
<b>Pendant le lavage</b> .....	<b>60</b>
Nouvelle sélection d'un programme .....	60
Rajout de linge / Interruption du programme .....	60
Annulation d'un programme en cours .....	60
<b>Après le lavage</b> .....	<b>61</b>
<b>Instructions de maintenance par l'utilisateur</b> .....	<b>62</b>
Nettoyage et entretien .....	62
Nettoyage du corps de l'appareil et du bandeau de commande .....	62
Nettoyage du tambour .....	62
Nettoyage du bac à produits lessiviels .....	62
Nettoyage des cribles d'arrivée d'eau .....	63
Détartrage du lave-linge .....	63
<b>Remédier soi-même aux petites pannes</b> .....	<b>64</b>
Affichage des dérangements .....	66
<b>Service Après-Vente (SAV)</b> .....	<b>67</b>
<b>ÉNONCÉ DE GARANTIE DE PRODUIT LIMITÉE</b> .....	<b>68</b>
<b>DECLARATION DES GARANTIES LAVE-LINGE BOSCH</b> .....	<b>68</b>
Tableau de sélection de cycle .....	70



Le nouveau lave-linge que vous venez d'acheter est un appareil domestique moderne et de haute qualité. Cette machine moderne lave votre linge en faisant appel aux processus de lavage les plus sophistiqués, afin d'obtenir des résultats de lavage hors pair.

Une ingénierie et une fiabilité excellentes réduisent de façon significative les coûts de fonctionnement.

Une philosophie d'utilisation facile, tout un ensemble de programmes de lavage personnalisés, un retour haptique agréable et faisant sentir la solidité du produit font de lui un –assistant pratique dans votre foyer. Cet appareil offre les caractéristiques standard suivantes :

Votre lave-linge comporte les fonctionnalités standard suivantes :

- Niveau de bruit réduit au lavage et à l'essorage.
- Hublot avec verrou de porte magnétique.
- Ouverture du hublot 16 pouces (41 cm), charnière robuste de haute qualité, angle d'ouverture 160°.
- Capacité du tambour 22 lb (10 kg) pour les machines de linge de coton normal.

Chaque lave-linge quittant notre usine a subi un test poussé de performances et se trouve en parfait état de marche. L'appareil peut contenir de l'eau résiduelle, provenant des procédures d'essai. Si vous souhaitez poser des questions sur l'installation du lave-linge, notre service après-vente (SAV) se fera un plaisir de vous conseiller.

Vous trouverez d'autres informations et tout un choix de nos produits sur le site Web suivant : [www.boschappliances.com](http://www.boschappliances.com).

Veuillez lire et respecter la présente notice d'utilisation et d'installation, ainsi que toutes les informations accompagnant le lave-linge.

La présente notice d'utilisation et d'installation décrit plusieurs modèles. Les différences éventuelles sont indiquées à l'endroit approprié.

Les illustrations peuvent contenir des détails ne figurant pas sur votre lave-linge.

## Définitions

### AVERTISSEMENT


**Avvertissement** – Ce symbole vous prévient d'un danger de mort ou d'un risque de blessures graves si vous ne respectez pas l'avertissement qui l'accompagne.

### PRUDENCE

**PRUDENCE** – Ce message vous prévient d'un risque de blessures légères ou moyennement graves si vous ne respectez pas ce conseil de prudence.

### NOTICE

**NOTICE** – Ce message vous prévient qu'un risque de dégâts pour l'appareil ou la propriété est possible si vous ne respectez pas cet avertissement.

 Ce symbole est destiné à attirer votre attention sur quelque chose de particulier.

## INSTRUCTIONS DE SÉCURITÉ IMPORTANTES

### AVERTISSEMENT

Les avertissements et consignes de sécurité contenus dans ce manuel ne comprennent pas tous les risques, conditions et situations éventuelles pouvant survenir. Faire preuve de bons sens et de prudence lors de l'installation, de l'entretien et de l'utilisation de cet appareil électroménager ou de tout autre.

### AVERTISSEMENT

Pour réduire le risque d'incendie, de choc électrique, pour écarter tout risque de blessures graves ou tout danger de mort pendant l'utilisation du lave-linge, veuillez prendre des précautions fondamentales comprenant celles décrites ci-après.

1. Les lave-linge BOSCH sont livrés avec une notice contenant des instructions d'utilisation, d'entretien et d'installation. Veuillez lire et assimiler attentivement et intégralement ces instructions avant d'utiliser le lave-linge.
2. Ne lavez jamais dans ce lave-linge du linge préalablement nettoyé, lavé, trempé ou taché avec de l'essence, des solvants de dégraissage à sec ou avec d'autres substances inflammables, explosives car tous peuvent dégager des vapeurs susceptibles de s'enflammer ou d'exploser.
3. A l'eau de lavage, n'ajoutez pas d'essence, de solvants de dégraissage à sec ni tout autre substance inflammable ou explosive. De ces substances se dégagent des vapeurs susceptibles de s'enflammer ou d'exploser.
4. Dans certaines conditions, de l'hydrogène peut se dégager d'un système à eau chaude qui n'a pas servi pendant quinze jours ou plus. LE GAZ HYDROGENE EST EXPLOSIF. Si le circuit d'eau chaude n'a pas servi pendant une telle période, ouvrez tous les robinets d'eau chaude et laissez l'eau couler plusieurs minutes de chacun avant d'utiliser le lave-linge. Ceci évacuera tout l'hydrogène qui pourrait s'être accumulé. Ce gaz étant inflammable, ne fumez pas et

- n'utilisez pas de flamme nue pendant cette opération.
5. Pour réduire les risques d'incendie, vous devez écarter de toute source d'inflammation, séchoirs compris, les vêtements, chiffons de nettoyage, têtes de balais à frange et objets similaires qui ont été tachés par des substances inflammables, entre autres de l'huile végétale, de l'huile de cuisine, des huiles et distillats à base de pétrole, des cires et des graisses. Ces objets risquent en effet de contenir une ou plusieurs substance(s) inflammable(s) qui, après le lavage du linge, pourraient se mettre à fumer et prendre feu toutes seules.
  6. Ne tentez pas de rendre les dispositifs de sécurité inopérants.
  7. Rangez tous les produits chimiques pour le linge et les produits auxiliaires dans un endroit frais et sec, conformément aux instructions de leurs fabricants.
  8. Pour réduire le risque de choc électrique, N'UTILISEZ PAS de prolongateur ni de multiprises pour raccorder le lave-linge au secteur domestique.
  9. Avant de retirer l'appareil du service ou de le mettre au rebut, enlevez son hublot et coupez son cordon d'alimentation / sa fiche mâle.
  10. Dès que les enfants sont en âge d'utiliser l'appareil, il est de la responsabilité des parents ou des tuteurs légaux de veiller à ce qu'ils soient informés des règles de sécurité par une personne qualifiée.
  11. Ne pas laisser les enfants jouer sur ou à l'intérieur de l'appareil à quelque moment que ce soit ; des blessures graves, voire mortelles pourraient en résulter. Les enfants doivent se tenir à bonne distance de l'appareil à tout moment. Interdire aux enfants de rester à proximité d'un appareil à moins d'être sous la surveillance attentive et constante d'un adulte.
  12. Veiller à ce qu'il n'y ait aucun jouet ou autre objet rangés sur ou à l'intérieur du lave-linge ou sur les étagères ou armoires ou autres espaces de rangement situés en surplomb car ils pourraient inciter les enfants à grimper sur le lave-linge.
  13. Ne vous asseyez pas sur la lave-linge.
  14. Ne permettre à personne de grimper, s'appuyer contre ou se suspendre sur une partie quelconque du lave-linge, y compris tout élément qui dépasse tel que le hublot de l'appareil ou une tablette coulissante.
  15. Pour réduire le risque d'empoisonnement ou de brûlures chimiques, rangez tous les produits de nettoyage hors de portée des enfants.
  16. Eloignez les animaux domestiques du lave-linge.
  17. N'introduisez pas les mains dans l'appareil pendant que le tambour de lavage tourne.
  18. N'installez ni ne stockez pas l'appareil dans un endroit exposé aux intempéries.
  19. Ne cherchez pas à modifier les commandes de l'appareil.
  20. Ne réparez et ne remplacez pas toute pièce de l'appareil et abstenez-vous de toute manipulation autre que celles spécifiquement recommandées dans la notice d'entretien par l'utilisateur ou publiées dans une notice de réparations par l'utilisateur, dont vous comprenez le contenu et pour lesquelles vous détenez les connaissances et l'habileté voulues.
  21. Ne touchez pas le hublot de chargement pendant le lavage à haute température. Vous risqueriez de vous brûler.
  22. Prudence lorsque vous vidangez de l'eau chaude.
  23. Le retrait d'un panneau quelconque risque d'exposer des pointes et angles vifs, des raccords électriques ou des surfaces chaudes.
  24. Veillez toujours à débrancher le lave-linge de la prise de courant avant d'effectuer toute opération sur l'appareil. Pour le débrancher, saisissez toujours sa fiche mâle, jamais son cordon d'alimentation.
  25. Ne lavez pas, avec ce lave-linge, de matériaux renforcés de fibre de verre (de nombreux rideaux et parements pour fenêtres contiennent des matériaux à base de fibre de verre). De petites particules pourraient rester dans le lave-linge et s'agripper au linge lors des séances de lavage suivantes, et provoquer ainsi des irritations cutanées.
  26. Ne tentez jamais de brancher / débrancher la fiche mâle de l'appareil avec les mains mouillées.
  27. N'utilisez pas le lave-linge si son câble d'alimentation est usé ou si sa prise électrique présente un faux contact. Dans ce cas, prenez contact avec un agent d'entretien agréé.
  28. Ne faites jamais marcher le lave-linge si vous avez défait l'un de ses dispositifs de protection et/ou panneaux de capotage (exception : les boulons servant de cales de transport doivent avoir été enlevés).
  29. N'utilisez le lave-linge qu'aux fins pour lesquelles il a été conçu.
  30. Respectez toujours les consignes d'entretien des textiles fournies par les fabricants du linge.
  31. Assurez-vous que tous les branchements d'eau sur le lave-linge comportent un ou plusieurs robinet(s) de fermeture et qu'ils sont facilement accessibles. Refermez le(s) robinet(s) du lave-linge à la fin de chaque journée de lavage.
  32. Vérifiez régulièrement les jonctions du tuyau flexible de remplissage. Assurez-vous qu'elles sont bien serrées et qu'elles ne fuient pas.
  33. Lisez et respectez toujours les instructions du fabricant du/des produit(s) lessiviel(s), auxiliaire(s) de nettoyage, produit(s) adoucisseur(s) et des produits éliminateurs d'électricité statique. Respectez tous les avertissements et prenez les précautions demandées.
  34. N'utilisez jamais le lave-linge s'il lui manque des pièces ou si certaines sont cassées.

35. Abstenez-vous de faire marcher ce lave-linge tant que vous n'êtes pas sûr(e) :
- si le lave-linge a été installé conformément aux INSTRUCTIONS D'INSTALLATION.
  - que toutes les formes de raccordement, à l'eau, à l'égout, à l'électricité et à la terre se conforment bien à la réglementation locale et/ou à d'autres prescriptions et exigences.
36. L'installation, l'entretien et/ou l'utilisation du lave-linge sans respecter les instructions publiées par le fabricant peuvent créer des conditions génératrices de blessures corporelles et/ou de dommage pour les biens (im)mobiliers environnants.
37. Pour éviter d'endommager le hublot, n'exercez pas de poussée contre lui lorsque vous déplacez l'appareil. Prenez des précautions pour ne pas endommager le planchar.
38. Pour éviter d'endommager le sol et la prolifération de moisissures, essuyez immédiatement l'eau qui s'est répandue autour ou sous l'appareil, ainsi que les flaques d'eau.
39. Les connexions d'eau devraient être faites et devraient être essayées avant que le pouvoir électrique est appliqué à la machine.

## Remarques :

- Les MISES EN GARDE et AVERTISSEMENTS IMPORTANTS figurant dans le présent manuel ne sauraient envisager toutes les situations possibles et imaginables. Faites preuve de bon sens, de prudence et de soin pendant l'installation, l'entretien et l'utilisation de ce lave-linge.
- Contactez toujours votre revendeur, distributeur, agent du service après-vente (SAV) ou le fabricant en présence de problèmes ou situations vous paraissant incompréhensibles.

## INSTRUCTIONS DE MISE A LA TERRE

Cet appareil doit être mis à la terre. En cas de dégâts ou de défectuosité, la mise à la terre réduit le risque de choc électrique en permettant au courant électrique d'emprunter un chemin de moindre résistance.

Cet appareil est équipé d'un cordon d'alimentation avec fil intégré de raccordement de l'appareil à la terre, et d'une fiche de raccordement à la terre. Il faudra brancher la fiche dans une prise femelle appropriée, reliée à la terre conformément à la réglementation et aux décrets locaux.

### AVERTISSEMENT

Le branchement inexpert du fil chargé de raccorder l'appareil à la terre peut engendrer un risque de choc électrique. Connectez-le à un circuit individuel de dérivation. Avec l'aide d'un électricien agréé ou d'un technicien du SAV, vérifiez en cas de doute que le lave-linge est bien raccordé à la terre. **NE MODIFIEZ PAS LA FICHE MÂLE** accompagnant l'appareil. Si elle ne rentre pas dans la prise, demandez à un électricien agréé de vous installer une prise femelle appropriée.

## CONSERVEZ CETTE NOTICE AFIN DE POUVOIR LA CONSULTER À NOUVEAU ULTÉRIEUREMENT.

Si l'appareil doit un jour changer de propriétaire, remettez-lui le manuel en même temps que le lave-linge.

## CONSERVEZ CETTE NOTICE

# INSTRUCTIONS D'INSTALLATION

## Introduction

### PRUDENCE

POUE EVITER  
Risque de blessures!  
Ce lave-linge est lourd. Soulevez-le avec prudence.

Veillez bien à observer tous les avertissements et mises en garde énoncés ci-dessous.

### NOTICE

Les tuyaux flexibles gelés peuvent se déchirer / éclater. N'installez pas ce lave-linge en plein air ou dans un endroit exposé au gel. Si la machine à laver est située dans une chambre qui sera exposée aux températures au-dessous de zéro, ou si elle est située dans une carlingue qui est arrêtée pour l'hiver, n'importe quelle eau résiduelle dans le hose(s) d'admission de pompe ou d'eau doit être vidangée.

Les présentes instructions d'utilisation sont destinées à des installateurs qualifiés. Outre ces instructions et lorsque vous installez le lave-linge :

- Aux Etats-Unis : conformez-vous au National Electric Code, ANSI/NFPA70 – en son édition la plus récente / en conformité avec la réglementation édictée par l'Etat de résidence, la réglementation municipale et/ou locale.
- Au Canada : en conformité avec le Code Electrique Canadien C22.1 – en son édition la plus récente / en conformité avec la réglementation édictée par la province de résidence, la réglementation municipale et/ou locale.

Si le lave-linge doit être installé dans une pièce exposée au gel, ou dans une résidence secondaire fermée pendant l'hiver, vous **devrez** vidanger toute l'eau présente dans la pompe et dans le(s) flexible(s) d'arrivée d'eau.

Veillez à ne pas endommager le lave-linge.

Lorsque vous le soulevez, ne le saisissez pas par ses parties saillantes (le hublot par ex.).

Outre les instructions de sécurité énoncées ici, vous devrez respecter les prescriptions spéciales édictées par vos compagnies locales de distribution d'eau et d'électricité.

En cas de doute, confiez le raccordement à un technicien agréé.

## Informations sur la mise au rebut

### Mise au rebut de l'emballage

L'emballage d'expédition protège votre nouvel appareil pendant son transport jusqu'à chez vous. Tous les matériaux composant l'emballage sont écologiques et recyclables. Pour contribuer vous aussi à la protection de la nature, mettez les matériaux d'emballage au rebut de façon respectueuse de l'environnement.

Consultez votre revendeur ou l'administration municipale pour connaître les meilleurs moyens d'éliminer l'emballage.

### AVERTISSEMENT

Conserver les cartons d'expédition et divers éléments d'emballage hors de portée des enfants pour éviter tout risque de suffocation associée aux enveloppes de plastique et aux cartons pliants.

### Mise au rebut de l'ancien appareil

Les appareils anciens ne sont pas des déchets sans valeur! Un recyclage respectueux de l'environnement permet de récupérer de précieuses matières premières.

### AVERTISSEMENT

Si l'appareil est inutilisable, débranchez-le de la prise de courant, coupez le cordon d'alimentation et jetez-le. Pour empêcher les enfants de s'enfermer à l'intérieur de l'appareil, retirez le hublot du lave-linge.

Pour empêcher que des enfants ne s'enferment dans l'ancien appareil et risquent leur vie, détruisez le système de fermeture du hublot ou retirez ce dernier.

## Protection de l'environnement / Questions d'écologie

Votre nouveau lave-linge utilise efficacement l'eau, l'électricité et le produit lessiviel qu'il consomme, ménageant ainsi à la fois l'environnement et le budget de votre ménage.

Utilisez votre lave-linge de manière efficace et respectueuse de l'environnement :

- Evitez de mettre trop de produit lessiviel.
- Utilisez le détergent étiqueté HE pour obtenir une efficacité élevée avec les lave-linge à chargement frontal.
- Ajoutez du produit lessiviel en fonction du degré de salissure, de la quantité de linge et de la dureté de l'eau. Respectez les instructions du fabricant du produit lessiviel.

## Conformité d'utilisation

Votre lave-linge est destiné à :

- Éviter d'utiliser trop de détergent.
- Utiliser des produits lessiviels comportant le symbole HE signalant un rendement élevé et pour lave-linge à chargement frontal.

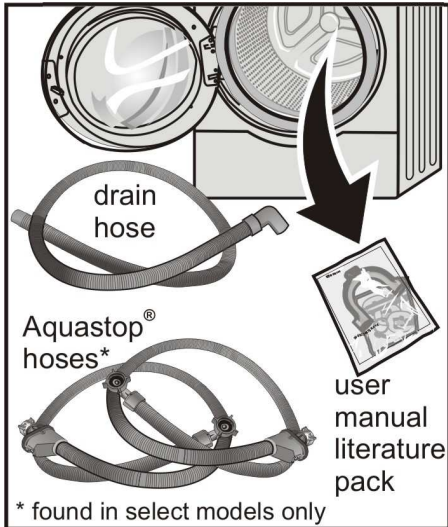


- Laver à l'aide d'eau du robinet froide et chaude (140 °F/60 °C) et d'additifs conventionnels adaptés à l'emploi en lave-linge domestiques.

## Equipement fourni d'origine

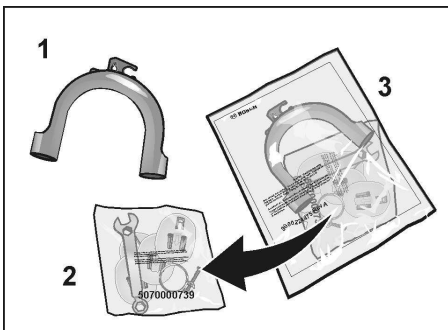
Votre lave-linge a été fourni accompagné d'un paquet d'accessoires. Vérifiez que les accessoires fournis avec votre modèle figurent au complet. Si des pièces manquent, prévenez immédiatement votre revendeur.

### Accessoires présents dans le tambour::

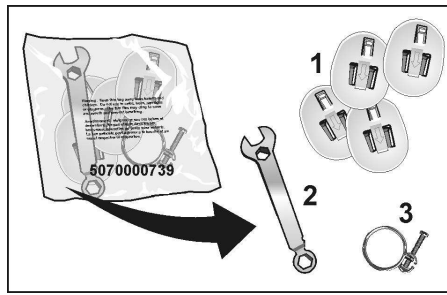


1. Tuyau flexible d'arrivée d'eau froide (marqué en bleu).
2. Tuyau flexible d'arrivée d'eau froide (marqué en rouge).
3. Tuyau flexible de vidange de l'eau.
4. Pochette de documentation avec manuel de l'utilisateur voir ci-dessous).

### Le contenu de paquet de littérature inclut :



1. Support pour le tuyau flexible de vidange.
2. Le sachet d'accessoires
3. manuel de l'utilisateur



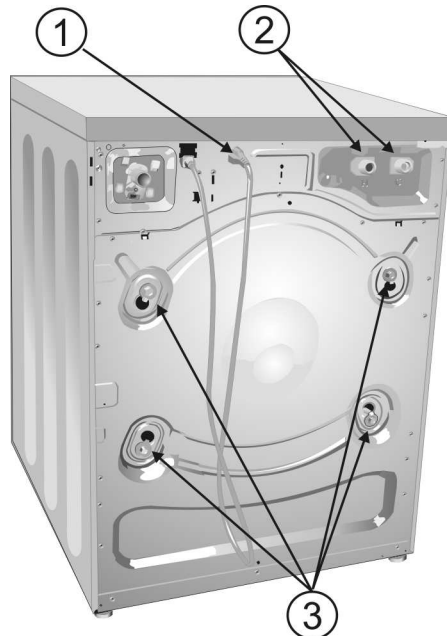
### Le sachet d'accessoires contient ceci:

1. Coiffes servant à obturer les ouvertures demeurées libres après l'enlèvement des cales de transport.
2. Clé d'ajustage de l'horizontalité.
3. 1 coude servant à raccorder le tuyau flexible de vidange par ex. à un évier.

Suivant le type de branchement, vous aurez peut-être aussi besoin de l'accessoire suivant :

- Pièce en «Y» (procurez-vous la dans toute quincaillerie) au cas où vous ne pourriez raccorder le lave-linge qu'à l'eau froide.

Toute humidité présente dans le tambour provient du dernier essai subi par l'appareil avant de quitter la chaîne de fabrication.

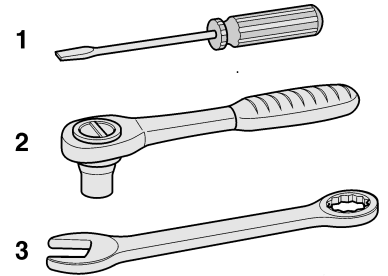


1. Le cordon d'alimentation avec la prise
2. Les raccords d'eau chaude et froide
3. 4 boulons d'expédition

## Outillage utile

Les outils suivants vous faciliteront la tâche:

1. Tournevis à pane plate.
2. Clé à pipe (1/2" / 13mm).
3. Clé polygonale (1/2" / 13 mm).

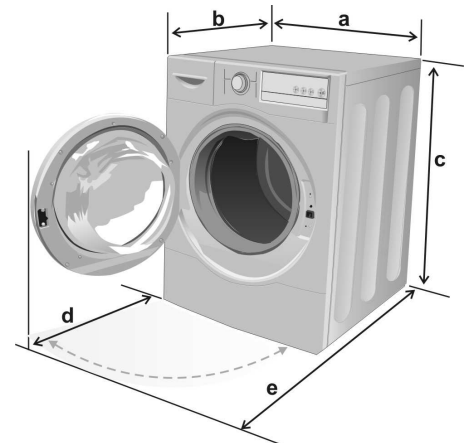


## NOTICE

Ne PAS pousser contre la vitre de la porte de la sécheuse. Il y a un risque de bris!



## Dimensions



- a = 27.0 pouces (686 mm)
- b = 29.7 pouces (754 mm)
- c = 36.8 pouces (935 mm) (minimum)  
37.8 pouces (962 mm) (maximum)\*
- d = 20.7 pouces (525 mm)
- e = 49.8 pouces (1,263 mm)

\* La hauteur de l'appareil dépend de l'extension des pieds à hauteur réglable. La hauteur minimale comprend les pieds complètement vissés contre le fond du lave-linge. La hauteur maximale comprend les pieds sortis dans la mesure du maximum autorisé (le filetage de la vis doit être suffisamment engagé afin que le pied soit stable lorsque dévissé  $\frac{1}{4}$  de pouce/6,4 mm).

Angle d'ouverture du hublot : 160°  
Poids approximatif = 220 lbs (100 kg.)

## Lieu d'installation

### AVERTISSEMENT

Ne reliez jamais le fil de terre du lave-linge à une tuyauterie en plastique, à un tuyau de gaz ou d'eau chaude.

**Cet appareil doit être installé sur un sol massif et correctement mis de niveau en raison des vitesses d'essorage élevées qu'il produit. Si la machine est installée sur un parquet au dessus d'un sous-sol ou à un étage supérieur, il pourra être nécessaire de renforcer le sol. Le bruit, les vibrations et le risque de « déplacement » du lave-linge seront affectés en fonction de la structure et de la stabilité de la surface du sol sur lequel l'appareil est installé.**

- ❑ Les surfaces molles, telles que celles recouvertes de carpepe ou les revêtements à dos en mousse ne conviennent pas. Si possible, placer l'appareil dans un coin de la pièce.

Si le lave-linge doit être installé sur un plancher, veuillez :

- ❑ Visser une section de contreplaqué résistant à l'humidité (mesurant au moins 3/4 po d'épaisseur) sur le sol. Le contreplaqué doit être découpé de façon à correspondre à l'encombrement du lave-linge, soit environ 27 po de largeur x 29,7 po de profondeur, ou 54 po de largeur x 29,7 po de profondeur. Pour de meilleurs résultats, le contreplaqué doit couvrir la surface sur laquelle sont posés le lave-linge et le sèche-linge de façon à ce que les appareils soient à la même hauteur.

- ❑ Utiliser des brides de retenue pour bloquer les pieds du lave-linge. Pour obtenir ces brides (en kit), adressez-vous au service après-vente (n° de réf. WMZ 2200).

## Accessoires

### Lot de montage sur socle

Un socle de rangement doté d'un tiroir extractible est disponible comme accessoire pour votre lave-linge. Il permet d'augmenter la hauteur du lave-linge de 15 pouces.

### PRUDENCE

L'appareil ne doit pas être installé sur un socle dans les montages en superposition.


La pièce n° WTZ 1610 est pour un socle blanc uni.

D'autres couleurs de socles peuvent être disponibles.

Le n° de référence de la pièce est WTZ 1610 « X » où X représente la couleur disponible (par ex. : A pour Anthracite, S pour argent). Veuillez demander à votre revendeur quels sont les choix de couleurs disponibles.

Vous pouvez également consulter un catalogue de produits valide ou visiter notre site Web à l'adresse : [www.boschappliances.com](http://www.boschappliances.com)

Pour monter le lave-linge sur l'estrade Bosch, veuillez suivre la notice d'instructions accompagnant cet accessoire.

-  Monter le socle sur le lave-linge avant d'enlever les quatre boulons de transport situés à l'arrière du lave-linge (voir page 44 pour de plus amples détails).

### Lots de superposition

Deux lots de superposition sont disponibles.

#### Lot de superposition de base

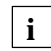
Ce lot permet de fixer le sèche-linge sur le lave-linge et augmente la hauteur de superposition d'environ 0,63 pouces (16 mm).

**La pièce n° WTZ 1601** est pour le lot de superposition mécanique de base.

### Lot de superposition avec tablette coulissante

Ce lot de superposition vous permet d'installer le sèche-linge sur le lave-linge et comporte également une tablette coulissante. Ce lot augmente la hauteur du lave-linge et du sèche-linge superposés l'un sur l'autre d'environ 1,5 pouces (38,5 mm).

Ce lot peut également être utilisé en conjonction avec l'accessoire socle. Le lot de superposition augmente la hauteur du lave-linge installé d'environ 1,52 pouces tandis que le socle augmente cette même hauteur d'environ 15 pouces.

-  Le socle ne peut pas être utilisé pour les montages lave-linge/sèche-linge superposés.

**La pièce n° WTZ 1600** est pour le lot superposition avec tablette coulissante blanc uni.

### D'autres couleurs de lots de superposition avec tablette coulissante peuvent être disponibles.

Le n° de référence de la pièce est WTZ 1600 « X » où X représente la couleur disponible (par ex. : A pour Anthracite, S pour argent). Veuillez demander à votre revendeur quels sont les choix de couleurs disponibles.

### Distances minimales

Renseignements importants concernant les distances minimales :

- Si le lave-linge doit être installé avec un sèche-linge de manière à ce que la face avant des appareils soit au même niveau, il faudra aménager un dégagement supplémentaire à l'arrière pour faire place au dispositif d'évacuation du sèche-linge. En fonction de l'emplacement du raccord d'évacuation d'air, prévoir une distance minimale de 5 pouces  $\frac{1}{2}$  (14 cm) pour les gaines/supports (voir la notice de montage du sèche-linge).
- Les avantages associés à l'aménagement de distances ou dégagements supérieurs au minimum indiqué sont les suivants:
  - réduction du risque de formation de moisissure derrière l'appareil;
  - réduction de la transmission des bruits ;
  - facilité d'installation et de réparation ;



- apport d'air supplémentaire pour refroidir le sèche-linge, permettant d'éviter les surchauffes et d'augmenter la performance de séchage.

- Si le lave-linge et le sèche-linge doivent être installés dans une pièce de petite dimension, les portes de la pièce doivent être dotées de bouches d'aération d'une taille minimale spécifiée. Pour des informations supplémentaires, se reporter aux illustrations suivantes concernant les installations confinées.
- Au besoin, laisser un dégagement supplémentaire pour les moulures de mur, de porte et de fenêtre.

## Types d'installation

Respecter les dégagements minimum suivants entre le lave-linge et les surfaces adjacentes pour tous les types d'installation.

### Dégagements minimum d'installation

<b>A</b> Côtés	0.25 in. (6.4 mm)
<b>B</b> Dessus	0.25 in. (6.4 mm)
<b>C</b> Arrière*	2.55 in. (64.8 mm)
<b>D</b> Avant	0.50 in. (12.8 mm)

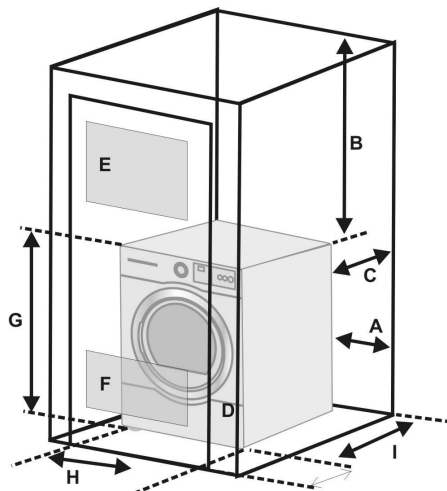
\* le plus près possible du mur dans la mesure où les raccordements d'aération ou d'eau l'autorisent. Si l'installation est réalisée avec un lave-linge, un plus grand dégagement arrière réservé au dispositif d'évacuation du sèche-linge est requis pour une combinaison d'appareils.

- Les unités sont conçues de façon à ce que le sèche-linge puisse être superposé sur le lave-linge à l'aide de l'un des lots de superposition figurant page 42.
- Les unités sont conçues pour un montage encastré sous un plan de travail. Voir les dimensions requises à la section relative au montage encastré sous un plan de travail figurant page 44.

Les mesures de hauteur figurant dans cette section sont basées sur les pieds du lave-linge en extension minimale (entièrement vissés contre le fond du lave-linge).

## Montage encastré sous un plan de travail ou dans un placard

Les dimensions relatives au montage encastré sous un plan de travail ou dans un placard sont indiquées dans l'illustration ci-dessous.



### Exigences en matière de ventilation dans un placard

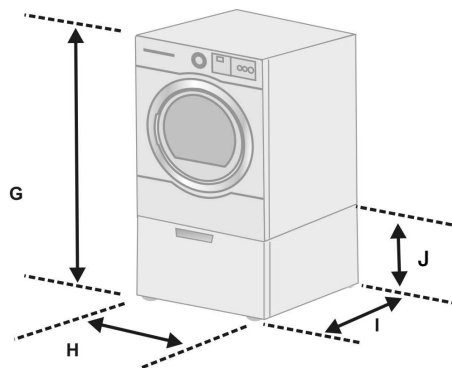
<b>E</b> Dessus	48 sq. in. (310 sq. cm)
<b>F</b> Fond	24 sq. in. (155 sq. cm)

### Espace de montage exigé

<b>G</b> Hauteur	37.25 in. (94.6 cm)
<b>H</b> Largeur	27.50 in. (69.9 cm)
<b>I</b> Profondeur	33.50 in. (85.1 cm)

## Monté sur un socle

Les dimensions pour l'installation avec montage sur socle sont indiquées dans l'illustration ci-dessous.

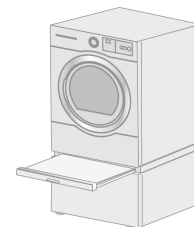


### Espace de montage exigé

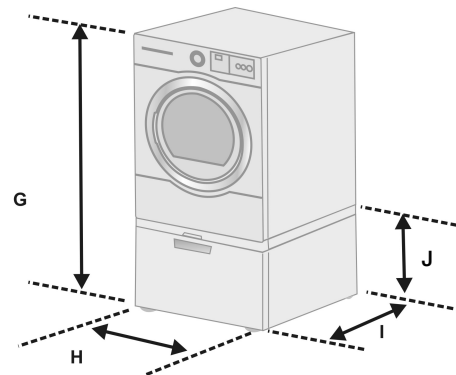
<b>G</b> Hauteur	52.25 in. (132.7 cm)
<b>H</b> Largeur	27.50 in. (69.9 cm)
<b>I</b> Profondeur	33.50 in. (85.1 cm)
<b>J</b> Hauteur du socle.	15.0 in. (38.1 cm)

- i** L'appareil ne doit pas être installé sur un socle dans les montages encastrés sous un plan de travail.

## Socle avec tablette coulissante



Les dimensions pour l'installation avec socle et tablette coulissante sont indiquées dans l'illustration ci-dessous.



### Espace de montage exigé

<b>G</b> Hauteur	53.75 in. (136.5 cm)
<b>H</b> Largeur	27.50 in. (69.9 cm)
<b>I</b> Profondeur	33.50 in. (85.1 cm)
<b>J</b> Hauteur du socle.	15.0 in. (38.1 cm)

L'appareil ne doit pas être installé sur un socle dans les montages encastrés sous un plan de travail.

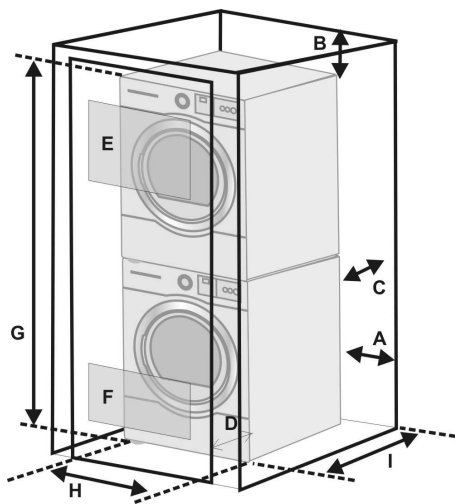
## Lave-linge et sèche-linge superposés

Les dimensions pour le montage superposé sont indiquées dans l'illustration ci-dessous.

Deux lots de superposition sont disponibles pour installer le sèche-linge sur le lave-linge. Voir la section « Accessoires » figurant page 42.

## **AVERTISSEMENT**

Il est recommandé de faire appel à plusieurs personnes pour soulever et mettre en place le sèche-linge en raison de son poids et de sa taille. Le non respect de cette recommandation peut entraîner des lésions corporelles, voire la mort.



Les dimensions de dégagement A à D figurent à la page 43.

### Exigences en matière de ventilation dans un placard

E	Dessus	48 sq. in. (310 sq. cm)
F	Fond	24 sq. in. (155 sq. cm)

### Espace de montage exigé

G	Hauteur*	74.50 in. (189.3 cm)
	* avec lot de superposition de base	
	Hauteur**	76.02 in. (193.1 cm)
	avec ensemble de superposition comprenant une tablette coulissante	
H	Largeur	27.50 in. (69.9 cm)
I	Profondeur	33.50 in. (85.1 cm)

## ⚠ AVERTISSEMENT

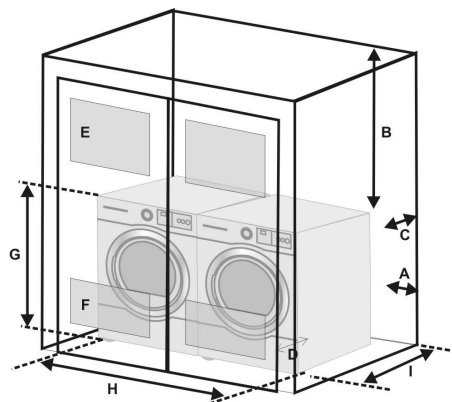
L'appareil ne doit pas être monté sur un socle dans le cas d'un montage superposé. Le lave-linge ne doit pas être superposé sur le sèche-linge.

Ceci peut entraîner de graves blessures et dégâts matériels.

Faites attention en faisant glisser le lave-linge et le sèche-linge pour les superposer l'un sur l'autre. Pour de plus amples informations, voir les instructions de montage du lot de superposition.

### Côte à côte

Les dimensions relatives au montage côte à côte sont indiquées dans l'illustration ci-dessous.



Les dimensions de dégagement A à D figurent à la page 43.

### Exigences en matière de ventilation dans un placard

E	Dessus	48 sq. in. (310 sq. cm)
F	Fond	24 sq. in. (155 sq. cm)

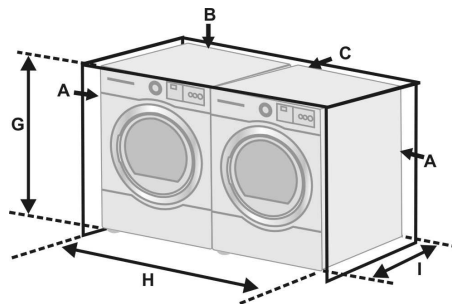
### Espace de montage exigé

G	Hauteur	37.25 in. (94.6 cm)
H	Largeur	54.75 in. (139.1 cm)
I	Profondeur	33.50 in. (85.1 cm)

Hauteur requise pour montage sur socle : 52,25 po. (132,7 cm)

### Montage Encastré

Les dimensions relatives au montage encastré sous un plan de travail ou dans un placard sont indiquées dans l'illustration ci-dessous.



Les dimensions de dégagement A à D figurent à la page 43.

### Espace de montage exigé

G	Hauteur	37.25 in. (94.6 cm)
H	Largeur	27.50 in. (69.9 cm)
	Largeur*	54.75 in. (139.1 cm)
	*lave-linge et sèche-linge installés côte à côte	
I	Profondeur	33.50 in. (85.1 cm)

**i** L'appareil ne doit pas être installé sur un socle dans les montages encastrés sous un plan de travail.

## Check-List pour l'installation

Page

enlever complètement les 4 jeux de boulons de transport et mettre le lave-linge en place	44
Branchez le flexible à eau et le flexible de vidange	45
Raccordez-le à une prise électrique	47
Faites glisser le lave-linge jusque sur son emplacement final	48
Adjustez-le le plus bas possible	48
Exécutez un cycle de nettoyage avant la première utilisation	51

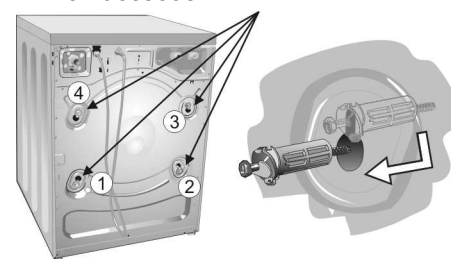
## Retrait des jeux de boulons de transport

### NOTICE

Afin d'éviter toute possibilité de blessures et dégâts sur l'appareil et les surfaces adjacentes, les quatre jeux de boulons de transport doivent être retirés avant d'utiliser l'appareil. Conserver les jeux de boulons pour les utiliser à l'occasion du prochain transport de l'appareil (p. ex. lors d'un déménagement). Si vous avez acheté un lot de montage du socle, suivre la notice de montage qui vous a été livrée avec ce lot avant de retirer les jeux de boulons de transport.

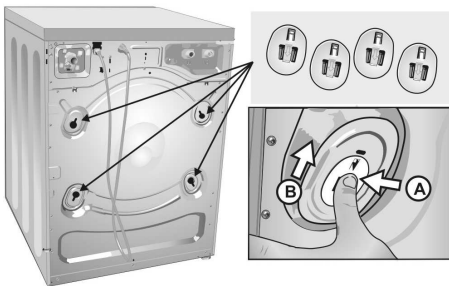
**i** Si le lave-linge doit être installé sur un socle, effectuer cette opération avant de retirer les jeux de boulons de transport.

1. Desserrer les jeux de boulons en utilisant la clé polygonale de 1/2 po fournie, ou une clé à douille de 1/2 po. Les desserrer jusqu'à ce qu'ils tournent librement.
2. Retirer les deux jeux de boulons inférieurs avant de retirer les deux jeux de boulons supérieurs. Retirer les quatre jeux de boulons dans l'ordre indiqué dans le schéma ci-dessous.





3. Desserrer les jeux de boulons en utilisant la clé polygonale de 1/2 po fournie, ou une clé à douille de 1/2 po. Les desserrer jusqu'à ce qu'ils tournent librement.
4. Les jeux de boulons peuvent être facilement retirés à l'aide d'une clé à douille de 1/2 po (13 mm).
5. Faire glisser chaque jeu de boulon de transport desserré hors de sa fente de retenue et faites-le passer à travers le trou arrondi du bâti. Enlever complètement les 4 jeux de boulons de transport. Chaque jeu consiste en un boulon, une rondelle plate en métal et un manchon blanc en plastique).
6. Si les manchons ne sortent pas lorsque vous retirez les jeux de boulons, remettre les boulons en place dans les manchons et réessayer de nouveau avec précaution. Ce maniement des boulons est important car les manchons risquent autrement de ne pas sortir correctement.
7. Pour ranger les jeux de boulons afin de pouvoir les utiliser ultérieurement, ne pas les séparer des manchons en plastique.

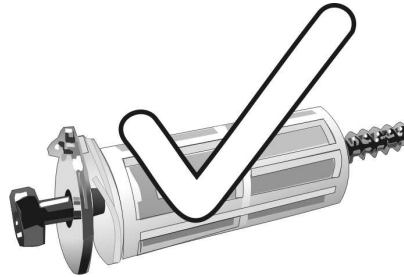


8. Placer le cache de plastique sur les trous précédemment occupés par les jeux de boulons de transport. Pousser sur la languette (A) et faire coulisser le cache vers la petite fente (B).

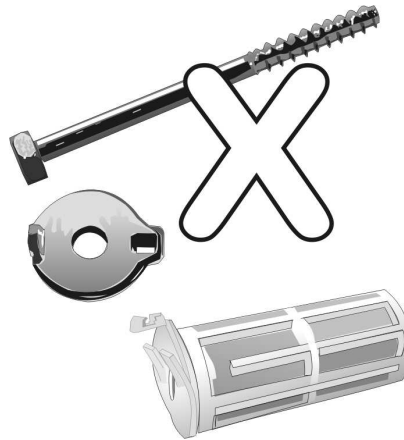
### Rangement des jeux de boulons de transport

Toujours conserver les jeux de boulons de transport afin de pouvoir transporter l'appareil ultérieurement (lorsque vous déménagez par exemple).

- ❑ Ranger les jeux de boulons de transport munis des rondelles et manchons.



- ❑ Ne pas enlever le boulon et la rondelle de la bague.



## Branchement de l'eau

### Alimentation en eau

#### NOTICE

Ne faites marcher ce lave-linge qu'avec de l'eau provenant du robinet d'eau froide ou d'eau chaude (140 °F / 60 °C maxi.). Ne raccordez pas l'appareil au mitigeur d'un chauffe-eau non pressurisé.

En cas de doute, confiez le branchement à un technicien agréé.

Veillez bien à:

- Tordus, pliés ou aplatis de façon à gêner potentiellement l'écoulement de l'eau.
- Ne pas le modifier ni le couper (sa solidité ne serait plus garantie).

- i** Il est recommandé d'inspecter et de remplacer périodiquement les tuyaux endommagés ou tordus. Le remplacement des tuyaux d'alimentation en eau après cinq ans d'utilisation peut contribuer à réduire le risque de défaillance de la tuyauterie.

#### NOTICE

Le client est seul responsable de la fixation solide des raccordements EXTÉRIEURS de tuyau. Le fabricant n'assume aucune responsabilité ou obligation pour tout raccordement EXTÉRIEUR de tuyau ou tout autre raccordement mal effectué.

Serrez les raccords en plastique uniquement à la main. N'enlevez pas les cribles de filtrage équipant les tuyaux flexibles d'alimentation en eau. Tenez compte de la pression régnant dans le réseau d'eau public :

- La pression d'eau doit se situer entre 20 et 120 p.s.i. (1.37 et 8,3 bars) lorsque le robinet est ouvert et au moins 2,2 gallons américains (8 litres) d'eau doivent être débités chaque minute.
- Si la pression de l'eau au robinet dépasse maximum il faudra installer un détendeur.

#### NOTICE

Pour vous protéger de tout risque d'inondation, les robinets d'eau chaude et d'eau froide doivent demeurer accessibles une fois le lave-linge en place. Ramenez-les toujours en position fermée lorsque le lave-linge ne sert pas.

#### NOTICE

Si vous installez le lave-linge dans un bâtiment neuf ou dans un bâtiment dont le réseau de conduites vient d'être récemment installé ou réparé, faites d'abord couler beaucoup d'eau par les conduites de ce réseau avant de leur raccorder le lave-linge. Cette opération a pour but de chasser le sable, les impuretés et résidus qui pourraient être restés dans les conduites.

## Branchement

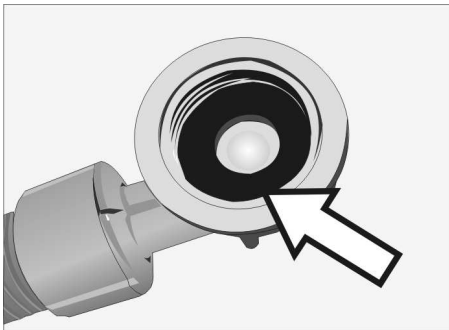
### C Raccordement d'eau froide

### H Raccordement de l'eau chaude (140 °F / 60 °C max.)

- ❑ Il faut serrer à **la main** les raccords en plastique lorsque vous branchez les flexibles d'alimentation au dos de l'appareil. Ne retirez pas les cribles situés dans les flexibles d'alimentation en eau.
- ❑ **Ne pas enlever les crépines des tuyaux d'alimentation en eau.**

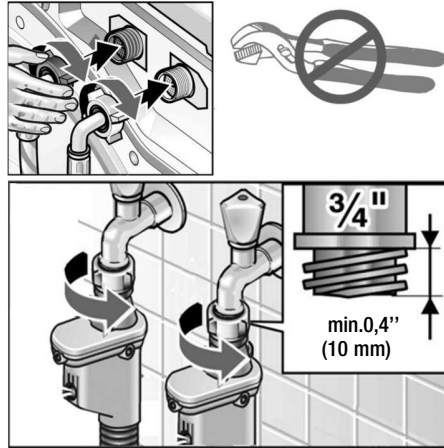


- ❑ Vérifier que la rondelle/crépine en caoutchouc se trouve bien dans le tuyau AquaStop™ avant de brancher le tuyau au robinet d'eau. Il n'est pas nécessaire de retirer la rondelle pour nettoyer la crépine. Pour nettoyer, rincer à l'eau courante. Si nécessaire, essuyer légèrement la crépine métallique pour la débarrasser de tous débris accumulés.



- ❑ Vérifier également la présence de la rondelle en caoutchouc sur l'extrémité du tuyau AquaStop™ qui se branche sur l'appareil.
- ❑ Serrer les filetages en plastique uniquement à **la main**. Raccorder les tuyaux d'alimentation en eau à l'arrière du lave-linge.

- ❑ Serrer uniquement les raccords métal sur métal (par exemple pour brancher le tuyau AquaStop™ sur le robinet) en effectuant deux-tiers de tour supplémentaires avec des pinces. Ne pas utiliser de pinces pour serrer des garnitures filetés en plastique sur des filets en plastique ou en métal.



- ❑ Après le branchement : ouvrez les robinets d'eau en grand et vérifiez que les raccords sont étanches.

## Extension de tuyau

Le tuyau AquaStop™ peut ne pas contenir dans l'espace réservé au robinet mural. Un petit tuyau de rallonge (pièce n° 645787) est disponible sans frais auprès du service après-vente (voir page NO TAG).67).

## Autres Tuyaux

Disponible des négociants d'appareil :  
– A étendu le tuyau de provision (approx. 96,1 pouces, 2,44 mètres)

## ⚠ PRUDENCE

Les raccords se trouvent sous la pression intégrale de l'eau. Vérifiez leur étanchéité avec chaque robinet en position grande ouverte.

## Aquastop™

Le système AquaStop™ est disponible uniquement pour certains des modèles. AquaStop™ vous protège contre les fuites de type débordement émanant du lave-linge. Ce dispositif utilise une soupape d'arrêt dans le tuyau AquaStop™ et un commutateur flottant situé dans la partie inférieure du lave-linge.

En cas de détection d'une fuite d'eau, le dispositif est conçu pour arrêter l'écoulement de l'eau afin de minimiser la fuite.

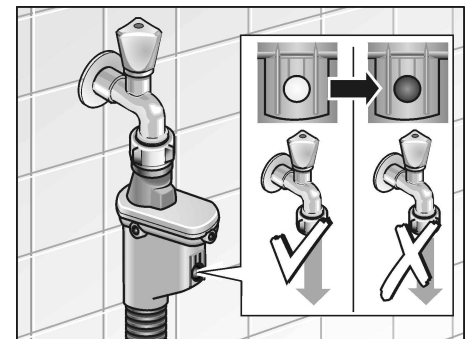
AquaStop™ est basé sur une technologie de confinement interne et n'assure aucune protection contre les forces extérieures, tels les problèmes de plomberie des logements ou les dommages causés au tuyau de la machine (par exemple les dégâts d'installation). La machine doit être de niveau et mise en marche (« on ») pour que cette fonction puisse être opérationnelle.

- ❑ La fonction AquaStop™ n'est pas active et ne sera pas opérationnelle si le sélecteur de programme est dans la position Arrêt (« Off »).
- ❑ Le lave-linge doit être de niveau pour que la fonction AquaStop™ puisse être opérationnelle.

## Le tuyau AquaStop™

Le tuyau AquaStop™ est basé sur une technologie de confinement externe qui protège contre les inondations potentielles en cas de fuite du tuyau.

En cas de fuite du tuyau, une marque rouge s'affiche et l'arrivée d'eau est coupée.



- ❑ Un tuyau AquaStop™ qui s'est déclenché ne peut pas être réinitialisé. Contactez le service clientèle pour obtenir un tuyau de rechange (voir page 67).

## Vidange de l'eau

### NOTICE

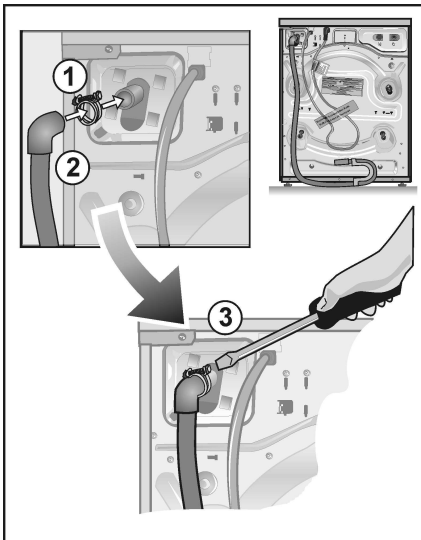
Ne pliez pas le tuyau flexible de vidange de l'eau et ne le tirez pas.

La hauteur du tuyau d'évacuation doit être située au minimum à 12 pouces (30,5 cm) au-dessous du dessus du lave-linge et au maximum à 5 pieds (152,4 cm) du dessus du lave-linge.

### Branchement du tuyau flexible de vidange de l'eau

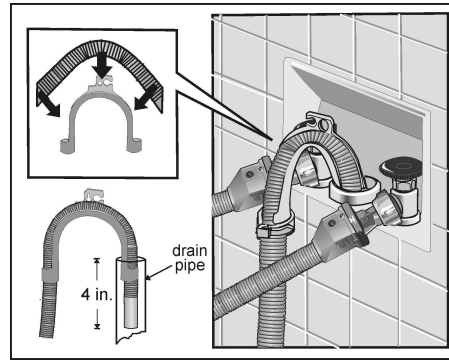
- ❑ **No retirez pas la vis du système de bridage.** Desserrez seulement la vis ce qu'il faut pour que la bride glisse librement sur le flexible de vidange.

1. Fixez le tuyau flexible de vidange à l'extrémité de la prise de vidange.



2. Fixez le tuyau de vidange contre le raccord à cet effet au dos de l'appareil; positionnez la bride du flexible à approx. 3/8 pouces (9 mm) de l'extrémité du flexible.
3. Serrez la bride avec un tournevis.

## Installation encastrée dans le mur



- ❑ Raccorder le coude à l'extrémité du tuyau et enfoncer l'extrémité du tuyau dans le siphon mural à une distance d'environ quatre pouces. Ne pas enfoncer le tuyau de plus de quatre pouces dans le conduit d'évacuation.
- ❑ Le tuyau et le coude doivent correctement pénétrer dans le conduit d'évacuation lorsque placés selon l'illustration ci-dessus. Il doit y avoir un écart entre le tuyau de vidange et le conduit d'évacuation afin d'éviter une remontée de pression.
- ❑ Utiliser une sangle ou une attache de câble pour maintenir le tuyau en place. Ceci l'empêchera de sortir du conduit d'évacuation pendant la vidange. Le tuyau peut être attaché à l'un des tuyaux d'alimentation en eau, ou en d'autres points pratiques situés à proximité.

## Branchement électrique

### CONSIGNES DE RACCORDEMENT A LA TERRE

Cet appareil doit être mis à la terre. En cas de dégâts ou de défectuosité, la mise à la terre réduit le risque de choc électrique en permettant au courant électrique d'emprunter un chemin de moindre résistance.

Cet appareil est équipé d'un cordon d'alimentation intégrant un fil de terre et une fiche de terre. Il faut raccorder la fiche à une prise femelle réglementairement installée et dotée de contacts eux-mêmes raccordés à la terre, ceci en conformité avec la réglementation et les ordonnances locales.

### ⚠ AVERTISSEMENT

Un raccordement incorrect de l'appareil à la terre engendre un risque de choc électrique. Si vous avez des doutes sur son raccordement à la terre, confiez la vérification à un électricien agréé ou à un technicien du SAV.

Ne modifiez jamais la fiche mâle fournie avec l'appareil. Si elle refuse de rentrer dans la prise femelle, faites-en installer une appropriée par un électricien agréé.

### ⚠ AVERTISSEMENT

Ne raccordez le lave-linge qu'à une ligne du secteur domestique spécialement destinée à celui-ci et terminée par une prise femelle réglementairement raccordée à la terre.

La tension du secteur domestique doit correspondre à celle spécifiée sur la plaque signalétique de l'appareil (plaque signalétique : voir page 67).

Les données techniques relatives aux raccordements ainsi que les exigences en matière de fusibles/disjoncteurs sont spécifiées ci-dessous :

Volts	Hertz	Ampères	Watts
110-120	60	15	1350 (max.)

Assurez-vous que :

- La fiche mâle rentre bien dans la prise femelle du secteur.
- la dimension du fil est suffisante (s'assurer que le circuit utilise le calibre de fil correct conforme aux exigences de l'appareil)
- Le circuit de raccordement à la terre a été correctement installé.

# Ajustage horizontal

## L'importance de mettre le lave-linge de niveau

En raison des vitesses d'essorage élevées que votre lave-linge hautes performances peut atteindre, il est crucial de mettre le lave-linge de niveau pendant l'installation afin de réduire le bruit et les vibrations.

Les pieds du lave-linge à hauteur réglable doivent être ajustés afin que le lave-linge soit de niveau et que chaque pied soit fermement à plat sur le sol.

**Si ces procédures ne sont pas suivies, le lave-linge peut être soumis à de fortes vibrations générées par les mouvements importants et niveaux de bruit excessifs qu'il produit.**

**i** Mettre le lave-linge de niveau avant de poser le sèche-linge dessus si vous procédez à une installation lave-linge/sèche-linge superposée.

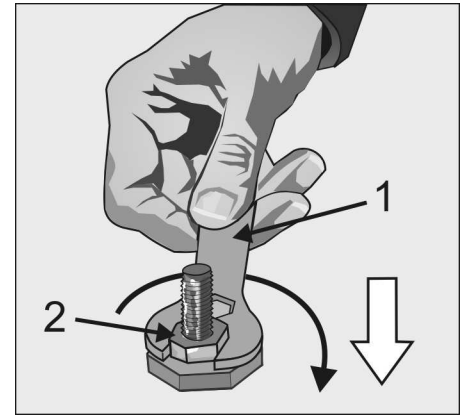
## Actions importantes à mener lors de la mise à niveau

1. Avant de débuter la procédure de mise à niveau de l'appareil, déplacer le lave-linge à l'endroit définitif où vous allez l'utiliser.
2. Ne pas pousser le lave-linge à même le sol si les pieds de mise à niveau de l'appareil sont étendus. Ceci peut endommager le sol ou les pieds de mise à niveau du lave-linge.
3. Commencer par vérifier que les quatre pieds de mise à niveau du lave-linge sont bien rentrés et plaqués contre le fond du lave-linge.
4. En mettant le lave-linge de niveau, faites en sorte que le socle de l'appareil soit aussi près du sol que possible pour réduire les sons et les vibrations pendant le fonctionnement. Déployer les pieds de mise à niveau du lave-linge autant que nécessaire pour le mettre à l'horizontale.
5. Maintenir le pied du lave-linge (la partie caoutchoutée inférieure) à l'aide d'une clé de 36 mm (1 pouce 1/2) ou d'une paire de pinces à joint coulissant tout en serrant le contre-écrou contre le fond du lave-linge. Empêcher le pied de pivoter. Si vous

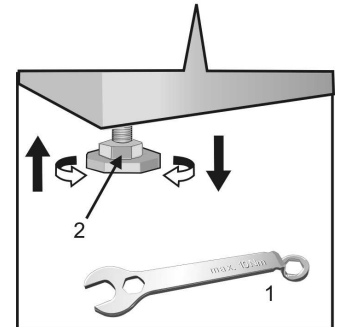
n'empêchez pas le pied de mise à niveau du lave-linge de pivoter lorsque vous faites tourner le contre-écrou, la hauteur du lave-linge de cet angle sera modifiée.

## Procédure de mise à niveau

1. Une fois le lave-linge placé dans sa position définitive, vérifier qu'il est de niveau. Pour cela, utiliser un niveau à bulle si vous en avez un. Une autre méthode consiste à placer un grand bol rempli d'eau au centre du dessus du lave-linge. Le niveau de l'eau doit se situer à environ 1/2 po (12,7 mm) du rebord du bol. Si le niveau de l'eau est à égale distance du rebord sur tout le pourtour du bol, le lave-linge est sensiblement de niveau.
2. Appuyer sur chaque angle du lave-linge. Le lave-linge doit être ferme sous la pression et vous ne devez sentir aucun « affaissement » ni déplacement quelconque.
3. S'il se produit un affaissement au niveau d'un angle de la machine, vous devez allonger le pied de mise à niveau sous cet angle. Le pied doit reposer fermement sur le sol.
4. Utiliser la clé de 16 mm (5/8 po) fournie (1) pour faire tourner le contre-écrou dans le sens des aiguilles d'une montre (2). Faire tourner le contre-écrou vers le bas jusqu'à ce qu'il se bloque contre la base du pied. Une fois le contre-écrou bien plaqué contre le pied, le pied tournera en même temps que le contre-écrou lorsque l'on fera tourner le contre-écrou. Ceci vous permettra d'allonger le pied de mise à niveau du lave-linge.

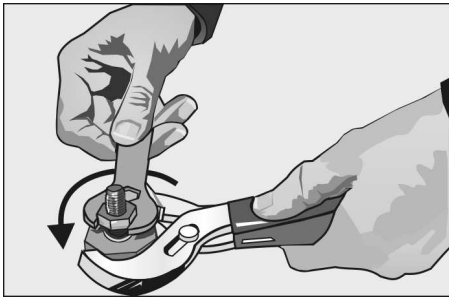


(la figure ci-dessus montre le pied de mise à niveau du lave-linge démonté de l'appareil pour plus de clarté).



5. Faire tourner le pied dans le sens des aiguilles d'une montre pour l'allonger. Continuer de tourner jusqu'à ce que le pied soit bien plaqué contre le sol. Appuyer de nouveau sur l'angle du lave-linge. Lorsque l'angle du lave-linge ne s'affaisse plus, bloquer le pied en serrant de nouveau le contre-écrou contre le fond du lave-linge.
6. Faire tourner le pied dans le sens inverse des aiguilles d'une montre pour le relever. Vous pouvez faire pivoter le pied à l'aide d'une clé de 36 mm (1 pouce 1/2) ou d'une

paire de pinces à joint coulissant. Ne pas tenter de relever le pied en tournant le contre-écrou dans le sens inverse des aiguilles d'une montre. Faire tourner le contre-écrou dans le sens inverse des aiguilles d'une montre uniquement pour le bloquer contre le fond du lave-linge lorsque le pied de mise à niveau est dans la position requise.



7. Maintenir la partie caoutchoutée inférieure du pied du lave-linge à l'aide d'une clé de 36 mm (1 pouce 1/2) ou d'une paire de pinces à joint coulissant pour l'empêcher de pivoter.

(la figure ci-dessus montre le pied de mise à niveau du lave-linge démonté de l'appareil pour plus de clarté).

8. Utiliser la clé de 16 mm (5/8 po) pour tourner le contre-écrou dans le sens inverse des aiguilles d'une montre. **Faire tourner le contre-écrou jusqu'à ce qu'il se trouve en position bloquée contre le fond du lave-linge. Le contre-écrou doit être bien appuyé contre le fond du lave-linge.** Ne pas serrer à l'excès.

**i Important :** Empêcher le pied de mise à niveau du lave-linge de pivoter lorsque vous faites tourner le contre-écrou, sinon la hauteur de l'angle correspondant sera modifiée.

9. Répéter les étapes 2 à 7 pour chaque pied de mise à niveau du lave-linge jusqu'à ce que l'appareil soit de niveau et que les quatre pieds soient fermement appuyés contre le sol.

Le lave-linge ne doit pas osciller ni bouger lorsqu'on appuie dessus au niveau de chaque angle. S'il bouge, refaire la procédure.

Si un pied de mise à niveau du lave-linge doit être relevé (raccourci), il pourra s'avérer nécessaire de réduire le poids exercé sur le pied de façon à ce qu'il puisse pivoter librement.

10. Vérifier périodiquement l'état de la mise à niveau du lave-linge. S'assurer que les quatre pieds restent bien bloqués. Si vous observez un mouvement d'oscillation ou de va-et-vient du lave-linge, vérifier de nouveau la mise à niveau et la position des pieds de mise à niveau de l'appareil.

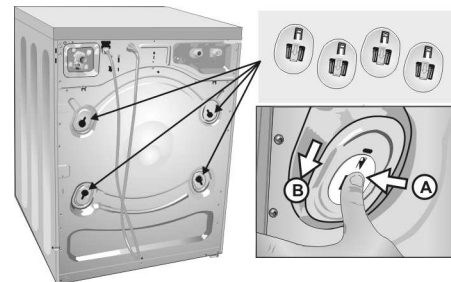
## Transport du lave-linge

Avant de transporter le lave-linge :

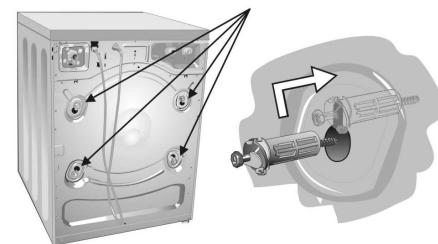
- Refermez les robinets d'eau.
- Débranchez le lave-linge de la prise de secteur.
- Retirer les tuyaux d'alimentation et d'évacuation.
- Monter les jeux de boulons de transport (voir la section ci-dessous).

## Préparation et insertion des jeux de boulons de transport

- Enlever les quatre cache-trous des boulons de transport.



- Préparer les jeux de boulons de transport : Desserrer la vis à l'intérieur du manchon jusqu'à ce que l'extrémité de la vis soit de niveau avec l'extrémité du manchon.



- Installer et serrer tous les jeux de boulons de transport. S'assurer que la languette située sur le boulon de transport est insérée dans la fente sur la face arrière du lave-linge.

# NOTICE D'UTILISATION

## Avant d'utiliser

### AVERTISSEMENT

Lire les CONSIGNES DE SÉCURITÉ IMPORTANTES avant de faire fonctionner cet appareil, afin de réduire le risque d'incendies, de décharges électriques ou de blessures corporelles.

### AVERTISSEMENT

Avant d'utiliser votre lave-linge, lire et suivre toutes instructions d'installation et opération.

## Le bandeau de commande

### le sélecteur de cycle

Il sert à allumer et éteindre la machine et à sélectionner le programme voulu. Ce programmeur peut tourner dans les deux sens.

**Ecran d'affichage** affiche les réglages que vous avez sélectionnés ou que vous voulez changer (par ex. la vitesse d'essorage, l'heure de fin, le trempage, l'heure et la protection enfants, ainsi que le stade d'avancement du programme).

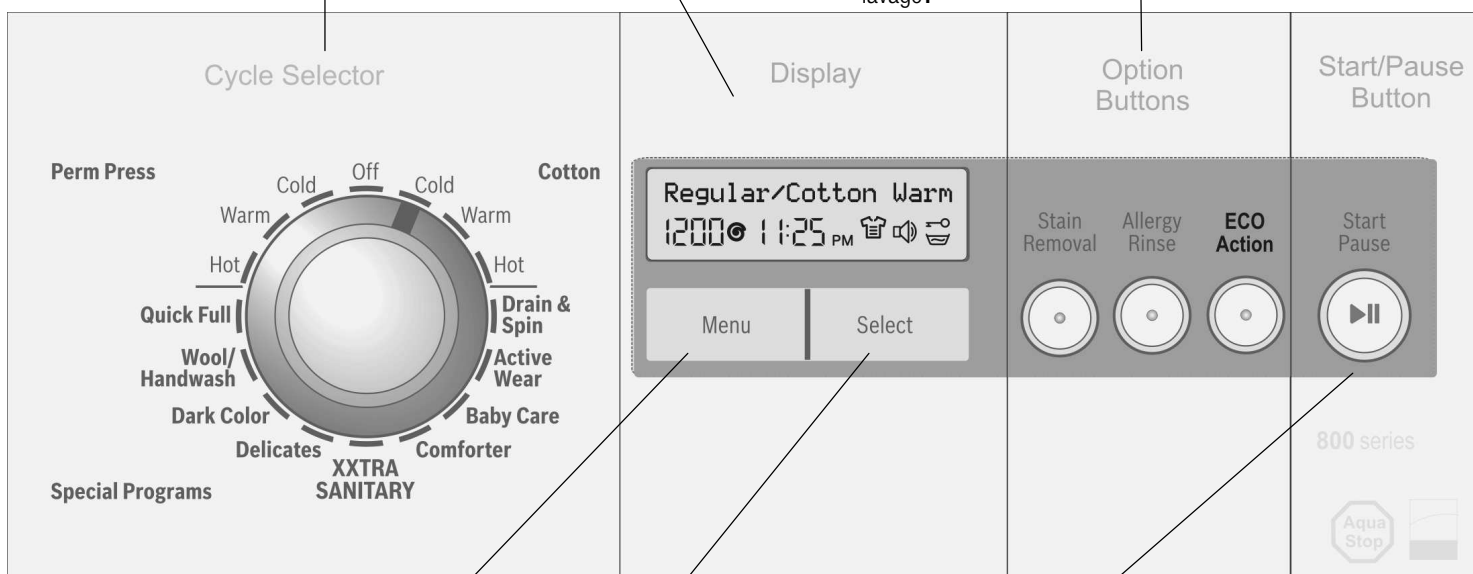
### Boutons des options

vous pouvez les ajouter au programme si nécessaire

**Retrait des taches** : Durée de lavage supplémentaire avec sélections de température supplémentaires pour une meilleure élimination des taches.

**Rinçage anti-allergies** : Cycle de rinçage supplémentaire pour une action de rinçage plus poussée.

**ECO Action**<sup>®</sup> : Cette option permet de réduire la quantité d'énergie nécessaire au fonctionnement du programme de lavage.



### Bouton Menu

Ce bouton sert à choisir les réglages que vous voulez modifier.

### Bouton Select

Ce bouton change tous les réglages sur l'écran d'affichage.

### Start/Pause Bouton

Active ou interrompt le cycle de lavage (le programme doit être sélectionné avant d'appuyer sur la touche Start/Pause [Démarrage/Pause]).

### Start/Pause Voyant indicateur

Le voyant clignote en rouge : vous pouvez modifier les réglages, lancer un cycle de lavage, le hublot est verrouillé pour des raisons de sécurité, la protection enfants est active ou le programme se trouve en mode «Pause».

Le voyant est allumé en rouge : ceci signifie qu'un programme est en cours d'exécution. Vous pouvez appuyer sur le bouton «Pause».

**off**: Program is finished or no program has been selected or the door is open.

# Avant d'utiliser l'appareil pour la première fois

## ⚠ AVERTISSEMENT

Lire les CONSIGNES DE SÉCURITÉ IMPORTANTES avant de faire fonctionner cet appareil, afin de réduire le risque d'incendies, de décharges électriques ou de blessures corporelles.

Le lave-linge doit avoir été correctement installé et raccordé (reportez-vous à la page 67).

Régler le sélecteur de cycle sur un cycle quelconque pour mettre le lave-linge sous tension et activer l'écran. Régler le sélecteur de cycle sur la position d'arrêt (Off) pour mettre le lave-linge hors tension.

## ⚠ AVERTISSEMENT

Avant d'utiliser votre lave-linge, lire et suivre toutes instructions d'installation et opération.

# Utilisation pour la première fois

## Réglage de l'heure

**i** L'horloge doit être mise à l'heure avant que d'autres réglages puissent être effectués.

Vous pouvez régler l'heure actuelle. Les réglages demeurent même si vous ne vous servez pas du lave-linge pendant un maximum de 6 semaines.

- ❑ Réglez le programmeur sur la programme voulu.

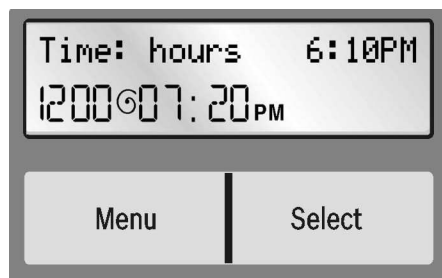
### Exemple:



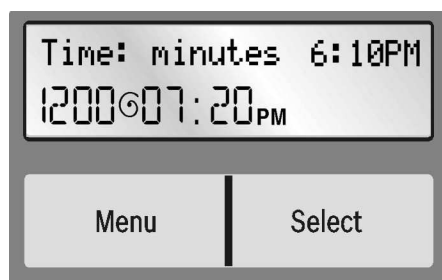
- ❑ Appuyez sur le bouton **Menu** jusqu'à ce que la mention «Temps:» s'affiche. L'affichage de l'heure clignote.

Le voyant indicateur **Start/Pause** clignote en rouge.

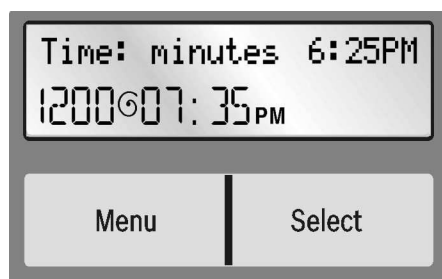
- i** Si vous n'appuyez sur aucun bouton dans les 10 secondes qui suivent, le contenu d'écran revient sur la position normale «Prêt». L'appareil mémorise les réglages modifiés.



- ❑ Appuyez sur le bouton **Select** jusqu'à ce que l'affichage des heures soit correct.



- ❑ Appuyez sur le bouton **Menu** jusqu'à ce que l'affichage des minutes clignote.



- ❑ Appuyez sur le bouton **Select** jusqu'à ce que l'affichage des minutes soit correct. L'heure est maintenant correctement réglée.

Appuyez sur le bouton **Menu**. La fonction de menu se désactive.

Vous pouvez sélectionner d'autres réglages en appuyant sur le bouton **Menu** et les modifier en appuyant sur le bouton **Select**.

## Sélection de la langue

**i** L'horloge doit être mise à l'heure avant que d'autres réglages puissent être effectués.

**i** Il faut préalablement avoir ramené le programmeur sur **Off**.

- ❑ Appuyez simultanément sur les boutons **Menu** et **Select** et maintenez-les appuyés pendant 5 secondes jusqu'à ce que la langue actuellement réglée s'affiche.



- ❑ Appuyez sur le bouton **Select** jusqu'à ce que la langue voulue s'affiche.

- ❑ Confirmez la sélection de la langue en appuyant sur le bouton **Menu**.

**i** La sélection de la langue peut être confirmée en appuyant sur le bouton **Menu** ou en laissant la langue sélectionnée affichée pendant cinq secondes.

## Zone d'affichage

Sur la première ligne, le texte indiquant la progression du fonctionnement et du programme est affiché sur la gauche. L'heure actuelle est affichée sur la droite lorsque « Ready » (Prêt) est affiché sur la gauche.

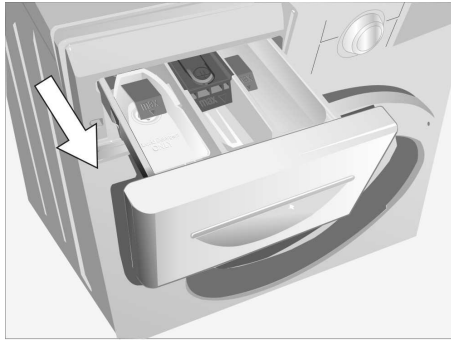
Sur la deuxième ligne sont indiqués la vitesse de rotation et l'heure à laquelle le programme doit se terminer, ainsi que les symboles qui correspondent aux fonctions Spin speed (Vitesse de rotation), Washing mode (Mode de lavage), Pre-Soak (Prétrempage), Signal et Child lock (Verrouillage enfants).

## Premier cycle de lavage (sans linge)

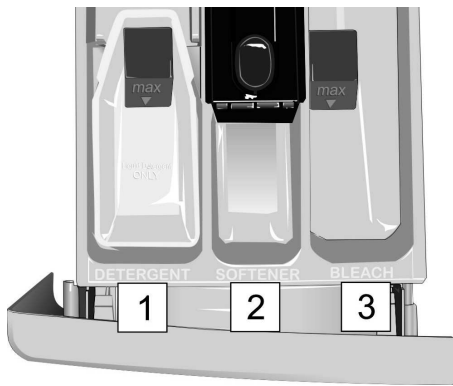
Votre appareil a été soigneusement testé avant de quitter l'usine. Il se peut qu'une petite quantité d'eau résiduelle soit restée à l'intérieur du lave-linge. Pour garantir la fraîcheur du linge lors de la première utilisation de la machine, réaliser tout d'abord un cycle de lavage complet à vide, sans mettre de linge à l'intérieur du tambour.

1. Ne chargez pas de linge dans le tambour.

2. Ouvrez le robinet d'eau.



3. Ouvrir le tiroir-distributeur de détergent.



4. Verser 1 à 2 cuillerées à soupe de détergent dans le compartiment principal pour détergent (1 sur l'illustration précédente).

**i** N'utilisez pas de détergent pour textiles délicats ou pour la laine (risque d'une production excessive de mousse).

5. Refermer le tiroir-distributeur de détergent.

6. S'assurer que le hublot du lave-linge est fermé.

7. Réglez le programmateur sur **Regular/Cotton Hot** (Couleurs / Coton Avec ajout de chaleur).

8. Le voyant indicateur **Start/Pause** clignote en rouge.

9. Appuyez sur le bouton **Start/Pause**.

**i** Les étapes individuelles du programme s'affichent sur l'écran.

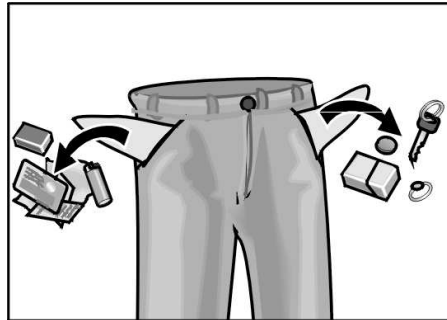
Si la mention «Enlever le linge» s'affiche:

- Ouvrez le hublot.
- Ramenez le programmateur sur **Off**.

## Préparation du linge

### NOTICE

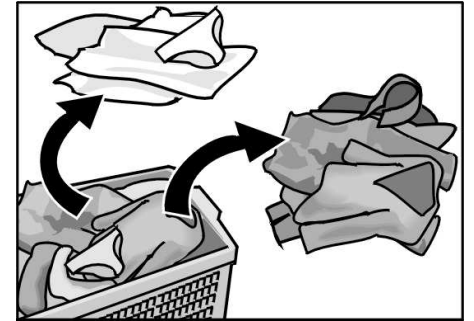
Les objets divers (par ex. pièces de monnaie, trombones, aiguilles, clous et d'autres objets durs) peuvent, pendant le lavage, endommager le linge ainsi que certaines pièces du lave-linge (le tambour par ex.).



- Videz toutes les poches que comporte le linge.
  - Brossez les bourres, le sable et les salissures.
  - Fermer les attaches qui peuvent s'accrocher à la lessive car le linge risque de s'enchevêtrer. Ceci comprend les fermetures à glissière, les couettes boutonnées (housse de couette) et les agrafes des soutiens-gorge.
  - Enlevez les roulettes des rideaux ou liez-les dans un filet.
  - Enlevez les barrettes, boutons, boucles et d'autres objets durs pour les empêcher de rayer l'intérieur du lave-linge.
  - Enlevez les garnitures et ornements non lavables.
  - Retrousssez les tricotés synthétiques pour éviter qu'ils pèlent.
  - Traitez les salissures et les taches.
- Pour éviter toute perte ou dommage au linge et à la machine, les articles suivants doivent être lavés uniquement dans un sac-filet à lessive :
- Chaussettes de bébé (petits articles)
  - Collants et bas
  - Ceintures
  - Les soutiens-gorge avec armatures de maintien (car les armatures risquent de se défaire pendant le lavage et d'endommager la machine).

## Tri du linge

Selon sa couleur et son degré de salissure



### NOTICE

Certaines pièces de linge risquent de déteindre. Ne lavez jamais le linge de couleur avec du linge blanc.

Les articles blancs risquent de devenir gris s'ils sont lavés avec des articles sombres. Toujours laver séparément le blanc et les articles de couleur.

## Degrés de salissures

### Linge peu sale

Absence de salissures ou taches visibles mais présence possible d'odeurs de transpiration.

- Lingerie légère d'été.
- T-shirts, chemises et chemisiers portés seulement une journée.
- Linge de lit, serviettes des invités, utilisés seulement un jour.

### Linge normalement sale

Salissures et/ou certaines taches légères visibles.

- T-shirts, chemises et chemisiers très imprégnés de transpiration et portés plusieurs jours.
- Serviettes de table, serviettes de toilette, et linge de lit utilisés pendant une semaine maximum.
- Rideaux (sans taches de nicotine) qui n'ont pas été lavés depuis 6 mois.

### Linge très sale

Salissures et/ou taches visibles.

- Les essuie-mains qui ont été utilisés pendant plusieurs jours ou qui sont visiblement sales.
- Nappes textiles.
- Bavettes de nourrisson.
- Vêtements de plein air pour enfants ou maillots de football et shorts comportant des taches d'herbe et de terre.
- Les vêtements de travail comme ceux utilisés à l'extérieur ou pour le jardinage.



## Taches typiques

- Les sauces, le thé, le café, le vin rouge, les fruits et les légumes.
- Thé, café, vin rouge, fruits, légumes.
- Sang, tache d'œuf, de lait, d'amidon (à base de protéines / hydrates de carbone).
- Suie, terre, sable (pigments), argile rouge.

## Détachage

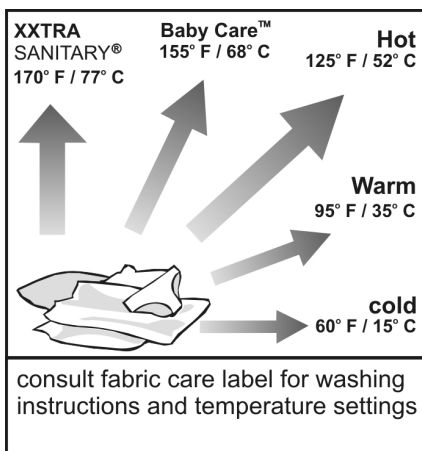
Chaque fois possible, enlevez / prétraitez les taches tant qu'elles sont fraîches.

Commencez par tamponner de l'eau savonneuse sur la tache. Ne frottez pas.

Ensuite, lavez les pièces de linge tachées à l'aide du programme approprié.

Il faudra parfois plusieurs lavages pour parvenir à supprimer les taches rebelles / qui avaient eu le temps de sécher avant le détachage.

## Tri du linge en fonction des symboles d'entretien figurant sur leur étiquette d'entretien



## Types de tissu

- Lavage en machine, coton
- Lavage en machine, linge infroissable
- Lavage en machine, linge délicat
- Lavage à la main

## Températures

- Froid
  - Chaud
  - Très chaud
- Ne lavez jamais en machine du linge arborant une étiquette d'entretien avec la mention «Do Not Wash» (Ne pas laver) ou le symbole DO NOT WASH

## Chargement du linge

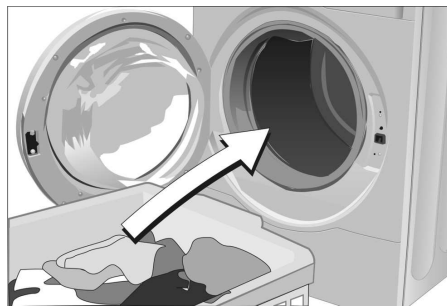
### **AVERTISSEMENT**

Risque d'explosion!  
Les pièces de linge prétraitées avec un produit de nettoyage, par un produit détachant ou de nettoyage à sec, chacun à base de solvant, créent un risque d'explosion une fois chargées dans le lave-linge. Commencez par conséquent par rincer soigneusement ce linge à la main.

### **NOTICE**

Les corps étrangers présents dans le tambour du lave-linge peuvent abîmer le linge. Avant de charger le linge, vérifiez l'absence de corps étrangers dans le tambour.

- Ouvrez le hublot.



- Placer les articles de manière lâche à l'intérieur du tambour. Mélanger les articles légers et volumineux. Les articles de tailles différentes seront mieux répartis pendant le cycle d'essorage.

Ne dépassez pas la limite maximale de chargement : une surcharge empêchera le linge de se laver correctement et favorisera le froissage.

Pour de meilleurs résultats, il est recommandé de mettre les vêtements dans le tambour selon le type de tissu.

### **Pleine charge**

Coton et lingerie de corps

### **1/2 charge**

Pressing permanent, synthétiques et tricots

## 1/3 de la charge

Laine, linge délicat, soie

- i** Ne pas dépasser la charge maximale recommandée pour le cycle sélectionné. Toute surcharge risque de donner de mauvais résultats de lavage et de rendre le linge plus froissé.
- Charger le tambour au moins de moitié pour les cycles Cotton (Coton) et Permanent Press (Tissus infroissables). Les petits volumes de linge ont tendance à déséquilibrer la machine.
- Fermer complètement le hublot. Le hublot doit se fermer facilement. On doit pouvoir fermer le hublot sans avoir à forcer.
- i** Ne pas coincer de linge entre le hublot et le joint en caoutchouc.

## PRODUITS LESSIVIELS ET ADDITIFS DE LAVAGE DU LINGE

### Ajouter la bonne quantité de détergent

### **AVERTISSEMENT**

**POUE EVITER**  
Risque d'empoisonnement !  
Rangez les produits lessiviels et additifs hors de portée des enfants.

La quantité de produit à verser dépend des facteurs suivants :

- La dureté de l'eau. Renseignez-vous auprès de votre compagnie locale distributrice des eaux. Une eau moins dure requiert moins de détergent.
- La quantité de linge.
- Le degré de salissure. Des informations sur les salissures figurent à la page 52 de la présente notice.
- Les spécifications publiées par le fabricant du produit lessiviel. En utilisant la bonne quantité de produit lessiviel, vous contribuez à réduire la pollution de l'environnement et vous vous assurez des résultats de lavage optimaux.

### Si vous n'avez pas utilisé assez de produit lessiviel :

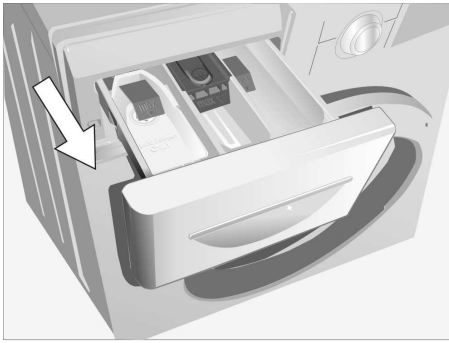
La lessive se lave mal et à la longue deviendra grise et raide. Des taches marron-grisâtre risquent d'apparaître sur la lessive. Le réchauffeur d'eau risque de s'entartrer.

### Si vous avez utilisé trop de produit lessiviel :

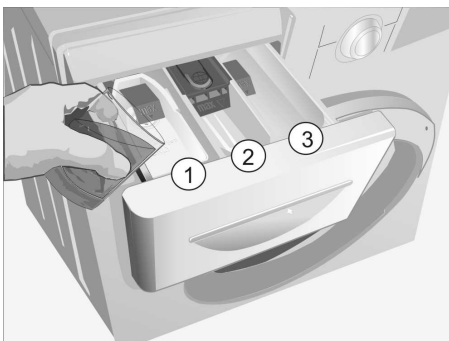
Une mousse excessive réduit l'agitation du linge, ce qui donne de mauvais résultats de lavage et de rinçage et empêche l'essorage de se faire correctement.

## Remplir les compartiments à produits lessiviels et/ou à additifs

- ❑ Ouvrir le tiroir-distributeur de détergent.



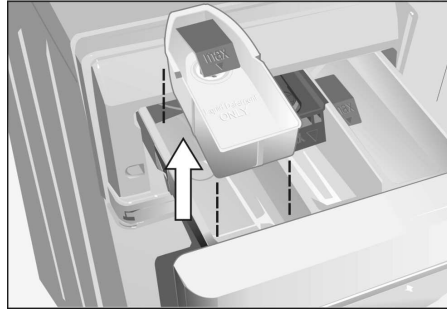
- ❑ Ajouter le détergent liquide et/ou l'additif. Vérifier tout d'abord que le bac à liquide est présent dans le compartiment pour détergent (1). Si vous utilisez un détergent en poudre, lire la remarque ci-dessous concernant le retrait du bac à détergent liquide.



Ne pas trop remplir le compartiment du distributeur afin d'éviter le déversement précoce du produit.

- i** **NE PAS faire fonctionner le lave-linge sans avoir remis le tiroir-distributeur de détergent en place et l'avoir bien refermé !**

- ❑ Si vous utilisez un détergent en poudre, retirer tout d'abord le bac à détergent liquide du compartiment 1



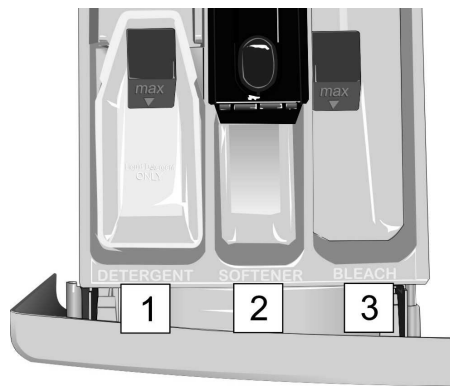
- ❑ Store the liquid detergent insert for later use.

**Nous recommandons d'utiliser les détergents HE car ils sont conçus pour donner des résultats optimaux avec les lave-linge à chargement frontal. Le fait de ne pas employer un détergent HE peut entraîner des problèmes tels que une mousse excessive, des périodes de cycles prolongées ou une baisse de la performance de lavage.**

Rechercher le logo HE (illustré ci-dessous) sur l'emballage du détergent.



## Compartiments du distributeur de détergent



### 1 Compartiment du détergent

- Utiliser pour verser le détergent dans le linge à laver.
- Le détergent liquide doit être utilisé uniquement après avoir mis en place le bac à détergent liquide.
- Ajouter uniquement la quantité de détergent mesurée pour éviter la

formation d'une mousse excessive.

- NE PAS remplir à l'excès – verser le détergent liquide dans le bouchon à siphon jusqu'au niveau de remplissage « maximum » (voir l'illustration ci-dessus).
- Au commencement du cycle de lavage, le détergent se déverse depuis le distributeur dans le linge à laver.
- Si vous utilisez un détergent en poudre, enlevez d'abord le bac à détergent liquide du distributeur.

### 2 Compartiment pour produit assouplissant

- Ajouter la dose recommandée de produit assouplissant.
- NE PAS remplir à l'excès – remplir le bouchon à siphon jusqu'au niveau de remplissage « maximum » (voir l'illustration ci-dessus).
- Tout remplissage excessif peut entraîner un déversement précoce du produit assouplissant.
- NE PAS verser le produit assouplissant directement dans le linge.
- Le produit assouplissant se déversera automatiquement au cours du dernier rinçage.

- i** Ne pas utiliser un produit d'assouplissement avec des vêtements d'extérieur (à savoir les tissus enduits de caoutchouc ou imperméables à l'eau).

### 3 Compartiment pour agent de blanchiment

- Ajouter la dose correcte d'agent de blanchiment liquide ou d'agent de blanchiment sans danger pour les couleurs dans ce compartiment.
- NE PAS remplir à l'excès – remplir le bouchon à siphon jusqu'au niveau de remplissage « maximum » (voir l'illustration).
- Tout remplissage excessif peut entraîner un déversement précoce de l'agent de blanchiment, ce qui pourrait endommager le linge.
- NE PAS verser l'agent de blanchiment liquide directement sur le linge afin d'éviter d'abîmer les tissus.
- L'agent de blanchiment se déversera automatiquement au moment voulu au cours du cycle de lavage.

Les produits assouplissants concentrés ou épais, les produits

assouplissants et les agents de blanchiment en poudre doivent être dilués dans de l'eau avant d'être versé dans le distributeur.

Les agents de blanchiment peuvent entraîner une décoloration des surfaces teintes du lave-linge. Il est important de ne pas verser un agent de blanchiment sur les surfaces teintes de votre lave-linge. Utiliser du papier essuie-tout humecté d'eau pour essuyer les déversements d'agent de blanchiment.



**i** Fermer le tiroir-distributeur de détergent avant de commencer un cycle. S'assurer que le tiroir est bien fermé.

## Décoloration

### NOTICE

Les agents décolorants peuvent contenir du soufre ou du chlore et faire que certaines pièces de l'appareil se corrodent. Par conséquent, ne teignez pas de pièces de linge dans ce lave-linge.

# Cycles et fonctions

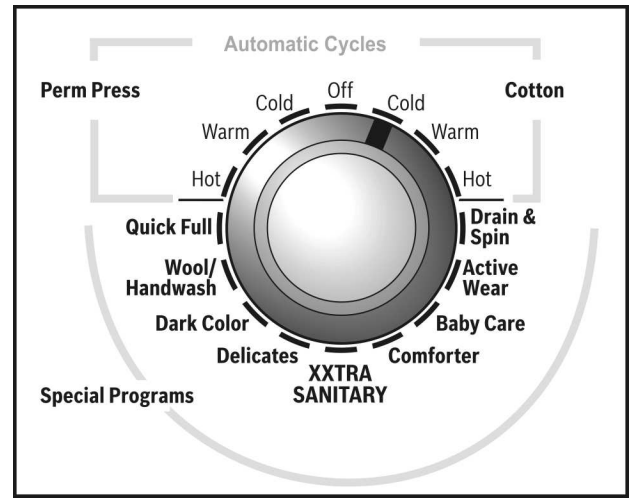
Pour le lavage optimum résulte votre rondelle offre plusieurs groupes de programme et les options supplémentaires.

**Les cycles automatiques** comprennent Regular/Cotton (Normal/Coton) et Permanent Press (Tissus infroissables). La sélection des programmes dépend en partie du type de tissu du linge à laver.

**La durée des cycles varie en fonction du cycle sélectionné, de la température et de la pression de l'eau d'arrivée, de la dureté de l'eau, de la taille de la lessive, du type de tissus et de la quantité de détergent utilisé.**

**Les programmes spéciaux** sont individualisés en fonction des besoins de lavage ou des types de tissus spécifiques.

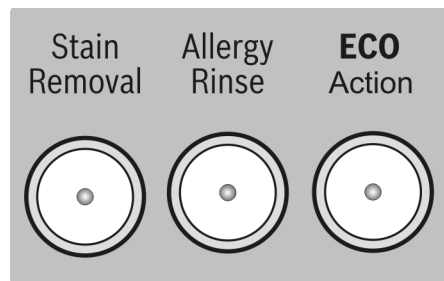
**Des options supplémentaires** peuvent être sélectionnées en appuyant sur l'un des boutons d'option du panneau de commande.



## Vitesses maximales d'essorage selon les programmes

Nombre de tours/minute	Type de linge / Cycle suppl.
1200	Regular/Cotton (Couleurs/Coton)
800	Permanent Press (Synthétiques)
600	Delicates (Déliçats)
400	Wool/Handwash (Lavage à la main)
600	Comforter
900	Quick Full
600	Dark Color
1200	XtraSanitary®
1200	Baby Care™
800	Active Wear™
1200	Drain & Spin

## Boutons des options



### Élimination des taches

Il est recommandé d'utiliser l'option Stain Removal (Élimination des taches) avec les vêtements très sales nécessitant la dissolution des taches tenaces incrustées de protéines. Par contre, l'utilisation de cette option est déconseillée pour le lavage d'un linge normalement ou légèrement sale. La durée de lavage est prolongée.

### Rinçage anti-allergies

Lorsque ce bouton est enclenché, un cycle de rinçage supplémentaire est ajouté au cycle sélectionné. Le deuxième rinçage permet d'éliminer les produits irritants tenaces à l'origine d'allergies.

### ECO Action®

Cette option vous permet de réduire la consommation d'énergie d'un taux pouvant atteindre 20 % en augmentant la durée de lavage. Cette option n'est pas disponible pour les cycles de lavage à l'eau froide.

## Tableau de sélection de cycle

<b>Basic Programs (Programmes de base)</b>		
<b>Regular/Cotton (Linge normal / Coton)</b>		
Pour le coton ou le lin.		salir
<b>Hot (Très Chaud)</b>	Articles robustes, résistants à l'usure, confectionnés en coton ou en lin, dont les vêtements de travail et la lingerie de corps..	Tissus grand teint normalement et/ou fortement tachés.
<b>Warm (Chaud)</b>	Articles robustes, résistants à l'usure, en coton ou en lin comme les jeans, les t-shirts et les polos.	articles légèrement et/ou normalement sales
<b>Cold (Froid)</b>	Articles robustes, résistants à l'usure, en coton ou en lin (dont les teintes peuvent migrer ou s'estomper).	Tissus pouvant déteindre, légèrement sales.
<b>Permanent press (Synthétiques)</b>		
		salir
<b>Hot (Très Chaud)</b>	Vêtements requérant une séquence spéciale de lavage avec agitation et une vitesse d'essorage spéciale pour minimiser le froissage.	Articles grand teint en coton normalement sales, lin infroissable, tissu synthétique ou tissu mixte, et vêtements de dessus.
<b>Warm (Chaud)</b>	Vêtements requérant une séquence spéciale de lavage avec agitation et une vitesse d'essorage spéciale pour minimiser le froissage, tels que les chemisiers, chemises et tabliers.	Articles en coton pouvant déteindre, légèrement et/ou normalement sales, infroissables, en lin, en tissu synthétique ou tissu mixte, et vêtements de dessus.
<b>Cold (Froid)</b>	Vêtements requérant une séquence spéciale de lavage avec agitation et une vitesse d'essorage spéciale pour minimiser le froissage.	Articles en coton pouvant déteindre, légèrement et/ou normalement sales, infroissables, en lin, en tissu synthétique ou tissu mixte, et vêtements de dessus.
<b>Special Programs (Programmes spéciaux)</b>		
<b>Quick wash</b>	Le cycle très court a conçu pour laver un chargement plein de vêtements très légèrement sales.	
<b>Wool / Handwash</b>	Les réglages Lavage à la main servent à laver les pièces de linge très délicates mais faciles à entretenir, qu'il faut habituellement laver à la main. Ces cycles de lavage ont été spécialement conçus pour traiter les textiles très en douceur. Ce cycle permet de laver sans risques tous les lainages, articles en soie ou divers comportant le symbole u de lavage à la main «Hand wash» sur l'étiquette d'entretien.	
<b>Dark Color</b>	Spécialement conçu pour les tissus sombres de couleur, ce programme réduit palîr et rider.	
<b>Delicates</b>	Les réglages Délicats sont destinés aux pièces de linge délicates mais facile à entretenir, en coton, satin, synthétiques ou en textile mélangé, et aux voilages, prêt-à-porter, jupes et chemisiers.	
<b>XXTRASANITARY™</b>	Ce programme a été spécialement conçu pour supprimer les bactéries domestiques les plus courantes tout en ménageant les textiles. Cette option s'utilise avec le linge grand teint très sale et/ou taché qui n'a pas besoin d'être aseptisé tel que les serviettes, la lingerie de corps, les chaussettes, les draps, les nappes et serviettes de table, etc.	
<b>Comforter</b>	Programme spécialement conçu pour les articles de taille importante ou volumineux. La machine utilise davantage d'eau pour parfaire le mouillage du linge et des mouvements de rotation moins vigoureux pour réduire l'étirement du linge.	
<b>Baby Care™</b>	Les cadres de régulier/coton sont voulus être utilisés pour et/ou lourdement sale les tissus grand teint tachés. Fort, les articles de fort—portant faits de coton ou le linge comme les serviettes, les feuilles ou le blanc arborent des chaussettes.	
<b>Active Wear™</b>	Conçu pour soigner des tissus synthétiques utilisés dans la plupart de vêtements d'exercice—relaté (eg. le nylon, le polyester, les mélanges et spandex.	
<b>Drain &amp; Spin</b>	L'eau est vidangée puis une rotation du tambour à vitesse élevée s'ensuit. Rinse & Spin (Rinçage & Essorage – Sélectionner Drain & Spin (Vidange & Essorage), ajouter l'option « Allergy Rinse » (Rinçage anti—allergies). Une phase de rinçage supplémentaire est ajoutée, l'eau est vidangée et un processus d'essorage haute vitesse s'exécute.	

**i** Ne lavez pas le linge multicolore avec d'autres pièces de linge.

# Options du menu ACL et fonctions spéciales

## Récapitulatif rapide

Vous pouvez personnaliser les réglages en fonction de vos besoins.

Vous trouverez ci-dessous un récapitulatif des réglables ajustables sur vos besoins.

Aux pages suivantes, nous décrivons en détail les étapes de modification des réglages.

Choisir un cycle avec le sélectionneur de cycle							
Appuyer le bouton de Menu (suivant de l'aux sélections apparaît dans la séquence)							
Vitesse d'essorage	Fin du programme à heure**	Mode de lavage	Reduced Ironing	Trempage	Signal sonore	Protection enfants	Réglage horloge
Selon le programme et le modèle ; voir page 56.	Réglable par pas de 30 minutes	Normal Rapide Intensif	NON OUI	NON OUI	Eteint Continuel Max	NON OUI	Heures/ Minutes
permet de réduire la vitesse de rotation maximale du programme  Voir la remarque ci-dessous : « Pas d'essorage final »	permet de régler l'heure de fin du programmet  ** Available only if clock is set (see page 51)	mode rapide pour les articles peu sales et une durée de lavage écourtée	mouvement de rotation lent avec duvetage ultérieur pour réduire le froissement	un cycle de prétrempage intégré pour le prétraitement des articles très sales	le signal sonore indique le démarrage ou la fin du programme, les erreurs de fonctionnement ou le fonctionnement défectueux	permet le verrouillage de certaines fonctions du lave-linge afin qu'elles ne puissent pas être modifiées accidentellement	l'horloge doit être réglée pour que l'option Finish at time (Heure de fin) puisse être utilisée

### \*\* « No final spin » (Pas d'essorage final) ("----")

L'eau est vidangée après l'essorage final. Recommandé pour le linge délicat. Utiliser ce réglage pour éviter que les vêtements ne se froissent si vous êtes dans l'impossibilité de les sortir de la machine une fois le cycle terminé.

Appuyez sur le bouton **Select** jusqu'à ce que le réglage voulu s'affiche.

Appuyez sur le bouton **Menu** pour effectuer d'autres réglages ou appuyez sur le bouton **Start/Pause** pour lancer le lavage.

\* Disponible uniquement si l'horloge est réglée (voir page 51)

## Changer A Affiché des Cadres

- i** Avant de régler des options supplémentaires, choisir un programme avec le sélectionneur de programme !



Choisir des cadres en appuyant le bouton de **Menu** et les change en appuyant le bouton **Select**.

Choisir l'option être changée avec le « **Menu** » le bouton. Appuyer le bouton pour transférer à l'option prochaine sur l'exposition. Le symbole actif commence clignoter.

Les cadres d'option actifs actuels sont affichés éloignent.

Ces cadres peuvent être maintenant changés avec le bouton « **Privilégié** ». Appuyer le bouton pour sauter au cadre possible prochain.

- i** Le fait d'appuyer de nouveau sur le bouton « **Menu** » sauvegarde les réglages précédents. Si aucun bouton n'est enfoncé pendant 10 secondes, les réglages sont automatiquement sauvegardés.

### Volume du signal

Le volume du signal sonore peut être réglé par l'utilisateur. Le réglage « **Continuous** » (Continu) permet d'augmenter progressivement le volume du signal en appuyant sur le bouton **Select** (Sélection) et en maintenant ce bouton enfoncé pendant la configuration du signal. Lorsque le volume maximum est atteint, l'affichage de l'écran passe de « **Continuous** » (Continu) à « **Max.** » (Maximum). Sélectionner le signal en appuyant sur le bouton **Menu** pour passer d'une option de menu à une autre.

## Afficher des Symboles

Symbol	Function	Settings
	<b>Washing Mode</b> (lavage)	lavage normal
		lavage rapide
	<b>Stain Removal</b> (lavage intensif)	On/Off
	<b>Pre-Soak</b> (trempage)	On/Off
	<b>Signal</b>	Off, Continuous, Max
	<b>Child lock</b> (protection enfants)	On/Off

Les symboles sont affichés sur le panneau d'affichage à cristaux liquides uniquement si le réglage respectif n'est pas mis sur « **Arrêt** ».

### Protection enfants

Vous pouvez protéger votre lave-linge pour empêcher une modification par inadvertance des fonctions sélectionnées.

Si le verrouillage pour enfants a été sélectionné :

- Impossible de changer quoi que soit pendant le déroulement d'un programme.
- Le hublot reste verrouillé en fin de programme.

### Démarrage d'un programme avec la protection enfants activée

- Réglez le programmeur sur la programme voulu
- Chargez le linge et refermez le hublot

Le voyant **Start/Pause** (Mise en marche/Pause) clignote



- Appuyer sur le bouton **Start/Pause** (Mise en marche/Pause) et le maintenir enfoncé (5 secondes). Le cycle débute. Le voyant est allumé.

Le verrouillage pour enfants est activé.

- i** Pour désactiver le verrouillage pour enfants, appuyer de nouveau sur le bouton **Start/Pause** (Mise en marche/Pause) (pendant 5 secondes) jusqu'à ce que le voyant **Start/Pause** (Mise en marche/Pause) clignote. Vous pouvez à présent modifier les cycles ou les options. Appuyer sur le bouton **Start/Pause** (Mise en marche/Pause) pour activer le verrouillage pour enfants.

### Mise en pause du programme pour Ajouter/Enlever du linge

- Appuyez sur le bouton **Start/Pause** et maintenez-le appuyé pendant 5 secondes. Cette action réactive la protection enfants et le programme s'interrompt.

- i** Un cycle en fonctionnement ayant la fonction de verrouillage pour enfants activée peut être arrêté en mettant le sélecteur de cycle sur la position « **Off** » (Arrêt). Le cycle interrompu se poursuivra lorsque la machine sera rallumée.

### Déchargement de linge à la fin d'un cycle sécurisé par «**Protect-enfants: oui**»

- Appuyez sur le bouton **Start/Pause** et maintenez-le appuyé pendant 5 secondes. Vous pouvez ouvrir le hublot et retirer du linge. Les réglages de la protection enfants demeurent actifs même si vous éteignez le lave-linge.

- i** La fois suivante que vous allumez le lave-linge, la protection enfants se réactive. Le hublot reste verrouillé et impossible de sélectionner des changements. Appuyez sur le bouton **Start/Pause** pendant 5 secondes pour ouvrir le hublot.

### Désactivation du verrouillage pour enfants

- Tournez le programmeur pour mettre l'appareil sous tension.

- ❑ Appuyez sur le bouton **Menu** jusqu'à ce que la mention «Protect-enfants: oui» s'affiche.  
Le symbole «↔» clignote.
- ❑ Appuyez sur le bouton **Select** jusqu'à ce que la mention «Protect-enfants: non» s'affiche.
- i** Vous pouvez activer et désactiver la protection enfants uniquement avant de lancer un programme ou uniquement en mode «Pause».

## Fonctions spéciales

### Adaptation automatique à la charge (Auto Load Adjust)

Cette fonction ajuste automatiquement la consommation d'eau et d'électricité dans chaque programme, elle détermine la quantité de linge et le type de textile.

Cette fonction a été intégrée dans la machine et s'exécute automatiquement.

Le résultat obtenu est une réduction de la consommation d'eau et d'énergie lors du lavage de petites lessives.

### Système antivibrations AVS™ Détection des charges déséquilibrées

Le système AVS™ de détection automatique des charges déséquilibrées détermine si la charge est correctement équilibrée en vue de l'essorage. Si la charge n'est distribuée uniformément, l'essorage devra se remettre en marche. Si après un nombre de tentatives déterminé, la charge est toujours déséquilibrée, l'essorage sera interrompu et la reprise du cycle sera amorcée.

### Durée affichée

En raison de ces fonctions et d'autres pilotées par la commande, la durée réelle d'un cycle peut varier.

Une fois que vous avez sélectionné un programme, la durée prévisionnelle du cycle s'affiche.

Les critères suivants auront un impact sur la durée affichée :

- La charge de linge
- Les tentatives répétées, effectuées par la machine, pour répartir uniformément la charge

- Les cycles de rinçage additionnels en cas de dégagement excessif de mousse
- Pression de l'eau trop basse
- Sélection d'options supplémentaires, p. ex. « Allergy Rinse » (Rinçage anti-allergies)

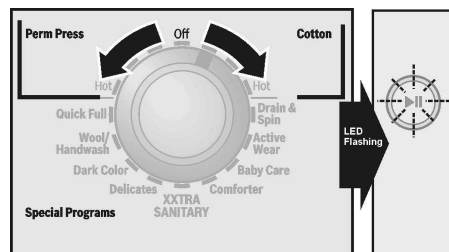
**i** Vous vous rendez peut-être compte des effets de ces critères du fait que la durée affichée augmente ou diminue pendant le déroulement d'un cycle. Si vous n'avez pas choisi d'option et que ces effets ne se manifestent pas, l'heure indiquée sera bien celle à laquelle le cycle prend fin.

## Pendant le lavage

**Une légère secousse peut se produire au niveau du système de tambour de la machine au moment où le tambour accélère pour atteindre une vitesse d'essorage plus élevée, ceci en raison d'un déséquilibre normal du linge.**

### Nouvelle sélection d'un programme

- ❑ Si l'option de verrouillage pour enfants est active, la désactiver provisoirement (voir page 59).
- ❑ Ramenez le programmeur sur **Off**.
- ❑ Réglez le programmeur sur un nouveau programme.



- ❑ Si nécessaire, modifiez les réglages; voir page 59.
- ❑ Appuyez sur le bouton **Start/Pause**. Le programme démarre.

## Rajout de linge / Interruption du programme

Vous pouvez rajouter du linge ultérieurement dans le tambour, en retirer ou interrompre l'exécution d'un programme à tout moment.

Nous déconseillons de rajouter du linge une fois terminée la phase de lavage.

### Sans la protection enfants

- i** Vous pouvez ajouter ou enlever du linge du moment que le voyant Start/Pause (Mise en marche/Pause) clignote et que vous ne risquez rien.
- ❑ Appuyez sur le bouton **Start/Pause**. Les mentions suivantes s'affichent successivement: «Pause», «Rajout linge possible».
- ❑ Ouvrez le hublot.
- ❑ Ajoutez / Enlevez du linge.
- ❑ Refermez le hublot.
- ❑ Appuyez sur le bouton Start/Pause (Mise en marche/Pause). Le cycle se poursuit. Le voyant est allumé.

**i** Lorsque le voyant Start/Pause (Mise en marche/Pause) est allumé, le cycle peut être interrompu. Toutefois, dans certains cas, le hublot ne sera pas déverrouillé pour des raisons de sécurité (volume d'eau, température de l'eau ou vitesse du tambour élevés).

### Protection enfants activée

**i** Référez-vous à la section de la Cerradura del Niño, (véase en la página 59).

### Annulation d'un programme en cours

Si vous voulez arrêter un programme et retirer le linge :

- ❑ appuyez sur le bouton **Start/Pause**
- ❑ Si la protection enfants est active : appuyez sur le bouton **Start/Pause** et maintenez-le appuyé pendant 5 secondes.
- ❑ Si la lessive est trop mouillée, régler le sélecteur de cycle sur Drain/Spin (Vidange/Essorage) et



exécuter le cycle à une vitesse appropriée pour le type de linge (voir les vitesses d'essorage suggérées, page 56).

- i** Si un cycle est interrompu à une température élevée, le hublot restera verrouillé jusqu'à ce que l'appareil ait refroidi.
- i** Si le cycle est interrompu en mettant l'appareil à l'arrêt, le hublot restera verrouillé jusqu'à ce que l'appareil soit remis en marche. Régler le sélecteur de cycle sur n'importe quel autre cycle. Le hublot se déverrouillera environ 5 secondes après.

## Après le lavage

Le voyant du bouton **Start/Pause** s'éteint.

Mention affichée : «Enlever le linge».



- Ramenez le programmateur sur **Off**.



- Fermez les robinets d'eau.
- Retirez le linge.

### NOTICE

Vérifiez à l'occasion la présence de corps étrangers (par ex. pièces de monnaie, trombones, etc.) entre le tambour et le joint en caoutchouc – **Pour Eviter risque de rouille!**

- i** Laissez le hublot ouvert pour que l'intérieur de la machine puisse sécher.

# Instructions de maintenance par l'utilisateur

## Nettoyage et entretien

### **⚠ AVERTISSEMENT**

Pour réduire les risques d'incendie, de choc électrique ou de lésions corporelles, toujours suivre les **CONSIGNES DE SÉCURITÉ IMPORTANTES** (voir page 37).

### **⚠ AVERTISSEMENT**

**RISQUE DE CHOC ELECTRIQUE !**  
Avant de nettoyer l'appareil, débranchez toujours sa fiche mâle de la prise de courant.  
Ne nettoyez jamais l'appareil avec un nettoyeur sous pression.

### **⚠ AVERTISSEMENT**

**RISQUE D'EXPLOSION !**  
N'utilisez jamais de solvants inflammables pour nettoyer le lave-linge.

## Nettoyage du corps de l'appareil et du bandeau de commande

Si nécessaire :

- ❑ Utilisez de l'eau savonneuse chaude ou un détergent doux et non abrasif.
- ❑ Sécher à l'aide d'une serviette douce.

## Nettoyage du tambour

Dans le cas où des taches de rouille seraient apparues en raison de corps étrangers restés dans l'appareil (par ex. pièces de monnaie, trombones, aiguilles, clous) :

- ❑ Utilisez un produit de nettoyage sans chlore. Respectez les instructions publiées par son fabricant. N'utilisez jamais de tampons en laine d'acier.

## Le nettoyage du Joint de Porte

Après laver, essuyer le joint pour enlever de l'eau ou du détergent résiduel.

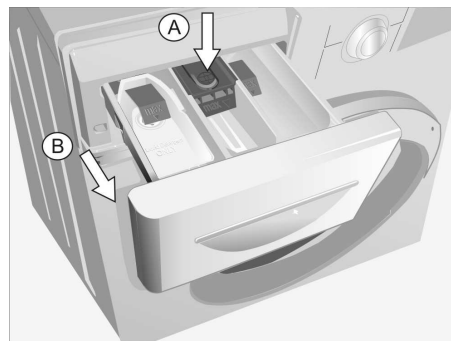
Les problèmes de moule ou odeur peuvent résulter si arrose de le ou le détergent est permis de rester sur le joint.

- ❑ Laisser le tambour s'aérer une fois la lessive terminée en ouvrant partiellement le hublot. Ceci permet à l'air de circuler et de sécher l'humidité pouvant rester dans le tambour ou sur le joint.

## Nettoyage du bac à produits lessiviels

Si des résidus de produit lessiviel ou des additifs se sont accumulés dans le bac, ou si encore de l'adoucisseur liquide / le produit blanchissant n'ont pas été complètement rincés :

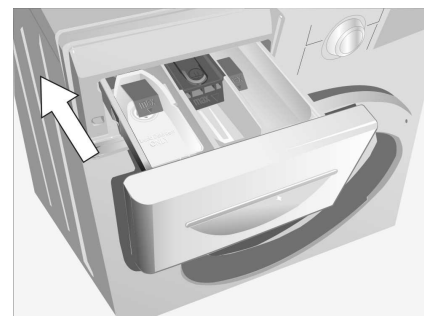
- ❑ Ouvrir le tiroir-distributeur de détergent. Appuyer vers le bas (A) pour dégager le loquet du tiroir. Sortir le tiroir de l'appareil.



- ❑ Retirer le bac pour détergent liquide en le soulevant hors du tiroir pour détergent.



- ❑ Nettoyer le distributeur pour détergent en le mettant sous le robinet d'eau chaude. Essuyer doucement les résidus de détergent.



- ❑ Replacer le bac pour détergent liquide si vous devez utiliser un détergent liquide. Remettre le tiroir-distributeur de détergent en place et fermez-le complètement.

- i** NE PAS faire fonctionner le lave-linge sans avoir remis le tiroir-distributeur de détergent en place et l'avoir bien refermé !

## Nettoyage du ou des filtres à l'eau du robinet

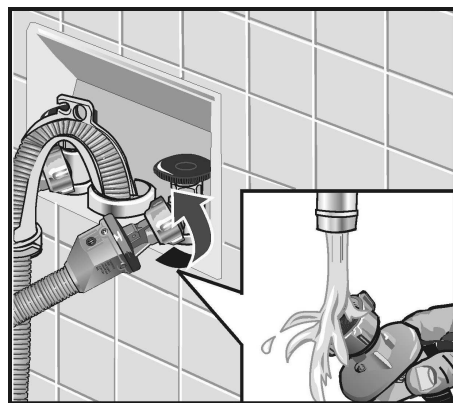
Cette opération s'impose lorsque pas ou très peu d'eau afflue dans le lave-linge.

Commencez par supprimer la pression régnant dans les tuyaux flexibles d'arrivée d'eau :

- Refermez les robinets d'eau.
- Amenez le programmeur sur un programme quelconque (sauf **Spin** (Essorage) ou **Drain** (Vidange)).
- Appuyez sur le bouton **Start/Pause** et attendez que la mention «Robinet d'eau fermé ?» s'affiche.
- Ramenez le programmeur sur **Off**.

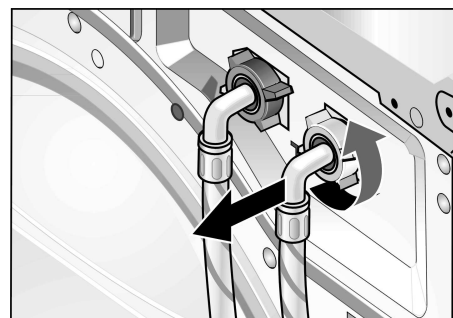
## Nettoyage du/des crible(s) équipant le robinet d'eau

Opérations à réaliser sur les raccords d'eau chaude et d'eau froide :

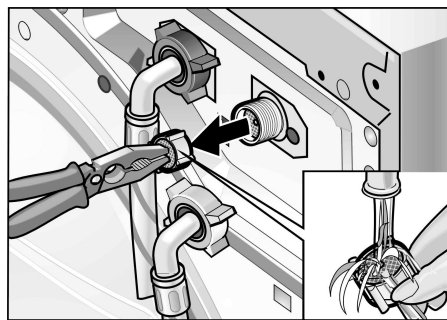


- Disconnect the hose from the water faucet.
- Rinse the strainer under running water.
- Reconnect the hose.

## Cleaning the strainers on the washing machine



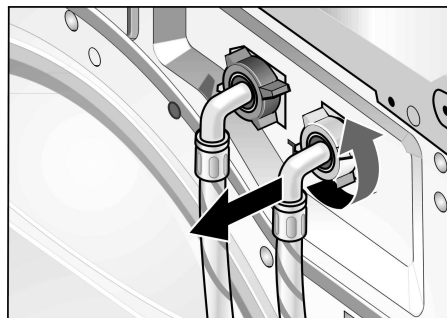
- Disconnect the hose from the back of the washing machine.



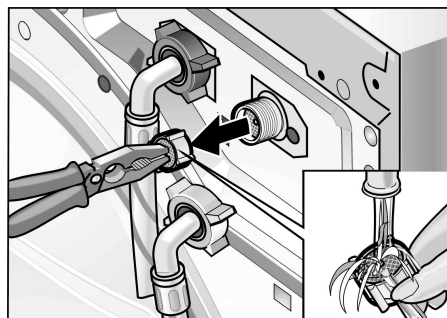
- Débranchez le tuyau flexible du robinet.
- Rincez le crible sous l'eau du robinet.
- Rebranchez le tuyau flexible.

## Nettoyage des cribles équipant le lave-linge

Opérations à réaliser sur les raccords d'eau chaude et d'eau froide :



- Débranchez le tuyau flexible situé au dos du lave-linge.



- Extrayez le crible puis rincez-le sous l'eau du robinet.
- Insérez le crible puis rebranchez le tuyau.
- Rouvrez les robinets d'eau et vérifiez que l'eau ne fuit pas au niveau des raccords. Si elle fuit, vérifiez si vous avez correctement remis le crible en place.
- Refermez les robinets d'eau.

## Conseils de nettoyage

Nous vous recommandons de faire circuler dans le lave-linge une petite quantité de javel à usage ménager tous les trois mois.

Faites marcher le lave-linge de la façon suivante, sans mettre de linge :



- Verser 1/2 tasse d'agent de blanchiment dans le compartiment pour détergent (1) du distributeur.
- Exécutez le programme couleurs/coton chaud.

## Détartrage du lave-linge

### NOTICE

Les produits de détartrage contiennent des acides susceptibles d'attaquer certaines pièces du lave-linge et de décolorer le linge.

A condition d'utiliser le type correct de produit lessiviel, vous n'aurez pas besoin de détartrer le lave-linge.

Si des taches blanches, de calcaire ou minérales apparaissent à l'intérieur du tambour du lave-linge, vous pourrez utiliser un produit détartrant pour les enlever.

Si toutefois un détartrage s'impose, veuillez suivre les instructions publiées par le fabricant du produit de détartrage.

# Remédier soi-même aux petites pannes

## AVERTISSEMENT

### RISQUE DE CHOC ELECTRIQUE !

Les réparations ne pourront être réalisées que par un technicien agréé.

Si des réparations s'imposent ou si, malgré le tableau ci-dessous, vous ne parvenez pas à supprimer le défaut par vous-même :

- Ramenez le programmeur sur **Off**.
- Débranchez le lave-linge de la prise de courant.
- Refermez les robinets d'eau.
- Appelez le service après-vente (reportez-vous à la page 67).

Les articles de dépannage ont été énumérés au-dessous de ne pourraient pas être couverts par le service de garantie !

S'il vous plaît soigneusement éliminer n'importe quel de ces problèmes avant d'appeler le service.

Dérangement	Cause possible	Remède
Allongement de la durée du programme.	Ce n'est pas un défaut. La fonction détectrice de mousse a ajouté un cycle de rinçage supplémentaire pour réduire la quantité de mousse.	La fois suivante, versez une quantité adéquate de produit lessiviel.
	Ce n'est pas un défaut. Le système de compensation du déséquilibre tente d'équilibrer la charge par le biais de mouvements de rotation répétés.	Chargez toujours le tambour en mélangeant les grandes <b>et</b> petites pièces de linge.
	Ceci n'est pas une anomalie. La quantité de lessive est importante et nécessite plus de temps.	Prévoir une durée de lavage plus longue pour de grosses lessives.
Impossible d'ouvrir le hublot.	Protection enfants activée.	Désactivez la protection enfants, voir page 59
	Coupure de courant.	Le programme interrompu reprendra une fois le courant revenu. Si vous voulez enlever le linge pendant la coupure de courant, appelez le SAV (voir page 67).
	Programme en cours et/ou hublot verrouillé pour des raisons de sécurité.	Attendez la fin du programme ; voir page 60.
	Fiche mâle incorrectement ou pas branchée. Programmeur ramené sur <b>Off</b> avant la fin du programme.	Supprimez-en la cause. Sélectionnez un programme.
Impossible d'ouvrir le hublot, même en éteignant puis rallumant l'appareil.	Protection enfants activée.	Désactivez la protection enfants, voir page 59
	Pour des raisons de sécurité, le hublot s'est verrouillé à cause du niveau d'eau, de la température ou de la vitesse élevée du tambour.	Voir «Ajouter du linge/Interruption du programme», page 60.
Le programme continue bien que vous ayez éteint puis rallumé l'appareil.	Protection enfants activée.	Désactivez la protection enfants, voir page 59
L'appareil ne peut pas fonctionner. Présence de la mention «Protec-enfants: oui» sur l'écran.	Protection enfants activée.	Désactivez la protection enfants, voir page 59
Les voyants de commande ne s'allument pas.	Un fusible est grillé.	Remplacez le fusible protégeant le circuit électrique qui alimente l'appareil.
	Coupure de courant.	Appelez le service après-vente si le défaut persiste. Le programme interrompu reprendra une fois le courant revenu. Si vous voulez enlever le linge pendant la coupure de courant, appelez le SAV (voir page 67).
Le programme ne démarre pas, le voyant de <b>Start/Pause</b> clignote.	Vous n'avez pas appuyé sur le bouton Start/Pause.	Appuyez sur le bouton <b>Start/Pause</b> .

Dérangement	Cause possible	Remède
Le programme ne démarre pas. La mention «Hublot ouvert?» s'affiche sur l'écran.	Vous n'avez pas fermé le hublot correctement.	Vérifiez si du linge est coincé entre le hublot et le joint. Fermes le hublot (un «clac» doit se faire entendre). Le programme poursuit.
Le programme ne démarre pas. La mention «Départ différé» s'affiche sur l'écran.	Vous avez sélectionné l'heure de fin et l'avez activée.	Aucune. L'appareil démarre automatiquement.
Impossible de régler l'horloge.	Le programme a déjà démarré ; une fois qu'un programme a démarré, impossible de régler l'horloge.	Attendez que le programme se termine.
La mention «Régler l'heure» reste sur l'écran bien que vous ayez appuyé sur le bouton <b>Menu</b> .	Le réglage est passé des heures aux minutes ; ces deux étapes de sélection comportent le même texte.	Aucune.
Aucune heure affichée.	Heure pas réglée.	Réglez l'heure ; voir page 51.
Impossible de régler l'heure de fin.	Heure pas réglée. Le programme a déjà démarré ; une fois qu'un programme a démarré, impossible de sélectionner l'heure de fin.	Réglez l'heure ; voir page 51. Avant de faire démarrer le programme, sélectionnez et lancez l'heure de fin voulue; voir page 58.
Impossible de choisir la vitesse d'essorage.	Essorage déjà en cours ; pendant un cycle d'essorage, impossible de changer la vitesse.	Sélectionnez la vitesse d'essorage avant d'essorer.
Impossible de sélectionner la protection enfants.	Le programme a déjà démarré.	Vous pouvez sélectionner la protection enfants en mode Pause.
Résidus de produit lessiviel dans le bac.	Le produit lessiviel était humide ou grumeleux.	Nettoyez et séchez le bac à produits lessiviels ; voir page 62. Servez-vous du capuchon de la bouteille de produit lessiviel pour doser ce dernier.
L'eau ne pénètre pas dans la machine ou la lessive n'est pas dissoute. « Vérifiez le robinet d'eau ! » est affiché dans la zone d'affichage.	Robinet d'eau pas ouvert. Tuyau flexible d'alimentation plié ou coincé. Cribles de filtrage obstrués dans le tuyau flexible d'alimentation. <b>La fonction de sécurité du tuyau Aquastop™</b> es activée. <b>Aquastop™</b> est déclenché Pression de l'eau trop faible.	Ouvrez le robinet d'eau. Le programme poursuit. Supprimez-en la cause. Nettoyez les cribles d'arrivée d'eau, voir page 63. Vérifiez l'indicateur de sécurité (voir page 46). S'il est rouge, remplacez le tuyau. Fermes le robinet d'eau et cherchez la fuite. Supprimez-en la cause.
Eau invisible dans le tambour.	Ce n'est pas un défaut. Le niveau d'eau se situe en-dessous de la partie visible du tambour.	
La solution de lavage n'a pas été vidangée complètement. La mention «Mousse trop ou pompe bouché ?» s'affiche sur l'écran.	Mousse trop ou pompe bouché	Lors de vos prochaines lessives, utilisez moins de détergent. Les détergents spécialement conçus pour votre lave-linge ultra-performant produisent moins de mousse; les lettres "HE" figurent sur l'emballage. Nettoyez le conduit de vidange d'eau et/ou le flexible de vidange d'eau.
De l'eau coule sous la machine.	Le filetage du raccord équipant le tuyau flexible d'alimentation n'est pas suffisamment serré. Fuite dans le tuyau flexible de vidange.	Resserrez le filetage du raccord. Remplacez le tuyau flexible de vidange.
Mousse sortant par le bac à produits lessiviels.	Comme vous avez utilisé trop de lessive ou bien de la lessive non homologuée HE, la pompe n'a pas pu enlever la mousse.	Mélanger 1 cuillerée à soupe de produit assouplissant et 1/2 pinte (1/4 litre) d'eau et verser le tout dans le compartiment pour détergent (sauf dans le cas de tissus de plein air (impermeables)). Utilisez moins de détergent pour les lessives futures. Les détergents spécialement conçus pour votre lave-linge Haute Efficacité produisent moins de mousse et auront les lettres « HE » imprimées sur l'emballage (rechercher le symbole « HE » sur l'emballage).
Essorages répétitifs.	Ce n'est pas un défaut. Le système de détection de charge déséquilibrée tente d'équilibrer la charge par le biais de mouvements de rotation répétitifs.	Toujours mélanger plusieurs articles volumineux et de petite taille dans le tambour.

Dérangement	Cause possible	Remède
Le linge n'a pas été essoré. (La lessive est calme se mouille).	Les articles volumineux se sont enchevêtrés et n'ont pas pu être répartis de manière uniforme dans le tambour. Pour des raisons de sécurité, le cycle d'essorage à haute vitesse a été automatiquement annulé. Charger la taille trop petite	Toujours mélanger plusieurs articles volumineux et de petite taille dans le tambour. Ajouter plus de lessive.
Résultat de lavage insatisfaisant.	Une eau trop savonneuse est causée par une quantité excessive de détergent, ou par l'utilisation d'un détergent non haute efficacité Le linge était plus sale que vous ne le pensiez. Pas assez de produit lessiviel.	Mélanger 1 cuillerée à soupe de produit assouplissant et 1/2 pinte (1/4 litre) d'eau et verser le tout dans la chambre du distributeur de détergent principale ; réduire la quantité de détergent utilisée ; utiliser un détergent HE. (rechercher le symbole « HE »). Sélectionnez le programme de lavage adapté ou <b>Stain removal (Élimination des taches)</b> comme option supplémentaire. Ajoutez du produit lessiviel en respectant les spécifications du fabricant.
Présence de résidus de produit lessiviel sur le linge.	Certains produits lessiviels sans phosphate contiennent des résidus insolubles dans l'eau qui se manifestent sous forme de taches claires sur le linge.	Brossez ces taches une fois le linge sec.
Résidus gris sur le linge.	Accumulation de salissures dues à des pommades, matières grasses ou huiles.	Verser la quantité maximale de produit lessiviel puis sélectionnez la plus haute température admise par ce linge.
La machine frémit ou tremble lorsqu'elle passe d'une vitesse d'essorage basse à une vitesse élevée	La suspension du tambour peut se décaler pendant l'accélération. Il ne s'agit pas d'un défaut.	Pour minimiser cet effet, mélangez les petites et grandes pièces de linge dans une charge de linge.

## Affichage des dérangements

Texte affiché sur l'écran	Cause possible	Remède
«Robinet d'eau fermé ?»	Robinet d'eau pas ouvert. Flexible d'alimentation plié ou écrasé. Crible obstrué dans le flexible d'alimentation. Pression de l'eau trop faible.	Ouvrez le robinet d'eau. Le programme poursuit. Supprimez-en la cause. Nettoyez les cribles d'arrivée d'eau, voir page 62. Supprimez-en la cause.
«Mousse trop ou pompe bouché?»	La fonction de sécurité du tuyau Aquastop™ est activée. Mousse trop ou pompe bouché	Vérifiez l'indicateur de sécurité (voir page 13). S'il est rouge, remplacez le tuyau. Lors de vos prochaines lessives, utilisez moins de détergent. Les détergents spécialement conçus pour votre lave-linge ultra-performant produisent moins de mousse; les lettres "HE" figurent sur l'emballage. Nettoyez le conduit de vidange d'eau et/ou le flexible de vidange d'eau.
«Hublot ouvert!»	Vous n'avez pas fermé le hublot correctement.	Vérifiez si du linge est coincé entre le hublot et le joint. Refermez le hublot.
<b>Aquastop™</b> Activated (Activé)	<b>Aquastop™</b> est déclenché	Fermez le robinet d'eau et cherchez la fuite.
Le processus de lavage est arrêté. « Aquastop activated » (Aquastop activé) est affiché dans la zone d'affichage.	<b>Aquastop™</b> est déclenché	Localiser et réparer la fuite. Vérifier tous les branchements. Contacter le service après-vente pour réinitialiser la fonction <b>Aquastop™</b> (se reporter à la page 104).

Si vous ne parvenez pas à supprimer le défaut malgré les conseils figurant dans le tableau ci-dessus, attendez 5 secondes, éteignez l'appareil, rallumez-le, sélectionnez le programme et faites-le redémarrer.

Si le défaut persiste, appelez le service après-vente ; voir page 32.

# Service Après-Vente (SAV)

Ce lave-linge ne demande aucun entretien particulier autre que les opérations de nettoyage et entretien précédemment mentionnées. Si votre lave-linge vous cause des problèmes, reportez-vous au contenu de la page 64 avant d'appeler le SAV.

Si des opérations de SAV s'avèrent nécessaires, veuillez contacter votre installateur ou un point de SAV agréé. Ne tentez pas de réparer l'appareil par vos propres moyens. Toute réparation accomplie par des personnes non autorisées risque de vous faire perdre le bénéfice de la garantie.

Si le lave-linge vous cause un problème quelconque, et si les prestations reçues ne vous ont pas satisfait :

- Commencez s.v.p. par contacter votre installateur ou l'entreprise de SAV agréée située dans votre région, et expliquez-lui les raisons de votre mécontentement. Ceci suffira normalement à résoudre le problème.
- Si le problème persiste après avoir collaboré avec votre installateur ou avec le technicien du SAV, faites-le nous savoir, soit en nous écrivant à l'adresse suivante:

BSH Home Appliances  
5551 Mc Fadden Ave.  
Huntington Beach, LA 92649,  
USA

soit en nous appelant au numéro suivant :  
1-800-944-2904

Si vous nous écrivez, n'oubliez pas de joindre / Si vous nous appelez, n'oubliez pas de préparer, les informations suivantes :

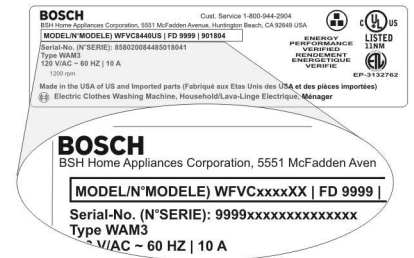
- Le numéro du modèle
- Le numéro de série
- La date d'achat d'origine
- La date d'apparition du problème
- Une description du problème

Si vous nous écrivez, veuillez joindre une copie de la facture et nous indiquer un numéro de téléphone où nous pouvons vous joindre dans la journée.

Vous trouverez le numéro du modèle et le numéro de série sur la plaque signalétique. Cette plaque se trouve sur la partie du capot du lave-linge visible une fois le hublot ouvert.

L'image ci-dessous illustre l'emplacement approximatif de la plaque signalétique. Le numéro de modèle est entouré d'un rectangle. Le numéro de série est situé sous le numéro de modèle.

An example is shown below.



Le fabricant se réserve le droit d'effectuer des modifications au produit ou au manuel sans avis préalable.

# ÉNONCÉ DE GARANTIE DE PRODUIT LIMITÉE

Lave-linge Bosch Vision™

**Couverture de la garantie et application :** La garantie limitée fournie par BSH Home Appliances Corporation (Bosch) dans cet énoncé de garantie de produit limitée s'applique seulement au Lave-linge Bosch Vision™ (le « Produit ») vendu au premier acheteur utilisateur, mais à la stricte condition que le Produit ait été acheté : (1) pour un usage domestique normal (non commercial) et qu'il ait effectivement, en tout temps, été utilisé uniquement à des fins domestiques normales (tout usage commercial ou dans un environnement commercial de ce Produit annule automatiquement la garantie) ; (2) neuf au détail (non comme modèle exposé, « tel quel » ou préalablement retourné), acheté directement par le consommateur final, et non pour la revente ou l'utilisation commerciale ; et (3) aux États-Unis ou au Canada, et qu'il soit en tout temps demeuré dans le pays de l'achat d'origine. Les garanties énoncées aux présentes s'appliquent seulement au premier acheteur du Produit et ne sont pas cessibles. Bosch se réserve le droit d'exiger une preuve d'achat au moment où une réclamation est déposée au titre de la garantie afin de confirmer que le produit rentre dans le champ d'application de cette garantie limitée de produit. La garantie est automatiquement annulée si le Produit était un modèle exposé, s'il a été vendu « tel quel », trafiqué, s'il est abîmé ou s'il a été « vendu légèrement endommagé », ou si c'est un modèle qui a été préalablement retourné, octroyé gratuitement, un don de bienfaisance ou un prix de concours.

- S'assurer de retourner la carte d'enregistrement : Quoique non nécessaire pour que la couverture de la garantie prenne effet, elle constitue le meilleur moyen pour Bosch de vous prévenir dans l'éventualité improbable d'un avis de sécurité ou d'un retrait de produit.

**Durée de la garantie** Bosch garantit que le Produit est exempt de défaut de matière ou de fabrication pendant une période de trois-cent-soixante-cinq jours (365) jours à compter de la date d'achat. Cette période commence à courir à partir de la date

**Réparation ou remplacement du produit comme recours exclusif :** Pendant cette période de garantie, Bosch ou l'un de ses prestataires de services agréés réparera le Produit sans frais de votre part (sous réserve de certaines limitations énoncées aux présentes) s'il s'avère que la fabrication du Produit présente un défaut de matière ou de fabrication. Si des tentatives raisonnables de réparation du Produit ont été faites sans succès, alors Bosch remplacera le Produit (des modèles mis à niveau peuvent être mis à votre disposition), à la seule discrétion de Bosch, moyennant des frais supplémentaires). Tout composant ou pièce enlevés deviennent la propriété de Bosch, à sa seule option. Toute pièce remplacée et/ou réparée doit assumer l'identité de la pièce d'origine aux fins de la présente garantie, et cette dernière ne sera pas prolongée au regard de ces pièces. La seule obligation et responsabilité de Bosch en vertu des présentes est de réparer seulement le Produit présentant un défaut de fabrication, par l'entremise d'un prestataire de services agréé Bosch aux heures normales de travail. Pour des questions de sécurité et de dommages à la propriété, Bosch recommande vivement de ne pas tenter de réparer soi-même le Produit, ni d'utiliser un service de réparation non autorisé. Bosch décline toute responsabilité ou obligation pour les réparations ou le travail effectués par un service de réparation non autorisé. Si vous choisissez de faire réparer le Produit par une personne autre qu'un prestataire de services agréé, CETTE GARANTIE DEVIENDRA AUTOMATIQUEMENT NULLE ET NON AVENUE. Les prestataires de services agréés sont des personnes ou des compagnies qui ont été spécialement formées pour les produits Bosch et qui possèdent, de l'avis de Bosch, une excellente réputation pour le service à la clientèle et des aptitudes techniques (il est à noter qu'il s'agit d'entités indépendantes et *non* des agents, partenaires, affiliés ou représentants de Bosch). Nonobstant les dispositions précédentes, Bosch n'assumera aucune responsabilité ou obligation à l'égard du Produit s'il est situé dans une région éloignée (plus de 100 miles (160 km) d'un prestataire de services agréé) ou s'il est raisonnablement inaccessible ou à un endroit, dans une zone ou dans un environnement dangereux, menaçants ou hasardeux ; dans un tel cas, si vous en faites la demande, Bosch pourrait payer les frais de main-d'œuvre et de pièce et expédier les pièces au prestataire de service agréé le plus proche, mais vous seriez quand même entièrement responsable pour tout déplacement ou autres frais spéciaux requis par le service de réparation, à supposer qu'il accepte d'effectuer une visite de réparation.

## Garantie limitée prolongée :

DURÉE DE LA GARANTIE	PORTÉE DE LA GARANTIE
Garantie limitée de 2 ans À compter de la date d'achat	Bosch fournira gratuitement les pièces de rechange de tout élément constituant s'avérant défectueux dans des conditions normales d'utilisation domestique pendant les deux premières années courantes à compter de la date d'achat, frais d'expédition normaux (non accélérés) inclus, frais de main-d'œuvre exclus.



Garantie limitée de 2 ans sur les composants électroniques À compter de la date d'achat	Bosch réparera ou remplacera gratuitement tout microprocesseur ou carte à circuits imprimés s'avérant défectueux dans des conditions normales d'utilisation domestique pendant les deux premières années courantes à compter de la date d'achat, frais de main-d'œuvre exclus.
Garantie limitée de 2 ans sur le moteur À compter de la date d'achat	Bosch réparera ou remplacera gratuitement tout moteur ou composant du moteur s'avérant défectueux dans des conditions normales d'utilisation domestique pendant les deux premières années courantes à compter de la date d'achat, frais de main-d'œuvre exclus.

**Produit hors garantie** Bosch n'est nullement tenu, en droit ou autrement, de vous offrir toute concession, y compris réparations, tarifs proportionnels ou remplacement de Produit, une fois la garantie expirée.

**Exclusions de la garantie :** La couverture de garantie décrite aux présentes exclut tout défaut ou dommage ne découlant pas d'une faute directe de Bosch, y compris sans limitation, un ou plusieurs des cas suivants : (1) utilisation du Produit d'une façon autre que normale, habituelle et prévue (y compris, sans limitation, toute forme d'utilisation commerciale, utilisation ou rangement d'un produit pour l'intérieur à l'extérieur, utilisation du Produit avec des vaisseaux aériens ou flottants) ; (2) mauvaise conduite volontaire de toute partie, conduite négligente, mauvaise utilisation, abus, accidents, négligence, exploitation irrégulière, manquement à l'entretien, installation inadéquate ou négligée, altération, manquement à observer les instructions de fonctionnement, manipulation sans précaution, service non autorisé (y compris le « bricolage » fait soi-même ou l'exploration du fonctionnement interne de l'appareil) ; (3) réglage, altération ou modification de toute sorte ; (4) manquement à se conformer à tous les codes électriques, de plomberie et/ou de construction de l'état, locaux, municipaux ou du comté, règlements ou lois en vigueur, y compris le manquement à installer le Produit strictement en conformité avec les codes et règlements d'incendie et de construction locaux ; (5) usure et détérioration normales, déversements d'aliments, de liquides, accumulation de graisse, ou autres substances accumulées sur, dans ou autour du Produit ; et (6) toute force et facteur externes, élémentaires et/ou environnementaux, y compris sans limitation, pluie, vent, sable, inondations, incendies, glissements de terrain, gel, humidité excessive ou exposition prolongée à l'humidité, foudre, surtensions, défauts de structure environnante de l'appareil, et catastrophes naturelles. En aucun cas Bosch n'assumera la moindre obligation ou responsabilité pour des dommages survenus à la propriété environnante, y compris armoires, planchers, plafonds et autres structures ou objets autour du Produit. Également exclus de la garantie sont les égratignures, éraflures, encoches mineures et dommages esthétiques sur les surfaces externes et les pièces exposées ; Les produits dont les numéros de série ont été modifiés, effacés ou enlevés ; les visites de service pour montrer au client comment utiliser le Produit ou les visites alors que le Produit ne présente aucun problème ; la correction de problèmes d'installation (vous êtes uniquement responsable de toute structure et réglage du Produit, y compris électricité, plomberie ou autres services utilitaires, pour un plancher/fondation appropriés et pour toute modification y compris, sans limitation, des armoires, murs, planchers, étagères, etc.) ; et pour la remise en fonction des coupe-circuits ou fusibles. **DANS LA MESURE OU LA LOI LE PERMET, LA PRÉSENTE GARANTIE ÉNONCE VOS RECOURS EXCLUSIFS À L'ÉGARD DU PRODUIT, QUE LA RÉCLAMATION SOIT DE NATURE CONTRACTUELLE OU DÉLICTEUELLE (Y COMPRIS LA RESPONSABILITÉ ABSOLUE OU LA NÉGLIGENCE) OU AUTRE. LA PRÉSENTE GARANTIE REMPLACE TOUTES LES AUTRES GARANTIES, EXPRESSES OU IMPLICITES. TOUTE GARANTIE IMPLICITE EN VERTU DE LA LOI, QUE CE SOIT À DES FINS DE QUALITÉ MARCHANDE OU D'ADAPTATION À UN BUT PARTICULIER, OU AUTREMENT, EST EN VIGUEUR UNIQUEMENT PENDANT LA PÉRIODE AU COURS DE LAQUELLE LA PRÉSENTE GARANTIE LIMITÉE EXPRESSE EST EN VIGUEUR. LE FABRICANT NE SERA EN AUCUN CAS RESPONSABLE DES DOMMAGES, PERTES OU FRAIS CONSÉCUTIFS, PARTICULIERS, ACCESSOIRES, INDIRECTS, ET/OU PUNITIFS, DES « PERTES COMMERCIALES », Y COMPRIS, NOTAMMENT, LE TEMPS D'ABSENCE AU TRAVAIL, L'HÉBERGEMENT ET/OU LES REPAS AU RESTAURANT, LES FRAIS DE REMANIEMENT EN EXCÉDENT DES DOMMAGES DIRECTS QUI SONT MANIFESTEMENT CAUSÉS EXCLUSIVEMENT PAR BOSCH OU AUTREMENT. CERTAINS ÉTATS NE PERMETTENT PAS L'EXCLUSION OU LA LIMITATION DES DOMMAGES ACCESSOIRES OU INDIRECTS ET CERTAINS ÉTATS NE PERMETTENT PAS LA LIMITATION SUR LA DURÉE D'UNE GARANTIE IMPLICITE, DE SORTE QUE LES LIMITATIONS CI-DESSUS PEUVENT NE PAS S'APPLIQUER À VOTRE CAS. LA PRÉSENTE GARANTIE VOUS DONNE DES DROITS JURIDIQUES SPÉCIFIQUES ET VOUS POUVEZ AVOIR ÉGALEMENT D'AUTRES DROITS QUI VARIENT D'UN ÉTAT À L'AUTRE. Aucune tentative d'altérer, de modifier ou d'amender la présente garantie ne peut être effective à moins d'une autorisation écrite par un représentant de BSH.**

**Obtention du service sous garantie :** Pour obtenir le service sous garantie pour votre Produit, contactez le centre de service autorisé de Bosch le plus proche.

**BSH Home Appliances Corporation** – 5551 McFadden Avenue, Huntington Beach, CA 92649 / 800-944-2904

# Sélection du cycle de lavage et Durée en minutes - Lave-linge Vision de la Série 800 BOSCH

**Utiliser ce tableau pour choisir facilement le cycle de lavage le mieux indiqué pour votre linge et programmer les options que vous souhaitez.**

1. Quel type de lessive avez-vous ? (coton/lin, synthétiques/mélanges, tissus délicats)
2. S'agit-il d'une lessive grand-teint ? (choisir des cycles de lavage CHAUDS pour les lessives grand-teint uniquement)
3. Quelle est la taille de votre lessive ? (machine pleine, 2/3 de machine, 1/2 machine, 1/3 de machine)
4. Quel est le degré de salissure du linge ? (ajouter des options pour augmenter la durée de lavage pour un linge plus sale)

Les durées de programme réelles peuvent différer des valeurs indiquées en fonction de l'alimentation en eau, du type et de la quantité de détergent utilisé et d'autres facteurs.

Type de Linge	Grand-teint ?	Nom du cycle	Température	Quantité maximale de linge	Menu ACL		Menu ACL		Menu ACL		Options supplémentaires	
					Lavag rapide	Durée de cycle de base	Stain Removal	Prétrempage	Rinçage anti-allergies	ECO Action	Pas d'essorage final	Le degré de salir
Coton ou lin	yes	Regular/Cotton Hot	120°F / 49° C	pleine charge	-13	60	+30	+30	+17	+17	+17	-10
	no	Regular/Cotton Warm	90°F / 32° C		+20	+30	n/a	n/a	n/a	n/a	n/a	-10
		Regular/Cotton Cold	60°F / 15° C		+28	+30	+17	+17	+17	+17	+17	-10
synthetics or blends	yes	Permanent Press Hot	120°F / 49° C	1/2 charge	-10	56	+25	+30	+17	+17	+17	-10
	no	Permanent Press Warm	90°F / 32° C		+25	+30	+17	+17	+17	+17	+17	-10
		Permanent Press Cold	60°F / 15° C		n/a	n/a	+30	+12	+12	+12	+12	+12
Coton ou lin	no	Quick full	86°F / 30° C	full charge	-10	45	+30	+30	+17	+17	+17	-10
	no	Comforter	86°F / 30° C	pleine charge	-20	50	+22	+30	+17	+17	+17	-10
		Active Wear™	86°F / 30° C	2/3 charge	n/a	165	+20	+30	+17	+17	+17	-10
Tissus très délicats sans repassage	no	Baby Care™	155°F / 68° C	1/2 charge	n/a	140	+40	+30	+17	+17	+17	-10
	no	XxtraSanitary®	170°F / 77° C	2/3 charge	-5	30	+20	+30	+17	+17	+17	-8
		Wool/Handwash	75°F / 24° C	1/3 charge	-10	40	+20	+30	+17	+17	+17	-8
Tissus délicats sans repassage	no	Delicates	90°F / 32° C	1/3 charge	-10	57	+20	+30	+17	+17	+17	-10
	no	Dark color	60°F / 45° C	1/3 charge	-10	9	+20	+30	+17	+17	+17	-6
<b>Programmes supplémentaires</b>		Drain & Spin	Vidange l'eau du tambour et exécute le cycle d'essorage. Pourrait être utilisé pour tourner la lessive main-lavé.		n/a	n/a	n/a	n/a	+6	n/a	n/a	-6

Les valeurs données sont en minutes sauf indications contraires

La description des cycles et des options se trouve dans la notice d'utilisation figurant à l'intérieur de ce manuel.

# Características y ventajas de los nueva lavadora

## Tecnología ActiveClean™

La tecnología ActiveClean™ de Bosch optimiza el proceso de lavado en cada etapa del ciclo, ya que detecta las necesidades de tamaño de carga, de nivel de agua y de temperatura para obtener resultados superiores. Los sensores digitales son sensibles a todo tipo de tejidos, incluida la lana, la angora y la seda. Esta máquina funciona prácticamente con solo tocar un botón.

## Tecnología EcoSmart™

La tecnología EcoSmart™ utiliza una red de sensores en la lavadora Bosch Vision™ para ciclos que conservan la mayor cantidad de energía posible, a la vez que mantienen un rendimiento de lavado superior. Al ajustarse al tamaño de la carga y regular la temperatura para que nunca se produzca un exceso de calor, es evidente que Bosch es la marca más eficiente del mercado.

## EcoAction®

Esta opción le brinda la posibilidad de reducir el consumo de energía en hasta un 20%. Al seleccionar esta opción, la temperatura se reduce para ahorrar recursos, a la vez que se extiende levemente el tiempo de lavado para asegurar un lavado adecuado.

## Sistema de lavado ActiveWater™

Únicamente las lavadoras Bosch Vision™ que incluyen el sistema de lavado ActiveWater™ pueden consumir apenas 13 galones de agua, ¡y aun así lavar con la potencia de 400 galones! Al agregar agua con mayor velocidad y rociar la ropa con el agua constantemente, la lavadora Bosch Vision aprovecha cada gota de agua al máximo.

## Stain Removal (Quitamanchas)

Esta opción exclusiva comienza cada ciclo llenando la lavadora con agua fría y calentándola a las temperaturas correspondientes para quitar las manchas. Dado que para quitar cada tipo de mancha se requiere una temperatura específica diferente, únicamente la lavadora Bosch Vision™ con la opción Stain Removal (Quitamanchas) puede tratar la más amplia variedad de manchas y eliminarlas con solo una carga.

## Exclusivo sistema de bisagras y empaque

Las bisagras reforzadas y nuestro diseño exclusivo de empaque ayudan a mantener el calor encerrado y le permite a su ropa alcanzar la temperatura óptima, lo que elimina incluso las manchas más difíciles.

## Dispensador de chorro de detergente de 3 partes

Un dispensador de 3 partes que distribuye automáticamente detergente, blanqueador y suavizante, exactamente en los momentos adecuados.

## Ciclo XxtraSanitary™

Con este innovador ciclo, un sistema inteligente controlado por termostato calienta el agua a 170 °F. Este sistema limpia la ropa en profundidad y la desinfecta, al eliminar el 99.99% de las bacterias domésticas más comunes.

## Ciclo BabyCare™

Los más pequeños de la casa son, por lo general, los responsables de las manchas más difíciles. Este ciclo calienta el agua del lavado a hasta 150 °F para quitar fácilmente incluso las manchas más complicadas.

## Palas exclusivas de Bosch

A medida que su ropa da vueltas suavemente, las palas generan una cascada de agua desde lo alto, enjuagando la espuma y brindando a su ropa una limpieza completa y pareja. Nuestro tambor de acero inoxidable optimiza el rendimiento de la lavadora para asegurar que ni una camisa quede sin girar.

## Tambor de acero inoxidable

El tambor de la lavadora Vision™ cuenta con cientos de orificios parejos de doble perforación, que permiten que sus prendas den vueltas suavemente sin ningún riesgo de engancharse.

## Calentador de agua interno

Un elemento interno calienta el agua a hasta 180 °F mientras que un sensor de temperatura digital controla continuamente la temperatura del agua. Las lavadoras Vision™ de Bosch proporcionan el método de calentamiento de agua más eficiente y preciso para cada tipo de tejido seleccionado.

## Funcionamiento silencioso

Las lavadoras Bosch usan motores sin escobillas, sistemas de bomba suspendidos y materiales de insonorización especiales para hacerlas excepcionalmente silenciosas mientras están funcionando. Esto significa que pueden instalarse prácticamente en cualquier lugar del hogar sin causar bullicio. El software especial de control de desequilibrio de Bosch elimina las condiciones de desequilibrio que generan ruidos.

## Sistema Antivibración AVS™

El Sistema Antivibración AVS™ reduce la vibración incluso durante el centrifugado de alta velocidad, para brindar un funcionamiento suave y casi silencioso. Por eso, incluso si se instala la lavadora Vision en un segundo piso, quizás nunca se entere de que está allí.

## AquaStop™

AquaStop™ es un sistema de seguridad de contención interna diseñado para proteger contra pérdidas por inundación para disminuir la probabilidad de daños por agua cuando la lavadora está encendida y en funcionamiento.

## Manguera AquaStop™

La manguera AquaStop™ detiene el caudal de agua en caso de que la manguera AquaStop™ sufra una pérdida por inundación.

# Índice

<b>Definiciones</b>	<b>73</b>
<b>INSTRUCCIONES IMPORTANTES DE SEGURIDAD</b>	<b>73</b>
INSTRUCCIONES PARA LA PUESTA A TIERRA	75
<b>INSTRUCCIONES PARA LA INSTALACIÓN</b>	<b>76</b>
Introducción	76
Información sobre eliminación de residuos	76
Sobre protección y conservación del medio ambiente	76
Aplicación	76
Equipamiento suministrado de fábrica	77
Medidas	77
Zona de instalación	78
Cómo retirar los pernos de transporte	81
Conexión de agua	82
Conexión eléctrica	84
Procedimiento de nivelación	85
Cómo transportar la lavadora	86
<b>INSTRUCCIONES DE FUNCIONAMIENTO</b>	<b>87</b>
Panel de control	87
<b>Antes del primer uso</b>	<b>88</b>
<b>Primer uso</b>	<b>88</b>
Ajustar la hora	88
Selección del idioma	88
Primer ciclo de lavado (sin ropa)	88
Preparar la ropa	89
Seleccionar la ropa	89
Grados de suciedad	89
Cargar la ropa	90
<b>Ropa Detergentes y aditivos</b>	<b>91</b>
Uso de la cantidad de detergente adecuada	91
Carga de la ropa, el detergente y/o los aditivos	91
Pérdida de color	92
<b>Programas y funciones</b>	<b>93</b>
Tabla de selección de ciclos	93
Botones de opción (Stain Removal [Quitamanchas], Allergy Rinse [Enjuague antialérgico], ECO Action [Acción ecológica])	93
<b>Opciones y funciones especiales del LCD Menu (Menú LCD)</b>	<b>95</b>
Descripción general rápida (Velocidad de centrifugado, Finalizar a tiempo, Modo de Lavado, Planchado reducido, Pre-Remojo, Señal, Programar el reloj)	95
Volumen de la señal	95
Funciones especiales (Autoajuste de carga, Sistema Antivibración AVS™)	97
Child lock (Seguro para niños)	96
<b>Durante el lavado</b>	<b>97</b>
Selección repetida de un programa	97
Agregar una prenda o interrumpir el programa	97
Cancelación de un programa activo	97
<b>Después del lavado</b>	<b>98</b>
<b>Instrucciones de mantenimiento para el usuario</b>	<b>99</b>
Limpieza y cuidado	99
Limpieza de la carcasa y el panel de control del electrodoméstico	99
Limpieza del tambor	99
Limpieza de los compartimientos para detergente	99
Limpieza de los filtros de acceso de agua	100
Descalcificación de la máquina de lavar	100
<b>Localización de fallos menores</b>	<b>101</b>
<b>Servicio a clientes</b>	<b>104</b>
<b>DECLARACIÓN DE GARANTÍA LIMITADA DEL PRODUCTO</b>	<b>105</b>
<b>Tabla de selección de ciclos</b>	<b>107</b>

Su lavadora es un electrodoméstico moderno, de alta calidad.

Esta moderna máquina de lavar limpia su ropa usando los procesos de lavado más sofisticados para obtener los mejores resultados de limpieza.

Una fabricación e ingeniería excelentes, reducen significativamente los costes de operación.

Una filosofía fácil en el manejo, una gran variedad de programas de lavado y una sensación de solidez, hacen de esta lavadora un asistente-sumamente útil en su hogar.

Su lavadora ofrece las siguientes funciones estándares:

- Bajo nivel de ruidos durante el lavado y centrifugado.
- Puerta grande con cerradura magnética.
- Apertura de puerta de 16 pulgadas (41 cm), bisagra resistente de calidad, ángulo de apertura de 160°.
- Capacidad del tambor de 22 lb (10 kg) para cargas de algodón normal.

Toda máquina de lavar que deja nuestra planta, ha aprobado un control de performance realístico y está en perfectas condiciones de funcionamiento.

El electrodoméstico puede contener vestigios de agua debido a los procedimientos de control. Si Vd. tiene cualquier duda respecto de la instalación de la máquina de lavar, nuestro servicio a clientes lo asesorará gustosamente.

En nuestra página de web, encontrará más información referida a nuestros productos y su selección:  
[www.boschappliances.com](http://www.boschappliances.com)

Rogamos leer y seguir estas instrucciones de funcionamiento e instalación conjuntamente con todas aquellas informaciones entregadas con nuestra máquina de lavar.

Estas instrucciones de funcionamiento e instalación describen diferentes modelos. Las diferencias se describen en los sitios correspondientes.

Las ilustraciones pueden visualizar detalles diferentes al modelo adquirido por Vd.

## Definiciones



### ADVERTENCIA

**ADVERTENCIA** – Esto significa que puede resultar la muerte o lesiones graves debido a la inobservancia de esta advertencia.



### CUIDADO

**CUIDADO** – Esto significa que pueden resultar lesiones leves o moderadas debido a la inobservancia de esta advertencia.

### AVISO

**AVISO** – Esto significa que se pueden producir daños en el o en los bienes debido a la inobservancia de esta advertencia.



Este símbolo se utiliza para llamar la atención del usuario respecto de algo en particular.

## ⚠ INSTRUCCIONES IMPORTANTES DE SEGURIDAD



### ADVERTENCIA

Las advertencias e instrucciones de seguridad de este manual no pueden cubrir todos los riesgos, condiciones y situaciones posibles que puedan surgir. Aplique el sentido común y tenga cuidado durante la instalación, el mantenimiento y la operación de este o cualquier otro electrodoméstico.



### ADVERTENCIA

Para reducir el peligro de incendio, descargas eléctricas, lastimaduras de gravedad o muerte al emplear su lavadora, tome las siguientes precauciones:

1. Las lavadoras BOSCH se suministran con un manual que incluye instrucciones de funcionamiento, de mantenimiento e instalación. Leer

todas las instrucciones antes de utilizar la lavadora.

2. No lavar artículos que previamente hayan sido limpiados, lavados, remojados o desmanchados con gasolina, solventes para limpieza a seco, otras sustancias inflamables o explosivas, ya que se producen vapores que pueden inflamarse o explotar.
3. No agregue gasolina, solventes para limpieza a seco u otras sustancias inflamables o explosivas al agua de lavado. Se producen vapores que pueden inflamarse o explotar.
4. Bajo ciertas condiciones puede producirse hidrógeno gaseoso en un sistema de agua caliente que no haya sido utilizado por dos o más semanas. EL HIDROGENO ES EXPLOSIVO. Si el sistema de agua caliente no ha sido utilizado durante tal período, abrir todos los grifos de agua caliente y dejar fluir

el agua durante varios minutos antes de utilizar la lavadora. Esto eliminará el hidrógeno que se hubiera acumulado. No fumar ni utilizar una llama abierta durante esta operación, ya que el gas es inflamable.

5. A fin de reducir el peligro de incendios, las prendas, los paños para la limpieza, los estropajos y objetos por el estilo, que se haya ensuciado con sustancias inflamables de cualquier tipo como aceites vegetales, aceite de cocina, aceites en base a petróleo o sus destilados, ceras, grasas, etc, deben mantenerse alejados de fuentes de ignición, incluyendo secadores de ropa. Estos artículos pueden contener sustancias inflamables después de haber sido lavados, que pueden desarrollar humos o incendiarse por sí mismas.

6. No puentear ningún dispositivo de seguridad.
7. Almacenar los agentes de limpieza en lugar fresco y seco de acuerdo con las instrucciones del fabricante.
8. A fin de reducir el peligro de incendio y descargas eléctricas NO usar una extensión o un adaptador para conectar la lavadora a la red.
9. Antes de retirar la máquina de servicio o deshacerse de ella, saque la puerta y el cable de conexión a la red.
10. Cuando los niños tienen la edad adecuada para utilizar el electrodoméstico, es responsabilidad de los padres o tutores legales asegurarse de que reciban las instrucciones sobre prácticas seguras por parte de personas calificadas.
11. No permita que los niños jueguen sobre el electrodoméstico ni con él en ningún momento; esto podría causar lesiones graves o la muerte. Los niños deben permanecer a una distancia segura de los electrodomésticos en todo momento. Se debe permitir a los niños estar cerca de un electrodoméstico solamente si están supervisados estrictamente y en forma constante por un adulto.
12. No permita que los juguetes u otros objetos de los niños que puedan alentar a que los niños se suban a la lavadora, se guarden encima de la lavadora, dentro de ella, en los estantes ni en gabinetes u otras áreas de almacenamiento encima de la lavadora.
13. No sentarse sobre la máquina.
14. No permita que nadie se suba, incline o cuelgue de ninguna parte de la lavadora, incluidos los componentes que sobresalgan, como la puerta del electrodoméstico o un estante extraíble.
15. Para reducir el riesgo de envenenamiento o quemaduras químicas mantener todos los productos de limpieza fuera del alcance de los niños.
16. Mantener alejados a los animales domésticos.
17. No introducir las manos en la lavadora si el tambor está moviéndose.
18. No instalar o dejar la lavadora en un lugar donde esté expuesta a la intemperie.
19. No manipular los controles.
20. No reparar o reemplazar ninguna parte de la lavadora ni intentar cualquier tipo de servicio a menos que haya sido recomendado en las instrucciones de mantenimiento o en instrucciones de reparación para usuarios, que se hayan comprendido plenamente y para las que se disponga de habilidad.
21. No tocar la puerta al lavar a alta temperatura.
22. Tener precaución al desaguar el agua caliente.
23. Desmontando cualquier de los paneles, incluyendo el panel de manejo redondo ubicado en el frente, pueden quedar expuestos cantos y puntos filosos, conexiones eléctricas y superficies calientes.
24. 1Asegúrese siempre que la máquina de lavar esté desenchufada de la línea de alimentación, antes de realizar tareas de mantenimiento o servicio. Desconecte el cable de alimentación tomándolo del tomacorriente y no del cable mismo.
25. oldNo lavar a máquina materiales que contengan fibra de vidrio (muchas cortinas y doseles tienen materiales a base de fibra de vidrio). Pueden permanecer pequeñas partículas en la máquina que se adhieren a las prendas de cargas sucesivas, causando irritación de la piel.
26. No conectar o desconectar el enchufe principal con las manos mojadas o húmedas.
27. No utilice la lavadora si el cable de alimentación presenta daños o el enchufe está suelto. Si este fuera el caso, póngase en contacto con un agente autorizado..
28. No poner la máquina en funcionamiento estando sin los paneles y/o protecciones o sujeciones colocadas, exceptuando los pernos de transporte.
29. La máquina debe emplearse sólo para lo que ha sido diseñada.
30. Seguir las instrucciones de lavado que recomienda el fabricante de la prenda a lavar.
31. Asegurarse de que todas las conexiones de agua a la máquina estén provistas de válvulas de cierre y que dichas válvulas sean de fácil acceso. Cierre las válvulas de alimentación al terminar cada día de lavado.
32. Verifique las conexiones de la manguera de llenado con frecuencia para asegurarse de que estén ajustadas y de que no haya pérdidas, y antes de aplicar alimentación eléctrica a la máquina.
33. Siempre se deben leer las instrucciones del fabricante del detergente, agente de limpieza, acondicionadores y eliminadores de estática que se empleen. Prestar atención a las advertencias y precauciones.
34. No hacer funcionar la lavadora si tiene partes deterioradas o le faltan partes.
35. No poner la lavadora en funcionamiento hasta asegurarse de que:
  - a. haya sido instalada de acuerdo con las INSTRUCCIONES DE INSTALACIÓN.
  - b. todas las conexiones de agua, desagüe, a la red eléctrica y a tierra estén de acuerdo con las normas locales y/o otras normas aplicables.
36. Instalar, mantener y/o hacer funcionar la lavadora en desacuerdo con las instrucciones del fabricante puede producir situaciones que conduzcan a lesiones corporales y/o daños materiales.
37. Con objeto de no ocasionar daños en la puerta de carga del aparato durante los desplazamientos del mismo, no deberá presionarse contra la puerta. Con objeto de evitar daños en el fondo del aparato deberán tomarse medidas precaución adecuadas.

38. Para evitar daños en el suelo o que crezca el moho, no deben producirse derrames o salpicaduras de agua que generen charcos alrededor de, o debajo de la máquina.
39. Conectar el aparato a la red de agua y verificar dichas conexiones antes de acoplarlo a la red eléctrica.

## Notas:

- A. Las INSTRUCCIONES IMPORTANTES DE SEGURIDAD y los LLAMADOS DE ATENCIÓN que se presentan en este manual no cubren todas las situaciones posibles que pueden tener lugar. Deben aplicarse el sentido común, precaución y cuidado al instalar, mantener o hacer funcionar la lavadora.
- B. Consultar siempre con el comerciante, distribuidor, agente de servicio o fabricante cualquier problema o bien condiciones que no se han comprendido completamente.

## INSTRUCCIONES PARA LA PUESTA A TIERRA

El electrodoméstico debe conectarse a tierra. En caso de fallos en el funcionamiento o roturas, la conexión a tierra reduce el riesgo de descargas eléctricas, presentando una vía de baja resistencia por la que puede fluir la corriente.

Este electrodoméstico está provisto de un cable de conexión con un conductor de tierra y el tomacorriente con la toma de tierra correspondiente. El tomacorriente debe conectarse en un enchufe adecuado que esté de acuerdo con todos los reglamentos y ordenanzas locales.



### ADVERTENCIA

La conexión inadecuada de la puesta a tierra de este equipo puede conducir a un riesgo elevado de descargas eléctricas.

Conectar a una rama del circuito individual.

Haga controlar la instalación por un electricista calificado si tiene dudas, a fin de determinar que la lavadora esté correctamente conectada a tierra.

NO modifique el enchufe suministrado con la lavadora. Si no es adecuado al tomacorriente, haga instalar un tomacorriente adecuado por un electricista calificado.

## CONSERVE ESTAS INSTRUCCIONES PARA CONSULTAS POSTERIORES.

En caso de un cambio de propietario, este manual debe entregarse conjuntamente con la lavadora.

## CONSERVE ESTAS INSTRUCCIONES

# INSTRUCCIONES PARA LA INSTALACIÓN

## Introducción

### CUIDADO

PARA EVITAR  
RIESGO DE LESIONES  
La máquina de lavar es pesada.  
Levantar con cuidado.

Asegúrese de tener en cuenta todas las advertencias y precauciones.

### AVISO

Mangueras congeladas pueden rajarse o quebrarse. No instalar la máquina de lavar en el exterior o en un zona donde esté expuesta a temperaturas por debajo del punto de congelación. Si la lavadora esto situada en un lugar que será expuesto a temperaturas bajo cero, o si esta situada en una cabaña que es cerrada en tiempo de invierno, alguna agua residual en la bomba o manga(s) de agua debe ser desaguada.

Estas instrucciones para la instalación están destinadas para ser usadas por personal calificado. Adicionalmente deben tenerse en cuenta:

- en los Estados Unidos, el National Electric Code, ANSI/NFPA70 en su última edición y las reglas municipales y/o locales vigentes.
- En Canadá, el Canadian Electrical Code C22.1 en su última edición y las reglas municipales y/o locales vigentes.

Si la máquina de lavar se va a instalar en una ambiente expuesto a temperaturas por debajo del punto de congelación, o si va a estar instalada en una cabina cerrada durante el tiempo invernal, **deben** eliminarse todos lo vestigios de agua contenidos en las mangueras de acceso. Cuide de no dañar la máquina de lavar.

No sujete el equipo de partes protuberantes (p. ej. la puerta) cuando lo levante.

Adicionalmente a las instrucciones de seguridad listadas aquí, el proveedor de agua y energía local pueden tener requerimientos especiales.

En caso de dudas, haga conectar el electrodoméstico por un técnico autorizado.

## Información sobre eliminación de residuos

### Eliminación del embalaje

El embalaje suministrado ha protegido su nueva máquina durante el transporte hasta su hogar. Todos los materiales que forman parte del embalaje son bien soportados por el medio ambiente y reciclables. Contribuya a mejorar el medio ambiente eliminando los materiales del embalaje de una manera consciente.

Rogamos consulte con su vendedor o la autoridad correspondiente respecto de la mejor manera de eliminación.

### ADVERTENCIA

Mantenga alejados a los niños de la caja de cartón original y de los demás componentes del embalaje para evitar el riesgo de asfixia con la envoltura de plástico y las cajas plegables.

### Eliminación de su vieja máquina

¡Los viejos artefactos domésticos no son basura inservible! Un reciclaje consciente del medio ambiente puede regenerar valiosas materias primas.

### ADVERTENCIA

Si el electrodoméstico ya no se encuentra en condiciones de uso, desconecte el enchufe principal, corte el cable de alimentación y elimínelo. Además, retire la puerta de la lavadora para evitar que los niños queden encerrados dentro del electrodoméstico.

## Aplicación

Su lavadora está diseñada:

- exclusivamente para uso doméstico.
- Para limpiar tejidos aptos para lavadora en agua corriente.
- para funcionar con agua corriente fría y caliente (140 °F/60 °C) y con detergentes para ropa convencionales y aditivos que sean apropiados para usar en máquinas lavadoras.

## Sobre protección y conservación del medio ambiente

Su lavadora utiliza agua, energía y detergente eficientemente, protegiendo al medio ambiente y reduciendo los costos de su hogar.

Al usar su lavadora de una manera eficiente y a la vez respetuosa con el medio ambiente:

- Evite usar demasiado detergente.
- Utilice detergentes que posean el símbolo HE para un rendimiento elevado lavadoras de carga frontal.
- Agregue el detergente de acuerdo al grado de suciedad, cantidad de ropa y dureza del agua y siga las instrucciones del fabricante del producto.
- Use detergentes que tengan el símbolo HE para lavadoras de alta eficiencia y de carga frontal.



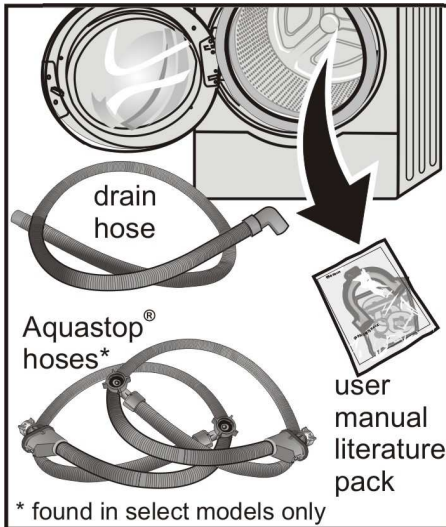
- Agregue el detergente de acuerdo al grado de suciedad, cantidad de ropa y dureza del agua y siga las instrucciones del fabricante del producto.



## Equipamiento suministrado de fábrica

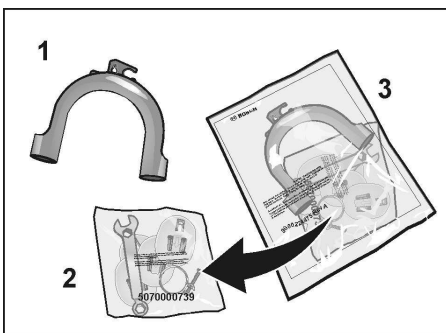
Existe un juego de partes accesorias que se suministran conjuntamente con la máquina. Controle que ha recibido todas estas partes correspondiente al modelo de máquina adquirido. Si faltan partes, contacte inmediatamente a su vendedor.

Dentro del tambor se encuentran:

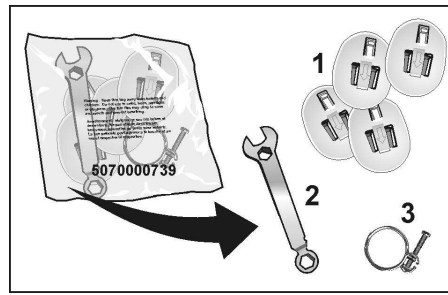


1. Manguera de alimentación de agua para agua fría (marca azul).
2. Manguera de alimentación de agua para agua caliente (marca roja).
3. Manguera de evacuación para el agua.
4. Paquete informativo del manual del usuario

El contenido del paquete de la literatura incluye:



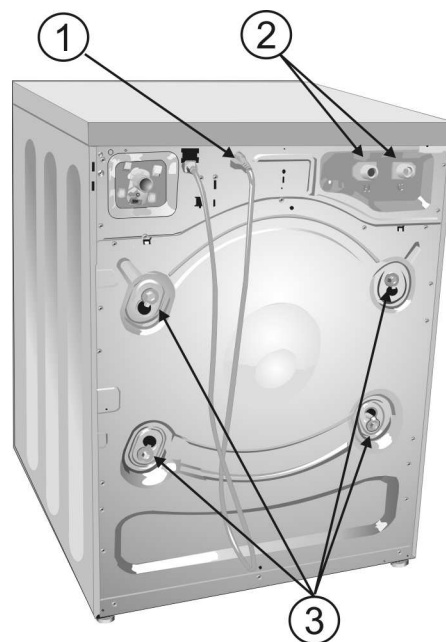
1. Elbow
2. Accessory parts bag
3. User manual



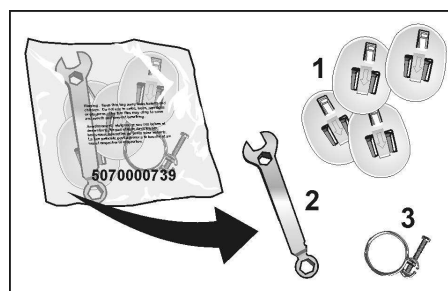
The accessory parts bag contains:

1. Covers to be placed over the holes for the transport bolts (after removing the transport bolts during washer installation).
2. Wrench for leveling.
3. Clamp for drain hose.

On the back of the washer:



1. Un codo para sujetar la manguera de salida de agua, p. ej. a un lavabo.
2. La bolsa de accesorios
3. del manual del usuario



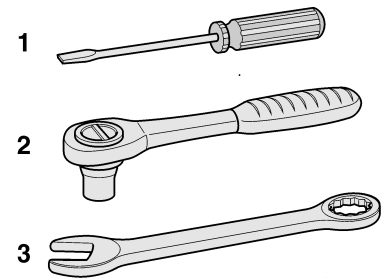
La bolsa de accesorios incluye:

1. Cubiertas para colocar sobre los orificios de los pernos de transporte (después de retirar los

pernos de transporte durante la instalación de la lavadora).

2. Una llave para nivelar.
3. Una abrazadera para la manguera de salida del agua.

En la parte posterior de la lavadora:

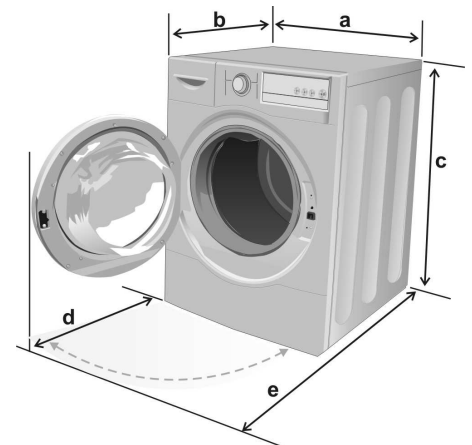


## AVISO

NO empuje contra el vidrio de la puerta del secador. ¡Riesgo de rotura!



## Medidas



- a = 27.0 in. (68.7 cm)
- b = 29.7 in. (75.4 cm)
- c = 36.8 in. (93.5 cm) (minimum)\*  
37.8 in. (96.2 cm) (maximum)\*
- d = 20.7 in. (52.5 cm)
- e = 49.8 in. (126.3 cm)

\* La altura del electrodoméstico depende de la extensión de las patas de altura ajustable. La altura mínima es con las patas insertadas completamente contra la parte inferior de la lavadora. La altura máxima es con las patas extendidas al máximo (la rosca del tornillo debe quedar lo suficientemente enganchada para que la pata quede estable [1/4 pulgada/6.4 mm] cuando está extendida).

Ángulo de apertura de la puerta: 160°

Peso aprox. = 220 lbs (100 kg.)

## Zona de instalación

### ADVERTENCIA

Nunca conecte la toma de tierra a tuberías de plástico, líneas de transporte de gas o de agua caliente.

**Este electrodoméstico debe instalarse sobre un piso sólido y bien nivelado debido a las altas velocidades de centrifugado disponibles. Si se instala la máquina sobre un piso de madera encima de un sótano o en un segundo piso, es posible que se deba reforzar el piso. El ruido, la vibración y el riesgo de que la lavadora “se desplace” se verán afectados según la estructura y la estabilidad de la superficie del piso donde se instale el electrodoméstico.**

- ❑ Si es posible, coloque la máquina de lavar en un rincón de la habitación.

Si la máquina de lavar debe instalarse sobre un piso de madera, debe tenerse en cuenta lo siguiente:

- ❑ Atornille un trozo de madera contrachapada resistente al agua (de, al menos, 3/4 pulg. de espesor) al piso. La madera contrachapada debe tener un tamaño que coincida la huella de la lavadora, aproximadamente, 27 pulg. de ancho x 29.7 pulg. de profundidad, o 54 pulg. de ancho x 29.7 pulg. de profundidad para que se extienda debajo de la lavadora y de la secadora, a fin de obtener los mejores resultados y una altura pareja de los electrodomésticos.
- ❑ Asegure los pies de la máquina de lavar mediante corchetes de sujeción (juego) que se obtiene del servicio a clientes (WMZ 2200).

## Accesorios

### Kit para montaje sobre pedestal

Se encuentra disponible como accesorio para su lavadora un pedestal de almacenamiento con un cajón extraíble. El pedestal agrega 15 pulgadas a la altura de la lavadora.



### CUIDADADO

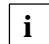
El electrodoméstico no debe montarse sobre un pedestal en instalaciones apiladas.

La pieza n.º WTZ 1610 es para un pedestal blanco liso.

Puede haber otros colores de pedestales disponibles. Identifique la pieza n.º WTZ 1610 “X” en la que la X designa un color disponible (p. ej., A para antracita, P para plata). Consulte a su distribuidor sobre las opciones de colores disponibles.

También puede consultar un catálogo de productos actual o visitar nuestra página web: [www.boschappliances.com](http://www.boschappliances.com)

Si monta la lavadora sobre el pedestal, siga las instrucciones incluidas con el pedestal.

-  Instale el pedestal en la lavadora antes de retirar los cuatro pernos de transporte de la parte trasera de la lavadora (consulte la página 81 para obtener detalles).

### Kits para apilar

Hay dos kits para apilar disponibles.

#### Kit para apilar básico


Este kit permite anclar la secadora encima de la lavadora y agrega, aproximadamente, 0.63 pulgadas (16 mm) a la altura de los electrodomésticos apilados.

La pieza n.º WTZ 1601 es para el kit para apilar mecánico básico.

### Kit para apilar con estante extraíble

Este kit sirve para apilar la secadora encima de la lavadora y también proporciona un estante extraíble. Este kit agrega aproximadamente 1.5 pulgadas (38.5 mm) a la altura de la lavadora/secadora apiladas.

Este kit también puede combinarse con el accesorio de pedestal. El kit para apilar agregará aproximadamente 1.52 pulgadas, y el pedestal agregará aproximadamente 15 pulgadas a la altura de la lavadora instalada.

-  El pedestal no puede usarse para instalaciones de lavadora/secadora apiladas.

La pieza n.º WTZ 1600 es para el kit para apilar con estante extraíble blanco liso.

Puede haber otros colores de kits para apilar con estante extraíble. Identifique la pieza n.º WTZ 1600 “X” en la que la X designa un color disponible (p. ej., A para antracita, P para plata). Consulte a su distribuidor sobre las opciones de colores disponibles.

### Distancias mínimas

Información importante sobre distancias mínimas:

- Si la lavadora se instalará con una secadora de modo tal que las partes delanteras de los electrodomésticos queden a ras unas con otras, es necesario dejar un espacio libre adicional en la parte trasera para el sistema de ventilación de la secadora. Según la ubicación de la conexión de aire del escape, se debe sumar una distancia mínima de 5 ½ pulgadas (14 cm) para conductos/soportes (consulte las instrucciones de instalación de la secadora).
- Los beneficios de mantener una distancia superior (espacios libres) a la mínima que se muestra incluyen los siguientes:
  - reducción del riesgo de que se produzca moho detrás de los electrodomésticos.
  - reducción de la transmisión de ruidos.
  - facilitación de la instalación y del servicio técnico.
  - hay más circulación de aire que enfría la secadora, evita que la secadora se caliente en exceso y mejora el rendimiento del secado.

- Si se instalan la lavadora y la secadora en una habitación pequeña, las puertas de la habitación deberán estar equipadas con ventilaciones de dimensiones mínimas establecidas. Consulte las siguientes ilustraciones de instalaciones cerradas para obtener información adicional.
- Deje un espacio libre adicional para la puerta, la pared y la moldura de la ventana cuando sea necesario.

## Tipos de instalación

Respete los siguientes espacios libres mínimos entre la lavadora y las superficies adyacentes para todos los tipos de instalación.

### Espacios libres mínimos de instalación

<b>A</b> Laterales	0.25 in. (6.4 mm)
<b>B</b> Parte superior	0.25 in. (6.4 mm)
<b>C</b> Parte trasera*	2.55 in. (64.8 mm)
<b>D</b> Parte delantera	0.50 in. (12.8 mm)

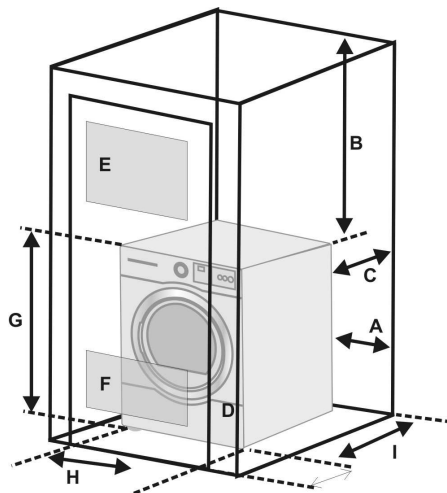
\* tan cerca de la pared como lo permita la ventilación o la conexión de agua. Si se instala con una lavadora, se requiere el mayor espacio libre en la parte trasera para la ventilación de la secadora para ambos electrodomésticos.

- ❑ Las unidades están diseñadas de manera que la secadora pueda apilarse encima de la lavadora usando uno de los kits para apilar que se muestran en la página 78.
- ❑ Las unidades están diseñadas para permitir la instalación debajo de la superficie de trabajo; consulte las dimensiones que se requieren en la sección "Instalación debajo de la superficie de trabajo" en la página 80.

Las mediciones de altura que se muestran en esta sección se toman con las patas de la lavadora en la extensión mínima (insertadas completamente contra la base de la lavadora).

## Empotrada o en un armario

En la siguiente ilustración, se muestran las dimensiones para la instalación dentro de un armario o en un área empotrada.



### Requisitos de ventilación del armario

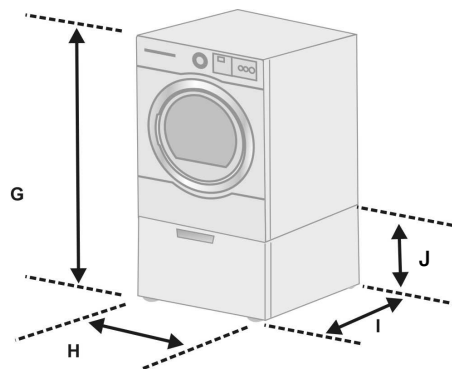
<b>E</b> Parte superior	48 sq. in. (310 sq. cm)
<b>F</b> Parte inferior	24 sq. in. (155 sq. cm)

### Espacio de instalación requerido

<b>G</b> Altura	37.25 in. (94.6 cm)
<b>H</b> Ancho	27.50 in. (69.9 cm)
<b>I</b> Profundidad	33.50 in. (85.1 cm)

## Montaje sobre pedestal

En la siguiente ilustración, se muestran las dimensiones para la instalación del montaje sobre pedestal.

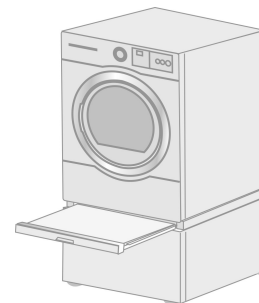


### Espacio de instalación requerido

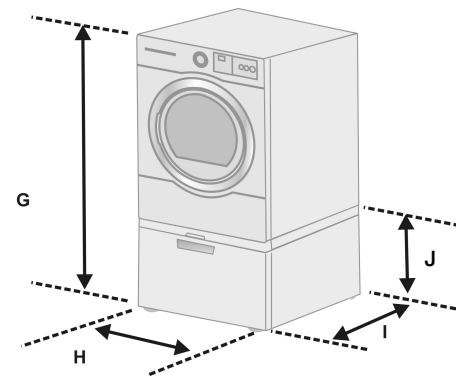
<b>G</b> Altura	52.25 in. (132.7 cm)
<b>H</b> Ancho	27.50 in. (69.9 cm)
<b>I</b> Profundidad	33.50 in. (85.1 cm)
<b>J</b> Altura del pedestal.	15.0 in. (38.1 cm)

- i** El electrodoméstico no debe montarse sobre un pedestal para instalaciones debajo de la superficie de trabajo.

## Pedestal con estante extraíble



En la siguiente ilustración, se muestran las dimensiones para la instalación del pedestal y el estante extraíble.



### Espacio de instalación requerido

<b>G</b> Altura	53.75 in. (136.5 cm)
<b>H</b> Ancho	27.50 in. (69.9 cm)
<b>I</b> Profundidad	33.50 in. (85.1 cm)
<b>J</b> Altura del pedestal.	15.0 in. (38.1 cm)

- i** El electrodoméstico no debe montarse sobre un pedestal para instalaciones debajo de la superficie de trabajo.

## Lavadora y secadora apiladas

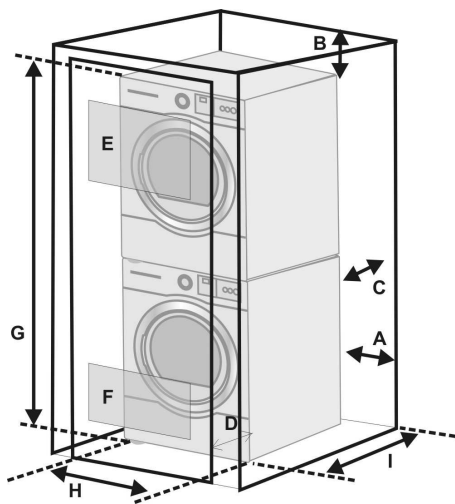
En la siguiente ilustración, se muestran las dimensiones para la instalación apilada.

Hay dos kits para apilar disponibles para apilar la secadora encima de la lavadora; consulte la sección "Accesorios" en la página 78.

## **⚠** ADVERTENCIA

Por su peso y tamaño, se recomienda que más de dos personas levanten la secadora para colocarla en su posición. No hacerlo puede ocasionar lesiones personales o la muerte.





Las dimensiones de los espacios libres desde A hasta D se encuentran en la página 79.

#### Requisitos de ventilación del armario

<b>E</b>	Parte superior	48 sq. in. (310 sq. cm)
<b>F</b>	Parte inferior	24 sq. in. (155 sq. cm)

#### Espacio de instalación requerido

<b>G</b>	Altura	74.50 in. (189.3 cm)
	* con el kit para apilar básico	
	Altura	76.02 in. (193.1 cm)
	** con el kit para apilar con estante extraíble	
<b>H</b>	Ancho	27.50 in. (69.9 cm)
<b>I</b>	Profundidad	33.50 in. (85.1 cm)

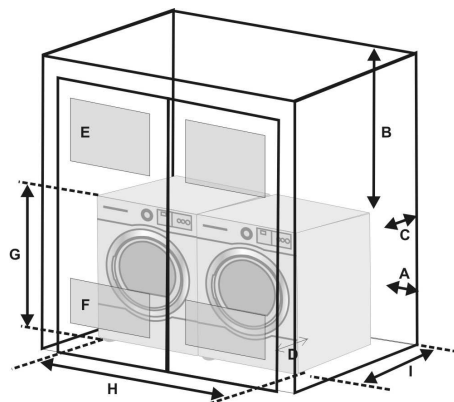
## ⚠ ADVERTENCIA

El electrodoméstico no debe montarse sobre un pedestal en las instalaciones apiladas. La lavadora no debe apilarse encima de la secadora. Esto puede provocar lesiones y/o daños graves.

**i** Tenga cuidado al deslizar la lavadora y secadora apiladas en su lugar. Consulte las instrucciones de instalación del kit para apilar para obtener más información.

## Una al lado de la otra

En la siguiente ilustración, se muestran las dimensiones para la instalación una al lado de la otra empotradas o dentro de un armario.



Las dimensiones de los espacios libres desde A hasta D se encuentran en la página 79.

#### Requisitos de ventilación del armario

<b>E</b>	Parte superior	48 sq. in. (310 sq. cm)
<b>F</b>	Parte inferior	24 sq. in. (155 sq. cm)

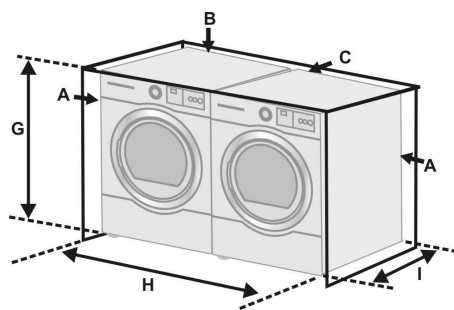
#### Espacio de instalación requerido

<b>G</b>	Altura	37.25 in. (94.6 cm)
<b>H</b>	Ancho	54.75 in. (139.1 cm)
<b>I</b>	Profundidad	33.50 in. (85.1 cm)

La altura requerida si se monta sobre un pedestal es de 52.25 pulg. (132.7 cm)

## Baja Mostrador

Las dimensiones para la instalación de undercounter son mostradas en la ilustración abajo.



Las dimensiones de los espacios libres desde A hasta D se encuentran en la página 79.

#### Espacio de instalación requerido

<b>G</b>	Altura	37.25 in. (94.6 cm)
<b>H</b>	Ancho	27.50 in. (69.9 cm)
	Ancho*	54.75 in. (139.1 cm)
	* lavadora y secadora una al lado de la otra	
<b>I</b>	Profundidad	33.50 in. (85.1 cm)

**i** El electrodoméstico no debe montarse sobre un pedestal para instalaciones debajo de la superficie de trabajo.

## Lista de comprobación para la instalación

Página

Retire completamente los 4 conjuntos de pernos de transporte y traslade la lavadora hasta su lugar	81
Acoplar las mangueras de alimentación y desagüe. Introducir el cable de conexión del aparato en la toma de corriente.	82
Introducir el cable de conexión del aparato en la toma de corriente.	84
Colocar la lavadora en su posición definitiva.	85
Efectuar la menor nivelación en altura posible de la lavadora.	85
Antes de usar por vez primera la máquina, realizar un ciclo de lavado.	88

## Cómo retirar los conjuntos de pernos de transporte

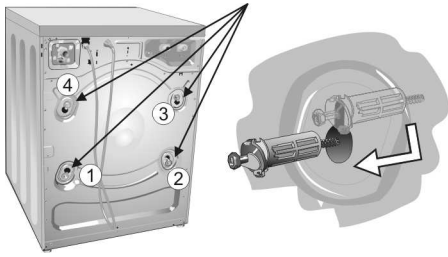
## ⚠ ADVERTENCIA

Para evitar posibles lesiones y daños al electrodoméstico y a las superficies adyacentes, los cuatro conjuntos de pernos de transporte deben retirarse antes de usar el electrodoméstico. Guarde los conjuntos de pernos para usarlos al transportar el electrodoméstico en el futuro (p. ej., al mudarse). Si ha adquirido un kit para montaje sobre pedestal, siga las instrucciones de instalación incluidas con el pedestal antes de retirar los conjuntos de pernos de transporte.

**i** Si monta la lavadora sobre un pedestal, instale la lavadora sobre el pedestal antes de retirar los conjuntos de pernos de transporte..

1. Afloje los cuatro conjuntos de pernos antes de retirar por completo cualquiera de los pernos de la unidad.

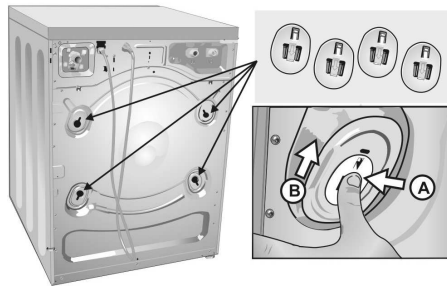
2. Retire los dos conjuntos de pernos de la parte inferior antes de retirar los dos conjuntos de pernos de la parte superior. Retire los cuatro conjuntos de pernos en el orden que se muestra en el siguiente diagrama.



3. Afloje los conjuntos de pernos usando el extremo cerrado de la llave de 1/2 pulg. incluida o una llave de cubo de 1/2 pulg. Aflojelos hasta que puedan moverse libremente.
4. Es posible que sea más fácil retirar los conjuntos de pernos usando una llave de cubo de 1/2 pulg. (13 mm).
5. Jale el tambor de la lavadora levemente hacia adelante en dirección a la puerta abierta de la lavadora para reducir la presión sobre los conjuntos de los pernos de transporte.

Deslice cada conjunto de pernos de transporte aflojado hacia afuera de su ranura de retención y, luego, jálalo hacia afuera a través del orificio redondo de la carcasa. Retire completamente los 4 conjuntos de pernos de transporte (cada conjunto consiste en un perno, una arandela plana de metal y un manguito de plástico blanco).

6. Si los manguitos no salen al retirar los conjuntos de pernos, coloque los pernos de nuevo en los manguitos e inténtelo nuevamente con cuidado. Es importante realizar este paso con los pernos; de lo contrario, los manguitos no saldrán correctamente.
7. Para almacenar los conjuntos de pernos para uso futuro, no retire los pernos de los manguitos de plástico.

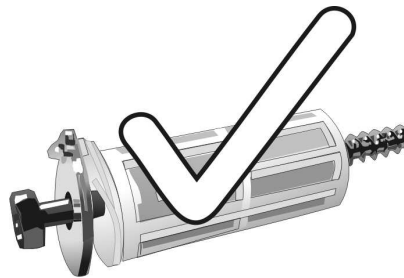


8. Coloque la cubierta de plástico sobre el orificio que ocupan los conjuntos de pernos de transporte. Empuje la lengüeta hacia adentro (A) y deslice la cubierta hacia la ranura pequeña (B).

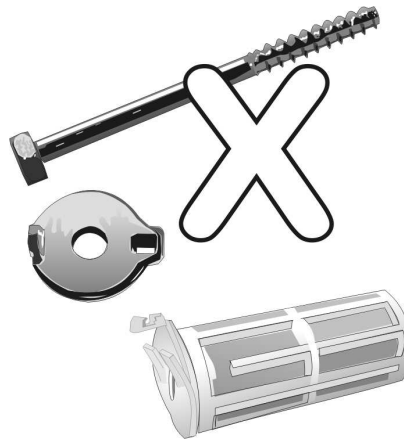
### Cómo almacenar los conjuntos de pernos de transporte

Siempre guarde los conjuntos de pernos de transporte para transportar el electrodoméstico en el futuro (como, por ejemplo, al mudarse).

- Almacene los conjuntos de pernos de transporte con la arandela y el manguito colocados.



- No quite el cerrojo y la arandela del buje.



# Conexión de agua

## Alimentación de agua

### AVISO

La máquina de lavar debe utilizarse únicamente con agua fría y caliente (140 °F / 60 °C). No conecte el electrodoméstico a un mezclador de un calentador de agua no presurizado.

Si tiene dudas, haga conectar la instalación de agua por un técnico autorizado.

Las mangueras de agua no deben:

- Plegada, doblada o aplastada de manera tal que pueda verse reducido el caudal de agua.
- Modificarse o cortarse (no puede garantizarse la estabilidad en este caso).

**i** Se recomienda inspeccionar y reemplazar las mangueras dañadas o plegadas. El reemplazo de las mangueras de suministro de agua después de cinco años de uso puede ayudar a reducir el riesgo de fallas en la manguera.

### AVISO

El correcto aseguramiento de las conexiones EXTERNAS de las mangueras es de única y exclusiva responsabilidad del cliente. El fabricante no asume ninguna responsabilidad ni obligación por una conexión EXTERNA de manguera u otro tipo de conexión que no estén correctamente instaladas.

Las roscas de plástico deben ajustarse solamente a mano. No quite los filtros de las mangueras de alimentación de agua.

Observe la presión en la red de alimentación:

- La presión del agua debe ser entre 20 y 120 psi (1.38 y 8.27) cuando se enciende la llave de agua y, al menos, 2.2 galones estadounidenses (8 litros) por minuto.
- Debe instalarse una válvula reguladora, si la presión de agua excede el máximo admitido.

### AVISO

Para prevenir daños ocasionados por el agua, las válvulas de agua tanto caliente como fría, deben ser accesibles con la máquina emplazada y deben permanecer cerradas si la máquina no está en uso.

### AVISO

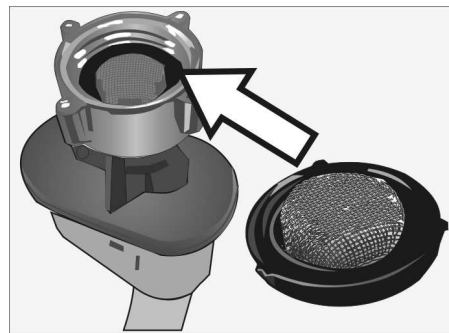
Si la máquina de lavar se instala en un edificio nuevo o donde se ha instalado recientemente la tubería o efectuado modificaciones en la misma, debe hacerse correr abundante agua antes de conectar la lavadora, a fin de eliminar la arena y otros tipos de suciedad de los tubos.

## Conexión

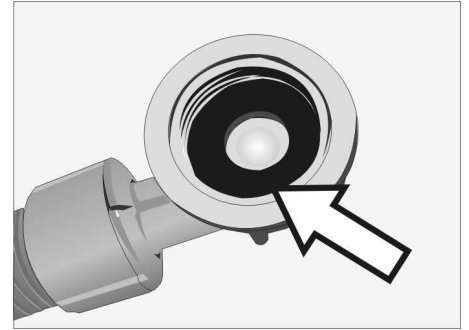
### C Conexión de agua fría

### H Conexión de agua caliente (máx. 140 °F / 60 °C)

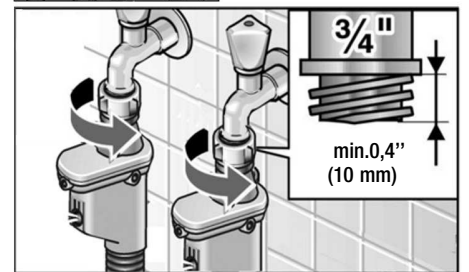
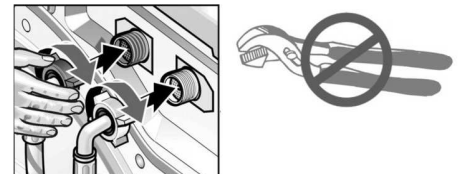
- ❑ No retire los filtros de las mangueras de suministro de agua.



- ❑ Verifique que la arandela/filtro de hule se encuentre en la manguera Aquastop™ antes de conectar la manguera al grifo. No es necesario retirar la arandela para limpiar el filtro. Para limpiar, enjuague debajo del agua del grifo. Si es necesario, limpie suavemente el filtro de malla de alambre para ayudar a remover cualquier desecho acumulado.



- ❑ También verifique que la arandela de hule se encuentre en el extremo de la manguera Aquastop™ que se conecta al electrodoméstico.
- ❑ Las roscas de plástico solo deben ajustarse a mano. Conecte las mangueras de suministro de agua a la parte trasera de la lavadora.
- ❑ Apriete únicamente los acoples de metal a metal (p. ej., los que conectan la manguera Aquastop™ al grifo) con un giro adicional de dos tercios de vuelta, usando pinzas. No use pinzas para apretar conectores roscados de plástico sobre otras roscas de plástico o metal.



- ❑ Después de la conexión: abra completamente los grifos y verifique que las conexiones no presenten pérdidas.

## Riegue con una manga la Extensión

Es posible que la manguera Aquasecure no quepa en el espacio disponible para el grifo en la pared. Un manguera de extensión corta (n.º de parte 645787) está disponible a través de servicio al cliente (ver página 104).

### Otras Mangas

Disponible de comerciantes de aparato:

- Extendió el suministro manga (aproximadamente 96.1 pulgadas /2,44 metros).



## CUIDADO

Los puntos de conexión están sometidos a la presión plena de la tubería. Controle la estanqueidad con los grifos completamente abiertos.

- ❑ After connecting, turn on the water completely and check that connection points are watertight.

## Riegue con una manga la Extensión

Es posible que la manguera Aquastop? no quepa en el espacio disponible para el grifo en la pared. Una manguera de extensión corta (pieza n.º 645787) está disponible sin cargo a través de servicio al cliente (consulte la página 104).

### Otras Mangas

Disponible de comerciantes de aparato:

- Extendió el suministro manga (aproximadamente 96.1 pulgadas /2,44 metros).



## CUIDADO

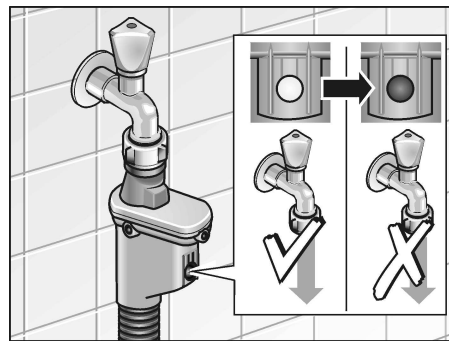
Los puntos de conexión están sometidos a la presión plena de la tubería. Controle la estanqueidad con los grifos completamente abiertos.

## AquaStop™

El sistema Aquastop™ está disponible para modelos selectos únicamente. Aquastop protege contra pérdidas de agua por inundación a través de la lavadora de ropa. Esto se logra usando una válvula de cierre en la manguera Aquastop? y un interruptor flotante en la base de la lavadora.

Aquastop™ es una tecnología de contención interna y no ofrece protección contra fuerzas externas, como problemas de plomería en el hogar o daños provocados a la manguera de la máquina (como daños producidos en la instalación). La máquina debe estar nivelada y encendida ("on") para que funcione correctamente.

- ❑ La función Aquastop™ no está activada y no funcionará si el selector de programas está en la posición apagado ("Off").
- ❑ La lavadora debe estar nivelada para el correcto funcionamiento de Aquastop™



## manguera AquaStop™

La manguera Aquastop™ es un tecnología de contención externa que evita la posibilidad de inundaciones si la manguera tiene una pérdida.

Si la manguera tiene una pérdida, se visualiza una marca roja y se bloquea la entrada de agua.

- ❑ Una manguera Aquastop™ que se ha activado no se puede reprogramar. Consulte a servicio al cliente para obtener un repuesto de la manguera (ver página 104).

## Salida del agua

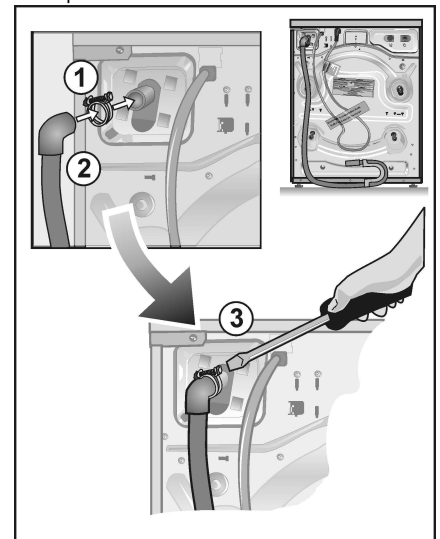
## AVISO

No doble no tire de las mangueras.

La altura del tubo de drenaje no debe ser menor de 12 pulgadas (30.5 cm) por debajo de la parte superior de la lavadora ni mayor de 5 pies (152.4 cm) desde la parte superior de la lavadora.

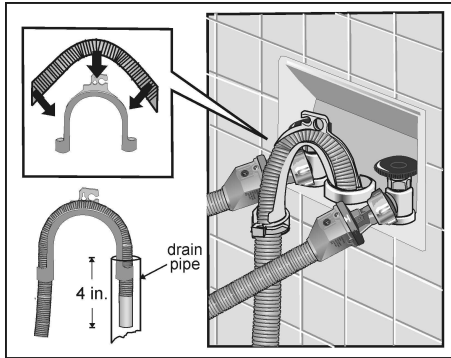
## Conexión de la manguera de drenaje de agua

- ❑ **No retirar completamente el tornillo de la abrazadera.** Soltar el tornillo sólo lo necesario para que la abrazadera se deslice libremente por encima de la manguera de desagüe.
1. Deslizar la abrazadera por encima del extremo de la manguera de desagüe antes de acoplarla al aparato.



2. Acoplar la mangera de deagüe en el conexión de desagüe en la parte posterior del aparato. Colocar la abrazadera a aprox. 9 mm de distancia del extremo de la manguera.
3. Fijar la abrazadera con ayuda de un destornillador.

## Instalación embutida



- ❑ Sujete el codo al extremo de la manguera e inserte el extremo de la manguera en el drenaje de la pared, aproximadamente, cuatro pulgadas. No permita que la manguera se extienda más de cuatro pulgadas dentro del tubo de drenaje.
- ❑ Introducir al máximo la manguera y el codo en la manguera de desagüe abierta, en caso de haber optado por el emplazamiento mostrado en la figura superior.
- ❑ Use una correa o una atadura de cables para mantener la manguera en su lugar. Esto sirve para evitar que la manguera se salga del tubo de drenaje durante el bombeo hacia afuera. La manguera puede atarse a una de las mangueras de suministro de agua o a otros puntos aptos cercanos.

## Conexión eléctrica

### INSTRUCCIONES PARA LA PUESTA A TIERRA

Este electrodoméstico debe estar conectado a tierra. En caso de daño o falla, la conexión a tierra reducirá el riesgo de descarga eléctrica proporcionando una vía de menor resistencia para la corriente eléctrica.

Esta máquina está equipada con un cable que contiene un conductor de puesta a tierra y un enchufe con la conexión correspondiente. El enchufe debe conectarse a un tomacorriente apropiado que esté instalado y conectado a tierra de acuerdo con todas las normas y ordenanzas locales.



### ADVERTENCIA

La conexión incorrecta a tierra, del cable correspondiente del equipo, puede ser causa de descargas Eléctricas. Haga controlar el electrodoméstico por un técnico calificado o técnico de servicio si tiene dudas respecto de la correcta conexión a tierra de la lavadora.

No modifique el enchufe provisto con el electrodoméstico. En caso que no pueda conectarlo al tomacorrientes, haga colocar un tomacorrientes apropiado por un electricista calificado.



### ADVERTENCIA

La máquina de lavar debe conectarse a un ramal individual del circuito eléctrico, a través de un tomacorrientes que ha sido adecuadamente instalado y conectado a tierra.

El voltaje de la instalación domiciliaria, debe coincidir con el voltaje especificado de la máquina de lavar (ver la chapa de características en página 32).

A continuación, se describen las especificaciones de conexión, así como los fusibles/disyuntores requeridos:

Volts	Hertz	Amperes	Wattios
110-120	60	15	1350 (máx.)

Asegúrese que:

- el enchufe quepa en el tomacorrientes.
- el tamaño del cable debe ser suficiente (asegúrese de que el circuito use el calibre de cableado adecuado según los requisitos del electrodoméstico)
- el sistema de puesta a tierra esté correctamente instalado.

El cable de alimentación debe reemplazarlo exclusivamente un electricista.

El servicio a clientes dispone de cables para el recambio.



### ADVERTENCIA

A fin de reducir el peligro incendios o de descargas eléctricas, NO DEBE USARSE un cable de prolongación o un adaptador para conectar la lavadora a la alimentación de energía.

Se recomienda el uso de un interruptor del circuito de fallas de conexión a tierra (Ground Fault Circuit Interrupter, GFCI).

No conecte ni desconecte el enchufe con las manos húmedas.

Toque el enchufe únicamente si lo va a desconectar del tomacorrientes.



# Procedimiento de nivelación

## Importancia de nivelar la lavadora

Las altas velocidades de centrifugado que su lavadora de alto rendimiento alcanza hacen que nivelar la lavadora durante la instalación sea una medida muy importante para **reducir el ruido y la vibración**.

Las patas de la lavadora son de altura ajustable y deben ajustarse de manera tal que la lavadora esté nivelada y cada pata esté asentada firmemente contra el piso.

**Si no se siguen estos procedimientos, la lavadora puede experimentar una gran cantidad de vibración y causar mucho movimiento en la lavadora y niveles de ruido excesivos.**

**i** Nivele la lavadora antes de apilar la secadora sobre ella en una instalación de lavadora/secadora apiladas.

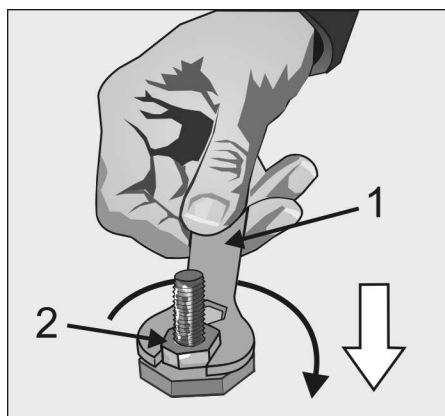
## Acciones importantes durante la nivelación

1. Antes de comenzar el procedimiento de nivelación, traslade la lavadora hasta la ubicación final donde la usará.
2. No empuje la lavadora por el piso con las patas niveladoras de la lavadora extendidas. Esto puede dañar el piso o las patas niveladoras de la lavadora.
3. Comience con las cuatro patas niveladoras de la lavadora insertadas completamente de manera tal que queden bien ajustadas contra la parte inferior de la lavadora.
4. Al nivelar, mantenga la base de la lavadora tan cerca del piso como sea posible para reducir el ruido y la vibración durante el uso. Extienda las patas niveladoras de la lavadora solamente en la medida en que sea necesario para nivelar la lavadora.
5. Sostenga la pata de la lavadora (la parte de hule que se encuentra en la parte inferior) con una llave de 36 mm (1 1/2 pulg.) o una pinza ajustable mientras aprieta la tuerca de retención hacia arriba contra la parte inferior de la lavadora. No permita que la pata gire. Si se permite que la pata niveladora de

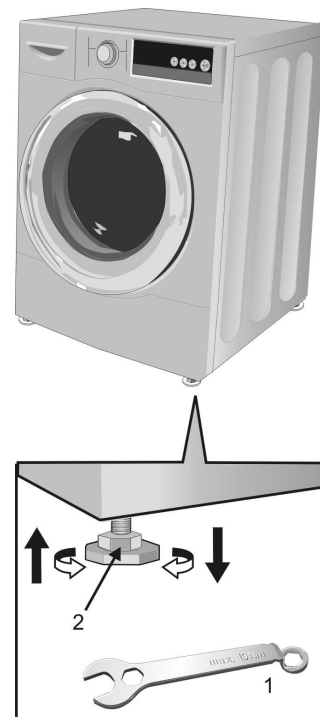
la lavadora gire al apretar la tuerca de retención, la altura de la lavadora en esa esquina cambiará.

## Procedimiento de nivelación

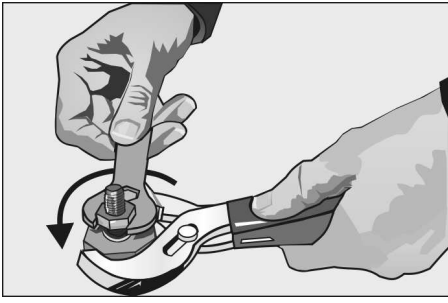
1. Con la lavadora en su posición final, verifique que esté nivelada. Para hacerlo, use un nivel de burbuja si cuenta con uno. Un método alternativo es colocar un bol grande casi lleno de agua en el medio de la parte superior de la lavadora. El agua debe quedar a una distancia de alrededor de 1/2 pulg. (12.7 mm) de la parte superior del bol. Si el agua está a la misma distancia de la parte superior del bol en toda la circunferencia del bol, la lavadora está bastante nivelada.
2. Presione hacia abajo en cada esquina de la lavadora. La lavadora debe permanecer firme cuando se la presiona hacia abajo, no debe "ceder" ni moverse.
3. Si una esquina de la lavadora se mueve hacia abajo cuando se la presiona hacia abajo, es necesario extender la pata niveladora que se encuentra debajo de la esquina. La pata debe apoyarse firmemente en el piso.
4. Use la llave de 16 mm (5/8 pulg.) incluida (1) para girar la tuerca de retención hacia la derecha (2). Gire la tuerca de retención hacia abajo hasta que se traben contra la base de la pata. Una vez que la tuerca de retención esté apretada contra la pata, la pata girará con ella cuando se gire la tuerca de retención. Esto le permitirá extender la pata niveladora de la lavadora.



(la figura anterior muestra la pata niveladora retirada de la lavadora para mayor claridad).



5. Gire la pata hacia la derecha para extenderla. Continúe girándola hasta que la pata quede bien ajustada contra el piso. Vuelva a empujar la esquina de la lavadora hacia abajo. Cuando la esquina de la lavadora no se mueva hacia abajo, trabe la pata en su lugar apretando la tuerca de retención de nuevo hacia arriba contra la parte inferior de la lavadora.
6. Gire la pata hacia la izquierda para levantarla. La pata puede girarse con una llave de 36 mm (1 1/2 pulg.) o una pinza ajustable. No intente levantar la pata girando la tuerca de retención hacia la izquierda. Únicamente gire la tuerca de retención hacia la izquierda para trabarla contra la parte inferior de la lavadora cuando la pata niveladora esté colocada correctamente.



7. Sostenga la parte de hule inferior que se encuentra en la pata de la lavadora con una llave de 36 mm (1 1/2 pulg.) o una pinza ajustable para evitar que gire.

(la figura anterior muestra la pata niveladora de la lavadora retirada de la lavadora para mayor claridad).

8. Use la llave de 16 mm (5/8 pulg.) para girar la tuerca de retención hacia la izquierda. **Gire la tuerca de retención hasta que se traben en su lugar contra la parte inferior de la lavadora. La tuerca de retención debe estar apretada contra la parte inferior de la lavadora.** No la apriete en exceso.

**i** **Importante:** No permita que la pata niveladora de la lavadora gire cuando esté girando la tuerca de retención; de lo contrario, la altura de la esquina cambiará.

9. Repita los pasos 2 al 7 para cada pata niveladora de la lavadora hasta que la lavadora esté nivelada y las cuatro patas se apoyen firmemente contra el piso.

La lavadora no debe balancearse ni moverse cuando se la presiona hacia abajo en cada esquina. Si no se mueve, repita el proceso.

**i** Si se necesita levantar (acortar) la pata de la lavadora, es posible que sea necesario reducir el peso sobre la pata para que se pueda girar libremente.

10. Vuelva a verificar periódicamente el estado de nivelación de la lavadora. Asegúrese de que las cuatro patas permanezcan trabadas en su lugar. Si observa un balanceo o movimiento de la lavadora, vuelva a verificar la nivelación y la posición de las patas niveladoras de la lavadora.

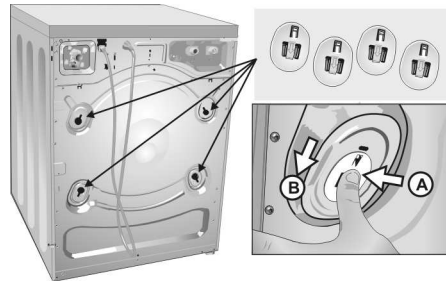
## Cómo transportar la lavadora

Antes de transportar la máquina de lavar:

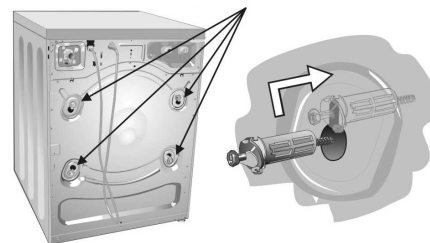
- Cierre los grifos de agua.
- Desconecte la máquina de lavar del tomacorriente.
- Retire las mangueras de suministro y drenaje.
- Instale los conjuntos de pernos de transporte (consulte la sección a continuación).

## Cómo preparar e insertar los conjuntos de pernos de transporte

- Retire las cuatro cubiertas para los orificios de los pernos de transporte.



- Retire las cuatro cubiertas para los orificios de los pernos de transporte: afloje el tornillo en la funda hasta que el extremo del mismo se nivele con la funda.



- Inserte y apriete todos los conjuntos de pernos de transporte. Asegúrese de que la lengüeta del perno de transporte esté insertada en la ranura del panel posterior de la lavadora.

# INSTRUCCIONES DE FUNCIONAMIENTO

## Antes de usar



### ADVERTENCIA

Para reducir el riesgo de incendio, descargas eléctricas o lesiones a las personas, lea las INSTRUCCIONES DE SEGURIDAD IMPORTANTES antes de operar este electrodoméstico.



### ADVERTENCIA

Antes de usar su lavadora de ropas, lea y siga todas las instrucciones de la instalación y funcionamiento.

## Panel de control

### Selector de programas

Enciende o apaga la máquina y selecciona el programa. Puede girárselo en ambas direcciones.

### Panel de display

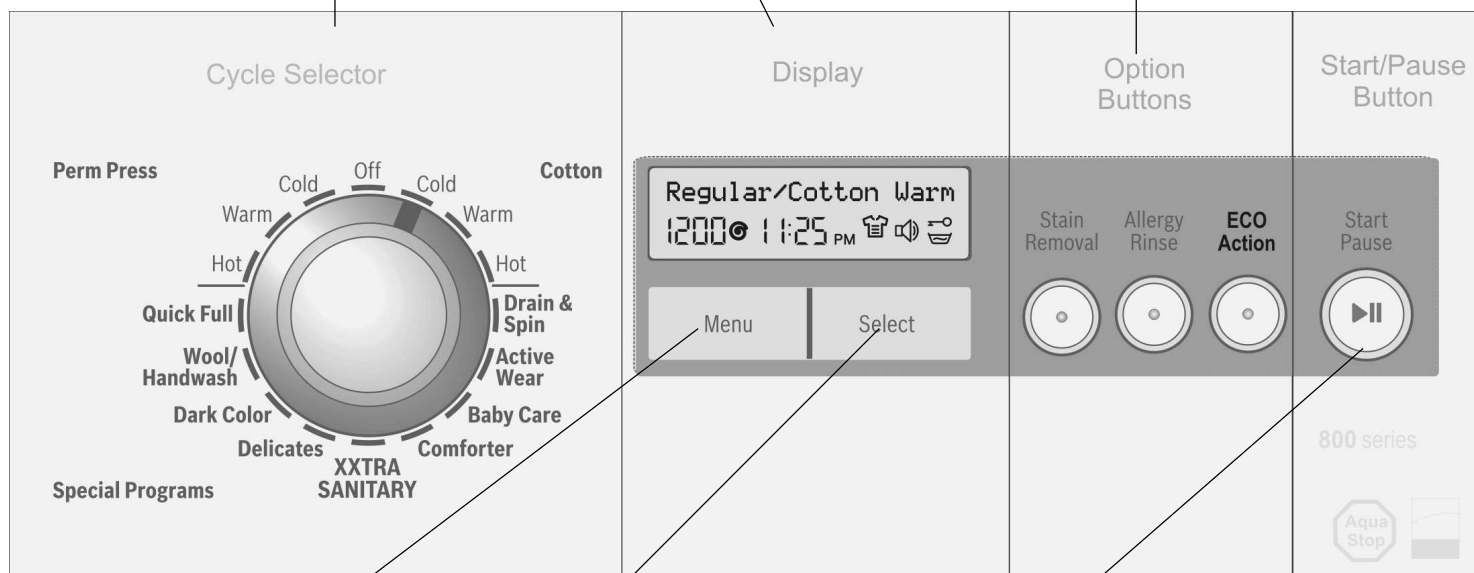
Indica los ajustes seleccionados o que se están por cambiar (p. ej. velocidad de centrifugado, la hora de finalización, remojo, la hora y el estado del seguro para niños) así como el estado de avance del programa.

### Botones para opciones adicionales al programa en caso de necesidad)

**Stain removal:** Tiempo de lavado adicional y controles de temperatura adicionales para remover mejor las manchas.

**Allergy Rinse (Enjuague antialergias):** Ciclo de enjuague adicional para proporcionar mayor acción de enjuague.

**ECO Action®:** Esta opción reduce la cantidad de energía utilizada para el programa de lavado.



### Menu (Menú)

Selecciona los ajustes que desean cambiarse.

### Select (Botón de selección)

Modifico todos los ajustes indicados en el panel de display

### Botón Start/Pause (Arranque/pausa)

Inicia o interrumpe el ciclo de lavado (se debe seleccionar el programa antes de presionar el botón Start/Pause (Arranque/Pausa))

### Luz indicadora Start/Pause (Arranque/Pausa)

**La luz indicadora centellea:** Se pueden modificar los ajustes, se puede iniciar el ciclo de lavado, la puerta está trabada por razones de seguridad, la protección para niños está activada o el programa está en el modo "Pause" (Pausa).

**La luz indicadora está apagada ("off"):** El programa ha concluido o no hay programa seleccionado, o la puerta está abierta.

# Antes del primer uso

## ⚠ ADVERTENCIA

Para reducir el riesgo de incendio, descargas eléctricas o lesiones a las personas, lea las INSTRUCCIONES DE SEGURIDAD IMPORTANTES antes de operar este electrodoméstico.

La máquina de lavar debe estar correctamente instalada y conectada (ver página 76).

Gire el selector de ciclo a cualquier ciclo para encender la lavadora e iluminar la pantalla. Gire el selector de ciclo a la posición "Off" (Apagado) para apagar la lavadora.

## ⚠ ADVERTENCIA

Antes de usar su lavadora de ropas, lea y siga todas las instrucciones de la instalación y funcionamiento.

# Primer uso

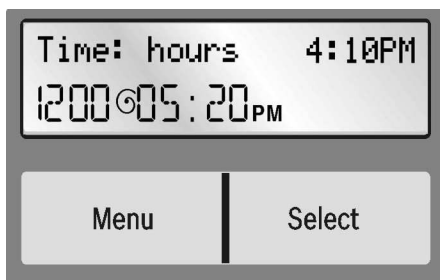
## Ajustar la hora

**i** El tiempo debe programarse antes de que se puedan programar otras funciones.

Puede ajustar la hora. El ajuste efectuado se conservará por un tiempo de hasta 6 meses después del último uso de su máquina de lavar.

- ❑ Gire el selector de programas hasta que señale el programa deseado.

### Ejemplo:

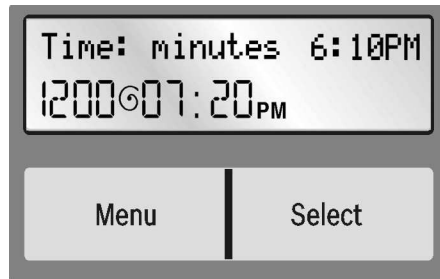


- ❑ Presione el botón **Menu** hasta que se visualice «Hora». El display de la indicación de tiempo centellea.

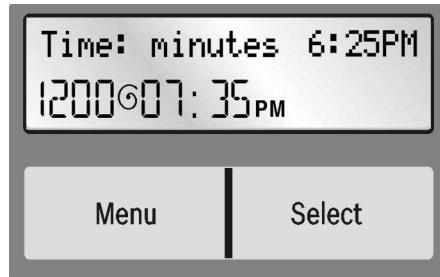
**i** Si no se presiona otro botón en los siguientes 10 segundos, el display regresa a la indicación «Preparado» y las modificaciones efectuadas se memorizan.



- ❑ Presione el botón **Select** hasta que el display indique la hora correcta.



- ❑ Presione el botón **Menu** hasta que la indicación de los minutos centellee.



- ❑ Presione el botón **Select** hasta que el display de los minutos indique la cifra correcta. Queda así ajustada la hora.

**i** Presione el botón **Menu** para finalizar la función Menú.

Puede modificar otros ajustes presionando el botón **Menu** y efectuando la modificación presionando el botón **Select**.

## Selección del idioma

**i** El tiempo debe programarse antes de que se puedan programar otras funciones.

**i** El selector de programas no debe estar en la posición **Off**.

- ❑ Presione Simultáneamente los botones **Menu** y **Select** y manténgalos accionados (5 segundos) hasta que se visualiza el ajuste vigente.



- ❑ Presione el botón **Select** hasta que se visualiza el idioma deseado.
- ❑ Confirme el idioma seleccionado, presionando el botón **Menu**.

**i** La selección de idioma puede confirmarse, ya sea presionando el botón **Menu** (Menú) o dejando el idioma seleccionado en la pantalla durante cinco segundos.

## Campo de la pantalla

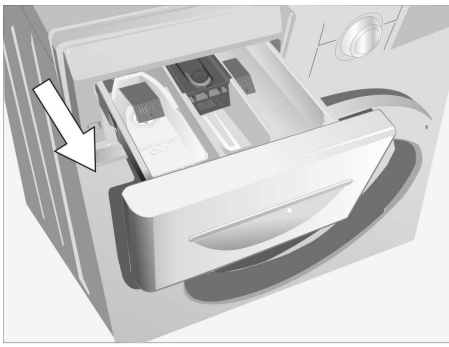
En la primera línea, aparece el texto del progreso de la operación y del programa a la izquierda. La hora actual se muestra a la derecha cada vez que aparece "Ready" (Listo) a la izquierda.

En la segunda línea, la pantalla indica la velocidad de centrifugado y la hora estimada de finalización del programa, así como los símbolos para la Velocidad de centrifugado, el Modo de Lavado, Pre-Remojo, Señal y Protección para niños.

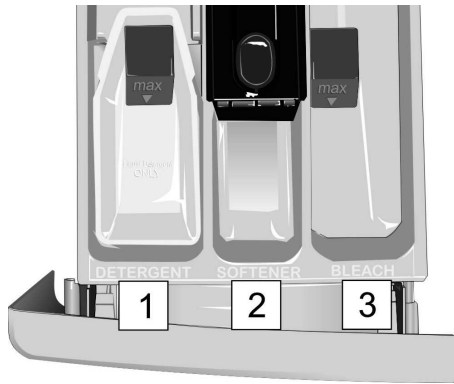
## Primer ciclo de lavado (sin ropa)

Su electrodoméstico ha sido sometido a pruebas exhaustivas antes de salir de fábrica. Es posible que quede una pequeña cantidad de agua residual en la lavadora. Para asegurar un lavado en agua limpia en su primera carga de ropa, primero haga funcionar la lavadora durante un ciclo completo, sin ropa en el tambor.

1. No cargue ropa alguna.
2. Abra los grifos de agua.



- Abra el cajón dispensador de detergente.



- Vierta 1–2 cdas. de detergente dentro del compartimiento para detergente principal (1 en la ilustración anterior).

**i** No utilice detergentes especiales o para lana (estos detergentes producen demasiada espuma).

- Cierre el cajón dispensador de detergente.
- Asegúrese de que la puerta de la lavadora esté cerrada.
- Coloque el selector de programas en **Regular/Cotton Hot**.
- El indicador luminoso rojo **Start/Pause** (rojo) centellea.
- Press the **Start/Pause** button.

**i** Los diversos pasos del programa se visualizan en el display.

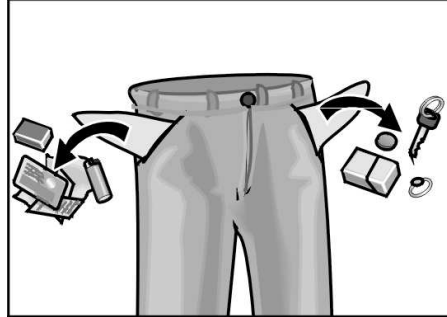
Cuando se visualiza «Quitar la ropa»:

- Abra la puerta.
- Gire el selector de programas a **Off**.

## Preparar la ropa

### AVISO

Objetos sueltos (monedas, broches para papel, clavos u otros objetos duros) pueden dañar las prendas o partes de la máquina de lavar (p. ej. el tambor).



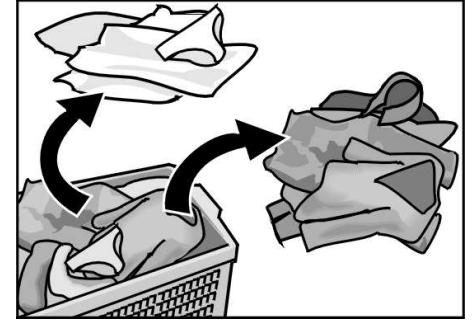
- Vacíe los bolsillos.
- Cepille para eliminar hilachas y suciedad.
- Asegúrese de que los cierres que podrían causar que la ropa quede atrapada o se enganche estén cerrados. Esto incluye los zippers, las fundas de edredón con botones (acolchados) y cualquier tipo de ganchos, como los de los sostenes.
- Quite las correderas de las cortinas o colóquelas a todas juntas en una red.
- Quite agujas, botones, hebillas y otros objetos que pueden rayar el interior de la lavadora.
- Quite adornos y ornamentos no lavables.
- Gire el interior de tejidos de punto sintéticos hacia fuera, a fin de evitar que se arruine.
- Trate las manchas.

Para evitar pérdidas o daños en la ropa y en la máquina, los siguientes artículos pueden lavarse únicamente en una bolsa de malla para ropa:

- Soquetes de bebé (prendas pequeñas)
- Ropa interior o de punto
- Cinturones
- Los sostenes con varilla (debido al riesgo de que el alambre se salga durante el lavado y provoque daños al electrodoméstico).

## Seleccionar la ropa

De acuerdo al color y el grado de suciedad



### AVISO

Las prendas pueden decolorarse. Nunca lave prendas nuevas multicolor, juntamente con otras prendas.

Prendas blancas pueden ponerse grises. Lave siempre por separado, la ropa blanca y aquella de color.

## Grados de suciedad

### Poca suciedad

Suciedad no reconocible o manchas. Ropa que huele a cuerpo.

- Ropa liviana de verano.
- Camisas playeras, camisas y blusas que han sido usadas por menos de un día.
- Sábanas y toallas que fueron usadas por un día.

### Suciedad normal

Suciedad visible y/o manchas fácilmente reconocibles.

- Camisas playeras, camisas y blusas muy sudadas o usadas varias veces.
- Toallas de baño o de mano y sábanas que fueron usadas por un tiempo de hasta una semana.
- Cortinas (que no presenten manchas de humo) que no fueron lavadas por un tiempo de hasta 6 meses.

### Suciedad intensa

Suciedad y/o manchas reconocibles.

- Toallas de mano de cocina que hayan sido usadas durante varios días o tengan signos visibles de suciedad.
- Servilletas de tela.
- Baberos.
- Ropa de niños o camisas y shorts de deporte con manchas de tierra o pasto.
- Ropa de trabajo, como la que se usa para hacer trabajos al aire libre o trabajos en el jardín.

## Manchas típicas

- Salsa, té, café, vino tinto, fruta, verduras.
- Té, café, vino tinto, frutas, verduras.
- Sangre, huevo, leche, almidón (que contenga proteínas o carbohidratos).
- Hollín, tierra, arena (pigmentos), arcilla roja.

## Quitar manchas

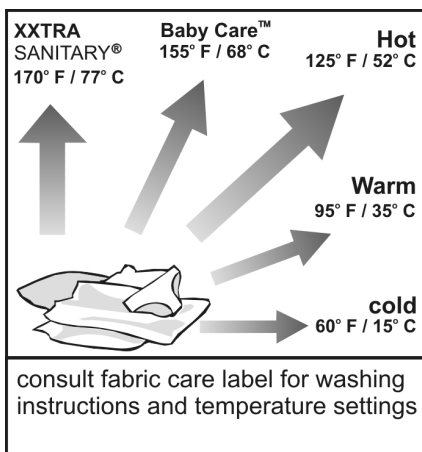
En lo posible, quite o trate las manchas mientras son frescas.

Primero, coloque agua jabonosa sobre la mancha. No las friegue.

Lave las prendas a continuación, utilizando el programa adecuado.

A veces es necesario aplicar varios ciclos de lavado para eliminar manchas persistentes o secas.

## Seleccionar la ropa de acuerdo a las especificaciones de cuidado



## Tipos de símbolos

- Lavado a máquina, algodón
- Lavado a máquina, estampados
- Lavado a máquina, ropa delicada
- Lavado a mano

## Temperaturas

- Frío
- Tibio
- Caliente

No lave prendas en la máquina de lavar que presenten el símbolo "Do not Wash" o DO NOT WASH

## Cargar la ropa

**⚠ ADVERTENCIA**

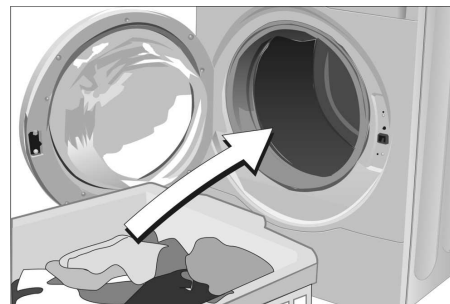
¡PARA EVITAR PELIGRO DE EXPLOSIÓN!

Prendas de ropa tratados previamente con agentes de limpieza en base a solventes o bien agentes de limpieza en seco, representan un peligro de explosión una vez cargados en la máquina de lavar. Antes de cargarlos, deberá aclarárselos prolijamente a mano.

**AVISO**

Objetos sueltos que se encuentren en el interior del tambor de la máquina de lavar, pueden dañar la ropa. Antes de cargar la ropa, controle que no se encuentren objetos en el tambor.

- ❑ Abra la puerta.



- ❑ Coloque las prendas holgadamente en el tambor. Mezcle prendas grandes y pequeñas. Las prendas de diversos tamaños se distribuyen mejor durante el ciclo de centrifugado.

Para obtener los mejores resultados, se recomienda cargar el tambor según el tipo de tejido.

**Plena carga**  
Algodón y lino

**½ carga**  
Estampados, combinaciones de fibras sintéticas y tejidos.

**⅓ de carga**  
Lana, ropa delicada, seda

- i** No exceda la carga máxima para el ciclo seleccionado. La sobrecarga provoca malos resultados de lavado y mayor cantidad de arrugas.
- ❑ Cargue el tambor, al menos, hasta la mitad en los ciclos Cotton (Algodón) y Permanent press (Planchado permanente). Las cargas pequeñas tienden a generar una condición de desequilibrio.
- ❑ Cierre la puerta por completo. La puerta debe cerrar fácilmente. No debería ser necesario forzar la puerta para cerrarla.
- i** No deje ninguna prenda atrapada entre la puerta y el sello de hule.

# Ropa Detergentes y aditivos

## Cómo agregar la cantidad correcta de detergente

### **⚠ ADVERTENCIA**

¡PARA EVITAR RIESGO DE ENVENENAMIENTO!  
Mantenga los detergentes y aditivos fuera del alcance de los niños.

Mida el detergente (polvo o líquido) de acuerdo a:

- La dureza del agua. Esta información puede obtenerla de su proveedor de agua local. Aguas blandas requieren de una cantidad de agente de lavado menor.
- La cantidad de ropa.
- El grado de suciedad. Información al respecto, la hallará en la página 89.
- Las especificaciones del fabricante del detergente. Midiendo correctamente la cantidad de detergente, reduce los daños al medio ambiente y aseguran un resultado óptimo del lavado.

#### **Demasiado poco detergente:**

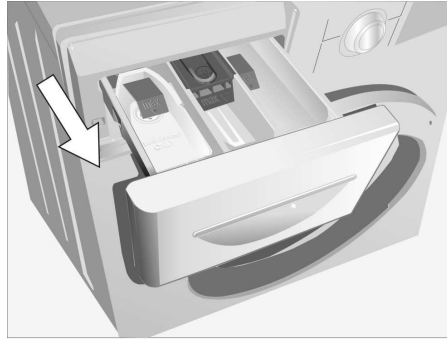
La ropa no se limpia correctamente y, con el tiempo, se pone gris y rígida. Es posible que aparezcan manchas grisáceas amarillentas en la ropa. El calentador puede calcificarse.

#### **Demasiado detergente:**

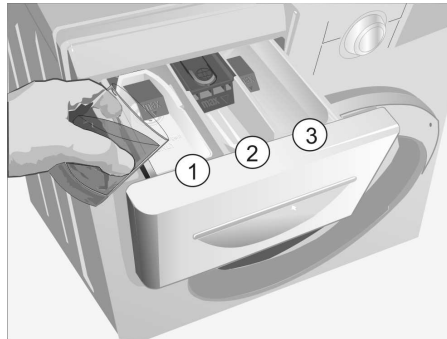
El exceso de espuma reduce la agitación del lavado, y esto produce malos resultados de lavado y enjuague, y puede impedir un centrifugado correcto.

## Carga de la ropa, el detergente y/o los aditivos

- ❑ Abra el cajón dispensador de detergente.



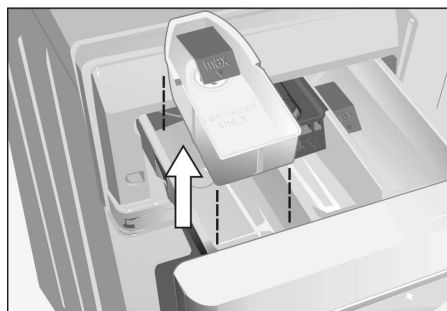
- ❑ Agregue el detergente y/o los aditivos líquidos. Primero, verifique que el accesorio para líquido esté colocado en el compartimiento para detergente (1). Si usa un detergente en polvo, consulte la siguiente nota sobre cómo retirar el accesorio para detergente líquido.



- i** No sobrecargue el compartimiento para evitar que se dispense antes de tiempo.

- i** ¡NO opere la lavadora si el cajón para detergente no está en su lugar y completamente cerrado!

- ❑ Si usa un detergente en polvo, primero, retire el accesorio para detergente líquido del compartimiento 1.



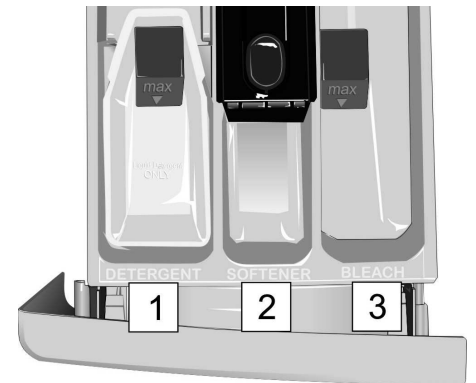
- ❑ Almacene la adición líquida de detergente para el uso posterior.

- i** Recomendamos los detergentes HE, ya que están diseñados para lograr un rendimiento óptimo de su lavadora de carga frontal. No usar un detergente HE podría ocasionar problemas, tales como exceso de espuma, periodos de ciclo prolongados o un menor rendimiento de lavado.

Busque detergentes con el logotipo HE (que se ilustra a continuación).



## Compartimientos del dispensador de detergente



### **1** Compartimiento para detergente

- Úselo para agregar detergente a la carga de lavado.
- El detergente líquido debe usarse únicamente con el accesorio para detergente líquido en su lugar.
- Agregue únicamente la cantidad medida correcta de detergente para evitar el exceso de espuma.
- NO lo sobrecargue: Si usa detergente líquido, deténgase en el nivel de llenado marcado "max" (máx.) en la tapa del sifón (consulte la ilustración anterior).
- Al comienzo del ciclo de lavado, el detergente es arrastrado desde el dispensador hacia el lavado.
- If using powder detergent, first remove the liquid detergent insert

## 2 Compartimiento para suavizante de tejidos

- Agregue la cantidad recomendada de suavizante de tejidos.
- NO lo sobrecargue: Deténgase en el nivel de llenado marcado “max” (máx.) en la tapa del sifón (consulte la ilustración anterior).
- La sobrecarga puede ocasionar que el suavizante se dispense antes de tiempo.
- NO vierta suavizante de tejidos directamente dentro de la carga de lavado.
- El suavizante de tejidos se dispensará automáticamente durante el último ciclo de enjuague.

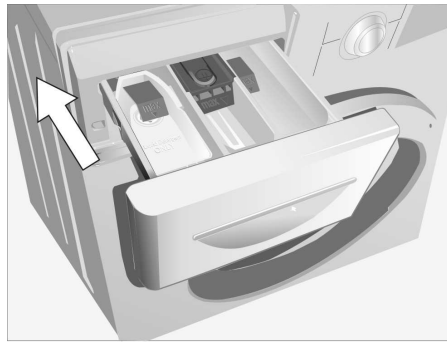
**i** No use suavizante en tejidos para uso en exteriores (p. ej.: materiales recubiertos con hule o impermeables).

## 3 Compartimiento para blanqueador

- Agregue la cantidad medida correcta de blanqueador con cloro líquido o blanqueador apto para ropa de color en este compartimiento.
- NO lo sobrecargue: Deténgase en el nivel de llenado marcado “max” (máx.) en la tapa del sifón (consulte la ilustración).
- La sobrecarga puede ocasionar que el blanqueador se dispense antes de tiempo, lo que puede dañar la carga de ropa.
- NO vierta blanqueador con cloro sin diluir directamente en la ropa para evitar dañar los tejidos.
- El blanqueador se dispensará automáticamente en el momento adecuado durante el ciclo de lavado.

**i** El suavizante de tejidos concentrado o espeso, el acondicionador y el blanqueador en polvo deben diluirse con un poco de agua antes de verterlos en el dispensador.

**i** El blanqueador puede ocasionar la decoloración de las superficies de color de la lavadora. Es importante mantener el blanqueador lejos de las superficies de color de su lavadora. Use una toalla de papel húmeda para limpiar cualquier derrame de blanqueador.



**i** Cierre el cajón del dispensador de detergente antes de iniciar cualquier ciclo. Asegúrese de que el cajón esté completamente cerrado.

## Pérdida de color

### AVISO

Los colorantes pueden contener azufre o cloro. Estas sustancias pueden producir óxido en algunas partes de la máquina de lavar. No coloree prendas de ropa en la máquina de lavar.



# Ciclos y Funciones

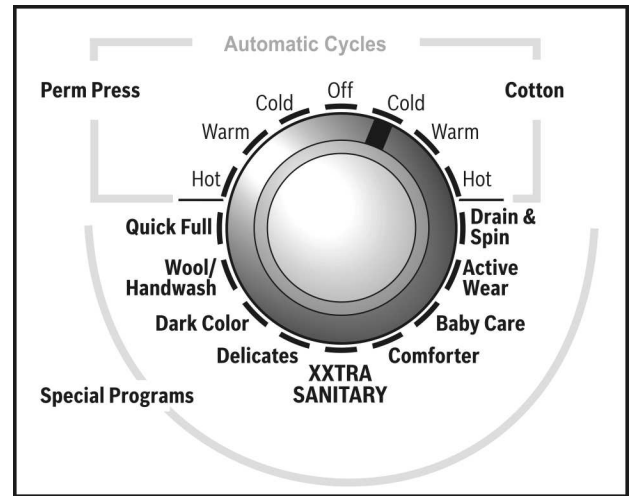
Para lavar óptimo resulta su arandela ofrece varios grupos del programa y opciones adicionales.

**Los ciclos automáticos** incluyen Regular/Cotton (Normal/Algodón) y Permanent press (Planchado permanente). La selección del programa se basa, en parte, en el tipo de tejido del lavado.

**Los tiempos de los ciclos variarán según el ciclo seleccionado, la temperatura y la presión del agua de entrada, la dureza del agua, el tamaño de la carga, el tipo de tejido y la cantidad de detergente que se utilice.**

**Los programas especiales** tienen un diseño personalizado para necesidades de lavado especiales o tipos específicos de tejidos.

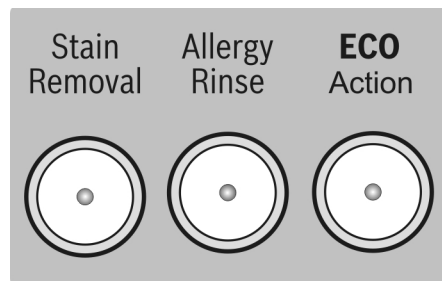
**Se pueden seleccionar** opciones adicionales presionando uno de los botones de opciones del panel.



## Velocidades máximas de centrifugado de los ciclos

Revolutions per minute	Type of laundry/Extra cycle
1200	Regular/Cotton
800	Permanent Press
600	Delicates
400	Wool/Handwash
600	Comforter
900	Quick Full
600	Dark Color
1200	XtraSanitary®
1200	Baby Care™
800	Active Wear™
1200	Drain & Spin

## Option Buttons



### Stain Removal (Quitamanchas)

Se recomienda usar la opción Stain Removal (Quitamanchas) con ropa muy sucia en las que se deban quitar manchas difíciles a base de proteínas adheridas profundamente en el tejido. No se recomienda usar la opción Stain Removal (Quitamanchas) al lavar ropa normal o levemente sucia. Se extiende el tiempo de lavado.

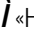
### Allergy Rinse

Cuando se presiona este botón, se agrega un ciclo de enjuague adicional al ciclo seleccionado. El segundo enjuague ayuda a remover las sustancias irritantes que causan alergias más complicadas.

### ECO Action®

Esta opción reduce la cantidad de energía que se consume en hasta un 20% al aumentar el tiempo de lavado. Esta opción no se encuentra disponible para los ciclos de lavado con agua fría.

## Tabla de selección de ciclos

Ciclos automáticos		
<b>Regular/Cotton (Ropa común / Algodón)</b>		
Para algodón o lino.	Type	ensuciar
<b>Hot (Caliente)</b>	Prendas robustas de trabajo confeccionadas de algodón o lino como ropa de trabajo y ropa interior.	Ropa de colores firmes con grado de suciedad regular o elevada.
<b>Warm (Tibio)</b>	Ropa robusta y de trabajo confeccionadas de algodón con vaqueros, chombas y camisas.	prendas con suciedad leve y/o normal
<b>Cold (Frío)</b>	Ropa robusta y de trabajo confeccionadas de algodón o lino (colores que destiñen o se desvanecen).	Prendas no muy sucias que destiñen.
<b>Permanent press (Estampados)</b>		
Easy-care (drip-dry) laundry made of synthetic and blended fabric (e.g. , cotton/polyester).		
<b>Hot (Caliente)</b>	Algodón con grado de suciedad normal de algodón, lino, fibra sintética o mezclas o prendas de vestir.	con grado de suciedad
<b>Warm (Tibio)</b>	Algodón que destiñen, con grado de suciedad medio o leve, estampados, de lino, de fibra sintética o mezcla y de vestir.	con grado de suciedad
<b>Cold (Frío)</b>	Algodón que destiñen, con grado de suciedad medio o leve, estampados, de lino, de fibra sintética o mezcla y de vestir.	con grado de suciedad
Special Programs (Programas especiales)		
<b>Quick wash</b>	El ciclo muy corto diseñado para lavar una carga llena de prendas de vestir muy levemente sucias.	
<b>Wool/Hand wash (Lavado a mano)</b>	Los ajustes para el lavado a mano se entienden para el lavado de prendas muy delicadas de cuidado fácil, que normalmente se lavan a mano. Estos programas fueron diseñados para un tratamiento extremadamente delicado de las prendas. Con este programa pueden lavarse sin problemas, prendas marcadas con el símbolo  «Hand wash» (lavado a mano) en la etiqueta de cuidados.	
<b>Dark Color</b>	Especialmente diseñado para tejidos oscuros de color, este programa reduce desteñir y arrugar.	
<b>Delicates</b>	Los ajustes para prendas delicadas se entienden para su uso para prendas finas de cuidado fácil de algodón, satén, prendas de fibra sintéticas o mezcla, cortinas, trajes, faldas y blusas.	
<b>XXTRASANITARY<sup>®</sup></b>	Esta programa fue desarrollado especialmente para eliminar la mayoría de las bacterias existentes en los hogares dando un tratamiento delicado a los tejidos. Utilizado para prendas muy sucias y/o manchadas que requieren de una desinfección, tales como toallas, ropa interior, medias, sábanas, manteles, etc.	
<b>Comforter</b>	Programa especialmente diseñado para prendas grandes/voluminosas. Se usa más agua para asegurar que las prendas se mojen por completo, y el centrifugado es más suave para evitar que las prendas se estiren.	
<b>Baby Care<sup>™</sup></b>	Ajustes de regular/algodón son pensados ser utilizados para tejidos de colores inalterables mucho sucios y/o manchados. Los artículos firmes y resistentes hicieron de algodón o lino como toallas, las hojas o calcetines blancos de deporte.	
<b>Active Wear<sup>™</sup></b>	Diseñado para cuidar de tejidos sintéticos utilizados en prendas de vestir de la mayoría del—ejercicios relaciónó (p.e. nilón, el poliéster, las mezclas y spandex.	
<b>Drain &amp; Spin</b>	Enjuague y centrifugado: Seleccione Drain & Spin (Drenar y centrifugar), agregue la opción “Allergy Rinse” (Enjuague antialergias). Se agrega un enjuague, se drena el agua y a continuación, se realiza un centrifugado de alta velocidad	

**i** No lave prendas nuevas multicolor junto a otras ropas.

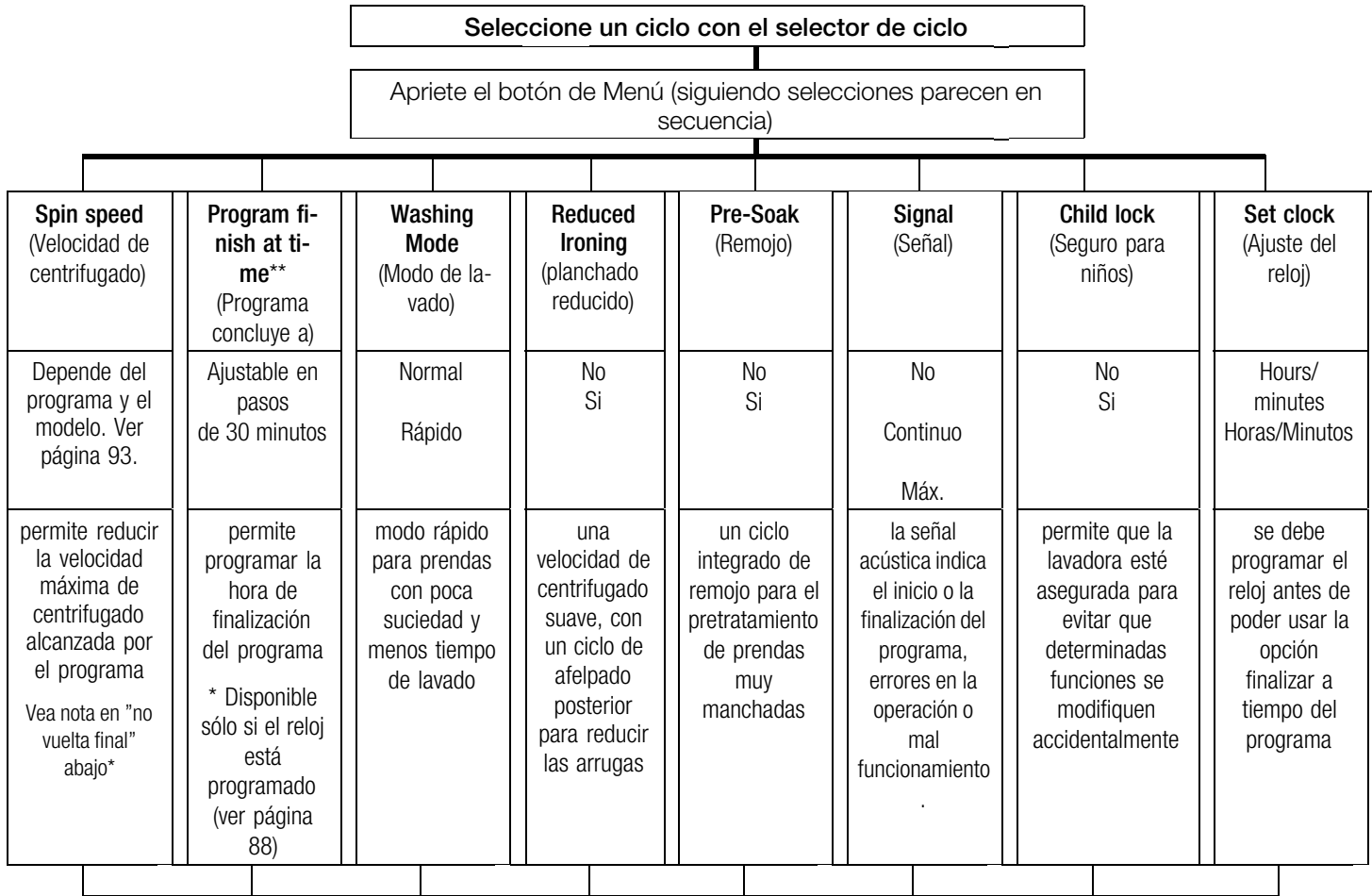
# Opciones y funciones especiales del LCD Menu

Los ajustes individuales pueden adecuarse a sus requerimientos.

Abajo se visualiza una vista general de los ajustes posibles.

Los pasos para modificar los ajustes se describen detalladamente a continuación.

## Vista general



\*No final spin ("Sin centrifugado final")

Se drena el agua de la máquina después del enjuague final. Se recomienda para ropa delicada. Use esta programación para evitar la formación de arrugas si la ropa no puede sacarse de la lavadora inmediatamente al terminar el ciclo.

Presione el botón **Select** hasta que se visualiza el ajuste deseado.

resione el botón **Menu** para visualizar otros ajustes, o bien **Start/Pause** para comenzar con el lavado.

## Cambiar Demostró Ajustes

Importante: No permita que la pata niveladora de la lavadora gire cuando esté girando la tuerca de retención; de lo contrario, la altura de la esquina cambiará. ¡Antes poner las opciones adicionales, eligen un programa con el selector del programa!



Seleccione ajustes apretando el botón de **Menú** y cámbielos apretando el botón **Selecto**.

Seleccione la opción para ser cambiada con el "" Menú" botón. Apriete el botón para mover a la próxima opción en la presentación. El símbolo activo empieza a destellar.

Los ajustes activos actuales de la opción son demostrados a la derecha.

Estos ajustes ahora pueden ser cambiados con el botón "**Selecto**". Apriete el botón para saltar a la próxima colocación posible.

- i** Al presionar el botón "Menu" (Menú) nuevamente, se guardan las programaciones anteriores. Si no se presiona ningún botón durante 10 segundos, las programaciones se guardan automáticamente.

## Demuestre Símbolos

Symbol	Function	Settings
	<b>Washing Mode</b> (Modo)	lavado normal
		lavado rápido
	<b>Stain Removal</b> (La eliminación de la mancha)	On/Off
	<b>Pre-Soak</b>	On/Off
	<b>Signal</b>	Off, Continuous, Max
	<b>Child lock</b> (el seguro para niños)	On/Off

Los símbolos se muestran en el panel de LCD únicamente si la programación respectiva no está en la posición "Off" (Apagado).

## Child lock (Seguro para niños)

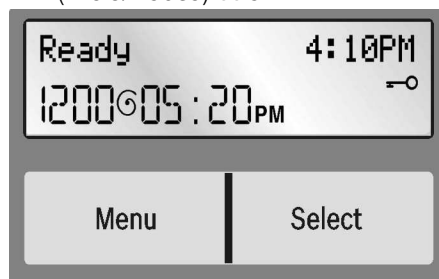
Puede asegurar su máquina de lavar, a fin de evitar la modificación involuntaria de los ajustes.

Si se ha seleccionado Child lock (Bloqueo para niños):

- No pueden efectuarse modificaciones mientras el programa está en progreso.
- La puerta permanece trabada al finalizar el programa.

## Arranque de un programa con «Seguro para niños: sí»

- Gire el selector de programas hasta que señale el programa deseado.
- Cargue la ropa y cierre la puerta. La luz indicadora **Start/Pause** (Inicio/Pausa) titila.



- Presione el botón Start/Pause (Inicio/Pausa) y manténgalo presionado (5 segundos). El ciclo se inicia. La luz indicadora se enciende. El bloqueo para niños se activa.
- i** Para desactivar Child lock (Bloqueo para niños), presione el botón Start/Pause (Inicio/Pausa) nuevamente (durante 5 segundos) hasta que la luz indicadora Start/Pause (Inicio/Pausa) titile. Ahora puede cambiar de ciclo o de opción. Presione el botón Start/Pause (Inicio/Pausa) para volver a activar Child lock (Bloqueo para niños).

## Para interrumpir el programa para agregar/retirar ropa

- Presione el botón **Start/Pause** y manténgalo accionado (5 segundos). El seguro para niños se reactiva y el programa se interrumpe.
- i** Un ciclo que esté funcionando con Child lock (Bloqueo para niños) activado puede detenerse girando el selector de ciclo a la posición "Off" (Apagado). El ciclo interrumpido continuará cuando la máquina se encienda nuevamente.

## Descarga de la ropa al finalizar un ciclo con «Seguro para niños: sí»

- Presione el botón **Start/Pause** y manténgalo accionado (5 segundos). Puede abrir la puerta y quitar la ropa. El ajuste del seguro para niños permanece activo, aún si apaga la máquina. Importante: No permita que la pata niveladora de la lavadora gire cuando esté girando la tuerca de retención; de lo contrario, la altura de la esquina cambiará. Si vuelve a encender el electrodoméstico, el seguro para niños estará activado. La puerta está trabada y no pueden efectuarse modificaciones en los ajustes. Presione el botón Start/Pause (5 segundos) para abrir la puerta.

## Cómo desactivar Child lock (Bloqueo para niños)

- ❑ Gire el selector de programas a la posición de encendido de la máquina.
  - ❑ Presione el botón **Menu** hasta que se visualice «Seguro para niños: sí». El símbolo «↔» centillea.
  - ❑ Presione el botón **Select** hasta que se visualiza «Seguro para niños: no».
- i** Puede conmutar el ajuste del seguro para niños solamente antes de arrancar un programa o bien en el modo «Pause».

## Características especiales

### Ajuste de carga automático

El «ajuste automático de carga» regula el consumo de agua y de energía para cada programa y determina la cantidad de ropa y tipos de tejido. Este proceso está integrado en la máquina y ocurre automáticamente.

El resultado es una reducción en el consumo de agua y energía al lavar cargas pequeñas.

### Detección de carga desequilibrada con el Sistema Antivibración AVS™

El sistema automático de detección de carga desequilibrada AVS™ determina si la carga está correctamente equilibrada o no para el centrifugado. Si la carga no está distribuida de manera pareja, el centrifugado se reiniciará. Si luego de una cantidad de intentos predeterminados la carga no puede equilibrarse, el centrifugado se cancelará, y el ciclo se reanudará.

### Tiempo indicado

Una vez seleccionado el programa, se visualiza el tiempo que demorará el ciclo.

Los siguientes factores afectarán la hora que aparece en la pantalla:

- el tamaño de la carga
- las repeticiones de intento de centrifugado necesarias para obtener una distribución pareja de la carga durante el centrifugado
- ciclos de aclarado adicionales, debidos a la formación excesiva de espuma
- Baja presión de agua
- Selección de opciones adicionales, p. ej., “Allergy Rinse” (Enjuague antialergias)

Debido a las características mencionadas y otras causas, el tiempo del programa en curso varía.

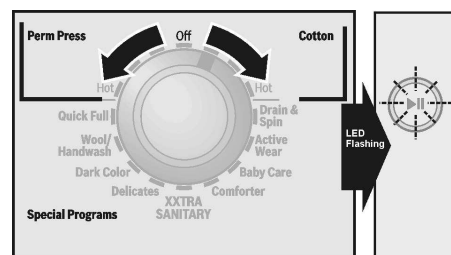
- i** Puede advertir que estos efectos (más o menos tiempo) modifican la hora que aparece en la pantalla cuando se producen durante el ciclo. Si no se han seleccionado opciones y no tienen lugar los efectos de estas acciones, el tiempo indicado es el falta para la finalización del ciclo.

## Durante el lavado

- i** El sistema del tambor de la lavadora puede experimentar un leve temblor o sacudida mientras el tambor acelera hasta las más altas velocidades de centrifugado debido al desequilibrio normal de la ropa

## Selección repetida de un programa

- ❑ Si Child lock (Bloqueo para niños) está activado, desactívelo temporalmente (consulte la página 96.)
- ❑ Gire el selector de programas a **Off**.
- ❑ Gire el selector de programa a la posición del nuevo programa deseado.



El indicador luminoso **Start/Pause** centillea.

- ❑ Si hace falta, modifique los ajustes. Ver página 96.
- ❑ Presione el botón **Start/Pause**. El programa arrancará.

## Agregar una prenda o interrumpir el programa

Usted puede agregar ropa en un instante posterior al comienzo del programa, quitar prendas del programa en curso, o interrumpir a éste en cualquier momento.

- i** Se recomienda no agregar ropa una vez concluida la fase de lavado.

## Sin seguro para niños

- i** Puede agregar o reducir la cantidad de ropa siempre que la luz indicadora Start/Pause (Inicio/Pausa) titile y sea seguro hacerlo.

- ❑ Presione el botón **Start/Pause**. Se indican secuencialmente las leyendas siguientes: «Pausa», «Puede abrirse la puerta».
- ❑ Abra la puerta.
- ❑ Agregue o quite la ropa.
- ❑ Cierre la puerta.
- ❑ Presione el botón Start/Pause (Inicio/Pausa). El ciclo continúa. La luz indicadora se enciende

- i** Cuando la luz indicadora Start/Pause (Inicio/Pausa) está encendida, el ciclo puede interrumpirse; sin embargo, en algunos casos, la puerta no se destraba por motivos de seguridad (nivel de agua, temperatura del agua o velocidad del tambor altos).

- i** Si la velocidad es demasiado alta, la luz indicadora Start/Pause (Inicio/Pausa) se enciende. Se puede agregar ropa en el modo “Pause” (Pausa) cuando el tambor está detenido.

## Seguro para niños activado

- i** Refiérase a la sección de la Cerradura del Niño, (véase en la página 96).

## Cancelación de un programa activo

Si usted quiere parar un programa activo y quitar la ropa:

- ❑ Presione el botón **Start/Pause** y manténgalo accionado (5 segundos) si el seguro para niños está activado.

- ❑ Si la carga está demasiado mojada, coloque el selector de programas en **Drain/Spin (Drenaje/Centrifugado)**.
- i** Si se interrumpe un ciclo a una temperatura alta, la puerta permanecerá trabada hasta que el electrodoméstico se haya enfriado.
- i** Si el ciclo se termina colocando el electrodoméstico en la posición **Off (Apagado)**, es posible que la puerta permanezca trabada hasta que el electrodoméstico se vuelva a encender. Gire el selector de ciclo a cualquier otro ciclo. La puerta se destrabará en, aproximadamente, 5 segundos.

## Después del lavado

La luz del indicador de la Comienzo/Pausa apaga. En el display se indica: «Quite la ropa».

- ❑ Abra la puerta.



- ❑ Gire el selector de programas a **Off**.



- ❑ Cierre los grifos.
- ❑ Quite la ropa.

### AVISO

Controle de vez en cuando, si no hay objetos extraños (como monedas o broches para papel) entre el tambor y la junta de goma. **Para evitar existe peligro de oxidación.**

- i** Después de lavar, deje la puerta de carga abierta durante 24 horas para permitir que el interior de la lavadora se seque.

# Instrucciones de mantenimiento para el usuario

## Cleaning and Care

### ADVERTENCIA

Para reducir el riesgo de incendio, descarga eléctrica o lesiones personales, siempre siga las INSTRUCCIONES DE SEGURIDAD IMPORTANTES (consulte la página 73).

### ADVERTENCIA

¡PARA EVITAR Existe riesgo de descargas eléctricas! Desconecte siempre el electrodoméstico del tomacorriente antes de limpiarlo. Nunca limpie la máquina de lavar con un chorro de agua a presión.

### ADVERTENCIA

¡PARA EVITAR Existe riesgo de explosión! Nunca debe utilizar solventes inflamables para limpiar el electrodoméstico.

## Limpieza de la carcasa y el panel de control del electrodoméstico

Si hace falta:

- ❑ Utilice agua caliente con jabón o un agente de limpieza no abrasivo.
- ❑ Seque con una toalla suave.

## Limpieza del tambor

Si se han formado manchas de óxidos debido a objetos olvidados (como monedas, broches para papel o clavos):

- ❑ Utilice un agente de limpieza sin cloro y siga las instrucciones del fabricante. No debe utilizarse lana de acero.

## Limpieza del tambor

Si se han formado manchas de óxidos debido a objetos olvidados (como monedas, broches para papel o clavos):

- ❑ Utilice un agente de limpieza sin cloro y siga las instrucciones del fabricante. No debe utilizarse lana de acero.

## Limpiar la Junta de culata de Puerta

Después de lavar, enjuga la junta de culata para quitar agua o detergente residuales.

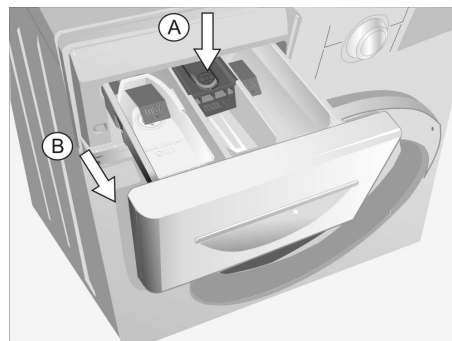
Los asuntos del molde o el olor pueden resultar si riegan o el detergente es permitido quedarse en la junta de culata.

- ❑ Deje que el tambor se airee después de lavar dejando la puerta parcialmente abierta. Esto permitirá que el aire circule y ayude a secar la humedad que quede en el tambor o en el empaque.

## Limpieza de los compartimientos para detergente

Si se han acumulado restos de detergente o aditivos o si el suavizante o blanqueador no se ha escurrido por completo:

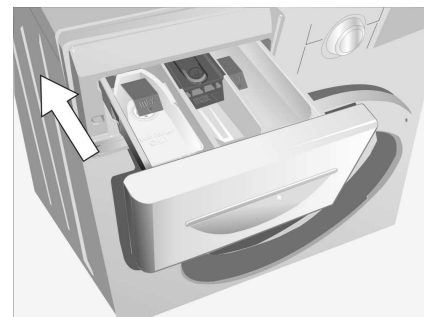
- ❑ Tire para abrir el cajón dispensador de detergente. Presione hacia abajo (A) para soltar la sujeción del cajón. Retire el cajón del electrodoméstico.



- ❑ Retire el accesorio para detergente líquido tirando hacia arriba del cajón del detergente.



- ❑ Limpie el dispensador de detergente colocándolo debajo del agua tibia del grifo. Limpie suavemente cualquier residuo de detergente restante.



- ❑ Reinserte el accesorio para detergente líquido si usa detergente líquido. Deslice el cajón del dispensador de detergente de nuevo en su lugar y ciérralo por completo.

- i** ¡NO opere la lavadora si el cajón para detergente no está en su lugar y completamente cerrado!

## Cómo limpiar el (los) filtro(s) de la llave de agua

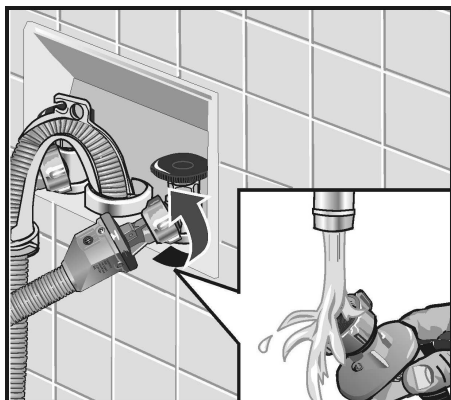
Esto es necesario si entra solo una cantidad reducida de agua o si no entra agua alguna en la máquina de lavar.

### Primero deberá descargar la presión de agua en las mangueras de alimentación:

- ❑ Cierre los grifos de agua.
- ❑ Gire el selector de programas a un programa cualquiera.
- ❑ Presione el botón **Start/Pause** y espere hasta que se visualice la leyenda «¿Grifos de agua cerrados?».
- ❑ Gire el selector de programas a **Off**.

### Limpeza de el(los) filtro(s) en los grifos de agua

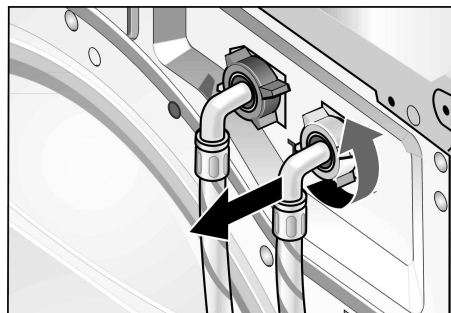
En ambos grifos de agua, tanto fría como caliente:



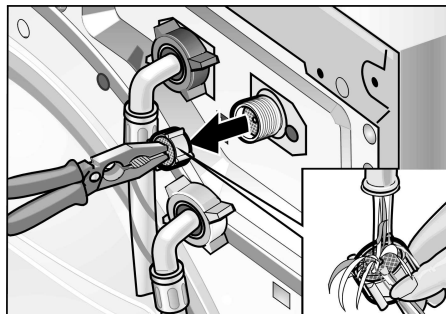
- ❑ Desconecte la manguera del grifo de agua.
- ❑ Limpie el filtro bajo agua corriente.
- ❑ Vuelva a conectar la manguera.

### Limpeza de los filtros en la máquina de lavar

En ambos grifos de agua, tanto fría como caliente:



- ❑ Desconecte la manguera de la parte posterior de la máquina de lavar.



- ❑ Quitar el filtro, tirando de él y aclararlo bajo agua corriente.
- ❑ Coloque el filtro y conecte la manguera.
- ❑ Cierre los grifos de agua y controle que no haya pérdidas. Si pierde agua, controle que los filtros estén correctamente colocados.
- ❑ Cierre los grifos de agua.

### Consejos respecto de la limpieza

Se recomienda hacer circular una pequeña cantidad de blanqueador a través de la lavadora cada tres meses. Sin colocar ropa en la máquina, hágala funcionar como sigue:

- ❑ Vierta una taza de blanqueador en el compartimiento para el detergente del dispensador.
- ❑ Haga funcionar el programa Regular/Cotton Hot.

### Descalcificación de la máquina de lavar

#### AVISO

Los agentes descalcificadores contienen ácidos que atacan las partes interiores de la máquina de lavar y los colores de la ropa.

Con tal de que usted utilice el tipo correcto de detergente, no es necesario para desincrustar la lavadora. Si en el interior de la máquina de lavar aparecen manchas blancas, cal o depósitos minerales, puede usar un agente descalcificador para eliminarlos. Sin embargo, se recomienda seguir las instrucciones del fabricante del descalcificador, si hace falta realizar este procedimiento en el electrodoméstico.



# Localización de fallos menores



## ADVERTENCIA

¡Existe riesgo de descargas eléctricas!  
Eventuales reparaciones debe efectuarlas exclusivamente un técnico autorizado.

Si reparaciones son necesarias, y usted no puede eliminar el defecto usted mismo con ayuda de la mesa abajo, sigue estos pasos:

1. Gire el selector de programas a **Off**.
2. Desconecte la máquina de lavar del tomacorriente.
3. Cierre los grifos de agua
4. Llame al servicio para clientes (consulte la página 104).

¡Los artículos de localización de fallas listaron abajo no puede ser cubierto por servicio de garantía!

Por favor excluya con cuidado cualquiera de estos asuntos antes de llamar para el servicio.

Fallo	Causa posible	Acción a realizar
Se prolonga la duración del programa.	Esto no es un fallo. El sistema de detección de espuma a agregado un ciclo de aclarado adicional para reducir la cantidad de espuma.	Agregue una cantidad más adecuada de detergente.
	Esto no es una falla. El sistema de compensación de desequilibrio está tratando de equilibrar la carga por medio de la repetición del centrifugado.	Cargue siempre el tambor con prendas grandes y pequeñas conjuntamente.
	Esto no es una falla. Es posible que la carga de ropa sea grande y requiera más tiempo.	Permita un tiempo de lavado adicional para cargas más grandes.
No puede abrirse la puerta.	Seguro para niños activado.	Desactive el seguro para niños. Ver página 96
	Fallo en el suministro de energía.	Un programa interrumpido de este modo, continúa cuando el suministro de energía se restablece. Si debe quitarse la ropa durante un fallo en el suministro de energía, llame al servicio para clientes (ver página 104).
	El programa está en curso y/o la puerta está trabada debido a razones de seguridad.	Espere que finalice el programa; ver página 95.
	El tomacorriente está suelto o no conectado. El selector de programas fue girado a <b>Off</b> antes que el programa haya concluido.	Elimine la causa. Seleccione el programa.
No puede abrirse la puerta aún cuando se ha apagado y vuelto a encender el electrodoméstico.	Por motivos de seguridad, la puerta se ha trabado a causa de que el nivel de agua, la temperatura o la velocidad del tambor son altos.	Ver «Agregar ropa o interrumpir el programa» en página 97.
El programa sigue su curso, aún cuando el electrodoméstico se ha apagado y vuelto a encender.	Seguro para niños activado.	Desactive el seguro para niños. Ver página 96.
El electrodoméstico no funciona. Se indica «Seguro para niños activado» en el display.	Seguro para niños activado.	Desactive el seguro para niños. Ver página 96.
No se encienden las luces de control.	Se ha quemado un fusible.	Cambie el fusible defectuoso.
	Fallo en el suministro de energía.	Llame el servicio a clientes si vuelve a ocurrir el fallo. Un programa interrumpido de este modo, continúa cuando el suministro de energía se restablece. Si debe quitarse la ropa durante un fallo en el suministro de energía, llame al servicio para clientes (ver página 104).
El programa no arranca. El indicador luminoso <b>Start/Pause</b> centellea.	No está presionado el botón correspondiente.	Presione el botón <b>Start/Pause</b> .

Fallo	Causa posible	Acción a realizar
El programa no arranca. Se visualiza «¡Controle la puerta!» en el display.	La puerta no está correctamente cerrada.	Controle si hay prendas atrapadas en la puerta. Cierre la puerta (debe escucharse un clic). El programa continúa.
El programa no arranca. Se visualiza «Retraso real de tiempo» en el display.	Hora de finalización seleccionada y activada.	No es un fallo. El programa arranca automáticamente.
No puede ajustarse la hora.	Ya ha arrancado un programa. En estas condiciones no puede ajustarse la hora.	Espere a que concluya este programa.
Set clock «Ajustar la hora»: Este texto permanece en el display aún habiendo accionado el botón <b>Menu</b> .	El ajuste ha cambiado de horas a minutos y ambos tienen el mismo valor numérico.	No es un fallo.
No se indica hora alguna.	No fue ajustada la hora.	Ajuste la hora. Ver página 88.
No puede seleccionarse la hora de finalización.	No fue ajustada la hora. Ya ha arrancado un programa. En estas condiciones no puede seleccionarse la hora de finalización.	Ajuste la hora. Ver página 88. Seleccione la hora de finalización, antes de hacer arrancar el programa. Ver página 95.
No puede seleccionarse la velocidad de centrifugado.	Todavía está en progreso el centrifugado. Durante este proceso no puede modificarse la velocidad de centrifugado.	Seleccione la velocidad antes del centrifugado.
No puede seleccionarse el seguro para niños.	Ya ha arrancado el programa.	Puede seleccionarse el modo de seguro para niños en el modo de pausa.
Hay residuos de detergente en el compartimiento correspondiente.	El detergente está húmedo o grumoso.	Limpie y seque el compartimiento para detergente. Ver página 99. Use la medida de la botella de detergente líquido para medirlo.
No ingresa agua a la máquina o no se arrastra el detergente. «¡Revise la llave de agua!» indicada en el campo de la pantalla.	El grifo de agua está cerrado. Las mangueras de alimentación están retorcidas o perforadas. Los filtros en la alimentación de agua están obstruidos.	Abra los grifos de agua. El programa continúa. Elimine la causa. Limpie los filtros de acceso del agua. Ver página 100.
	<b>La función de seguridad de la manguera AQUASTOP® está activada.</b> <b>AQUASTOP® está activada</b>	Revise el indicador de seguridad (ver página 83). Si se visualiza una marca roja, reemplace la manguera. Cierre la llave de agua e investigue si hay pérdidas.
	La presión de agua es demasiado baja.	Elimine la causa.
El agua no penetra en la máquina de lavar o el detergente no es arrastrado por el agua al interior de la máquina. Se visualiza «¿Grifo de agua cerrado?» en el display.	Esto no es un fallo. El nivel de agua está por debajo del nivel visible del tambor.	
No se ve agua en el tambor.	Mucha espuma o bomba bloqueada.	Utilice menos detergente en cargas posteriores. Detergentes especialmente desarrollados para su lavadora de alto rendimiento producen menos espuma y presentan las siglas "HE" en el embalaje. Limpie el tubo de descarga y/o la manguera correspondiente.
La solución de lavado no fue correctamente evacuada. Se visualiza «¿Mucha espuma o bomba bloqueada.?» en el display.	La rosca de las mangueras de alimentación no está ajustada. Hay una pérdida en las mangueras.	Ajuste las roscas. Cambie la manguera de alimentación.
Sale agua de la parte inferior de la máquina.	Puede ocurrir que la bomba no pueda evacuar totalmente la espuma si se emplea jabón en exceso o jabones que no son del tipo HE.	Mezcle 1 cucharada de suavizante de tejidos con 1/2 pinta (1/4 litro) de agua y viértala dentro del compartimiento del detergente (no haga esto con tejidos para el aire libre (impermeables)) . Use menos detergente en cargas de lavado futuras. Los detergentes designados específicamente para su lavadora de alta eficiencia producen menos espuma e incluyen las letras "HE" en el envase (busque el símbolo "HE").
Sale espuma por el compartimiento para el detergente.		

Fallo	Causa posible	Acción a realizar
Centrifugados repetidos.	Esto no es una falla. El sistema de compensación de desequilibrio está tratando de equilibrar la carga por medio de la repetición del centrifugado.	Cargue siempre el tambor con varias prendas grandes y pequeñas juntas.
La ropa no se centrifuga. (La ropa sucia todavía es mojada.)	Cargue el tamaño demasiado pequeño. Las prendas grandes se han enredado y no pueden distribuirse en forma pareja en el tambor. Por motivos de seguridad, se desactivó automáticamente el ciclo de centrifugado de alta velocidad. Espuma excesiva debido a demasiado detergente, se utilizó detergente que no es de alta eficiencia (high efficiency, HE)	Agregue más ropa sucia. Cargue siempre el tambor con varias prendas grandes y pequeñas juntas. Mezcle 1 cucharada de suavizante de tejidos con 1 pinta (½ litro) de agua y viértala en la cámara principal del dispensador de detergente; reduzca la cantidad de detergente usado; Use detergente HE. (busque el símbolo "HE").
Resultados de lavado no satisfactorios.	El grado de suciedad es mayor que el estimado. No hay suficiente detergente.	Seleccione el programa adecuado o <b>Stain removal (Remoción de manchas) es una opción adicional.</b> Agregue detergente según las especificaciones del fabricante del mismo.
Hay residuos de detergente en la ropa.	Algunos detergente libre de fosfatos contienen sustancias no solubles en agua, que aparecen como pequeñas manchas en la ropa.	Cepille las manchas, una vez que la ropa está seca.
Hay residuos grises sobre la ropa.	Acumulación de suciedad sobre ungüentos, grasas o aceites.	Agregue la máxima cantidad de detergente y seleccione la mayor temperatura permitida.
El sistema vibra u oscila mientras pasa de velocidades de centrifugado menores a superiores.	El sistema de montaje del tambor puede desplazarse durante el proceso de aceleración. Esto no representa un desperfecto.	Mezcle piezas de ropa pequeñas con otras mas grandes a fin de minimizar este efecto.

## Indicaciones de fallos en el display

Textos que aparecen en el display	Causa posible	Acción a realizar
«¿Grifo de agua cerrado?»	El grifo de agua está cerrado. La manguera de alimentación está doblada o retorcida. El filtro en la manguera de alimentación está obstruido. La presión de agua es demasiado baja. <b>La función de seguridad de la manguera Aquastop™ está activada.</b>	Abra los grifos de agua. El programa continúa. Elimine la causa. Limpie los filtros de acceso del agua. Ver página 100. Elimine la causa.
«¿Mucha epuma o bomba bloqueada?»	Mucha epuma o bomba bloqueada.	Utilice menos detergente en cargas posteriores. Detergentes especialmente desarrollados para su lavadora de alto rendimiento producen menos espuma y presentan las siglas "HE" en el embalaje. Limpie el tubo de descarga y/o la manguera correspondiente.
«¡Controle la puerta!»	La puerta no está correctamente cerrada.	Controle si hay prendas atrapadas en la puerta. Cierre la puerta.
"Aquastop™ está activada"	<b>Aquastop™</b> está activada	Cierre la llave de agua e investigue la pérdida.
Se detiene el programa de lavado. "Aquastop activated" (Aquastop activada) aparece indicado en el campo de la pantalla.	<b>Aquastop™</b> está activada	Ubique y solucione la pérdida. Revise todas las conexiones. Reprograme la manguera <b>Aquastop™</b>

Si no se puede solucionar el fallo con la ayuda de la tabla anterior: apague el electrodoméstico, espere 5 segundos, vuelva a encender el electrodoméstico, seleccione el programa y póngalo en marcha.  
Si el problema sigue, llame el servicio a clientes. Ver página 104.

# Servicio a clientes

La máquina de lavar no requiere de otros cuidados especiales, aparte de aquellos especificados más arriba. Si usted tiene algún problema con la máquina de lavar, rogamos consultar la página 101 antes de llamar el servicio a clientes.

Si se hace necesario un servicio, póngase en contacto con su vendedor, instalador u otro centro de servicios autorizado. No intente reparar el electrodoméstico usted mismo. Cualquier trabajo realizado por personal no autorizado, hará caducar la garantía.

Si tiene problemas y no está conforma con el servicio recibido:

- rogamos, como primera medida, ponerse en contacto con su instalador o el servicio autorizado de su área, explicando a que se debe su disconformidad.
- Si después del trabajo realizado por su instalador o técnico de servicio el problema no ha sido solucionado a su satisfacción, háganoslo saber, o bien escribiendo a:

BSH Home Appliances  
5551 Mc Fadden Ave.  
Huntington Beach, CA 92649

O bien llámenos a:  
1-800-944-2904

Tanto en caso de escribir o de llamar, infórmenos respecto del:

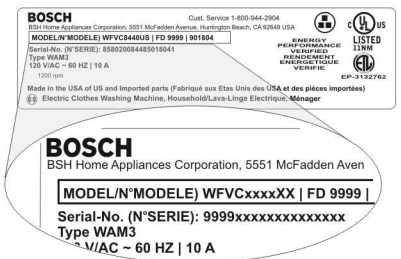
- Número de modelo
- Número de serie
- Fecha de compra original
- Fecha en la cual ha ocurrido el problema
- Explicación del problema

En caso que nos escriba, rogamos incluir un número telefónico diurno y una copia de la factura de compra.

Usted encontrará el número de modelo y de serie sobre la chapa de características visible cuando la puerta está abierta.

La imagen a continuación muestra la ubicación aproximada de la placa de valores nominales. El número de modelo tiene un rectángulo alrededor. El número de serie está ubicado debajo del número de modelo.

Un ejemplo es mostrado abajo.



El fabricante se reserva el derecho de realizar modificaciones al producto o al manual sin notificación.

# DECLARACIÓN DE GARANTÍA LIMITADA DEL PRODUCTO

Lavadora Bosch Vision™

**Cobertura de esta garantía y a quiénes se aplica:** La garantía limitada otorgada por BSH Home Appliances Corporation (Bosch) en esta Declaración de Garantía Limitada del Producto se aplica únicamente a la lavadora de ropa ("Producto") Bosch Vision™ vendida a usted, el primer comprador usuario, pero estrictamente condicionada a que el producto haya sido comprado: (1) para uso doméstico (no comercial) normal y haya sido utilizado en todo momento únicamente para fines domésticos normales (cualquier uso o programación comercial del producto anula automáticamente la garantía); (2) nuevo en una tienda minorista (que no sea un producto de exhibición, ni un producto vendido "en las condiciones en que se encuentra", ni un modelo devuelto anteriormente) comprado directamente por el consumidor final, y no esté destinado para reventa ni uso comercial; y (3) dentro de los Estados Unidos o Canadá, y permanezca en todo momento dentro del país de compra original. Las garantías incluidas en el presente se aplican únicamente al primer comprador del Producto y no son transferibles. Bosch se reserva el derecho de solicitar un comprobante de compra en el momento en que se presente cualquier reclamación de la garantía a fin de confirmar que el producto esté dentro del alcance de la presente garantía limitada del producto. La garantía se anula automáticamente si el Producto fue un modelo de exhibición, un producto vendido "en las condiciones en las que se encuentra", forzado, un modelo dañado o "con ralladuras y abolladuras", o un modelo devuelto anteriormente, un obsequio, donación caritativa o premio de un concurso.

- Asegúrese de devolver su tarjeta de registro; si bien no es necesario para hacer efectiva la cobertura de la garantía, es la mejor manera para que Bosch le notifique en el caso poco probable de que se emita un aviso de seguridad o se retire del mercado un producto.

**Duración de la garantía:** Bosch garantiza que el Producto no tiene defectos en los materiales ni en la mano de obra durante un período de trescientos sesenta y cinco (365) días a partir de la fecha de compra. El período precedente comienza a regir a partir de la fecha de compra y no se interrumpirá, dejará sin efecto, extenderá ni suspenderá por ningún motivo.

**Reparación/reemplazo como único recurso:** Durante el período de esta garantía, Bosch o uno de sus proveedores de servicio técnico autorizados reparará su Producto sin cargo para usted (con sujeción a determinadas limitaciones especificadas en el presente) si se prueba que su Producto ha sido fabricado con un defecto en los materiales o en la mano de obra. Si se ha intentado de manera razonable reparar el Producto sin éxito, Bosch reemplazará su Producto (es posible que usted tenga disponibles modelos mejorados, a entera discreción de Bosch, por un cargo adicional). Todas las piezas y los componentes extraídos serán propiedad de Bosch, a su entera discreción. Todas las piezas reemplazadas y/o reparadas se considerarán como la pieza original a los fines de esta garantía, y esta garantía no se extenderá con respecto a dichas piezas. En virtud del presente, la única y exclusiva responsabilidad y obligación de Bosch es únicamente reparar el Producto defectuoso de fábrica, a través de un proveedor de servicio técnico autorizado por Bosch durante el horario normal de oficina. Por cuestiones de seguridad y daños materiales, Bosch recomienda categóricamente que no intente reparar el Producto usted mismo ni use un centro de servicio técnico no autorizado; Bosch no tendrá responsabilidad ni obligación alguna por las reparaciones o trabajos realizados por un centro de servicio técnico no autorizado. Si usted prefiere que una persona que no es un proveedor de este servicio técnico autorizado trabaje en su Producto, ESTA GARANTÍA SE ANULARÁ AUTOMÁTICAMENTE. Los proveedores de servicio técnico autorizados son aquellas personas o compañías que han sido especialmente capacitadas para manejar los productos Bosch y que tienen, según el criterio de Bosch, una reputación superior de servicio al cliente y capacidad técnica (debe tener en cuenta que son entidades independientes y *no* son agentes, socios, afiliados ni representantes de Bosch). Sin perjuicio de lo que antecede, Bosch no tendrá responsabilidad ni obligación alguna por el Producto que se encuentre en un área remota (a más de 100 millas de un proveedor de servicio técnico autorizado) o en un lugar, área circundante o entorno que no sea accesible por medios razonables o que sea peligroso, hostil o arriesgado; en cualquier caso, a su solicitud, Bosch de todas maneras pagará por la mano de obra y las piezas, y enviará las piezas al proveedor de servicio técnico autorizado más cercano, pero usted seguirá siendo totalmente responsable por el tiempo de viaje y demás cargos especiales de la compañía de servicio técnico, suponiendo que acepte hacer la visita de servicio técnico.

## Garantía limitada extendida:

DURACIÓN DE LA GARANTÍA	ALCANCE DE LA GARANTÍA
2 años de garantía limitada a partir de la fecha de compra	Bosch proveerá repuestos, sin cargo, de los componentes que se encuentren defectuosos en condiciones de uso doméstico normal durante los dos primeros años a partir de la fecha de compra, incluidos los costos normales (no acelerados) de envío y sin incluir los gastos por mano de obra.

2 años de garantía limitada para sistemas electrónicos a partir de la fecha de compra	Bosch reparará o reemplazará, sin cargo, cualquier microprocesador o tablero de circuitos impreso que se encuentre defectuoso en condiciones de uso doméstico normal durante los dos primeros años a partir de la fecha de compra, sin incluir los cargos por mano de obra.
2 años de garantía limitada para el motor a partir de la fecha de compra	Bosch reparará o reemplazará, sin cargo, cualquier motor o componente de un motor que se encuentre defectuoso en condiciones de uso doméstico normal durante los dos primeros años a partir de la fecha de compra, sin incluir los cargos por mano de obra.

**Producto fuera de garantía:** Bosch no tiene obligación alguna, en virtud de la ley o por otro motivo, de otorgarle ninguna concesión, incluidos reparaciones, prorrates o reemplazo del Producto, con posterioridad al vencimiento de la garantía.

**Exclusiones de la garantía:** La cobertura de garantía descrita en el presente excluye todos los defectos o daños que no fueron provocados directamente por Bosch, incluidos, entre otros, alguno de los siguientes: (1) uso del Producto de maneras distintas del uso normal, habitual y previsto (incluidos, entre otros, cualquier forma de uso comercial, uso o almacenamiento en exteriores de un producto diseñado para interiores, uso del Producto en aeronaves o embarcaciones); (2) conducta indebida, negligencia, uso indebido, abuso, accidentes, descuido, operación inadecuada, omisión de mantener, instalación inadecuada o negligente, adulteración, omisión de seguir las instrucciones de operación, manipulación inadecuada, servicio técnico no autorizado (incluidos “arreglos” o exploración de los mecanismos internos del electrodoméstico realizados por uno mismo) por parte de cualquier persona; (3) ajuste, alteración o modificación de cualquier tipo; (4) incumplimiento de los códigos, reglamentaciones o leyes de electricidad, plomería y/o construcción locales, municipales o de condado, incluida la omisión de instalar el producto cumpliendo estrictamente con los códigos y reglamentaciones locales de construcción y protección contra incendios; (5) desgaste habitual, derrames de alimentos, líquidos, acumulaciones de grasa u otras sustancias que se acumulen sobre, dentro o alrededor del Producto; y (6) cualquier fuerza y factor externo, elemental y/o ambiental, incluidos, entre otros, lluvia, viento, arena, inundaciones, incendios, aludes de lodo, temperaturas bajas extremas, humedad excesiva o exposición prolongada a la humedad, rayos, sobrecargas eléctricas, fallas estructurales alrededor del electrodoméstico y caso fortuito. En ningún caso, Bosch tendrá responsabilidad ni obligación alguna por los daños ocasionados a los bienes circundantes, incluidos los gabinetes, pisos, techos y demás estructuras u objetos que se encuentren alrededor del producto. También se excluyen de esta garantía las rayas, hendiduras, abolladuras menores y daños estéticos en superficies externas y piezas expuestas; productos en los cuales los números de serie hayan sido alterados, modificados o eliminados; visitas del servicio técnico para enseñarle a usar el Producto o visitas en las que se determine que no hay ningún problema con el Producto; corrección de los problemas de instalación (usted es el único responsable de cualquier estructura y soporte del Producto, incluidas las instalaciones de electricidad y plomería o demás instalaciones de conexión, de la correcta instalación en bases/pisos y de cualquier alteración, incluidos, entre otros, gabinetes, paredes, pisos, repisas, etc.); y el restablecimiento de disyuntores o fusibles. EN LA MEDIDA PERMITIDA POR LA LEY, ESTA GARANTÍA ESTABLECE SUS RECURSOS EXCLUSIVOS CON RESPECTO AL PRODUCTO, INDEPENDIENTEMENTE DE QUE LA RECLAMACIÓN SEA CONTRACTUAL O EXTRA CONTRACTUAL (INCLUIDA LA RESPONSABILIDAD OBJETIVA O LA NEGLIGENCIA), O DE CUALQUIER OTRO MODO. ESTA GARANTÍA REEMPLAZA TODAS LAS DEMÁS GARANTÍAS EXPRESAS O IMPLÍCITAS. LAS GARANTÍAS IMPLÍCITAS POR LEY, YA SEA DE COMERCIABILIDAD O APTITUD PARA UN FIN ESPECÍFICO, O DE CUALQUIER OTRO TIPO, TENDRÁN VIGENCIA ÚNICAMENTE POR EL PERÍODO DE VIGENCIA DE LA PRESENTE GARANTÍA LIMITADA EXPRESA. EN NINGÚN CASO, EL FABRICANTE SERÁ RESPONSABLE POR LOS DAÑOS CONSECUENTES, ESPECIALES, INCIDENTALES, INDIRECTOS, POR “PÉRDIDAS COMERCIALES” Y/O DAÑOS PUNITIVOS, PÉRDIDAS O GASTOS, INCLUIDOS, ENTRE OTROS, TIEMPO FUERA DEL TRABAJO, HOTELES Y/O COMIDAS EN RESTAURANTES, GASTOS DE REMODELACIÓN QUE SUPEREN LOS DAÑOS DIRECTOS, QUE DEFINITIVAMENTE HAYAN SIDO CAUSADOS DE MANERA EXCLUSIVA POR BOSCH O DE OTRO MODO. ALGUNOS ESTADOS NO PERMITEN LA EXCLUSIÓN O LIMITACIÓN DE DAÑOS INCIDENTALES O CONSECUENTES, Y ALGUNOS ESTADOS NO PERMITEN LIMITACIONES CON RESPECTO AL PLAZO DE VIGENCIA DE UNA GARANTÍA IMPLÍCITA; POR LO TANTO, ES POSIBLE QUE LAS LIMITACIONES PRECEDENTES NO SE APLIQUEN. ESTA GARANTÍA LE OTORGA DERECHOS LEGALES ESPECÍFICOS, Y TAMBIÉN PUEDEN CORRESPONDERLE OTROS DERECHOS QUE PUEDEN VARIAR SEGÚN EL ESTADO. Ningún intento de alterar, modificar o enmendar la presente garantía entrará en vigencia, a menos que fuera autorizado por escrito por un ejecutivo de BSH.

**Cómo obtener el servicio técnico de la garantía:** Para obtener el servicio técnico de la garantía de su Producto, debe comunicarse con el centro de servicio autorizado de Bosch más cercano.

**BSH Home Appliances Corporation** – 5551 McFadden Avenue, Huntington Beach, CA 92649 / 800-944-2904

# Selección del ciclo y la duración de lavado en minutos - Lavadoras Vision de la Serie 800 **BOSCH**

Use este cuadro para ayudarse a elegir el ciclo de lavado más adecuado a la carga de ropa y aplique las opciones deseadas.

1. ¿Qué tipo de ropa se lavará? (algodón/lino, sintético/mezcla, delicado)
2. ¿La ropa es de un color resistente? (elija ciclos de lavado CALIENTES únicamente para ropa de colores resistentes)
3. ¿Cuán grande es el tamaño de la carga? (carga completa, 2/3 carga, 1/2 carga o 1/3 carga)
4. ¿Cuán sucia está la carga? (agregue opciones para aumentar el tiempo de lavado para la ropa más sucia)

Clase de tejidos	Color fast?	Nombre del ciclo	Temperatura	Maxima carga admisible	Menú LCD	Tiempo del ciclo básico	Botón	Marche eliminación	Remojo previo	Enjuague antiatergias	Botón	Menú LCD	Sin centrifugado final	
														Enciende
algodón o lino	yes	Regular/Cotton Hot	120°F / 49° C											
	no	Regular/Cotton Warm	90°F / 32° C	full load	-13	60	+30	+30	+30	+17	+17	+30	+17	-10
		Regular/Cotton Cold	60°F / 15° C				+20	+28	+30	+17	n/a	n/a	n/a	
tejido sintético o mezcla	yes	Permanent Press Hot	120°F / 49° C											
	no	Permanent Press Warm	90°F / 32° C	1/2 load	-10	56	+25	+30	+30	+17	+17	+30	+17	-10
		Permanent Press Cold	60°F / 15° C				+25	+30	+30	+17	n/a	n/a	n/a	
algodón o lino	no	Quick full	86°F / 30° C	full load	n/a	45	n/a	+30	+30	+12	+12	+30	+12	-8
	no	Comforter	86°F / 30° C	full load	-10	65	+30	+30	+30	+17	+17	+30	+17	-10
		Active Wear™	86°F / 30° C	2/3 load		-20	50	+22	+30	+30	+17	+17	+30	+17
tejido muy delicado, de cuidado fácil	no	Baby Care™	155°F / 68° C	1/2 load	n/a	165	+20	+30	+30			+30	n/a	
	yes	XxtraSanitary®	170°F / 77° C	2/3 load	n/a	140	+40	+30	+30	+17	+17	+30	+17	-10
		Wool/Handwash	75°F / 24° C	1/3 load		-5	30	+20	+30	+30	+17	+17	+30	+17
tejido delicado, de cuidado fácil	no	Delicates	90°F / 32° C	1/3 load	-10	40	+20	+30	+30	+17	+17	+30	+17	-8
	no	Dark color	60°F / 45° C	1/3 load	-10	57	+20	+30	+30	+17	+17	+30	+17	-10
<b>Programas adicionales</b>		Drain & Spin	Drena el agua del tambor y pone en funcionamiento un ciclo de centrifugado			9	n/a	n/a	n/a	+6	+6	n/a	+6	-6

los valores que se muestran en el cuadro anterior están expresados en minutos, a menos que se indique lo contrario Las descripciones de los ciclos y las opciones se incluyen en las Instrucciones de Operación incluidas en este manual.

# Wash Cycle Selection and Duration in Minutes - 800 Series BOSCH

Use this table to help choose the wash cycle best suited to the laundry load and to apply desired options.

1. What type of laundry is to be washed? (cotton/linen, synthetic/blends, delicates)
2. Is the laundry color fast? (choose HOT wash cycles for colorfast laundry only)
3. How large is the load size? (full load, 2/3 load, 1/2 load or 1/3 load)
4. How soiled is the load? (add options to increase wash time for laundry that is more soiled)

Actual program duration times may vary from the values shown depending on water supply, type and amount of detergent used, and other factors.

Options selected will increase (+) or decrease (-) total wash cycle time. Options can be accessed using the LCD menu or panel option buttons as shown.

Type of Laundry	Color fast?	Cycle Name	Water Temp.	Max. Load Size	DEGREE OF SOILING					
					Light	Medium	Heavy	Very Heavy	Very Soiled	Extremely Soiled
cotton or linen	yes	Regular/Cotton Hot	120°F / 49° C	full load	-13	60	+30	+17	+17	-10
	no	Regular/Cotton Warm	90°F / 32° C		+20	+30	+17	+17	n/a	-10
		Regular/Cotton Cold	60°F / 15° C							
synthetics or blends	yes	Permanent Press Hot	120°F / 49° C	1/2 load	-10	56	+28	+17	+17	-10
	no	Permanent Press Warm	90°F / 32° C		+25	+30	+17	+17	n/a	-10
		Permanent Press Cold	60°F / 15° C							
cotton or linen	no	Quick full	86°F / 30° C	full load	n/a	45	n/a	+12	n/a	-8
	no	Comforter	86°F / 30° C		+30	-10	+30	+17	+17	+19
		Active Wear™	86°F / 30° C							
very delicate easy care	no	Baby Care™	155°F / 68° C	1/2 load	n/a	165	+20	+17	n/a	-10
	no	XxtraSanitary®	170°F / 77° C		+40	n/a	+30	+17	n/a	-10
		Wool/Handwash	75°F / 24° C							
delicate easy care	no	Delicates	90°F / 32° C	1/3 load	-10	40	+20	+17	n/a	-8
	no	Dark color	60°F / 45° C		+20	-10	+30	+17	n/a	-10
<b>Additional Programs</b>		Drain & Spin	Drains water from drum and runs spin cycle. May be used for spinning hand-washed laundry.		9	n/a	+6	n/a	n/a	-6

Values shown above are estimated in minutes unless otherwise noted.

Descriptions of cycles and options are included in the Operating Instructions inside this manual