

Bosch Vision™ 300/500/800 Series Gas Clothes Dryers



BOSCH

Invented for life



en **Dryer: Operating, Care and Installation Instructions**
fr **Seche-linge: Notice d'utilisation, de maintenance et d'installation**
es **Secador: Operacion, cuidado y instrucciones para la instalaci3n**

Features and Benefits of Your New Dryer

ActiveDry™ Technology

Moisture and temperature levels are constantly monitored to ensure precise drying results for a wide array of fabrics. Everything from T-shirts to baby blankets comes out warm and soft every time.

Constant monitoring ensures the lowest energy usage possible, cutting consumption by up to 50% per year.

EcoSmart™

EcoSmart™ technology utilizes a network of sensors in the Bosch Vision dryer for cycles that conserve the most energy possible while maintaining superior drying performance. By adjusting to how wet the load is and regulating temperature to never over heat, it is no wonder that Bosch offers some of the most efficient dryers in the market.

EcoAction™

This option gives you the ability to reduce energy usage by up to 10%. By selecting this option, temperature is reduced to save resources while the cycle time is slightly extended to ensure proper drying.

DynamicAir™

The Bosch Vision DynamicAir™ system features gentle heat and high air volume in the most gentle dryer drum. Only Bosch Vision can offer a one-piece dryer drum with a backshield full of holes to properly distribute air over your laundry, giving you the most gentle and effective drying possible.

Wrinkle Block®

Sometimes you can't get your laundry right when the buzzer rings. Wrinkle Block® gives you one hour of intermittent tumbling, preventing creases from setting in and, ultimately, reducing ironing time.

Stainless Steel Drum

Bosch dryers feature smooth, stainless steel drums for the gentlest of care.

160° Door Hinge

The dryer door opens up to 160° – making it easier to load and unload laundry. Washer and dryer doors also open in opposite directions, so when set up side by side, transferring your damp laundry to the dryer becomes an effortless task.

Quiet Performance

Bosch laundry appliances use brushless motors, suspended pump systems, and special sound-deadening material to keep them exceptionally quiet while in operation. Quiet operation means they can be installed virtually anywhere in the home without causing a disturbance.

Dryer Rack

The dryer rack protects the most delicate fabrics or a pair of tennis shoes, allowing either to dry without tumbling. It is standard on the Premium model and is available as an accessory on all models.

Lint Filter

The dryer lint filter is conveniently located in the appliance housing below the dryer door for easy access. The lint filter's fine mesh filter captures even the smallest lint particles. And to increase drying efficiency, there's also a lint filter LED on the control panel that illuminates should the filter need immediate cleaning.

Steam Cycles

Steam Cycles offered on select models utilize added moisture to help relax fabric, ease wrinkling, and freshen cotton blend laundry items to reduce odor.



WARNING: For your safety the information in this manual must be followed to minimize the risk of fire or explosion or to prevent property damage, personal injury or death.

- Do not store or use gasoline or other flammable vapors and liquids in the vicinity of this or any other appliance.
- **WHAT TO DO IF YOU SMELL GAS**
 - Do not try to light any appliance.
 - Do not touch any electrical switch. Do not use any phone in your building.
 - Clear the room, building or area of all occupants.
 - Immediately call your gas supplier from a neighbor's phone. Follow the gas supplier's instructions.
 - If you cannot reach your gas supplier, call the fire department.
- Installation and service must be performed by a qualified installer, service agency or the gas supplier.

Table of Contents

Definitions	4
IMPORTANT SAFETY INSTRUCTIONS	5
GROUNDING INSTRUCTIONS	6
INSTALLATION INSTRUCTIONS	7
Introduction	7
Information concerning waste disposal	7
Before installing the dryer	7
Checklist for Installation	8
Installation Location	8
Dryer Dimensions	8
Door Hinge Reversal	9
Installation Types	11
Electrical connection	14
Gas connection	15
Exhaust air connection	16
Accessories	18
Preparing to transport the dryer – step by step	19
OPERATING INSTRUCTIONS	20
Panel	20
Additional Safety information	21
Protection of the environment	21
Laundry	21
Identification of fabrics	21
Drying tips	21
Cycle Selection	22
Options (Delicates, ECO Action)	22
LED indicators of cycle sequence	23
Cycle Selection Table	24
Automatic cycles	24
Steam cycles	24
Special cycles	24
Time cycles	24
Additional Options on LCD Menu	24
Operation	26
Using the dryer	26
Cleaning the lint filter	27
Using the dryer rack (Option)	28
Cleaning and care	29
Cleaning the dryer	29
Cleaning the exhaust duct	29
Cleaning the moisture sensor	29
Cleaning the lint filter housing	29
Cleaning the Steam nozzle	29
Change the light bulb	29
Troubleshooting	30
SERVICE and REPAIR	32
STATEMENT OF LIMITED PRODUCT WARRANTY	33

Congratulations!

Your new clothes dryer is a modern, high quality domestic appliance.

This dryer complies with: ANSI Z21.5.1/ CGA 7.1-2002 Clothes Dryers Vol. I.

A distinctive feature of your dryer is low energy consumption.

An easy operation philosophy, a variety of customized drying programs, and a solid touch and feel make this appliance a user-friendly assistant in your household.

Bosch dryers offer the following standard features:

- High–efficiency precision drying system
- Large stainless steel drum with a capacity of up to 17.6 lbs (8 kg)
- Large port hole (16"/406 mm), and door interlock with automatic drum stop function
- Exceptionally quiet operation
- Sensor–controlled auto cycles
- Timed cycles
300 and 500 Series Dryer: 20, 40 and 60 minute cycles
800 Series Dryer: 10 to 150 minutes (in increments of 10 minutes)
- Wrinkle Block® feature tumbles clothes periodically for up to one hour following drying to help decrease wrinkling

Each dryer which leaves our factory has undergone a thorough performance test and is in full working condition. If you have any questions, especially concerning installation of the dryer – our customer service team will be happy to assist you.

Further information and a selection of our products can be found on our web site:
www.boschappliances.com

Information

Please read and follow these operating and installation instructions and all other information enclosed with the dryer.

Models Covered by this User Manual

Display types

The instructions in this manual refer to dryers with two different display types.



300 and 500 Series dryers have an LED display



800 Series dryers have an LCD display

Installation, operating and maintenance instructions are the same for dryers with either display type except where noted. LCD dryer menu operation and related options are described in the 800 Series Additional Options section of this manual.

Steam Dryers

Steam Cycles are available on 500 and 800 Series Dryers with the Steam logo on the panel.



Definitions



WARNING

WARNING – This indicates that death or serious injuries may occur as a result of non-observance of this warning.



CAUTION

CAUTION– This indicates that minor or moderate injuries may occur as a result of non-observance of this warning.

NOTICE

NOTICE – This indicates that damage to the appliance or property may occur as a result of non-observance of this warning.



This symbol is used to draw the user's attention to important information.

⚠ IMPORTANT SAFETY INSTRUCTIONS

⚠ WARNING

The warnings and safety instructions in this manual can not cover all possible risks, conditions and situations that may arise. Use common sense and exercise caution when installing, maintaining and operating this or any other appliance.

⚠ WARNING

To reduce the risk of fire, electric shock, serious injury or death to persons and /or damage when using your dryer, follow basic precautions, including the following.

1. Read all instructions before using the dryer. Bosch dryers are provided with Operating, Care and Installation Instructions.

2. Do not dry articles that have been previously cleaned, washed, soaked or spotted with gasoline, dry cleaning solvents, or other flammable or explosive substances as they give off vapors that could **ignite** or explode.

To reduce the risk of **fire**, clothes, cleaning rags, mop heads and the like which have traces of any flammable substance, such as vegetable oil, cooking oil, petroleum-based oils or distillates, waxes, fats, etc., must not be placed in the dryer. These items may contain some flammable substance(s), even after washing, which may smoke or catch **fire** by themselves.

Do not place items exposed to cooking oils in your dryer. Items contaminated with cooking oils may contribute to a chemical reaction that could cause a laundry load to catch **fire**.

3. The dryer must only be used for its intended purpose.

4. When children become old enough to operate the appliance, it is the responsibility of the parents or legal guardians to ensure that they are instructed in safe practices by qualified persons.

5. Do not allow children to play on or in the appliance at any time; severe **injury** or **death** could result. Children should be kept a safe distance away from appliances at all times. Children should only be permitted within an appliance's vicinity if under close, constant adult supervision.
6. Do not allow children's toys, or other items that might encourage children to climb on the dryer, to be stored on or in the dryer or on shelves or in cabinets or other storage areas adjacent to the dryer.
7. Do not sit or stand on the top of the dryer.
8. Do not allow anyone to climb, lean or hang on any part of the dryer including any protruding components such as the appliance door or a pullout shelf.
9. To reduce the risk of poisoning or chemical burns, keep all cleaning products out of the reach of children.
10. Store all laundry chemicals and aids in a cool dry place according to the manufacturer's instructions. Make sure children cannot reach them. Gasoline, combustible materials and materials that produce flammable vapors, flammable liquids, and substances that pose a fire hazard-must not be stored near the dryer.
11. Keep pets away from the dryer.
12. BEFORE THE APPLIANCE IS REMOVED FROM SERVICE OR DISCARDED, REMOVE THE DOOR TO THE DRYING COMPARTMENT.
13. Do not reach into the appliance if the drum is rotating.
14. Do not install or store this appliance where it will be exposed to the weather or the elements, such as water/moisture, dirt, corrosive/salt air, and excessive cold.
15. Do not tamper with the controls.
16. Do not repair or replace any part of the appliance or attempt any service unless specifically recommended in the user-maintenance instructions or in published user repair instructions that you understand and have the skills to carry out.
17. Do not use fabric softeners or products to eliminate static unless recommended by the fabric manufacturer.
18. Do not use heat to dry articles containing foam rubber (may be labeled latex foam) or similarly textured rubber-like materials. Foam rubber materials can **ignite** by spontaneous combustion.
19. Do not dry articles containing spunbonded olefin. Spunbonded olefin can melt and can **ignite** by spontaneous combustion.
20. Check the lint screen before each laundry load and clean as needed. Excess lint buildup can damage the dryer and create a potential **fire hazard**.
21. Keep area around the exhaust opening and adjacent surrounding areas free from the accumulation of lint, dust and dirt. An obstructed port might reduce the airflow and cause overheating.
22. The interior of the machine and exhaust duct should be cleaned periodically by qualified service personnel.
23. Removing any panel or cover, including the light cover, may expose live electrical circuits. Removing any panel, including the round service panel in the front, can also expose sharp edges and points as well as hot surfaces. Always unplug the dryer from the electrical supply before attempting any service. Disconnect the power cord by grasping the plug, not the cord.
24. To avoid fire hazards, do not use an extension cord, an adapter, or any other non-manufacturer supplied electrical connector or cord, to connect the dryer to the electrical supply.
25. Always check clothing pockets and shake out all laundry items

before placing into dryer; inappropriate objects can damage the dryer and certain items like cigarette lighters can pose a **fire hazard**.

26. To reduce the risk of fire and electrical shock hazards, do not use the dryer if the power cord is frayed or damaged, or if the plug is loose.
27. Do not operate the dryer if any guards and/or panels have been removed or if any parts are missing or broken.
28. Do not bypass any safety devices.
29. Do not use a plastic or non-metal flexible duct with this dryer. Plastic or non-metal flexible duct is a potential **fire hazard**.
30. Do not operate this dryer until you are sure that the dryer has been installed according to the INSTALLATION INSTRUCTIONS and that installation and electrical grounding are in compliance with all local regulations and/or other applicable regulations and requirements.
31. Failure to install, maintain and/or operate the dryer according to the manufacturer's instructions may result in **injury** and/or damage.
32. To avoid floor damage and mold growth, do not let spills or splashout to cause standing water around or under the appliance.
33. No other fuel-burning appliances shall be installed in the same closet as the dryer.
34. Make sure that all water connections to the dryer have a shut-off valve that is readily accessible. Close the appliance water shut-off valve(s) at the end of each day of use.
35. Check the fill hose connections on a regular basis to ensure that they are tight and not leaking.

Notes:

- A The IMPORTANT SAFEGUARDS and WARNINGS presented in this manual do not cover all possible conditions that may occur. Common sense, caution and care must be exercised when installing, maintaining or operating the dryer.
- B Always contact your dealer, distributor, service agent or the manufacturer about any problems or conditions that you do not understand.
- C Follow the Safety Information provided in the INSTALLATION INSTRUCTIONS and the OPERATING INSTRUCTIONS.

GROUNDING INSTRUCTIONS

This appliance must be grounded. In the event of malfunction or breakdown, grounding will reduce the risk of electric **shock** by providing a path of least resistance for the electric current.

For the State of Massachusetts Installations:

1. Installation must be performed by a licensed plumber or gas fitter licensed by the state, province or region where this appliance is being installed.
2. Shut-off valve must be a "T" handle gas cock.
3. Flexible gas connector must not be longer than 36 inches (0.91 m).



WARNING

Improper connection of the equipment grounding conductor can result in a risk of electric **shock**.

Check with a qualified electrician or service person if you are in doubt as to whether the dryer is properly grounded.

DO NOT modify the plug provided with the appliance. If it will not fit the outlet, have a proper outlet installed by a qualified electrician.

KEEP THESE INSTRUCTIONS FOR FUTURE REFERENCE.

In case of change of ownership, [this](#) manual should be conveyed with the dryer.

SAVE THESE INSTRUCTIONS

INSTALLATION INSTRUCTIONS

Introduction

Read these installation instructions completely and carefully. They will save you time and effort and help to ensure optimum dryer performance. Be sure to observe all listed warnings and cautions.

WARNING

WARNING – Risk of Fire.

- Clothes dryer installation must be performed by a qualified installer.
- Install the clothes dryer according to the manufacturer's instructions and local codes.
- Do not install a clothes dryer with flexible plastic venting materials. If flexible metal (foil type) duct is installed, it must be of a specific type identified by the appliance manufacturer as suitable for clothes dryers. Flexible venting materials are known to collapse, be easily crushed and trap lint. These conditions will obstruct clothes dryer airflow and increase the risk of fire.
- To reduce the risk of severe injury or death, follow all installation instructions.
- **SAVE THESE INSTRUCTIONS.**

In addition to these instructions the dryer must be installed in accordance with all local codes or, in the absence of a local code:

- In the **U.S.A.**, in accordance with the National Electric Code, ANSI/NFPA70 – latest edition/State and Municipal codes and/or local codes.
- In **Canada**, in accordance with the Canadian Electric Code C22.1 – latest edition/Provincial and Municipal codes and/or local codes.

The gas installation must conform with local codes, or in absence of local codes, with the National Fuel Gas Code, ANSI Z223.1/NFPA 54 or the Canadian Natural Gas and Propane Installation Code CAN/CSA-B149.1

Note:

This gas dryer has been UL and C-UL listed for safe operation up to a height of 7,700 ft. without any modifications to components for natural gas.

Information concerning waste disposal

Disposal of the packaging

WARNING

Keep children away from the shipping carton and packaging components to avoid risk of suffocation.

All packaging materials are environmentally friendly and can be reused. Please dispose of packaging in an environmentally friendly manner.

Please ask your dealer or inquire at your local authority about the best means of disposal.

Disposal of the old appliance

WARNING

If the appliance is no longer usable, pull out main plug, cut off power cord and discard with main plug. To prevent children from locking themselves in the appliance, remove the door.

Old appliances are not worthless rubbish! Valuable raw materials can be reclaimed from environmentally friendly recycling.

Please ask your dealer or inquire at your local authority about the best means of disposal.

Before installing the dryer

Before installing the dryer to a previously used ductwork system, make sure the system is clean. Professional ductwork cleaning is recommended annually and also when attaching your dryer to a previously used ductwork system.

Maintaining clean ductwork will reduce drying time and will improve drying performance.

Unpacking the appliance

CAUTION

The dryer is very heavy. Do not lift it by yourself. Do not lift the appliance by projecting components (e.g. door) – due to risk of breakage.

NOTICE

Remove the appliance packaging carefully to prevent damage to appliance surfaces and adjacent areas.

Check the dryer for transportation damage. Do not install a dryer which is visibly damaged. If in doubt, contact your dealer.

Supplied components

CAUTION

The dryer is supplied without a power cord. The power cord must be connected by a qualified technician or a licensed electrician.

NOTICE

After removing the packaging, immediately remove any objects from the drum.

Installation location

WARNING

DO NOT install the dryer:

- outdoors
- in an environment with dripping water,
- near flammable materials,
- in rooms which are at risk of frost,
- in rooms which may contain gas or other fuels,
- in cupboards with lockable doors or in alcoves.
- with other fuel-burning appliances in the same closet.

The installation room must be well ventilated, otherwise the dryer will operate below optimum performance.

Do not operate the dryer at temperatures above 104°F (40°C) or below 41°F (5°C). Low temperatures affect the automatic program sequence and may prolong the drying times.

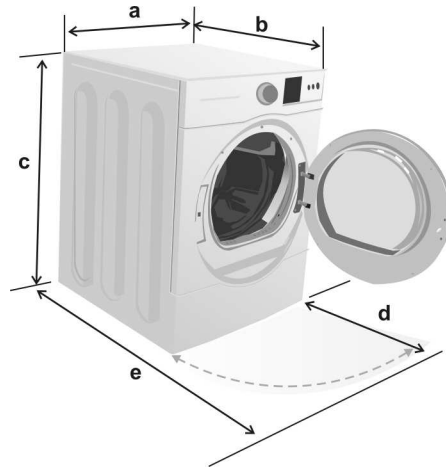
The installation surface for the dryer must be clean, level and firm. Do not install the appliance on carpets! Compensate for uneven floors with the height-adjustable feet.

The size of the installation area depends on the dimensions of the dryer. Ensure that there is adequate room for the swivel range of the door!

WARNING

If installed in a garage, the dryer must be installed on a substantial platform at least 18 inches (46 cm) above the floor to reduce the likelihood of igniting flammable vapors and be located or protected so it cannot be damaged by a moving vehicle

Dryer Dimensions



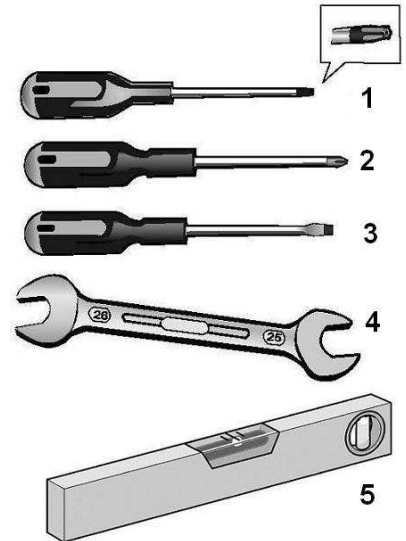
	Dimension	Weight
a	27.0" (68.6 cm)	125 lbs (56.7 kg)
b	31.8" (81.0 cm)	
c (min)*	36.9" (93.6 cm)	with packaging
c (max)*	37.8" (95.9 cm)	143 lbs (64.8 kg)
d	22.0" (59.7 cm) angle 160°	
e	53.9" (136.9 cm)	

* min=dryer feet all the way in, max=out

Useful Tools

The following tools are helpful during installation:

1. T20 star head screwdriver
2. Philips screwdriver (#2)
3. Flat blade screwdriver
4. Open end wrench 1 in. (25mm)
5. Bubble level



Checklist for Installation

1. Unpack the dryer.
2. Remove all objects from the drum.
3. Check the dryer for visible damage.
4. Position the dryer near the installation location (see page 8).
5. If required, change the door hinge to the left (see page 9).
6. If required, install the side or bottom exhaust air outlet on the dryer (see page 18).
7. Have the gas supply connected by an qualified technician (see page 15).
8. Install exhaust ductwork if necessary.

Follow the installation instructions supplied by the appropriate ductwork parts manufacturers (see page 17)

i If space is very restricted, it is recommended to fit the initial parts of the exhaust duct to the dryer before the dryer is moved to its final installation location.

NOTICE

DO NOT push against the dryer door glass. Risk of breakage!

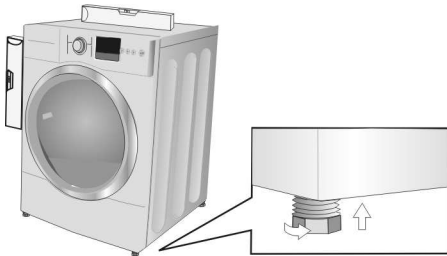


9. Move the dryer to its final location.

NOTICE

Do not slide dryer across the floor if height-adjustable feet have been extended. Feet and/or dryer base may be damaged if dryer is slid across floor with height-adjustable feet extended.

10. Position and then level the dryer.



The dryer should be level with all four feet firmly on the ground. The dryer must not wobble. If the dryer is not level or if it does wobble, the feet must be adjusted. Adjust the height-adjustable feet using the 1 in. (25mm) wrench until the dryer does not rock and is level, both front-to-back and side-to-side.

- ❑ After making preliminary adjustments, press down on each corner of the dryer to make sure the unit does not wobble. If pressing down on a corner causes the dryer to wobble, lower the dryer foot on that corner until the foot touches the floor firmly.

Install the dryer and level it from side to side and front to back. Use a bubble level. Never remove the height-adjustable feet!

11. Connect the exhaust duct to the exhaust air outlet on the dryer (see page 16).
12. Insert the dryer electrical plug into the wall receptacle (see page 14).
13. Open the shut-off valve.
14. Read the operating instructions to understand how your dryer operates. (see page 20).
15. Conduct an appliance test:
 - ❑ Check that the drum is empty.
 - ❑ Close the dryer door.
 - ❑ Switch the dryer to "Extra Dry" and then press the "Start/Pause" button.
 - ❑ After 3–5 minutes press the "Start/Pause" button and open the door.
 - ❑ If the interior of the dryer feels warm, the dryer has been connected properly. Switch the dryer to "OFF".
 - ❑ If the dryer does not work, switch the dryer to "OFF". Look in the troubleshooting section (page 30) and find the fault.

Door Hinge Reversal

The door is hinged on the right hand side of the dryer at the factory. The door hinge can be reversed if necessary.



CAUTION

Turn off the gas supply if the dryer must be moved in order to reverse the door hinge. Follow the gas uninstall and reinstall directions found in the "Checklist for Installation" (see page 8).

Tools Needed

T20 star head screwdriver

Hinge Reversal Parts

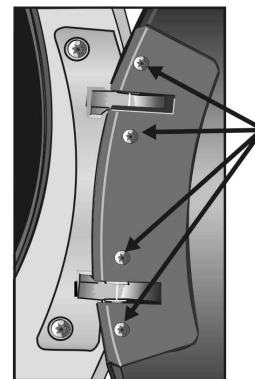
Hinge (with 4 white plastic bushings)

Hinge Cover Plate

Door Assembly

Hinge Reversal Procedure

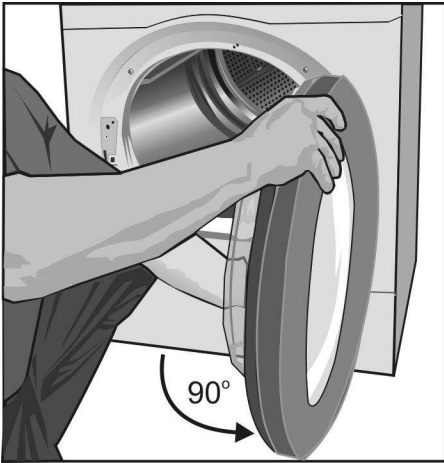
1. Unplug the dryer.
2. Prepare a firm, flat, padded surface to lay the dryer door on while changing the hinge.
3. Open the dryer door to fully expose the hinge cover.
4. Remove the 4 screws holding the hinge cover in place.



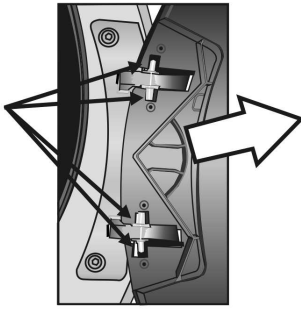
remove four screws

Set the cover aside along with the four screws for later reinstallation.

5. Rotate the door so that it is perpendicular to the dryer front. Slide the door away from the dryer so the hinge pins slide out of the grooves in the dryer door.

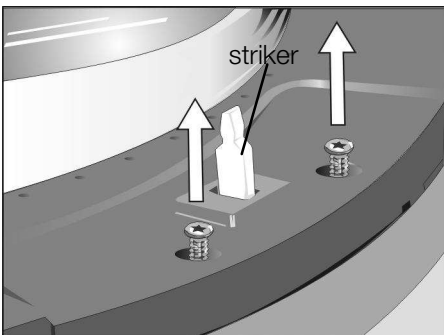


check to make sure that all four plastic bushings remain on the hinge pins

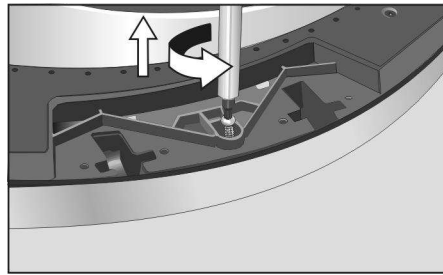


Avoid allowing the 4 plastic bushings to fall off the hinge pins. If any of the bushings do fall off, reinstall them on the hinge pins prior to reinstalling the door.

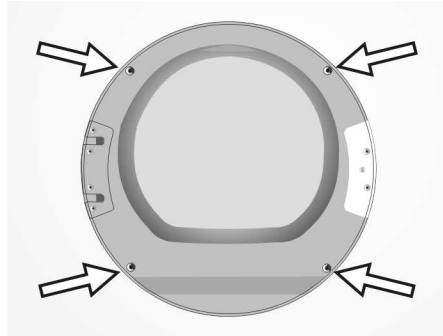
6. Lay the dryer door face down on a firm, flat, padded surface, with the bottom of the door facing towards you.
7. Remove the two screws holding the striker cover plate in place. Hold the striker while lifting the cover so as to keep the parts together in place and set the assembly aside for later reinstallation.



8. Remove the single screw that was hidden by the striker plate cover.

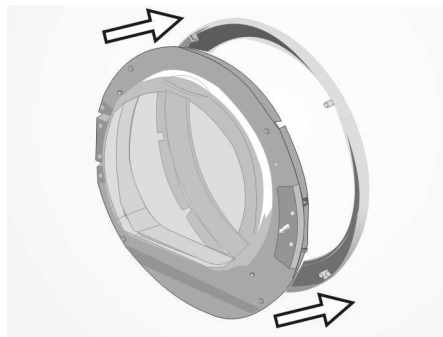


9. Remove the four screws holding the front ring to the door body.



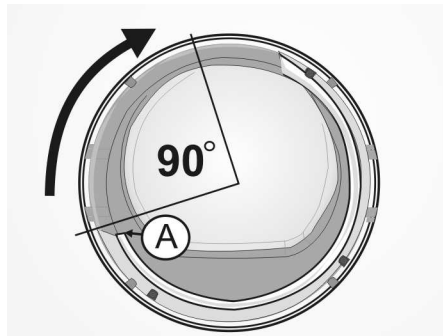
10. Flip the door over so the front ring faces up.

11. Remove the front ring from the dryer door.

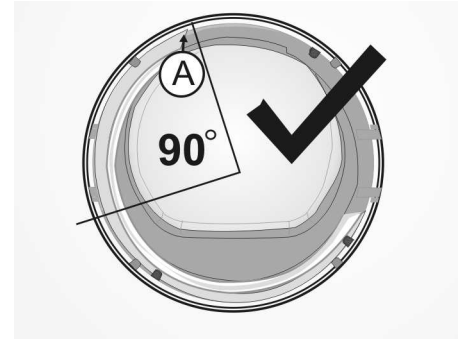


12. The cover glass has a raised glass edge that goes about two-thirds of the way around the glass. Be sure this raised edge faces up towards you. Observe the position of the leading edge of the raised glass handle, marked in the illustration below as (A).

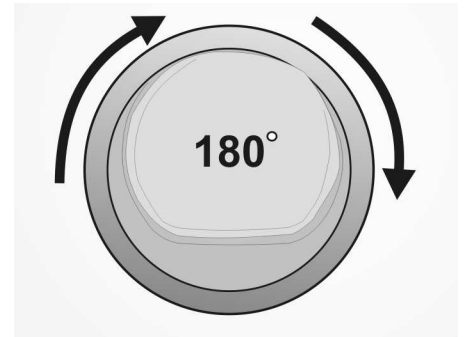
Rotate the cover glass 90 degrees clockwise.



13. Note the new position of the cover glass. The leading edge of the raised glass edge should have moved 90 degrees clockwise from its starting point as shown in the illustration below as (A).



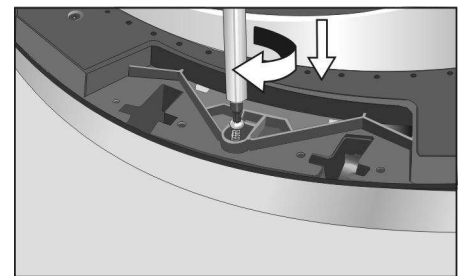
14. Rotate the front ring 180 degrees so the door handle is now on the right hand side. The door handle is located on the inside of the front ring. It is a hand-sized indent.



15. Flip the door over so the back faces up.

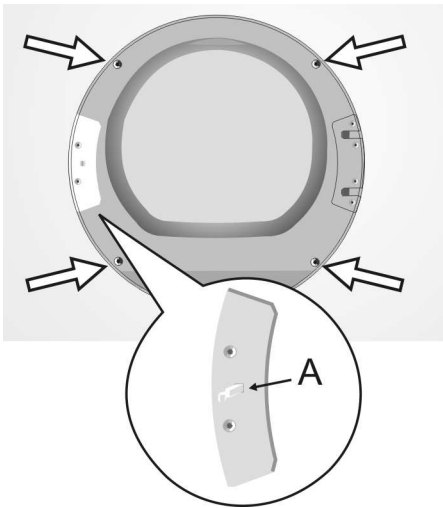
16. Reassemble the parts, preserving their new alignments.

17. Reinsert the single screw that goes under the striker plate. Tighten the screw securely.

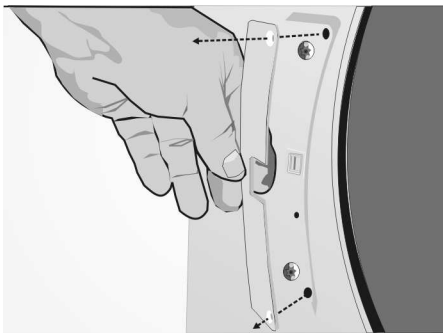


18. Rotate the striker cover and striker 180 degrees so the assembly fits to the install area on the opposite side of the door (where the hinge had been). Reinstall the striker cover and striker to the new location and securely tighten the two cover screws.

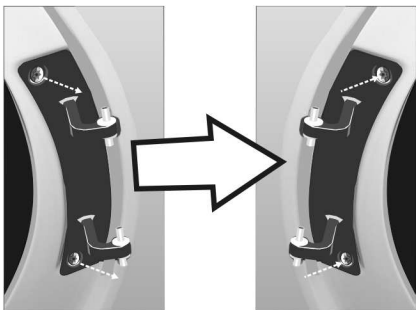
19. Reinsert and tighten the four front ring screws.



20. Remove the two screws holding the plastic cover plate over the left hand hinge mounting position on the dryer housing. Remove the plate and set it aside with the two screws.



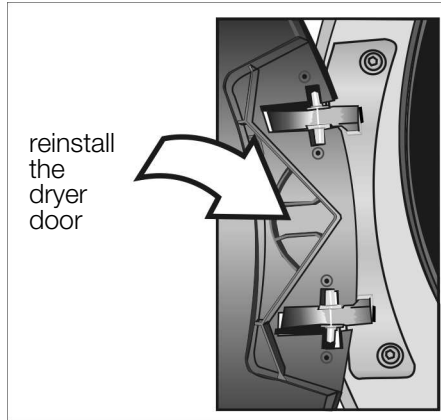
21. Remove the two screws holding the metal door hinge to the dryer housing. Remove the hinge from the housing.



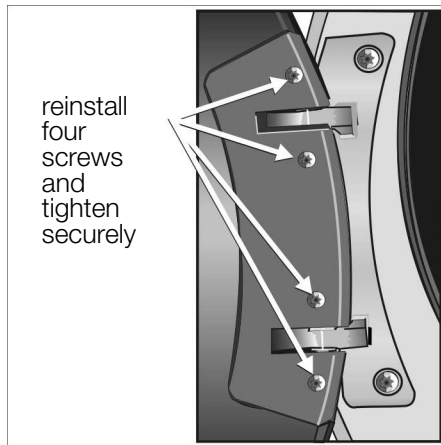
Right Hand to Left Hand

22. Reattach the door hinge to the dryer housing at the left side of the dryer door opening. Tighten both screws completely, making sure they hold the hinge securely.
23. The door is now ready to be mounted back on the dryer.

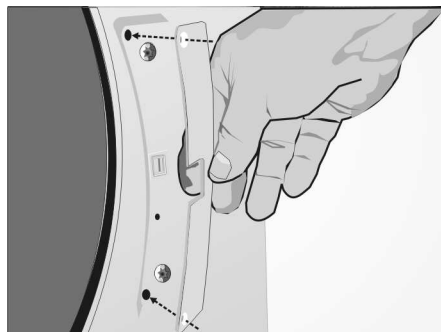
24. Reinstall the dryer door by sliding it onto the hinge pins. Avoid allowing the four plastic bushings to fall off the hinge pins. If any fall off, reinstall them on the hinge pins prior to reinstalling the dryer door.



25. Reinstall the hinge cover plate removed in step 4. Insert and tighten the 4 screws holding the hinge cover plate in place.



26. Install the plastic cover plate over the original hinge position at the right hand side of the dryer door opening. Insert and tighten the two screws holding the plate in place.



27. Test that the door opens and closes properly. The door should latch securely. The hinge reversal process is complete.

Minimum Distances

Important information concerning minimum distances:

- Depending on the location of the exhaust air connection, an additional minimum distance of 5½ inch (14 cm) must be provided on this side, the side the connection is on, for ducts/brackets (see page 18).
- Benefits of maintaining greater distance (clearances) than the minimum shown include:
 - more air cools the dryer, keeps the dryer from overheating, and improves drying performance.
 - reduction of the risk of mold formation behind the appliance.
 - reduced noise transmission
 - facilitation of installation and service.
- If the dryer is installed in a small room, the doors of the room must be fitted with vents of the specified minimum size. Refer to the following illustrations of enclosed installations for additional information.
- Allow additional clearance for door, wall and window molding where necessary.

Installation Types

Observe the following minimum clearances between the dryer and adjacent surfaces for all installation types.

Minimum Installation Clearances

A Sides	0.25 in. (6.4 mm)
B Top	0.25 in. (6.4 mm)
C Rear*	5.25 in. (13.4 cm)
D Front	0.50 in. (12.8 mm)

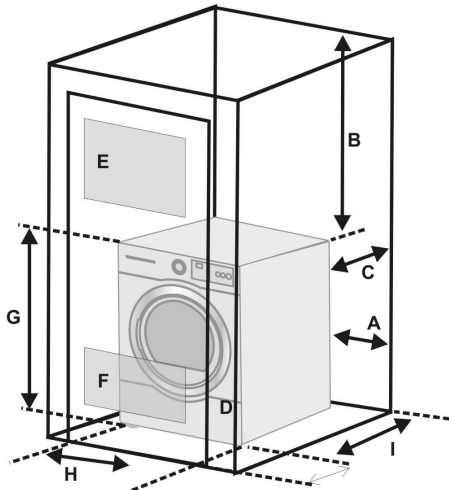
* as close to wall as venting or water connection will allow. If installed with a washer, the larger rear clearance for dryer venting is required for the laundry pair.

- Units are designed so that the dryer can be stacked on top of the washer using one of the stacking kits shown on page 19.
- Units are designed to allow for under-counter installation. See required dimensions in under-counter installation section on page 13.

Height measurements shown in this section are with the dryer feet at minimum extension (turned in all the way up against the base of the dryer).

Recessed or Closet

Dimensions for installation in a closet or recessed area are shown in the illustration below.



Closet Ventilation Requirements

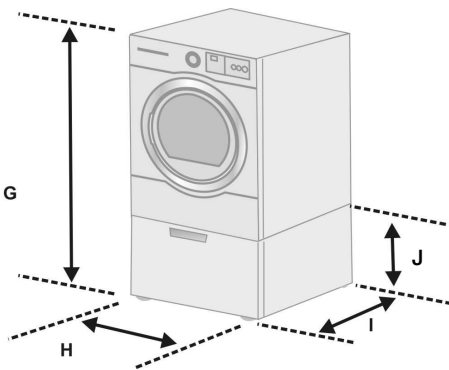
E Top	48 sq. in. (310 sq. cm)
F Bottom	24 sq. in. (155 sq. cm)

Required Installation Space

G Height	37.25 in. (94.6 cm)
H Width	27.50 in. (69.9 cm)
I Depth	37.25 in. (94.6 cm)

Mounted on Pedestal

Dimensions for pedestal mounting installation are shown in the illustration below.

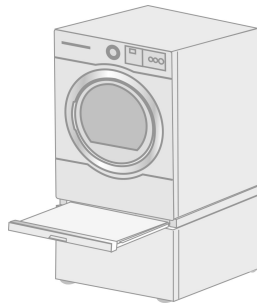


Required Installation Space

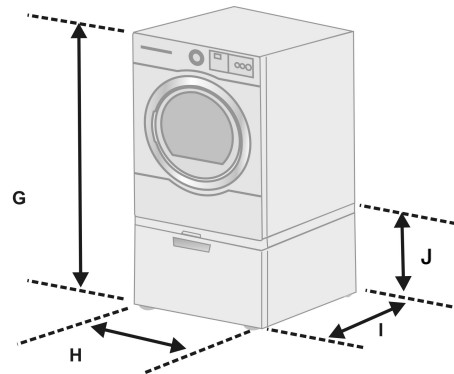
G Height	52.25 in. (132.7 cm)
H Width	27.50 in. (69.9 cm)
I Depth	37.25 in. (94.6 cm)
J Pedestal Ht.	15.0 in. (38.1 cm)

i Appliance must not be mounted on a pedestal for under counter installations.

Pedestal With Pull-Out Shelf



Dimensions for pedestal and pull-out shelf installation are shown in the illustration below.



Required Installation Space

G Height	53.75 in. (136.5 cm)
H Width	27.50 in. (69.9 cm)
I Depth	37.25 in. (94.6 cm)
J Pedestal ht.	15.0 in. (38.1 cm)

i Appliance must not be mounted on a pedestal for under counter installations.

Stacked Washer and Dryer

Dimensions for stacked installation are shown in the illustration below.

⚠ WARNING

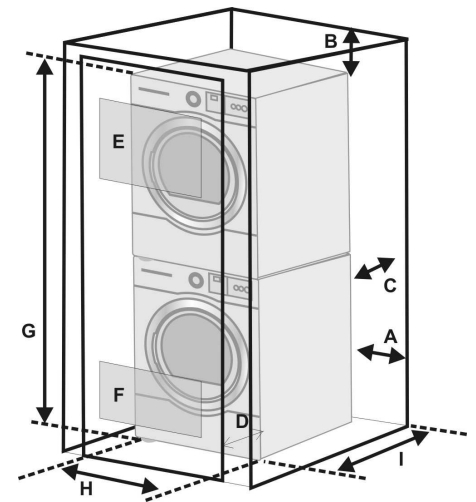
Use a flexible gas connection when installing a stacked dryer.

A hard, or rigid connection from the house gas supply to the "stacked" gas dryer is NOT allowed.

There are two stacking kits available for stacking the dryer on top of the washer. See the "Accessories" section on page 18.

⚠ WARNING

More than two people are recommended to lift the dryer into position because of its weight and size. Failure to do so could result in personal injury or death.



Clearance dimensions A through D are found on page 11.

Closet Ventilation Requirements

E Top	48 sq. in. (310 sq. cm)
F Bottom	24 sq. in. (155 sq. cm)

Required Installation Space

G Height*	74.50 in. (189.3 cm)
* with basic stacking kit	
Height**	76.02 in. (193.1 cm)
** with pull-out shelf stacking kit	
H Width	27.50 in. (69.9 cm)
I Depth	37.25 in. (94.6 cm)

⚠ WARNING

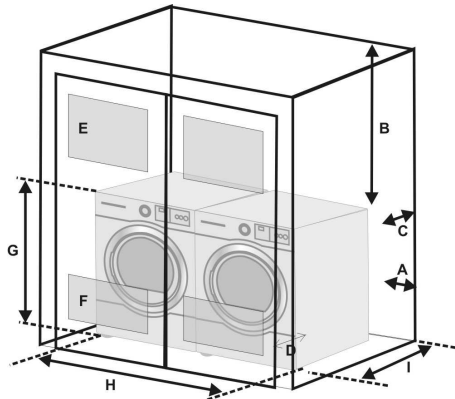
Appliance must not be mounted on a pedestal for stacked installations.

The washer must not be stacked on top of the dryer. Serious injury and damage may result.

i Utilize care in sliding the stacked washer and dryer units into place. See the stacking kit installation instructions for further information.

Side by Side

Dimensions for side by side recessed or closet installation are shown in the illustration below.



Clearance dimensions A through D are found on page 11.

Closet Ventilation Requirements

E Top	48 sq. in. (310 sq. cm)
F Bottom	24 sq. in. (155 sq. cm)

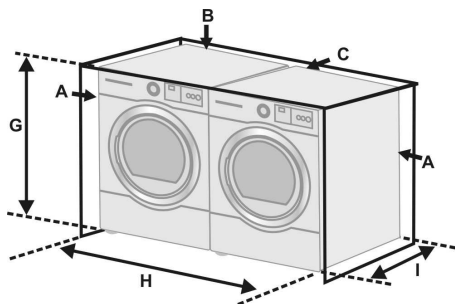
Required Installation Space

G Height	37.25 in. (94.6 cm)
H Width	54.75 in. (139.1 cm)
I Depth	37.25 in. (94.6 cm)

Height Requirement if mounted on a pedestal 52.25 in. (132.7 cm)

Under-Counter

Dimensions for under-counter installation are shown in the illustration below.



Clearance dimensions A through D are found on page 11.

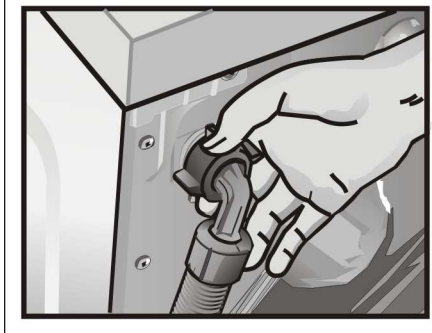
Required Installation Space

G Height	37.25 in. (94.6 cm)
H Width	27.50 in. (69.9 cm)
Width*	54.75 in. (139.1 cm)
* washer and dryer side by side	
I Depth	37.25 in. (94.6 cm)

i Appliance must not be mounted on a pedestal for under-counter installations.

Water Connection

This section applies only to dryers with a water connection. The connection is found at the top back of 500 and 800 Series Dryers with the Steam logo on the panel.



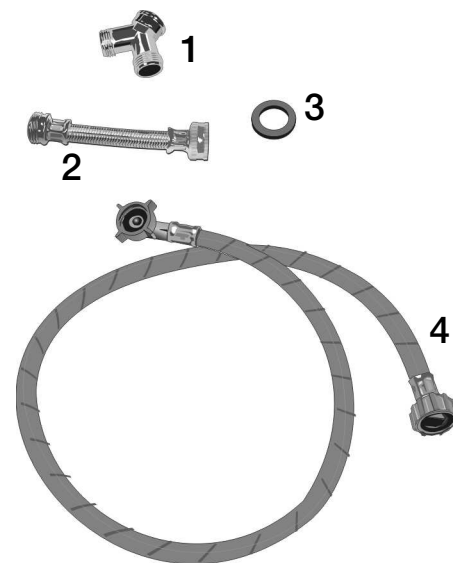
Attach the dryer water supply hose to a cold water faucet (the faucet must be located within 4 ft (1.2 m) of the water inlet valve on the back of the dryer).

It is recommended to have a water supply pressure of 20 – 100 psi (1.37 – 6.89 bar) for best performance.

Since most connections will share the cold water faucet used by the clothes washer, a “Y” connector is provided along with a short hose (if needed) in order to connect the water supply hose to the cold water faucet.

Steam Dryer Parts Supplied

The following parts are included with the shipment of your dryer:

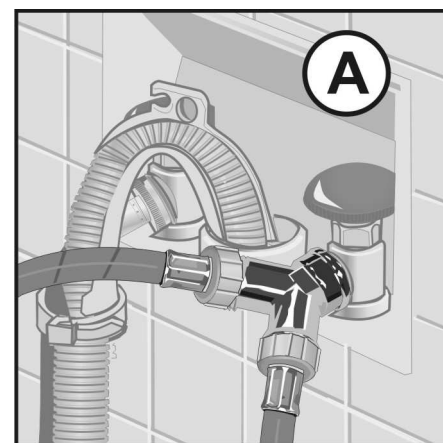


1. “Y” connector
2. Short metal-braided inlet hose
3. Rubber washer (inserted in female end of short inlet hose, shown separately here for purposes of clarity).
4. water supply hose

Connecting the Water Inlet Hose

i The dryer must be connected to the “Y” connector using the water supply hose provided. Do not use an old hose.

1. Turn off the cold water tap and remove the washer water supply hose from the tap.



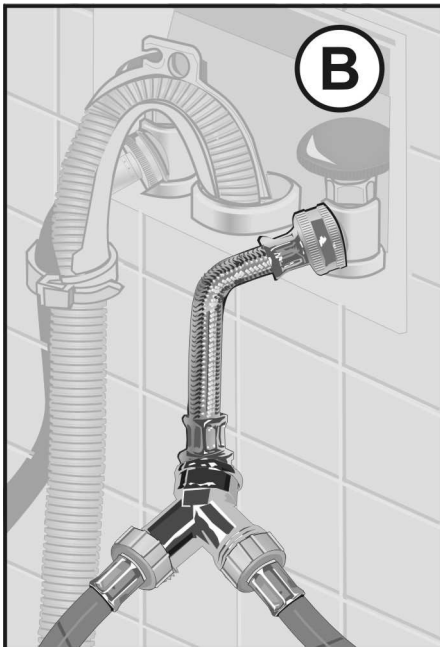
2. Check to be sure that the rubber washer is fully inserted and seated in the female end of the short hose prior to continuing. The rubber washer is shown as item 3 in the

supplied parts illustration. It is illustrated separately from the hose for clarity.

3. If space permits, attach the internally threaded (female) end of the “Y” connector directly to the cold water faucet (option **A** as shown in the illustration above) and continue to step 6

For optional Installation with Y Connector

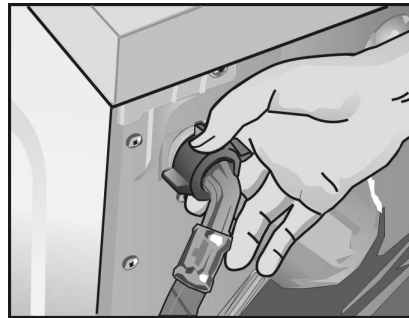
If the “Y” connector cannot be attached directly, use the short hose provided to connect the “Y” connector to the cold water faucet (option **B** as shown in the illustration below), and continue with steps 4 through 5.



4. Attach the short hose to the cold water faucet. Tighten the connection by hand until the coupling is seated on the faucet.
5. Use pliers to tighten the connection an additional two-thirds turn.



6. Attach the “Y” adapter to the short hose. Tighten the coupling by hand until it is firmly seated on the hose.
7. Attach the washer cold water supply hose to the “Y” connector. Hand tighten only.
 8. Attach the dryer water supply hose to the other coupling of the “Y” connector. Hand tighten only.
 9. Tighten only metal-to-metal couplings on the “Y” connector and short hose an additional two-thirds turn using pliers.



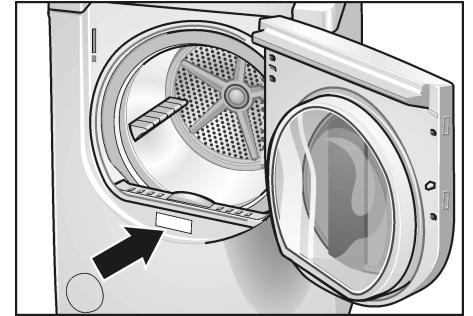
10. Attach the right-angle connector on the water supply hose to the inlet valve located at the top left of the dryer.
11. **Hand tighten** the coupling until it is seated on the connector. **Do not use pliers**, hand tighten only.
12. Turn on the water faucet.
13. Check for leaks around the “Y” connector, faucet and all hoses.

Electrical Connection GROUNDING INSTRUCTIONS

WARNING

The dryer must only be connected to an individual branch circuit via a socket which has been properly installed and grounded.

The household electrical voltage must correspond to the voltage specification on the dryer (rating plate). You will find the rating plate on the inside of the front panel.



Connection specifications as well as the electrical requirements are stipulated on the appliance nameplate. Make sure that:

- the power cord plug fits into the socket.
- the power cord is acceptable for use in this application.
- the grounding system is properly installed.

The power cord may be replaced by a qualified technician or a licensed electrician only.

Replacement power cords are available from Customer Service (see page 32).

Volts	Hertz	Amperes	Watts
110–120	60	9	1080

Gas connection

WARNING

Explosion hazard!

Use a new AGA or CSA approved gas supply line.

Install a shut-off valve.

Securely tighten all gas connections.

Do not crush or kink the gas line.

Have a qualified person make sure gas pressure does not exceed 14 in. W.C./ 3.49 kPa/ 0.506 psig. (Natural Gas and Propane).

Example of a qualified person include:

- licensed heating personnel,
- authorized gas supplier personnel,
- authorized service personnel.

Failure to do so can result in explosion or fire.

Risk of death or injury!

All gas line connections must be tested for leaks prior to appliance operation. Apply soapy water to gas line connections and check for formation of new bubbles. Bubbles indicate a leak!

When installing the gas supply to the gas dryer inlet pipe, do not exceed 26 ft–lb (35 Nm).

WARNING

Never use an open flame to test for gas leaks.

Gas type

This dryer when equipped for use with NATURAL GAS will employ an orifice size 46 and will have a gas outlet pressure of 3.5 in. W.C.

Your dryer must have the correct valve for the type of gas in your home. Valve information is located on the rating plate behind the door below the port hole.

If the rating-plate information does not agree with the type of gas available, contact your dealer or our customer service team (see page 32).

Gas supply line

$\frac{1}{2}$ " I.D. pipe is recommended.

$\frac{3}{8}$ " approved tubing is acceptable for lengths under 20 ft (6.1 m) if local codes and gas supplier permit.

Must include $\frac{1}{8}$ " NPT plugged tapping, immediately upstream of the gas connection.

A shut off valve must be included:

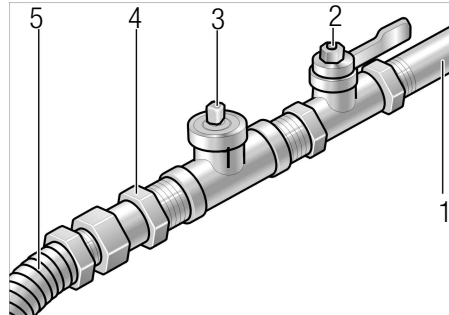
– USA:

An individual manual shut-off valve must be installed within 6 ft (1.8 m) of the dryer in accordance with the National Fuel Gas Code, ANSI

Z223.1/NFPA 54.

– Canada:

An individual manual shut-off valve must be installed in accordance with the B149, Installation Codes, CAN/CSA B149.1 and CAN/CSA B149.2. It is recommended that an individual manual shut-off valve be installed within 6 ft (1.8 m) of the dryer.



- 1 – $\frac{1}{2}$ " NPT gas supply line
- 2 – Gas shut-off valve
- 3 – $\frac{1}{8}$ " NPT plugged tapping
- 4 – $\frac{3}{8}$ " pipe to flare adapter fitting
- 5 – $\frac{3}{8}$ " flexible gas connector (to the dryer)

The shut-off valve should be easy to reach for opening and closing.

Dryer gas pipe

The gas pipe that comes out through the rear of the dryer has a $\frac{3}{8}$ " male pipe thread.

Note:

The dryer must be checked for proper operation whenever the gas connections have been broken.

Connection of the dryer

CAUTION

Connection must be made by a qualified technician.

The dryer must be disconnected from the gas supply piping system during pressure testing.

When using for the first time make sure that there is no air in the piping system.

WARNING

Do not use copper pipes and tubing if connected to natural gas.

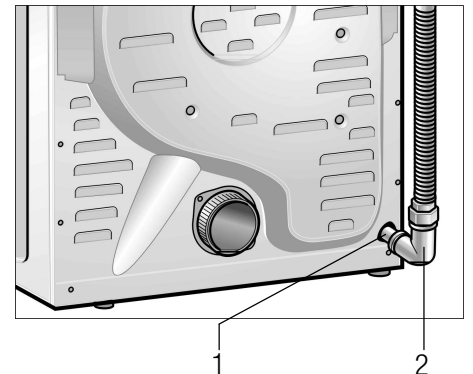
WARNING

Use a flexible gas connection when installing a stacked dryer.

A hard, or rigid connection from the house gas supply to the "stacked" gas dryer is NOT allowed.

The connection may be different, according to the supply line type, size and location.

If local codes permit, use a flexible stainless steel connector (Design certified by the America Gas Association or CSA International) to connect the dryer.



To reduce the distance between body sheet and wall install a $\frac{3}{8}$ " elbow on the gas pipe of the dryer.

- 1 – gas pipe ($\frac{3}{8}$ " male pipe thread)
- 2 – $\frac{3}{8}$ " elbow

Exhaust air connection

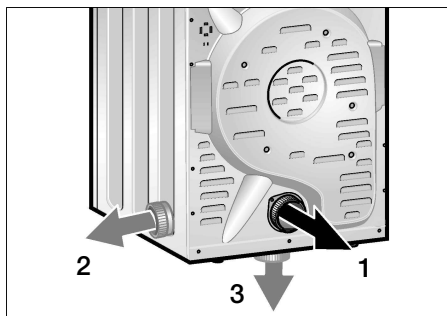
The following warnings must be adhered to without exception.

WARNING

1. To reduce the risk of fire, this dryer **MUST BE EXHAUSTED OUTDOORS**.
2. To reduce the risk of fire, do not use ductwork longer than recommended. Refer to the maximum ductwork length table (see page 17).
3. **DO NOT** use a plastic, metal foil, or any other non-metal duct with this dryer. Only rigid or flexible metal duct shall be used for exhausting. Metal foil and flexible metal ducting are **NOT** the same.
4. **DO NOT** use more than 2.4 m of flexible metal ducting.
5. **DO** use a duct that is 4 inches (102 mm) in diameter.
6. **DO NOT** exhaust the dryer into: a chimney, wall, ceiling, concealed space of a building, furnace cold air duct, attic, crawl space, or any other ductwork used for venting.
7. **DO NOT** install a flexible duct in an enclosed wall, ceiling or floor.
8. **DO NOT** crush or kink the duct.
9. Do clean and inspect the exhaust system on a regular basis; at least once a year.
10. The exhaust duct must terminate with an approved exhaust vent hood to prevent back drafts or entry of birds or other wildlife.
11. **DO NOT** use exhaust hoods with magnetic latches.
12. **DO NOT** assemble the duct work with screws or fasteners that extend into the duct. They serve as an accumulation point for lint. Joints should be secured with aluminum tape.

Exhaust air outlet on the dryer

The dryer is delivered with an exhaust air outlet on the rear of the appliance. Alternative exhaust duct connection options are illustrated below. Select one of these options to make best use of the space available or an existing exhaust ductwork system.



- 1 – Exhaust air outlet on the rear of the appliance (standard)
- 2 – Exhaust air outlet on the side (optional)
- 3 – Exhaust air outlet on the underside of the appliance (optional)

Special exhaust air connections can be obtained from your dealer, part supplier or customer service for either connection type (see page 18).

- Side exhaust kit
- Bottom exhaust kit

A qualified technician should change the exhaust air outlet to the optional connection location.

Ductwork

The dryer vent system moves moist air away as your clothes tumble dry. You can shorten drying times, save energy and help ensure the safety of the system by making sure your dryer's exhaust duct system is properly installed and maintained.

Important Points to Consider:

- ❑ Keep exhaust duct runs (total length of the exhaust duct system from the dryer to the exhaust hood outside) as short as possible (refer to the table "Maximum Ductwork Length" on page 17.)
- ❑ Use the minimum number of elbows needed when installing the exhaust duct system. Avoid placing two 90 degree elbows adjacent to one another.

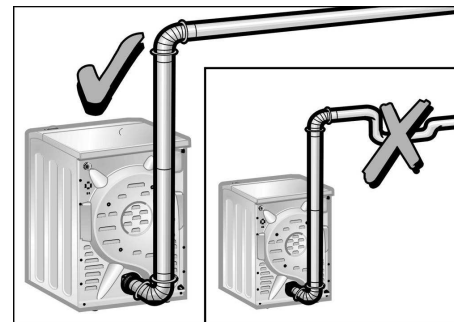
- ❑ Check and clean the exhaust duct system and exhaust hood at least once each year, and any time you suspect dryer performance is decreased.

Remove accumulated lint to prevent diminished air flow or clogging of the system. Professional cleaning is recommended annually and when attaching your dryer to a previously used exhaust duct system.

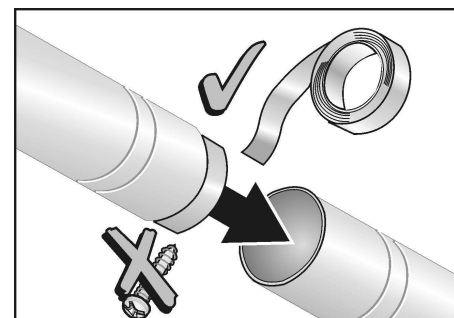
- ❑ Replace any plastic or metal foil venting sections with rigid metal or flexible metal ducting. Rigid metal ducting is recommended.

i Correct exhaust system installation is the responsibility of the consumer.

i **Problems that result from incorrect installation are not covered by the appliance warranty.**



Exhaust ducting which is longer than specified in the maximum ductwork length table on page 17 is not permitted. Not adhering to this table will extend drying time, cause lint to accumulate and affect dryer performance and life-time.



All joints should be tight to avoid leaks. The male end of each duct section must point away from the dryer. Whether connecting to an existing venting system or a new venting

system, make sure that all ducting is clean and free of lint.

The maximum permitted length for rigid duct and for rigid duct used with flexible metal duct is shown in the table below. If using flexible metal ducting to connect the appliance to the ductwork system, the total length of flexible metal duct used shall not exceed 2.4 m and can only be used to connect the dryer to the ductwork system. As the table below shows, the maximum overall ductwork length is reduced if flexible ducting is used.

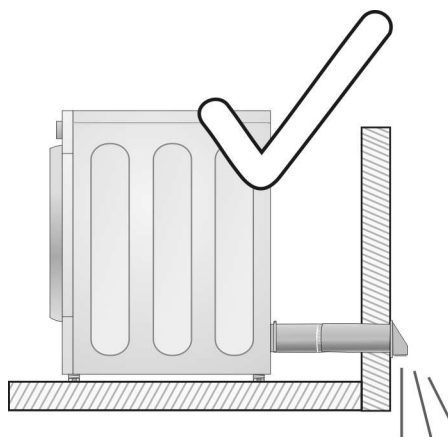
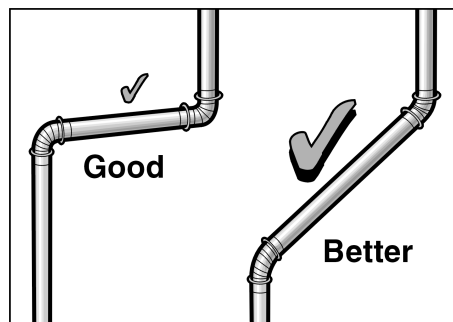
Maximum Ductwork Length

Number of 90° Turns or Elbows	Rigid Duct	Flexible Duct in Combination with Rigid Duct
0	66 ft. (2011 cm)	45 ft. (1372 cm)
1	56 ft. (1707 cm)	36 ft. (1097 cm)
2	48 ft. (1463 cm)	29 ft. (884 cm)
3	39 ft. (1189 cm)	22 ft. (671 cm)
4	30 ft. (914 cm)	16 ft. (488 cm)

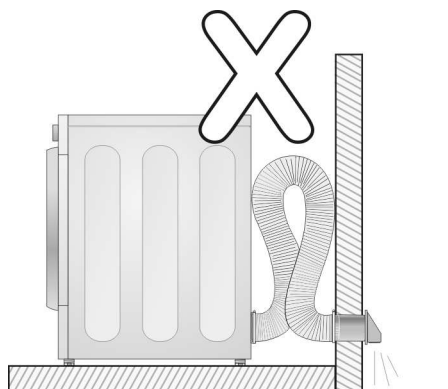
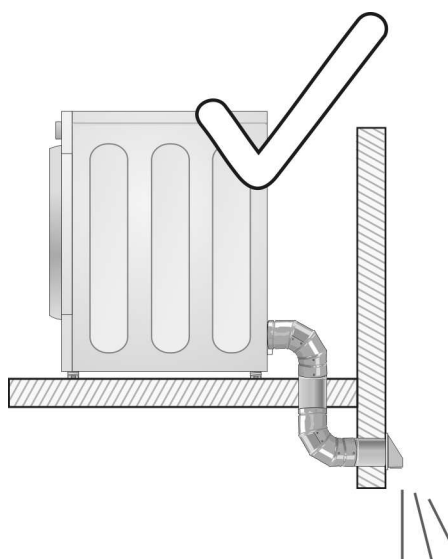
Note:

Side and bottom exhaust installations have a 90° turn inside the dryer. Take this into account when using the table above.

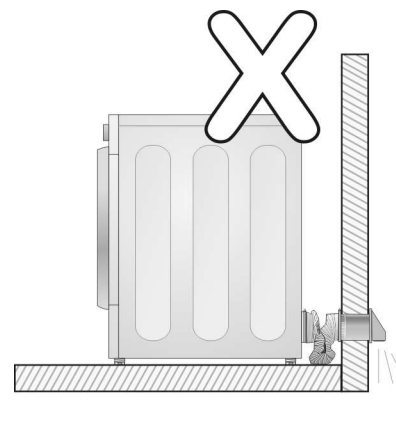
The use of more than two 90° turns are not recommended. For best performance, separate all turns by at least 4 ft. of straight duct, including distance between last turn and exhaust hood.



Keep exhaust ductwork as short and as straight as practical. This will increase air flow and result in shorter drying times.



Do not allow exhaust ductwork to be longer than necessary. Longer ductwork will reduce airflow and will result in longer drying times.

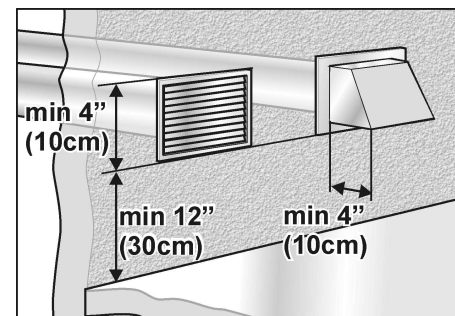


Do not allow exhaust ductwork to be crushed or otherwise constricted. Constricted ductwork will reduce airflow and result in longer drying times. Constricted ductwork could reduce exhaust airflow enough to cause an error condition, halting the dryer cycle. Check to be sure the exhaust duct is not crushed or constricted.

Exhaust vent hood

The exhaust duct must end with an approved exhaust vent hood with swing out damper(s). DO NOT use an exhaust vent hood with magnetic latches.

To avoid exhaust restriction, the outlet must be a minimum of 12 inches (30 cm) above ground level or any other obstructing surface.



Required Ductwork Parts

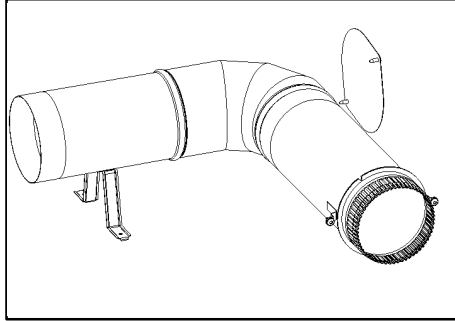
The parts required for the exhaust air system (elbows, lines, exhaust air outlets) are not included in standard delivery of the dryer (see the Accessories section for information on ordering parts.)

Professional installation of ductwork is recommended.

Accessories

The following optional accessories for your dryer may be obtained from customer service (see page 32) or from your local dealer. Please follow the installation instructions supplied by the appropriate manufacturer.

Side exhaust kit

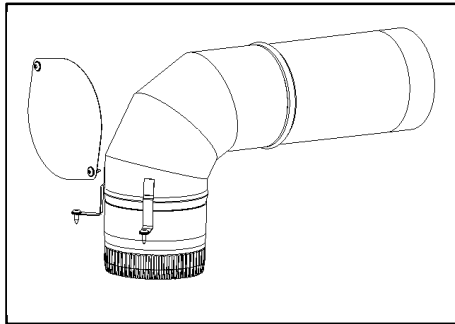


part no. **WTZ 1265**

Note:

See notes on maximum number of elbows on page 17.

Bottom exhaust kit



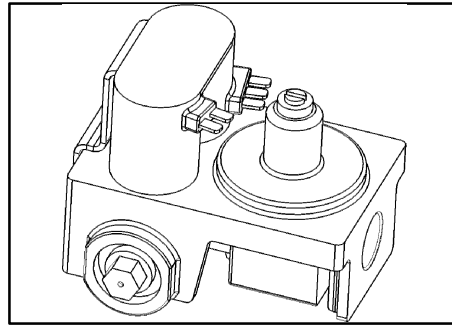
part no. **WTZ 1270**

Note:

See notes on maximum number of elbows on page 17.

i The bottom exhaust kit cannot be used with a pedestal installed on the dryer or if the dryer is stacked with the washer.

LP – Gas Kit



part no. **WTZ 1280**

The parts required for the LP version can be obtained from your local dealer. Please follow the installation instructions supplied by the appropriate manufacturer!

Note:

Dryer must be checked for proper operation whenever the gas connections have been broken.

Dryer rack



part no. **WTZ1620**

Use the dryer rack to dry washable woolen textiles (e.g. sweaters) and shoes.

Mobile home kit

part no. **WTZ 1275**

Note:

Please check with the authority having jurisdiction in your area to verify if a gas dryer can be installed in your mobile home. Once that has been verified, installation of the dryer shall conform to the Manufactured Home Construction and Safety Standard, Title 24 CFR, Part 3280 (formerly the Federal Standard for Mobile Home Construction and Safety, Title 24, HUD (Part 280)), and/or Standard CAN/CSA-Z240 MH.

The kit includes a means to secure the dryer to the structure.

See page 16 “Exhaust Air Connection” for the exhaust duct installation instructions.

The exhaust duct must be securely fastened to a noncombustible portion of the mobile home structure and must not terminate beneath the mobile home.

An opening to the outside must be provided during installation. Insure that the free area of the opening for the introduction of outside air is not less than twice the area of the dryer exhaust outlet or use at least a 5 inch diameter exhaust or at least a 25 in² square exhaust duct for the opening.

Pedestal Mounting Kit

A storage pedestal with a pull-out drawer is available as an accessory for your dryer. The pedestal adds approximately 15 inches to the height of the dryer. See page 11 for dimensions.



WARNING

Appliance must not be mounted on a pedestal in stacked installations.

part no. **WTZ 1610** is for a solid white color pedestal.

Other color pedestals may be available.

Reference part no. WTZ 1610“X” in which the X designates an available color (eg: A for Anthracite, S for silver). Please inquire at your dealer for color choices available.

You may also consult a current product catalog or visit our website at: www.boschappliances.com

If mounting the dryer on a pedestal, follow the instructions supplied with the pedestal.

Stacking Kits



WARNING

Use a flexible gas connection when installing a stacked dryer.

A hard, or rigid connection from the house gas supply to the “stacked” gas dryer is NOT allowed.

There are two stacking kits available.

Basic Stacking Kit

This kit anchors the dryer on top of the washer and adds approximately 0.63 inches (16 mm) to the stacked height. See page 12 for dimensions.

part no. WTZ 1601 is for the basic mechanical stacking kit.

Pull-Out Shelf Stacking Kit

This kit serves to stack the dryer on top of the washer and also provides a pull-out shelf. This kit adds approximately 1.52 inches (38.6 mm) to the stacked washer/dryer height. See page 12 for dimensions.

This kit may also be combined with the pedestal mounting kit to provide a pull-out shelf as well as a combined increase in height of the dryer of approximately 16.5 inches.

i The pedestal can not be combined with the pull-out shelf stacking kit in stacked washer/dryer installations.

part no. WTZ 1600 is for the solid white pull-out shelf stacking kit.

Other color pull-out shelf stacking kits may be available.

Reference part no. WTZ 1600“X” in which the X designates an available color (eg: A for Anthracite, S for silver). Please inquire at your dealer for color choices available.

Preparing to transport the dryer – step by step

i These procedures should only be performed by a qualified person.

1. Close the shut-off valve.
2. Rotate the program selector to “OFF”.
3. Disconnect the power supply (turn the circuit breaker off, unplug the appliance)
4. Disconnect gas supply.
5. Turn off the water faucet connected to the water supply hose (Steam models only). Disconnect the water supply hose.
6. Disconnect the exhaust duct from the exhaust air outlet on the dryer.
7. Collect any accessories and package them for shipment with the appliance.
8. Close the door and secure with adhesive tape.
9. Screw the height-adjustable feet of the dryer into the housing to prevent them from being damaged during transportation.
10. **Reinstallation of the Dryer at the New Location** – refer to the Installation Instructions in this manual (see page 7).

OPERATING INSTRUCTIONS

Before using

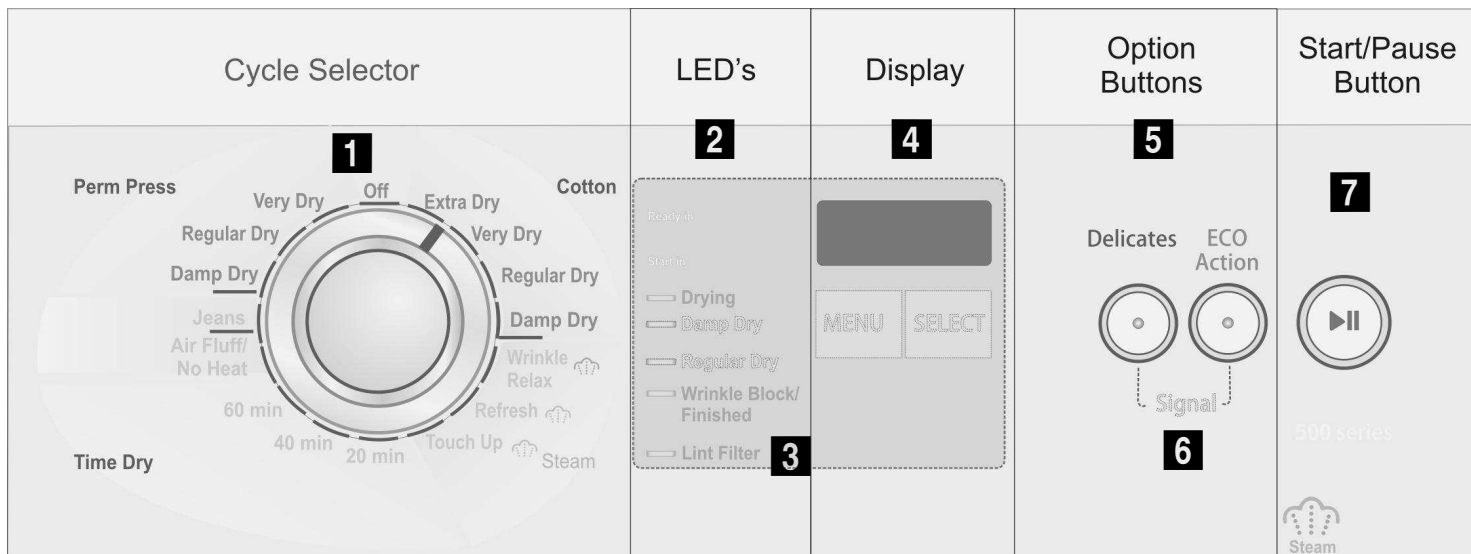
WARNING

To reduce the risk of fire, electric shock, or injury to persons, read the **IMPORTANT SAFETY INSTRUCTIONS** before operating this appliance.

WARNING

Before using your dryer, read and follow all installation and operating instructions.

Panel



1 Cycle Selector

Switches the machine on and off and selects the program (see page 22). Can be turned in both directions.

To switch off the dryer, rotate the cycle selector to “Off”.

2 LED Indicator Lights

LED'S light up in sequence to show the current moisture state of the drying process.

Wrinkle Block/Finished – at the end of the drying cycle an acoustic signal sounds and the Wrinkle Block/Finished LED lights up. The drum rotates at specific intervals for one hour to prevent the laundry from creasing (see page 23).

3 Lint Filter LED

Blinks as a reminder to clean the lint filter after use. Blinks for 10 seconds when the door is opened after a cycle ends, or in the event airflow is reduced enough to create a “CLn” or “E:12” error (see troubleshooting guide, page 30).

4 Display

300 and 500 Series

LED countdown indicates the estimated remaining time of a running cycle (in minutes).

800 Series

Indicates the settings of additional options and the estimated remaining time of programs. (See page 25)

Additional Options

Menu selects one of the additional options

Select changes the settings of the selected option

5 Option buttons

Add functions to the cycle selected. The option button LED is lit when the option is selected. Press the option button again to turn the option off (LED turns off).

Delicates: Press for temperature-sensitive textiles (e.g. acrylic fibers). The temperature of the drying process is reduced, the drying time is extended correspondingly.

ECO Action: Press for additional energy savings (use only for cotton and permanent press cycles). Press the option button prior to starting an automatic cycle.

6 Signal

300 and 500 Series

Press both option buttons at the same time to enable the acoustic signal. When the cycle is finished, an audible beeping tone will be emitted (see page 22). Press both buttons again to disable the signal.

800 Series

The 800 Series signal is set using the LCD menu (see page 25).

7 Start/Pause Button

Starts, interrupts and ends the drying process.

Start/Pause LED Status

Lit Red: Program is running and “Pause” can be activated.

Blinking: Settings can be changed, the drying cycle can be started, or program is in “Pause” mode.

Not Lit: Cycle is finished or there is no cycle selected.

Additional Safety Information

WARNING

To reduce the risk of fire, electric shock, or injury to persons, always follow the IMPORTANT SAFETY INSTRUCTIONS (see page 5).

Protection of the environment

Tips on saving energy

To save energy, money and time, Bosch recommends the following:

- **Drain the laundry thoroughly!**
Before drying, spin the laundry thoroughly in the washing machine. Use the highest possible spin speed for the type of laundry! Higher washer spin speeds reduce residual moisture and decrease drying time and energy consumption.
- **Use optimum load!**
Use larger loads, up to the maximum recommended loads for the cycle and laundry type. However, do not exceed maximum recommended load capacity.
- **Clean the lint filter!**
Check the lint filter before using the dryer each time and clean the filter as needed. Making sure the lint filter is clean before beginning each drying load results in improved airflow and reduced drying time. (see page 27).
- **Ventilate the room!**
Provide an adequate supply of fresh air during the drying process.
- **Do not dry unsuitable materials!**
Do not dry rubberized or air-tight items.
- **Clean and inspect the exhaust system on a regular basis!**
Blockages may extend drying time or may cause the dryer to malfunction.

Temporary disconnection of the dryer

Operate your dryer only when you are at home. If you plan to go on vacation or are not using your dryer for an extended period of time, you should:

1. Turn off the circuit breaker.
2. Unplug the power supply plug if possible.
3. Clean the lint filter.
4. Turn off the water supply (applies only to Steam dryers).
5. Turn off the gas supply.

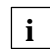
Laundry

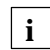
Identification of fabrics

Observe the treatment symbols on the textile labels. They provide valuable information as well as limitations about the drying process.

Do not dry the following textiles in the dryer:

- Air-tight textiles (e.g. rubberized)
- Delicate fabrics (silk, synthetic curtains)

 Dry woolen or wool-rich textiles with **the** dryer rack only!

 Use the time program “Air fluff/No heat” to dry articles containing foam rubber or similarly textured rubber-like materials.

Drying tips

In principle, the following applies to all drying programs:

- To ensure a uniform drying result, sort the laundry according to fabric type and drying cycle selected.
- Fasten zippers, hooks and eyes, loose belts, apron strings, etc.
- Do not overdry easy-care laundry to reduce the risk of wrinkling! Hang laundry up promptly to dry in the air.
- Do not iron laundry immediately after drying. Place the laundry in a pile for a short while. Residual moisture will then be distributed uniformly.
- Knit textiles (e.g. T-shirts, sweatshirts, and other similar types of laundry) often shrink when dried for the first time. Do not use the “Very dry/Extra dry” cycles the first time you dry these types of laundry to reduce potential shrinkage.

Some items such as these can also shrink during later laundering. Use caution in cycle selection to avoid shrinkage.

Cycle selection

For optimum drying results your dryer offers several cycle groups and additional options.

Automatic cycles include Regular/Cotton and Permanent press. Cycle selection is based in part on the laundry fabric type. These cycles are controlled via moisture sensors. Cycle time is determined by the measured degree of moisture in the laundry and on the degree of dryness selected (e.g. Damp dry, Regular Dry, Extra Dry).

Time cycles run for a length of time specified by the user. The Air fluff/No heat timed cycle uses ambient air (room temperature) without adding heat and runs for approximately 20 minutes, depending on the specific dryer model.

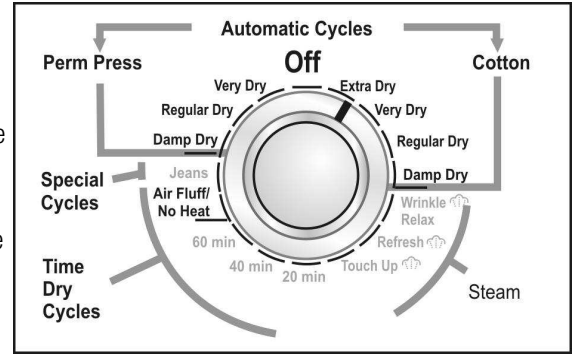
Special cycles are custom designed for specific types of fabric such as wool or jeans. **Wool or woollen products should only be dried using the dryer rack.**

Steam cycles are best suited for smoothing out wrinkles and reducing odors. These cycles should be used with loads consisting of three to four items made of wrinkle free cotton, cotton/polyester blend, cotton knit pullovers or synthetics. **Steam** programs are available only on select models.

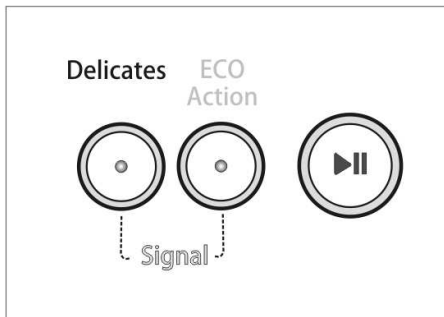
During Steam cycles a small amount of water is sprayed into the drum while tumbling the laundry load with heat. This process is repeated, followed by additional tumbling and a brief cool down period. The heat level and time are preset for these cycles.

Note: Results may vary with fabric type. Garments that are 100% cotton and have wrinkle-resistant finish may give better results.

If the nozzle stops spraying during one of the **Steam** cycles (symptoms would be water is not seen spraying into drum, clothes are less wrinkle-free than they customarily are with this function) check to be sure the nozzle is not clogged. Lint may accumulate to block the nozzle tip or hard water may cause buildup on the nozzle (see page 29).



Option Buttons



Delicates

Press the "Delicates" button for temperature sensitive textiles. Observe the care information or symbols on the textiles. The temperature of the drying process is reduced and the drying time is extended by using this option.

ECO Action

Your dryer has an "energy savings" ECO option. This option is used only with cotton and permanent press automatic cycles. Less heat is applied, and drying time is extended. Press the option button prior to starting an automatic program.

- i** The length of the ECO cycle is affected by the load size, textile type and climatic conditions.
- i** Combining with the "Delicates" button can produce even more savings.

Signal

300 and 500 Series Dryers

Your dryer outputs an audible beeping signal to alert the user of certain events. Enable the signal by pressing the "Delicates" and the "ECO Action" option buttons simultaneously.

To disable the signal, press both option buttons (again pressing both at the same time). Each press of the two option buttons together toggles the Signal on or off.

It is not necessary to hold the buttons in after pressing them.

The signal emitted will vary according to the following table.

Signal	Type
Start	Short tone
End	Sequence of short tones
Incorrect Selection	Sequence of long tones
Warning of malfunction	Sequence of long tones

- i** The signal "Warning of malfunction" is active regardless of whether or not the signal has been disabled.

LED Indicators of Cycle Sequence

The dryer uses an electronic scanning system for all cycles except the time cycles. A moisture sensor continuously checks the moisture in the laundry. Drying ends automatically as soon as the selected degree of dryness has been reached.

The current degree of drying is represented by using LED indicator lights. Each light is illuminated in succession as drying progresses.

The LED to the left of "Drying" illuminates when the selected drying cycle begins. On select models, LED lights for "Damp Dry" and "Regular Dry" indicate as each stage is reached.

When the load is finished the LED beside "Wrinkle Block/Finished" is illuminated.

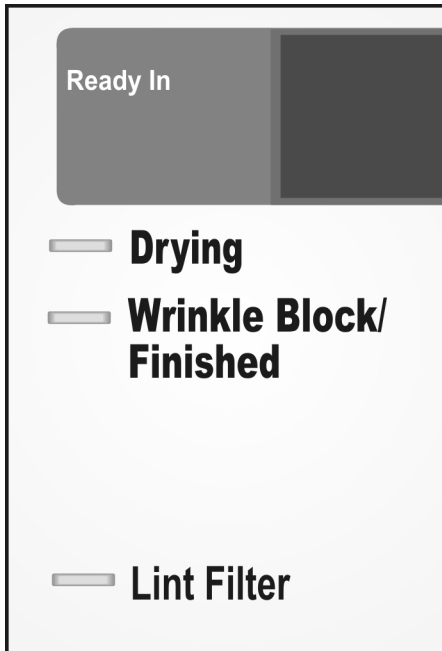
"Wrinkle Block/Finished"

The drum continues to rotate at specific intervals to help decrease wrinkling of the laundry load. Remove the laundry when the cycle is finished, or within the Wrinkle Block® period for best results.

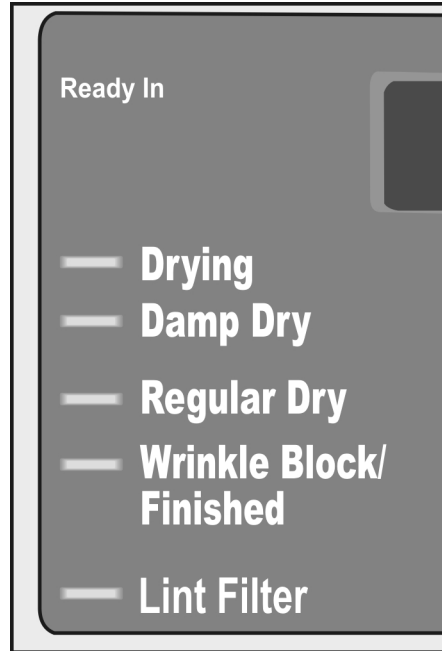
Wrinkle Block® begins when the drying phase ends for every cycle except the wool cycle. Following the end of a drying cycle, Wrinkle Block® turns the drum for about 16 seconds every two minutes for the first 10 minutes, then about 16 seconds every 5 minutes for the next 50 minutes.

LED Indicators Vary by Model

300 Series Dryer LED's



500 Series Dryer LED's



800 Series Dryer LED's



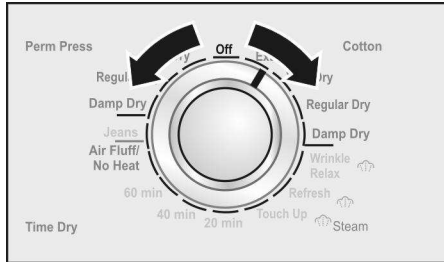
i If any LED or button is illuminated on the panel when the cycle selector is turned to the "Off" position, please turn off the circuit breaker and call customer service.

Cycle Selection Table

Automatic Programs		
Cotton For Cottons and coloreds made of cotton or linen. Press the “Delicates” option button for temperature-sensitive textiles.		
Damp dry	Bed linen, table linen, towels	to be ironed
	Bed linen and table linen, towels, T-shirts, sports shirts, overalls	
	T-shirts, sports shirts, dresses, trousers, overalls, underwear	
Regular dry	Terry towels, kitchen towels, hand towels, bed linen, underwear, cotton socks	not to be ironed
Very dry	Terry towels, kitchen towels, hand towels, bed linen, underwear, cotton socks	not to be ironed, thick multi-ply
Extra dry	Terry bathrobes and terry bed linen,	particularly thick or multi-ply
Permanent Press Easy-care (drip-dry) laundry made of synthetic and blended fabric (e.g. cotton/polyester). Press the “Delicates” button for very temperature-sensitive textiles.		
Damp dry	Trousers, dresses, skirts, shirts, blouses, leggings, sports clothing with synthetic-rich fibers, lingerie	to be ironed or only lightly ironed
Regular dry	Shirts, blouses, sports clothing	not to be ironed
Very dry	Bed linen and table linen, track suits, comforters, blankets	not to be ironed, thick multi-ply
Steam Cycles		
Steam Refresh	Cotton, cotton–polyester blends, common knits and synthetic shirts, cotton blend pants, skirts, t–shirts and pullovers. Wrinkle free fabrics give best results. Helps smooth out wrinkles and reduce odors. Use with a light load, such as one consisting of 3 to 4 shirts. Program time is about 16 minutes.	
Steam Wrinkle relax	Helps smooth out wrinkles. Use with a light load, such as one consisting of 3 to 4 shirts. Program time is about 12 minutes.	
Steam Touch up	This program is used to refresh a cotton textile load that has been dried and has been left in the drum of the dryer at the end of the cycle overnight. This 20 minute program refreshes the load to help smooth out the wrinkles caused by the load pressing down under its own weight.	
	Clothing containing foam, rubber, or plastic must be refreshed on a clothes–line or by using the Air–fluff/No heat cycle as these articles may ignite due to the heat of the Steam program.	
Special Programs		
Wool	Washable woolen textiles (e.g. sweaters, woolen pullover, skirts) Dry woolen or wool–rich textiles with dryer rack only!	
Jeans (500 Series)	Heavy jean fabric	
Dark Color (800 Series)	Dark colored textiles (e.g. heavy, dark clothes (cotton))	
Active Wear (800 Series)	Small loads, loads that need a short drying time (e.g. sports shirts, work–out clothes (polyester, nylon, synthetic))	
Time Programs		
20, 40 min., 60 min. (300/500 Series) Medium + required drying time (800 Series) (800 Series) If you choose a program with variable time (e.g. time programs, wool care) the display starts to flash. You have to set the time.	Pre-dried textiles with low moisture content, individual small items, e.g. bath towels, bathing suits, dish cloths. For the smallest loading condition from 0.22 lb – 0.44 lb (i. e. one small towel), for this a time dry program should be selected. Press the “Delicates” button for temperature-sensitive textiles option. – Cottons and coloreds made of cotton or linen.	
Air fluff / No heat (300/500 Series) Air fluff / No heat + required time (800 Series)	Freshening or airing little–worn items of clothing and drying of extremely sensitive textiles. For all textile types including foam rubber (e.g. pillows, stuffed toys), plastic (e.g. shower curtains, table clothes), rubber (e.g. backed rugs), sheer nylon, olefin.	

Additional options 800 Series

i Additional options can only be set after a drying cycle has been selected. Turn the cycle selector to the desired drying cycle, then select desired options from the LCD menu.



Select the option to be changed with the “Menu” button. Press the button to move to the next option on the display. The active symbol flashes.



The setting for the selected option is displayed on the right hand side of the LCD display.

When actively displayed, a setting can be changed with the “Select” button. Press the “Select” button to display the next possible setting.

i Pressing the “Menu” button while an option is displayed saves the new setting.

i If you don't press any button for 10 seconds, the settings are saved automatically.

Symbol	Function	Settings	Explanation	
	Sets the delay start time of the dryer (Start in .. hours!)	0–12 h (0.5 h steps)		
	Extra care (more gentle than “Delicates”)	On/Off	If you have chosen the additional option “Extra care”, the “Delicates” indicator light illuminates. Pressing the “Delicates” button cancels the additional option “Extra care”.	
	Child-proof lock (only effective while the program is running)	On/Off	This additional option allows you to lock your settings to prevent unintended use of the dryer. To start the dryer when the Safety guard is active: Press and hold the “Start/Pause” button for 4 seconds. To unlock this additional option when the dryer is running: Press and hold the “Start/Pause” button for 4 seconds.	
	Extra Drying Time User selectable degree of dryness	0, 1, 2, 3 (0=default, 1=dryer, 3=dryest)	If you have chosen one of the Extra Drying Time values (steps 1 to 3), the symbol ☀ is displayed. 0 is the standard setting – symbol ☀ is not displayed.	
	Volume of the end signal and the damp dry signal	Off, medium, maximum	Your dryer outputs different signals for certain events as listed below.	
<p>Signal Behavior at the End of the Selected Cycle</p> <p>The signal will sound when the cycle is finished to notify the user that the cycle has ended. Wrinkle Block will tumble the load periodically for approximately one hour after the cycle ends. The signal will sound at intervals during Wrinkle Block as a reminder the load is finished.</p>			Event	Signal
			Enable Signal	Short tone
			Disable Signal	Two short tones
			Start of Cycle	Short tone
			End of Cycle (or during Wrinkle Block)	Sequence of short tones
			Mal-Operation	Sequence of long tones
			Warning of Malfunction	Sequence of long tones (maximum volume)
	Spin speed optimized drying time coordinates the remaining time displayed for the dryer to the spin speed at which the laundry was previously spun in the washing machine	400 600 800 1000 1200	To optimize the remaining time display, the spin speed at which the laundry was previously spun in the washing machine can be entered by the user.	

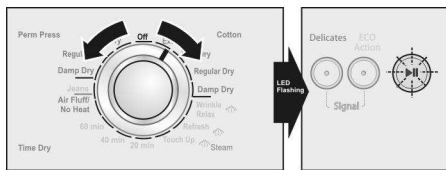
Operation

Using the dryer

1. Open the door.
2. Check lint filter.

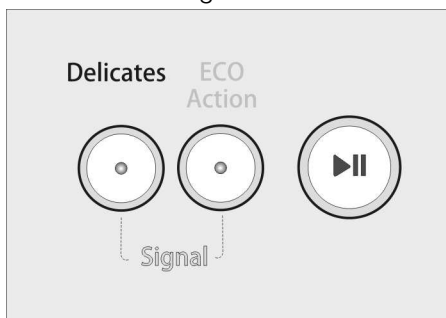
The filter should be cleaned before drying each laundry load. Cleaning the filter reduces the drying time and saves energy. (See page 27 for lint filter cleaning instructions).

- i** Bleach may cause discoloration of the dryer's colored surface. Therefore, it is important to keep bleach away from the colored surface of your dryer. If any bleach spills on the surface, immediately use a moist paper towel to thoroughly clean it.



3. Rotate the cycle selector to the desired drying cycle. Select the program which corresponds to the laundry in the dryer from the cycle selection table (see page 24). The dryer light turns on inside the drum when a cycle is selected.

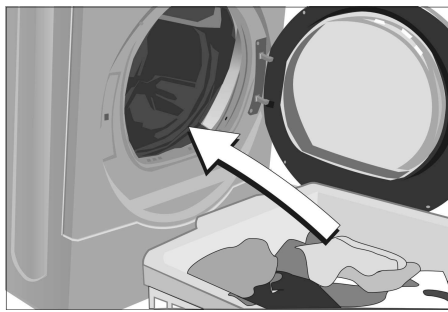
- i** The "Start/Pause" indicator light starts flashing.



4. If required, select an available option ("Delicates" or "ECO Action") by pressing the corresponding button (see figure above).

The effect of each option button is explained on page 89.

- i** The estimated remaining time will be displayed.



5. Place laundry in the empty drum. Put each piece of laundry into the machine separately to reduce clumping together.

For best results, the laundry to be dried must be sorted according to type of laundry and desired degree of drying. For further information, see page 21.

- i** Observe clothing and fabric manufacturers' laundering instructions. If drying woolen clothing and shoes, see the information on page 28.
- i** Ensure that there is only laundry in the drum. Check that all items are completely in the drum and that none are caught between the door and the dryer housing or door seal.

6. Close the door.

The "Start/Pause" indicator light continues flashing.

7. Press the "Start/Pause" button. The selected cycle begins and the "Start/Pause" indicator light stops blinking and stays lit.

- i** If the door has not been closed properly, the dryer will not start.

- i** The cycle starts with an acoustic signal (if set). See page 22 for how to set the signal for dryers with an LED display, and page 25 for how to set and adjust the signal for dryers with an LCD display.

Cycle Progress LED Indicators

If a standard drying cycle (not a time dry cycle) has been selected, the indicator lights indicate the progress of the cycle sequence. The LED sequence shown below is for the 500 and 800 Series dryers. The 300 Series dryer has LED's for "Drying" and "Wrinkle Block/Finished".



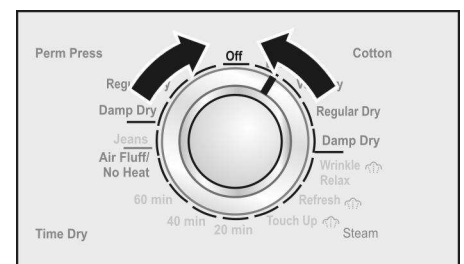
- i** At the end of the cycle, an acoustic signal is emitted (if set) and the LED "Wrinkle Block/Finished" illuminates.

The acoustic signal will continue to sound intermittently during Wrinkle Block.

- i** When the drying process is complete (cycle or selected time ended), the drum rotates at specific intervals for 1 hour due to the Wrinkle Block feature. This prevents the laundry from creasing. The laundry remains loose and fluffy until it is removed. The laundry should be removed before this time has elapsed.

8. Open the door.

9. Take the laundry out of the dryer.



10. Rotate the program selector to "Off".
The dryer light goes out.
11. Clean the filter.
The filter should be cleaned after each drying process. Cleaning the filter reduces the drying time and saves energy.
12. Close the door.

Cleaning the lint filter

A dirty filter extends the drying time and increases energy consumption. The filter should be cleaned before each laundry load.

If a warning signal and a "CLn" or "E:12" warning message are emitted during a drying program, clean the filter immediately and check the exhaust duct.

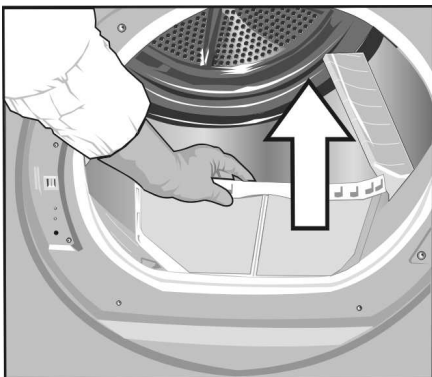
i The program interrupts automatically.

Do not rinse or wash the screen to remove lint. Wet lint is harder to remove. Roll the dry lint off with your fingers. You can moisten your fingers lightly for better results.

To clean the lint filter follow these steps:

1. Switch off the dryer by turning the program selector to "Off".

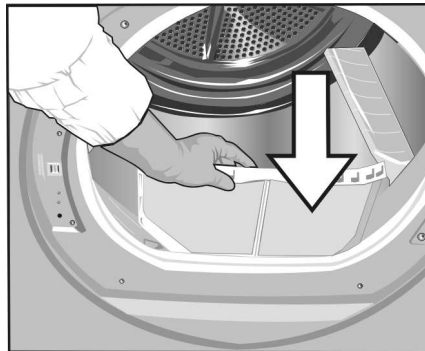
2. Open the door.
3. Remove the lint filter.



4. Remove lint by stroking your hand over the filter.



5. Insert the filter.



6. Close the door.

i Do not operate the dryer without the lint filter in place!

Removing Residue Buildup

Laundry detergent and fabric softener can build up on the lint filter screen. This buildup can cause longer drying times. Use of dryer sheets is not recommended. If you choose to use dryer sheets, please clean the lint filter periodically to remove residue.

i If lint falls off the screen while it is in the dryer, residue buildup probably needs to be removed.

The filter should be lightly scrubbed at least twice a year with warm soapy water. A filter with residue buildup will tend to hold water even though the mesh is lint free. The filter is clean when it no longer holds water. The filter must be dried thoroughly before being inserted back into the dryer.

To remove residue, follow these steps:

1. Clean all lint from the lint filter.
2. Wet both sides of the filter mesh with hot water.
3. Wet a soft nylon brush with hot water and liquid detergent.
4. Lightly scrub the lint screen with the brush to remove residue buildup. Be careful not to damage the screen.
5. Rinse the screen with hot water.
6. Thoroughly dry the lint screen with a clean towel.
7. Replace the lint filter back into the dryer.

i Do not operate the dryer without the lint filter in place!

Using the dryer rack

(Option, see page 18)

Use the dryer rack to dry washable woolen textiles (e.g. sweaters) and shoes. The dryer rack remains stationary while the drum rotates.

Damp wool should not be tumbled dry in the drum, as it has a tendency to matt and shrink. Drying shoes without a rack could damage the drum.

i The dryer rack must be used for drying with the wool cycle. If the rack is not used, the sensor will shut the dryer off after approximately 3 minutes and the display will show “----”.

NOTICE

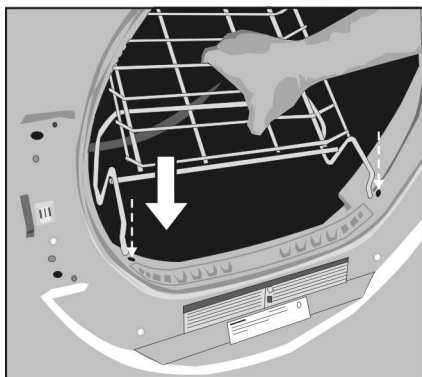
Dry only one item of clothing or one pair of shoes – maximum dry load 2.2 lbs (1 kg)! The laundry must have been spun! Only dry prewashed shoes! The laundry must not touch the drum! It could jam and be damaged. After using the dryer rack, take it out of the dryer immediately.

Inserting the dryer rack

1. Open the dryer door.
2. Check that the drum is empty.



3. Hold the dryer rack by the center section as shown below and insert it horizontally all the way into the drum. Then bring it back towards the front and align the forward ends with the two holes beside the lint filter.



4. With the forward ends engaged in the holes, lower the back of the rack so that it sits in place, braced against the inner surface of the dryer housing.

Drying laundry items on the dryer rack

1. Fold your laundry so it fits on the dryer rack.
2. Laundry items should be placed so they lay loosely on the dryer rack. Do not stack laundry so that it is compressed on the rack. Do not allow the laundry items to touch the drum. Laundry items must only touch the rack and should not hang over the edges of the rack.
3. Close the door, making sure no laundry is caught between the door and the housing or door seal.
4. For wool items, select the Wool cycle, if available. For other items, select one of the time cycles.

Select the drying time according to the laundry type.

Drying shoes on the dryer rack:

1. Prepare shoes.
 - Clean shoes to prevent the drum from becoming soiled.
 - If preparing sports shoes for drying, extend the tongue.
 - Loosen or remove shoe-laces.
 - Remove insoles and heel pads.
2. Place shoes on the rack.
 - Directly on the dryer rack
or
 - Roll up a towel and place the heels of the shoes on the towel. This will ensure a more uniform drying result.
3. Close the door.
4. Press the “**Start/Pause**” button. The “Start/Pause” indicator light illuminates.
5. If the shoes still contain residual moisture after the indicated drying time:
 - Reorient the shoes on the drying rack.
 - Restart the program and reduce the drying duration depending on the degree of residual moisture.
6. After drying air the shoes at room temperature for approximately 30 minutes.
7. Take the dryer rack out of the drum.

Cleaning and care

Cleaning the dryer

WARNING

TO AVOID RISK OF EXPLOSION!

Never use solvents or highly flammable liquids for cleaning.

NOTICE

Incorrect cleaning may damage the dryer. Do not spray with a pressure washer. Do not use scouring agents or all-purpose cleaners. Do not use steam cleaners.

Wipe the housing and the control panel with a soft cloth and soapy water only. Wipe the drum, door seal and inside of the door with a damp cloth only.

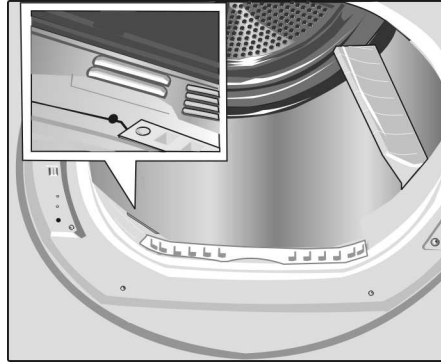
Cleaning the exhaust duct

Inspect and clean the exhaust ducting at least once a year to prevent clogging. A partially clogged exhaust will lengthen the drying time and will result in poor performance of the dryer.

- Turn off the circuit breaker
- Unplug the dryer from the power supply.
- Disconnect the duct from the dryer.
- Vacuum the inside of the duct to remove any accumulation of lint or debris .
- Reconnect the duct.
- Professional duct cleaning is recommended. See page 17.

Cleaning the moisture sensor

The moisture sensor has to be cleaned periodically because a fine layer of transparent buildup is deposited on the sensors.



This deposit can easily be removed by wiping the sensors (the two bars next to the lint filter) with a cloth and a little white vinegar.

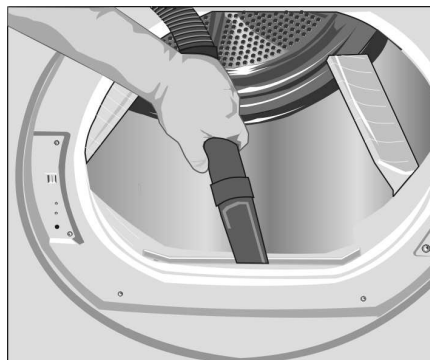
Use white vinegar only!

Clean the moisture sensor once a month.

Cleaning the lint filter housing

Lint and small debris may accumulate in the lower portion of the lint filter opening. With the lint filter removed, accumulated lint can be seen and easily removed with a vacuum cleaner using a narrow crevice cleaning tool.

If you do not have a crevice cleaning tool that will reach to the bottom of the opening, you may contact Customer Service for a list of sources and recommended attachments.



Any accumulation of lint or debris should be removed at least once a month using your vacuum cleaner.

Cleaning the Steam nozzle

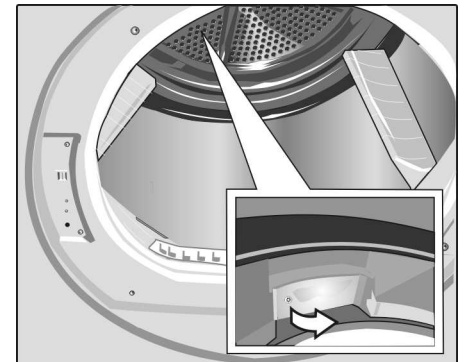
Once a year, inspect the nozzle outlet. If you suspect blockage, wipe the outside of the nozzle with a cloth moistened with vinegar. If the nozzle is completely blocked, consult the troubleshooting guide (see page 31) for removal and cleaning instructions. If the nozzle remains blocked, call customer service (see page 32).

Change the light bulb

The dryer light turns on inside the drum when you open the door and stays on for about 5 minutes or until the door is closed. The light turns off about 4 seconds after the door is closed.

To change the light bulb:

- Set program selector to "Off".
- Turn off the circuit breaker.
- Unplug the dryer from the power supply.
- Open the door and locate the dryer light on the upper left side of the seal.



- Loosen the screw and open the dryer light cover.
- Turn bulb counterclockwise. Replace the bulb with a new appliance bulb only (obtainable through parts department).
- i** Parts are available at www.boschappliances.com or by calling 1-800-944-2904.
- Replace the cover and secure with the screw.
- Plug the dryer back into the power supply.
- Turn on the circuit breaker.

Troubleshooting



WARNING

TO AVOID RISK OF ELECTRICAL SHOCK! Repairs or replacement of parts shall be carried out by qualified technicians or licensed electricians only.

Before calling Customer Service, check whether you can rectify the fault yourself by means of the following table.

If a fault cannot be rectified or a repair is required:

1. Set program selector to "Off".
2. Turn off the circuit breaker.
3. Pull the main plug out of the socket.
4. Call customer service (see page 32).

Troubleshooting items listed below may not be covered by warranty service

Please rule out any of these issues before calling for service.

Problem	Possible cause	Remedial action
Dryer does not start. "Start/Pause" indicator light does not illuminate.	Main plug not inserted at all or not inserted correctly.	Insert main plug correctly.
	A fuse or circuit breaker has tripped.	Replace fuse or reset circuit breaker.
	"Start/Pause" button not pressed.	Press "Start/Pause" button.
	No program selected.	Select program.
	Door not closed.	Close door.
	Ambient temperature below 41°F (5 °C.)	Increase room temperature.
Laundry is wet after drying.	The shut-off valve is closed.	Open the shut-off valve.
Cycle has been interrupted. A warning signal is emitted and the display shows "CLn".	Lint filter dirty.	Clean the lint filter as described on page 27. Switch the dryer off/switch on again. If this does not clear the error code, call Customer Service (pg. 32).
Cycle has been interrupted. A warning signal is emitted and the display shows "E:12".	Exhaust air duct is blocked or too long.	Clean exhaust air duct. Reduce exhaust air duct to maximum length as described on page 17. Switch the dryer off/switch on again.
	Fault in program sequence or malfunction.	Switch off dryer, leave to cool down for 30 min, switch on again. Restart program.
	The room/cabinet is not adequately ventilated.	Provide an adequate supply of fresh air. Switch off/switch on again.
Degree of drying has not been reached or the drying time is too long. Display may indicate "E:03".	Moisture sensor dirty.	Clean moisture sensor as described on page 29. Switch the dryer off/switch on again.
	Exhaust air duct is blocked or is too long.	Clean exhaust air duct. Reduce exhaust air duct to maximum length as described on page 17. Switch the dryer off/switch on again.
	Lint filter dirty.	Clean filter as described on page 27. Switch the dryer off/switch on again.
	Laundry was too wet.	Spin laundry at higher speed in the washing machine. Switch the dryer off/switch on again.
	Unsuitable program selected.	Select program with aid of the program selection table (see page 22). Switch the dryer off/switch on again.
	Maximum drying time was exceeded.	Clean lint filter (see page 27). Check exhaust air duct. Spin laundry at a higher speed in your washer.
	Motor limit temperature was exceeded.	Switch off dryer, leave to cool down for 30 min. Switch on again. Start program.
	Degree of dryness not correctly set	800 Series, Change settings for degree of dryness, see page 25

Troubleshooting (continued)

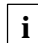
Problem	Possible cause	Remedial action
Drum light does not function.	No program selected.	Select program.
	Light bulb defective, light bulb burned out.	Replace burned out bulb and reinstall the cover as directed on page 29.
	No power supply.	Check power supply.
	Light bulb is loose.	Remove the bulb cover and if bulb is loose, tighten bulb. Reinstall the cover as directed on page 29.
"Start/Pause" indicator light does not illuminate. "Wrinkle Block/Finished" indicator lights. The display shows "000".	Fault in program sequence or malfunction.	Switch off dryer, leave to cool down for 30 min, switch on again. Restart program.
Lint filter LED is blinking after the lint filter has been cleaned	Blinking of lint filter LED is not an indication of a problem. It is used only as a reminder.	No action required. Light will stop blinking.
Display shows "----".	Laundry detected in drum during wool program (laundry not on rack)	Place laundry on dryer rack. Restart program.
Unusual noise: thumping sound	Drum suspension rollers need time to warm up.	No action required. As suspension system rollers warm up thumping will decrease and should stop within 2 to 3 minutes of dryer use
Unusual noise: Steady vibration, rocking of the dryer	Dryer is not level.	Level the dryer (see user manual section "Installation Instructions")
Unusual noise: Rhythmic vibration	Laundry balled up causing load to bounce.	Stop dryer, separate load items, restart dryer.
Water is not sprayed into the unit during Steam cycles	Water tap(s) not turned on.	Turn on water tap.
	Nozzle does not spray water adequately.	Wipe the outside of the nozzle with a cloth moistened with vinegar. If this does not restore the nozzle to spraying, see "Blocked nozzle" remedial action below.
	Blocked nozzle	Remove the nozzle using a 7/16 inch (11 mm) socket wrench. Place the nozzle into a container filled with enough white vinegar to cover the nozzle. Allow the nozzle to soak for five minutes, then scrub the nozzle tip gently with a toothbrush to remove residue. Rinse the nozzle and reinsert it back into the dryer and hand tighten, then tighten 1 additional turn with the wrench.
LED or button illuminated on control panel when Cycle Selector is turned to "Off" position	Fault condition	Turn off the circuit breaker and call Customer Service (pg. 32).

SERVICE and REPAIR

WARNING

WARNING – Label all wires prior to disconnection when servicing controls. Wiring errors can cause improper operation that could cause serious damage to the appliance or personal injury. Verify proper operation after servicing.

Bosch dryers require no special care other than the care and cleaning noted in the Cleaning and Care section.

 If you are having a problem with your dryer, please refer to the troubleshooting table on page 30, before calling for service.

If service becomes necessary, contact your dealer or installer or an authorized service center. Do not attempt to repair the appliance yourself. Any work performed by unauthorized personnel may void the warranty.

If you are having a problem with your Bosch dryer and are not pleased with the service you have received:

- First, please contact your installer or the Bosch Authorized Service Contractor in your area and explain to them why you are not satisfied. This will usually correct the problem.

- If, after working with your installer or service person, the problem still has not been resolved to your satisfaction, please let us know by either writing to us at,

BSH Home Appliances Corporation
5551 McFadden Avenue
Huntington Beach, CA 92649

or, calling us at

1-800-944-2904.

Please be sure to include (if writing) or have available (if calling) the following information:

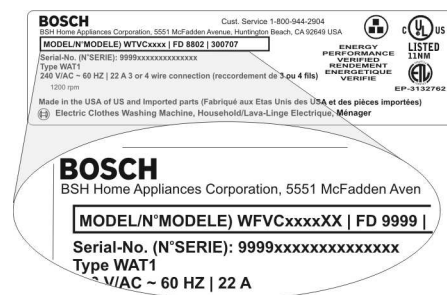
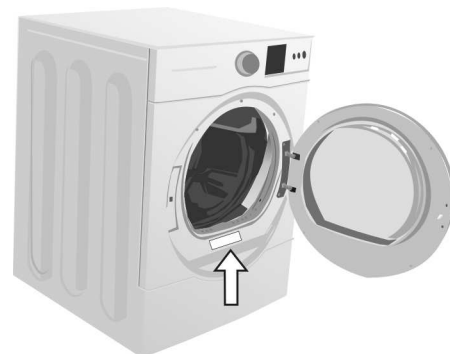
- Model Number
- Serial Number
- Date of Original Purchase
- Date Problem Originated
- Explanation of Problem

Also, if writing, please be sure to include a daytime telephone number and a copy of the sales invoice.

You will find the model number and serial number information on the rating plate located on the inside of the front panel.

The image below shows the approximate location of the rating plate. The model number has a rectangle around it. The serial number is located below the model number.

An example is shown below.



The manufacturer reserves the right to make changes in the product or manual without notification.

STATEMENT OF LIMITED PRODUCT WARRANTY

Bosch Clothes Dryer

What this Warranty Covers & Who it Applies to: The limited warranty provided by BSH Home Appliances Corporation (Bosch) in this Statement of Limited Product Warranty applies only to the Bosch Clothes Dryer (“Product”) sold to you, the first using purchaser, but strictly conditioned on the Product having been purchased: (1) for your normal, household (non-commercial) use, and has in fact at all times only been used for normal household purposes (any commercial use or setting of the Product automatically voids the warranty); (2) new at retail (not a display, “as is”, or previously returned model) purchased directly by the end-user consumer, and not for resale, or commercial use; and (3) within the United States or Canada, and has at all times remained within the country of original purchase. The warranties stated herein apply only to the first purchaser of the Product and are not transferable. Bosch reserves the right to request proof of purchase at the time any warranty claim is submitted to confirm that the Product falls within the scope of this limited product warranty. The warranty is automatically void if the Product was a display model, sold “as is”, tampered with, a damaged or “scratch and dent” model, or a previously returned model, a free give-away, charitable donation or contest prize.

- Please make sure to return your registration card; while not necessary to effectuate warranty coverage, it is the best way for Bosch to notify you in the unlikely event of a safety notice or product recall.

How Long the Warranty Lasts: Bosch warrants that the Product is free from defects in materials and workmanship for a period of three hundred sixty-five (365) days from the date of purchase. The foregoing timeline begins to run upon the date of purchase, and shall not be stalled, tolled, extended, or suspended, for any reason whatsoever.

Repair/Replace as Your Exclusive Remedy: During this warranty period, Bosch or one of its authorized service providers will repair your Product without charge to you (subject to certain limitations stated herein) if your Product proves to have been manufactured with a defect in materials or workmanship. If reasonable attempts to repair the Product have been made without success, then Bosch will replace your Product (upgraded models may be available to you, in Bosch’s sole discretion, for an additional charge). All removed parts and components shall become the property of Bosch at its sole option. All replaced and/or repaired parts shall assume the identity of the original part for purposes of this warranty and this warranty shall not be extended with respect to such parts. Bosch’s sole liability and responsibility hereunder is to repair manufacturer-defective Product only, using a Bosch-authorized service provider during normal business hours. For safety and property damage concerns, Bosch highly recommends that you do not attempt to repair the Product yourself, or use an un-authorized servicer; Bosch will have no responsibility or liability for repairs or work performed by a non-authorized servicer. If you choose to have someone other than an authorized service provider work on your Product, **THIS WARRANTY WILL AUTOMATICALLY BECOME NULL AND VOID.** Authorized service providers are those persons or companies that have been specially trained on Bosch products, and who possess, in Bosch’s opinion, a superior reputation for customer service and technical ability (note that they are independent entities and are *not* agents, partners, affiliates or representatives of Bosch). Notwithstanding the foregoing, Bosch will not incur any liability, or have responsibility, for the Product if it is located in a remote area (more than 100 miles from an authorized service provider) or is reasonably inaccessible, hazardous, threatening, or treacherous locale, surroundings, or environment; in any such event, if you request, Bosch would still pay for labor and parts and ship the parts to the nearest authorized service provider, but you would still be fully liable and responsible for any travel time or other special charges by the service company, assuming they agree to make the service call.

Extended Limited Warranty:

LENGTH OF WARRANTY	SCOPE OF WARRANTY
2 Year Limited Warranty From Date of Purchase	Bosch will provide replacement parts, free of charge, for any component part that proves defective under conditions of normal home use during the first two years from the date of purchase, normal (non-expedited) shipping costs included, labor charges excluded.
2 Year Limited Warranty on Electronics From Date of Purchase	Bosch will repair or replace, free of charge, any microprocessor or printed circuit board that proves defective under conditions of normal home use during the first two years from the date of purchase, labor charges excluded.
2 Year Limited Warranty on Motor From Date of Purchase	Bosch will repair or replace, free of charge, any motor or component part of the motor that proves defective under conditions of normal home use during the first two years from the date of purchase, labor charges excluded.

Out of Warranty Product: Bosch is under no obligation, at law or otherwise, to provide you with any concessions, including repairs, pro-rates, or Product replacement, once this warranty has expired.

Warranty Exclusions: The warranty coverage described herein excludes all defects or damage that are not the direct fault of Bosch, including without limitation, one or more of the following: (1) use of the Product in anything other than its normal, customary and intended manner (including without limitation, any form of commercial use, use or storage of an indoor product

outdoors, use of the Product in conjunction with air or water-going vessels); (2) any party's willful misconduct, negligence, misuse, abuse, accidents, neglect, improper operation, failure to maintain, improper or negligent installation, tampering, failure to follow operating instructions, mishandling, unauthorized service (including self-performed "fixing" or exploration of the appliance's internal workings); (3) adjustment, alteration or modification of any kind; (4) a failure to comply with any applicable state, local, city, or county electrical, plumbing and/or building codes, regulations, or laws, including failure to install the product in strict conformity with local fire and building codes and regulations; (5) ordinary wear and tear, spills of food, liquid, grease accumulations, or other substances that accumulate on, in, or around the Product; and (6) any external, elemental and/or environmental forces and factors, including without limitation, rain, wind, sand, floods, fires, mud slides, freezing temperatures, excessive moisture or extended exposure to humidity, lightning, power surges, structural failures surrounding the appliance, and acts of God. In no event shall Bosch have any liability or responsibility whatsoever for damage to surrounding property, including cabinetry, floors, ceilings, and other structures or objects around the Product. Also excluded from this warranty are scratches, nicks, minor dents, and cosmetic damages on external surfaces and exposed parts; Products on which the serial numbers have been altered, defaced, or removed; service visits to teach you how to use the Product, or visits where there is nothing wrong with the Product; correction of installation problems (you are solely responsible for any structure and setting for the Product, including all electrical, plumbing or other connecting facilities, for proper foundation/flooring, and for any alterations including without limitation cabinetry, walls, floors, shelving, etc.); and resetting of breakers or fuses. TO THE EXTENT ALLOWED BY LAW, THIS WARRANTY SETS OUT YOUR EXCLUSIVE REMEDIES WITH RESPECT TO PRODUCT, WHETHER THE CLAIM ARISES IN CONTRACT OR TORT (INCLUDING STRICT LIABILITY, OR NEGLIGENCE) OR OTHERWISE. THIS WARRANTY IS IN LIEU OF ALL OTHER WARRANTIES, WHETHER EXPRESS OR IMPLIED. ANY WARRANTY IMPLIED BY LAW, WHETHER FOR MERCHANTABILITY OR FITNESS FOR A PARTICULAR PURPOSE, OR OTHERWISE, SHALL BE EFFECTIVE ONLY FOR THE PERIOD THAT THIS EXPRESS LIMITED WARRANTY IS EFFECTIVE. IN NO EVENT WILL THE MANUFACTURER BE LIABLE FOR CONSEQUENTIAL, SPECIAL, INCIDENTAL, INDIRECT, "BUSINESS LOSS", AND/OR PUNITIVE DAMAGES, LOSSES, OR EXPENSES, INCLUDING WITHOUT LIMITATION TIME AWAY FROM WORK, HOTELS AND/OR RESTAURANT MEALS, REMODELLING EXPENSES IN EXCESS OF DIRECT DAMAGES WHICH ARE DEFINITELY CAUSED EXCLUSIVELY BY Bosch, OR OTHERWISE. SOME STATES DO NOT ALLOW THE EXCLUSION OR LIMITATION OF INCIDENTAL OR CONSEQUENTIAL DAMAGES, AND SOME STATES DO NOT ALLOW LIMITATIONS ON HOW LONG IMPLIED WARRANTY LASTS, SO THE ABOVE LIMITATIONS MAY NOT APPLY TO YOU. THIS WARRANTY GIVES YOU SPECIFIC LEGAL RIGHTS, AND YOU MAY ALSO HAVE OTHER RIGHTS, WHICH VARY FROM STATE TO STATE. No attempt to alter, modify or amend this warranty shall be effective unless authorized in writing by an officer of BSH.

How to Obtain Warranty Service: To obtain warranty service for your Product, you should contact the nearest Bosch authorized service center.

BSH Home Appliances Corporation – 5551 McFadden Avenue, Huntington Beach, CA 92649 / 800-944-2904

Dispositifs et avantages de votre nouveau sèche-linge

Technologie ActiveDry™

Les niveaux d'humidité et de température sont constamment surveillés pour obtenir des résultats de séchage précis avec une vaste gamme de textiles. Tout le linge, des t-shirts à la layette de bébé, sort chaud et doux quand vous le voulez.

Une surveillance permanente garantit la consommation d'énergie la plus faible possible et réduit le gaspillage de jusqu'à 50 % par an.

EcoSmart™

La technologie EcoSmart™ du sèche-linge Bosch Vision utilise un réseau de capteurs pour les cycles qui consomment le moins d'énergie possible tout en maintenant une performance de séchage de qualité supérieure. Le sèche-linge s'ajuste au degré d'humidité du linge et règle la température afin d'éviter les surchauffes. Il n'est donc pas étonnant que Bosch vende les sèche-linge les plus performants sur le marché.

EcoAction™

Cette option vous donne la capacité de réduire la consommation d'énergie d'un taux pouvant atteindre 10 %. La sélection de cette option permet de réduire la température afin d'économiser les ressources tandis que la durée du cycle est légèrement prolongée pour assurer un séchage efficace.

DynamicAir™

Le système Bosch Vision DynamicAir™ produit une chaleur douce et un volume d'air élevé à l'intérieur d'un tambour de séchage le plus doux possible. Seul Bosch Vision est en mesure d'offrir un tambour de séchage en une seule pièce doté d'un écran arrière à trous afin d'assurer une distribution d'air uniforme sur votre linge, pour un séchage le plus doux et efficace possible.

Wrinkle Block®

Sometimes you can't get your laundry right when the buzzer rings. Wrinkle Block® gives you one hour of intermittent tumbling, preventing creases from setting in and, ultimately, reducing ironing time.

Tambours en acier inoxydable

Le tambour du lave-linge Vision d'acier inoxydable pour le plus léger de soin.

Charnière de hublot avec ouverture à 160°

Le hublot du sèche-linge s'ouvre à 160° facilitant ainsi le chargement et le déchargement du linge. Le hublot du lave-linge et celui du sèche-linge s'ouvrent dans des directions opposées. Ainsi, lorsque les appareils sont installés côte à côte, le transfert du linge mouillé dans le sèche-linge ne demande aucun effort.

Fonctionnement silencieux

Les appareils de buanderie de Bosch utilisent des moteurs sans balais, des systèmes de pompe suspendus et un matériau insonorisant spécial qui leur permettent de rester exceptionnellement silencieux en fonctionnement. Un fonctionnement silencieux signifie qu'ils peuvent être installés pratiquement n'importe où à l'intérieur de la maison sans gêner personne.

Râtelier de séchage

La grille de séchage protège les tissus les plus délicats ou les chaussures de sport par exemple, en permettant de faire sécher ces articles sans culbutage. Cette grille est livrée en standard sur le modèle Premium et disponible comme accessoire sur tous les modèles.

Filtre à charpie

Le filtre à charpie du sèche-linge a l'avantage de se trouver dans le bâti de l'appareil sous le hublot du sèche-linge pour un accès facile. Le filtre en toile métallique peut même emprisonner les plus petites particules de charpie. Et pour augmenter l'efficacité de séchage, le panneau de commandes comporte une DEL pour le filtre à charpie qui s'allume si le filtre a besoin d'être immédiatement nettoyé.

Cycle vapeur

Les cycles Steam proposés sur certains modèles de choix utilisent de la vapeur d'eau supplémentaire pour détendre les tissus, éliminer les plis et rafraîchir les articles de linge en coton mélangé afin de réduire les odeurs.

AVERTISSEMENT: Assurez-vous de bien suivre les instructions données dans cette notice pour réduire au minimum le risque d'incendie ou d'explosion ou pour éviter tout dommage matériel, toute blessure ou la mort.

- **N'entreposer pas et n'utilisez pas d'essence ni d'autres vapeurs ou liquides inflammables dans le voisinage de cet appareil et de tout autre appareil.**
- **QUE FAIRE SI VOUS SENTEZ UNE ODEUR DE GAZ:**
 - Ne tentez pas d'allumer d'appareil.**
 - Ne touchez à aucun interrupteur. Ne vous servez pas des téléphones se trouvant dans le bâtiment où vous vous trouvez.**
 - Evacuez la pièce, le bâtiment ou la zone.**
 - Appelez immédiatement votre fournisseur de gaz depuis un voisin. Suivez les instructions du fournisseur.**
 - Si vous ne pouvez rejoindre le fournisseur de gaz, appelez le service des incendies.**
- **L'installation et l'entretien doivent être assurés par un installateur ou un service d'entretien qualifié ou par le fournisseur de gaz.**

Table des matières

Définitions	37
INSTRUCTIONS DE SÉCURITÉ IMPORTANTES	38
Instructions de mise à la terre	39
Instructions d'installation	40
Introduction	40
Informations sur la mise au rebut	40
Avant d'installer le sèche-linge	40
Installation pas à pas	41
Lieu d'installation	41
Dryer Dimensions	41
Inversement de la charnière du hublot	42
Installation Types	45
Branchement électrique	48
Branchement du gaz	48
Raccordement du conduit d'échappement	49
Accessoires	51
Préparation pas à pas au transport du sèche-linge	53
INSTRUCTIONS D'UTILISATION	54
Le bandeau de commande	54
Informations de sécurité supplémentaires	55
Protection de l'environnement	55
Linge	55
Détermination de la nature du tissu	55
Conseils pour le séchage	55
Sélection du programme	56
Options (Delicates, ECO Action)	56
Voyants DEL de séquence de cycle	57
Tableau de sélection de cycle	58
Ciclos automatiques	58
Ciclos Steam	58
Special cycles	58
Ciclos assortis d'une durée	58
Options supplémentaires sur le menu ACL	58
Utilisation	60
Utilisation du sèche-linge	60
Nettoyage du filtre à peluches	61
Utilisation du tiroir de séchage (options)	62
Nettoyage et entretien	63
Nettoyage du sèche-linge	63
Nettoyage du conduit d'échappement	63
Nettoyage des capteurs d'humidité	63
Nettoyage de la flasque	63
Nettoyage du tube à vapeur	63
Changer l'ampoule de l'éclairage	63
Dérangement et remèdes	64
SERVICE ET RÉPARATIONS	66
ÉNONCÉ DE GARANTIE DE PRODUIT LIMITÉE	67

Félicitations !

Votre nouveau sèche-linge est un appareil électroménager moderne de premier choix.

Ce sèche-linge se conforme à la norme: ANSI Z21.5.1/ CSA 7.1 Gas Clothes Dryers, Vol. I.

Ce sèche-linge offre une caractéristique particulièrement intéressante: il consomme peu d'énergie.

Une philosophie de fonctionnement simple, tout un éventail de programmes de séchage personnalisés et un agréable retour haptique attestant de la robustesse de l'appareil font de ce dernier un assistant pratique au service de votre foyer.

Les sèche-linge Bosch proposent les fonctionnalités standard suivantes :

- Système de séchage hautement efficace et précis.
- Le grand tambour d'acier inoxydable avec une capacité d'augmente à 17,6 livres (8 kg).
- Hublot grand format (16 po/406 mm), et dispositif de verrouillage « interlock » avec arrêt automatique de la fonction du tambour.
- Fonctionnement extrêmement silencieux.
- Cycles automatiques contrôlés par des capteurs.
- Cycles chronométrés
300 et 500 Series sèche-linge: 20, 40 et 60 minutes
800 Series sèche-linge: 10 à 150 minutes (dans le graduations de 10 minutes)
- Le programme court pour ½ chargement (25 minutes) (800 Series seulement)
- La fonction Wrinkle Block® (Antifroissage) permet de faire sécher les vêtements par culbutage périodique au plus pendant une heure en fin de séchage afin de réduire les plis.

Chaque sèche-linge quittant notre usine a subi des tests complets de performances et se trouve en parfait état de marche. Si vous souhaitez formuler quelque question que ce soit notamment sur l'installation de votre sèche-linge, notre équipe du service après-vente se fera un plaisir d'y répondre.

Vous trouverez d'autres informations et tout un choix de nos produits sur le site Web suivant:

www.boschappliances.com

Information

Veuillez s.v.p. lire et respecter l'intégralité de cette notice d'installation et d'utilisation, ainsi que toutes les informations qui ont été fournies avec ce sèche-linge.

Modèles couverts par ce manuel

L'exposition tape

Les instructions dans ce manuel se réfèrent à dryers avec deux types d'exposition différents.

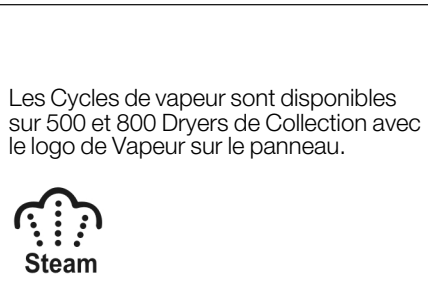


300 et 500 dryers de Collection a une exposition MENEÉ



800 Dryers de Collection a une exposition d'affichage à cristaux liquides

L'installation, fonctionnant et les instructions d'entretien sont le même pour dryers avec ou le type d'exposition sauf où réputé. L'affichage à cristaux liquides opération de menu plus sèche et les options liées sont décrits dans la 800 Collection section d'Options Supplémentaire de ce manuel.



Further information and a selection of our products can be found on our web site:

www.boschappliances.com

Définitions

AVERTISSEMENT


Avvertissement – Ce symbole vous prévient d'un danger de mort ou d'un risque de blessures graves si vous ne respectez pas l'avertissement qui l'accompagne.

PRUDENCE

PRUDENCE – Ce message vous prévient d'un risque de blessures légères ou moyennement graves si vous ne respectez pas cet avertissement.

NOTIFICATION

NOTIFICATION – Ce message vous prévient d'un risque de dégâts pour l'appareil ou la propriété est possible si vous ne respectez pas cet avertissement.

 Ce symbole est destiné à attirer votre attention sur quelque chose de particulier.

⚠ INSTRUCTIONS DE SÉCURITÉ IMPORTANTES

⚠ AVERTISSEMENT

Les avertissements et consignes de sécurité contenus dans ce manuel ne comprennent pas tous les risques, conditions et situations éventuelles pouvant survenir. Faire preuve de bons sens et de prudence lors de l'installation, de l'entretien et de l'utilisation de cet appareil électroménager ou de tout autre.

⚠ AVERTISSEMENT

Pour réduire le risque d'incendie, de choc électrique, de blessure grave ou de mort et/ou risque de dommages matériels pendant l'utilisation de votre sèche-linge, veuillez prendre des précautions de base incluant celles qui suivent.

1. Veuillez lire toutes les instructions avant d'utiliser le sèche-linge. Les sèche-linge Bosch sont fournis avec des instructions d'utilisation, de soin et d'installation.
2. Ne faites pas sécher des pièces de linge qui ont été préalablement nettoyées, lavées et tachées avec ou trempées dans le l'essence, des solvants de dégraissage à sec ou d'autres substances dégagant des vapeurs susceptibles de **s'enflammer** ou d'exploser.

Pour réduire le risque **d'incendie**, ne mettez jamais dans le sèche-linge des vêtements, chiffons de nettoyage, accessoires de nettoyage à franges, comportant des traces de toute substance inflammable comme l'huile végétale, l'huile de cuisine, les huiles ou produits distillés à base de pétrole, les cires, les graisses, etc. Une ou plusieurs substances inflammables peuvent être restées sur ces pièces de linge même après le lavage. Elles risquent de se mettre à fumer ou de prendre **feu** spontanément.

Ne mettez pas à sécher dans l'appareil des pièces de linge exposées aux huiles de cuisson. Ces pièces de linge contaminées par les huiles de cuisson peuvent contribuer à une réaction chimique

qui ferait prendre feu à la charge de linge.

3. Le sèche-linge ne devrait servir qu'aux fins pour lesquelles il a été conçu.
4. Ne laissez jamais les enfants jouer dans ou sur l'appareil : il y a un risque de **blessures** graves ou de **mort**. Les enfants doivent être tenus à une distance sécuritaire des électroménagers en tout temps. Les enfants doivent être laissés approcher un électroménager seulement sous la surveillance constante d'un adulte.
5. Ne pas laisser les enfants jouer sur ou à l'intérieur de l'appareil à quelque moment que ce soit ; des blessures graves, voire mortelles pourraient en résulter. Les enfants doivent se tenir à bonne distance de l'appareil à tout moment. Interdire aux enfants de rester à proximité d'un appareil à moins d'être sous la surveillance attentive et constante d'un adulte.
6. Veiller à ce qu'il n'y ait aucun jouet ou autre objet rangés sur ou à l'intérieur du sèche-linge ou sur les étagères ou armoires ou autres espaces de rangement adjacents au sèche-linge car ils pourraient inciter les enfants à grimper sur le sèche-linge.
7. Ne pas s'asseoir ou se tenir debout sur le dessus du sèche-linge.
8. Ne permettre à personne de grimper, s'appuyer contre ou se suspendre sur une partie quelconque du sèche-linge, y compris tout élément qui dépasse tel que le hublot de l'appareil ou une tablette coulissante.
9. Afin de diminuer le risque d'empoisonnement ou de brûlures chimiques, garder les produits d'entretien hors de la portée des enfants.
10. Entreposer tous les produits chimiques et accessoires de buanderie à un endroit frais et sec conformément aux instructions du fabricant. S'assurer que les enfants ne peuvent pas les atteindre. L'essence, les matières combustibles et les matériaux produisant des vapeurs inflammables, les liquides inflammables et les substances qui posent un risque d'incendie ne doivent pas être entreposés à proximité du sèche-linge.
11. Éloigner les animaux de compagnie du sèche-linge.
12. AVANT DE METTRE L'APPAREIL HORS SERVICE OU AU REBUT, RETIREZ LA PORTE DU COMPARTIMENT DE SECHAGE.
13. N'introduisez pas les mains dans l'appareil tandis que le tambour tourne.
14. N'installez ou ne rangez pas cet électroménager dans un endroit où il sera exposé aux intempéries, à l'eau, à la moisissure, à la saleté, à un air corrosif ou salin, ou au froid extrême.
15. Ne cherchez pas à modifier les commandes de l'appareil.
16. Ne tentez pas de réparer ni remplacer quelque pièce que ce soit de l'appareil, ne le soumettez pas à des opérations de maintenance autres que celles spécifiquement indiquées dans les instructions de maintenance ou de réparation et permises à l'utilisateur, ceci à condition que vous en compreniez le contenu et ayez l'habileté requise pour réaliser ces opérations.
17. Pour supprimer l'électricité statique, n'utilisez pas d'adoucissant ou produit pour tissu, sauf si le fabricant le recommande.
18. Ne vous servez pas de la chaleur pour sécher des articles contenant du caoutchouc mousse (une étiquette peut indiquer la présence de mousse de latex) ou des matériaux en caoutchouc texturés de façon similaire. Les matériaux contenant du caoutchouc mousse peuvent, dans certaines circonstances, s'enflammer et brûler spontanément lorsque échauffés.
19. Ne mettez pas de pièces de linge contenant de l'oléfine nontissée par filage direct dans le sèche-linge. L'oléfine nontissée

par filage direct peut **prendre feu** spontanément.

20. Vérifier le filtre à charpie avant de faire sécher chaque lessive et le nettoyer au besoin. Une accumulation excessive de charpie peut endommager le sèche-linge et constituer un risque d'incendie potentiel.
21. Veillez à ce que la zone située autour de l'orifice de sortie et les zones voisines soient exemptes de bourres, peluches et poussières accumulées. Un orifice obstrué risque de réduire le flux d'air et causer la surcharge.
22. Il faudrait que le personnel de service après-vente qualifié nettoie régulièrement l'intérieur de la machine et le conduit d'échappement d'air.
23. Si vous enlevez un capot ou panneau quelconque, incluant le couvercle de la lampe, vous risquez de vous exposer à des circuits électriques sous tension. Enlever tout panneau, incluant le panneau de service rond à l'avant peut aussi vous exposer à des arêtes coupantes, des pointes et des surfaces chaudes. Débranchez toujours l'alimentation électrique avec de tenter toute réparation. Débranchez le cordon en tirant sur la fiche et non le cordon.
24. Pour éviter tout risque d'incendie, ne pas utiliser de rallonge, d'adaptateur ou tout autre connecteur ou cordon électrique non fourni par le fabricant pour brancher le sèche-linge à l'alimentation électrique.
25. Toujours vérifier le contenu des poches des vêtements et secouer les articles de votre lessive avant de les placer dans le sèche-linge ; les objets inappropriés peuvent endommager le sèche-linge et certains articles tels que les briquets peuvent constituer un **risque d'incendie**.
26. Pour réduire les risques d'incendie ou de choc électrique, n'utilisez pas le sèche-linge si le cordon d'alimentation est effiloché ou endommagé ou si les prises sont lâches.

27. N'utilisez pas le sèche-linge si des gardes et ou des panneaux ont été enlevés ou si des pièces sont manquantes ou cassées.
28. Ne tentez pas de contourner un dispositif de sécurité quelconque.
29. N'utilisez pas de conduit flexible en plastique ou non métallique avec ce sèche-linge. Les conduits en plastique ou non-métalliques peut poser un **risque d'incendie**.
30. Ne faites pas marcher le sèche-linge si vous n'êtes pas certain qu'il a été installé conformément aux INSTRUCTIONS D'INSTALLATION et que l'installation et la mise à la terre sont conformes aux règlements locaux et/ou aux autres règlements et exigences applicables.
31. Tout manquement à installer, entretenir et/ou faire marcher le sèche-linge en conformité avec les instructions du fabricant peut provoquer des dommages corporels et/ou des dégâts matériels.
32. Pour éviter d'endommager le sol ou la prolifération de moisissures, ne laissez pas l'eau répandue ou les éclaboussures en permanence autour de l'appareil ou sous celui-ci.
33. N'installez pas d'appareil au fuel dans le placard du séchoir.
34. Assurez-vous que tous les raccordements d'eau au sèche-linge sont dotés d'un robinet d'arrêt d'accès facile. Fermez le ou les robinets d'arrêt d'eau de l'appareil après l'utilisation en fin de journée.
35. Vérifiez régulièrement les raccords du boyau de remplissage pour vous assurer qu'ils sont bien serrés et ne fuient pas.

Remarques :

- A Les MISES EN GARDE et AVERTISSEMENTS IMPORTANTS figurant dans le présent manuel ne sauraient envisager toutes les situations possibles et imaginables. Faites preuve de bon sens, de prudence et de soin pendant

l'installation, l'entretien et l'utilisation de ce sèche-linge.

B Contactez toujours votre revendeur, distributeur, agent du service après-vente (SAV) ou le fabricant en présence de problèmes ou situations vous paraissant incompréhensibles.

- C Suivez toutes les consignes de sécurité fournies dans les INSTRUCTIONS D'INSTALLATION et les INSTRUCTIONS D'UTILISATION.

Instructions de mise à la terre

Il faut impérativement raccorder ce sèche-linge à la terre. En cas de dysfonctionnement ou de panne, sa liaison avec la terre réduira le risque de choc électrique en fournissant au courant électrique un chemin de passage à résistance électrique très réduite.

Cet appareil est équipé d'un cordon d'alimentation avec fil intégré de raccordement de l'appareil à la terre, et d'une fiche de raccordement à la terre. Il faudra brancher la fiche dans une prise femelle appropriée, reliée à la terre conformément à la réglementation et aux décrets locaux.

AVERTISSEMENT

Le branchement inexpert du fil chargé de raccorder l'appareil à la terre peut engendrer un risque de choc électrique. Avec l'aide d'un électricien agréé ou d'un technicien du service après-vente (SAV), vérifiez en cas de doute que le sèche-linge est bien raccordé à la terre. **NE MODIFIEZ PAS LA FICHE MÂLE** accompagnant l'appareil. Si elle ne rentre pas dans la prise, demandez à un électricien agréé de vous installer une prise femelle appropriée à ce sèche-linge.

Conservez cette notice afin de pouvoir la consulter à nouveau ultérieurement.

Si l'appareil doit un jour changer de propriétaire, remettez-lui le manuel en même temps que le sèche-linge.

CONSERVEZ CETTE NOTICE

Instructions d'installation

Introduction

Veillez lire ces instructions d'installation entièrement et soigneusement. Elles vous feront économiser du temps et des efforts et vous aideront à obtenir des performances optimales de votre sèche-linge. Veillez à bien respecter tous les avertissements et mises en garde énoncés.

AVERTISSEMENT

AVERTISSEMENT – Risque d'incendie.

- L'installation du sèche-linge doit être réalisée par un installateur qualifié.
- Installez le sèche-linge conformément aux instructions du fabricant et aux codes locaux.
- Ne pas installer un sèche-linge en combinaison avec des matériaux de ventilation flexibles en plastique. Si un conduit en métal flexible (de type aluminium) est installé, il doit s'agir d'un type spécifique indiqué par le fabricant de l'appareil électroménager comme étant compatible avec les sèche-linge. Les matériaux de ventilation flexibles sont réputés comme pouvant s'affaisser, s'écraser facilement et emprisonner la charpie. Ces conditions auront tendance à bloquer la circulation de l'air du sèche-linge et à accroître le risque d'incendie.
- Pour réduire le risque de graves blessures ou de mort, suivez toutes les instructions d'installation.
- **CONSERVEZ CES INSTRUCTIONS.**

Les présentes instructions d'utilisation sont destinées à des installateurs qualifiés. Outre le respect de ces instructions, vous devez installer le séchoir conformément à toutes les réglementations locales ou bien, en l'absence de telles recommandations:

- Aux **Etats-Unis** : conformez-vous au National Electric Code, ANSI/NFPA70 – en son édition la plus récente / en conformité avec la réglementation édictée par l'Etat de résidence, la réglementation municipale et/ou locale.

- Au **Canada** : conformez-vous au Code Electrique Canadien C22.1 – en son édition la plus récente / en conformité avec la réglementation édictée par la province de résidence, la réglementation municipale et/ou locale.

L'installation du gaz doit être conforme aux codes locaux ou, en l'absence de codes locaux, selon le National Fuel Gas Code, ANSI Z223.1/NFPA 54 ou le Canadian Natural Gas and Propane Installation Code CAN/CSA-B149.1 et aux réglementations d'installation.

Remarque :

Ce sèche-linge figure dans la liste UL et C-UL et offre un fonctionnement sûr jusqu'à une altitude de 7700 pieds (2350 m) sans qu'il ne faille modifier quoi que ce soit aux organes traversés par le gaz naturel.

Informations sur la mise au rebut

Mise au rebut de l'emballage

AVERTISSEMENT

Tenir les enfants hors de portée du carton d'expédition et des éléments de conditionnement. Les boîtes en plastique, en aluminium et pliantes constituent un danger de suffocation.

Tous les matériaux composant l'emballage sont écologiques et recyclables. Pour contribuer vous aussi à la protection de la nature, mettez les matériaux d'emballage au rebut de façon respectueuse de l'environnement.

Pour connaître les circuits de mise au rebut, veuillez consulter votre revendeur ou les services compétents de votre mairie.

Mise au rebut de l'ancien appareil

AVERTISSEMENT

Si l'appareil n'est plus utilisable, débrancher la prise principale, couper le cordon d'alimentation et jeter avec la prise principale. Pour éviter que les enfants ne s'enferment dans l'appareil, enlever le hublot.

Les appareils anciens ne sont pas des déchets sans valeur! Un recyclage respectueux de l'environnement permet de récupérer de précieuses matières premières.

Pour connaître les circuits de mise au rebut, veuillez consulter votre revendeur ou les services compétents de votre mairie.

Avant d'installer le sèche-linge

Déballage de l'appareil

Avant de connecter le sèche-linge à un système de conduits ayant déjà servi, veillez à ce que le système soit propre. Il est recommandé de faire nettoyer professionnellement le système de conduits tous les ans et lors de l'installation du sèche-linge à un système de conduits ayant déjà servi.

Un système de conduits propre contribue à diminuer la durée de séchage et à améliorer l'efficacité du sèche-linge.

PRUDENCE

Ce sèche-linge est très lourd. Ne tentez pas de le soulever. Ne tentez pas de soulever l'appareil par certaines parties saillantes (sa porte par ex.). Vous risqueriez de les casser.

NOTIFICATION

Retirez soigneusement tout l'emballage de l'appareil, ceci pour empêcher d'endommager des surfaces.

Vérifiez si le sèche-linge a subi des dommages lors du transport. N'installez pas un sèche-linge comportant des dommages visibles. En cas de doute, communiquez avec le marchand.

Accessoires fournis

NOTIFICATION

Après avoir retiré l'emballage, sortez tous les objets éventuellement présents dans le tambour.

Lieu d'installation

AVERTISSEMENT

N'installez pas ce sèche-linge :

- hors de locaux fermés par une porte,
- dans un environnement où de l'eau goutte,
- près de matériaux inflammables,
- dans des locaux comportant un risque de gel,
- dans des locaux pouvant contenir du gaz, de l'essence ou d'autres combustibles,
- dans des placards à portes fermant à clé et dans des alcôves.
- avec d'autres appareils brûlant du combustible et placés dans le même réduit.

Le local d'installation doit être bien aéré, sinon le sèche-linge fonctionnera en dessous de ses performances optimales.

Ne faites pas marcher le sèche-linge à des températures supérieures à 104 °F (40 °C) et inférieures à 41 °F (5 °C). Les basses températures affectent le séquençement automatique des programmes et peuvent allonger la durée de séchage.

La surface sur laquelle se trouve le sèche-linge doit être propre, horizontale et dure. N'installez jamais l'appareil sur des tapis et moquettes. Compensez les irrégularités du sol par ses pieds réglables en hauteur.

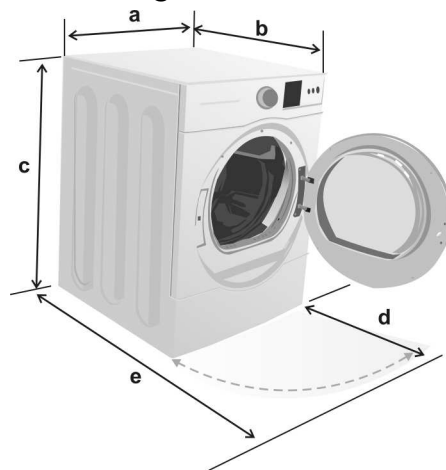
Installez le séchoir, puis assurez sa planéité latéralement et d'avant en arrière. Utilisez un niveau à bulle. N'enlevez jamais les pieds réglables en hauteur!

Les dimensions de la surface d'installation dépendent de celles du sèche-linge. Vérifiez qu'il reste suffisamment de place pour que sa porte puisse tourner!

AVERTISSEMENT

Si le sèche-linge a été installé dans un garage, il faut le placer sur une plate-forme plus haute d'au moins 18 pouces (46 cm) que le sol environnant, ceci pour supprimer tout risque que des vapeurs inflammables ne prennent feu. Il faudra en outre le positionner et le protéger de sorte qu'aucun véhicule ne puisse l'endommager.

Seche-linge Dimensions



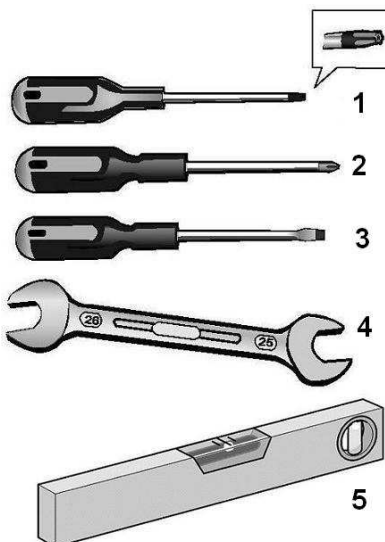
	Dimension	Poids
a	27.0" (68.6 cm)	125 lbs (56.7 kg)
b	31.8" (81.0 cm)	
c (min)*	36.9" (93.6 cm)	avec l'emballage
c (max)*	37.8" (95.9 cm)	143 lbs (64.8 kg)
d	22.0" (59.7 cm) angle 160°	
e	53.9" (136.9 cm)	

* min=les pieds du sèche-linge sont complètement rentrés, max=sortis

Outillage utile

Les outils suivants sont utiles pour l'installation:

1. Tournevis de tête d'étoilé de T20
2. Tournevis Phillips (#2)
3. Tournevis à lame plate (#2)
4. Clé à fourche (1 po/25mm)
5. Niveau à bulle



Installation pas à pas

1. Déballer le sèche-linge.
2. Retirez tous les objets présents dans le tambour.
3. Vérifiez l'absence de dégâts apparents sur le sèche-linge.
4. Placez le sèche-linge à proximité de son emplacement définitif (consultez la page 41).
5. Si nécessaire, déplacez les charnières du côté gauche (consultez la page 42).
6. Si nécessaire, positionnez la sortie d'évacuation de l'air sur le sèche-linge par le côté ou par le bas (voir page 51).
7. Faites raccorder l'alimentation de gaz par un technicien qualifié (consultez la page 48).
8. Le contrôle pour la connexion d'« Y », le tuyau courts et le tuyau de provision d'eau ont inclus avec l'emballage plus sec (voit la page 47). (A choisi des modèles seulement).
9. Brancher l'arrivée d'eau (modèles spéciaux uniquement) à l'arrière du sèche-linge (pour des instructions détaillées, voir page 13 pour obtenir des instructions détaillées).
10. Installez des conduits d'échappement au besoin.

Suivez les instructions d'installation fournie par le fabricant des pièces de conduits (consultez la page 49)

i En présence d'un espace très exigü, nous recommandons de fixer l'orifice de départ du conduit d'échappement sur le sèche-linge avant d'amener le sèche-linge sur son emplacement définitif.

NOTIFICATION

Ne PAS pousser contre la vitre de la porte de la sècheuse. Il y a un risque de bris!



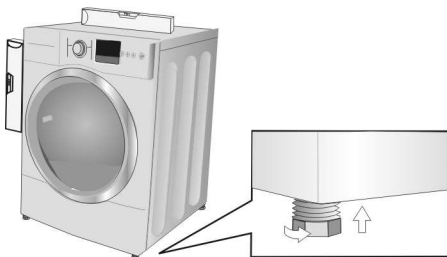
Ne pas pousser sur le hublot de la porte

11. Amenez le sèche-linge sur son emplacement définitif.

NOTIFICATION

Ne faites pas glisser le sèche-linge sur le sol si ses pieds réglables en hauteur se trouvent en position sortie. Vous risquez d'endommager les pieds et/ou la base du sèche-linge si vous le faites glisser sur le sol avec les pieds en position sortie.

12. Positionnez le sèche-linge et mettez-le de niveau.



Le sèche-linge doit être de niveau avec les quatre pieds fermement posés sur le sol. Le sèche-linge ne doit pas être instable. Si le sèche-linge n'est pas de niveau, ou s'il est instable, les pieds doivent être ajustés. Régler les pieds à hauteur réglable à l'aide de la clé de 1 po (25 mm) jusqu'à ce que l'appareil soit de niveau et qu'il n'oscille plus d'avant en arrière et de gauche à droite.

- ❑ Après avoir fait les ajustements préliminaires, appuyer sur chaque angle du sèche-linge pour vérifier qu'il est stable. Si la pression exercée sur un angle de l'appareil le fait basculer, allonger le pied du sèche-linge au niveau de cet angle jusqu'à ce qu'il soit posé fermement sur le sol.

Installer le sèche-linge et le mettre de niveau de gauche à droite et d'avant en arrière. Utiliser un niveau à bulle. Ne jamais enlever les pieds à hauteur réglable !

13. Raccordez le conduit d'échappement à l'orifice prévu à cet effet sur le sèche-linge (consultez la page 50).
14. Branchez la fiche mâle dans la prise de courant murale (consultez la page 48).
15. Ouvrez le robinet de gaz.
16. Veuillez lire les instructions d'utilisation pour comprendre comme votre sèche-linge fonctionne. (consultez la page 54).
17. Soumettez l'appareil à un test:
 - ❑ Vérifiez que le tambour est vide.
 - ❑ Fermez la porte du sèche-linge.
 - ❑ Commutez le sèche-linge sur «Extra Dry» (Très sec) puis appuyez sur le bouton Start.
 - ❑ 3 à 5 minutes plus tard, appuyez sur le bouton Stop puis ouvrez la porte.
 - ❑ Si l'intérieur du tambour paraît chaud, ceci signifie que vous avez connecté le sèche-linge correctement. Commutez l'interrupteur sur «OFF».
 - ❑ Si le sèche-linge ne fonctionne pas, commutez le sèche-linge sur «OFF». Consultez la section de ces TROUBLESHOOTING consacrée au dépannage (page 30) et essayez de localiser le dérangement.

Inversement de la charnière du hublot

Le hublot comporte une charnière montée en usine sur la droite du sèche-linge. La position de la charnière peut être inversée au besoin.

⚠ PRUDENCE

Si le sèche-linge doit être déplacé afin d'inverser la charnière du hublot, couper tout d'abord d'alimentation en gaz. Suivre les consignes de démontage et de remontage de l'installation de gaz figurant dans la « Liste de vérification de l'installation » (voir page 8).

Outils requis

tournevis étoilé T20

Pièces d'inversement de charnière

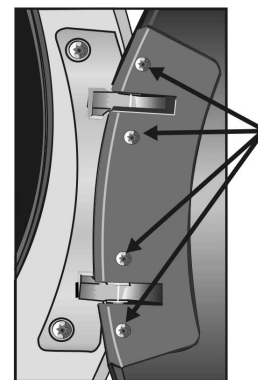
Charnière (avec quatre manchons en plastique blancs)

Plaque de fixation de charnière

Ensemble de hublot

Procédure d'inversement de charnière

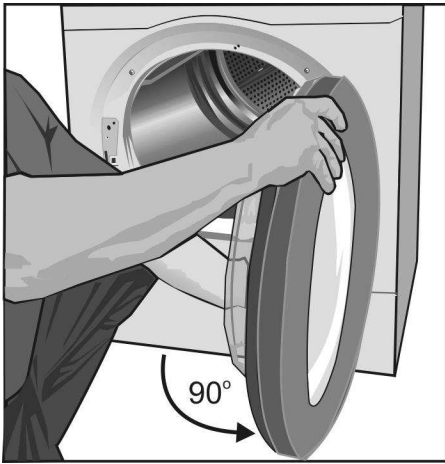
1. Débrancher le sèche-linge.
2. Préparer une surface solide, plate et rembourrée pour y poser le hublot du sèche-linge pendant que vous changerez la charnière de place.
3. Ouvrir le hublot du sèche-linge afin d'exposer complètement la plaque de fixation de charnière.
4. Dévisser les quatre vis qui maintiennent la plaque de fixation de charnière en place.



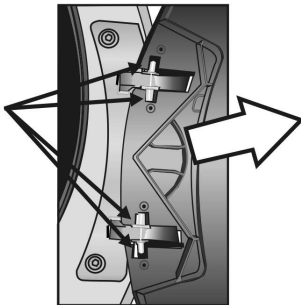
enlever quatre vis

Mettre de côté la plaque de fixation ainsi que les quatre vis que vous devrez remonter ultérieurement.

5. Faire pivoter le hublot de façon à ce qu'il soit perpendiculaire à la face avant du lave-linge. Faire coulisser le hublot en dehors du sèche-linge de sorte que les chevilles d'articulation sortent des fentes du hublot du sèche-linge.

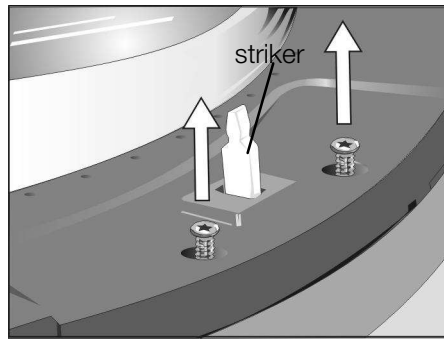


vérifier que les quatre manchons en plastique restent sur les chevilles d'articulation

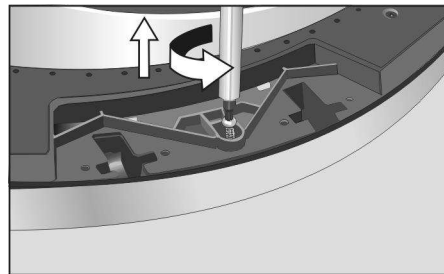


Éviter de faire tomber les quatre manchons en plastique des chevilles d'articulation. S'ils tombent, remettez-les en place sur les chevilles d'articulation avant de remonter le hublot.

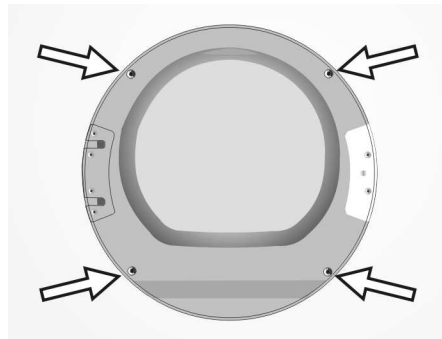
6. Coucher le sèche-linge, le hublot face vers le bas, sur une surface ferme, plane et rembourrée avec la partie inférieure du hublot tournée vers vous.
7. Retirer les deux vis qui maintiennent la plaque de gâche en place. Tenir la gâche tout en soulevant la plaque de façon à ne pas séparer ces pièces l'une de l'autre et mettre l'ensemble de côté en vue d'une réinstallation ultérieure.



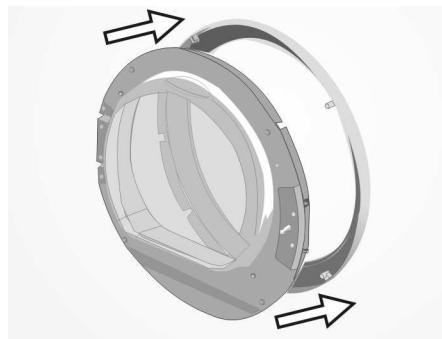
8. Retirer la vis unique qui était cachée par la plaque de gâche.



9. Poser le hublot du sèche-linge face avant vers le bas sur une surface solide et plate. Enlever les quatre vis qui maintiennent la bague frontale sur le bâti du hublot.



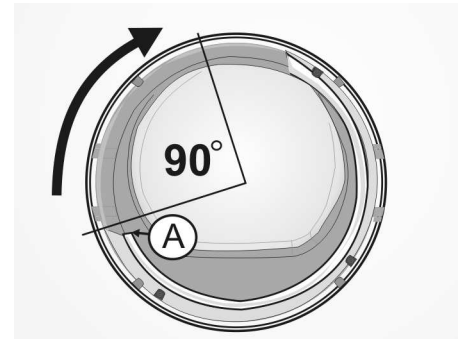
10. Retourner le hublot de façon à ce que la bague frontale soit sur le dessus.
11. Enlever la bague frontale du hublot du sèche-linge.



12. Le verre du hublot comporte un rebord en verre relevé qui entoure environ les 2/3 de la circonférence

du verre. S'assurer que ce rebord relevé est tourné vers le haut et face à vous. Repérez la position du bord d'attaque de la poignée de verre en relief, désignée par la lettre (A) dans l'illustration ci-dessous.

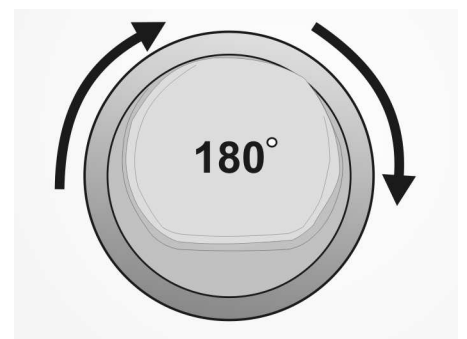
Faire pivoter le verre du hublot à 90° dans le sens des aiguilles d'une montre.



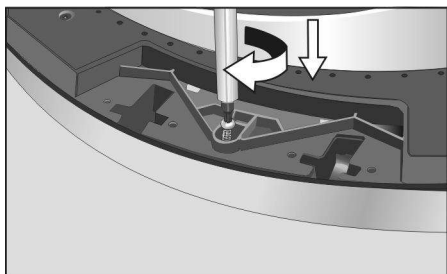
13. Remarquer la nouvelle position du verre du hublot. Le bord d'attaque de la poignée de verre doit avoir bougé de 90° dans le sens des aiguilles d'une montre depuis son point de départ désigné par la lettre (A) dans l'illustration ci-dessous.



14. Faire pivoter la bague frontale de 180° de façon à ce que la poignée du hublot se situe désormais du côté droit. La poignée du hublot se trouve à l'intérieur de la bague frontale. Il s'agit d'une indentation adaptée à la taille de la main.

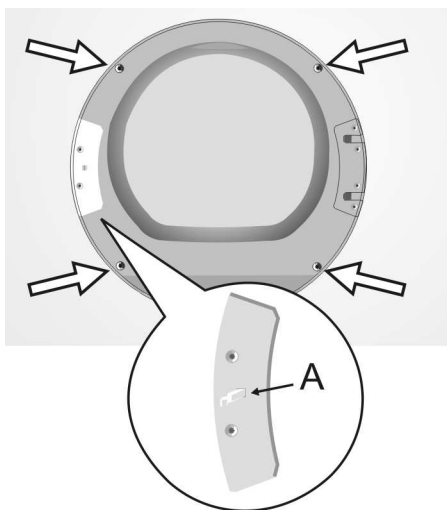


15. Retourner le hublot de façon à ce que l'arrière soit sur le dessus.
16. Remonter les pièces, en conservant leur nouvel alignement.
17. Remettre en place la vis unique qui se met sous la plaque de gâche. Serrer solidement la vis.

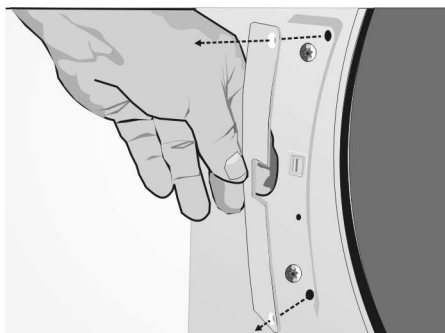


18. Faire pivoter la plaque de gâche et la gâche à 180° afin que l'assemblage puisse s'adapter à la zone d'installation du côté opposé du hublot (où se trouvait la charnière). Réinstaller la plaque de gâche et la gâche dans leur nouvel emplacement et serrer solidement les deux vis de la plaque.

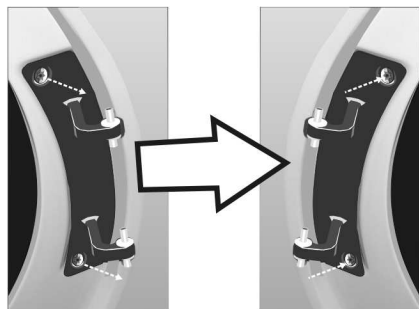
19. Remonter les pièces, en conservant leur nouvel alignement. Remettre en place et serrer les quatre vis de la bague frontale.



20. Retirer les deux vis qui maintiennent la plaque de fixation en plastique au dessus de la position de montage de la charnière de gauche sur le bâti du sèche-linge. Retirer la plaque et la mettre de côté avec les deux vis.



21. Sortir les deux vis qui maintiennent la charnière du hublot en métal sur le bâti du sèche-linge. Sortir la charnière du bâti.

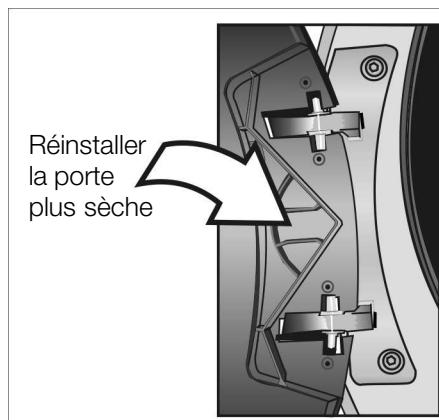


de droite à gauche

22. Remettre la charnière en place dans le bâti du sèche-linge du côté gauche de l'ouverture du hublot de l'appareil. Serrer les deux vis à fond et vérifier que la charnière est bloquée.

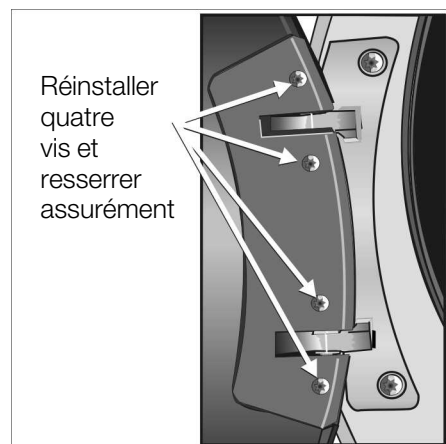
23. Le hublot est maintenant prêt à être remonté sur le sèche-linge.

24. Remettre en place le hublot du sèche-linge en le faisant glisser sur les chevilles d'articulation. Éviter de faire tomber les quatre manchons en plastique des chevilles d'articulation. S'ils tombent, remettez-les en place sur les chevilles d'articulation avant de remonter le hublot du sèche-linge.



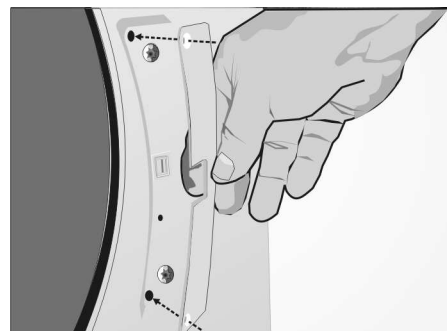
Réinstaller la porte plus sèche

25. Réinstaller la plaque-couvercle de gond enlevée dans l'étape 4. L'insertion et resserre les 4 vis tenant la plaque-couvercle de gond à sa place.



Réinstaller quatre vis et resserrer assurément

26. Installer la plaque-couvercle en plastique sur la position de gond originale au côté droite de l'ouverture de porte plus sèche. L'insertion et resserre les deux vis tenant la plaque en place.



27. Essayer que la porte ouvre et ferme convenablement. Le processus de renversement de gond est maintenant complet.

Distances minimales

Informations importantes sur les distances minimums

- En fonction de l'emplacement du raccord d'évacuation d'air, prévoir une distance minimale supplémentaire de 5 pouces ½ (14 cm) de ce côté (le côté où se trouve le raccord), pour les gaines/supports (voir page 49).
- Avantages associés au maintien d'une distance plus importante (dégagements) que le minimum indiqué :
 - réduction du risque de formation de moisissure derrière l'appareil.
 - réduction de la transmission du bruit
 - facilité d'installation et de réparation
 - davantage d'air disponible pour refroidir le sèche-linge afin d'éviter qu'il ne chauffe trop et amélioration des performances de séchage.
- Si le sèche-linge est installé dans une pièce de petite dimension, les portes de la pièce doivent être dotées de bouches d'aération d'une taille minimale spécifiée. Pour des informations supplémentaires, se reporter aux illustrations suivantes concernant les installations confinées.
- Au besoin, laisser un dégagement supplémentaire pour les moulures de mur, de porte et de fenêtre.

Types d'installation

Respecter les dégagements minimum suivants entre le sèche-linge et les surfaces adjacentes pour tous les types d'installation.

Minimum Installation Clearances

A Côtés	0.25 in. (6.4 mm)
B Dessus	0.25 in. (6.4 mm)
C Arrière*	5.25 in. (13.4 cm)
D Avant	0.50 in. (12.8 mm)

* le plus près possible du mur dans la mesure où les raccords d'aération ou d'eau l'autorisent. Si l'installation est réalisée avec un lave-linge, un plus grand dégagement arrière réservé au dispositif d'évacuation du sèche-linge est requis pour une combinaison d'appareils.

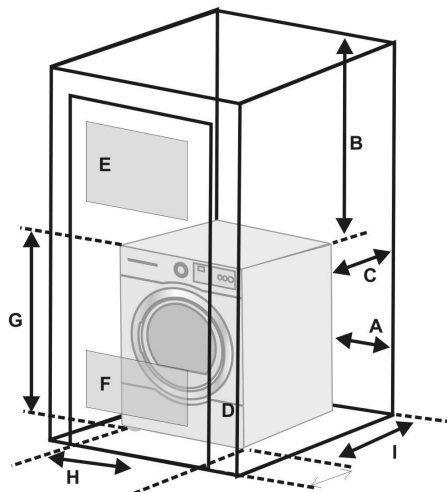
- Les unités sont conçues de façon à ce que le sèche-linge puisse être superposé sur le lave-linge à l'aide de l'un des lots de superposition figurant page 52.

- Les unités sont conçues pour un montage encastré sous un plan de travail. Voir les dimensions requises à la section relative au montage encastré sous un plan de travail figurant page 46.

Les mesures de hauteur figurant dans cette section correspondent à un déploiement minimal des pieds du sèche-linge (les pieds étant complètement tournés vers l'intérieur contre la base du sèche-linge).

Montage encastré sous un plan de travail ou dans un placard

Les dimensions relatives au montage encastré sous un plan de travail ou dans un placard sont indiquées dans l'illustration ci-dessous.



Exigences en matière de ventilation dans un placard

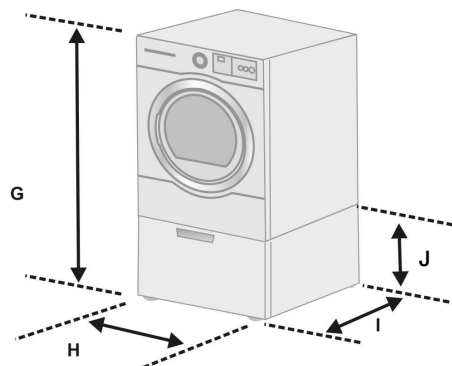
E Dessus	48 sq. in. (310 sq. cm)
F Fond	24 sq. in. (155 sq. cm)

Espace de montage exigé

G Hauteur	37.25 in. (94.6 cm)
H Largeur	27.50 in. (69.9 cm)
I Profondeur	37.25 in. (94.6 cm)

Monté sur un socle

Les dimensions pour l'installation avec montage sur socle sont indiquées dans l'illustration ci-dessous.

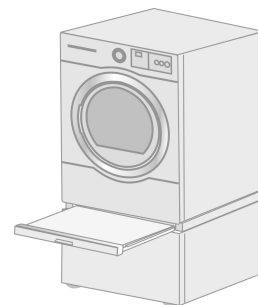


Espace de montage exigé

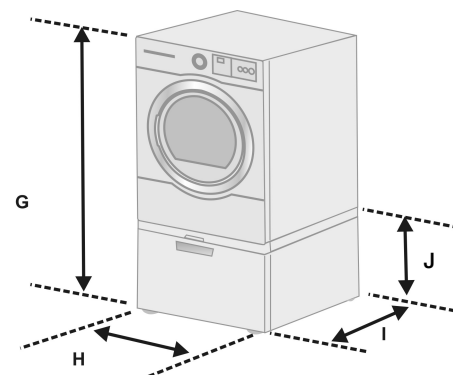
G Hauteur	57.25 in. (132.7 cm)
H Largeur	27.50 in. (69.9 cm)
I Profondeur	37.25 in. (94.6 cm)
J Hauteur du socle	15.0 in. (38.1 cm)

- i** L'appareil ne doit pas être installé sur un socle dans les montages encastrés sous un plan de travail.

Socle avec tablette coulissante



Les dimensions pour l'installation avec socle et tablette coulissante sont indiquées dans l'illustration ci-dessous.



Espace de montage exigé

G Hauteur	53.75 in. (136.5 cm)
H Largeur	27.50 in. (69.9 cm)
I Profondeur	37.25 in. (94.6 cm)
J Hauteur du socle	15.0 in. (38.1 cm)

- i** L'appareil ne doit pas être installé sur un socle dans les montages encastrés sous un plan de travail.

Lave-linge et sèche-linge superposés

Les dimensions pour le montage superposé sont indiquées dans l'illustration ci-dessous.

⚠ AVERTISSEMENT

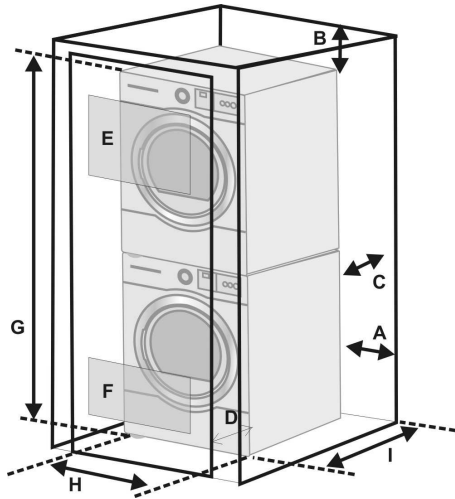
Lorsque vous installez un sèche-linge superposé, vous devez utiliser un tuyau de gaz souple.

L'utilisation d'une conduite d'amenée de gaz intérieure dure ou rigide sur un sèche-linge à gaz « superposé » est INTERDITE.

Deux lots de superposition sont disponibles pour installer le sèche-linge sur le lave-linge. Voir la section « Accessoires » figurant page 51.

⚠ AVERTISSEMENT

Il est recommandé de faire appel à plusieurs personnes pour soulever et mettre en place le sèche-linge en raison de son poids et de sa taille. Le non respect de cette recommandation peut entraîner des lésions corporelles, voire la mort.



Les dimensions de dégagement A à D figurent à la page 45.

Exigences en matière de ventilation dans un placard

E Dessus	48 sq. in. (310 sq. cm)
F Fond	24 sq. in. (155 sq. cm)

Espace de montage exigé

G Hauteur	37.25 in. (94.6 cm)
H Largeur	27.50 in. (69.9 cm)
I Profondeur	37.25 in. (94.6 cm)

Required Installation Space

G Hauteur*	74.50 in. (189.3 cm)
	* avec lot de superposition de base
Hauteur**	76.02 in. (193.1 cm)
	** avec ensemble de superposition comprenant une tablette coulissante
H Largeur	27.50 in. (69.9 cm)
I Profondeur	37.25 in. (94.6 cm)

⚠ AVERTISSEMENT

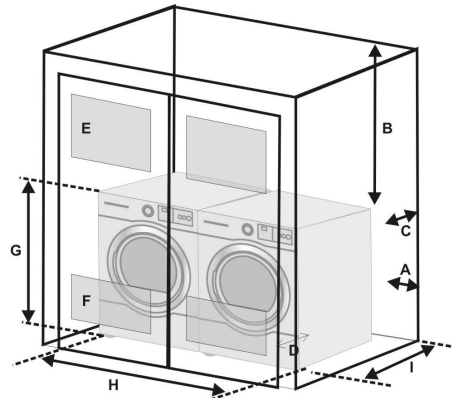
L'appareil ne doit pas être monté sur un socle dans le cas d'un montage superposé. Le lave-linge ne doit pas être superposé sur le sèche-linge.

Ceci peut entraîner de graves blessures et dégâts matériels.

- i** Faites attention en faisant glisser le lave-linge et le sèche-linge pour les superposer l'un sur l'autre. Pour de plus amples informations, voir les instructions de montage du lot de superposition.

Côte à côte

Les dimensions relatives au montage côte à côte encastré ou dans un placard sont indiquées dans l'illustration ci-dessous.



Les dimensions de dégagement A à D figurent à la page 45.

Exigences en matière de ventilation dans un placard

E Dessus	48 sq. in. (310 sq. cm)
F Fond	24 sq. in. (155 sq. cm)

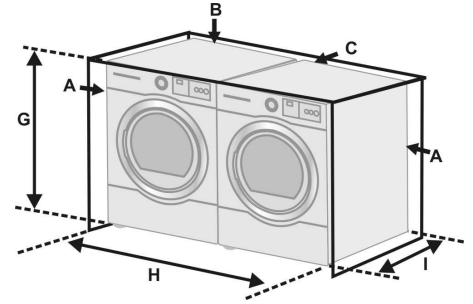
Espace de montage exigé

G Hauteur	37.25 in. (94.6 cm)
H Largeur	54.75 in. (139.1 cm)
I Profondeur	37.25 in. (94.6 cm)

Hauteur requise pour montage sur socle : 52,25 po. (132,7 cm)

Sous le plan de travail

Les dimensions pour l'installation sous le plan de travail sont indiquées dans l'illustration ci-dessous.



Les dimensions de dégagement A à D figurent à la page 45.

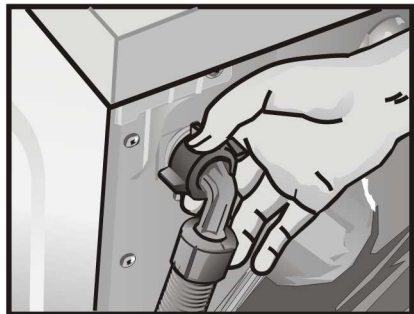
Espace de montage exigé

G Hauteur	37.25 in. (94.6 cm)
H Largeur	27.50 in. (69.9 cm)
Largeur*	54.75 in. (139.1 cm)
	* lave-linge et sèche-linge installés côte à côte
I Profondeur	37.25 in. (94.6 cm)

- i** L'appareil ne doit pas être installé sur un socle dans les montages encastrés sous un plan de travail.

Branchement de l'eau

Cette section s'applique seulement à dryers avec une connexion d'eau. La connexion est trouvée au premier dos de 500 et 800 Dryers de Collection avec le logo de Vapeur sur le panneau.



Reliez le tuyau d'alimentation en eau à un robinet d'eau froide (celui-ci doit se trouver à 4 pi (1,2 m) de distance de la vanne d'admission d'eau située à l'arrière du sèche-linge).

Une pression d'alimentation d'eau de 20 à 100 psi (1,37 à 6.89 bars) est recommandée pour obtenir les meilleures performances.

Un connecteur en « Y » est fourni ainsi qu'un tuyau court (en cas de besoin) pour le relier au robinet d'eau froide.

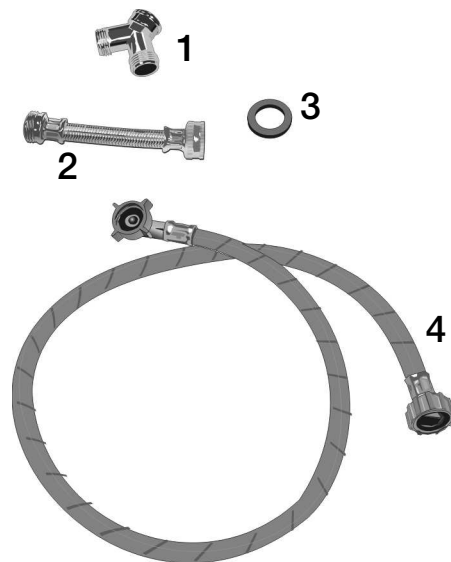
Attach the dryer water supply hose to a cold water faucet (the faucet must be located within 4 ft (1.2 m) of the water inlet valve on the back of the dryer).

It is recommended to have a water supply pressure of 20 – 100 psi (1.37 – 6.89 bar) for best performance.

Compte tenu que la plupart des raccordements devront partager le robinet d'eau froide utilisé par le lave-linge, un raccord en « Y » est fourni ainsi qu'un petit tuyau (si nécessaire) afin de pouvoir brancher le tuyau d'alimentation en eau sur le robinet d'eau froide.

Pièces du sèche-linge à vapeur fournies

Les pièces suivantes sont incluses dans l'emballage de votre sèche-linge.

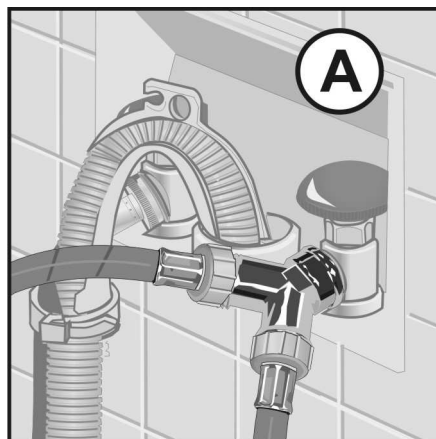


1. Connecteur en « Y »
2. Tuyau d'alimentation court en métal tressé
3. Rondelle en caoutchouc (insérée dans l'extrémité femelle du petit tuyau d'alimentation, illustré ici séparément pour plus de clarté).
4. tuyau d'alimentation en eau

Branchement du tuyau d'arrivée d'eau

i Le sèche-linge doit être raccordé à un raccord en « Y » à l'aide du tuyau d'alimentation en eau fourni. Ne pas utiliser un vieux tuyau.

1. Fermer le robinet d'eau froide et enlever le tuyau d'alimentation en eau du lave-linge du robinet.



2. Avant de continuer, vérifiez que la rondelle de caoutchouc est bien

introduite et positionnée sur l'extrémité femelle du tuyau court. La rondelle de caoutchouc est représentée sous le numéro 3 sur l'illustration des pièces fournies. Elle est illustrée séparément dans la représentation du tuyau pour plus de clarté.

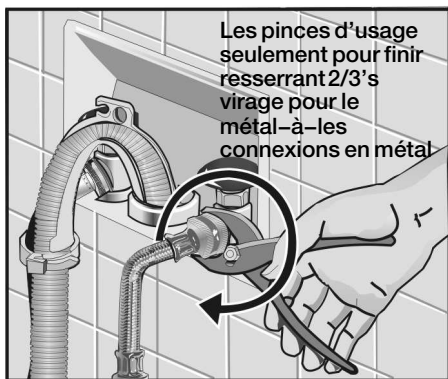
3. Si l'espace le permet, reliez l'extrémité (femelle) auto-foreuse du connecteur en « Y » directement au robinet d'eau froide (option A comme le montre l'illustration ci-dessus) et continuez à l'étape 6.

Installation facultative du connecteur en « Y »

Si le connecteur en « Y » ne peut pas être relié directement, utilisez le tuyau court fourni pour relier le connecteur en « Y » au robinet d'eau froide (option B comme représenté sur l'illustration), et continuez en passant aux étapes 4 et 5.

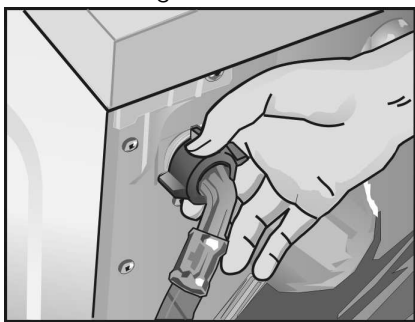


4. Reliez le tuyau court au robinet d'eau froide. Serrez la connexion à la main jusqu'à ce que le raccord se mette bien en place sur le robinet.
5. Utilisez une pince pour serrer la connexion de 2/3 de tour en plus.



6. Reliez le connecteur en « Y » au tuyau court. Serrez le raccord à la main jusqu'à ce qu'il soit bien en place sur le tuyau.
7. Reliez le tuyau d'alimentation d'eau froide du lave-linge au connecteur en « Y ». Serrez à la main.
8. Attacher le tuyau plus de provision d'eau sec à l'autre accouplement du connecteur d'« Y ». La main resserre seulement.
9. Resserrer seulement en métal-à-les accouplements en métal sur le connecteur d'« Y » et le tuyau court une pinces d'utilisation de virage de deux tiers supplémentaires.

i Ne pas trop serrer. Vous pourriez endommager le raccord.



10. Reliez le connecteur à angle droit sur le tuyau **AQUASTOP®** à la valve d'admission située en haut à gauche du sèche-linge.

i Vérifiez que la rondelle de caoutchouc ne tombe pas, et qu'elle est correctement positionnée sur le connecteur à angle droit.

11. **Serrez le raccord à la main** jusqu'à ce qu'il soit bien en place sur le connecteur. Ne pas utiliser de pince. Serrez uniquement à la main.

i Ne pas trop serrer. Vous pourriez endommager le raccord.

12. Ouvrez le robinet d'eau. .

13. Vérifiez s'il y a des fuites autour du connecteur en « Y », du robinet et de tous les tuyaux.

Branchement électrique

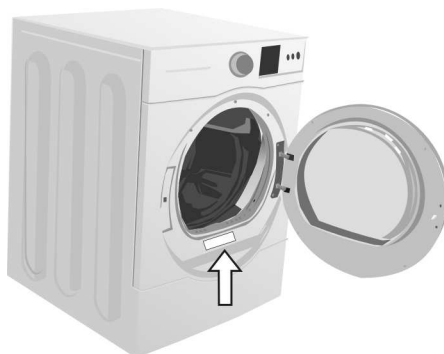
Instructions de mise à la terre

AVERTISSEMENT

Il faut raccorder le sèche-linge à une ligne spécifique dérivée du secteur et se terminant par une prise femelle réglementairement installée et raccordée à la terre.

La tension électrique présente dans votre foyer doit correspondre à la tension spécifiée sur le sèche-linge (voir sa plaque signalétique).

Vous trouverez la plaque signalétique sur la face intérieure du panneau frontal.



Les spécifications de branchement et l'ampérage requis des fusibles / disjoncteurs figurent sur la plaque nominative de l'appareil.

Assurez-vous que :

- La fiche mâle du cordon d'alimentation est bien fixée dans la prise.
- Le cordon d'alimentation est bien adapté à cette application.
- Le circuit de raccordement à la terre a été correctement installé.

Le cordon d'alimentation peut être remplacé seulement par un technicien qualifié ou un électricien certifié.

Vous pouvez commander un cordon d'alimentation de remplacement auprès du service à la clientèle (consultez la page 66).

Volts	Hertz	Ampères	Watts
110-120	60	9	1080

Branchement du gaz

AVERTISSEMENT

Pour éviter Risque d'explosion!

Utilisez un tuyau d'alimentation en gaz neuf et homologué AGA ou CSA.

Installez un robinet de fermeture. Serrez de manière sûre tous les raccords de gaz.

Demandez à une personne qualifiée de vérifier que la pression du gaz ne dépasse pas 14" (colonne d'eau)/ 3,49 kPa/0,509 psig (gaz naturel et propane).

Cette personne qualifiée peut être par exemple :

- un technicien détenteur d'une licence d'entretien des appareils de chauffage,
- le personnel agréé du fournisseur du gaz,
- le personnel agréé du service après-vente.

Si vous ne prenez pas ces précautions, vous vous exposez à un risque d'explosion ou d'incendie. Danger de mort ou de blessures! Tous les raccords situés sur la conduite d'alimentation en gaz devraient faire l'objet d'un contrôle d'étanchéité avant de faire marcher l'appareil. Appliquez de l'eau savonneuse sur tous les raccords et vérifiez la formation de nouvelles bulles. Ces bulles révèlent la présence d'une fuite !

Lors de l'installation du tuyau d'admission de gaz du sèche-linge, ne dépassez pas un couple de 26 lb-pi (35 Nm).

AVERTISSEMENT

N'utilisez jamais de flamme nue pour détecter la présence de fuites de gaz.

Type de gaz

Ce gaz plus sec quand équipé pour l'usage avec LE GAZ NATUREL, emploiera une taille d'orifice 46 et a une pression de sortie de gaz de 3,5 dans W.C.

Votre sèche-linge doit avoir été équipé avec la vanne adaptée au type de gaz disponible chez vous. Les informations sur la vanne se trouvent sur la plaque signalétique elle-même située derrière la porte, au bas de l'orifice.

Si les informations figurant sur la plaque signalétique ne concordent pas avec le type de gaz disponible, veuillez contacter votre revendeur ou notre équipe du service après-vente (voir page 32).

Conduite d'alimentation en gaz

Nous recommandons l'emploi d'une conduite faisant $1/2''$ de diamètre intérieur.

Les conduites de $3/8''$ sont admises aux conditions suivantes: la conduite doit faire moins de 20 pieds de long (6.1 m);

si la réglementation locale et le fournisseur de gaz admettent de telles conduites.

La conduite doit comprendre une dérivation enfichée $1/8''$ à filetage NPT, en amont de la connexion du gaz.

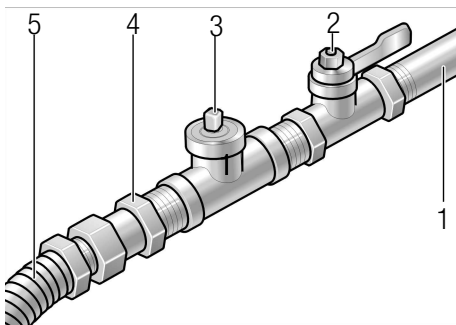
Prévoyez un robinet de fermeture :

– Etats-Unis :

Il faut installer un robinet individuel de fermeture manuelle à 6 pieds (1,8 m) du séchoir, ceci conformément au National Fuel Gas Code (Code national sur le gaz combustible), ANSI Z223.1/NFPA 54.

– Canada :

Il faut installer un robinet individuel de fermeture manuelle conformément à B149, aux règlements d'installation, à CAN/CSA B149.1 et CAN/CSA B149.2. Nous recommandons d'installer un robinet individuel de fermeture manuelle à 6 pieds (1,8 m) du séchoir.



- 1 – Conduite d'alimentation en gaz à filetage $1/2''$ NPT
- 2 – Robinet de fermeture du gaz
- 3 – Dérivation enfichée à filetage $1/8''$ NPT
- 4 – Conduite $3/8''$ aboutissant à la robinetterie adaptatrice
- 5 – Raccord flexible à gaz, $3/8''$ (vers le sèche-linge)

Il faut que le robinet de fermeture reste aisément accessible pour pouvoir l'ouvrir et le fermer chaque fois que nécessaire.

Conduite de gaz du sèche-linge

La conduite de gaz qui sort par l'arrière du sèche-linge présente un filetage mâle de $3/8''$.

Remarque:

Si les raccords à gaz se sont cassés, vérifiez ensuite que le séchoir fonctionne correctement.

Branchement du sèche-linge

⚠ PRUDENCE

Le branchement est exclusivement réservé à un technicien agréé. Avant d'effectuer l'essai sous pression, il faut débrancher le sèche-linge du réseau d'alimentation en gaz. Lors du premier emploi du sèche-linge, assurez-vous qu'il n'y a pas d'air dans le réseau de conduites.

⚠ AVERTISSEMENT

Si l'appareil doit être raccordé au gaz naturel, n'utilisez pas de conduites et tubes en cuivre.

⚠ AVERTISSEMENT

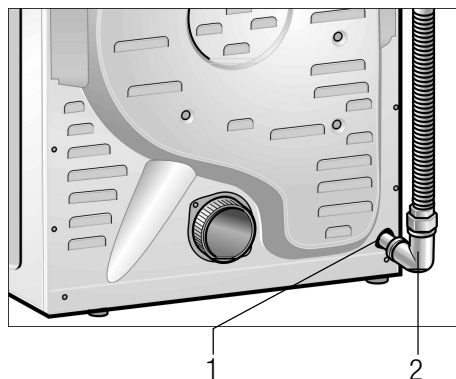
Lorsque vous installez un sèche-linge superposé, vous devez utiliser un tuyau de gaz souple.

L'utilisation d'une conduite d'amenée de gaz intérieure dure ou rigide sur un sèche-linge à gaz « superposé » est INTERDITE.

Les modalités de branchement peuvent différer suivant le type de conduite d'alimentation, sa taille et son emplacement.

Si la réglementation locale le permet, servez-vous, pour raccorder le sèche-linge, d'un raccord flexible en acier inoxydable (d'une conception agréée par l'American Gas Association ou par CSA International).

+



Pour réduire la distance entre la tôle du corps et le mur, installez un coude de $3/8''$ sur la conduite de gaz du sèche-linge.

- 1 – Conduite de gaz (à filetage mâle $3/8''$)
- 2 – Coude $3/8''$

Raccordement du conduit d'échappement

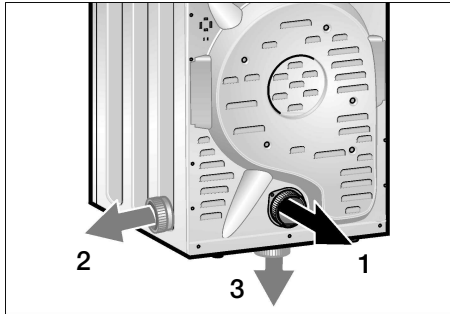
⚠ AVERTISSEMENT

1. Pour réduire le risque d'incendie, il faut que le conduit d'échappement de ce sèche-linge aboutisse en plein air.
2. Pour réduire le risque d'incendie, ne pas utiliser des gaines et conduits plus longs que ce qui est recommandé. Reportez-vous au tableau des longueurs de conduit maximum (voir page 17).
3. NE PAS utiliser de conduits en plastique, en feuille métallique ou tout autre conduit non métallique avec ce sèche-linge. Seul un conduit en métal rigide ou flexible doit être utilisé pour l'évacuation. Les conduits en feuille métallique et les conduits flexibles ne sont PAS identiques.
4. NE PAS utiliser plus de 2,4 m de conduit en métal flexible.
5. UTILISER un conduit mesurant 4 po (102 mm) de diamètre.
6. NE PAS évacuer l'air du sèche-linge dans : une cheminée, un mur, un plafond, tout vide dissimulé d'un bâtiment, le conduit d'air froid d'une chaudière, un grenier, un vide sanitaire ou tout autre conduit ou gaine d'aération.
7. N'INSTALLEZ PAS un conduit flexible dans un mur, plafond ou plancher situé dans une enceinte.
8. N'ÉCRASEZ ET NE vrillez pas le conduit.
9. Nettoyez et vérifiez le circuit d'échappement de façon régulière, au minimum une fois par an.
10. Le conduit d'échappement doit se terminer de manière à empêcher tout refoulement d'air ou la pénétration d'oiseaux ou d'animaux non domestiqués.
11. N'UTILISEZ PAS de hottes aspirantes équipées de fermetures magnétiques.
12. NE PAS monter les conduits à l'aide de vis ou d'attaches qui débouchent à l'intérieur du conduit. Elles constituent un point d'accumulation de la charpie. Les joints doivent être obturés à l'aide de ruban en aluminium.

Orifice de sortie d'air sur le sèche-linge

Ce sèche-linge a été livré avec un orifice de sortie d'air à l'arrière.

D'autres options de raccordement de conduits d'évacuation sont illustrées ci-dessous. Choisir l'une de ces options pour utiliser au mieux l'espace disponible ou un système de conduits d'évacuation existant.



- 1 – Orifice de sortie d'air situé à l'arrière de l'appareil (standard)
- 2 – Orifice de sortie d'air sur le côté (option)
- 3 – Orifice de sortie d'air sur la face inférieure (option)

Des raccords d'échappement d'air sont disponibles auprès de votre marchand, d'un fournisseur de pièces ou du service à la clientèle pour un type de connexion ou l'autre (consultez la page 51).

- Kit de sortie par le côté
- Kit de sortie par le bas.

Il faudrait confier le changement d'orifice de sortie d'air (passage de l'orifice standard à un orifice en option) à un technicien qualifié.

Conduit d'échappement

Le système d'évacuation du sèche-linge évacue l'air humide tandis que vos vêtements sèchent par culbutage.

Vous pouvez écourter la durée de séchage, économiser de l'énergie et contribuer à assurer la sécurité du système en veillant à ce que le système de conduits d'évacuation de votre sèche-linge soit correctement installé et entretenu.

Points importants à prendre en compte :

- ❑ Les conduits d'échappement (la longueur totale du sèche-linge à la hotte d'échappement extérieure) doivent être aussi courts que possible (reportez-vous au tableau « Longueur maximale du conduit » à la page 50.)

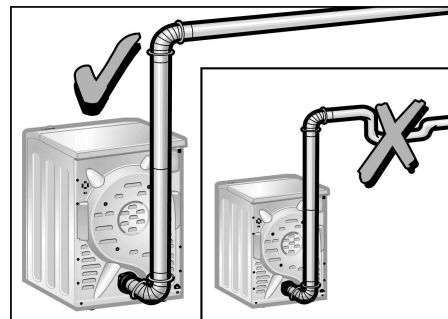
- ❑ Utiliser le moins de coudes possibles nécessaires pour installer le système de conduits d'évacuation. Éviter de placer deux coudes à 90° adjacents l'un à l'autre.
- ❑ Vérifiez et nettoyez le système de conduit et la hotte d'échappement au moins une fois par année et chaque fois que le rendement du sèche-linge diminue.

Éliminer les peluches accumulées pour éviter la baisse de circulation de l'air ou l'obstruction du système. Il est recommandé de faire nettoyer le système de conduits une fois par an par un service de nettoyage professionnel et lorsque vous raccordez votre sèche-linge à un système de conduits d'évacuation utilisé antérieurement.

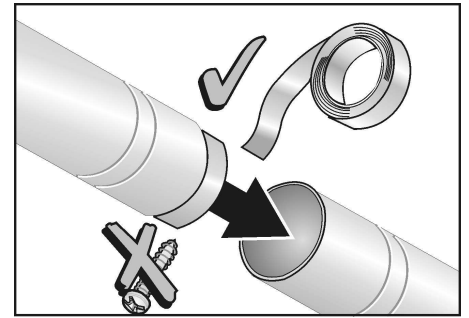
- ❑ Remplacer les sections de ventilation en plastique ou en feuille métallique par des conduits métalliques rigides ou flexibles. Il est recommandé d'utiliser des conduits métalliques rigides.

- i** Le propriétaire a la responsabilité de pourvoir à l'installation adéquate du système d'évacuation.

Les problèmes résultant d'une mauvaise installation ne sont pas couverts par la garantie qui accompagne l'appareil.



Les conduits d'évacuation dont la longueur est supérieure aux spécifications du tableau des longueurs de conduit maximum, page 17 ne sont pas autorisés. Le non respect des indications de ce tableau aura pour effet de prolonger la durée de séchage, d'entraîner l'accumulation de charpie et de nuire aux performances du sèche-linge ainsi qu'à la durée de vie de ce dernier.



Il faudrait que toutes les jonctions soient étanches pour éviter les fuites. La partie mâle de chaque segment de conduit doit regarder en direction opposée à celle du sèche-linge.

Que vous raccordiez le conduit à un système d'aération préexistant ou à un nouveau système, assurez-vous que l'intérieur du conduit est intégralement propre et exempt de peluches.

La longueur maximale autorisée pour un conduit rigide et pour un conduit flexible est indiquée au tableau ci-dessous. Si vous utilisez des conduits métalliques flexibles pour relier l'appareil au système de conduits, la longueur totale du conduit métallique flexible ne doit pas dépasser 2,4 m et celui-ci doit servir uniquement à relier le sèche-linge au système de conduits. Comme l'indique le tableau ci-dessous, la longueur de conduit maximum totale est réduite si l'on utilise des conduits flexibles.

Longueur maximale de conduit

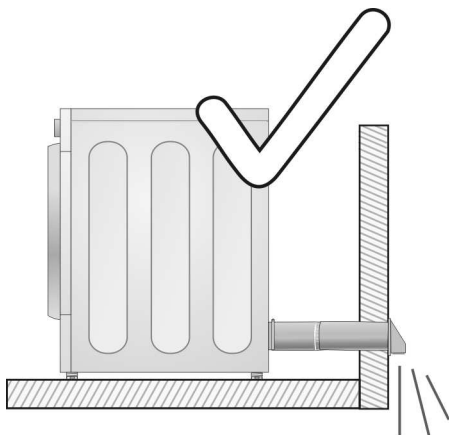
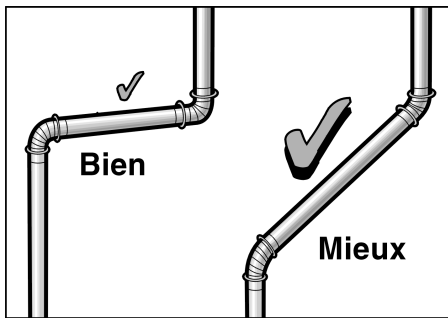
Nombre de virages ou coudes à 90°	Conduit rigide	Utilisation d'un conduit flexible combiné à un conduit rigide
0	66 ft. (2011 cm)	45 ft. (1372 cm)
1	56 ft. (1707 cm)	36 ft. (1097 cm)
2	48 ft. (1463 cm)	29 ft. (884 cm)
3	39 ft. (1189 cm)	22 ft. (671 cm)
4	30 ft. (914 cm)	16 ft. (488 cm)

Remarque:

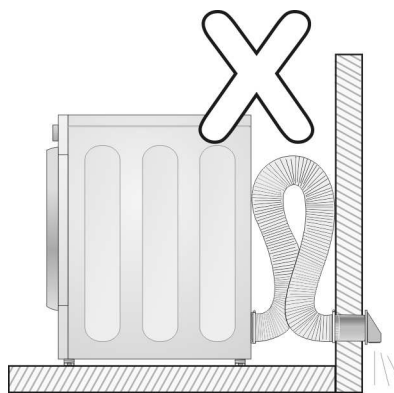
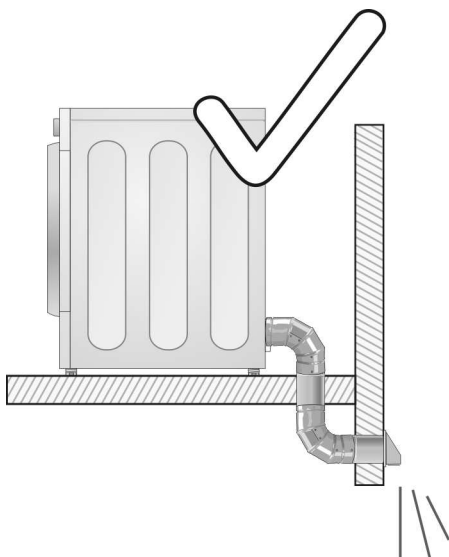
Les installations latérales et inférieures font un angle de 90° à l'intérieur du sèche-linge. Tenez compte de ce facteur en utilisant le tableau ci-dessus.

Il est déconseillé d'utiliser plus de deux courbures à 90°. Pour de meilleures

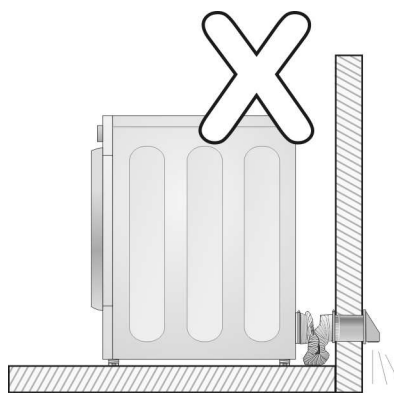
performances, intercaler une section de conduit droit d'une longueur minimale de 4 pi entre chaque courbure de tuyau, y compris la distance entre la dernière courbure et la hotte aspirante.



Faire en sorte que le conduit d'évacuation soit aussi court et droit que possible. Ceci permettra d'obtenir un meilleur passage de l'air et d'écourter la durée de séchage.



Ne pas utiliser des conduits d'évacuation plus longs que nécessaire. Les conduits plus longs auront tendance à réduire le passage de l'air et à prolonger la durée de séchage.

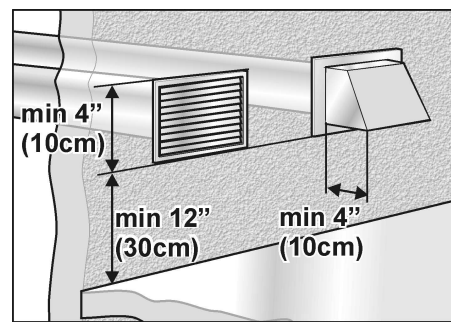


Veiller à éviter l'écrasement ou l'étranglement des conduits d'évacuation. Les étranglements de conduits auront tendance à réduire le passage de l'air et à prolonger la durée de séchage. Les étranglements de conduits peuvent réduire le passage de l'air d'évacuation au point d'engendrer une condition d'erreur et d'interrompre le programme de séchage. S'assurer que les conduits d'évacuation ne présentent aucun écrasement ni étranglement.

Hotte d'échappement

Le conduit doit se terminer par une hotte d'échappement homologuée présentant un ou plusieurs volets pivotant. N'UTILISEZ PAS de hotte d'échappement à fermetures magnétiques.

Pour éviter tout freinage de l'air sortant, il faudrait que la bouche de sortie se trouve au minimum 12 pouces (30 cm) au-dessus du niveau du sol ou de toute surface faisant obstruction.



Pièces de conduit requises

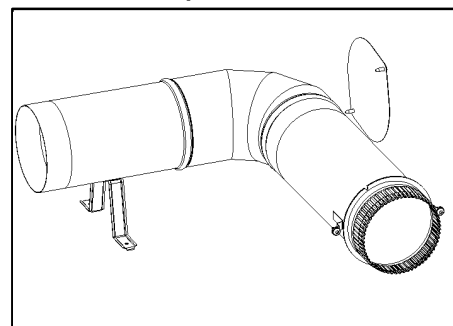
Les pièces nécessaires au système d'évacuation d'air (coudes, canalisations, bouches d'évacuation) ne sont pas incluses avec la sècheuse en livraison standard (voir la section consacrée aux accessoires pour de plus amples informations sur les commandes de pièces.)

L'installation professionnelle est recommandée pour le système de conduits.

Accessoires

Vous pouvez obtenir les accessoires en option suivants auprès du service à la clientèle (consultez la page 66) ou de votre marchand local. Veuillez suivre les instructions d'installation fournies par le fabricant respectif.

Kit de sortie par le côté



N° de réf. **WTZ 1265**

Remarque :

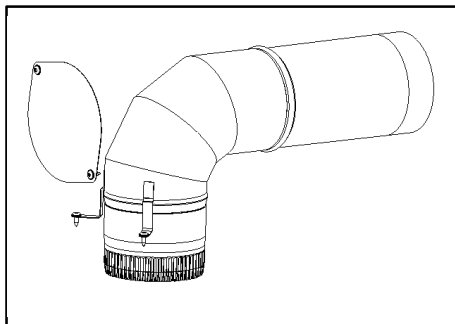
Voir les remarques concernant le nombre maximum de coudes page 50.

i Un outil spécial est nécessaire pour découper l'orifice d'évacuation dans le panneau latéral de la sècheuse.

Pour de plus amples informations, veuillez contacter votre revendeur local.

i Le dispositif d'évacuation inférieure prêt-à-monter ne peut pas être utilisé si un socle est installé sur le sèche-linge ou si ce dernier est installé sur un lave-linge.

Kit de sortie par le bas.

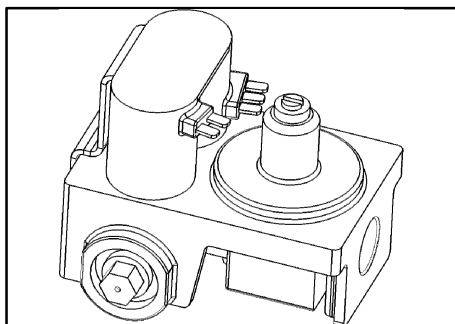


N° de réf. **WTZ 1270**

Remarque :

Voir les remarques concernant le nombre maximum de coudes page 50.

Kit de LP-Gaz



N° de réf. **WTZ 1280**

Les pièces nécessaires pour la conversion au pl pourront vous être fournies par votre revendeur local. Veuillez s.v.p. suivre les instructions d'installation publiées par le fabricant correspondant.

Note:

Dryer must be checked for proper operation whenever the gas connections have been broken.

Tiroir de séchage



part no. **WTZ1620**

Servez-vous du tiroir de séchage pour sécher les textiles lavables en laine (les chandails par ex.) et les chaussures.

Kit pour mobile-home

N° de réf. **WTZ 1275**

Remarque :

Avec les autorités compétentes dans votre région, veuillez vérifier s'il est permis d'installer un sèche-linge dans votre mobile-home. Une fois cette vérification faite, l'installation sera conforme au Manufactured Home Construction and Safety standard, titre 24 CFR, section 3280 (anciennement Federal Standard for Mobile Home Construction and Safety, titre 24, HUD (section 280)), et/ou au standard CAN/CSA - Z240 MH.

La trousse comprend un moyen de fixer le sèche-linge à la structure.

Reportez-vous à la page 49

«Raccordement du conduit d'échappement d'air» pour connaître les instructions sur l'installation de ce conduit.

Il faudra fixer le conduit d'échappement à une partie non combustible de la structure du mobile-home et le conduit ne doit pas déboucher par le bas du mobile-home.

Pendant l'installation, il faudra ménager une ouverture vers l'extérieur.

Assurez-vous que la surface libre de l'ouverture servant à l'admission d'air extérieur n'est pas inférieure à deux fois la surface de la bouche d'échappement d'air du sèche-linge, ou utilisez, dans cet orifice, un conduit d'échappement faisant au moins 5 pouces de diamètre ou au moins 25 pouces carrés.

Charnières gauches en kit

Un socle de rangement doté d'un tiroir extractible est disponible comme accessoire pour votre sèche-linge. Il permet d'augmenter la hauteur du sèche-linge d'environ 15 pouces. Voir les dimensions, page 41.

⚠ AVERTISSEMENT

L'appareil ne doit pas être installé sur un socle dans les montages en superposition.

La pièce n° WTZ 1610 est pour un socle blanc uni.

D'autres couleurs de socles peuvent être disponibles.

Le n° de référence de la pièce est WTZ 1610 « X » où X représente la couleur disponible (par ex. : A pour anthracite, S pour argent). Veuillez demander à votre revendeur quels sont les choix de couleurs disponibles.

Vous pouvez également consulter un catalogue de produits valide ou visiter notre site Web à l'adresse : www.boschappliances.com

Si vous montez le sèche-linge sur un socle, suivre les instructions fournies avec le socle.

Lots de superposition

⚠ AVERTISSEMENT

Lorsque vous installez un sèche-linge superposé, vous devez utiliser un tuyau de gaz souple.

L'utilisation d'une conduite d'amenée de gaz intérieure dure ou rigide sur un sèche-linge à gaz « superposé » est INTERDITE.

Deux lots de superposition sont disponibles.

Lot de superposition de base

Ce lot permet de superposer le sèche-linge sur le lave-linge et augmente la hauteur de superposition d'environ 0,63 pouces (16 mm). Voir les dimensions, page 41.

La pièce n° WTZ 1601 est pour le lot de superposition mécanique de base.

Lot de superposition avec tablette coulissante

Ce lot de superposition vous permet d'installer le sèche-linge sur le lave-linge et comporte également une tablette coulissante. Ce lot augmente la hauteur du lave-linge et du sèche-linge superposés l'un sur l'autre d'environ 1,52 pouces (38,6 mm). Voir les dimensions, page 41.

Ce lot peut également être combiné au lot de montage du socle pour fournir une tablette coulissante et augmenter la hauteur globale du sèche-linge d'environ 16,5 pouces.

i Le socle ne peut pas être combiné au lot de superposition avec tablette coulissante dans les installations lave-linge/sèche-linge superposés.

La pièce n° WTZ 1600 est pour le lot superposition avec tablette coulissante blanc uni.

D'autres couleurs de lots de superposition avec tablette coulissante peuvent être disponibles. Le n° de référence de la pièce est WTZ 1600 « X » où X représente la couleur disponible (par ex. : A pour Anthracite, S pour argent). Veuillez demander à votre revendeur quels sont les choix de couleurs disponibles.

Préparation pas à pas au transport du sèche-linge

- i** Ces procédures doivent être effectuées uniquement par une personne qualifiée.
1. Fermez le robinet de gaz.
 2. Amenez le programmateur sur «OFF».
 3. Couper l'alimentation électrique (fermer le disjoncteur et débrancher l'appareil)
 4. Débranchez le conduit de gaz.
 5. Fermez le robinet d'eau connecté au tuyau d'alimentation en eau. Débranchez le tuyau d'alimentation en eau.
 6. Débranchez le conduit de l'orifice d'échappement d'air situé contre l'appareil.
 7. Rassemblez tous les accessoires et emballez-les pour les expédier avec l'appareil.
 8. Fermez la porte et maintenez-la fermée avec du ruban adhésif.
 9. Révissez les pieds réglables en hauteur dans le corps de l'appareil pour empêcher qu'ils soient endommagés pendant le transport.
 10. **Réinstallation du sèche-linge dans un nouvel emplacement** – reportez-vous aux instructions d'installation contenues dans ce manuel (consultez la page 40).

INSTRUCTIONS D'UTILISATION

Avant d'allumer le sèche-linge

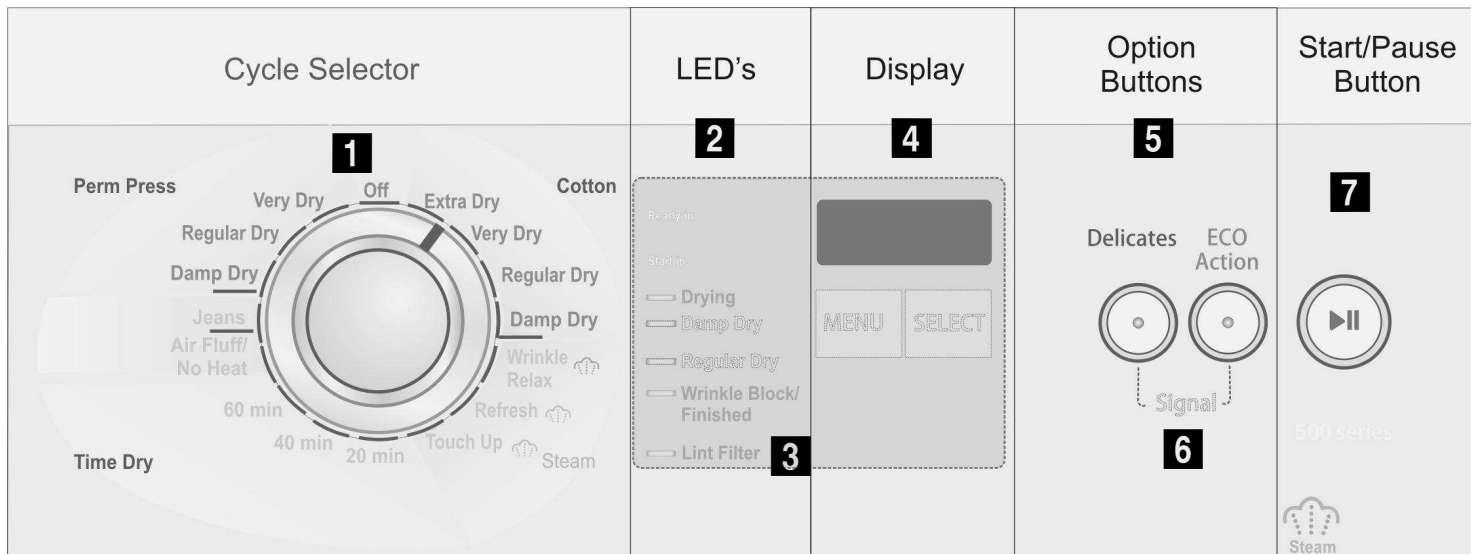
AVERTISSEMENT

Lire les CONSIGNES DE SÉCURITÉ IMPORTANTES avant de faire fonctionner cet appareil, afin de réduire le risque d'incendies, de décharges électriques ou de blessures corporelles.

AVERTISSEMENT

Avant d'utiliser votre sèche-linge, veuillez lire et respecter toutes les instructions d'installation et d'utilisation.

Le bandeau de commande



1 Programmateur

Sélectionnez un programme. Voir page 22. Vous pouvez le faire tourner dans les deux directions.

Pour éteindre le sèche-linge, tourner le sélecteur de cycle sur la position « Off » (Arrêt).

2 Voyant indicateur (LED)

Les DEL s'allument l'une après l'autre pour indiquer la teneur en humidité actuelle du processus de séchage.

Wrinkle Block/Finished – à la fin du programme de séchage, un signal sonore retentit et la DEL Wrinkle block (Élimination des faux-plis) s'allume. La rotation du tambour s'opère à intervalles spécifiques pendant une heure pour éviter que la lessive ne se froisse (voir page 57).

3 La DEL du filtre à charpie

Clignote pour vous rappeler de nettoyer le filtre à charpie après chaque cycle. Clignote pendant 10 secondes lorsque le hublot est ouvert à la fin d'un cycle, ou en cas de réduction du passage de l'air au point d'engendrer l'erreur « Cln » ou « E:12 » (voir le guide de dépannage, page 64).

4 Ecran

Série 300 et 500

Le compte à rebours de l'affichage à DEL indique la durée restante estimée d'un cycle en cours d'exécution (en minutes).

800 Series

Indique les paramètres des options supplémentaires et la durée restante prévue des programmes. (voir page 59)

Options supplémentaires

Menu sélectionne l'une des options supplémentaires
Select (Sélection) modifie les paramètres de l'option sélectionnée

5 Boutons des options

Ajoutez des fonctions au programme sélectionné. La DEL du bouton d'option est allumée lorsque l'option est sélectionnée. Appuyez de nouveau sur le bouton d'option pour la désactiver (la DEL s'éteint).

Delicates: Appuyez sur ce bouton pour les textiles sensibles à la température (par exemple les fibres en acrylique). La température du processus de séchage est réduite, la durée de séchage est prolongée en conséquence.

ECO Action: Appuyez sur ce bouton pour faire des économies d'énergie supplémentaires (utiliser uniquement pour les programmes automatiques Coton et Perma-press). Appuyez sur le bouton d'option avant de démarrer un programme automatique.

6 Signal

Série 300 et 500

Appuyer simultanément sur les deux boutons d'option pour armer le signal sonore. À la fin du cycle, le signal sonore retentit (voir page 56). Appuyer de nouveau sur les deux boutons pour désactiver le signal.

800 Series

Le signal du modèle de la série 800 est programmé à l'aide du menu ACL (voir page 59).

7 Bouton Start/Pause

Ce bouton sert à faire démarrer, à interrompre et à mettre fin au processus de séchage.

État du voyant DEL Démarrage/Pause

Allumé en rouge : Le programme est en marche et la touche "Pause" peut être activée.

Clignotant : Les paramètres peuvent être modifiés, le cycle de séchage peut démarrer ou le programme est en mode « Pause ».

Non allumé : Le programme est terminé ou il n'y a plus de programme sélectionné.

Informations de sécurité supplémentaires

AVERTISSEMENT

Respectez toujours les INSTRUCTIONS DE SÉCURITÉ IMPORTANTES (voir page 38).

Protection de l'environnement

Conseils pour économiser de l'énergie

Pour économiser de l'énergie, de l'argent et du temps, Bosch vous recommande ceci :

- **Essorez suffisamment le linge.**
Avant de procéder au séchage, bien essorer le linge dans la machine à laver. Utiliser la vitesse d'essorage la plus élevée possible appropriée pour le type de linge ! Les vitesses d'essorage élevées peuvent réduire l'humidité résiduelle, ainsi que la durée de séchage et la consommation d'énergie.
- **Mettez la charge maximale de linge.**
Utiliser des charges volumineuses sans pour autant dépasser les charges maximales recommandées pour le cycle et le type de linge. Toutefois, ne pas dépasser la capacité de charge maximale recommandée.
- **Nettoyez le filtre.**
Vérifier le filtre à charpie avant d'utiliser le sèche-linge et à chaque utilisation et nettoyer le filtre au besoin. Le fait de s'assurer que le filtre à charpie est propre avant de sécher chaque charge de linge se traduit par une amélioration du passage de l'air et réduit la durée de séchage.
- **Aérez la pièce.**
Assurer un apport d'air frais suffisant pendant le processus de séchage.
- **Ne séchez pas de matériaux inadaptés!**
Ne faites pas sécher de pièces de linge enrobées de caoutchouc ou hermétiques.

- **Nettoyez et inspectez régulièrement le système d'évacuation !**
Les blocages peuvent prolonger la durée de séchage ou empêcher le sèche-linge de fonctionner correctement.

Débranchement temporaire du sèche-linge

Ne faire fonctionner le sèche-linge que lorsque vous êtes chez vous. Si vous prévoyez de partir en vacances ou si vous n'utilisez pas le sèche-linge pendant une période de temps prolongée, suivez les instructions suivantes :

1. Ramener le disjoncteur en position éteinte.
2. Si possible, débrancher la prise de courant.
3. Fermez le robinet de gaz.
4. Nettoyer le filtre à peluches.
5. Couper l'arrivée d'eau (uniquement pour les sèche-linge Steam).

Linge

Détermination de la nature du tissu

Veuillez respecter les symboles de traitement figurant sur les étiquettes des pièces de linge. Elles contiennent des informations précieuses ainsi que des restrictions quant au processus de séchage.

Avec cet appareil, ne séchez pas les textiles suivants :

- Textiles étanches (par ex. enrobés de caoutchouc)
- Les textiles délicats (soie, voilages synthétiques)

i Faire sécher les lainages et les textiles riches en laine uniquement avec la grille du sèche-linge !

i Servez-vous du programme à durée limitée «Air fluff/No heat» (Défouillage à l'air/aucune chaleur) pour sécher les articles contenant du caoutchouc mousse ou des articles à texture similaire à celle du caoutchouc.

Conseils pour le séchage

En principe, les instructions suivantes s'appliquent à tous les programmes de séchage :

- Pour obtenir des résultats de séchage uniformes, trier le linge en fonction du type de tissu et du cycle de séchage sélectionné.
- Fermer les fermetures à glissière, les agrafes et portes, les ceintures lâches, les ceintures de tabliers, etc.
- Ne séchez pas à l'excès le linge synthétique – risque de le froisser ! Laissez ce linge finir de sécher à l'air.
- Ne repassez pas le linge immédiatement après le séchage. Laissez le linge reposer en pile pendant un petit moment. Ceci permettra à l'humidité résiduelle de se répartir uniformément.
- Les textiles en tricot (p. ex. les tee-shirts, les pulls molletonnés et autres types de linge similaires) rétrécissent souvent la première fois qu'on les sèche. Ne pas utiliser les cycles « Very dry/Extra dry » (Très sec/Extra sec) la première fois que vous faites sécher ce type de linge afin d'éviter un rétrécissement éventuel.

Certains articles de ce type peuvent également rétrécir au cours de lavages ultérieurs. Prendre des précautions lors de la sélection du cycle afin d'éviter le rétrécissement du linge.

Sélection des cycles

Pour des résultats de séchage optimum, votre sèche-linge possède plusieurs groupes de programmes et options supplémentaires.

Les cycles automatiques comprennent Regular/Cotton (Normal/Coton) et Permanent Press (Tissus infroissables). La sélection des cycles dépend en partie du type de tissu du linge. Ces cycles sont contrôlés via des capteurs d'humidité. La durée de cycle est déterminée par la mesure du degré d'humidité dans le linge et par le degré de séchage sélectionné (p. ex. Damp dry (Séchage humide), Regular Dry (Séchage normal), Extra Dry (Extra sec).

Les cycles minutés s'exécutent pendant une durée de temps spécifiée par l'utilisateur. Le cycle minuté Air fluff/No heat (Air froid/Sans chaleur) utilise l'air ambiant (à la température de la pièce) sans ajouter de chaleur et s'exécute pendant environ 20 minutes, selon le modèle de sèche-linge particulier.

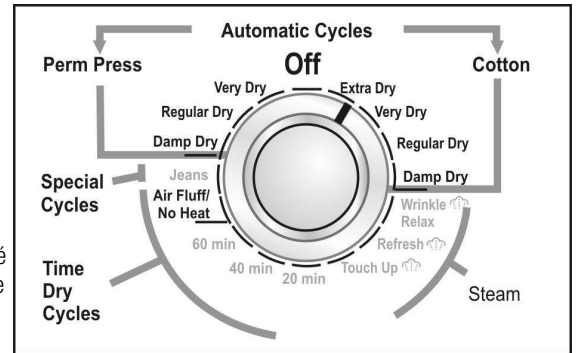
Les cycles spécialisés sont adaptés en fonction du type de tissus tels que la laine ou les jeans. Les lainages ou articles laineux doivent être séchés uniquement avec la grille du sèche-linge.

Les cycles **Steam** est particulièrement indiqué pour éliminer les faux plis et réduire les odeurs. Ces programmes doivent être utilisés avec des lessives contenant trois ou quatre articles en coton infroissable, composés d'un mélange de coton et polyester, des pull-overs en coton ou des synthétiques. Les cycles **Steam** est available on modèle unique seulement.

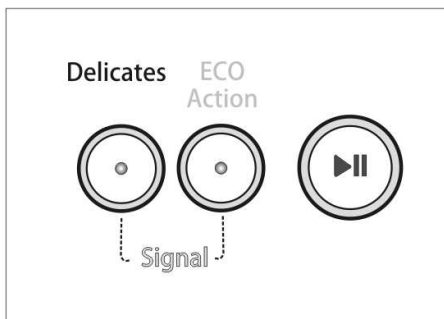
Pendant le cycle Steam, une petite quantité d'eau est vaporisée à l'intérieur du tambour pendant le culbutage et l'apport de chaleur. Ce processus est répété, puis le sèche-linge passe par une période de culbutage supplémentaire suivi par une courte période de refroidissement. Le niveau de chaleur et la durée de séchage de ces cycles sont préalablement définis.

Remarque : Les résultats varient en fonction du type de tissu.. Il est possible que les vêtements 100 % coton avec fini infroissable donnent de meilleurs résultats.

Si le gicleur s'arrête de vaporiser pendant l'un des cycles **Steam** (les symptômes à observer sont l'absence de vaporisation d'eau dans le tambour, des vêtements plus froissés qu'habituellement lorsque vous utilisez cette fonction), assurez-vous que le gicleur n'est pas bouché. La charpie peut s'accumuler sur le gicleur et bloquer son fonctionnement ou l'eau dure peut entraîner une accumulation de dépôts sur le gicleur (voir page 65).



Option Boutons



Delicates (Tissus délicats)

Appuyer sur le bouton « Delicates » (Tissus délicats) pour les textiles sensibles à la température. Remarquer les consignes d'entretien ou les symboles figurant sur ces tissus. Cette option a pour effet de réduire la température du processus de séchage et de prolonger la durée de séchage.

ECO Action

Votre sèche-linge est doté d'une option « Économie d'énergie » ECO. Cette option est utilisée uniquement avec les programmes automatiques Coton et Perma-press. Moins de chaleur est appliquée et la durée de séchage est prolongée. Appuyez sur le bouton d'option avant de démarrer un programme automatique.

i Les "économies d'énergie" réalisées grâce au programme ECO e sont affectées par la taille de la charge de lavage, le type de textile et les conditions climatiques.

i En combinaison avec le bouton Delicates low temp. (Délégats/Basse température), ce programme peut faire réaliser des économies d'énergie supplémentaires.

Signal (Signal sonore)

300 and 500 Series Dryers

Votre sèche-linge émet un signal sonore afin d'avertir l'utilisateur de certains événements. Armer le signal sonore en appuyant simultanément sur les boutons d'option « Delicates » (Délégats) et « ECO Action ».

Pour désactiver le signal, appuyer de nouveau simultanément sur les deux boutons d'option. Chaque appui simultané des deux boutons a pour effet d'activer et de désactiver le signal.

Il n'est pas nécessaire de maintenir les boutons enfoncés après avoir appuyé dessus.

Le signal émit varie en fonction du tableau suivant.

Signal	Type
Départ	Signal bref
Fin	Séquence de tons courts
Sélection inexacte	Séquence de tons longs
Alarme de dérangement	Séquence de tons longs

i Le signal «alarme de dérangement» fonctionne dans tous les cas.

Voyants DEL de séquence de cycle

Le sèche-linge utilise un système de balayage électronique pour tous les cycles sauf pour les cycles minutés. Un capteur d'humidité contrôle l'humidité du linge en continu. Le séchage se termine automatiquement dès que le degré de séchage sélectionné est atteint.

Le degré de séchage en cours est indiqué par des voyants DEL. Chaque voyant s'allume tour à tour au fur et à mesure de la progression du séchage.

La DEL située à gauche de la mention « Drying » (Séchage en cours) s'allume lorsque le cycle de séchage sélectionné débute. Sur certains modèles, la DEL s'allume pour les cycles « Damp Dry » (Séchage humide) et « Regular Dry » (Séchage normal) pour indiquer que chaque étape a été atteinte.

Lorsque la lessive est sèche, la DEL située à côté de la mention « Wrinkle Block/Finished » (Antifroissage/Terminé) s'allume.

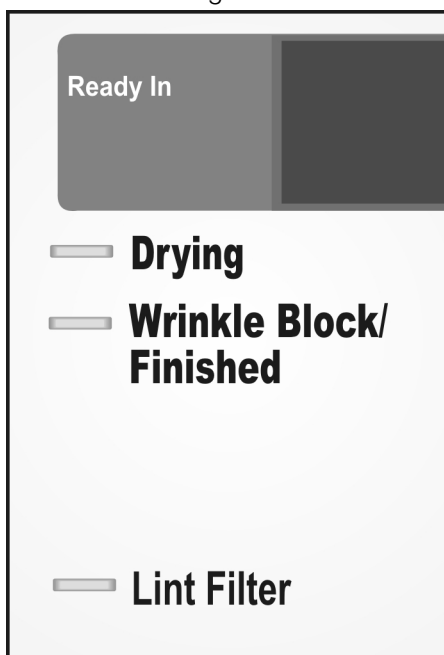
«Wrinkle Block/Finished»

Le tambour continue de tourner à intervalles précis pendant une heure pour réduire la formation de plis sur le linge. Pour obtenir des résultats plus performants, sortir le linge de la machine dès que le cycle est terminé ou pendant le déroulement du cycle « Wrinkle Block ».

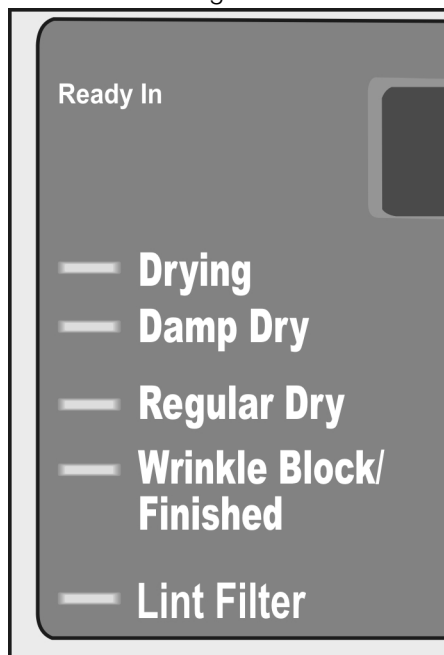
Le cycle Wrinkle Block® débute lorsque la phase de séchage est terminée pour chaque cycle à l'exception du cycle Lainages. À la fin du cycle de séchage, la fonction Wrinkle BlockR permet au tambour de tourner pendant environ 16 secondes toutes les 2 minutes pendant les 10 premières minutes, puis pendant environ 16 secondes toutes les 5 minutes pendant les 50 minutes suivantes.

Les voyants DEL varient en fonction du modèle

DEL du Sèche-linge de la série 300



DEL du Sèche-linge de la série 500



DEL du Sèche-linge de la série 800



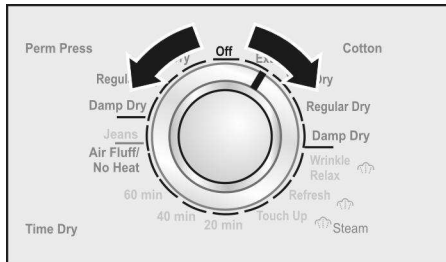
i Si un voyant DEL ou un bouton s'allume sur le panneau lorsque le sélecteur de cycle est mis en position d'arrêt (« Off »), veuillez couper le disjoncteur et appeler le service après-vente.

Tableau de sélection de cycle

Programmes automatiques		
Cotton (Coton)		
Pour les cotons et le linge de couleur en coton ou en lin Appuyez sur le bouton «Delicates low temp.» pour sécher les textiles craignant la chaleur.		
Damp dry (Humide)	Lingerie de lit et de table	qu'il faut repasser
	Lingerie de lit et de table, serviettes, T-shirts, maillots de sport, tabliers	
	T-shirts, maillots de sport, tenues, pantalons, tabliers, lingerie de corps	
Regular dry (Normalement sec)	Serviettes en tissu éponge, serviettes de cuisine et à mains, lingerie de lit, lingerie de corps, chaussettes en coton	qu'il ne faut pas repasser
Very dry (Très sec)	Serviettes en tissu éponge, serviettes de cuisine et à mains, lingerie de lit, lingerie de corps, chaussettes en coton	qu'il ne faut pas repasser, à plusieurs couches épaisses
Extra dry (Extra sec)	Peignoirs de bain en tissu éponge, linge de lit en tissu éponge	particulièrement épais ou comportant plusieurs couches
Permanent Press (Tissus infroissables)		
Linge facile à entretenir (encore gouttant), à base de tissus synthétiques et mixtes, de coton, en polyester par ex. Appuyez sur le bouton «Delicates low temp.» pour sécher les textiles très sensibles à la chaleur		
Damp dry (Humide)	Pantalons, tenues, jupes, chemises, chemisiers, leggings, tenues de sport et fibres à fort pourcentage synthétique, lingerie	qu'il ne faut pas repasser ou alors seulement légèrement.
Regular dry (Normalement sec)	Chemises, chemisiers, tenues de sport	qu'il ne faut pas repasser
Very dry (Très sec)	Lingerie de lit et de table, survêtements, anoraks, draps	qu'il ne faut pas repasser, à plusieurs couches épaisses
Cycles Steam		
Steam Refresh (Rafraîchissement)	Coton, mélanges coton-polyester, tissus à maille courants et chemises synthétiques, pantalons constitués d'un mélange de coton, jupes, t-shirts et pull-overs. Les tissus infroissables donnent les meilleurs résultats. Permet d'éliminer les faux plis et de réduire les odeurs. Utilisez avec une petite lessive, par exemple 3 ou 4 chemises. La durée du programme est de l'ordre de 16 minutes.	
Steam Wrinkle relax (Défroisser)	Permet d'éliminer les faux plis. Utilisez avec une petite lessive, par exemple 3 ou 4 chemises. La durée du programme est de l'ordre de 12 minutes.	
Steam Touch up (Retoucher)	Ce programme est utilisé pour rafraîchir une lessive contenant des textiles en coton qui a été séchée et laissée dans le tambour à la fin de cycle jusqu'au lendemain matin. Ce programme de 20 minutes rafraîchit la lessive en éliminant les faux plis qui se sont formés du fait de la pression exercée sur le linge par le poids de la lessive.	
	Les vêtements contenant de la mousse, du caoutchouc ou du plastique doivent être rafraîchis sur une corde à linge ou moyennant le cycle Air-fluff/No heat (Défouillage à l'air/Aucune chaleur), car ces articles risquent de s'enflammer du fait de la chaleur émise par le programme Steam.	
Special Programs		
Wool	Textiles de laine lavables (par exemple les tricots, les pull-overs de laine, les jupes) Faites sécher les textiles de laine ou en mélange de laine seulement avec la grille !	
Jeans	Tissu de jean lourd	
Dark Color	L'obscurité a coloré des textiles (par exemple lourd, l'obscurité vêt (le coton))	
Quick (Rapide) (Série 800)	Petites lessives, lessives qui n'ont pas besoin de sécher longtemps (par exemple les chemises de sport, les vêtements de travail [coton, synthétiques])	
Time Programs		
20, 40 min., 60 min. (300 & 500 Series) Medium + required drying time (800 Series) (Série 800) Si vous choisissez un programme avec durée variable (par exemple les programmes à minuterie, Wool Care [soin de la laine]) l'affichage commence à clignoter. Vous devez programmer la durée.	Les textiles pré-séchés à basse teneur en humidité, les articles individuels de petite taille, comme par exemple les serviettes de bain, les maillots de bain, les torchons. Pour les très petites lessives pesant de 0,22 à 0,44 lb (100 à 200 g) (une petite serviette par exemple), sélectionnez un programme de séchage court. Appuyez sur le bouton «Delicate» si ces textiles sont sensibles à la chaleur. – Textiles sensibles à la chaleur.	
Air fluff / No heat (300/500 Series) Air fluff / No heat + required time (800 Series)	Ravivement ou aération des articles vestimentaires rarement portés et séchage des textiles très fragiles. Pour tous les types de textiles, y compris le caoutchouc mousse (p. ex. oreillers, jouets en peluche), le plastique (p. ex. rideaux de douche, nappes), le caoutchouc (p. ex. tapis renforcés), le nylon voile et l'oléfine.	

Additional options 800 Series

i D'autres options peuvent être définies mais uniquement après la sélection d'un cycle de séchage. Régler le sélecteur de cycle sur le cycle de séchage souhaité, puis sélectionner les options voulues à partir du menu ACL.



Sélectionner l'option à modifier à l'aide du bouton « Menu ». Appuyer sur le bouton pour afficher l'option suivante sur l'écran. Le symbole activé clignote.



Le paramètre de l'option sélectionnée est affiché du côté droit de l'écran ACL.

Lorsqu'un paramètre est affiché activement, il peut être modifié à l'aide du bouton « Select » (Sélection). Appuyer sur le bouton « Select » (Sélection) pour afficher le paramètre possible suivant.

i Le fait d'appuyer sur le bouton « Menu » alors que l'option est affichée a pour effet de sauvegarder le nouveau paramètre.

i Si vous n'appuyez pas de bouton pour de 10 seconde, les cadres sont automatiquement épargnés.

Symbole	Fonction	Reglage possible	Explication														
	Fixe l'heure de départ différé du sèche-linge (départ dans ... heures)	0-12 h (par pas de 0,5 h)															
	Extra care (Traitement encore plus doux que la fonction «Delicates/low temp.»)	On/Off	Si vous avez choisi l'option supplémentaire « Extra care » (Entretien supplémentaire), le voyant « Delicates » (Tissus délicats) s'allume. Le fait d'appuyer sur le bouton « Delicates » (Tissus délicats) annule l'option supplémentaire « Extra care » (Entretien supplémentaire).														
	Protection enfants (active seulement pendant la marche du programme)	On/Off	Cette option additionnelle vous permet de fermer vos arrangements pour empêcher l'utilisation fortuite du dessiccateur. Pour mettre en marche le dessiccateur quand la garde de sûreté est en activité : Appuyez sur et tenez le bouton "début / arrêt" pendant 4 secondes. Pour ouvrir cette option additionnelle quand le dessiccateur fonctionne : Appuyez sur et tenez le bouton "début / arrêt" pendant 4 secondes.														
	Extra Drying Time (Durée de séchage supplémentaire) Degré de séchage à sélectionner par l'utilisateur	0, 1, 2, 3 (0=defaut, 1=plus sec, 3=le plus sec)	Si vous avez choisi les étapes 1 à 3 de l'option additionnelle "degré de la sécheresse" le symbole est montré. 0 est la norme plaçant 0 symboles n'est pas montré.														
	Volume du signal sonore en fin de séchage et du signal prévenant que le linge a atteint le degré de séchage Damp dry	Off medium maximal	Votre sèche-linge émet divers signaux pour certains événements. Ceux-ci sont répertoriés ci-dessous.														
<p>Comportement du signal à la fin du cycle sélectionné</p> <p>Le signal retentira en fin de cycle pour avertir l'utilisateur que le cycle est terminé. La fonction Wrinkle Block (Antifroissage) fait sécher le linge par culbutage périodique pendant environ une heure une fois le cycle de séchage terminé. Le signal retentira à intervalles pendant le cycle antifroissage pour signaler que la lessive est sèche.</p>			<table border="1"> <thead> <tr> <th>Event</th> <th>Signal</th> </tr> </thead> <tbody> <tr> <td>Permettez le signal</td> <td>Tonalité courte</td> </tr> <tr> <td>Neutralisez le signal</td> <td>Deux tonalités courtes</td> </tr> <tr> <td>Début de cycle</td> <td>Tonalité courte</td> </tr> <tr> <td>Fin de cycle (ou pendant la fonction « Wrinkle Block »)</td> <td>Ordre des tonalités courtes</td> </tr> <tr> <td>Défaut de fonctionnement</td> <td>Ordre de longues tonalités</td> </tr> <tr> <td>Avertir du défaut de fonctionnement</td> <td>Ordre de longues tonalités (maximum volume)</td> </tr> </tbody> </table>	Event	Signal	Permettez le signal	Tonalité courte	Neutralisez le signal	Deux tonalités courtes	Début de cycle	Tonalité courte	Fin de cycle (ou pendant la fonction « Wrinkle Block »)	Ordre des tonalités courtes	Défaut de fonctionnement	Ordre de longues tonalités	Avertir du défaut de fonctionnement	Ordre de longues tonalités (maximum volume)
			Event	Signal													
			Permettez le signal	Tonalité courte													
			Neutralisez le signal	Deux tonalités courtes													
			Début de cycle	Tonalité courte													
			Fin de cycle (ou pendant la fonction « Wrinkle Block »)	Ordre des tonalités courtes													
			Défaut de fonctionnement	Ordre de longues tonalités													
Avertir du défaut de fonctionnement	Ordre de longues tonalités (maximum volume)																
	La durée de séchage optimisée par la vitesse de rotation coordonne le temps restant affiché pour le sèche-linge et la vitesse de rotation à laquelle la lessive a été préalablement essorée dans le lave-linge.	400 600 800 1000 1200	Pour optimiser la durée restante affichée, la vitesse de rotation à laquelle la lessive a été préalablement essorée dans le lave-linge peut être saisie par l'utilisateur.														

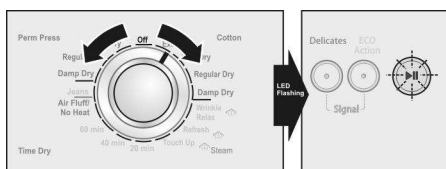
Utilisation

Utilisation du sèche-linge

1. Ouvrez la porte.
2. Check lint filter.

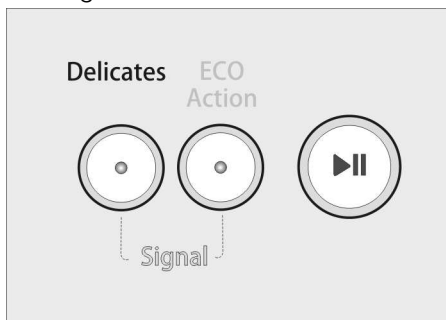
Le filtre doit être nettoyé avant le séchage de chaque lessive. Le nettoyage du filtre réduit la durée de séchage et permet de réaliser des économies d'énergie. (Voir la page 61 pour connaître les instructions de nettoyage du filtre).

- i** La javel peut décolorer la face externe en couleur de sèche-linge. Pour cette raison, il est important de ne pas faire entrer en contact la face externe en couleur de votre sèche-linge avec de la javel. Si vous faites tomber de la javel sur sa face externe, nettoyez cette dernière immédiatement et avec soin à l'aide d'un essui-tout humide.



3. Tourner le sélecteur de cycle pour le placer sur le cycle de séchage souhaité. Sélectionner le programme qui convient à la lessive que vous avez placée à l'intérieur du sèche-linge en vous référant au tableau de sélection de cycle (voir page 62). Lorsqu'un cycle est sélectionné, la lumière du tambour s'allume à l'intérieur du sèche-linge.

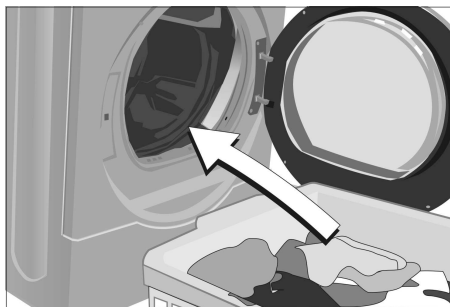
- i** Le voyant «start/stop» se met à clignoter.



4. Si nécessaire, sélectionner une option disponible (« Delicates » ou « ECO Action ») en appuyant sur le bouton correspondant (voir les illustrations ci-dessus).

L'effet de chaque bouton d'option est expliqué page 56.

- i** Le temps restant prévu sera affiché.



5. Placer la lessive dans le tambour vide. Mettre chaque article de linge dans la machine, l'un après l'autre, afin d'éviter les enchevêtrements.

Pour obtenir les meilleurs résultats, trie d'abord le linge en fonction du type de linge et du degré de séchage requis. La page 55 contient des informations plus détaillées 59.

- i** Respecter les recommandations d'entretien des fabricants de vêtements et de tissus. Si vous devez faire sécher des lainages et des chaussures, voir les informations page 62.

- i** **S'assurer que le tambour contient uniquement du linge. Vérifier que le linge est bien à l'intérieur du tambour et que rien n'est resté coincé entre le hublot et le bâti du sèche-linge ou le joint d'étanchéité du hublot.**

6. Refermez la porte.

Le voyant «Start/Stop» se met à clignoter.

7. Appuyer sur le bouton « Start/Pause » (Mise en marche/Pause). Le cycle sélectionné débute et le voyant « Start/Pause » (Mise en marche/Pause) s'arrête de clignoter et reste allumé.

- i** Si vous n'avez pas fermé la porte correctement, le sèche-linge ne démarrera pas.

- i** Le cycle débute par un signal sonore (si défini). Voir en page 56 pour la procédure de paramétrage du signal pour les sèche-linge dotés d'un écran DEL, et en page 59 pour le paramétrage et l'ajustage du signal sonore pour les sèche-linge dotés d'un écran ACL.

Voyants DEL d'état de cycle

Si vous avez sélectionné un cycle de séchage standard (et non pas un cycle de séchage minuté), le voyant indique l'état de la séquence du cycle. La séquence DEL indiquée ci-dessous correspond aux sèche-linge de la série 500 et 800. Le sèche-linge de la série 300 est doté de DEL pour les fonctions «Drying» (Séchage) et «Wrinkle Block/Finished» (Antifroissage/Terminé).

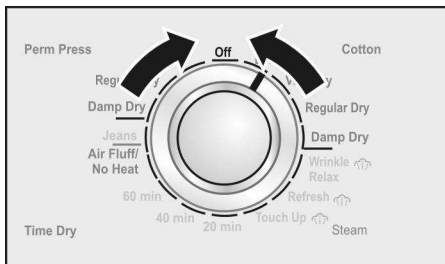


- i** À la fin d'un cycle, un signal sonore retentit (si défini) et la DEL «Wrinkle Block/Finished» (Antifroissage/Terminé) s'allume.

Le signal sonore continue de retentir par intermittence pendant le déroulement du cycle «Wrinkle Block» (Antifroissage).

i Lorsque le processus de séchage est terminé (le cycle ou la durée sélectionnée sont terminés), le tambour tourne à intervalles précis pendant une heure du fait de la fonction « Wrinkle Block » (Antifroissage). Ceci empêche le linge de se froisser. Le linge n'est pas froissé et reste moelleux jusqu'à ce qu'il soit retiré de la machine. Le linge doit être sorti de la machine avant l'expiration de cette durée.

8. Ouvrez la porte.
9. Sortez le linge du sèche-linge.



10. Amenez le programmateur sur «Off». L'éclairage du sèche-linge s'éteint.
11. Nettoyez le filtre. Il faudrait nettoyer le filtre après chaque séance de séchage. Le nettoyage du filtre réduit la durée de séchage et permet d'économiser de l'énergie.
12. Refermez le hublot.

Nettoyage du filtre à peluches

Un filtre sale a tendance à prolonger la durée de séchage et augmente la consommation d'énergie. Le filtre doit être nettoyé avant de faire sécher chaque lessive.

Si un signal d'avertissement et un message d'alerte « CLn » ou « E:12 » sont émis pendant le programme de séchage, nettoyer immédiatement le filtre et vérifier le conduit d'évacuation.

Ne pas rincer ni laver le filtre pour enlever les charpies. La charpie humide est plus difficile à enlever. Rouler la charpie sèche avec vos doigts pour l'enlever. Mouiller légèrement les doigts pour de meilleurs résultats.

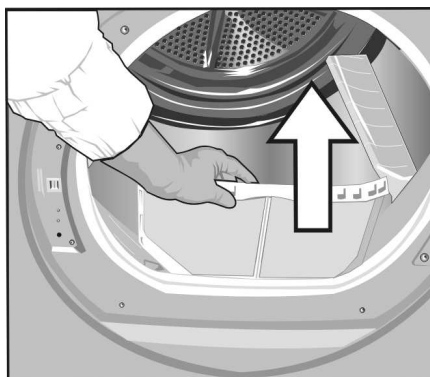
Pour nettoyer le filtre à charpie, suivre les étapes suivantes :

1. Eteignez le sèche-linge. Ramenez le programmateur sur «Off».

⚠ PRUDENCE

L'intérieur du hublot se chauffe pendant le processus de séchage. Éviter de toucher les surfaces chaudes avant qu'elles n'aient eu le temps de refroidir.

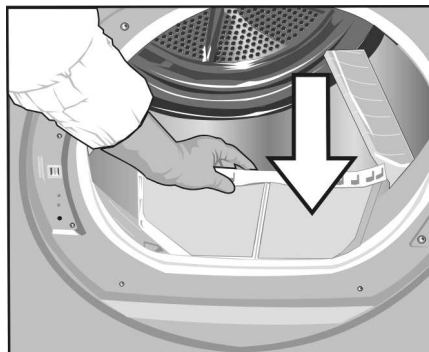
2. Ouvrez la porte.
3. Retirez le filtre à peluches.



4. Retirez les peluches en passant la main sur le filtre



5. Remettez le filtre en place.



6. Refermez la porte.

i **Ne pas faire fonctionner le sèche-linge sans avoir mis le filtre à charpie en place !**

Retrait des résidus accumulés

Des résidus de détergents à lessive et de produits assouplissants risquent de s'accumuler sur le tamis du filtre à charpie. Ces résidus accumulés peuvent engendrer des durées de séchage plus longues. L'utilisation de feuilles d'assouplissant dans le sèche-linge n'est pas recommandée. Si vous décidez d'utiliser des feuilles d'assouplissant, veuillez nettoyer périodiquement le filtre à charpie pour éliminer les résidus.

i Si la charpie se décolle du tamis et se dépose dans le sèche-linge, il faudra probablement nettoyer les résidus accumulés.

Le filtre doit être légèrement brossé avec de l'eau savonneuse chaude au mois deux fois par an. Un filtre couvert de résidus aura tendance à retenir l'eau même si le tamis ne présente pas de peluches. Le filtre est propre lorsqu'il ne retient plus l'eau. Sécher le filtre à fond avant de le remettre en place à l'intérieur du sèche-linge.

Pour retirer les résidus, suivre les étapes suivantes :

1. Nettoyer toute la charpie du filtre à charpie.
2. Mouiller les deux côtés du filtre avec de l'eau chaude.
3. Humecter une brosse douce en nylon avec de l'eau chaude et un détergent liquide.
4. Récuser légèrement le filtre à charpie avec la brosse pour enlever les résidus accumulés. Éviter d'endommager le filtre.
5. Rincer le filtre à l'eau chaude.
6. Sécher complètement le filtre avec une serviette propre.
7. Replacer le filtre à charpie dans la sècheuse.

i **Ne pas faire fonctionner le sèche-linge sans avoir mis le filtre à charpie en place !**

Utilisation du tiroir de séchage

(Accessoire, voir page 51)

Servez-vous du tiroir de séchage pour sécher les textiles lavables en laine (les chandails par ex.) et les chaussures. Le tiroir de séchage reste immobile tandis que le tambour tourne.

La laine humide ne doit pas être séchée par culbutage du tambour car elle a tendance à se feutrer et à rétrécir. Le séchage de chaussures sans la grille risque d'endommager le tambour.

i Le sèche-linge doit être utilisé pour le séchage au cycle laine. Si le sèche-linge n'est pas utilisé, le capteur arrêtera la sècheuse environ 3 minutes après et l'écran affichera "----".

NOTIFICATION

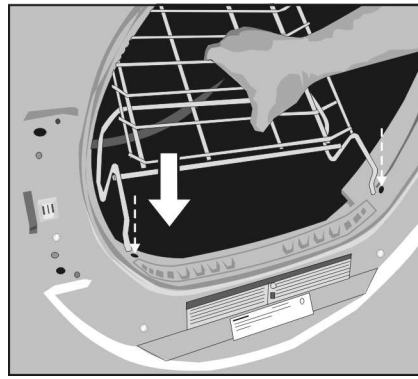
Ne faites sécher qu'un vêtement ou une paire de chaussure à la fois (charge maximale de linge sec 2,2 lbs (1 kg)). Il faut que le linge ait été essoré. Ne séchez que des chaussures préalablement lavées. Le linge ne doit pas toucher le tambour car il pourrait se coincer et être endommagé par le tambour. Après avoir utilisé le tiroir de séchage, retirez-le immédiatement du sèche-linge.

Insertion du tiroir de séchage

1. Ouvrez la porte du sèche-linge.
2. Vérifiez que le tambour est vide.



3. Tenir la grille du sèche-linge par la section centrale comme indiqué ci-dessous et l'insérer complètement à l'horizontale dans le tambour. Le ramener ensuite vers l'avant et aligner les extrémités avant sur les deux trous.



4. Après avoir engagé les deux extrémités avant dans les trous, abaisser l'arrière de la grille pour qu'elle se mette en place, appuyée contre la surface intérieure du bâti du sèche-linge.

Sécher des pièces de linge sur le tiroir

1. Plier le linge afin qu'il contienne sur la grille du sèche-linge.
2. Les articles de linge doivent être posés de manière lâche sur la grille du sèche-linge. Ne pas empiler le linge de manière qu'il soit comprimé sur la grille. Ne pas laisser les articles de linge toucher le tambour. Les articles de linge doivent être uniquement en contact avec la grille. Ne pas les laisser pendre par dessus les rebords de la grille.
3. Fermer le hublot en vérifiant que le linge ne reste pas coincé entre le hublot et le bâti ou le joint d'étanchéité du hublot.
4. Pour les articles en laine, sélectionner le cycle « Wool cycle » (Cycle lainages), s'il est offert. Pour d'autres articles, sélectionner l'un des cycles minutés.

Select the drying time according to the laundry type.

Séchage de chaussures sur le tiroir :

1. Préparez les chaussures.
 - Nettoyez les chaussures pour empêcher le tambour de se salir.
 - Si vous préparez des chaussures de sport pour les sécher, tirer la languette des chaussures vers l'extérieur.
 - Desserrez ou retirez les lacets.
 - Retirez les semelles intérieures et les talonnettes.

2. Placez les chaussures sur le panier.

Directement sur le tiroir de séchage

ou

Enroulez une serviette et placez les talons dessus. Ceci permettra d'obtenir un résultat de séchage plus uniforme.

3. Refermez la porte.

4. Appuyer sur le bouton « Start/Pause » (Mise en marche/Pause ». Le voyant « Start/Pause » (Mise en marche/Pause) clignote.

5. S'il reste de l'humidité à l'intérieur des chaussures après la durée de séchage indiquée :

Réorientez les chaussures sur la grille du sèche-linge.

Relancez le programme et réduisez la durée du séchage en fonction du degré d'humidité résiduel requis.

6. Une fois le séchage terminé, aérer les chaussures à la température ambiante pendant environ 30 minutes.

7. Retirez le tiroir de séchage

Cleaning and care

Cleaning the dryer

AVERTISSEMENT

POUE EVITER RISQUE D'EXPLOSION ! Pour nettoyer, n'utilisez jamais de solvants ou de liquides inflammables.

AVERTISSEMENT

Un nettoyage non conforme peut endommager le sèche-linge. Ne pas vaporiser avec une laveuse à pression. Ne pas utiliser d'agents à récurer ou de produits d'entretien tout-usage. Ne pas utiliser de nettoyeurs à vapeur.

Essuyer le bâti et le panneau de commandes uniquement avec un chiffon doux et de l'eau savonneuse. Essuyez le tambour, le joint de la porte et l'intérieur de la porte uniquement avec un chiffon humide.

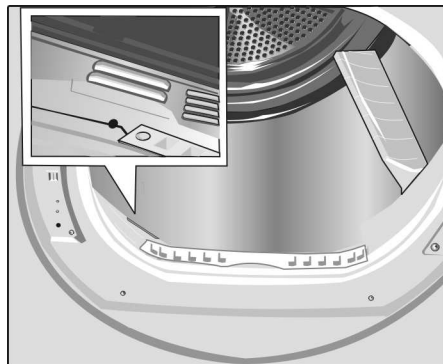
Nettoyage du conduit d'échappement

Inspectez et nettoyez le conduit d'échappement au moins une fois par an pour empêcher qu'il ne se bouche. Un conduit d'échappement partiellement obstrué allonge la durée de séchage.

- Ramener le disjoncteur en position éteinte
- Débrancher la fiche mâle de la prise de courant
- Fermez le robinet de gaz.
- Débrancher le sèche-linge du réseau électrique.
- Débrancher le conduit du sèche-linge.
- Aspirer l'intérieur du conduit pour éliminer la charpie ou les débris pouvant s'y être accumulés.
- Reconnect the duct.
- Professional duct cleaning is recommended. See page 17.

Nettoyage des capteurs d'humidité

Le capteur d'humidité doit être nettoyé périodiquement car une fine couche de résidus transparents accumulés s'y déposent généralement.



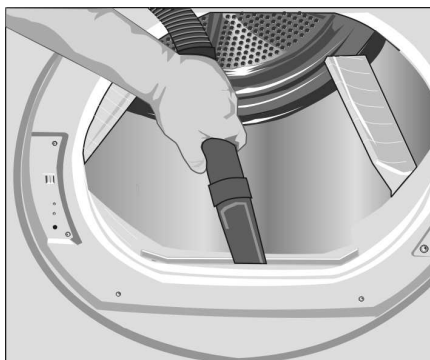
Ce dépôt s'enlève facilement en essuyant les capteurs (il s'agit des deux barres situées à côté du filtre à peluches) au moyen d'un chiffon et d'un peu de vinaigre blanc.

Utiliser uniquement du vinaigre blanc !

Nettoyer le capteur d'humidité une fois par mois.

Nettoyage du bâti du filtre à charpie

Des peluches et des débris de petite taille peuvent s'accumuler dans la partie inférieure de l'ouverture du filtre à charpie. Si vous enlevez le filtre du sèche-linge, vous apercevrez l'accumulation de peluches qu'il vous sera facile d'enlever à l'aide d'un aspirateur doté d'un suceur plat étroit. Si vous n'avez pas de suceur plat pour atteindre le fond de l'ouverture, vous pouvez contacter le service après-vente pour obtenir une liste de fournisseurs et d'accessoires recommandés.



Toute accumulation de peluches ou de débris doit être éliminée avec un aspirateur au moins une fois par mois.

Nettoyage de la buse Steam

Inspectez une fois par an la sortie de bec. Si vous suspectez le colmatage, essuyez l'extérieur du bec avec un tissu humidifié du vinaigre. Si le gicleur est complètement bloqué, consultez le

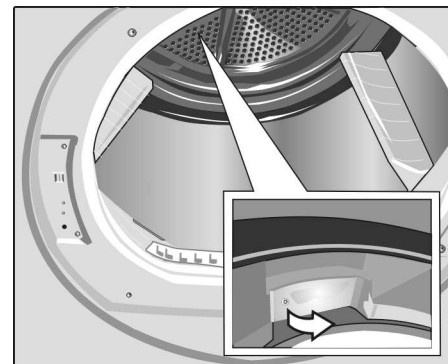
guide de dépannage (voir page 65) pour obtenir des instructions de démontage et de nettoyage. Si vous ne parvenez pas à déboucher le gicleur, appelez le service clientèle (voir page 66).

Changer l'ampoule de l'éclairage

La lumière du sèche-linge s'allume à l'intérieur du tambour lorsque vous ouvrez le hublot et reste allumée pendant environ 5 minutes ou jusqu'à ce que le hublot soit refermé. Elle s'éteint environ 4 secondes après la fermeture du hublot.

Pour changer l'ampoule :

- Placez le sélecteur de programme à "off".
- Ramener le disjoncteur en position éteinte.
- Débranchez la fiche mâle de la prise de courant.
- Ouvrir le hublot et localiser la lumière du sèche-linge sur le côté supérieur gauche du joint.



- Desserrer la vis et ouvrir le cache de la lumière du sèche-linge.
- Tournez l'ampoule en sens inverse des aiguilles d'une montre. Remplacez-la par une ampoule neuve adaptée à l'appareil (fournie par le service après-vente).

i Toutes les pièces sont disponibles auprès de notre site www.boschappliances.com ou en appelant le 1-800-944-2904.

- Remettez le couvercle en place puis fixez-le en position à l'aide de la vis.
- Rebranchez la fiche mâle du sèche-linge dans une prise de courant.

Dérangement et remèdes

AVERTISSEMENT

POUR ÉVITER LES RISQUES DE CHOC ÉLECTRIQUE !

La réparation ou le remplacement de pièces doivent être effectués seulement par un technicien qualifié ou un électricien certifié.

Avant d'appeler le service après-vente, vérifiez si vous ne pouvez pas supprimer la panne vous-même en vous servant du tableau ci-dessous.

Si vous ne parvenez pas à la supprimer ou si une réparation s'impose :

1. Réglez le sélecteur de programme sur «Off».
2. Retirez le fusible.
3. Débranchez la fiche mâle de la prise de courant.
4. Appelez le service après-vente (voir page 66).

Les rubriques de dépannage répertoriées ci-dessous peuvent ne pas être couvertes par le service de garantie !

Veuillez contrôler soigneusement ces points avant d'appeler un technicien.

Problème	Cause possible	Remède
Le sèche-linge ne démarre pas. Le voyant «Start/Stop» ne s'allume pas.	Fiche mâle pas branchée du tout ou alors incorrectement dans la prise de courant.	Branchez la fiche mâle correctement dans la prise de courant.
	Un fusible ou un disjoncteur s'est déclenché.	Remplacer le fusible ou réarmer le disjoncteur.
	Vous n'avez pas appuyé sur le bouton «Start/Stop»	Appuyez sur le bouton «Start/Stop»
	Vous n'avez pas sélectionné de programme.	Sélectionnez un programme.
	Porte pas fermée.	Refermez la porte.
	Température ambiante inférieure à 41 °F / 5 °C	Accroissez la température de la pièce
La lessive est mouillée après avoir séché.	La soupape d'arrête est fermée.	Ouvrir la soupape d'arrête.
Le cycle a été interrompu. Un signal d'avertissement retentit et l'écran affiche « CLn » ou « E:12 ».	Le filtre à peluches est sale.	Nettoyer la gaine d'échappement. Raccourcir la gaine d'échappement pour quelle corresponde à la longueur maximale comme décrit page 50 Éteindre puis rallumer le sèche-linge.
	Le conduit d'échappement d'air obstrué ou trop long.	Nettoyez le conduit d'échappement. Ramenez la longueur du conduit d'échappement à la longueur maximale, comme décrit à la page 50. Eteignez l'appareil puis rallumez-le ensuite.
	Défaut dans le déroulement du programme ou dysfonctionnement.	Eteignez le sèche-linge, laissez-le refroidir pendant 30 minutes puis rallumez-le. Relancez ensuite le programme.
	La pièce / le réducteur n'est pas correctement aéré.	Prévoyez un apport suffisant d'air frais. Eteignez l'appareil puis rallumez-le ensuite.
Degré de séchage pas atteint ou durée de séchage trop longue. La mention «E:03» peut s'afficher sur l'écran	Capteur d'humidité sale.	Nettoyez le capteur d'humidité comme décrit à la page 63. Eteignez l'appareil puis rallumez-le ensuite.
	Conduit d'échappement d'air obstrué ou trop long.	Nettoyer la gaine d'échappement. Raccourcir la gaine d'échappement pour quelle corresponde à la longueur maximale comme décrit page 50. Éteindre puis rallumer le sèche-linge.
	Le filtre à peluches est sale.	Nettoyer le filtre comme décrit page 61. Éteindre puis rallumer le sèche-linge.
	Linge trop humide.	Essorer la lessive à une vitesse plus élevée dans le lave-linge. Éteindre puis rallumer le sèche-linge.
	Sélection d'un programme inadapté.	Sélectionnez le programme en vous servant du tableau de sélection des programmes (voir page 56). Eteignez l'appareil puis rallumez-le ensuite.
	Dépassement de la durée maximale de séchage	Nettoyer le filtre à charpie (voir page 61). Vérifier la gaine d'échappement. Essorer la lessive à une vitesse plus élevée dans le lave-linge.
	Dépassement de la température limite du moteur.	Eteignez le sèche-linge, laissez-le refroidir pendant 30 minutes. Rallumez-le ensuite. Faites démarrer un programme.
	Le degré de sécheresse n'a pas été réglé correctement.	800 Series, les cadres de changement pour le degré de sécheresse, voir la page 59

Problème	Cause possible	Remède
L'éclairage du tambour ne fonctionne pas.	Vous n'avez pas sélectionné de programme.	Sélectionnez un programme.
	Lampe défectueuse, ampoule grillée.	Remplacer toute ampoule grillée et remettre le cache en place comme indiqué page 63.
	L'éclairage ne reçoit pas d'électricité.	Vérifier le réseau d'électricité.
	L'ampoule est lâchée.	Enlever le cache de l'ampoule et si l'ampoule est lâche, la visser à fond. Remettre le cache en place comme indiqué page 63.
Le voyant «Start/Stop ne s'allume pas. Le voyant «Wrinkle block» est allumé. La mention «000» s'affiche sur l'écran.	Défaut dans le déroulement du programme ou dysfonctionnement.	Eteignez le sèche-linge, laissez-le refroidir pendant 30 minutes puis rallumez-le. Relancez ensuite le programme.
La DEL du filtre à charpie clignote après le nettoyage du filtre.	Le clignotement du filtre LED de fibre n'est pas une indication d'un problème. Il est employé seulement comme rappel pour nettoyer le filtre de fibre.	Aucune action requise. La LED cessera le clignotement.
Bruit inhabituel Cognement	Les galets de suspension du tambour ont besoin de temps pour se réchauffer.	Aucune action requise. Lorsque les galets du système de suspension se réchaufferont, le cognement diminuera et devrait cesser après 2 ou 3 minutes de fonctionnement du sèche-linge.
L'écran affiche "----".	De la lessive a été détectée dans la cuve pendant le programme lainage (la lessive n'est pas sur le sèche-linge).	Placer la lessive sur le sèche-linge de la sècheuse. Redémarrer le programme.
Bruit inhabituel Vibration constante	Le sèche-linge n'est pas de niveau.	Mettez le sèche-linge de niveau (consultez la section du manuel intitulée « Instructions d'installation »).
Bruit inhabituel : Vibrations constantes, oscillations du sèche-linge	Lessive en boule causant le bondissement de la charge.	Arrêtez le sèche-linge, séparez les pièces de linge et faites redémarrer le sèche-linge.
Unusual noise: Rhythmic vibration	Laundry balled up causing load to bounce.	Stop dryer, separate load items, restart dryer.
Pendant le cycle Steam, la vaporisation d'eau dans l'appareil ne se fait pas.	Robinet(s) d'eau non ouvert.	Ouvrez le robinet d'eau.
	La buse ne vaporise pas l'eau de manière adéquate.	Essuyer l'extérieur de la buse à l'aide d'un chiffon humecté de vinaigre. Si la buse ne fonctionne toujours pas, voir les mesures correctives ci-dessous concernant une « Buse bloquée ».
	Gicleur bloqué	Retirez le gicleur à l'aide d'une clé à douilles de 7/16 po. Placez le gicleur dans un récipient rempli de vinaigre de manière à recouvrir le gicleur. Laissez le vinaigre agir sur le gicleur pendant cinq minutes, puis essuyez délicatement l'embout du gicleur à l'aide d'une brosse à dents pour enlever les résidus. Rincez le gicleur et remettez-le en place dans le sèche-linge et serrez à la main, puis serrez de 1 tour de plus avec la clé.
Voyant DEL ou bouton allumé sur le panneau de commande lorsque le sélecteur de cycle est mis en position d'arrêt (« Off »)	Condition de panne	Couper le disjoncteur et appeler le service après-vente (pg. 66).

SERVICE and REPAIR

⚠ AVERTISSEMENT

AVERTISSEMENT –

Répertoriez tous les fils avant tout débranchement de l'appareil lors de l'entretien des commandes. Les erreurs de câblage peuvent entraîner un mauvais fonctionnement de l'appareil pouvant causer de sérieux dégâts à l'appareil ou des blessures corporelles. Vérifiez que l'appareil fonctionne bien après tout dépannage.

Les sèche-linge Bosch ne nécessitent aucun entretien particulier mis à part l'entretien et le nettoyage figurant à la section Nettoyage et Entretien.

i Si vous avez un problème avec votre sèche-linge, consultez le tableau de dérangement et remèdes à la page 30, avant d'appeler le service après-vente.

Si des opérations de SAV s'avèrent nécessaires, veuillez contacter votre installateur ou un point de SAV agréé. Ne tentez pas de réparer l'appareil par vos propres moyens. Toute réparation accomplie par des personnes non autorisées risque de vous faire perdre le bénéfice de la garantie.

Si le sèche-linge vous cause un problème quelconque, et si les prestations reçues ne vous ont pas satisfait,

- Commencez s.v.p. par contacter votre installateur ou l'entreprise de SAV Bosch agréée située dans votre région, et expliquez-lui les raisons de votre mécontentement. Ceci suffira normalement à résoudre le problème.
- Si le problème persiste après avoir collaboré avec votre installateur ou avec le technicien du SAV, faites-nous le savoir soit en nous écrivant à l'adresse suivante,

BSH Home Appliances Corporation
5551 McFadden Ave.
Huntington Beach, CA 92649,
USA

soit en nous appelant au numéro suivant :

1-800-944-2904.

Si vous nous écrivez, n'oubliez pas de joindre / Si vous nous appelez, n'oubliez pas de préparer, les informations suivantes :

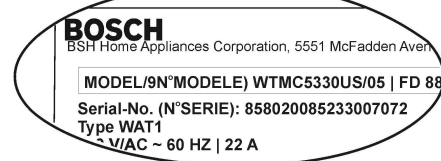
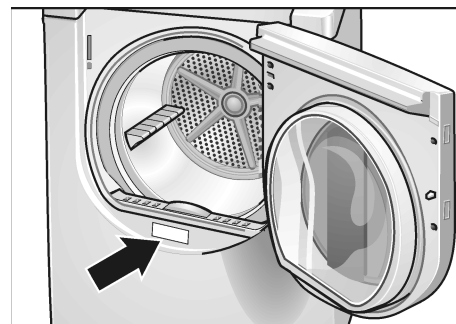
- Le numéro du modèle
- Le numéro de série
- La date d'achat d'origine
- La date d'apparition du problème
- Une description du problème

De même, si vous nous écrivez, veuillez joindre une copie de la facture et nous indiquer un numéro de téléphone où nous pouvons vous joindre dans la journée.

Vous trouverez le numéro du modèle et le numéro de série sur la plaque signalétique située sur la face intérieure du panneau avant.

L'image ci-dessous illustre l'emplacement approximatif de la plaque signalétique. Le numéro de modèle est entouré d'un rectangle. Le numéro de série est situé sous le numéro de modèle.

Un exemple est montré ci-dessous.



Le fabricant se réserve le droit d'effectuer des modifications au produit ou au manuel sans avis préalable.

ÉNONCÉ DE GARANTIE DE PRODUIT LIMITÉE

Lave-linge Bosch Vision™

Couverture de la garantie et application : La garantie limitée fournie par BSH Home Appliances Corporation (Bosch) dans cet énoncé de garantie de produit limitée s'applique seulement au lave-linge Bosch Vision™ (le « Produit ») vendu au premier acheteur utilisateur, mais à la stricte condition que le Produit ait été acheté : (1) pour un usage domestique normal (non commercial) et qu'il ait effectivement, en tout temps, été utilisé uniquement à des fins domestiques normales (tout usage commercial ou dans un environnement commercial de ce Produit annule automatiquement la garantie) ; (2) neuf au détail (non comme modèle exposé, « tel quel » ou préalablement retourné), acheté directement par le consommateur final, et non pour la revente ou l'utilisation commerciale ; et (3) aux États-Unis ou au Canada, et qu'il soit en tout temps demeuré dans le pays de l'achat d'origine. Les garanties énoncées aux présentes s'appliquent seulement au premier acheteur du Produit et ne sont pas cessibles. Bosch se réserve le droit d'exiger une preuve d'achat au moment où une réclamation est déposée au titre de la garantie afin de confirmer que le produit rentre dans le champ d'application de cette garantie limitée de produit. La garantie est automatiquement annulée si le Produit était un modèle exposé, s'il a été vendu « tel quel », trafiqué, s'il est abîmé ou s'il a été « vendu légèrement endommagé », ou si c'est un modèle qui a été préalablement retourné, octroyé gratuitement, un don de bienfaisance ou un prix de concours.

- S'assurer de retourner la carte d'enregistrement : Quoique non nécessaire pour que la couverture de la garantie prenne effet, elle constitue le meilleur moyen pour Bosch de vous prévenir dans l'éventualité improbable d'un avis de sécurité ou d'un retrait de produit.

Durée de la garantie Bosch garantit que le Produit est exempt de défaut de matière ou de fabrication pendant une période de trois-cent soixante-cinq jours (365) jours à compter de la date d'achat. Cette période commence à courir à partir de la date

Réparation ou remplacement du produit comme recours exclusif : Pendant cette période de garantie, Bosch ou l'un de ses prestataires de services agréés réparera le Produit sans frais de votre part (sous réserve de certaines limitations énoncées aux présentes) s'il s'avère que la fabrication du Produit présente un défaut de matière ou de fabrication. Si des tentatives raisonnables de réparation du Produit ont été faites sans succès, alors Bosch remplacera le Produit (des modèles mis à niveau peuvent être mis à votre disposition), à la seule discrétion de Bosch, moyennant des frais supplémentaires). Tout composant ou pièce enlevés deviennent la propriété de Bosch, à sa seule option. Toute pièce remplacée et/ou réparée doit assumer l'identité de la pièce d'origine aux fins de la présente garantie, et cette dernière ne sera pas prolongée au regard de ces pièces. La seule obligation et responsabilité de Bosch en vertu des présentes est de réparer seulement le Produit présentant un défaut de fabrication, par l'entremise d'un prestataire de services agréé Bosch aux heures normales de travail. Pour des questions de sécurité et de dommages à la propriété, Bosch recommande vivement de ne pas tenter de réparer soi-même le Produit, ni d'utiliser un service de réparation non autorisé. Bosch décline toute responsabilité ou obligation pour les réparations ou le travail effectués par un service de réparation non autorisé. Si vous choisissez de faire réparer le Produit par une personne autre qu'un prestataire de services agréé, CETTE GARANTIE DEVIENDRA AUTOMATIQUEMENT NULLE ET NON AVENUE. Les prestataires de services agréés sont des personnes ou des compagnies qui ont été spécialement formées pour les produits Bosch et qui possèdent, de l'avis de Bosch, une excellente réputation pour le service à la clientèle et des aptitudes techniques (il est à noter qu'il s'agit d'entités indépendantes et *non* des agents, partenaires, affiliés ou représentants de Bosch). Nonobstant les dispositions précédentes, Bosch n'assumera aucune responsabilité ou obligation à l'égard du Produit s'il est situé dans une région éloignée (plus de 100 miles (160 km) d'un prestataire de services agréé) ou s'il est raisonnablement inaccessible ou à un endroit, dans une zone ou dans un environnement dangereux, menaçants ou hasardeux ; dans un tel cas, si vous en faites la demande, Bosch pourrait payer les frais de main-d'œuvre et de pièce et expédier les pièces au prestataire de service agréé le plus proche, mais vous seriez quand même entièrement responsable pour tout déplacement ou autres frais spéciaux requis par le service de réparation, à supposer qu'il accepte d'effectuer une visite de réparation.

Garantie limitée prolongée :

DURÉE DE LA GARANTIE	PORTÉE DE LA GARANTIE
Garantie limitée de 2 ans À compter de la date d'achat	Bosch fournira gratuitement les pièces de rechange de tout élément constituant s'avérant défectueux dans des conditions normales d'utilisation domestique pendant les deux premières années courantes à compter de la date d'achat, frais d'expédition normaux (non accélérés) inclus, frais de main-d'œuvre exclus.

Garantie limitée de 2 ans sur les composants électroniques À compter de la date d'achat	Bosch réparera ou remplacera gratuitement tout microprocesseur ou carte à circuits imprimés s'avérant défectueux dans des conditions normales d'utilisation domestique pendant les deux premières années courantes à compter de la date d'achat, frais de main-d'œuvre exclus.
Garantie limitée de 2 ans sur le moteur À compter de la date d'achat	Bosch réparera ou remplacera gratuitement tout moteur ou composant du moteur s'avérant défectueux dans des conditions normales d'utilisation domestique pendant les deux premières années courantes à compter de la date d'achat, frais de main-d'œuvre exclus.

Produit hors garantie Bosch n'est nullement tenu, en droit ou autrement, de vous offrir toute concession, y compris réparations, tarifs proportionnels ou remplacement de Produit, une fois la garantie expirée.

Exclusions de la garantie : La couverture de garantie décrite aux présentes exclut tout défaut ou dommage ne découlant pas d'une faute directe de Bosch, y compris sans limitation, un ou plusieurs des cas suivants : (1) utilisation du Produit d'une façon autre que normale, habituelle et prévue (y compris, sans limitation, toute forme d'utilisation commerciale, utilisation ou rangement d'un produit pour l'intérieur à l'extérieur, utilisation du Produit avec des vaisseaux aériens ou flottants) ; (2) mauvaise conduite volontaire de toute partie, conduite négligente, mauvaise utilisation, abus, accidents, négligence, exploitation irrégulière, manquement à l'entretien, installation inadéquate ou négligée, altération, manquement à observer les instructions de fonctionnement, manipulation sans précaution, service non autorisé (y compris le « bricolage » fait soi-même ou l'exploration du fonctionnement interne de l'appareil) ; (3) réglage, altération ou modification de toute sorte ; (4) manquement à se conformer à tous les codes électriques, de plomberie et/ou de construction de l'état, locaux, municipaux ou du comté, règlements ou lois en vigueur, y compris le manquement à installer le Produit strictement en conformité avec les codes et règlements d'incendie et de construction locaux ; (5) usure et détérioration normales, déversements d'aliments, de liquides, accumulation de graisse, ou autres substances accumulées sur, dans ou autour du Produit ; et (6) toute force et facteur externes, élémentaires et/ou environnementaux, y compris sans limitation, pluie, vent, sable, inondations, incendies, glissements de terrain, gel, humidité excessive ou exposition prolongée à l'humidité, foudre, surtensions, défauts de structure environnante de l'appareil, et catastrophes naturelles. En aucun cas Bosch n'assumera la moindre obligation ou responsabilité pour des dommages survenus à la propriété environnante, y compris armoires, planchers, plafonds et autres structures ou objets autour du Produit. Également exclus de la garantie sont les égratignures, éraflures, encoches mineures et dommages esthétiques sur les surfaces externes et les pièces exposées ; Les produits dont les numéros de série ont été modifiés, effacés ou enlevés ; les visites de service pour montrer au client comment utiliser le Produit ou les visites alors que le Produit ne présente aucun problème ; la correction de problèmes d'installation (vous êtes uniquement responsable de toute structure et réglage du Produit, y compris électricité, plomberie ou autres services utilitaires, pour un plancher/fondation appropriés et pour toute modification y compris, sans limitation, des armoires, murs, planchers, étagères, etc.) ; et pour la remise en fonction des coupe-circuits ou fusibles. **DANS LA MESURE OU LA LOI LE PERMET, LA PRÉSENTE GARANTIE ÉNONCE VOS RECOURS EXCLUSIFS À L'ÉGARD DU PRODUIT, QUE LA RÉCLAMATION SOIT DE NATURE CONTRACTUELLE OU DÉLICTELLE (Y COMPRIS LA RESPONSABILITÉ ABSOLUE OU LA NÉGLIGENCE) OU AUTRE. LA PRÉSENTE GARANTIE REMPLACE TOUTES LES AUTRES GARANTIES, EXPRESSES OU IMPLICITES. TOUTE GARANTIE IMPLICITE EN VERTU DE LA LOI, QUE CE SOIT À DES FINS DE QUALITÉ MARCHANDE OU D'ADAPTATION À UN BUT PARTICULIER, OU AUTREMENT, EST EN VIGUEUR UNIQUEMENT PENDANT LA PÉRIODE AU COURS DE LAQUELLE LA PRÉSENTE GARANTIE LIMITÉE EXPRESSE EST EN VIGUEUR. LE FABRICANT NE SERA EN AUCUN CAS RESPONSABLE DES DOMMAGES, PERTES OU FRAIS CONSÉCUTIFS, PARTICULIERS, ACCESSOIRES, INDIRECTS, ET/OU PUNITIFS, DES « PERTES COMMERCIALES », Y COMPRIS, NOTAMMENT, LE TEMPS D'ABSENCE AU TRAVAIL, L'HÉBERGEMENT ET/OU LES REPAS AU RESTAURANT, LES FRAIS DE REMANIEMENT EN EXCÉDENT DES DOMMAGES DIRECTS QUI SONT MANIFESTEMENT CAUSÉS EXCLUSIVEMENT PAR BOSCH OU AUTREMENT. CERTAINS ÉTATS NE PERMETTENT PAS L'EXCLUSION OU LA LIMITATION DES DOMMAGES ACCESSOIRES OU INDIRECTS ET CERTAINS ÉTATS NE PERMETTENT PAS LA LIMITATION SUR LA DURÉE D'UNE GARANTIE IMPLICITE, DE SORTE QUE LES LIMITATIONS CI-DESSUS PEUVENT NE PAS S'APPLIQUER À VOTRE CAS. LA PRÉSENTE GARANTIE VOUS DONNE DES DROITS JURIDIQUES SPÉCIFIQUES ET VOUS POUVEZ AVOIR ÉGALEMENT D'AUTRES DROITS QUI VARIENT D'UN ÉTAT À L'AUTRE. Aucune tentative d'altérer, de modifier ou d'amender la présente garantie ne peut être effective à moins d'une autorisation écrite par un représentant de BSH.**

Obtention du service sous garantie : Pour obtenir le service sous garantie pour votre Produit, contactez le centre de service autorisé de Bosch le plus proche.

BSH Home Appliances Corporation – 5551 McFadden Avenue, Huntington Beach, CA 92649 / 800-944-2904

Características y ventajas de los nueva secadora

Tecnología ActiveDry™

La humedad y los niveles de temperatura se controlan continuamente, a fin de lograr resultados de secado precisos para una paleta amplia de tejidos diferentes. Cualquier cosa desde camisetetas, hasta las sábanas del bebé, salen tibias y suaves en todo momento.

El monitoreo constante garantiza el uso de energía más bajo posible y reduce hasta un 50% del consumo por año.

EcoSmart™

La tecnología EcoSmart™ utiliza una red de sensores en la secadora Bosch Vision para ciclos que conservan la mayor cantidad de energía posible, a la vez que mantienen un rendimiento de secado superior. Al ajustar cuán mojada está la carga y al regular la temperatura para que nunca se produzca un exceso de calor, es evidente que Bosch ofrece algunas de las secadoras más eficientes del mercado.

EcoAction™

Esta opción le brinda la capacidad de reducir el consumo de energía en hasta un 10%. Al seleccionar esta opción, la temperatura se reduce para ahorrar recursos, a la vez que se extiende levemente el ciclo para asegurar un secado adecuado.

DynamicAir™

El sistema DynamicAir™ de Bosch Vision brinda calor suave y un gran volumen de aire en el tambor de secadora más delicado que existe. Únicamente Bosch Vision puede ofrecer un tambor de secadora de una sola pieza con una protección trasera cubierta de orificios para distribuir adecuadamente el aire sobre su ropa y, de esta forma, brindarle el secado más suave y efectivo posible.

Wrinkle Block®

A veces no es posible quitar la ropa apenas suena el zumbido. Wrinkle Block® (Protección contra arrugado) provee una hora de giro intermitente del tambor y evita la formación de arrugas y, en definitiva, reduce el tiempo de planchado.

Tambores de acero inoxidable

El tambor de lavado Nexxt™ tiene centenas de orificios de bordes redoblados, que permiten a sus prendas rodar suavemente sin presentar enganches.

Bisagra de la puerta de 160°

La puerta de la secadora se abre hasta 160°, lo que hace más fácil cargar y descargar la ropa. Las puertas de la lavadora y de la secadora también se abren en direcciones opuestas, de modo que si se las instala una al lado de la otra, transferir su ropa húmeda hacia la secadora se convierte en una tarea sin esfuerzo.

Funcionamiento silenciosos

Los electrodomésticos de lavado Bosch usan motores sin escobillas, sistemas de bomba suspendidos y materiales de insonorización especiales para hacerlas excepcionalmente silenciosas mientras están funcionando. Un funcionamiento silencioso significa que pueden instalarse prácticamente en cualquier lugar del hogar sin causar bullicio.

Estante de secado

La rejilla de la secadora protege los tejidos más delicados o un par de tenis, lo que permite que se sequen sin girar. Es una pieza estándar del modelo Premium y está disponible como accesorio para todos los modelos.

Dispositivo atrapapelusa

El dispositivo atrapapelusa de la secadora está ubicado cómodamente en la carcasa del electrodoméstico debajo de la puerta de la secadora para permitir el fácil acceso. El filtro de malla fina del dispositivo atrapapelusa captura incluso las partículas de pelusa más pequeñas. Además, para aumentar la eficiencia de secado, existe una luz de LED en el filtro atrapapelusa en el panel de control que se ilumina cuando el filtro necesita una limpieza inmediata.

Ciclos de vapor

Los ciclos Steam que se ofrecen en modelos selectos utilizan humedad adicional para ayudar a distender el tejido, aflojar las arrugas y refrescar las prendas de mezcla de algodón para reducir los olores.

ADVERTENCIA: Por su seguridad, las informaciones contenidas en este manual deben tenerse en cuenta a fin de minimizar el riesgo de incendios, explosión o de prevenir daños a la propiedad, personales o la muerte.

- No almacene ni utilice gasolina u otros gases o líquidos inflamables en la cercanía de éste u otros electrodomésticos.
- **SI SIENTE OLOR A GAS**
 - No intente encender ningún electrodoméstico.
 - No toque conmutador eléctrico alguno. No utilice ningún teléfono dentro de sus edificio.
 - Evacue todas las personas del ambiente, edificio o zona.
 - Llame inmediatamente a su proveedor de gas desde el teléfono de una casa vecina. Siga las instrucciones de su proveedor de gas.
 - Si no puede comunicarse con su proveedor de gas, llame a los bomberos.
- La instalación y el servicio deben efectuarlos un instalador calificado, una agencia de servicio o el proveedor de gas.

Índice

Definiciones	71
INSTRUCCIONES IMPORTANTES DE SEGURIDAD	72
INSTRUCCIONES PARA LA PUESTA A TIERRA	73
INSTRUCCIONES PARA LA INSTALACIÓN	74
Introducción	74
Información sobre eliminación de residuos	74
Antes de instalar el secador	74
Lista de comprobación para la instalación	75
Emplazamiento	75
Dimensiones	75
Cómo invertir la bisagra de la puerta	76
Tipos de instalación	79
Conexión eléctrica	82
Conexión del tubo de aire de salida	83
Accesorios	85
Preparar el secador para el transporte, paso a paso	86
INSTRUCCIONES DE FUNCIONAMIENTO	87
Panel de manejo	87
Informaciones para su seguridad	88
Protección del medio ambiente	88
Ropa	88
Identificación de prendas	88
Consejos para el secado	88
Selección del ciclo	89
Opciones (Delicates [Ropa fina], ECO Action [Acción ecológica])	89
Indicadores de LED de la secuencia del ciclo	90
Tabla de selección de ciclos	90
Programas automáticos	91
Steam ciclos	91
Programas temporizados	91
Opciones adicionales Serie 800	92
Funcionamiento	93
Uso del secador	93
Limpiar el filtro para pelusas	94
Uso de la canastilla (opciones)	94
Limpieza y cuidado	96
Limpieza del secador	96
Limpiar el tubo de aire de salida	96
Limpiar el sensor de humedad	96
Cómo limpiar la carcasa del filtro atrapapelusa	96
Cómo limpiar la boquilla Steam	96
Cambiar la lamparilla	96
Localización de fallos	97
SERVICIO y REPARACIONES	99
DECLARACIÓN DE GARANTÍA LIMITADA DEL PRODUCTO	103

¡Felicitaciones!

El secador cumple con la norma ANSI Z21.5.1/CSA 7.1 Gas Secadores de ropa Vol. 1

Uno de las características fundamentales de su secador es el bajo consumo de energía.

Una filosofía fácil en el manejo, una gran variedad de programas de lavado y una sensación de solidez, hacen de este secador un asistente sumamente útil en su hogar.

El secador Bosch presenta las siguientes características estándar:

- un sistema de secado de alto rendimiento
- un tambor de acero inoxidable grande con una capacidad hasta 17.6 lbs (8 kg)
- Gran abertura de carga con un sistema de traba para la puerta con función de detención automática de tambor
- funcionamiento excepcionalmente sereno
- ciclos automáticos controlados por sensor
- Ciclos programados Secadoras de las Series 300 y 500: ciclos de 20, 40 y 60 minutos
Secadoras de la Serie 800: 10 a 150 minutos (en incrementos de 10 minutos)
- La función Wrinkle Block[®] (Protección contra arrugado) hace girar la ropa periódicamente durante hasta una hora después de secarla para ayudar a disminuir la cantidad de arrugas

Todo secador que deja nuestra planta, ha aprobado un control de rendimiento realístico y está en perfectas condiciones de funcionamiento.

Si tiene cualquier pregunta respecto de la instalación de nuestros secadores, nuestro grupo de servicio a clientes, gustosamente le responderá.

En nuestra página de web, encontrará más información referida a nuestros productos y su selección:
www.boschappliances.com

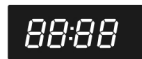
Información

Rogamos leer y seguir estas instrucciones de funcionamiento e instalación conjuntamente con todas aquellas informaciones entregadas con nuestra máquina de lavar.

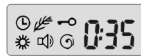
Modelos que abarca este manual del usuario

La presentación escribe a máquina

Las instrucciones en este manual se refieren a secadores con dos tipos ' diferentes de presentación.



300 y 500 secadores de la Serie tienen una presentación DIRIGIDA



800 Secadores de la Serie tienen una presentación de VCL

La instalación, operando e instrucciones de mantenimiento son el mismo para secadores con cualquier de tipo presentación menos donde notó. La operación del menú del secador de VCL y opciones relacionadas son descritos en la 800 Serie sección Adicional de Opciones de este manual.

Los Ciclos del vapor están disponibles en 500 y 800 Secadores de la Serie con el logo de Vapor en el panel.



Steam

Definiciones



ADVERTENCIA

ADVERTENCIA – Esto significa que puede resultar la muerte o lesiones graves debido a la inobservancia de esta advertencia.



CUIDADO

CUIDADO – Esto significa que pueden resultar lesiones leves o moderadas debido a la inobservancia de esta advertencia.

AVISO

AVISO – Esto significa que se pueden producir daños en el electrodoméstico o en los bienes debido a la inobservancia de esta advertencia.



Este símbolo se utiliza para llamar la atención del usuario respecto de algo en particular.

⚠ INSTRUCCIONES IMPORTANTES DE SEGURIDAD

⚠ ADVERTENCIA

Las advertencias e instrucciones de seguridad de este manual no pueden cubrir todos los riesgos, condiciones y situaciones posibles que puedan surgir. Aplique el sentido común y tenga cuidado durante la instalación, el mantenimiento y la operación de este o cualquier otro electrodoméstico.

⚠ ADVERTENCIA

ADVERTENCIA: Para reducir el riesgo de incendio, descargas eléctricas, lesiones de gravedad o muerte y/o daños al emplear su secador, tome las siguientes precauciones básicas.

1. Lea todas las instrucciones antes de utilizar el secador.
Los secadores Bosch se entregan con instrucciones de manejo, cuidado e instalación.
2. No seque prendas que anteriormente hayan sido limpiadas, lavadas, remojadas, o se le hayan quitado las manchas con gasolina, limpiadores en seco, solventes, otros productos inflamables o explosivos de las cuales puedan desprenderse vapores que puedan **encenderse** o explotar.

Para reducir el riesgo de **incendio**, no ponga ropa, paños para la limpieza, estropajos o cosas similares en el secador, si contienen sustancias inflamables como aceites vegetales, aceite de cocina, aceites a base de petróleo o destilados de éstos, ceras, grasas, etc. Estas prendas pueden contener sustancias inflamables que pueden producir humo o **causar un incendio** espontáneamente aun después de haberlas lavado.

No coloque artículos expuestos a aceites de cocina en la secadora. Las prendas contaminadas con aceites de cocina pueden contribuir a reacciones químicas que pueden causar que la carga de ropa se prenda fuego.

3. El secador debe usarse únicamente para lo que fue diseñado.
4. Cuando los niños llegan a una edad adecuada para operar equipos electrodomésticos, es responsabilidad legal de los padres o reponsables legales, hacerlos instruir por personal adecuadamente calificado respecto de las medidas de seguridad correspondientes
5. No permita que los niños jueguen sobre el electrodoméstico ni con él en ningún momento; esto puede provocar lesiones graves o la muerte. Los niños deben permanecer a una distancia segura de los electrodomésticos en todo momento. Se debe permitir a los niños estar cerca de un electrodoméstico solamente si están supervisados estrictamente y en forma constante por un adulto.
6. No permita que los juguetes u otros objetos de los niños que puedan alentar a que los niños se suban a la secadora se guarden encima de la secadora, dentro de ella, en los estantes ni en gabinetes u otras áreas de almacenamiento adyacentes a la secadora.
7. No permita que los juguetes u otros objetos de los niños que puedan alentar a que los niños se suban a la secadora se guarden encima de la secadora, dentro de ella, en los estantes ni en gabinetes u otras áreas de almacenamiento adyacentes a la secadora.
8. No permita que nadie se suba, incline o cuelgue de ninguna parte de la secadora, incluidos los componentes que sobresalgan, como la puerta del electrodoméstico o un estante extraíble.
9. Para reducir el riesgo de intoxicación o quemaduras químicas, mantenga todos los productos de limpieza fuera del alcance de los niños.
10. Almacene todos los productos químicos y aditivos en un lugar fresco y seco de acuerdo con las instrucciones del fabricante. Asegúrese de que los niños no tengan acceso a ellos. No debe colocar gasolina, materiales combustibles, materiales que produzcan vapores inflamables, líquidos inflamables ni sustancias que representen un riesgo de incendio cerca de la secadora.
11. Mantenga alejadas a las mascotas de la secadora.
12. ANTES DE SACAR EL ELECTRODOMESTICO DE SERVICIO, quite la puerta de acceso al compartimento de secado.
13. No introduzca las manos en el electrodoméstico mientras el tambor está girando.
14. No instale ni deje este electrodoméstico a la intemperie o expuesto a elementos como agua/humedad, suciedad, aire corrosivo/salado y frío excesivo.
15. No juegue con los controles.
16. No reparar o reemplazar ninguna parte del secador ni intentar cualquier tipo de servicio a menos que haya sido recomendado en las instrucciones de mantenimiento o en instrucciones de reparación para usuarios, que se hayan comprendido plenamente y para las que se disponga de habilidad.
17. No utilice suavizadores para prendas u otros productos para eliminar las cargas estáticas, salvo que estén recomendados por el fabricante de las prendas.
18. No seque con calor, artículos que contengan espuma de goma (puede denominarse espuma de latex) u otros materiales que se parezcan a los mencionados. Las espumas de goma pueden **encenderse** por autoignición cuando se los calienta bajo ciertas circunstancias.
19. No seque prendas que contengan olefina spunbonded. La olefina spunbonded puede derretirse y **encenderse** por combustión espontánea.
20. Verifique la pantalla atrapapelusa antes de cada carga de ropa y límpiela según sea necesario. El exceso de pelusa acumulada

- puede dañar la secadora y crear un posible riesgo de incendio.
21. Mantenga el área alrededor de la salida de aire y las zonas adyacentes libres de pelusas, suciedad y polvo. La obstrucción de la abertura puede reducir el flujo de aire y producir un sobrecalentamiento.
 22. El interior de la máquina y de la salida de aire debe limpiarse periódicamente por personal calificado.
 23. Desmontando cualquier panel o tapa, incluida la tapa de la luz, pueden quedar expuestos circuitos eléctricos con corriente. Desmontando cualquier panel, incluido el panel de manejo redondo ubicado en el frente, también pueden quedar expuestos cantos y puntas filosas, y superficies calientes. Siempre desenchufe el secador de la fuente de suministro eléctrico antes de intentar repararlo. Desconecte el cable de alimentación tomándolo del enchufe, no del cable.
 24. Para evitar un riesgo de incendio, no utilice un cable de prolongación, un adaptador ni ningún otro conector o cable eléctrico no suministrado por el fabricante para conectar el secador a la alimentación de energía eléctrica.
 25. Siempre verifique que los bolsillos de la ropa estén vacíos y quite todos los artículos de la ropa antes de ponerla en el secador; los objetos inadecuados pueden dañar el secador, y ciertos artículos como los encendedores pueden presentar un **riesgo de incendio**.
 26. Para reducir el riesgo de incendio y descargas eléctricas, no use el secador si el cable de alimentación está deshilachado o dañado, o si los enchufes están sueltos.
 27. No utilice el secador si se quitaron las protecciones y/o los paneles, si faltan piezas o si están rotas.
 28. No elimine la función de los dispositivos de seguridad.
 29. No utilice conductos de material plástico o materiales flexibles no metálicos con este secador. Los conductos flexibles de material plástico o materiales no metálicos pueden representar un posible **riesgo de incendio**.
 30. No haga funcionar el secador antes de asegurarse que fue instalado de acuerdo con las INSTRUCCIONES DE FUNCIONAMIENTO y que la instalación y puesta a tierra cumplen con todos los reglamentos locales y/u otras reglas y requerimientos de aplicación.
 31. Fallos en la instalación, el mantenimiento y/o operación del secador respecto de la instrucciones del fabricante, pueden ser causa de **lesiones** o daños.
 32. Para evitar daños en el piso y también en el crecimiento de moho, no permita que salpicaduras o derramamientos de agua se acumulen alrededor o debajo del secador.
 33. No deben instalarse otros equipos de uso doméstico que funcionen quemando combustibles en el mismo ambiente.
 34. Asegúrese de que todas las conexiones de agua del secador tengan una válvula de paso y de que se encuentren en un lugar fácilmente accesible. Cierre la(s) válvula(s) de paso del electrodoméstico al final de cada día de uso.
 35. Verifique las conexiones de la manguera de llenado con frecuencia para asegurarse de que estén apretadas y de que no haya pérdidas.
- Notas:**
- A. Las INSTRUCCIONES IMPORTANTES DE SEGURIDAD y los LLAMADOS DE ATENCIÓN que se presentan en este manual no cubren todas las situaciones posibles que pueden tener lugar. Deben aplicarse el sentido común, precaución y cuidado al instalar, mantener o hacer funcionar el secador.

- B. Consultar siempre con el comerciante, distribuidor, agente de servicio o fabricante cualquier problema o bien condiciones que no se han comprendido completamente.
- C. Tenga en cuenta también las informaciones de seguridad que se incluyen en las INSTRUCCIONES DE INSTALACIÓN y las INSTRUCCIONES DE FUNCIONAMIENTO.

INSTRUCCIONES PARA LA PUESTA A TIERRA

Este electrodoméstico debe conectarse a tierra. En caso de fallos en el funcionamiento o roturas, la conexión a tierra reduce el riesgo de descargas eléctricas, presentando una vía de baja resistencia por la que puede fluir la corriente.



ADVERTENCIA

La conexión inadecuada de la puesta a tierra de este equipo puede conducir a un riesgo elevado de descargas eléctricas. Haga controlar la instalación por un electricista calificado si tiene dudas, a fin de determinar que el secador esté correctamente conectada a tierra. NO modifique el enchufe suministrado con el secador. Si no es adecuado al tomacorriente, haga instalar un tomacorriente adecuado por un electricista calificado o cambie el cable por uno que sea adecuado al secador.

CONSERVE ESTAS INSTRUCCIONES PARA CONSULTAS POSTERIORES.

En caso de un cambio de propietario, este manual debe entregarse conjuntamente con el secador.

CONSERVE ESTAS INSTRUCCIONES

INSTRUCCIONES PARA LA INSTALACIÓN

Introducción

Lea estas instrucciones completamente y con cuidado. Esto va a evitar que pierda tiempo y esfuerzo, permitiendo lograr un funcionamiento óptimo del secador. Asegúrese de tener en cuenta todas las advertencias y precauciones.



ADVERTENCIA

ADVERTENCIA – Riesgo de incendio.

- La instalación del secador de ropa debe ser realizada por un instalador calificado.
- Instale el secador de ropa según las instrucciones del fabricante y los códigos locales.
- No instale un secador de ropa con materiales de ventilación de plástico flexibles. Si se instala un conducto de metal flexible (tipo hoja metálica), debe ser de un tipo específico identificado por el fabricante del electrodoméstico como apto para un secador de ropa. Se sabe que los materiales de ventilación flexibles se hunden, se aplastan fácilmente y atrapan pelusa. Estas condiciones obstruyen el flujo de aire del secador de ropa y aumentan el riesgo de incendio.
- Para reducir el riesgo de lesiones graves o de muerte, siga todas las instrucciones de instalación.
- CONSERVE ESTAS INSTRUCCIONES.

Estas instrucciones para la instalación están destinadas para ser usadas por personal calificado. Adicionalmente a estas instrucciones, el secador debe instalarse de acuerdo con todas las reglas locales o bien, en su ausencia, con:

- en los **Estados Unidos**, el National Electric Code, ANSI/NFPA70 en su última edición y las reglas municipales y/o locales vigentes.
- En **Canadá**, el Canadian Electrical Code C22.1 en su última edición y las reglas municipales y/o locales vigentes.

La instalación de gas debe cumplir con los códigos locales o bien, en ausencia de éstos, con el National Fuel Gas Code, ANSI Z223.1/NFPA 54 o el Canadian Natural Gas and Propane Installation Code CAN/CSA-B149.

Nota:

Este secador posee la aprobación UL y C-UL para un funcionamiento seguro hasta alturas de 7700 ft (2350 m) sin más modificaciones en los componentes de gas natural.

Información sobre eliminación de residuos

Eliminación del embalaje



ADVERTENCIA

Mantenga alejados a los niños de la caja de cartón y de los componentes del embalaje. Existe peligro de asfixia con el plástico y las cajas plegables.

Ninguno de los materiales del embalaje es dañino para el medio ambiente y pueden reciclarse. Rogamos eliminarlos según las normas de protección del mismo.

Rogamos ponerse en contacto con su vendedor o la autoridad competente respecto de las disposiciones vigentes.

Desecho de electrodomésticos viejos



ADVERTENCIA

Si el electrodoméstico ya no se encuentra en condiciones de uso, desconecte el enchufe principal, corte el cable de alimentación y elimine el cable junto con el enchufe principal. Para evitar que los niños queden encerrados dentro del electrodoméstico, retire la puerta.

Para evitar que los niños al jugar se pongan en peligro al quedar atrapados, asegurarse de que el mecanismo de cierre de la puerta esté desactivado o desmonte la puerta.

¡Los electrodomésticos viejos no son basura! Pueden utilizarse materias primas valiosas en un reciclado adecuado al medio ambiente. Consulte a su distribuidor o autoridad local acerca de los mejores medios de eliminación.

Antes de instalar el secador

Antes de instalar el secador a un sistema de conductos utilizado previamente, asegúrese de que el sistema esté limpio. Se recomienda realizar una limpieza profesional del sistema de conductos en forma anual y al conectar el secador a un sistema de conductos utilizado previamente. Mantener limpio el sistema de conductos reducirá el tiempo de secado y mejorará el rendimiento del secado.

Desembalaje del electrodoméstico



CUIDADO

No levante el electrodoméstico personalmente. Tampoco debe levantárselo de partes protuberantes debido al riesgo de quebraduras.

AVISO

Retire el embalaje del electrodoméstico con cuidado para no dañar las superficies ni las áreas adyacentes al electrodoméstico.

Controle si el secador se ha dañado durante el transporte. No conecte un secador visiblemente dañado. En caso de duda, consulte con su vendedor.

Volumen de entrega

AVISO

Una vez eliminado el embalaje, quite inmediatamente todos los objetos contenidos en el tambor.

Emplazamiento

ADVERTENCIA

No instale el secador:

- en el exterior,
- en ambientes donde gotea el agua,
- ceca de materiales inflamables,
- en ambientes con riesgo de congelamiento,
- en ambientes donde puede haber gas u otros combustibles,
- en armarios con puertas con traba,
- con otro equipo a quemador de combustible en el mismo retrete.

El ambiente de emplazamiento debe poseer una buena ventilación, de otro modo el secador trabajará con rendimiento reducido.

No opere el secador a temperaturas superiores a los 104 °F (40 °C) o debajo de 41 °F (5 °C). Las temperaturas bajas pueden afectar la secuencia el programa automático y pueden prolongar los tiempos del secado.

La superficie donde se vaya a instalar el secador deben estar limpias, parejas y firmes. ¡No instale el secador sobre alfombras! Compense las irregularidades en el piso mediante los pies ajustables en altura.

Instale el secador y nivélelo un lado respecto del otro y la parte anterior respecto de la parte posterior.

Utilice un nivel de alcohol.

¡Nunca desenrosque totalmente los pies ajustables!

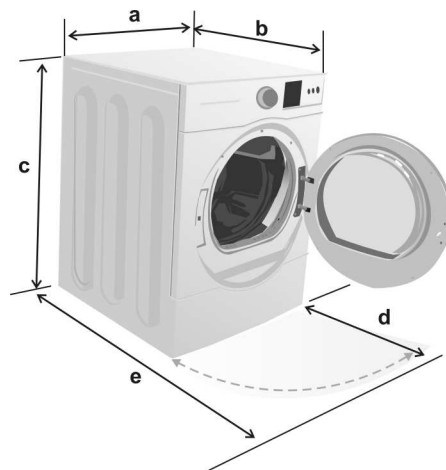
El tamaño del área de instalación depende de las medidas del secador.

¡Asegúrese que exista espacio suficiente para el área de giro de la puerta!

ADVERTENCIA

Si se desea hacer funcionar el secador en un garaje, debe instalársele sobre una base sólida con una elevación de por lo menos 18 pulgadas sobre el nivel del suelo, a fin de reducir la probabilidad de que vapores inflamables se incendien y además, para asegurarlo contra daños producidos por el eventual movimiento de vehículos

Dimensiones



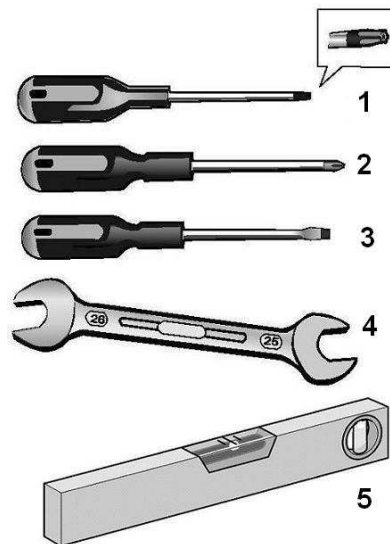
	Medidas	Peso
a	27.0" (68.6 cm)	125 lbs (56.7 kg)
b	31.8" (81.0 cm)	
c (min)*	36.9" (93.6 cm)	with packaging
c (max)*	37.8" (95.9 cm)	143 lbs (64.8 kg)
d	22.0" (59.7 cm) ángulo 160°	
e	53.9" (136.9 cm)	

* min (mín.)= patas de la secadora insertadas completamente, max (máx.)= salidas

Herramientas útiles

Las siguientes herramientas son útiles para la instalación:

1. Destornillador de cabeza Torx (T20)
2. Destornillador Phillips (Núm. 2)
3. Destornillador de hoja plana (Núm. 2)
4. Llave fija (1 pulg./25 mm)
5. Nivel de burbuja



Lista de comprobación para la instalación

1. Quite el secador de su embalaje.
2. Quite todos los objetos del tambor.
3. Controle si el secador presenta daños visibles.
4. Ubique el secador cerca del sitio de emplazamiento (consulte la página 75).
5. Si hace falta, cambie las bisagras de la puerta a la izquierda (ver página 76).
6. Si hace falta, instale la salida de aire del escape lateral o inferior en el secador (ver página 83).
7. Haga conectar la alimentación de gas por un técnico calificado (ver página 82).
8. El cheque para la conexión "Y", manga corta de manga y abastecimiento de agua incluyó con el secador que embala (ve página 80). (Seleccionó modelos sólo).
9. Conecte el suministro de agua (modelos selectos únicamente) a la parte trasera de la secadora (consulte la página 80 para obtener instrucciones detalladas).
10. Instale los conductos del escape si es necesario.

Siga las instrucciones de instalación provistas por el fabricante de piezas de conductos apropiado (ver página 83)

- i** Si las condiciones de espacio son muy reducidas, se recomienda montar las primeras partes de la tubería antes de ubicar el secador en su sitio de emplazamiento definitivo.

AVISO

NO empuje contra el vidrio de la puerta del secador. ¡Riesgo de rotura!



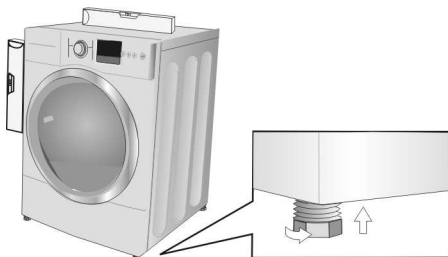
NO empuje contra el vidrio de la puerta del secador

- 11.** Ubique el secador en su sitio de emplazamiento definitivo.

AVISO

No arrastre el secador por el suelo, si los pies ajustables fueron extendidos. En este caso se dañarían tanto los pies ajustables, como la parte inferior del secador.

- 12.** Posicione y nivele luego el secador.



La secadora debe estar nivelada con las cuatro patas firmemente apoyadas en el suelo. La secadora no debe tambalearse. Si la secadora no está nivelada o si se tambalea, deben ajustarse las patas. Ajuste las patas de altura ajustable usando la llave de 1 pulg. (25 mm) hasta que la secadora no se balancee y esté nivelada, tanto de adelante hacia atrás como de lado a lado.

- Después de realizar los ajustes preliminares, presione hacia abajo cada esquina de la secadora para asegurarse de que la unidad no se tambalea. Si al presionar hacia abajo en una esquina esto causa que la secadora se tambalee, baje la pata de la secadora de esa esquina hasta que la pata se apoye firmemente en el piso.

Instale la secadora y nivélela de lado a lado y de adelante hacia atrás. Use un nivel de burbuja. ¡Nunca retire las patas de altura ajustable!

- 13.** Conecte el tubo de ventilación a la salida de aire del secador (consulte la página 83).
- 14.** Conecte el tomacorriente en el enchufe correspondiente (consulte la página 82).
- 15.** Abra la válvula de paso.
- 16.** Lea las instrucciones de funcionamiento, para enterarse como funciona su secador (consulte la página 87).
- 17.** Efectúe un control del electrodoméstico:
- Controle que el tambor esté vacío.
 - Cierre la puerta del secador.
 - Coloque la secadora en Extra Dry (Secado extra) y luego presione el botón Start/Pause (Inicio/Pausa).
 - Después de entre 3 y 5 minutos, presione el botón Start/Pause (Inicio/Pausa) y abra la puerta.
 - Si el interior del secador está tibio, significa que está correctamente conectado. Apague el secador.

- Si el secador no funciona, comútelo a «Off». Consulte en la localización de fallos (ver página 30) de las INSTRUCCIONES DE FUNCIONAMIENTO y determine el fallo.

Cómo invertir la bisagra de la puerta

La secadora viene de fábrica con la bisagra del lado derecho de la puerta. De ser necesario, se puede invertir la bisagra de la puerta.



CUIDADO

Apague el suministro de gas si necesita mover la secadora para invertir la bisagra de la puerta. Siga las instrucciones para desinstalar y reinstalar la conexión de gas que se encuentran en la "Lista de verificación para la instalación" (consulte la página 75).

Herramientas necesarias

Destornillador con cabeza de estrella T20

Piezas para invertir la bisagra

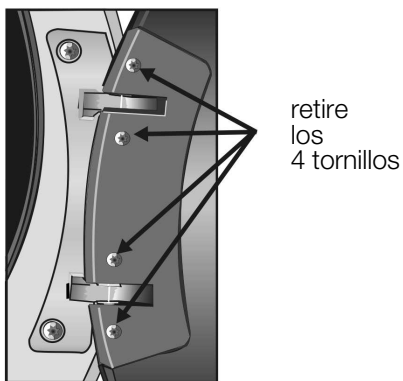
Bisagra (con 4 manguitos de plástico blanco)

Placa de cubierta de la bisagra

Conjunto de la puerta

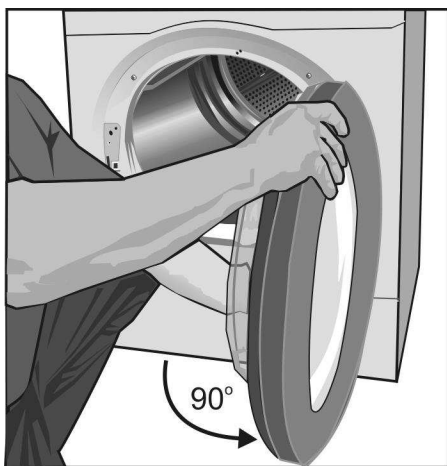
Procedimiento para invertir la bisagra

- 1.** Desenchufe la secadora.
- 2.** Prepare una superficie firme, plana y acolchada para colocar la puerta de la secadora mientras cambia la bisagra.
- 3.** Abra la puerta de la secadora para exponer la cubierta de la bisagra completamente.
- 4.** Retire los 4 tornillos que mantienen a la cubierta de la bisagra en su lugar.

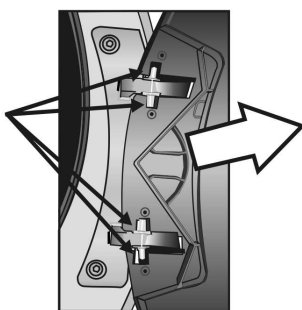


Deje a un lado la cubierta junto con los cuatro tornillos para volver a instalarlos más tarde.

5. Gire la puerta de modo que quede perpendicular a la parte delantera de la lavadora. Deslice la puerta y retírela de la secadora para que los pasadores de la bisagra se deslicen fuera de las ranuras de la puerta de la secadora.



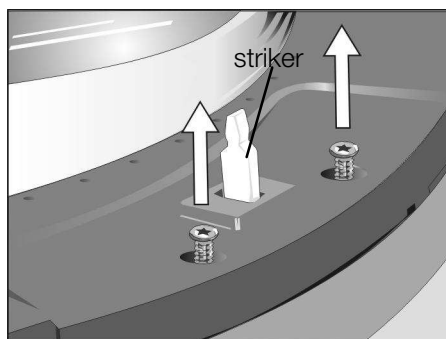
Asegúrese de que los cuatro manguitos de plástico permanezcan sobre los pasadores de la bisagra.



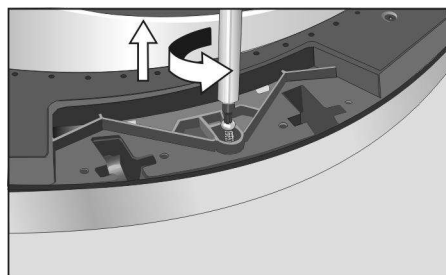
No deje que los 4 manguitos de plástico se caigan de los pasadores de la bisagra. Si alguno de los manguitos se cae, vuelva a instalarlo en los pasadores de la bisagra antes de volver a instalar la puerta.

6. Apoye la puerta de la secadora boca abajo sobre una superficie firme, plana y acolchada, con la parte inferior de la puerta mirando hacia usted.

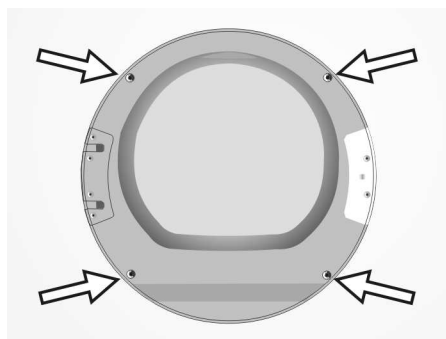
7. Retire los dos tornillos que sostienen la placa de cubierta del empujador en su lugar. Sostenga el empujador mientras levanta la cubierta para mantener las piezas juntas en su lugar y deje a un lado el conjunto para volver a instalarlo más tarde.



8. Retire el tornillo que estaba oculto por la cubierta de la placa del empujador.

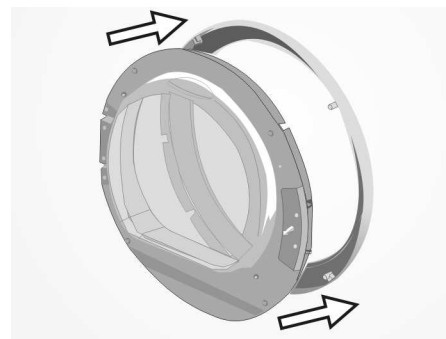


9. Retire los cuatro tornillos que sostienen el anillo delantero al cuerpo de la puerta.



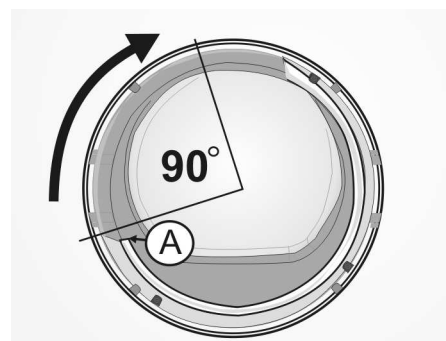
10. Voltee la puerta para que el anillo delantero apunte hacia arriba.

11. Retire el anillo delantero de la puerta de la secadora.



12. El vidrio de la cubierta tiene un borde de vidrio levantado que se extiende por, aproximadamente, dos tercios de la circunferencia del vidrio. Asegúrese de que este borde levantado apunte hacia arriba, mirando hacia usted. Respete la posición del borde anterior del mango de vidrio levantado, marcado con la letra (A) en la siguiente ilustración.

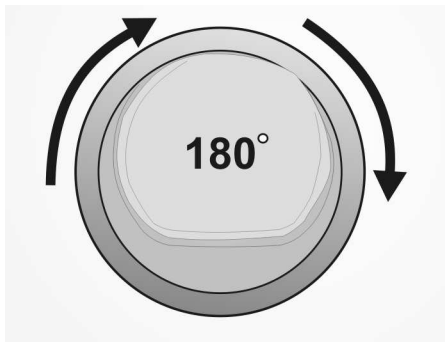
Gire el vidrio de la cubierta 90 grados hacia la derecha.



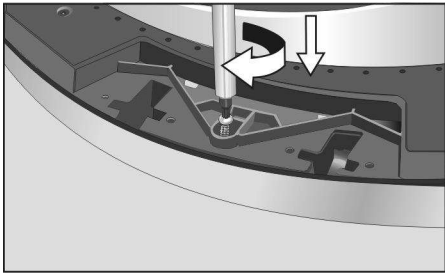
13. Fíjese en la nueva posición del vidrio de la cubierta. El borde anterior del mango de vidrio debe haberse movido 90 grados hacia la derecha desde el punto inicial, como se muestra en la siguiente ilustración, con la letra (A).



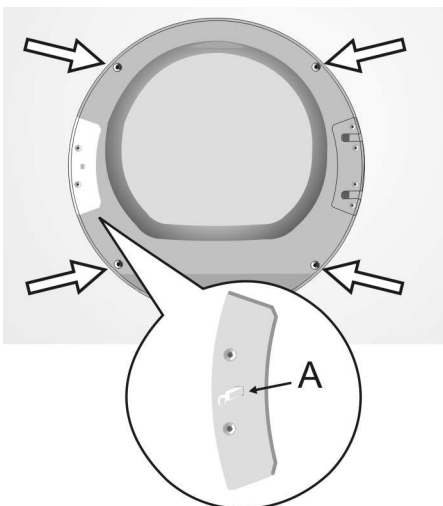
14. Gire el anillo delantero 180 grados para que, ahora, el mango de la puerta quede del lado derecho. El mango de la puerta está ubicado en el interior del anillo delantero. Es una hendidura del tamaño de la mano.



15. Voltee la puerta para que la parte trasera apunte hacia arriba.
16. Vuelva a colocar las piezas, manteniendo su nueva alineación.
17. Vuelva a insertar el tornillo que se encuentra debajo de la placa del empujador. Apriete firmemente el tornillo.

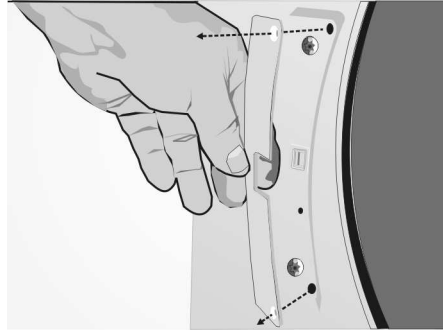


18. Gire la cubierta del empujador y el empujador 180 grados para que el conjunto calce en el área de instalación en el lado opuesto de la puerta (donde se encontraba la bisagra). Vuelva a instalar la cubierta del empujador y el empujador en la nueva ubicación, y apriete firmemente los dos tornillos de la cubierta.
19. Vuelva a insertar los cuatro tornillos del anillo delantero y apriételos.

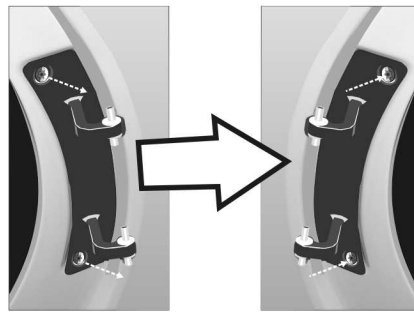


20. Retire los dos tornillos que sostienen la placa de la cubierta de plástico en la posición de

montaje de la bisagra del lado izquierdo, en la carcasa de la secadora. Retire la placa y déjela a un lado con los dos tornillos.

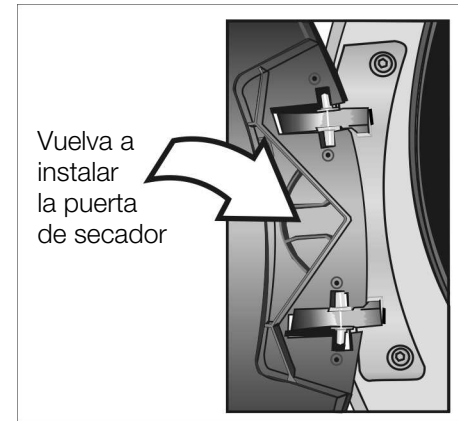


21. Retire los dos tornillos que sujetan la bisagra de metal de la puerta a la carcasa de la secadora. Retire la bisagra de la carcasa.

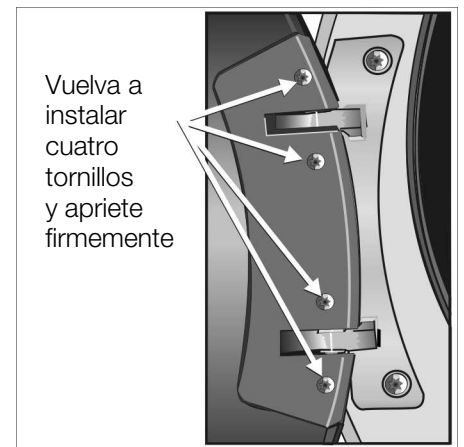


del lado derecho al lado izquierdo

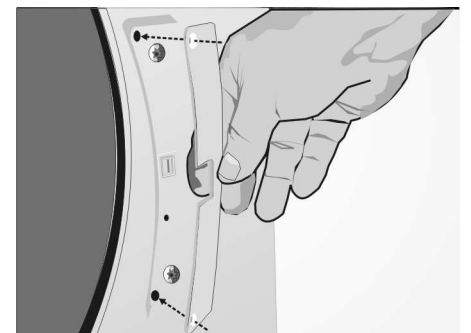
22. Vuelva a sujetar la bisagra de la puerta a la carcasa de la secadora en el lado izquierdo de la apertura de la puerta de la secadora. Apriete ambos tornillos completamente, y asegúrese de que sujeten la bisagra firmemente.
23. Ahora, la puerta está lista para volver a montarla en la secadora.
24. Vuelva a instalar la puerta de la secadora deslizando la sobre los pasadores de la bisagra. No deje que los cuatro manguitos de plástico se caigan de los pasadores de la bisagra. Si alguno se cae, vuelva a instalarlo en los pasadores de la bisagra antes de volver a instalar la puerta de la secadora.



25. Vuelva a instalar el plato de cobertura de bisagra quitado en el paso 4. La adición y aprieta el 4 tener de tornillos el plato de cobertura de bisagra en el lugar.



26. Instale el plato plástico de cobertura sobre la posición original de bisagra en el lado del mano derecho de la apertura de puerta de secador. La adición y aprieta el dos tener de tornillos el plato en el lugar.



27. Pruebe que la puerta abre y cierra apropiadamente. El proceso de la reversión de la bisagra es ahora completo.

Distancias mínimas

Información importante sobre distancias mínimas:

- Según la ubicación de la conexión de aire del escape, se debe sumar a este lado, el lado donde se encuentra la conexión, una distancia mínima adicional de 5 ½ pulgadas (14 cm) para conductos/soportes (consulte la página 85).
- Los beneficios de mantener una distancia superior (espacios libres) a la mínima que se muestra incluyen los siguientes:
 - hay más circulación de aire que enfría la secadora, evita que la secadora se caliente en exceso y mejora el rendimiento del secado.
 - reducción del riesgo de que se produzca moho detrás de los electrodomésticos.
 - reducción de la transmisión de ruidos.
 - facilitación de la instalación y del servicio técnico.
- Si se instala la secadora en una habitación pequeña, las puertas de la habitación deben estar equipadas con ventilaciones de dimensiones mínimas establecidas. Consulte las siguientes ilustraciones de instalaciones cerradas para obtener información adicional.
- Deje un espacio libre adicional para la puerta, la pared y la moldura de la ventana cuando sea necesario.

Tipos de instalación

Respete los siguientes espacios libres mínimos entre la secadora y las superficies adyacentes para todos los tipos de instalación.

Espacios libres mínimos de instalación

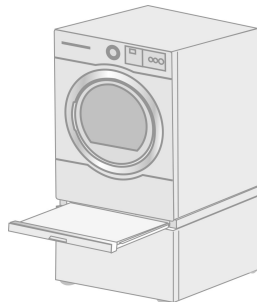
A Laterales	0.25 in. (6.4 mm)
B Parte superior	0.25 in. (6.4 mm)
C Parte trasera*	2.55 in. (64.8 mm)
D Parte delantera	0.50 in. (12.8 mm)

* tan cerca de la pared como lo permita la ventilación o la conexión de agua. Si se instala con una lavadora, se requiere el mayor espacio libre en la parte trasera para la ventilación de la secadora para ambos electrodomésticos.

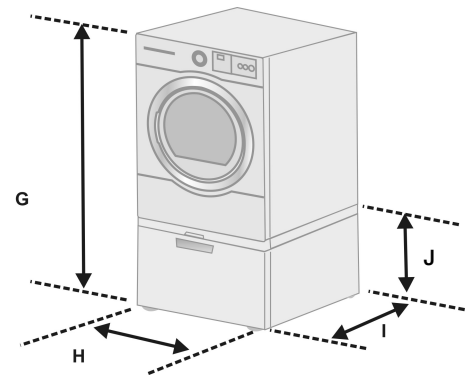
- Las unidades están diseñadas de manera que la secadora pueda apilarse encima de la lavadora usando uno de los kits para apilar que se muestran en la página 86.
- Las unidades están diseñadas para permitir la instalación debajo de la superficie de trabajo; consulte las dimensiones que se requieren en la sección "Instalación debajo de la superficie de trabajo" en la página 80.

Las mediciones de altura que se muestran en esta sección se toman con las patas de la lavadora en la extensión mínima (insertadas completamente contra la base de la lavadora).

Pedestal con estante extraíble



En la siguiente ilustración, se muestran las dimensiones para la instalación del pedestal y el estante extraíble.



Espacio de instalación requerido

G Altura	53.75 in. (136.5 cm)
H Ancho	27.50 in. (69.9 cm)
I Profundidad	33.50 in. (85.1 cm)
J Altura del pedestal.	15.0 in. (38.1 cm)

i El electrodoméstico no debe montarse sobre un pedestal para instalaciones debajo de la superficie de trabajo.

Lavadora y secadora apiladas

En la siguiente ilustración, se muestran las dimensiones para la instalación apilada.



ADVERTENCIA

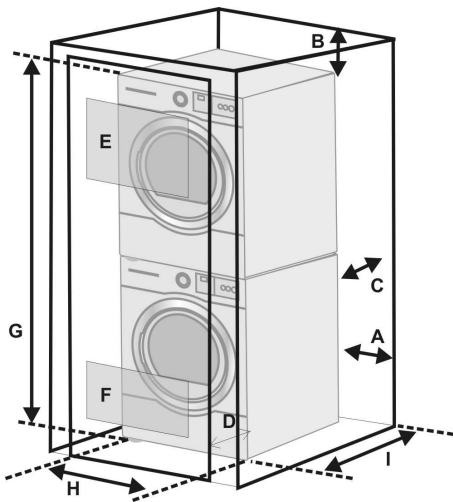
Use una conexión flexible de gas al instalar una secadora apilada.
NO se permite una conexión dura o rígida desde el suministro de gas del hogar hasta la secadora a gas "apilada".

Hay dos kits para apilar disponibles para apilar la secadora encima de la lavadora; consulte la sección "Accesorios" en la página 85.



ADVERTENCIA

Por su peso y tamaño, se recomienda que más de dos personas levanten la secadora para colocarla en su posición. No hacerlo puede ocasionar lesiones personales o la muerte.



Las dimensiones de los espacios libres desde A hasta D se encuentran en la página 79.

Requisitos de ventilación del armario

E Parte superior	48 sq. in. (310 sq. cm)
F Parte inferior	24 sq. in. (155 sq. cm)

Espacio de instalación requerido

G Altura	74.50 in. (189.3 cm)
	* con el kit para apilar básico
Altura	76.02 in. (193.1 cm)
	** con el kit para apilar con estante extraíble
H Ancho	27.50 in. (69.9 cm)
I Profundidad	33.50 in. (85.1 cm)

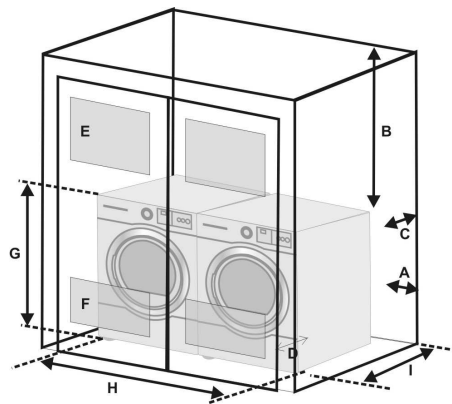
ADVERTENCIA

El electrodoméstico no debe montarse sobre un pedestal en las instalaciones apiladas. La lavadora no debe apilarse encima de la secadora. Esto puede provocar lesiones y/o daños graves.

i Tenga cuidado al deslizar la lavadora y secadora apiladas en su lugar. Consulte las instrucciones de instalación del kit para apilar para obtener más información.

Una al lado de la otra

En la siguiente ilustración, se muestran las dimensiones para la instalación una al lado de la otra empotradas o dentro de un armario.



Las dimensiones de los espacios libres desde A hasta D se encuentran en la página 79.

Requisitos de ventilación del armario

E Parte superior	48 sq. in. (310 sq. cm)
F Parte inferior	24 sq. in. (155 sq. cm)

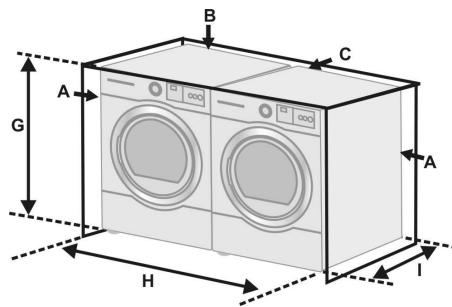
Espacio de instalación requerido

G Altura	37.25 in. (94.6 cm)
H Ancho	54.75 in. (139.1 cm)
I Profundidad	33.50 in. (85.1 cm)

La altura requerida si se monta sobre un pedestal es de 52.25 pulg. (132.7 cm)

Baja Mostrador

Las dimensiones para la instalación de undercounter son mostradas en la ilustración abajo.



Las dimensiones de los espacios libres desde A hasta D se encuentran en la página 79.

Espacio de instalación requerido

G Altura	37.25 in. (94.6 cm)
H Ancho	27.50 in. (69.9 cm)
Ancho*	54.75 in. (139.1 cm)
	* lavadora y secadora una al lado de la otra
I Profundidad	33.50 in. (85.1 cm)

i El electrodoméstico no debe montarse sobre un pedestal para instalaciones debajo de la superficie de trabajo.

Conexión de agua

Esta sección se aplica únicamente a secadoras con conexión de agua. La conexión se encuentra en la parte superior de la parte trasera de las secadoras de las series 500 y 800 con el logotipo SteamCare en el panel.



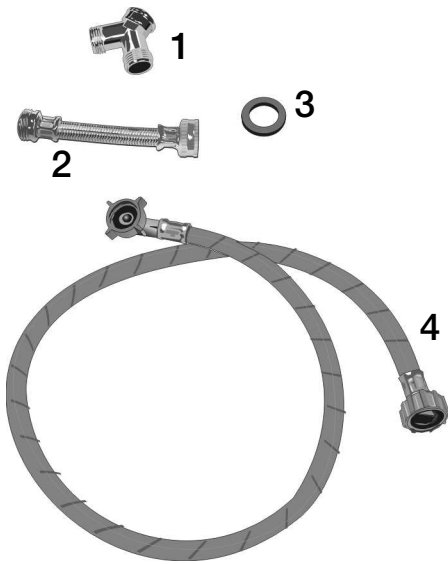
Conecte la manguera de suministro de agua del secador a un grifo de agua fría (el grifo debe estar ubicado dentro de los 4 pies (1.2 m) de la válvula de entrada de agua en la parte posterior del secador).

Se recomienda tener una presión de suministro de agua de 20 – 100 psi (1.37 – 6.89 bar) para un mejor rendimiento.

Dado que la mayoría de las conexiones comparten el grifo de agua fría que se utiliza con la lavadora, se proporciona un conector con forma de "Y" junto con un manguera corta (si es necesaria) a fin de conectar la manguera de suministro al grifo de agua fría.

Piezas de la secadora a vapor incluidas

Las siguientes piezas están incluidas con el envío de su secador.

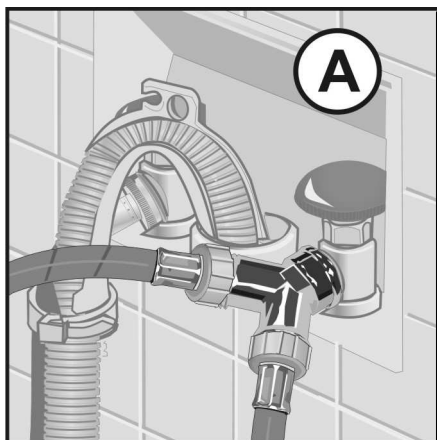


1. Conector "Y"
2. Manguera de entrada de metal trenzado corta
3. Arandela de hule (insertada en la parte hembra de la manguera de entrada corta, que se muestra separada para mayor claridad).
4. manguera de suministro de agua

Para conectar la manguera de entrada

i El secador debe conectarse al conector en forma de "Y" usando la manguera de suministro de agua proporcionada. No use una manguera vieja.

1. Cierre la llave de agua fría y retire de la llave la manguera de suministro de agua de la lavadora.



2. Verifique que la arandela de hule esté completamente insertada y asentada en el extremo hembra de la manguera corta antes de continuar. La arandela de hule aparece como ítem 3 en la ilustración de las piezas suministradas. Se ilustra separada de la manguera para mayor claridad.

3. Si el espacio lo permite, conecte el extremo roscado internamente (hembra) del conector "Y" directamente al grifo de agua fría (opción **A** como se muestra en la ilustración anterior) y siga con el paso 6

Para instalación opcional con el conector Y

Si el conector "Y" no se puede sujetar directamente, use la manguera corta suministrada para conectar el conector "Y" al grifo de agua fría (opción **B** como se muestra en la ilustración), y **continúe con los pasos 4 a 5.**



4. Conecte la manguera corta al grifo de agua fría. Apriete la conexión a mano hasta que el acople esté asentado en el grifo.
5. Use pinzas para apretar la conexión con un giro adicional de dos tercios de vuelta.



Los alicates del uso para sólo terminar apretando vuelta 2/3's para el metal a conexiones metálicas

6. Conecte el adaptador "Y" a la manguera corta. Apriete el acople a mano hasta que quede firmemente asentado en la manguera.

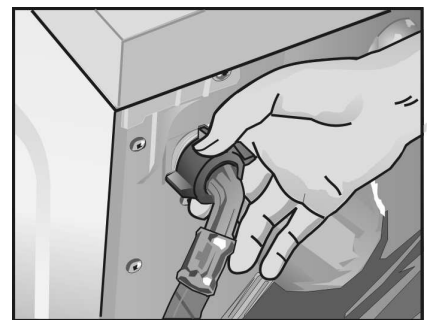
i No utilice alicates para apretar plástico accesorios enhebrados en plástico ni metal conexiones enhebradas.

7. Conecte la manga de suministro de agua fría de arandela al conector "Y". La mano aprieta sólo.

8. Conecte la manga de abastecimiento de agua de secador al otro emparejar del conector "Y". La mano aprieta sólo.

9. Apriete sólo metálico a parejas metálicas en el conector "Y" y manga corta una adicional dos tercios vuelta que utiliza alicates.

i Haga no overtighten. El daño al emparejar podría resultar.



10. Conecte el conector en ángulo recto de la manguera a la válvula de entrada ubicada en la parte superior izquierda del secador.

i Verifique que la arandela de hule no se caiga y que esté bien asentada en el conector en ángulo recto.

11. **Apriete a mano** el acople hasta que quede asentado en el conector. **No use pinzas**, apriete a mano únicamente.

i No apriete en exceso. Se puede dañar el acople.

12. Abra el grifo de agua.

13. Verifique que no haya pérdidas alrededor del conector "Y", del grifo y de ninguna manguera.

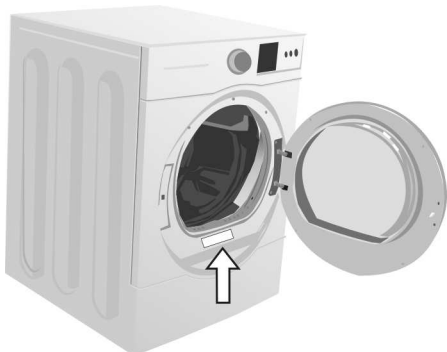
Conexión eléctrica

⚠ ADVERTENCIA

El secador debe conectarse a un ramal individual del circuito eléctrico mediante un enchufe que ha sido debidamente conectado al suministro de energía eléctrica y a tierra.

El voltaje del domicilio debe corresponder a aquél de las especificaciones del secador (chapa de características).

La chapa de características la encontrará en la parte interior del panel frontal.



Las especificaciones de la conexión al igual que los fusibles necesarios se especifican en la placa de identificación del electrodoméstico.

Asegúrese que:

- el enchufe de alimentación corresponda al enchufe.
- el cable de alimentación es adecuado al secador.
- el sistema de puesta a tierra esté correctamente instalado.

El cable de alimentación debe reemplazarlo exclusivamente un técnico calificado o un electricista con licencia.

El servicio a clientes dispone de cables de alimentación de reemplazo (ver página 99).

Volts	Hertz	Amperes	Wattios
110-120	60	9	1080

Conexión de gas

⚠ ADVERTENCIA

¡Para Evitar Peligro de explosiones! Utilice una línea de gas nueva aprobada por AGA o CSA para la alimentación.

Instale una válvula de paso. Sujete firmemente todas las conexiones de gas.

Haga controlar por personal calificado que la presión de gas no exceda 14 in. W.C./ 3.49 kPa/ 0.506 psig. (Gas natural y propano). Un ejemplo de personal calificado incluye:

- personal autorizado de calefacción,
- personal de proveedor de gas autorizado,
- personal de servicio autorizado.

Fallas en estos casos pueden causar explosiones o fuego.

¡Peligro de muerte o lesiones! Debe controlarse que no hay pérdidas en todas las líneas, antes de poner en funcionamiento el electrodoméstico. Aplique agua jabonosa en las uniones y controle si se forman burbujas nuevas. ¡Estas señalan las pérdidas!

Cuando instale la alimentación de gas al tubo de ingreso de gas del secador, no exceda 26 lb-ft (35 Nm).

⚠ ADVERTENCIA

Nunca use una llama abierta para determinar pérdidas de gas.

Tip de gas

Este secador de gas cuando equipado para el uso con GAS NATURAL, empleará un tamaño de orificio 46 y tiene una presión de salida de gas de 3.5" en. W.C.

Su secador debe tener la válvula adecuada para el tipo de gas que tiene en su hogar. La información referente a la válvula se encuentra en la chapa de características detrás de la puerta.

Si las indicaciones antedichas no concuerdan con el tipo de gas a disposición, consulte con su vendedor o bien nuestro equipo de servicio a clientes (ver página 32).

Línea de alimentación de gas

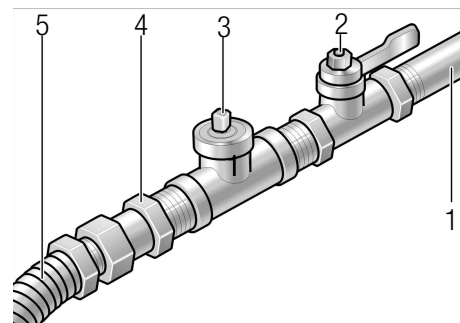
Se recomienda un tubo de 1/2" de diámetro interior.

Se acepta un tubo de 3/8" en longitudes inferiores a lo 20 ft (6,1 m) si lo permiten las reglamentaciones locales y el proveedor de gas.

La línea debe poseer una abertura de inspección de 1/8" con tapa, inmediatamente antes de la conexión de gas.

Debe instalarse:

- **En USA:** una válvula de paso manual dentro de los 6 ft (1,8 m) antes del secador según el National Fuel Code, ANSI Z223.1/NFPA 54.
- **En Canadá:** una válvula de paso manual de acuerdo con el B149, del Instalation Code, CAN/CSA B149.1 y CAN/CSA B149.2. Se recomienda instalar una válvula de paso manual dentro de los 6 ft (1.8 m) antes del secador.



- 1 - Línea de gas de 1/2"
- 2 - Válvula de paso para gas
- 3 - Abertura de inspección con tapa de 1/8"
- 4 - Conexión adaptadora de 3/8"
- 5 - Conector de gas flexible de 3/8" (hacia el secador)

La válvula de paso debe ser de fácil acceso para la apertura y el cierre.

Nota:

El secador debe funcionar correctamente siempre que se interrumpe la conexión de gas

Tubo de gas para el secador

El tubo de gas que sale de la parte posterior del secador es del tipo macho de $\frac{3}{8}$ ".

Conexión del secador

CUIDADO

La conexión debe hacerla personal calificado.

El secador debe estar desconectado del sistema de tuberías de alimentación de gas durante las pruebas de presión. Cuando se lo utilice por primera vez, debe asegurarse que no haya aire en la línea.

ADVERTENCIA

No utilice líneas y tubos de cobre cuando haga la conexión al gas natural.

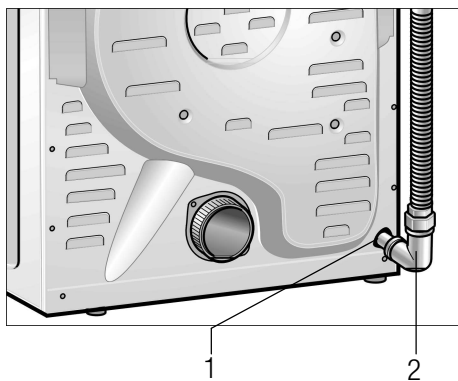
ADVERTENCIA

Use una conexión flexible de gas al instalar una secadora apilada.

NO se permite una conexión dura o rígida desde el suministro de gas del hogar hasta la secadora a gas "apilada".

La conexión puede modificarse si el tipo de la línea de alimentación, su tamaño y localización cambian.

Si las reglamentaciones locales lo permiten, utilice un conector flexible de acero inoxidable (diseño certificado por la American Gas Association o CSA International) para la conexión del secador.



Para reducir la distancia entre el frente del equipo y la pared, utilice un codo de $\frac{3}{8}$ " para acceder al tubo de gas del secador.

1 – tubo de gas ($\frac{3}{8}$ " tubo macho)

2 – Codo de $\frac{3}{8}$ "

Conexión del tubo de aire de salida

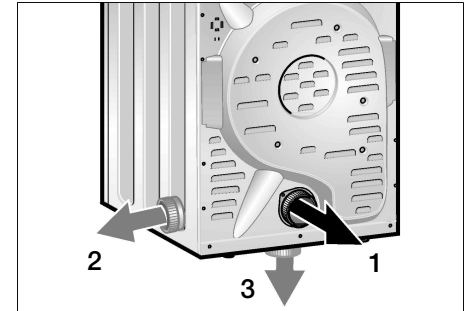
ADVERTENCIA

1. A fin de reducir el peligro de incendio, el aire de salida de este electrodoméstico DEBE CONDUCIRSE AL EXTERIOR.
2. Para reducir el riesgo de incendio, no utilice sistemas de conductos más largos que los recomendados. Consulte la tabla de Longitud máxima del sistema de conductos (ver página 84).
3. No use un conducto de plástico u hojas metálicas, ni ningún otro conducto no metálico con este secador. Sólo se deben usar conductos de metal rígido o flexible para la extracción. Los conductos de hojas metálicas y de metal flexible NO son lo mismo.
4. NO use más de 2.4 m de conductos de metal flexible.
5. NO use un conducto de menos de 4 pulgadas de diámetro.
6. NO descargue el aire del secador en: chimeneas, paredes, techos, lugares cerrados de un edificio, conductos de aire frío de un horno, áticos, huecos sanitarios ni otro sistema de conductos para ventilación.
7. No instale un tubo flexible empotrado en la pared, un cielorraso o piso.
8. NO retuerza ni doble el tubo.
9. Controle y limpie la tubería regularmente. Como mínimo una vez al año.
10. El tubo de salida de aire debe terminar de modo de evitar la circulación inversa, la entrada de pájaros u otros animales.
11. NO arme el sistema de conductos con tornillos ni sujetadores que queden introducidos en él.
12. NO arme el sistema de conductos con tornillos ni sujetadores que queden introducidos en él. Sirven como punto de acumulación de pelusa. Las uniones se deben sujetar con cinta de aluminio.

Salida de aire del secador

El secador se provee con una salida de aire ubicada en la parte posterior del mismo.

A continuación, se ilustran opciones alternativas de conexión de conductos de escape. Seleccione una de estas opciones para hacer un buen uso del espacio disponible o de un sistema de conductos de escape existente.



- 1 – Salida de aire en la parte posterior del electrodoméstico (estándar)
- 2 – Salida de aire en el costado del electrodoméstico (opción)
- 3 – Salida de aire en la parte inferior del electrodoméstico (opción)

Las conexiones especiales para el aire de salida, se las provee su vendedor al igual que parte requeridas para cada opción (ver la página 85).

- Juego para salida lateral
- Juego de salida inferior

El cambio de la salida de aire y una conexión opcional, debe efectuarla un técnico calificado.

Tubería

Puntos importantes a considerar:

El sistema de respiradero del secador separa el aire húmedo mientras la ropa se seca. Usted puede acortar tiempos de secado, salvar energía y ayudar a asegurar la seguridad del sistema cerciorándose que el sistema del conducto de escape de secador sea instalado apropiadamente y es mantenido.

- Mantenga los tramos de conducto (la totalidad del sistema de conductos del escape, desde la secadora hasta la parte externa de la campana del escape) lo más cortos posible (consulte la tabla "Longitud máxima del sistema de conductos" de la página 84.)
- Use la cantidad mínima de codos necesaria para instalar el sistema de conductos del escape. Evite colocar dos codos de 90 grados uno al lado del otro.

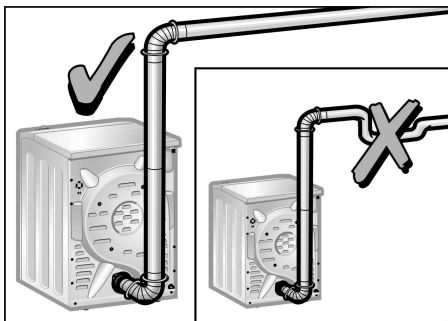
- ❑ Verifique y limpie el sistema de conductos del escape y la campana del escape, por lo menos, dos veces por año, y siempre que sospeche que el funcionamiento de la secadora ha empeorado.

Retire la pelusa acumulada para evitar la disminución del flujo de aire o las obstrucciones del sistema. Se recomienda realizar una limpieza profesional en forma anual y al conectar la secadora a un sistema de conductos de escape utilizado previamente.

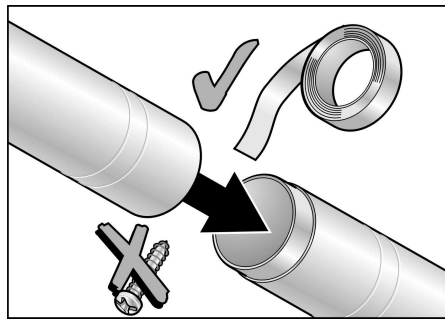
- ❑ Reemplace cualquier tramo de ventilación de plástico u hojas metálicas con conductos de metal rígido o metal flexible. Se recomienda el uso de conductos de metal rígido.

- i** La correcta instalación del sistema del escape es responsabilidad del consumidor.

Los problemas que se produzcan debido a la instalación incorrecta no están cubiertos por la garantía del electrodoméstico.



No se permiten los conductos de escape que no tengan el largo especificado en la tabla sobre longitud máxima de conductos, en la página 84. No seguir las indicaciones de esta tabla prolongará el tiempo de secado, provocará que se acumule pelusa y afectará el rendimiento y la vida útil de la secadora.



Todas las juntas de los tubos deben sellarse para que no presenten pérdidas. El extremo del tubo de menor diámetro, deberá señalar en el sentido de circulación del aire.

Independientemente de conectar la tubería a un sistema existente o nuevo, asegure que esté libre de pelusas.

En la siguiente tabla, se incluye la longitud máxima permitida tanto para conductos rígidos como para conductos rígidos usados con conductos de metal flexible. Si se usan conductos de metal flexible para conectar el electrodoméstico al sistema de conductos, la longitud total del conducto de metal flexible utilizado no excederá los 2.4 m y puede utilizarse únicamente para conectar el secador al sistema de conductos. Como se muestra en la siguiente tabla, la longitud máxima del sistema de conductos se reduce si se utilizan conductos flexibles.

Longitud máxima del sistema de conductos

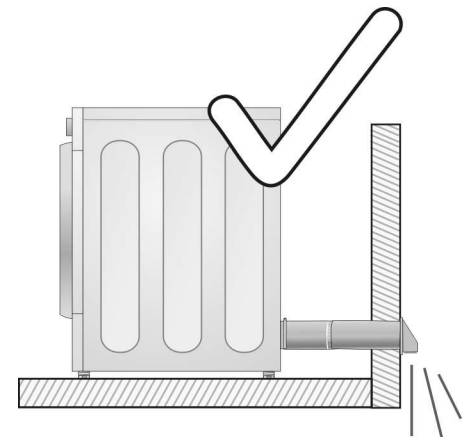
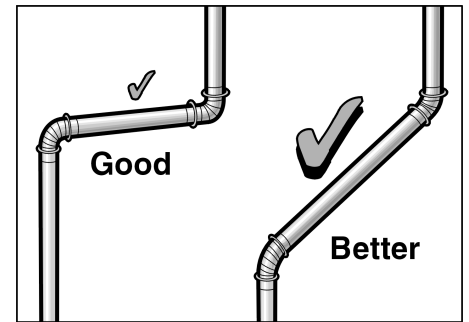
Número de codos de 90°	Tubo rígido	Conductos flexibles en combinación con conductos rígidos
0	66 ft. (2011 cm)	45 ft. (1372 cm)
1	56 ft. (1707 cm)	36 ft. (1097 cm)
2	48 ft. (1463 cm)	29 ft. (884 cm)
3	39 ft. (1189 cm)	22 ft. (671 cm)
4	30 ft. (914 cm)	16 ft. (488 cm)

Nota:

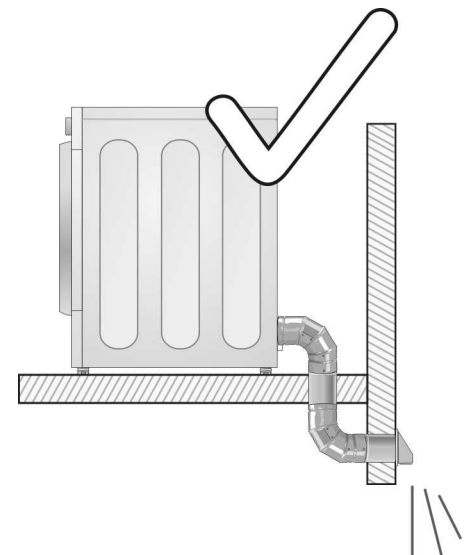
Las instalaciones del escape lateral e inferior tienen un giro de 90° dentro del secador. Tome esto en cuenta al usar la tabla anterior.

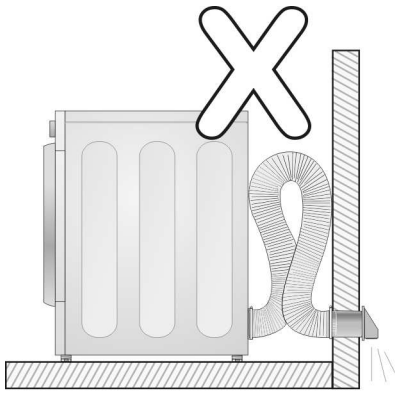
No se recomienda el uso de más de dos codos de 90°. Para un mejor rendimiento, separe los codos a una distancia de, al menos, 4 pies de

conducto recto, incluida la distancia entre el último codo y la campana de escape.

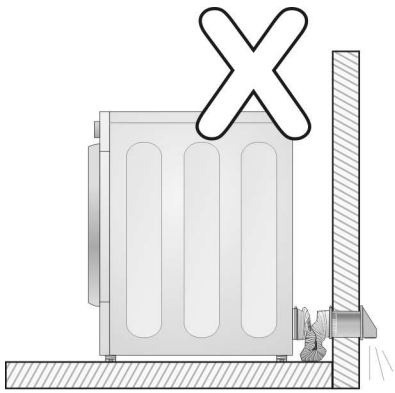


Mantenga los conductos de escape tan cortos y tan rectos como sea posible desde el punto de vista práctico. Esto aumentará el flujo de aire y tendrá como resultado tiempos de secado más cortos.





No permita que los conductos de escape sean más largos de lo necesario. Los conductos más largos reducen el flujo de aire y tienen como resultado tiempos de secado más largos.

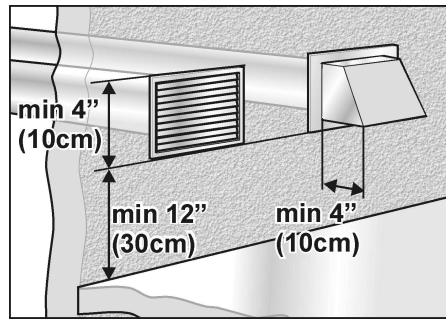


No deje que los conductos de escape se aplasten ni queden restringidos de ningún otro modo. Los conductos restringidos reducen el flujo de aire y tienen como resultado tiempos de secado más largos. Los conductos restringidos pueden reducir el flujo de aire de escape hasta causar una condición de error e incluso detener el ciclo de la secadora. Verifique que el conducto del escape no esté aplastado ni restringido.

Sombbrero de ventilación

El tubo de ventilación debe terminar en un sombrero de ventilación aprobado con laminillas de cierre amortiguado. NO utilice un sombrero con seguros magnéticos.

Para evitar restricciones en la ventilación, la salida debe presentar un distancia mínima de 12 pulgadas (30 cm) sobre el suelo u otra superficie de obstrucción.



Piezas necesarias para el sistema de conductos

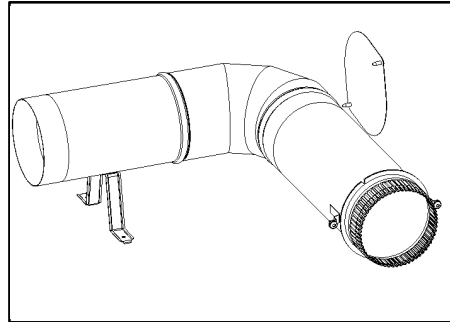
Las piezas necesarias para el sistema de aire del escape (codos, líneas, salidas de aire del escape) no se incluyen en la entrega estándar de la secadora (consulte la sección Accesorios para obtener información sobre cómo solicitar las piezas). Siga las instrucciones suministradas con las piezas.

Se recomienda la instalación profesional del sistema de conductos.

Accesorios

Los siguientes accesorios opcionales para su secadora pueden solicitarse al servicio técnico (consulte la página 99) o a su distribuidor local. ¡Rogamos tener en cuenta las instrucciones de instalación que provee el fabricante!

Juego para salida lateral



Nº de parte: **WTZ1265**

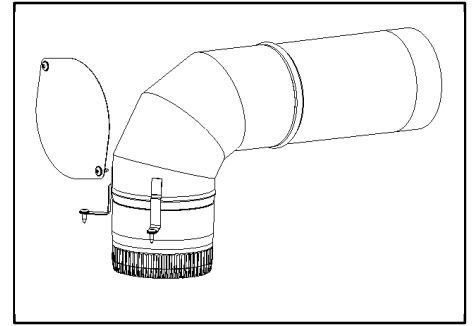
Nota:

Consulte las notas sobre la cantidad máxima de codos en la página 84.

i Se necesita una herramienta especial para calar el orificio del escape en el panel lateral de la secadora.

Para obtener más información, comuníquese con su distribuidor local.

Juego de salida inferior



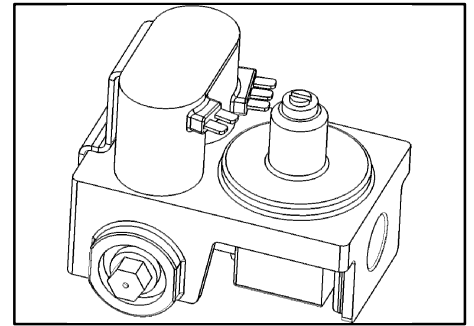
Nº de parte: **WTZ1270**

Nota:

Consulte las notas sobre la cantidad máxima de codos en la página 84.

i El kit de escape de la parte inferior no puede usarse con un pedestal instalado en la secadora ni si la secadora está apilada con la lavadora.

Juego LP Kit



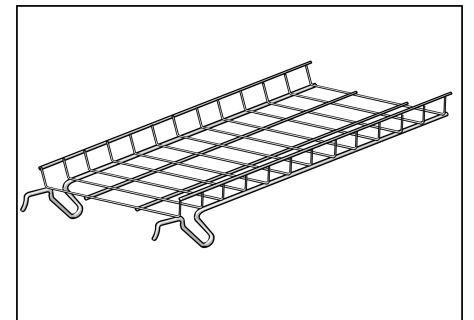
Nº de parte: **WTZ 1280**

Las partes necesarias para la conversión lp, pueden obtenerse del comerciante de la zona. ¡Rogamos se tengan en cuenta las instrucciones suministradas por el fabricante adecuado!

Nota:

El secador debe funcionar correctamente siempre que se interrumpe la conexión de gas

Canastilla para secar



Nº de parte: **WTZ1620**

Utilice la canastilla para secar prendas de lana lavables (p. ej. suéteres) y calzados.

Montje sobre pedestal

Se encuentra disponible como accesorio para su secadora un pedestal de almacenamiento con un cajón extraíble. El pedestal agrega aproximadamente 15 pulgadas a la altura de la secadora. Consulte la página 11 para obtener las dimensiones.



ADVERTENCIA

El electrodoméstico no debe montarse sobre un pedestal en instalaciones apiladas.

La pieza n.º WTZ 1610 es para un pedestal blanco liso.

Puede haber otros colores de pedestales disponibles.

Identifique la pieza n.º WTZ 1610 "X" en la que la X designa un color disponible (p. ej., A para antracita, P para plata). Consulte a su distribuidor sobre las opciones de colores disponibles.

También puede consultar un catálogo de productos actual o visitar nuestra página web:
www.boschappliances.com

Si monta la secadora sobre un pedestal, siga las instrucciones suministradas con el pedestal.

Kits para apilar

Hay dos kits para apilar disponibles.



ADVERTENCIA

Use una conexión flexible de gas al instalar una secadora apilada.

NO se permite una conexión dura o rígida desde el suministro de gas del hogar hasta la secadora a gas "apilada".

Kit para apilar básico

Este kit permite anclar la secadora encima de la lavadora y agrega, aproximadamente, 0.63 pulgadas (16 mm) a la altura de los electrodomésticos apilados. Consulte la página 86 para obtener las dimensiones.

La pieza n.º WTZ 1601 es para el kit para apilar mecánico básico.

Kit para apilar con estante extraíble

Este kit sirve para apilar la secadora encima de la lavadora y también proporciona un estante extraíble. Este kit agrega aproximadamente 1.52 pulgadas (38.6 mm) a la altura de la lavadora/secadora apiladas. Consulte la página 86 para obtener las dimensiones.

Este kit también puede combinarse con el kit para montaje sobre pedestal para proporcionar un estante extraíble, así como también un aumento combinado de altura de la secadora de, aproximadamente, 16.5 pulgadas.

i El pedestal no puede combinarse con el kit para apilar con estante extraíble en instalaciones de lavadora/secadora.

La pieza n.º WTZ 1600 es para el kit para apilar con estante extraíble blanco liso.

Puede haber otros colores de kits para apilar con estante extraíble.

Identifique la pieza n.º WTZ 1600 "X" en la que la X designa un color disponible (p. ej., A para antracita, P para plata). Consulte a su distribuidor sobre las opciones de colores disponibles.

Juego domiciliario móvil

Nº de parte: WTZ 1275

Nota:

Rogamos hacer controlar por la autoridad competente de su zona si puede instalarse un secador a gas en su vivienda móvil. Una vez verificado, la instalación del secador debe realizarse de acuerdo con el Manufactured Home Construction An Safety standard, Título 24 CFR, parte 3280 (formerly the federal Standard for Mobile Home Construction and Safety, título 24, HUD (parte 289) y/o Standard CAN/CSA-Z240 MH).

El conjunto incluye un medio para asegurar el secador en la estructura. Ver página 85 «Conexión del tubo de aire de salida» para la instalación del tubo correspondiente.

El tubo de aire de salida debe estar sujeto a una parte no inflamable de la vivienda móvil y no debe terminar debajo de la misma.

Debe existir un apertura hacia el exterior durante la instalación. Asegúrese que el área de la apertura para el ingreso de aire del exterior sea de por lo menos dos veces el área de la salida de aire del secador o utilice un tubo de por lo menos 5" de diámetro o como mínimo 25 in² de tubo de salida para la abertura.

Preparar el secador para el transporte, paso a paso

- i** Estos procedimientos deben ser realizados por personal calificado únicamente.
1. Cierre la válvula de paso.
 2. Gire el selector de programas a la posición «Off».
 3. Desconecte la alimentación (apague el disyuntor, desenchufe el electrodoméstico).
 4. Desconecte el alimentación de gas.
 5. Cierre el grifo de agua conectado a la manguera de suministro de agua. Desconecte la manguera de suministro de agua.
 6. Desconecte el tubo de ventilación de la salida correspondiente en el secador.
 7. Recoja todos los accesorios y embálelos para enviarlos con el electrodoméstico.
 8. Cierre la puerta y asegúrela con cinta adhesiva.
 9. Atornille los pies ajustables en altura hasta que queden dentro de la carcasa para evitar que se dañen durante el transporte.
 10. **Reinstalación del secador en una nueva ubicación** – Consulte las Instrucciones de Instalación en este manual (ver página 74).

INSTRUCCIONES DE FUNCIONAMIENTO

Antes de usar

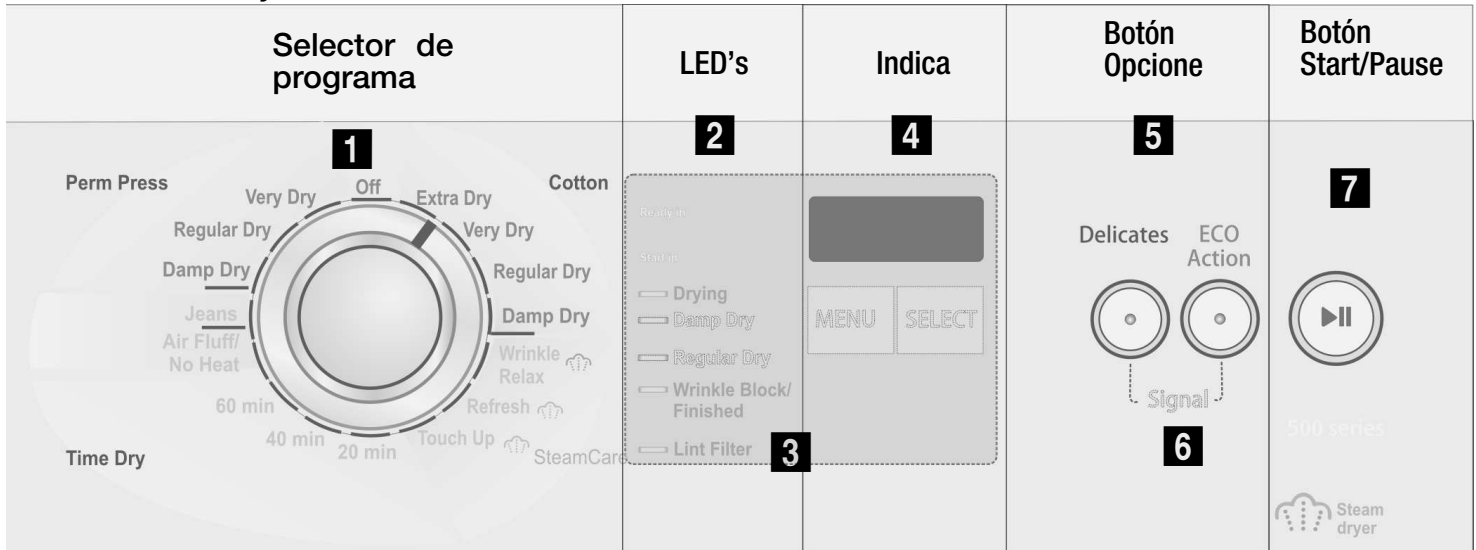
⚠ ADVERTENCIA

Para reducir el riesgo de incendio, descargas eléctricas o lesiones a las personas, lea las INSTRUCCIONES DE SEGURIDAD IMPORTANTES antes de operar este electrodoméstico.

⚠ ADVERTENCIA

Antes de usar su secadora, lea y siga todas las instrucciones de la instalación y funcionamiento.

Panel de manejo



1 Selector de programa

Selecciona el programa. Ver página 89.

Puede girárselo en ambas direcciones.

Para apagar el secador, conmutar el selector de programa a «Off».

2 Luces indicadoras (LED)

Los indicadores luminosos se encienden en secuencia para mostrar el estado de humedad actual del proceso de secado.

Protección contra arrugado – al final del programa de secado, suena una señal acústica y se enciende el indicador luminoso Wrinkle block (Protección contra arrugado). El tambor rota a intervalos específicos durante una hora para evitar que la ropa se arrugue (ver página 90).

3 El LED del filtro atrapapelusas

titila para recordarle que debe limpiar el filtro atrapapelusas antes y después de usarlo.

También titila cuando se abre la puerta durante un programa.

4 Display

Series 300 y 500

La cuenta regresiva de LED indica el tiempo restante estimado de un ciclo que está funcionando (en minutos).

Serie 800

Indica los ajustes de las opciones adicionales y el tiempo restante estimado de los programas. (Ver página 25)

Opciones adicionales

Menu (Menú) selecciona una de las opciones adicionales

Select (Seleccionar) cambia los ajustes de la opción seleccionada

5 Botón Opcione

Agregue funciones al programa seleccionado. El indicador luminoso está encendido cuando el botón de opciones está seleccionado. Presione el botón de opciones nuevamente para apagar la opción (el indicador luminoso se apaga).

Delicates (Ropa fina): Presione el botón Delicates low temp. (Ropa fina baja temperatura) para tratar prendas sensibles a la temperatura (p. ej., fibras de acrílico). Se reduce la temperatura y se prolonga el tiempo que dura el proceso de secado, en la misma proporción.

ECO Action (Acción ecológica): Presione este botón para un ahorro adicional de energía (úselo únicamente para los ciclos cotton (Algodón) y permanent press (Planchado permanente)). Presione el botón de opción antes de comenzar un ciclo automático.

6 Signal

Series 300 y 500

Presione ambos botones de opción al mismo tiempo para activar la señal acústica. Cuando termina el ciclo, se emitirá un sonido de bip de forma audible (consulte la página 89). Presione ambos botones nuevamente para desactivar la señal.

800 Series

La señal de la serie 800 se programa usando el LCD Menu (Menú LCD) (consulte la página 92).

7 Botón Start/Pause

Arranque y parada)

Arranca, interrumpe y para el proceso de secado.

Estado del indicador luminoso Start/Pause (Arranque/Pausa)

Luz titilante: Pueden cambiarse los ajustes, puede arrancarse el ciclo de secado, o el programa está en modo "Pause" (Pausa).

Luz fija: Pueden cambiarse los ajustes, puede arrancarse el ciclo de secado, o el programa está en modo "Pause" (Pausa).

No encendida: El programa finalizó, o no se ha seleccionado ningún programa.

Información adicional de seguridad



ADVERTENCIA

Tenga siempre en cuenta las INSTRUCCIONES DE SEGURIDAD IMPORTANTES (Ver página 72).

Protección del medio ambiente

Consejos para la racionalización de energía

Bosch recomienda lo siguiente, para racionalizar energía, dinero y tiempo:

- **¡Escorra la ropa prolijamente!**
Antes del secado, centrifugue bien la ropa en la lavadora. ¡Use la velocidad de centrifugado más alta posible para el tipo de ropa que esté lavando! Las velocidades de centrifugado más altas de la lavadora reducen la humedad residual y disminuyen el tiempo de secado y el consumo de energía.
- **¡Utilice la carga óptima!**
Use cargas más grandes, hasta las cargas máximas recomendadas para el ciclo y el tipo de ropa. Pero no exceda la capacidad de carga máxima recomendada.
- **¡Limpie el filtro atrapapelusa!**
Verifique el filtro atrapapelusa antes de cada uso de la secadora y, si es necesario, limpie el filtro. Asegurarse de que el filtro atrapapelusa esté limpio antes de comenzar cada carga de secado genera un mejor flujo de aire y un menor tiempo de secado. 27).
- **¡Ventile el ambiente de emplazamiento!**
Proporcione un suministro de aire fresco adecuado durante el proceso de secado.
- **¡No seque materiales inadecuados!**
No seque prendas engomadas o impermeables.
- **¡Limpie e inspeccione el sistema de escape en forma regular!**
Las obstrucciones pueden prolongar el tiempo de secado o hacer que el secador funcione mal.

Desconexión temporal del secador

Opere su secadora únicamente cuando esté en el hogar. Si planea irse de vacaciones o no está usando su secadora durante un período prolongado, debe:

1. Corte el conmutador de alimentación.
2. Desenchufar la fuente de alimentación, si es posible.
3. Limpie el filtro de pelusas.
4. Apagar el suministro de agua (se aplica únicamente a las secadoras Steam).
5. Cierra la válvula de paso.

Ropa

Identificación de prendas

Observe el símbolo que determina el tratamiento en las etiquetas de las prendas. Estas proveen información importante respecto de eventuales limitaciones concernientes al proceso de secado.

No seque textiles de los siguientes tipos:

- Impermeables (p. ej. engomadas)
- Ropa fina (seda, cortinas sintéticas)

i ¡Seque prendas de lana o con alto contenido de lana, únicamente sobre la cesta!

i Utilice el programa «Air fluff/no heat» (Suavizado a aire/ningún calor) para secar materiales de espuma de goma o similares.

Consejos para el secado

En principio, lo siguiente encuentra aplicación en todos los programas:

- Para lograr un secado uniforme, seleccione la ropa de acuerdo al tipo de prenda y al programa a utilizar.
- Cierre los zípers, los cierres de gancho y ojal, los cinturones sueltos, las cuerdas de los delantales, etcétera.
- No seque demasiado prendas de fácil cuidado. ¡Existe el peligro que se arruguen! Deje que estas prendas se sequen al aire libre.
- No planche la ropa inmediatamente después de secarla. Deje la ropa apilada por un momento. De esta manera se distribuye de modo parejo la humedad.
- Las telas tejidas (p. ej., camisetas, sudaderas y otros tipos de ropa similares) con frecuencia se encogen cuando se lavan por primera vez. No use los ciclos «Very dry/Extra dry» (Muy seco/Secado extra) la primera vez que seca estos tipos de ropa para evitar un posible encogimiento.

Algunas prendas, como las mencionadas, también pueden encogerse durante un ciclo posterior. Tenga cuidado cuando seleccione el ciclo para evitar encogimientos.

Selección del ciclo

Para obtener resultados de secado óptimos, su secador ofrece varios grupos de programas y opciones adicionales.

Los ciclos automáticos incluyen Regular/Cotton (Normal/Algodón) y Permanent press (Planchado permanente). La selección del ciclo se basa, en parte, en el tipo de tejido del lavado. Estos ciclos están controlados por medio de sensores de humedad. El tiempo del ciclo está determinado por el grado de humedad medido en la ropa y por el grado de secado seleccionado (p. ej., Damp dry (Secado húmedo), Regular Dry (Secado normal), Extra Dry (Secado extra).

Los ciclos programados funcionan durante un período de tiempo especificado por el usuario. El ciclo programado Air fluff/No heat (Aireado/Sin calor) usa aire ambiente (a temperatura ambiente) sin agregar calor y funciona durante, aproximadamente, 20 minutos, según el modelo de secadora específico.

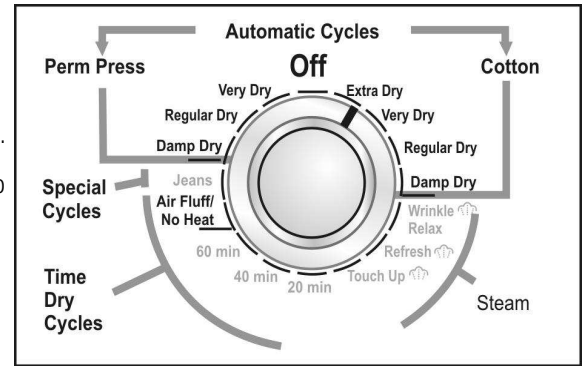
Los ciclos especiales están diseñados a medida para tipos de tejidos específicos, como lana o mezclilla. La lana o los productos de la lana deben secarse únicamente con la rejilla de la secadora.

Los ciclos Steam son mejores para eliminar arrugas y reducir olores. Estos programas deben usarse con cargas que consistan en tres o cuatro prendas de algodón inarrugable, mezcla de algodón/poliéster, suéteres de algodón tejido o fibras sintéticas. **Steam** programs are available only on select models.

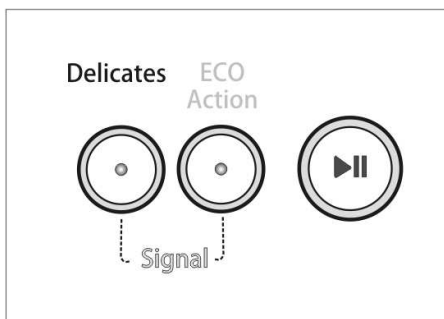
Durante los ciclos Steam se rocía una pequeña cantidad de agua en el tambor mientras la carga de ropa gira con calor. Se repite este proceso, seguido de un período adicional de giros y un breve período de enfriado. El nivel y el tiempo de calor están programados previamente para estos ciclos.

Nota: Los resultados pueden variar según el tipo de tejido. Las prendas de 100% algodón con acabado antiarrugas pueden dar mejores resultados.

Si la boquilla deja de pulverizar durante uno de los ciclos **Steam** (los síntomas serían que no se observa pulverización de agua en el tambor, la ropa tiene más arrugas que lo habitual con esta función), asegúrese de que la boquilla no esté obstruida. Es posible que se acumule pelusa que obstruya la punta de la boquilla, o el agua dura puede provocar acumulación de sarro en la boquilla (ver página 96).



Option Buttons (Opciones)



Delicates (Ropa fina)

Presione el botón "Delicates" (Ropa fina) para telas sensibles a la temperatura. Respete la información o los símbolos de cuidado que traen las telas. La temperatura del proceso de secado se reduce y el tiempo de secado se extiende al usar esta opción.

ECO Action (Acción ecológica)

Su secador tiene una opción ECO para "ahorro de energía". Esta opción se usa sólo con los programas automáticos para algodón y planchado permanente. Se reduce la temperatura y se prolonga el tiempo que dura el proceso de secado. Presione el botón de la opción antes de arrancar un programa automático.

- i** El tamaño de la carga, el tipo de tejido y las condiciones climáticas afectan la opción "ahorro de energía" del programa ECO Θ .
- i** La combinación del botón "Delicates" (Ropa fina) puede producir aun más ahorros.

Signal (Señal)

300 y 500 Serie

Su secadora emite de forma audible una señal de bip para alertar al usuario acerca de determinados eventos. Active la señal presionando simultáneamente los botones de opción "Delicates" (Ropa fina) y "ECO Action" (Acción ecológica).

Para desactivar la señal, presione ambos botones de opción (también en este caso, presionando ambos al mismo tiempo). Cada vez que se presionan los dos botones de opción juntos se conmuta el encendido o apagado de la señal.

No es necesario mantener los botones presionados después de presionarlos.

La señal emitida variará según la siguiente tabla.

Señal	Tipo
Arranque	Sonido corto
Fin de programa	Secuencia de sonidos cortos
Selección incorrecta	Secuencia de sonidos prolongados
Advertencia de mal funcionamiento	Secuencia de sonidos prolongados

- i** La señal "Warning of malfunction" (Advertencia de mal funcionamiento) está siempre activa, se haya presionado o no el botón "Signal" (Señal).

Indicadores de LED de la secuencia del ciclo

La secadora usa un sistema de escáner electrónico en todos los ciclos, excepto los ciclos programados. Un sensor de humedad verifica continuamente la humedad en la ropa. El secado finaliza automáticamente tan pronto como se alcanza el grado de secado seleccionado.

El grado de secado actual está representado por las luces indicadoras de LED. Cada luz se ilumina en sucesión a medida que avanza el secado.

La luz de LED a la izquierda de "Drying" (Secado) se ilumina cuando comienza el ciclo de secado seleccionado. En los modelos selectos, las luces de LED de "Damp Dry" (Secado húmedo) y "Regular Dry" (Secado normal), indican cuándo se llega a cada etapa.

Cuando la carga está lista, la luz de LED al lado de "Wrinkle Block/Finished" (Protección contra arrugado/Terminado) se ilumina.

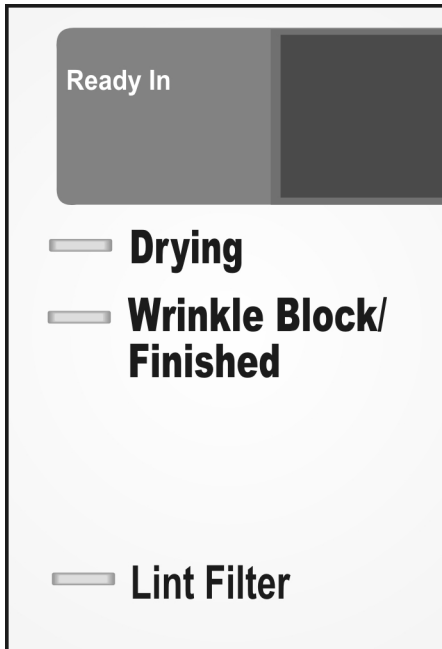
"Wrinkle Block/Finished"

El tambor continúa girando a intervalos específicos durante una hora para ayudar a disminuir la cantidad de arrugas de la carga de ropa. Retire la ropa cuando termine el ciclo, o dentro del período "Wrinkle Block®" (Protección contra arrugado) a fin de obtener los mejores resultados.

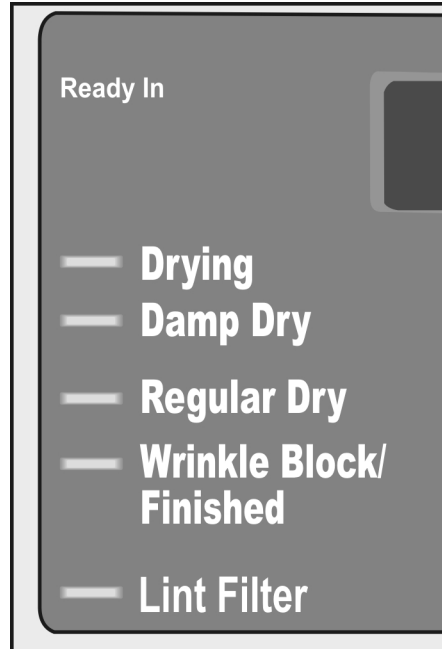
La función Wrinkle Block® (Protección contra arrugado) comienza cuando termina la fase de secado para todos los ciclos, excepto para el ciclo de lana. Después de la finalización de un ciclo de secado, la función Wrinkle BlockR (Protección contra arrugado) hace girar el tambor durante, aproximadamente, 16 segundos cada dos minutos durante los primeros 10 minutos. Luego, aproximadamente, 16 segundos cada 5 minutos durante los siguientes 50 minutos.

Los indicadores de LED varían según el modelo

Luces de LED de las secadoras de la serie 300



Luces de LED de las secadoras de la serie 500



Luces de LED de las secadoras de la serie 800



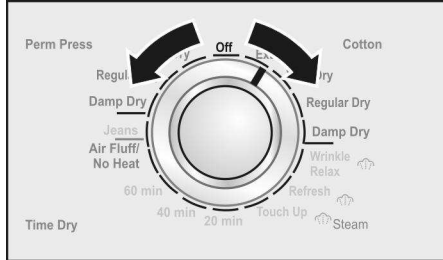
i Si algún LED o botón se ilumina en el panel cuando el selector de ciclo se coloca en la posición "Off" (Apagado), apague el disyuntor y llame a servicio a clientes.

Tabla de selección de ciclos

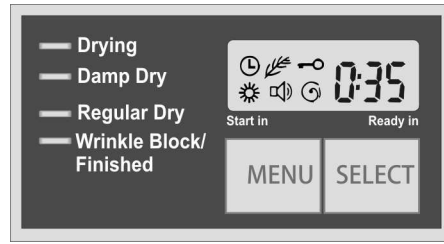
Programas automáticos		
Cotton (Algodón) Para algodón o ropa de color hecha de algodón o lino. Presione el botón de opción "Delicates" (Ropa fina) para telas sensibles a la temperatura.		
Damp dry (Húmedo seco)	Sábanas, manteles y toallas	debe plancharse
	Sábanas, manteles y toallas, camisetas, camisetas deportivas, ropa de trabajo	
	Camisetas, camisetas deportivas, trajes, pantalones, ropa de trabajo e interior	
Regular dry (Medianamente seco)	Toallas de rizo, repasadores, y toallas de mano, sábanas, ropa interior, soquetes de algodón	que no debe plancharse
Very dry (Muy seco)	Toallas de rizo, repasadores, y toallas de mano, sábanas, ropa interior, soquetes de algodón	que no debe plancharse gruesos multicapa
Extra dry (Extra seco)	Salidas de baño de rizo y sábanas de rizo,	particularmente gruesas o multicapa
Permanent Press (Planchado permanente) Ropa de fácil cuidado (sin centrifugar) de fibra sintética o mezcla, algodón con poliéster. Presione el botón «Delicates» para prendas extremadamente sensibles a altas temperaturas.		
Damp dry (Húmedo seco)	Pantalones, trajes, faldas, camisetas, blusas, jeans, ropa deportiva con abundante fibra sintética, lencería	que no debe plancharse o solo ligeramente
Regular dry (Medianamente seco)	Camisetas, blusas, ropa deportiva	que no debe plancharse
Very dry (Muy seco)	Sábanas y manteles, equipos de gimnasia, anoraks, frazadas	que no debe plancharse gruesos multicapa
Steam Ciclos		
Steam Refresh	Algodón, mezclas de algodón/poliéster, tejidos comunes y camisetas sintéticas, pantalones, faldas, camisetas y pulóveres de mezcla de algodón. Los tejidos inarrugables dan los mejores resultados. Ayuda a alisar las arrugas y reducir los olores. Úselo con una carga ligera, por ejemplo, 3 ó 4 camisetas. El programa dura aproximadamente 16 minutos.	
Steam Wrinkle relax	Ayuda a alisar las arrugas. Úselo con una carga ligera, por ejemplo, 3 ó 4 camisetas. El programa dura aproximadamente 12 minutos.	
Steam Touch up	Este programa se usa para retocar una carga de tejidos de algodón que se ha secado y ha quedado en el tambor del secador durante toda la noche, al finalizar el ciclo. Este programa de 20 minutos retoca la carga para ayudar a alisar las arrugas causadas por el propio peso de la carga.	
	La ropa que contiene espuma, hule o plástico debe dejarse secar en un tendedero o usando el ciclo Air fluff/No heat (Suavizado a aire/Ningún calor) ya que estos artículos pueden prenderse fuego debido al calor que emite el programa Steam.	
Special Programs		
Wool	Tejidos de lana lavables (p.ej., suéteres, pulóveres de lana, faldas) ¡Los tejidos de lana secos o con alto contenido de lana deben secarse sólo con la canastilla del secador!	
Jeans (Mezclilla)	Tela de mezclilla gruesa	
Dark Color (Serie 800)	La oscuridad coloró textiles (ropa por ejemplo pesada y oscura (algodón))	
Active Wear (800 Series)	Cargas pequeñas, cargas que necesitan un tiempo de secado corto (p. ej., camisetas deportivas, prendas para hacer ejercicio (telas de poliéster, nylon, sintéticas))	
Programas temporizados		
20, 40 min., 60 min. (Serie 300/500) Medium + required drying time (800 Series) (Serie 800) Si selecciona un programa de duración variable (p. ej., programas de tiempo, para lana) la pantalla comienza a centellear. Debe ajustar el tiempo.	Prendas centrifugadas con bajo contenido de humedad, pequeños artículos individuales, p. ej., toallas de baño, trajes de baño, repasadores. Para la condición de carga más pequeña, de 0.22 lb a 0.44 lb (es decir, una toalla pequeña) debe seleccionarse un programa de secado por tiempo. Presione el botón "Delicates" (Ropa fina) para la opción de telas sensibles a la temperatura. – Para algodón y ropa de color hecha de algodón o lino. – Textiles sensibles a altas temperaturas.	
Air fluff/No heat (Suavizado a aire/Ningún calor)(500 Series) Air fluff / No heat + required time (800 Series)	Refresca o airea prendas con poco uso y seca telas extremadamente sensibles. Para todo tipo de telas, incluida la goma espuma (p. ej., almohadas, muñecos de peluche), el plástico (p. ej., cortinas de baño, manteles), hule (p. ej., alfombras con cubierta de hule), nylon muy fino, olefinas.	

Opciones adicionales Serie 800

i Las opciones adicionales sólo se pueden programar después de seleccionar el ciclo de secado. Gire el Selector de ciclo hasta el ciclo de secado deseado, luego seleccione las opciones deseadas en el LCD Menu (Menú LCD).



Seleccione la opción que desea cambiar con el botón "Menu" (Menú). Presione el botón para moverse hasta la siguiente opción de la pantalla. El símbolo activo titila.



Se muestra la programación para la opción seleccionada en el lado derecho de la pantalla de LCD.

Cuando se muestra activamente, se puede cambiar una programación con el botón "Select" (Seleccionar). Presione el botón "Select" (Seleccionar) para mostrar la próxima programación posible.

i Presionar el botón "Menu" (Menú) mientras se muestra una opción guarda la nueva programación.

i Si usted no aprieta ningún botón por 10 segundos, los ajustes son guardados automáticamente.

Símbolo	Función	Ajustes posibles	Explicación	
	Ajusta el retraso del tiempo de iniciación del secador (Arranque en ... horas!)	0 a 12 h (pasos de 0.5 hs)		
	Cuidado intensivo (más cuidadoso que «Delicates/low heat» (Ropa fina/baja temperatura))	On/Off	Si usted ha elegido la opción adicional "Extra care" (Cuidado extra), la luz indicadora "Delicates" (Ropa fina) se ilumina. Presionar el botón "Delicates" (Ropa fina) cancela la opción adicional "Extra care" (Cuidado extra).	
	Bloqueo de datos (efectivo solamente mientras el programa está en curso)	On/Off	Esta opción adicional permite que usted trabaje sus ajustes para prevenir el uso involuntario del secador. Para encender el secador cuando el protector de seguridad esté activo: Presione y sostenga el botón "prender y parar" por 4 segundos. Para abrir esta opción adicional cuando el secador está funcionando: Presione y sostenga el botón "prender y parar" por 4 segundos.	
	Extra Drying Time Grado de secado seleccionable por el usuario	0, 1, 2, 3 (0=default, 1=dryer, 3=dryest)	Si usted ha elegido los pasos 1 a 3 de la opción adicional "grado de la sequedad" se exhibe el símbolo Z. 0 es el estándar que fija 0 símbolos no se exhibe Z.	
	Volumen de la señal de finalización de programa y de secado	Off, Continuo, Máximo	Su secador hace salir diversas señales para ciertos acontecimientos. Usted puede permitir o inhabilitar la señal simultáneamente presionando los botones demostrados.	
<p>Comportamiento de las señales al final del ciclo seleccionado</p> <p>La señal sonará cuando el ciclo termine para avisarle al usuario que el ciclo ha finalizado. "Wrinkle Block" (Protección contra arrugado) girará la carga periódicamente durante, aproximadamente, una hora después de que finalice el ciclo. La señal sonará a intervalos durante "Wrinkle Block" (Protección contra arrugado) como recordatorio de que la carga está lista.</p>			Event	
			Signal (señal)	
			Permita la señal	Tono corto
			Inhabilite la señal	Dos tonos cortos
			Inicio del Ciclo	Tono corto
			Finalización del ciclo [o durante "Wrinkle Block" (Protección contra arrugado)]	Secuencia de tonos cortos
Mal-Operación	Secuencia de tonos cortos			
Cuidado del malfuncionamiento	Orden de longas tonalidades (volumen máximos)			
	El tiempo de secado optimizado para la velocidad de centrifugado coordina el tiempo restante mostrado para el secador con la velocidad de centrifugado a la cual se centrifugó previamente la ropa en la lavadora	400 600 800 1000 120	Para optimizar la pantalla de tiempo restante, la velocidad de centrifugado a la cual se centrifugó previamente la ropa en la lavadora puede ser ingresada por el usuario.	

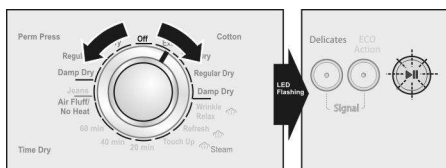
Funcionamiento

Uso del secador

1. Abra la puerta.
2. Verifique el filtro atrapelusa

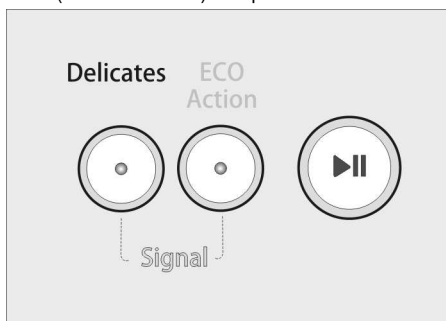
El filtro debe limpiarse antes del secado de cada carga de ropa. Limpiar el filtro reduce el tiempo de secado y ahorra energía. (consulte la página 94 para obtener instrucciones de limpieza para el filtro atrapelusa).

- i** Bleach may cause discoloration of the dryer's colored surface. Therefore, it is important to keep bleach away from the colored surface of your dryer. If any bleach spills on the surface, immediately use a moist paper towel to thoroughly clean it.



3. Gire el Selector de ciclo hasta el ciclo de secado deseado. Seleccione de la tabla de selección de ciclos el programa que corresponda a la ropa que se encuentre en la secadora (consulte la página 91). La luz de la secadora se enciende dentro del tambor cuando se selecciona un ciclo.

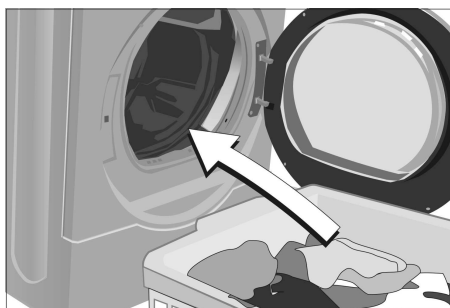
- i** La luz indicadora Start/Pause (Inicio/Pausa) empieza a titilar.



4. Si es necesario, seleccione un opción disponible ["Delicates" (Ropa fina) o "ECO Action" (Acción ecológica)] presionando el botón correspondiente (consulte la figura anterior).

El efecto de cada botón de opción se explica en la página 89.

- i** Se mostrará el tiempo restante estimado.



5. Coloque la ropa en el tambor vacío. Ponga cada prenda dentro de la máquina por separado para reducir el amontonamiento.

Para un resultado óptimo, debe separarse la ropa en función de su tipo y el grado de humedad residual deseado. Para más información, consulte la página 95.

- i** Respete las instrucciones del fabricante sobre lavado y secado, según la ropa y el tejido. Si necesita secar ropa de lana y calzado, consulte la información de la página 95.

- i** Asegúrese de que sólo haya ropa en el tambor. Verifique que todas las prendas estén completamente dentro del tambor y que ninguna esté atrapada entre la puerta y la carcasa de la secadora o el sello de la puerta.

6. Cierre la puerta. La luz indicadora «Start/Stop» continúa a centellear.
7. Presione el botón "Start/Pause (Inicio/Pausa). El ciclo seleccionado comienza y la luz indicadora Start/Pause (Inicio/Pausa) deja de iluminarse en forma intermitente y permanece encendida.

- i** Si la puerta no fue cerrada correctamente, el secador no arrancará.

- i** El ciclo se inicia con una señal acústica (si está programada). Consulte la página 89 para obtener información sobre cómo programar la señal en secadoras con pantalla de LED, y la página 92 para obtener información sobre cómo programar y ajustar la señal en secadoras con pantalla de LCD.

Indicadores de LED del progreso del ciclo

Si ha sido seleccionado un ciclo de secado estándar (no un ciclo de secado programado) las luces indicadoras indican el progreso de la secuencia del ciclo. La secuencia de LED que se muestra a continuación es para las secadoras de las series 500 y 800. La secadora de la serie 300 tiene luces de LED para "Drying" (Secado) y "Wrinkle Block/Finished" (Protección contra arrugado/Terminado).

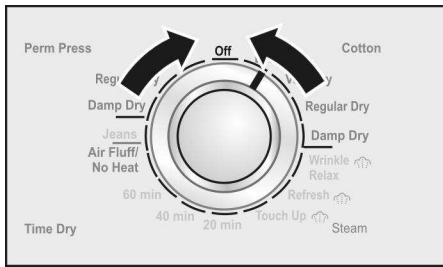


- i** Cuando finaliza el ciclo, se emite una señal acústica (si está programada) y la luz de LED "Wrinkle Block/Finished" (Protección contra arrugado/Terminado) se ilumina.

La señal acústica continuará sonando intermitentemente durante "Wrinkle Block" (Protección contra arrugado).

- i** Cuando el proceso de secado está completo (cuando finaliza el ciclo o el tiempo seleccionado), el tambor gira a intervalos específicos durante 1 hora debido a la característica "Wrinkle Block" (Protección contra arrugado). Esto evita la formación de arrugas en la ropa. La ropa permanece suelta y aireada hasta que se la retira. La ropa debe retirarse antes de que transcurra este tiempo.

8. Abra la puerta.
9. Saque la ropa del secador.



10. Gire el selector de programas a la posición «Off». La luz del secador se apaga.
11. Limpie el filtro. El filtro debe limpiarse después de cada proceso de secado. Un filtro limpio reduce el tiempo de secado y ahorra energía.
12. Cierre la puerta.

Limpiar el filtro para pelusas

Un filtro sucio extiende el tiempo de secado y aumenta el consumo de energía. El filtro debe limpiarse antes de cada carga de ropa.

Si se emite una señal de advertencia y un mensaje de advertencia "CLn" o "E:12" durante un programa de secado, limpie el filtro inmediatamente y verifique el conducto del escape.

i El programa se interrumpe automáticamente.

No enjuague ni lave el filtro para retirar la pelusa. La pelusa mojada es más difícil de retirar. Remueva la pelusa seca para retirarla con los dedos. Puede humedecerse los dedos ligeramente para obtener mejores resultados.

Para limpiar el filtro atrapapelusas siga estos pasos:

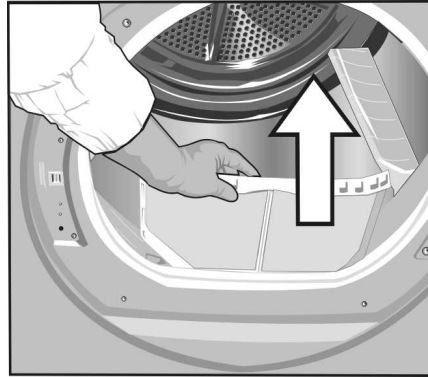
1. Apague el secador. Coloque el selector de programas en "Off" (Apagado).

⚠ CUIDADO

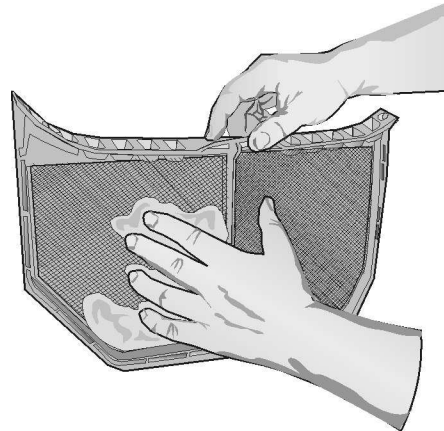
El interior de la puerta se calienta durante el proceso de secado. Evite tocar cualquier superficie caliente hasta se haya enfriado.

2. Abra la puerta.

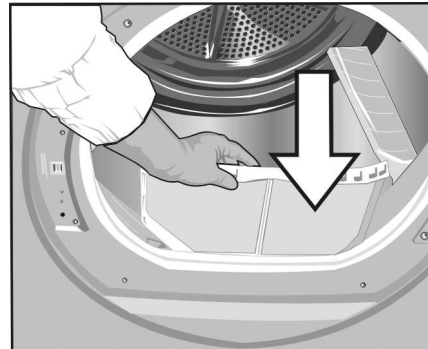
3. Quite el filtro.



4. Quite las pelusas pasando la mano sobre el filtro.



5. Coloque el filtro.



6. Cierre la puerta.

i ¡No opere la secadora sin el filtro atrapapelusa en su lugar!

Retirar la acumulación de residuos

El detergente para ropa y el suavizante de tejidos pueden acumularse en la pantalla del filtro atrapapelusa. Esta acumulación puede provocar tiempos de secado más largos. No se recomienda el uso de toallitas para secadora. Si usted decide usar toallitas para secadora, limpie el filtro atrapapelusa periódicamente para retirar los residuos.

i Si cae pelusa de la pantalla mientras está en la secadora, es probable que se necesite retirar la acumulación de residuos.

El filtro debe cepillarse levemente al menos dos veces al año con agua tibia con jabón. Un filtro con acumulación de residuos tiende a impedir el paso del agua incluso cuando la malla se encuentra sin pelusas. El filtro está limpio cuando deja de impedir el paso del agua. El filtro debe secarse bien antes de insertarlo nuevamente en la secadora.

Para retirar los residuos, siga estos pasos:

1. Limpie toda la pelusa del filtro atrapapelusas.
2. Humedezca ambos lados de la malla del filtro con agua caliente.
3. Moje un cepillo de nylon suave con agua caliente y detergente líquido.
4. Frote ligeramente el filtro atrapapelusas con el cepillo para retirar la acumulación de residuos. Tenga cuidado de no dañar el filtro.
5. Enjuague el filtro con agua caliente.
6. Seque bien el filtro atrapapelusas con una toalla limpia.
7. Vuelva a colocar el filtro atrapapelusas en el secador.

i ¡No opere la secadora sin el filtro atrapapelusa en su lugar!

Uso de la canastilla

(Accesorio, ver página 85)

Utilice la canastilla para secar prendas de lana lavables (p. ej. suéteres) y calzados. La canastilla para secar permanece quieta mientras el tambor gira.

La lana húmeda no debe secarse girando en el tambor, ya que tiende a apelmazarse y encogerse. Secar calzado sin la rejilla puede dañar el tambor.

- i** Utilice la canastilla del secador para secar con el ciclo para prendas de lana. Si no se usa la canastilla, el sensor apagará el secador después de 3 minutos aproximadamente, y la pantalla mostrará “---”.

AVISO

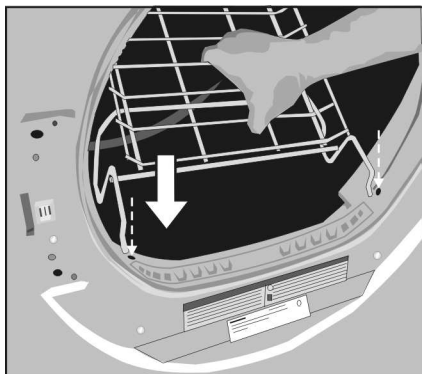
¡Seque solamente una prenda o un par de zapatos por vez! ¡La carga máxima para secar es de 2,2 lbs (1 kg)! ¡La ropa debe haberse centrifugado! ¡El calzado a secar debe presentar solamente la humedad residual después de un lavado! ¡La ropa no debe tocar el tambor! Puede engancharse en éste y dañarse. Una vez utilizada la canastilla para secar, sáquela inmediatamente del secador.

Colocar la canastilla para secar

1. Abra la puerta del secador.
2. Controle que el tambor esté vacío..



3. Sostenga la rejilla de la secadora por la sección central como se muestra a continuación e insértela completamente dentro del tambor, en sentido horizontal. Luego, vuelva a traerla hacia adelante y alinee los extremos delanteros con los dos orificios al lado del filtro atrapapelusa.



4. Con los extremos delanteros enganchados en los orificios, baje la parte trasera de la rejilla de modo tal que se asiente en su lugar, afirmada contra la superficie interna de la carcasa de la secadora.

Secar prendas de ropa sobre la canastilla

1. Doble su ropa de modo tal que quepa en la rejilla de la secadora.
2. Las prendas deben colocarse de modo tal que queden sueltas sobre la rejilla de la secadora. No apile ropa de modo que quede comprimida sobre la rejilla. No permita que las prendas toquen el tambor. Las prendas deben tocar únicamente la rejilla y no deben colgar por encima de los bordes de la rejilla.
3. Cierre la puerta y asegúrese de que no quede ropa atrapada entre la puerta y la carcasa o el sello de la puerta.
4. Para las prendas de lana, seleccione el ciclo Wool (Lana), si está disponible. Para otras prendas, seleccione uno de los ciclos programados.

Seleccione el tiempo de secado de acuerdo con el tipo de ropa.

Secar calzado sobre la canastilla:

1. Prepare el calzado.
 - Limpie el calzado para evitar que el tambor se ensucie.
 - Si está preparando calzado deportivo para secarlo, extienda la lengüeta
 - Afloje o quite los cordones.
 - Extraiga partes adicionales como plantillas.
2. Coloque el calzado sobre la canastilla.
 - Directamente sobre la canastilla o bien
 - Coloque una toalla y, sobre ésta, los tacos del calzado. Esto conducirá a un resultado más uniforme del secado.
3. Cierre la puerta.
4. Presione el botón “Start/Pause” (Inicio/Pausa). La luz indicadora Start/Pause (Inicio/Pausa) se ilumina.
5. Si el calzado aún contiene humedad residual después del tiempo de secado indicado:
 - Cambie la orientación del calzado sobre la rejilla secadora.
 - vuelva a hacer arrancar el proceso de secado y seleccione un tiempo de secado menor, según el grado de humedad residual.
6. Después del secado, airee el calzado a temperatura ambiente durante, aproximadamente, 30 minutos.
7. Quite el filtro.

Limpieza y cuidado

Limpieza del secador

ADVERTENCIA

PARA EVITAR

¡PELIGRO DE EXPLOSIONES!

Nunca utilice solventes o líquidos altamente inflamables para la limpieza.

AVISO

La limpieza incorrecta puede dañar la secadora. No rocíe con una lavadora a presión. No use agentes de limpieza abrasivos ni limpiadores multiuso. No use limpiadores a vapor.

Limpie la carcasa y el panel de control con un paño suave y agua con jabón únicamente.

Friegue el tambor, la junta de la puerta y el interior del mismo solamente con un paño húmedo.

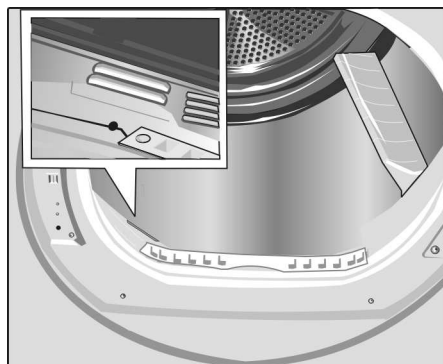
Limpieza el tubo de aire de salida

Inspeccione y limpie los conductos del escape, por lo menos, una vez al año para prevenir obstrucciones. Un conducto de escape parcialmente obstruido prolonga el tiempo de secado y tiene como consecuencia un bajo rendimiento del secador.

- Corte el conmutador de alimentación
- Desenchufe la secadora de la fuente de alimentación.
- Desconecte el tubo del secador.
- Pase una aspiradora en el interior del conducto para retirar cualquier acumulación de pelusa o desechos.
- Reconnect the duct
- Limpiar profesional de conducto es recomendado. Vea página 85.

Limpieza el sensor de humedad

Ocasionalmente debe limpiarse el sensor de humedad, ya que se genera una capa fina de depósitos sobre la superficie del mismo.

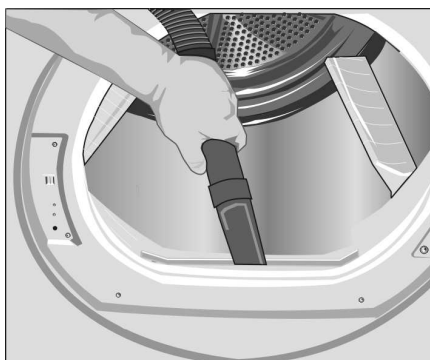


El depósito puede eliminarse fácilmente, fregando el sensor (las dos barras próximas al filtro para pelusas) mediante un paño y un poco de vinagre blanco.

¡Utilice solamente vinagre blanco!
Limpie el sensor de humedad una vez al mes.

Cómo limpiar la carcasa del filtro atrapapelusa

A través del tiempo, se junta pelusa resultante de los sucesivos procesos de secado en la protección del rodamiento.



Esta pelusa puede eliminarse fácilmente utilizando la aspiradora, por lo menos una vez al mes.

Cómo limpiar la boquilla Steam

Una vez al año examine el enchufe del inyector. Si usted sospecha la obstrucción, limpie el exterior del inyector con un paño humedecido con vinagre. Si la boquilla está completamente obstruida, consulte la guía de localización de fallos (ver

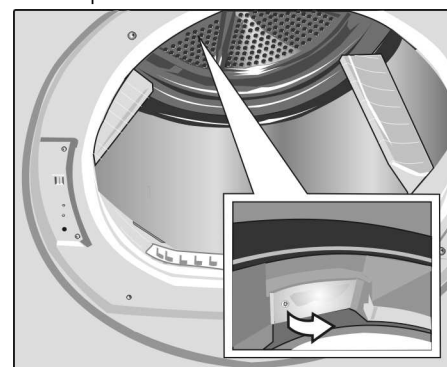
página 98) para conocer las instrucciones de remoción y limpieza. Si la boquilla permanece obstruida, llame a servicio al cliente (ver página 98).

Cambiar la lamparilla

La luz de la secadora se enciende dentro del tambor cuando se abre la puerta y permanece encendida durante, aproximadamente, 5 minutos o hasta que se cierra la puerta. La luz se apaga, aproximadamente, 4 segundos después de que se cierra la puerta.

Para cambiar la lamparilla:

- Fije el selector del programa a "Off."
- Corte el conmutador de alimentación.
- Desconecte el enchufe de alimentación.
- Abra la puerta y ubique la luz de la secadora en el lado superior izquierdo del sello.



- Afloje el tornillo y abra la cubierta de la luz de la secadora.
- Gire la lamparilla en el sentido opuesto a las agujas del reloj. Reemplace la lamparilla únicamente por una del tipo para electrodomésticos (se adquiere en el servicio a clientes).

i Piezas disponibles en www.boschappliances.com o llamando al 1-800-944-2904.

- Vuelva a colocar la cubierta y sujétela mediante el tornillo.
- Enchufe la parte trasera de la secadora en la fuente de alimentación.
- Encienda el disyuntor.

Localización de fallos



ADVERTENCIA

¡PARA EVITAR RIESGO DE DESCARGAS ELÉCTRICAS! Eventuales reparaciones o reemplazos de piezas deben efectuarse exclusivamente por técnicos calificados o electricistas con licencia.

Antes de llamar a Servicio a Clientes, verifique si puede rectificar la falla usted mismo siguiendo esta tabla.

Si es necesario efectuar reparaciones y usted no puede eliminar el fallo mediante la tabla siguiente:

1. Gire el selector de programas a «Off».
2. Quite el fusible.
3. Desconecte el enchufe del tomacorriente.
4. Llame al servicio para clientes (consulte la página 99).

¡Es posible que los puntos sobre resolución de problemas que se enumeran a continuación no estén cubiertos por el servicio técnico de la garantía!

Descarte uno por uno cualquiera de estos problemas antes de llamar al servicio técnico.

Problema	Causa posible	Remedio
El secador no arranca. «Start/Stop» la luz de indicador no ilumina.	El enchufe no está conectado o incorrectamente conectado.	Conecte el enchufe correctamente.
	Se ha desconectado un fusible o el disyuntor.	Reemplace el fusible o reinicie el disyuntor.
	No fue pulsado el botón «Start/Stop».	Presione el botón «Start/Stop».
	No fue seleccionado programa alguno.	Seleccione un programa.
	La puerta no está cerrada.	Cierre la puerta.
	La temperatura ambiente está debajo de los 41 °F/5 °C.	Aumente la temperatura del ambiente.
El ciclo se ha interrumpido. Se emite una señal de advertencia y la pantalla muestra «CLn».	El filtro para pelusas está sucio.	Limpie el filtro atrapapelusa, como se describe en la página 94. Apague la secadora y vuelva a encenderla. Si esto no borra el código de error, llame a Servicio a Clientes (pág. 99).
El ciclo se ha interrumpido. Se emite una señal de advertencia y la pantalla muestra «E:12».	El tubo de aire de salida está obstruido o es demasiado largo.	Limpie el tubo de aire de salida. Reduzca la longitud del tubo de aire de salida a su longitud máxima según se describe en página 84. Apague y vuelva a encender equipo.
	Hay un fallo en el desarrollo del programa o fallo en la máquina.	Apague el secador, déjelo enfriar por 30 minutos y vuelva a encenderlo. Haga arrancar nuevamente el programa.
	El ambiente o gabinete no posee la ventilación suficiente.	Provea un acceso de aire fresco suficiente. Apague y vuelva a encender equipo.
No se ha logrado el grado de humedad deseado o el tiempo de secado es demasiado largo. El display indica «E:03».	Está sucio el sensor de humedad.	Limpie el sensor de humedad según se describe en la página 94. Apague y vuelva a encender el equipo.
	El tubo de aire de salida está obstruido o es demasiado largo.	Limpie el conducto del escape de aire. Reduzca el conducto del escape de aire hasta la longitud máxima como se describe en la página 84. Apague la secadora y vuelva a encenderla.
	El filtro para pelusas está sucio.	Limpie el filtro como se describe en la página 94. Apague la secadora y vuelva a encenderla.
	La ropa está demasiado mojada.	Centrifugue la ropa a mayor velocidad en la máquina de lavar. Apague y vuelva a encender el equipo.
	Se ha seleccionado un programa no admisible.	Seleccione el programa con ayuda de la tabla correspondiente (ver página 92). Apague y vuelva a encender el equipo.
	Se excede el tiempo de secado máximo.	Limpie el filtro atrapapelusa (consulte la página 94). Verifique el conducto del escape de aire. Centrifugue la ropa a mayor velocidad en su lavadora.

Problema	Causa posible	Remedio
No se ha logrado el grado de humedad deseado o el tiempo de secado es demasiado largo. El display indica «E:03».	El motor ha excedido la temperatura máxima.	Apague el secador, déjelo enfriar por 30 minutos y vuelva a encenderlo. Haga arrancar el programa.
	El grado de humedad honesta correctamente ajustado	800 Serie, Cambia ajustes para el grado de la sequedad, véase en la página 92.
No funciona la luz en el tambor.	No fue seleccionado programa alguno.	Seleccione un programa.
	La lamparilla está defectuosa o quemada.	Reemplace el foco quemado y vuelva a instalar la cubierta como se indica en la página 76.
	No hay alimentación de energía.	Controle que la alimentación de energía funcione correctamente.
	La bombilla es floja.	Retire la cubierta del foco y, si el foco está flojo, ajústelo. Vuelva a instalar la cubierta como se indica en la página 76.
No se enciende la luz indicadora «Start/Stop». La luz indicadora “Wrinkle block” (Protección contra arrugado). EL display indica «000».	Error en el desarrollo del programa o fallo en la máquina.	Apague el secador, déjelo enfriar por 30 minutos y vuelva a encenderlo. Haga arrancar nuevamente el programa.
La luz de LED del filtro atrapelusa se ilumina en forma intermitente después de la limpieza del filtro atrapelusa	La intermitencia del filtro de la pelusa LED no es indicación de que hay un problema. Solo es usado como un recordatorio para limpiar el filtro de la pelusa.	No requiere de ninguna acción. LED dejara de estar intermitente.
La pantalla muestra “----”.	Se detectó ropa en el tambor durante el programa para lana (la ropa no está en la canastilla)	Coloque la ropa en la canastilla del secador. Reinicie el programa.
Ruido inusual ruidos sordo	Los rodillos de suspensión del tambor necesitan tiempo para calentarse.	No se requiere hacer nada. Cuando los rodillos del sistema de suspensión se calienten, el ruido sordo disminuirá y deberá detenerse a los 2–3 minutos de empezar a usar el secador.
Ruido inusual: Vibración continua, balanceo de la secadora	El secador no está nivelado.	Nivele el secador (consulte la sección “Instrucciones de Instalación” del manual del usuario).
Ruido inusual Vibración rítmica	La carga rebota porque la ropa se agrupó formando una bola.	Detenga el secador, separe las prendas, vuelva a encender el secador.
No se pulveriza agua en la unidad durante los ciclos Steam	La(s) llave(s) de agua no está(n) abierta(s).	Abra la llave de agua.
	La boquilla no rocía agua correctamente.	Limpie el exterior de la boquilla con un paño humedecido con vinagre. Si esto no restaura el rociado de la boquilla, consulte la acción correctiva “Blocked nozzle” (Boquilla bloqueada) que aparece a continuación.
	Boquilla obstruida	Retire la boquilla con una llave de cubo de 7/16 pulgada. Coloque la boquilla en un recipiente lleno con vinagre blanco en cantidad suficiente para cubrir la boquilla. Deje la boquilla en remojo durante cinco minutos y luego friegue la punta de la boquilla suavemente con un cepillo dental para eliminar los residuos. Enjuague la boquilla y vuelva a insertarla en el secador. Apriétela a mano y luego apriete una vuelta más con la llave.
LED or button illuminated on control panel when Cycle Selector is turned to “Off” position	Condición de falla	pague el disyuntor y llame a Servicio a Clientes (pág. 99).

SERVICE and REPAIR

ADVERTENCIA

ADVERTENCIA: Identifique todos los cables antes de desconectarlos al realizar el servicio técnico de los controles. Los errores de cableado pueden causar una operación incorrecta que podría provocar graves daños al electrodoméstico o lesiones personales. Verifique la correcta operación después de realizar el servicio técnico.

Las secadoras Bosch no requieren más cuidados especiales que la limpieza y los cuidados especificados en la sección Cuidado y limpieza.

i Si tiene un problema con su secador, antes de llamar el servicio a clientes, consulte la tabla en página 30.

Si se hace necesario un servicio, póngase en contacto con su vendedor, instalador u otro centro de servicios autorizado. No intente reparar el electrodoméstico usted mismo. Cualquier trabajo realizado por personal no autorizado, hará caducar la garantía.

Si tiene problemas y no está conforma con el servicio recibido:

- Primero rogamos ponerse en contacto con su instalador o bien el servicio autorizado y contratado Bosch de su zona, explicando porque no está conforme, explicando a que se debe su disconformidad.
- Si después del trabajo realizado por su instalador o técnico de servicio el problema no ha sido solucionado a su satisfacción, háganoslo saber, o bien escribiendo a:

BSH Home Appliances Corporation
5551 McFadden Ave.
Huntington Beach, CA 92649

O bien llámenos a

1-800-944-2904.

Tanto en caso de escribir o de llamar, asegúrese de incluir o tener a mano la siguiente información:

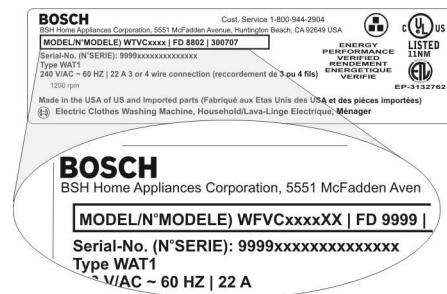
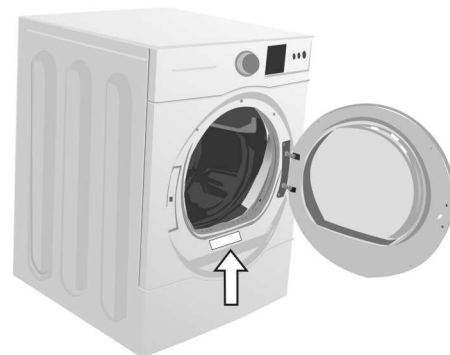
- Número de modelo
- Número de serie
- Fecha de compra original
- Fecha en la cual ha ocurrido el problema
- Explicación del problema

En caso que nos escriba, rogamos incluir también un número telefónico diario y una copia de la factura de compra.

Encontrará la información respecto del número de modelo y de serie sobre la chapa de características ubicada en el interior del panel frontal.

La imagen a continuación muestra la ubicación aproximada de la placa de valores nominales. El número de modelo tiene un rectángulo alrededor. El número de serie está ubicado debajo del número de modelo.

Un ejemplo se demuestra abajo.



El fabricante se reserva el derecho de realizar modificaciones al producto o al manual sin notificación.

DECLARACIÓN DE GARANTÍA LIMITADA DEL PRODUCTO

Secador de ropa Bosch Vision™

Cobertura de esta garantía y a quiénes se aplica: La garantía limitada otorgada por BSH Home Appliances Corporation (Bosch) en esta Declaración de Garantía Limitada del Producto se aplica únicamente al secador de ropa (“Producto”) Bosch Vision™ vendido a usted, el primer comprador usuario, pero estrictamente condicionada a que el producto haya sido comprado: (1) para uso doméstico (no comercial) normal y haya sido utilizado en todo momento únicamente para fines domésticos normales (cualquier uso o programación comercial del producto anula automáticamente la garantía); (2) nuevo en una tienda minorista (que no sea un producto de exhibición, ni un producto vendido “en las condiciones en que se encuentra”, ni un modelo devuelto anteriormente) comprado directamente por el consumidor final, y no esté destinado para reventa ni uso comercial; y (3) dentro de los Estados Unidos o Canadá, y permanezca en todo momento dentro del país de compra original. Las garantías incluidas en el presente se aplican únicamente al primer comprador del Producto y no son transferibles. Bosch se reserva el derecho de solicitar un comprobante de compra en el momento en que se presente cualquier reclamación de la garantía a fin de confirmar que el producto esté dentro del alcance de la presente garantía limitada del producto. La garantía se anula automáticamente si el Producto fue un modelo de exhibición, un producto vendido “en las condiciones en las que se encuentra”, forzado, un modelo dañado o “con ralladuras y abolladuras”, o un modelo devuelto anteriormente, un obsequio, donación caritativa o premio de un concurso.

- Asegúrese de devolver su tarjeta de registro; si bien no es necesario para hacer efectiva la cobertura de la garantía, es la mejor manera para que Bosch le notifique en el caso poco probable de que se emita un aviso de seguridad o se retire del mercado un producto.

Duración de la garantía: Bosch garantiza que el Producto no tiene defectos en los materiales ni en la mano de obra durante un período de trescientos sesenta y cinco (365) días a partir de la fecha de compra. El período precedente comienza a regir a partir de la fecha de compra y no se interrumpirá, dejará sin efecto, extenderá ni suspenderá por ningún motivo.

Reparación/reemplazo como único recurso: Durante el período de esta garantía, Bosch o uno de sus proveedores de servicio técnico autorizados reparará su Producto sin cargo para usted (con sujeción a determinadas limitaciones especificadas en el presente) si se prueba que su Producto ha sido fabricado con un defecto en los materiales o en la mano de obra. Si se ha intentado de manera razonable reparar el Producto sin éxito, Bosch reemplazará su Producto (es posible que usted tenga disponibles modelos mejorados, a entera discreción de Bosch, por un cargo adicional). Todas las piezas y los componentes extraídos serán propiedad de Bosch, a su entera discreción. Todas las piezas reemplazadas y/o reparadas se considerarán como la pieza original a los fines de esta garantía, y esta garantía no se extenderá con respecto a dichas piezas. En virtud del presente, la única y exclusiva responsabilidad y obligación de Bosch es únicamente reparar el Producto defectuoso de fábrica, a través de un proveedor de servicio técnico autorizado por Bosch durante el horario normal de oficina. Por cuestiones de seguridad y daños materiales, Bosch recomienda categóricamente que no intente reparar el Producto usted mismo ni use un centro de servicio técnico no autorizado; Bosch no tendrá responsabilidad ni obligación alguna por las reparaciones o trabajos realizados por un centro de servicio técnico no autorizado. Si usted prefiere que una persona que no es un proveedor de este servicio técnico autorizado trabaje en su Producto, ESTA GARANTÍA SE ANULARÁ AUTOMÁTICAMENTE. Los proveedores de servicio técnico autorizados son aquellas personas o compañías que han sido especialmente capacitadas para manejar los productos Bosch y que tienen, según el criterio de Bosch, una reputación superior de servicio al cliente y capacidad técnica (debe tener en cuenta que son entidades independientes y *no* son agentes, socios, afiliados ni representantes de Bosch). Sin perjuicio de lo que antecede, Bosch no tendrá responsabilidad ni obligación alguna por el Producto que se encuentre en un área remota (a más de 100 millas de un proveedor de servicio técnico autorizado) o en un lugar, área circundante o entorno que no sea accesible por medios razonables o que sea peligroso, hostil o arriesgado; en cualquier caso, a su solicitud, Bosch de todas maneras pagará por la mano de obra y las piezas, y enviará las piezas al proveedor de servicio técnico autorizado más cercano, pero usted seguirá siendo totalmente responsable por el tiempo de viaje y demás cargos especiales de la compañía de servicio técnico, suponiendo que acepte hacer la visita de servicio técnico.

Garantía limitada extendida:

DURACIÓN DE LA GARANTÍA	ALCANCE DE LA GARANTÍA
2 años de garantía limitada a partir de la fecha de compra	Bosch proveerá repuestos, sin cargo, de los componentes que se encuentren defectuosos en condiciones de uso doméstico normal durante los dos primeros años a partir de la fecha de compra, incluidos los costos normales (no acelerados) de envío y sin incluir los gastos por mano de obra.

2 años de garantía limitada para sistemas electrónicos a partir de la fecha de compra	Bosch reparará o reemplazará, sin cargo, cualquier microprocesador o tablero de circuitos impreso que se encuentre defectuoso en condiciones de uso doméstico normal durante los dos primeros años a partir de la fecha de compra, sin incluir los cargos por mano de obra.
2 años de garantía limitada para el motor a partir de la fecha de compra	Bosch reparará o reemplazará, sin cargo, cualquier motor o componente de un motor que se encuentre defectuoso en condiciones de uso doméstico normal durante los dos primeros años a partir de la fecha de compra, sin incluir los cargos por mano de obra.

Producto fuera de garantía: Bosch no tiene obligación alguna, en virtud de la ley o por otro motivo, de otorgarle ninguna concesión, incluidos reparaciones, prorratesos o reemplazo del Producto, con posterioridad al vencimiento de la garantía.

Exclusiones de la garantía: La cobertura de garantía descrita en el presente excluye todos los defectos o daños que no fueron provocados directamente por Bosch, incluidos, entre otros, alguno de los siguientes: (1) uso del Producto de maneras distintas del uso normal, habitual y previsto (incluidos, entre otros, cualquier forma de uso comercial, uso o almacenamiento en exteriores de un producto diseñado para interiores, uso del Producto en aeronaves o embarcaciones); (2) conducta indebida, negligencia, uso indebido, abuso, accidentes, descuido, operación inadecuada, omisión de mantener, instalación inadecuada o negligente, adulteración, omisión de seguir las instrucciones de operación, manipulación inadecuada, servicio técnico no autorizado (incluidos “arreglos” o exploración de los mecanismos internos del electrodoméstico realizados por uno mismo) por parte de cualquier persona; (3) ajuste, alteración o modificación de cualquier tipo; (4) incumplimiento de los códigos, reglamentaciones o leyes de electricidad, plomería y/o construcción locales, municipales o de condado, incluida la omisión de instalar el producto cumpliendo estrictamente con los códigos y reglamentaciones locales de construcción y protección contra incendios; (5) desgaste habitual, derrames de alimentos, líquidos, acumulaciones de grasa u otras sustancias que se acumulen sobre, dentro o alrededor del Producto; y (6) cualquier fuerza y factor externo, elemental y/o ambiental, incluidos, entre otros, lluvia, viento, arena, inundaciones, incendios, aludes de lodo, temperaturas bajas extremas, humedad excesiva o exposición prolongada a la humedad, rayos, sobrecargas eléctricas, fallas estructurales alrededor del electrodoméstico y caso fortuito. En ningún caso, Bosch tendrá responsabilidad ni obligación alguna por los daños ocasionados a los bienes circundantes, incluidos los gabinetes, pisos, techos y demás estructuras u objetos que se encuentren alrededor del producto. También se excluyen de esta garantía las rayas, hendiduras, abolladuras menores y daños estéticos en superficies externas y piezas expuestas; productos en los cuales los números de serie hayan sido alterados, modificados o eliminados; visitas del servicio técnico para enseñarle a usar el Producto o visitas en las que se determine que no hay ningún problema con el Producto; corrección de los problemas de instalación (usted es el único responsable de cualquier estructura y soporte del Producto, incluidas las instalaciones de electricidad y plomería o demás instalaciones de conexión, de la correcta instalación en bases/pisos y de cualquier alteración, incluidos, entre otros, gabinetes, paredes, pisos, repisas, etc.); y el restablecimiento de disyuntores o fusibles. EN LA MEDIDA PERMITIDA POR LA LEY, ESTA GARANTÍA ESTABLECE SUS RECURSOS EXCLUSIVOS CON RESPECTO AL PRODUCTO, INDEPENDIENTEMENTE DE QUE LA RECLAMACIÓN SEA CONTRACTUAL O EXTRA CONTRACTUAL (INCLUIDA LA RESPONSABILIDAD OBJETIVA O LA NEGLIGENCIA), O DE CUALQUIER OTRO MODO. ESTA GARANTÍA REEMPLAZA TODAS LAS DEMÁS GARANTÍAS EXPRESAS O IMPLÍCITAS. LAS GARANTÍAS IMPLÍCITAS POR LEY, YA SEA DE COMERCIABILIDAD O APTITUD PARA UN FIN ESPECÍFICO, O DE CUALQUIER OTRO TIPO, TENDRÁN VIGENCIA ÚNICAMENTE POR EL PERÍODO DE VIGENCIA DE LA PRESENTE GARANTÍA LIMITADA EXPRESA. EN NINGÚN CASO, EL FABRICANTE SERÁ RESPONSABLE POR LOS DAÑOS CONSECUENTES, ESPECIALES, INCIDENTALS, INDIRECTOS, POR “PÉRDIDAS COMERCIALES” Y/O DAÑOS PUNITIVOS, PÉRDIDAS O GASTOS, INCLUIDOS, ENTRE OTROS, TIEMPO FUERA DEL TRABAJO, HOTELES Y/O COMIDAS EN RESTAURANTES, GASTOS DE REMODELACIÓN QUE SUPEREN LOS DAÑOS DIRECTOS, QUE DEFINITIVAMENTE HAYAN SIDO CAUSADOS DE MANERA EXCLUSIVA POR BOSCH O DE OTRO MODO. ALGUNOS ESTADOS NO PERMITEN LA EXCLUSIÓN O LIMITACIÓN DE DAÑOS INCIDENTALES O CONSECUENTES, Y ALGUNOS ESTADOS NO PERMITEN LIMITACIONES CON RESPECTO AL PLAZO DE VIGENCIA DE UNA GARANTÍA IMPLÍCITA; POR LO TANTO, ES POSIBLE QUE LAS LIMITACIONES PRECEDENTES NO SE APLIQUEN. ESTA GARANTÍA LE OTORGA DERECHOS LEGALES ESPECÍFICOS, Y TAMBIÉN PUEDEN CORRESPONDERLE OTROS DERECHOS QUE PUEDEN VARIAR SEGÚN EL ESTADO. Ningún intento de alterar, modificar o enmendar la presente garantía entrará en vigencia, a menos que fuera autorizado por escrito por un ejecutivo de BSH.

Cómo obtener el servicio técnico de la garantía: Para obtener el servicio técnico de la garantía de su Producto, debe comunicarse con el centro de servicio autorizado de Bosch más cercano.

BSH Home Appliances Corporation – 5551 McFadden Avenue, Huntington Beach, CA 92649 / 800-944-2904