



BOSCH

Register your
new device on
MyBosch now and
get free benefits:
[bosch-home.com/
welcome](https://bosch-home.com/welcome)



Universal kitchen machine

MUM4405UC MUM4420UC MUM4620UC MUM4635UC

[en]	Instruction manual	Universal kitchen machine	3
[fr]	Mode d'emploi	Robot ménager universel	28
[es]	Instrucciones de uso	Robot de cocina universal	57

IMPORTANT SAFEGUARDS

READ THIS MANUAL thoroughly for important safety and operating instructions before using this appliance. **HOUSEHOLD USE ONLY**

WARNING: A risk of fire and electrical shock exists in all electrical appliances and may cause personal injury or death.

When using electrical appliances, basic safety precautions should always be followed, including the following:

1. Read all instructions before using the kitchen machine.
2. To protect against risk of electric shock, do not put the drive unit in or under water or other liquid.
3. This appliance is not for use by children.
4. Close supervision is necessary when any appliance is used near children.
5. Do not leave appliances unattended during operation.
6. Unplug from outlet when not in use, before putting on or taking off parts, and before cleaning.
7. To disconnect: switch appliance off then remove plug from power supply.
8. Avoid contacting moving parts. Keep hands, hair, clothing, as well as spatulas and other utensils away from whisks, beaters, blades, disc, dough hook and/or other moving parts during operation to reduce the risk of injury to persons and/or damage to the appliance or its attachments.
9. Do not operate any appliance with a damaged cord or plug, or after the appliance malfunctions or is dropped or damaged in any manner. Return appliance to the nearest authorized service facility for examination, repair or electrical or mechanical adjustment.
10. The use of attachments not recommended or sold by the appliance manufacturer may cause fire, electric shock or injury and is therefore prohibited.
11. Do not use outdoors or when standing in a damp area.
12. Do not let cord hang over edge of table or counter, or touch hot surfaces.
13. Always operate appliance with covers in place.
14. Blades are sharp. Handle carefully due to risk of injury.
15. Use the kitchen machine for processing normal quantities of food for domestic use.

NOTE:

ALSO BE SURE TO READ THE WARNINGS AND CAUTIONS THAT ARE PROVIDED BEFORE EACH ATTACHMENT'S OPERATING INSTRUCTION.

SAVE THESE INSTRUCTIONS

Proposition 65 Warning:

This product may contain a chemical known to the State of California, which can cause cancer or reproductive harm. Therefore, the packaging of your product may bear the following label as required by California:

STATE OF CALIFORNIA PROPOSITION 65 WARNING:



WARNING

Cancer and Reproductive Harm - www.P65Warnings.ca.gov

TABLE OF CONTENTS

IMPORTANT SAFEGUARDS	3
ABOUT YOUR KITCHEN MACHINE	5
Bosch Compact Series Kitchen Machine	5
Unpacking	7
Electrical Specifications	7
Before Using for the First Time	7
Getting to Know Your Bosch Kitchen Machine	7
Power Unit Features	8
Getting Started	10
STANDARD ATTACHMENTS	13
Mixing Bowl with Beating Whisk, Stirring Whisk and Dough Hook (MUZ4KR3)	13
How to Use Dough Hook	14
How to Use Stirring and Beating Whisks	15
Mixing bowl tips	16
Care and Cleaning of Bowl and Its Accessories	16
Blender with Unbreakable Plastic Jar (MUZ4MX2)	17
Care and Cleaning of Blender	20
Continuous Shredder (MUZ4DS2)	20
Continuous shredder, intended use	22
Care and Cleaning of Continuous Shredder	24
Service and Repair	24
TROUBLESHOOTING	25
Sample Recipes	25
Salsa	25
Pesto	25
Fruit Smoothies	26
French Bread	26
Oatmeal Chocolate Chip Cookies	26
BOSCH Small Appliance Warranty	27

ABOUT YOUR KITCHEN MACHINE

Congratulations on having selected one of the Bosch Compact Series Kitchen Machines. A series of kitchen machines that we and — thankfully — cooking professionals the world over, feel are the best compact household-type kitchen machines available.

As you read through these instructions, please pay particular attention to the **IMPORTANT SAFEGUARDS**. Specific safeguards for the attachments, as well as warnings and cautions, are provided in each section describing the operation of that particular attachment.

Bosch Compact Series Kitchen Machine

The Bosch Compact Series Kitchen Machine is available in 4 models:

The MUM 4405 UC

- comprised of the 400-watt power unit with integral cord storage, four-quart capacity mixing bowl, with anti-splash cover (MUZ4KR3), beating, stirring whisks and dough hook and high speed drive cover.

The MUM 4420 UC

- comprised of the 400-watt power unit with integral cord storage, four-quart capacity mixing bowl with anti-splash cover (MUZ4KR3), beating, stirring whisks and dough hook, blender (MUZ4MX2), continuous shredder (MUZ4DS2) with shredding, slicing and grating discs, high-speed drive cover and accessory holder.

The MUM 4620 UC

- comprised of the 450-watt power unit with integral, internal, cord storage, four-quart capacity mixing bowl, with anti-splash cover (MUZ4KR3), beating, stirring whisks and dough hook, blender (MUZ4MX2), high-speed drive cover and accessory holder.

The MUM 4635 UC

- comprised of the 450-watt power unit with integral, internal, cord storage, four-quart capacity mixing bowl with anti-splash cover (MUZ4KR3), beating, stirring whisks and dough hook, blender (MUZ4MX2), continuous shredder (MUZ4DS2) with shredding, slicing and grating discs, high-speed drive cover and accessory holder.



MUM 4405 UC

MUM 4620 UC

MUM 4420 UC

Figure 1

Unpacking

Carefully remove the power unit from its packaging and place it on the counter so it is ready to use. As you remove the accessories from the carton, check them against Figure 1 to ensure that all the standard parts are present.

Electrical Specifications

Check to make sure that the voltage on which your kitchen machine is to operate is the same as specified on the rating plate. Standard North American models have an electrical power rating of 400- or 450-watt maximum power rating with the accessory attachment that draws the most power (some accessory attachments may draw less power).

Before Using for the First Time

Before using any of the attachments for the first time it is recommended they be washed, rinsed well and dried. Of the attachments supplied, with the systems in this manual, all parts, except the blender's blade/base assembly, are dishwasher safe:

- ❑ The blender's blade/base assembly should be washed under running water and dried.

- ⓘ It is recommended that the blender's blade/base assembly never be left to stand in water or soap solution to prevent the bearing lubricant from being washed out.

Getting to Know Your Bosch Kitchen Machine

The Bosch Compact Series Kitchen Machines are comprised of various attachments, depending on the system purchased (see above). In addition to the attachments listed on the previous pages that are available with the standard systems, Bosch offers many special accessories.

Special Accessories

To allow you to get the most service from your Bosch Compact Series Kitchen Machine, Bosch engineers have designed a line of special accessories to expand the usefulness of your machine. In addition to the attachments that come with the various Compact Series Kitchen Machines, there are optional accessories that can be ordered separately. These accessories include a food and meat grinder, grain mills, citrus juicer and ice cream maker, plus additional attachments that can be used with the meat grinder: fancy cookie attachment, fruit pulper and grater attachment. See SPECIAL ACCESSORIES at the back of this booklet. Or, to view all currently available accessories, visit our Web site at

www.boschsmallappliances.com

Work on expanding the usefulness of the Bosch Compact Series Kitchen Machine is a continuing process. If there is some type of accessory in which you are interested in that you cannot find at the back of the book or on our Web site, please either write us at:

Bosch Small Appliances

Customer Support

BSH Home Appliances
5551 McFadden Avenue
Huntington Beach, CA 92649

or call us at:

1 (866) 44BOSCH // [1 (866) 442-6724]

Power Unit Features

Motor

The MUM 4405 and MUM 4420 have a 400-watt motor while the MUM 4620 and MUM 4635 have a 450-watt motor, the most powerful motor offered with any compact household kitchen machine.

All MUM Compact Series power units have the following features, refer to figure 2:

Electronic speed control

Six-position rotary switch is located at the side of the multifunction arm of the power unit: 4 speeds plus a locking park position "P" and a stop position "O/Off," see figure 2a.

Three accessory drives

Three drives:

- A high-speed drive used for blender and other attachments requiring high-shaft speed
- A mid-speed drive used for continuous shredder attachment and other attachments requiring mid-range shaft speeds
and
- A high torque drive used for whisks, dough hook and meat grinder attachment and other attachments requiring more torque.

Each of these drives is controlled by the 4-speed electronic control providing 12 distinct shaft speeds optimizing the motor speed for different loads encountered by different attachments.

Ergonomic multifunction arm

Four locking positions place attachments in the most ergonomic position for their use.

Park position "P"

Six-position rotary switch, located at side of the multifunction arm of the power unit, has "P" position used to "park" the drive unit. The drives must be placed in the park position prior to changing position of ergonomic multifunction arm. If drives are not in proper position for rotating the arm, turning the rotary switch to the "P" position will cause motor to reposition drives. If motor does not reposition drives when turned to the "P" position, the drives are already in position for arm to be rotated.

Motor drive covers

Two covers are provided to cover high-speed and mid-speed drive when they are not in use, see figure 2c.

Convenient cord storage

The MUM 4405 and MUM 4420 have convenient cord storage located on the back of the power unit, where the cord may be wound around the holder, see 2d.

The MUM 4620 and the MUM 4635 have internal cord storage. To store the cord or reduce the length of the cord with these two units, simply pull on the cord and let the cord be retracted into the base of the machine, see figure 2.

Four rubber feet

Four rubber feet will provide the stability, while also serving to isolate the power unit from the hard surface to minimize noise and vibration.

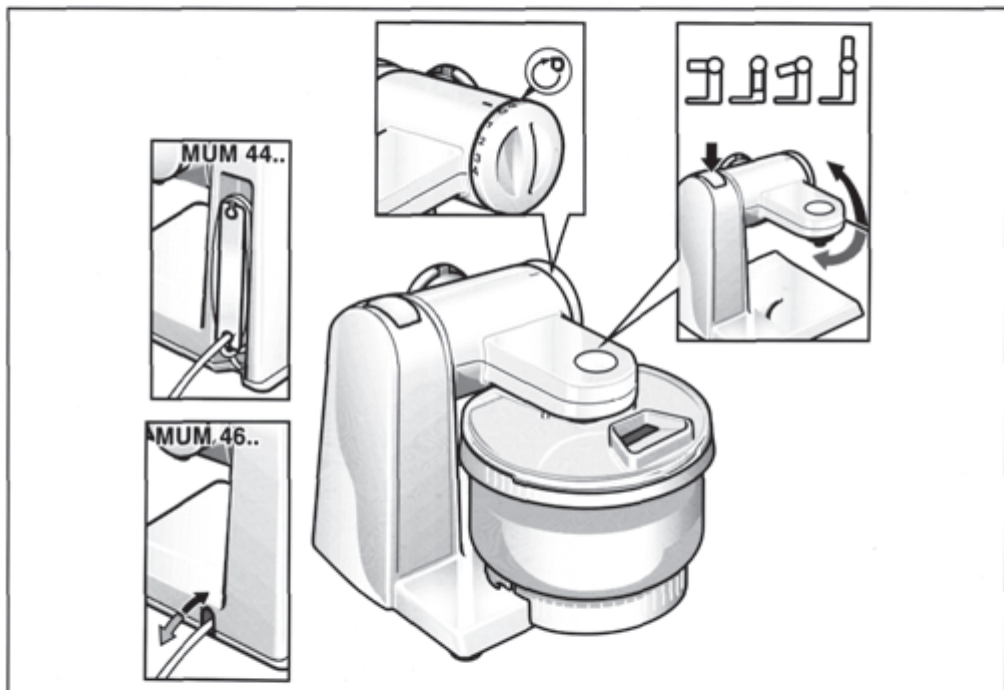


Figure 2

Getting Started

The operation of your Bosch Compact Series Kitchen Machine is summarized below.

Specific instructions for using each of the attachments, provided with the kitchen machine systems covered by this manual, follow the summarized instructions. Please read the specific instructions thoroughly before using that attachment, paying particular attention to the IMPORTANT SAFEGUARDS and WARNINGS provided.

1. Place power unit on suitable work surface.

Before using the machine with any of the attachments, the power unit should be placed on a suitable work surface. The surface should be sturdy, smooth and clean; make sure that there is no flour or oil on the surface. A clean smooth surface will provide the best footing and will limit slipping and/or "walking."

2. Plug power unit into power supply.

Pull the electrical cord or unwind the electrical cord to appropriate length. Make sure power unit is turned to Off "O/Off" and plug it into a convenient nearby receptacle. Turn rotary knob to park "P" position to make sure the drives are in proper position to rotate arm and/or install attachment. If motor does not reposition drives when turned to "P" position, the drives were already in position for arm to be rotated.

WARNING

1. Do not twist or attempt to push in the electrical cord. If the cord becomes jammed, pull out the cord to its full length and then allow it to slowly retract.
2. If the power should be interrupted, the power unit will remain on and will restart when power is restored.

3. Remove motor drive cover.

Remove drive cover from drive to be used, if necessary, see figure 2c.

4. Select attachment to be used.

Select attachment you wish to use. Reposition the ergonomic multifunction arm, if necessary (see figure 4a & 4b), and place attachment on power unit.

The Bosch Compact Series Kitchen-Machine uses its attachments in 6 modes. The various modes used (the drive and position of the arm) are shown in table 1.

Model	Drive and Arm Position	Attachment
1		
2		
3		
4		
5		
6		

Table 1

See specific instructions for attachment selected. Specific instructions are located on pages listed below:

Attachment	Pages
Mixing Bowl with Beating Whisk, Stirring Whisk and Dough Hook	13
Blender	17
Continuous shredder	20

Table 2

5. Operate unit with rotary switch.

Once the attachment is in place, the speed of its moving components can be controlled through the use of the rotary switch at the side of the ergonomic multifunction arm. See figure 2a. The rotary switch has six positions:

- "P" a park position used to "park" the drive unit prior to changing the positions of the ergonomic multi-function arm.
 - "O/Off," the off position.
- and
- Four speeds labeled 1, 2, 3 and 4. Speed 1 is the lowest speed. The speed increases with each succeeding step up to the highest speed, speed 4.

All models of the Bosch Compact Series Kitchen Machines incorporate an electronic safety control to protect the motor. If the safety becomes activated, the motor will stop running. Turn the machine to off and allow to cool. See TROUBLESHOOTING at the back of this manual.

WARNING

Operate the appliance with the attachments in their operating positions, as shown in table 1, only. Do not operate at no load.

6. Turn power unit off.

When your work with the attachment is completed or the capacity of the batch feed attachment has been reached, turn the power unit to off position, "O/Off" turn the rotary knob to the "P" park position, to place the drives to their parked positions, and then unplug.

7. Remove the attachment.

Remove the attachment from the power unit, in some cases it will be necessary to move the arm to allow removal of the attachment. Refer to the instructions for the specific attachment being used.

8. Continue use.

If the attachment was of the batch feed type and you wish to continue using the attachment, empty the bowl or jar of the attachment per its specific instructions and reinstall the attachment as before. Repeat the steps 5 through 7 as often as necessary to complete necessary work.

9. Work completed, remove attachment.

If the attachment is of the continuous-feed type, or is the batch type, and you have completed the work you wished to perform with the attachment, remove the attachment from the power unit. In some cases it will be necessary to move the arm to allow removal of the attachment. Refer to the instructions for the specific attachment being used.

10. Place contents (batch feed type)

If the attachment is the batch feed type, disassemble per the specific attachment's instructions and place the contents in a suitable container.

11. Care and Cleaning

Once you have completed working with the Bosch Kitchen Machine, the next step is to disassemble and clean the attachments. If you wish to use another attachment, please return to step 4, above.

Power unit

With the power unit turned off and unplugged, it should be cleaned only with a clean, damp cloth. Then wipe off the motor drive cover and reinstall on the power unit. Never use coarse or caustic cleaning products to clean the power unit. Never immerse the power unit in water.

The power unit may be left on the counter or stored for future use. In either case, always be sure to replace the drive covers on the drive that was used, if it had been removed. This will prevent dust and/or flour buildup in the drive.

Wind the cord around the cord holder or pull on the cord to have it retract into the machine, and then place in your chosen storage area.

Attachments

The attachment(s) that has been used should be disassembled and washed, per their specific instructions, dried and stored for future use.

STANDARD ATTACHMENTS

Following are the specific instructions for the standard attachments provided with the Bosch Compact Series Kitchen Machines covered by this manual.

Mixing Bowl with Beating Whisk, Stirring Whisk and Dough Hook (MUZ4KR3)

WARNING

1. There is a risk of injury from rotating tools when using the mixing bowl with the beating whisk, stirring whisk or dough hook.
2. Avoid contact with moving parts. Keep hands, hair and clothing, as well as spatulas, bowl scrapers and other utensils away from dough hook and whisks during operation to prevent injury and/or damage to the power unit or accessories.
3. Always work with the bowl lid fitted in place.
4. Do not change tools until the power unit has come to a complete stop; when switched Off, the power unit will continue to turn for a brief period.

All models of the Bosch Compact Series Kitchen Machines are provided with a four-quart mixing bowl with beating and stirring whisks and a dough hook. Additional mixing bowls are available as accessory items under the part numbers: **MUZ4KR3**, refer to SPECIAL ACCESSORIES section at the back of this manual.

The mixing bowl with beating whisk, stirring whisk and dough hook consists of the following components, see figure 3:

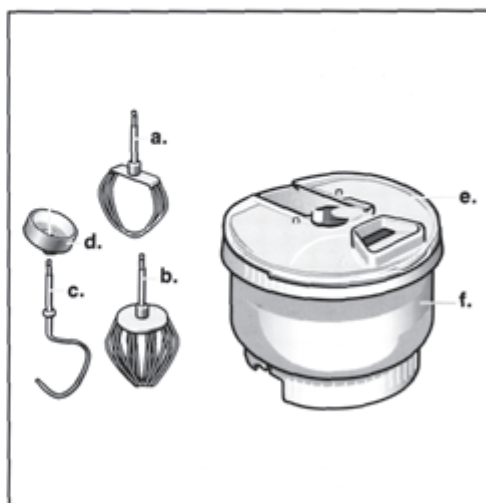


Figure 3

- 3a. Stirring whisk
- 3b. Beating whisk
- 3c. Dough hook
- 3d. Dough deflector
- 3e. Anti-splash cover
- 3f. Mixing bowl

How to Use Dough Hook

The dough hook and mixing bowl are intended to be used to knead yeast doughs and to mix heavy cookie and pastry doughs, and also when adding nuts, chocolate chips, dried fruit, hard butter or shortening, hardened brown sugar, etc. to batters.

Use of mixing bowl with dough hook

Before beginning to attach this or any other attachment, make sure that the power unit is on a smooth, clean, suitable work surface and switched to off position "O/Off."

1. Before using the mixing bowl and dough hook for the first time, it is recommended that the bowl, anti-splash cover and dough hook be washed. All components of the mixing bowl and the dough hook are dishwasher safe. Or they may be washed in warm soapy water. After washing, rinse well and dry before using.

2. The dough hook is used in mode 1, see table 1. To place the mixing bowl and insert the dough hook the arm must be moved as shown in figure 4:

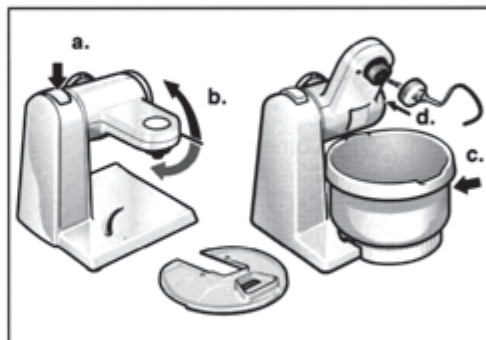


Figure 4

- 4a. Depress release button
- 4b. Lift arm up
- 4c. Place bowl
- 4d. Insert dough hook w/deflector

3. Once the dough hook is in place, check to make sure it is fully inserted and then rotate the arm to the down position by pressing the release button and lowering the arm.

i If the drives had not been parked after last use it may be necessary to plug in the power cord and turn the rotary knob to the park position "P" to position the drive to allow the dough hook to be lowered into the bowl.

Place the anti-splash cover on the bowl. The cover has an integral filling funnel. The cover may be removed to add ingredients, but the cover should be in place whenever the power unit is in operation. The anti-splash cover serves to prevent the escape of flour-dust at the beginning of the stirring and kneading process, and also serves to prevent accidental contact with the moving dough hook.

Placing into Operation w/Dough Hook

Make sure that the power unit is on a smooth, clean, suitable work surface and switched to off position, "O/Off." Pull the electrical cord or unwind the electrical cord to the necessary length and plug into a convenient outlet. The mixing bowl with dough hook is now ready for operation. Sample recipes may be found in the recipe section, at the back of this manual.

How to Use Stirring and Beating Whisks

All Bosch Compact Series Kitchen Machines come with stirring and beating whisks, in addition to the dough hook, see figure 3.

The beating whisk is intended to be used for very light substances, such as cream, egg whites, sauces, batters and light pastry doughs that are thin enough to pour.

The stirring whisk is intended to be used for stirring items, such as cake mixes and light cookie doughs. Always be sure to use the dough hook for heavy cookie doughs; for example, oatmeal-chocolate chip cookie dough.

Use of mixing bowl with beating whisk or stirring whisk

Before beginning to attach this or any other attachment, make sure that the power unit is on a smooth, clean, suitable surface and switched to off position, "O/Off."

1. Before using the mixing bowl and beating whisk or stirring whisk for the first time, it is recommended that the bowl, anti-splash cover and whisk be washed. All components are dishwasher safe. Or they may be washed in warm soapy water. After washing, rinse well and dry before using.
2. Both the stirring whisk, or beating whisk is used in mode 1, see table 1 and figure 4. Follow the same step as shown in figure 4, but for 4d insert the whisk you wish to use rather than the dough hook and its deflector.

3. Once the whisk is in place, check to make sure it is fully inserted and then rotate the arm to the down position by pressing the release button and lowering the arm.

i If the drives had not been parked after last use, it may be necessary to plug in the power cord and turn the rotary knob to the park position "P" to position the drive to allow the whisk to be lowered into the bowl.

Place the anti-splash cover on the bowl. The cover has an integral filling funnel. The cover may be removed to add ingredients, but the cover should be in place whenever the power unit is in operation. The anti-splash cover serves to prevent the escape of flour-dust at the beginning of the stirring process and also serves to prevent accidental contact with the moving whisk.

Placing into Operation w/Beating Whisk or Stirring Whisk

Make sure that the power unit is on a smooth, clean, suitable work surface and switched to the Off position, "O/Off." Pull the electrical cord or unwind the electrical cord to the necessary length and plug into the wall outlet. The bowl with whisk is now ready for operation. Sample recipes may be found in the recipe section, at the back of this manual.

Mixing bowl tips

1. When using the mixing bowl to knead or mix a recipe designed to be prepared by hand, you will find that with the Bosch Kitchen Machine you can usually place all the ingredients in the mixing bowl at once. When doing this,

always place the liquids in first. This will assure more thorough mixing.

2. When adding ingredients to a mixture:
 - a. Turn the rotary switch to a lower speed
 - b. Add the ingredients through the funnel.

Removing Contents

Before beginning to remove the contents from the mixing bowl, make sure that the power unit has been turned to the park position "P" to position the drive, and then to the off position, "O/Off." Remove the anti-splash cover. Once the cover has been removed, the release button may be depressed and the ergonomic arm, lifted upward, see figures 4a and 4b. The dough hook or the whisk may be removed by pulling outward with a straight, steady motion.

The mixing bowl can be removed from the power unit by lifting.

The contents may now be used as desired.

Care and Cleaning of Bowl and Its Accessories

The mixing bowl, whisks, dough hook, dough deflector and anti-splash cover are dishwasher safe.

To facilitate cleaning:

The power unit of the kitchen machine should be cleaned using a clean, damp cloth only. Never use coarse or caustic cleaning products to clean this appliance. Never immerse the power unit in water.

Blender with Unbreakable Plastic Jar (MUZ4MX2)

WARNING

1. There is a risk of injury from sharp blades when using the blender attachment.
2. Keep hands and utensils out of the blender jar while it is attached to the power unit.
3. Blades are sharp. Handle carefully.
4. To avoid injury, never place blade assembly on power unit without blender jar properly attached.
5. Always operate the blender with the cover in place. Always hold the cover in place when in operation to prevent the cover from coming off.
6. The use of attachments, including canning jars, not recommended by the manufacturer, may cause a risk of personal injury.
7. When blending hot and/or frothing liquids, process a maximum of 18 fluid ounces (0.5 litres) at a time.

The MUM 4635 UC, MUM 4620 UC and the MUM 4420 UC Bosch Compact Series Kitchen Machines include the MUZ4MX2 blender accessory. The blender accessory consists of, figure 5:

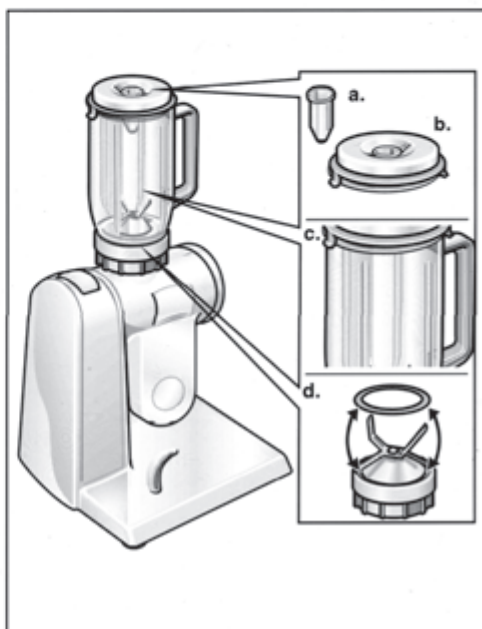


Figure 5

- 5a. Cover closure/funnel
- 5b. Cover
- 5c. Blender jar
- 5d. Blade/base assembly with gasket and locking ring.

1. Before using the blender for the first time, it is recommended that the blender jar cover, closure/funnel and blade/base assembly, gasket and locking ring be washed. All components, except the blade/base assembly, are dishwasher safe. Remove the blade/base assembly from the blender:

First remove the locking ring, as shown in figure 6a and 6b. Then turn the blender over so that the base is facing upward, as shown in figure 7, and remove the blade assembly by turning the blade assembly counterclockwise until it stops and then lift up see figures 7c and 7e.

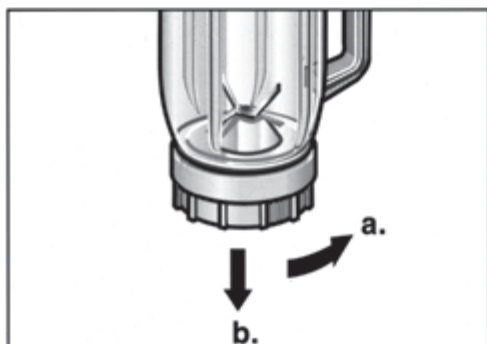


Figure 6

⚠ CAUTION

Blade/base assembly is very sharp.
Handle with care.

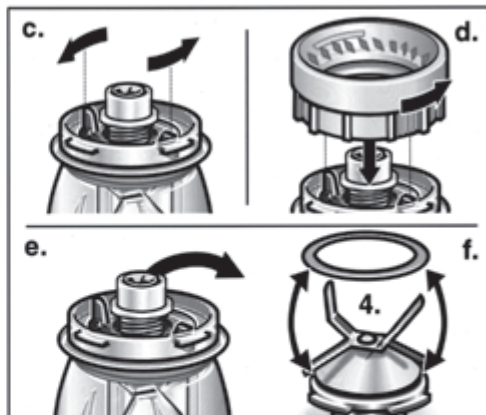


Figure 7

If the blade assembly is too tight to turn by hand, the locking ring may be used to loosen the blade assembly, as shown in figure 7d. After loosening, turn the blade assembly counterclockwise until it stops and then lift up. The gasket may be removed for cleaning, as shown in figure 7f.

Wash the blade/base assembly under running water. Do not place the blade/base assembly in the dishwasher or allow it to stand in water. This will tend to wash out the lubricant. After cleaning, rinse thoroughly and dry before using.

2. To assemble or reassemble blade/base assembly into the blender, reverse the steps that were used in the above to remove it.

3. The blender is used in mode 3, see table 1. To place the blender on the power unit the arm must be rotated to the down position. Depress the release button, see 4a, and lower the arm so that the arm is vertical and the high-speed drive is straight up. If you have not already done so, remove the motor drive cover from the high-speed drive and place the blender on the high-speed drive and turn counterclockwise to lock the blender in place.

Placing Blender into Operation

Make sure that the power unit's rotary switch is in the off position, "O/Off."

Pull the electrical cord or unwind it to the necessary length and then plug into the wall outlet. The blender is now ready for operation.

Normally when blending, the blender jar should be filled with the entire amount of material to be blended, if possible, before switching the appliance to On. The cover and cover closure should always be in place after filling the blender jar and before switching the power unit to On. Any subsequent additions to the blended material should be made through the cover opening, see figure 8. For solids and/or granular material, remove the cover closure/funnel to add the material, as shown in figure 8a. For liquids, the closure/funnel may be left in place and the liquids can be added by pouring them into the closure/funnel, see figure 8b.

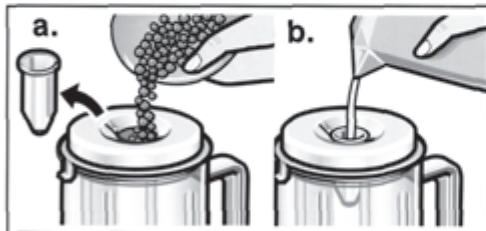


Figure 8

Example of Use of Blender

To familiarize you with the operation of the blender, a sample recipe for mayonnaise is provided below:

Mayonnaise Recipe

- 1 whole egg
- $\frac{1}{3}$ cup of vegetable oil
- 2 tablespoons lemon juice or light vinegar
- 1 teaspoon sugar
- $\frac{1}{2}$ teaspoon dry mustard
- $\frac{1}{2}$ teaspoon of salt
- $\frac{2}{3}$ cup of vegetable oil

Mix all ingredients, except final $\frac{2}{3}$'s cup of oil, for a few seconds at speed 1, then quickly pour the oil in through the opening in the cover in a uniformly thick stream, as shown in figure 8b. Operate the blender at speeds 1 or 4 until mixture is thick and smooth (approximately 10–20 seconds). Makes 1 $\frac{1}{4}$ cups.

Tips:

The blender should be operated with careful consideration as to what is required and/or desired. The speed at which the blender is operated and the length of operation for a given job will depend upon the degree of fineness desired or the amount being blended.

When the blender is being used on dry materials, such as nuts or bread, the best results will be obtained when the blender jar is filled with approximately $\frac{1}{2}$ cup of material to be blended. If the blender does not start (even after trying the highest speed), the blade has become blocked by the contents.

The power unit should be:

1. Switched to off, "O/Off" and unplugged.
2. The mixture should be removed and the contents at the bottom of the jar loosened.

Removing Contents

Before beginning to remove the contents from the blender, make sure that the power unit has been turned to off position "O/Off." Remove the blender from the power unit by turning the blender clockwise while lifting. With the blender removed from the power unit, the contents of the blender may now be poured into a suitable container or bowl, as desired. Replace the cover on the high-speed drive.

Care and Cleaning of Blender

All components of the blender, except the blade/base assembly, are dishwasher safe. It is recommended that the blade/base assembly be cleaned only under flowing water rather than in the dishwasher. Soap and detergent will tend to wash out the bearing lubricant of the blade/base assembly. Do not use scouring cleaners on any of the blender parts.

The power unit of the kitchen machine should be cleaned with a clean, damp cloth only. Never use coarse or caustic cleaning products to clean this appliance. Never immerse the power unit in water.

Continuous Shredder (MUZ4DS2)

WARNING

1. Blades on discs are sharp. Handle carefully. Do not grip the discs by the blades.
2. When operating continuous shredder, keep hands clear of filling and discharge tubes. Only work with pusher.
3. The continuous shredder must be completely assembled before placing on the power unit.
4. Always operate the continuous shredder fully assembled and with cover in place.

The MUM 4635 UC and the MUM 4420 UC Bosch Compact Series Kitchen Machines include the MUZ4DS2 continuous shredder attachment. The continuous shredder attachment consists of, figure 9:

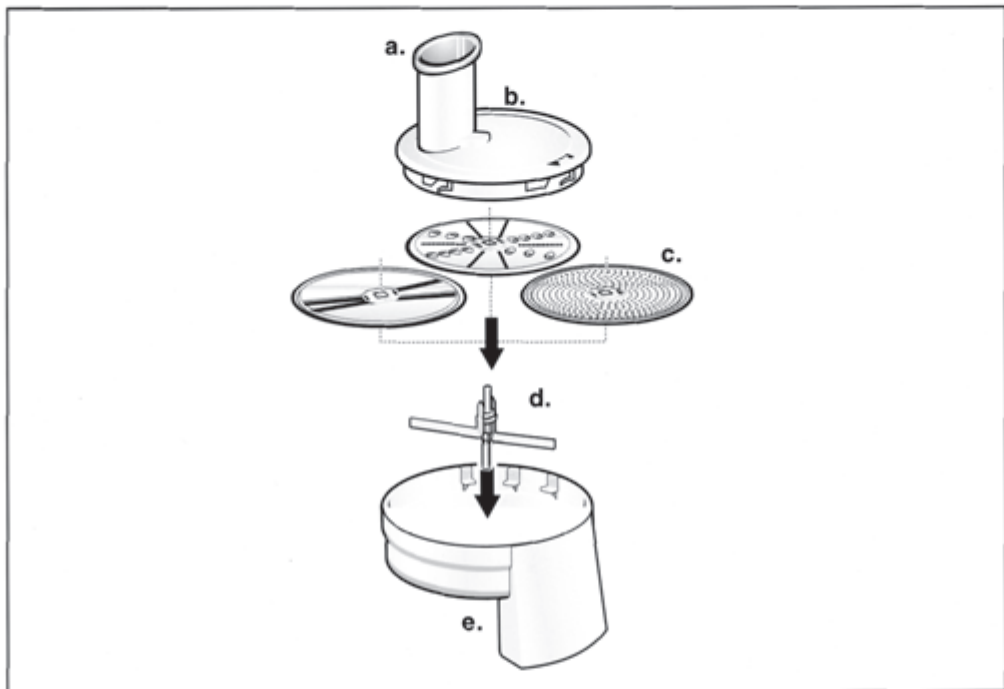


Figure 9

a. Cover closure/pusher

b. Cover

c. 3 slicer/shredder discs:

- reversible slicing disc
- reversible shredding disc
- grating disc

d. disc holder/slinger

e. Housing

Continuous shredder, intended use

The continuous shredder attachment has been designed for slicing, shredding and/or grating of vegetables, as well slicing/shredding of soft cheeses and sausages or meat and grating of vegetables and hard cheese.

Use of Slicer/Shredder

Before beginning to use this or any other attachment, make sure that the power unit is on a smooth, clean, suitable work surface and switched to Off position, "O/Off" and that you have removed the motor drive cover.

1. Before using the continuous shredder for the first time, it is recommended that the cover closure/pusher, cover, discs, disc holder/slinger and housing be washed. All components of the continuous shredder are dishwasher safe. After washing, rinse well and dry before using.

WARNING

The blades on the discs are very sharp.
Handle with care.

The continuous shredder is used in mode 2, see table 1. To place the continuous shredder on the power unit, the arm must be rotated to the horizontal position. Depress the release button, see 4a, and move the arm as necessary so that the arm is horizontal. If you have not already done so, remove the motor drive cover from the mid-speed drive, as shown in figure 10.



Figure 10

Assemble the continuous shredder in the order as shown in figure 9:

1. Insert the disc holder/slinger into the housing.
2. Select disc to be used and making sure that the side desired is facing upward, place it on disc holder.
3. Place cover on housing and turn counterclockwise until cover snaps into place and arrows are aligned, see figure 11.
4. The continuous shredder is now assembled.
5. Place bowl on the power unit. Depress the release button and raise arm so that the bowl can be placed in position, and then lower the arm to horizontal position.
6. Place continuous shredder on the mid-speed drive of the power unit with the arm in the horizontal position and turn counterclockwise until it locks into position.

Placing Slicer/Shredder into Operation

Make sure the power unit is on a smooth, clean, suitable work surface and switched to the Off position, "O/Off." Pull the electrical cord or unwind the electrical cord to the necessary length and plug into a convenient outlet. The continuous shredder is now ready for use.

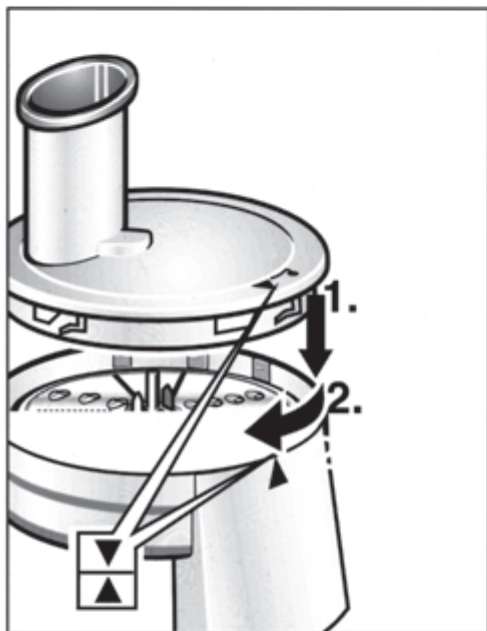


Figure 11

Place items to be sliced, shredded or grated in feeding funnel and be sure to use the pusher to feed items into the discs when in operation.

Learning how to feed food properly into the feed funnel is the most important factor for proper slicing and grating:

1. For long slices or long shreds, place food into the feeding funnel lengthwise.

2. For short or circular slices, place food in the feeding tube on end. For example, if you wish to have circular slices of zucchini or carrots:

- cut to length not to extend above the top of the feeding tube.
- place the cut zucchini or carrots in the feeding tube on end until the feeding tube is packed.

To slice a single narrow item, a carrot for example:

- place the carrot in the feeding funnel opposite the cutting edge of the disc.

The wall of the feeding funnel will then serve to hold the piece vertical.

When using the continuous shredder, be sure to watch the level in the bowl and stop the slicing, shredding or grating before the level of the material being sliced, shredded or grated blocks the discharge tube.

Slicing and shredding tips:

1. Shopping for fruits and vegetables that will fit into the feeding funnel will simplify food preparation.
2. Foods that are to be used together may be sliced together. This can be used to your advantage. For example, green onions and celery are often used together, but feeding the green onions into the feeding funnel alone is difficult. Try slicing the green onions at the same time as the celery by interspersing them in the feeding funnel with the celery.
3. Use the slicing disc to shred lettuce.

4. Do not overcook potatoes that are to be sliced. Also it is recommended that you let them cool first. Potatoes must be cool and firm to obtain the regular-slices.

If the slicer/shredder does not start (even after trying the highest speed) the disc has become blocked by the contents. The power unit should be:

1. Switched to Off position, "O/Off" and unplugged.
2. The continuous shredder should be removed from the power unit, the cover removed and the items causing the blockage removed.

Removing Contents

Before beginning to remove the contents from the bowl, make sure that the power unit has been turned to the Off position, "O/Off." The continuous shredder may be removed from the power unit by turning the shredder clockwise while lifting. With the continuous shredder removed from the power unit, depress the release button and move the arm upward until the bowl can be removed. The contents of the bowl may now be poured into a suitable container or bowl, as desired.

Care and Cleaning of Continuous Shredder

All components of the continuous shredder are dishwasher safe. Do not use scouring cleaners on any of the continuous shredder parts.

The power unit of the kitchen machine should be cleaned with a clean, damp cloth only. Never use coarse or caustic cleaning products to clean this appliance. Never immerse the power unit in water.

Service and Repair

The Bosch Compact Series Kitchen Machines require no special care other than the care and cleaning noted in this manual. If you are having a problem with your machine, before calling our Customer Support group, please refer to the TROUBLESHOOTING section below. If, after reviewing the troubleshooting section and trying its remedies, you are still having a problem, please do contact us by either writing to us at:

Bosch Small Appliances Customer Support

BSH Home Appliances
5551 McFadden Avenue
Huntington Beach, CA 92649

or e-mailing us at:

boschsmallappliances@bshg.com

or calling us at:

1 (866) 44BOSCH
[1 (866) 442-6724]

If you do write to us, please include your e-mail address or a daytime telephone number where you may be reached.

Also, to view our full product line, please visit our Web site:

www.boschsmallappliances.com

TROUBLESHOOTING

Problem	Possible Cause and Remedy
No power	A circuit breaker may have tripped or a fuse has blown in power supply circuit. Reset circuit breaker or replace fuse.
There is power to unit, but nothing happens when rotary switch is turned	The power unit has been overloaded; for example, the blender blade may have become blocked. <ol style="list-style-type: none">1. Turn the power unit to Off and unplug.2. Remove contents of attachment being used and loosen whatever has caused the jam.3. Reinstall attachment and restart.

Sample Recipes

Salsa

Chop the following ingredients in Bosch blender or food processor, on speed 3 or 4:

- 1–4 Dried Arbol Chilies (start with one, add more for increased spiciness)
- 1 clove garlic
- $\frac{1}{8}$ cup water
- 8 ounces tomato sauce (add half)

Next add:

- 1½ teaspoons oregano
- $\frac{3}{4}$ teaspoons cumin
- 1 bunch of fresh cilantro
- 1 pinch of salt second half of tomato sauce

- Blend** all ingredients, on speed 1 or 2, until smooth.

Pesto

- 1 cup loosely packed basil leaves
- $\frac{1}{2}$ cup grated parmesan
- $\frac{1}{3}$ – $\frac{1}{2}$ cup olive oil (enough for desired consistency)
- 1 – 2 cloves garlic
- $\frac{1}{4}$ cup shelled pinenuts

- Lightly toast** pinenuts. Let cool. Place olive oil in Bosch blender or food processor. Turn on power and gradually add parmesan cheese, garlic and basil leaves. Process, on speed 1 or 2, until smooth. Add pinenuts and blend thoroughly.
- Toss** with cooked pasta or spread on bread or crackers.

Fruit Smoothies

- 2 cups fruit juice
- 2 cups frozen fruit
- ½ can frozen juice concentrate
- 1 cup fruit flavored yogurt
- 1–2 cups of ice
- 1 fresh banana

- ❑ **Place** all ingredients in Bosch blender and mix until smooth, on speed 3 or 4. Experiment with different flavor combinations such as tropical, berry or melon.

French Bread

- 4 tablespoons active dry yeast
- 4 cups hot water
- 6 tablespoons sugar
- 2 tablespoons salt
- 1 cup vegetable oil
- 10–12 cups of flour (white or wheat)
- 4 tablespoons gluten

- ❑ **Place** all ingredients in Bosch mixing bowl.
- ❑ **Thoroughly knead** on speed 1 or 2 (8–10 minutes). Let rise in the bowl 10 minutes, then punch down. Punch down 4 or 5 times. Divide into 3–4 regular loaf pans or shape into rounds. Slash tops with sharp knife and brush with egg wash. Let raise until doubled in size. Bake 30 minutes at 400 °F.

Oatmeal Chocolate Chip Cookies

- 2 cups packed brown sugar
- 1 cup shortening
- 2 eggs
- 1 teaspoon vanilla
- 1–¾ cups flour
- 1 teaspoon baking soda
- ½ teaspoon salt
- 3 cups quick-cooking rolled oats
- 1 cup chocolate chips

- ❑ Cream the brown sugar, shortening, eggs and vanilla in the mixing bowl, on speed 1 or 2. Add flour, baking soda and salt. Blend well, stir in rolled oats and chocolate chips by hand. Drop by spoonfuls onto greased baking sheets. Bake in 350 °F oven for 8–10 minutes. Cool before removing from pan. Makes 5 dozen.

Acknowledgement:

The sample recipes listed above were submitted by:

Salsa – Caroline Ciarelli, BSH Home Appliances

Pesto – Kitchen Resource

Fruit Smoothies – Marni Rader, BSH Appliances

French Bread – Kitchen Resource

Oatmeal Chocolate Chip Cookies – Kitchen Resource.

BOSCH Small Appliance Warranty

BSH Home Appliances ("BOSCH") warrants all new small appliances to be free from original defects in design, materials and workmanship for one (1) year after the sale to the original owner.

Within the stated warranty period, BOSCH will repair or replace, at its sole option, any small appliance or parts thereof which prove defective under the conditions of normal use and service at no charge to you. It is the owner's responsibility to return the appliance for repair. Repaired and replacement small appliances and parts shall be the same or as close in appearance as possible to the original for the purposes of this warranty.

Should you require service of your BOSCH small appliance, please contact customer service at 1-866-44-BOSCH. Repair of BOSCH appliances should only be performed by qualified technicians. This warranty is limited to the original consumer purchase and is not transferable. Specifically excluded from this warranty are failures caused by accident, misuse, neglect, abuse, including tampering, use of frequency or voltage other than marked on the product, and use for commercial purposes.

To the extent allowed by law, this warranty sets out your exclusive remedies, whether for negligence or otherwise. BOSCH will not be liable for any consequential or incidental damages, losses or expenses. THIS WARRANTY IS IN LIEU OF ALL OTHER EXPRESSED WARRANTIES. ANY WARRANTY IMPLIED BY LAW, WHETHER FOR MERCHANTABILITY OR FITNESS FOR A PARTICULAR PURPOSE OR OTHERWISE, SHALL BE EFFECTIVE ONLY FOR THE PERIOD THAT THIS EXPRESSED WARRANTY IS EFFECTIVE. BOSCH DOES NOT ASSUME ANY RESPONSIBILITY FOR INCIDENTAL OR CONSEQUENTIAL DAMAGES.

No attempt to alter, modify or amend this warranty shall be effective unless authorized in writing by an officer of BOSCH. Some states do not allow limitations on how long implied warranties last or the exclusion or limitation of incidental or consequential damages, so the foregoing limitations and exclusions may not apply to you. This warranty gives you specific legal rights and you may also have other rights which vary from state to state.

Looking for more information about BOSCH products?

Visit our Web site: www.boschsmallappliances.com

CONSIGNES DE SÉCURITÉ IMPORTANTES

ATTENTION : tous les appareils électriques présentent des risques d'incendie et de choc électrique. Ils peuvent blesser des personnes et les mettre en danger de mort.

Lorsque vous utilisez des appareils électriques, respectez toujours les mesures de sécurité fondamentales, telles que par exemple:

1. Avant d'utiliser le robot culinaire, lisez intégralement toutes les instructions.
2. Pour écarter tout risque de choc électrique, ne plongez jamais l'appareil dans l'eau ou dans d'autres liquides.
3. L'appareil n'est pas un jouet, ne permettez jamais aux enfants de l'utiliser.
4. Surveillez les enfants lorsque vous utilisez l'appareil en leur présence.
5. Ne laissez jamais fonctionner l'appareil sans surveillance.
6. Débranchez la fiche mâle de la prise de courant lorsque vous n'utilisez pas l'appareil, avant de monter ou d'enlever les accessoires, et avant de nettoyer l'appareil.
7. Pour éteindre l'appareil : éteignez-le par son interrupteur puis débranchez la fiche mâle de la prise de courant.
8. Ne touchez pas les pièces en mouvement. Lorsque vous utilisez les fouets, les lames, les disques, les crochets malaxeurs et autres pièces mobiles, éloignez de l'appareil vos mains, vos cheveux, vos vêtements ainsi que les spatules et autres ustensiles de cuisine; vous réduisez ainsi le risque de blesser quelqu'un ou d'endommager l'appareil.
9. N'utilisez pas l'appareil si son cordon d'alimentation ou sa fiche mâle est endommagé, en cas de panne ou si l'appareil est tombé sur le sol ou a été endommagé d'une façon quelconque. Remettez l'appareil au service après-vente agréé le plus proche pour faire contrôler, réparer ou régler ses fonctions électriques ou mécaniques.

10. L'utilisation d'accessoires qui ne sont pas vendus ni recommandés par le fabricant de l'appareil peut engendrer des risques d'incendie, de choc électrique ou de blessures. Elle est par conséquent interdite.
11. N'utilisez pas l'appareil en plein air ou dans des locaux humides.
12. Ne laissez pas pendre le cordon d'alimentation sur des arêtes de la table; ne le mettez pas en contact avec des surfaces chaudes.
13. Faites fonctionner l'appareil uniquement avec ses couvercles fermés.
14. Les lames sont tranchantes. Pour écarter les risques de blessures, manipulez-les toujours avec précaution.
15. N'utilisez ce robot culinaire que pour traiter des quantités normales de nourriture et uniquement à des fins domestiques.

REMARQUE :

VEILLEZ BIEN, ÉGALEMENT, À LIRE LES AVERTISSEMENTS ET MISES EN GARDE QUI PRÉCÈDENT LES INSTRUCTIONS D'EMPLOI PROPRES À CHAQUE ACCESSOIRE.

CONSERVEZ IMPÉRATIVEMENT CES INSTRUCTIONS

Avertissement issu de la proposition 65 :

Ce produit pourrait contenir un produit chimique reconnu par l'État de la Californie comme cancérigène ou ayant des effets nocifs sur la reproduction. Par conséquent, vous pourriez devoir apposer l'étiquette suivante sur l'emballage du produit comme requis par la Californie :

AVERTISSEMENT ISSU DE LA PROPOSITION 65 DE L'ÉTAT DE LA CALIFORNIE :



AVERTISSEMENT

Cancérigène et effets nocifs sur la reproduction - www.P65Warnings.ca.gov

TABLE DES MATIÈRES

CONSIGNES DE SÉCURITÉ IMPORTANTES	28
PRÉSENTATION DE VOTRE ROBOT CULINAIRE	31
Robot Culinaire Bosch, Série Compact	31
Déballage	33
Spécifications électriques	33
Avant la première utilisation	33
Présentation de votre Robot Culinaire Bosch	33
Caractéristiques de la base de l'appareil	34
Démarrage de l'utilisation	36
ACCESSOIRES STANDARD	39
Bol mélangeur avec fouet batteur, fouet malaxeur et crochet à pétrir (MUZ 4KR3)	39
Comment utiliser le crochet à pétrir	40
Utilisation des fouets malaxeur et batteur	42
Conseils d'utilisation du bol mélangeur :	43
Entretien et nettoyage du bol et de ses accessoires	43
Mixeur avec bol en plastique incassable (MUZ4MX2)	44
Entretien et nettoyage du mixeur	47
Broyeur continu (MUZ4DS2)	48
Utilisation conforme du broyeur continu	49
Entretien et nettoyage du broyeur continu	52
Service après-vente et réparations	52
DÉRANGEMENTS ET REMÈDES	53
Quelques recettes	54
Salsa	54
Pesto	54
Yaourt fouetté aux fruits	54
Pain français	54
Biscuits à la farine d'avoine et aux grains de chocolat	55
Garantie Bosch Small Appliance	56

PRÉSENTATION DE VOTRE ROBOT CULINAIRE

Nous vous félicitons d'avoir choisi l'un des Robots Culinaires Bosch dans la Série Compact. Il s'agit d'une série de robots culinaires que nous-mêmes et les professionnels de la restauration, dans le monde entier, considèrent comme figurant parmi les meilleurs robots culinaires domestiques actuellement disponibles.

Au fur et à mesure que vous lirez les présentes instructions, faites particulièrement attention aux **CONSIGNES DE SÉCURITÉ IMPORTANTES**. Des consignes spécifiques aux accessoires, ainsi que des avertissements et des mises en garde figurent à chaque section décrivant le fonctionnement de l'accessoire concerné.

Robot Culinaire Bosch, Série Compact

Ce Robot Culinaire Bosch, Série Compact, est disponible en 4 modèles :

Le MUM 4045 UC

- Composé d'un moteur de 400 watts avec rangement intégré du cordon d'alimentation, bol mélangeur quatre quarts avec couvercle anti-projection (MUZ4KR3), fouets batteurs, malaxeurs et crochet à pétrir, couvercle d'entraînement haute vitesse.

Le MUM 4420 UC

- Composé d'un moteur de 400 watts avec rangement intégré du cordon d'alimentation, bol mélangeur quatre quarts avec couvercle anti-projection (MUZ4KR3), fouets batteur, malaxeur et crochet à pétrir, mixeur (MUZ4MX2), broyeur en continu (MUZ4DS2), avec disques à broyer, trancher et râper, couvercle du mécanisme d'entraînement haute vitesse et porte-accessoire.

Le MUM 4620 UC

- Composé d'un moteur de 450 watts avec enrouleur intégré interne du cordon d'alimentation, bol mélangeur quatre quarts avec couvercle anti-projection (MUZ4KR3), fouets batteur, malaxeur et crochet à pétrir, mixeur (MUZ4MX2), avec couvercle du mécanisme d'entraînement haute vitesse et porte-accessoire.

Le MUM 4635 UC

- Composé d'un moteur de 450 watts avec enrouleur intégré interne du cordon d'alimentation, bol mélangeur quatre quarts avec couvercle anti-projection (MUZ4KR3), fouets batteur, malaxeur et crochet à pétrir, mixeur (MUZ4MX2), broyeur en continu (MUZ4DS2), avec disques à broyer, trancher et râper, couvercle du mécanisme d'entraînement haute vitesse et porte-accessoire.



MUM 4405 UC



MUM 4620 UC



MUM 4420 UC



Figure 1

Déballage

Retirez précautionneusement le moteur de son emballage puis placez-le sur le plan de travail pour qu'il soit prêt à servir. Tandis que vous retirez les accessoires du carton, comparez-les avec la figure 1 pour vérifier que toutes les pièces standard sont présentes.

Spécifications électriques

Vérifiez bien que la tension sur laquelle fonctionnera votre robot culinaire concorde bien avec celle spécifiée sur sa plaque signalétique. Les modèles nord-américains standard offrent une puissance électrique maximale de 400 ou 450 watts, soit la puissance requise par l'accessoire qui en consomme le plus (certains accessoires peuvent consommer moins de puissance).

Avant la première utilisation

Avant d'utiliser les accessoires pour la première fois, nous recommandons des les laver, de les rincer abondamment et de les sécher. Parmi les accessoires fournis avec les appareils décrits dans ce manuel, toutes les pièces, sauf la lame du mixeur et la base motorisée de l'appareil peuvent se laver au lave-vaisselle.

- ❑ Lavez la lame du mixeur / la base de l'appareil sous l'eau du robinet puis séchez-les.
- ❗ Nous recommandons de ne jamais laisser la lame du mixeur / la base de l'appareil immergés dans de l'eau ou de l'eau savonneuse, car le lubrifiant des paliers serait emporté au rinçage.

Présentation de votre Robot Culinaire Bosch

Les Robots Culinaires Bosch de la Série Compact sont dotés d'accessoires différents selon le modèle acheté (voir ci-dessus). Outre les accessoires énoncés aux pages précédentes et disponibles comme accessoires standard, Bosch vous propose aussi de nombreux accessoires en option.

Accessoires en option

Pour profiter au maximum de votre Robot Culinaire Bosch Série Compact, les ingénieurs Bosch ont conçu toute une ligne d'accessoires en option permettant d'élargir le domaine d'application du robot. Outre les accessoires qui accompagnent standard les différents robots culinaires de la Série Compact, vous pouvez commander séparément les accessoires en option. Ces accessoires comprennent un moulin à légumes et un moulin à viande, des moulins à grains, un presse-agrumes, une sorbetière, plus des accessoires additionnels utilisables avec le moulin à viande : accessoire pour biscuits variés, extracteur de pulpe de fruits et accessoire à râper. Voir les ACCESSOIRES SPÉCIAUX situés vers la fin du manuel. Sinon, pour connaître tous nos accessoires actuellement disponibles, rendez-vous sur notre site Web à l'adresse www.boschsmallappliances.com

Les travaux dédiés à accroître l'utilité du Robot Culinaire Bosch Série Compact sont un processus continu. Si un certain type d'accessoire vous intéresse et si vous ne le trouvez pas à la fin du manuel ou sur notre site Web, veuillez soit nous écrire à l'adresse

Bosch Small Appliances Customer Support

BSH Home Appliances
5551 McFadden Avenue
Huntington Beach, CA 92649

soit appelez-nous au
1 (866) 44BOSCH // [1 (866) 442-6724]

Caractéristiques de la base de l'appareil

Moteur

Les robots culinaires MUM 4405 et MUM 4420 comportent un moteur de 400 watts, tandis que les MUM 4620 et MUM 4635 en comportent un de 450 watts. Il s'agit du plus puissant moteur offert sur un robot culinaire compact pour usage domestique.

Toutes les bases d'appareils de la Série Compact MUM présentent les caractéristiques suivantes (reportez-vous à la figure 2) :

Commande électronique de la vitesse

Le sélecteur rotatif six positions est situé sur le côté du bras multifonctions de la base de l'appareil : 4 vitesses plus une position de rangement verrouillée «P» et une position d'arrêt «O/Off», voir la figure 2a.

Trois mécanismes d'entraînement des accessoires

Trois mécanismes :

- Un mécanisme haute vitesse utilisé pour le mixeur et d'autres accessoires demandant que leur tige tourne à grande vitesse.
- Un mécanisme moyenne vitesse utilisé par l'accessoire de broyage continu et d'autres accessoires demandant que leur tige tourne à vitesse moyenne.
- Un mécanisme à couple puissant, pour les fouets, le crochet à pétrir et le moulin à viande, ainsi que pour d'autres accessoires demandant un couple assez élevé.

Chacun de ces mécanismes est contrôlé par la commande électronique 4 vitesses qui fournit 12 vitesses différentes d'arbre et optimise la vitesse du moteur en fonction de la charge développée par les différents accessoires.

Bras multifonction ergonomique

Quatre positions de verrouillage permettent de bloquer les accessoires dans la position d'emploi la plus ergonomique.

Position de rangement «P»

Le sélecteur rotatif six positions, situé sur le côté du bras multifonctions de la base de l'appareil, présente une position «P» servant à «ranger» la base de l'appareil. Il faut ramener les mécanismes d'entraînement en position de rangement avant de changer le bras multifonctions de position. Si les mécanismes d'entraînement ne se trouvent pas dans la bonne position pour faire tourner le bras, amenez le sélecteur rotatif sur la position «P» pour que le moteur les repositionne. Si le moteur ne repositionne pas les mécanismes lorsque

le sélecteur se trouve sur «P», ceci signifie que les mécanismes se trouvent déjà dans la position voulue pour que le bras tourne.

Couvercles des mécanismes d'entraînement

Deux couvercles recouvrent le mécanisme à grande vitesse et celui à moyenne vitesse lorsqu'ils ne servent pas. Voir figure 2c.

Rangement pratique du cordon

Les robots culinaires MUM 4405 et MUM 4420 présentent un rangement pratique du cordon, situé au dos de la base de l'appareil. Ce rangement permet d'enrouler le cordon autour du support. Voir figure 2d.

Les robots culinaires MUM 4620 et MUM 4635 présentent un enrouleur intérieur du cordon. Pour le ranger ou pour réduire la longueur du cordon sur ces deux modèles, il suffit de tirer brièvement sur le cordon et de le laisser rentrer dans la base de l'appareil. Voir figure 2.

Quatre pieds en caoutchouc

Les quatre pieds en caoutchouc permettent au robot culinaire de se maintenir d'aplomb, l'isolent d'une surface dure et l'empêchent donc de communiquer le bruit et les vibrations à cette surface.

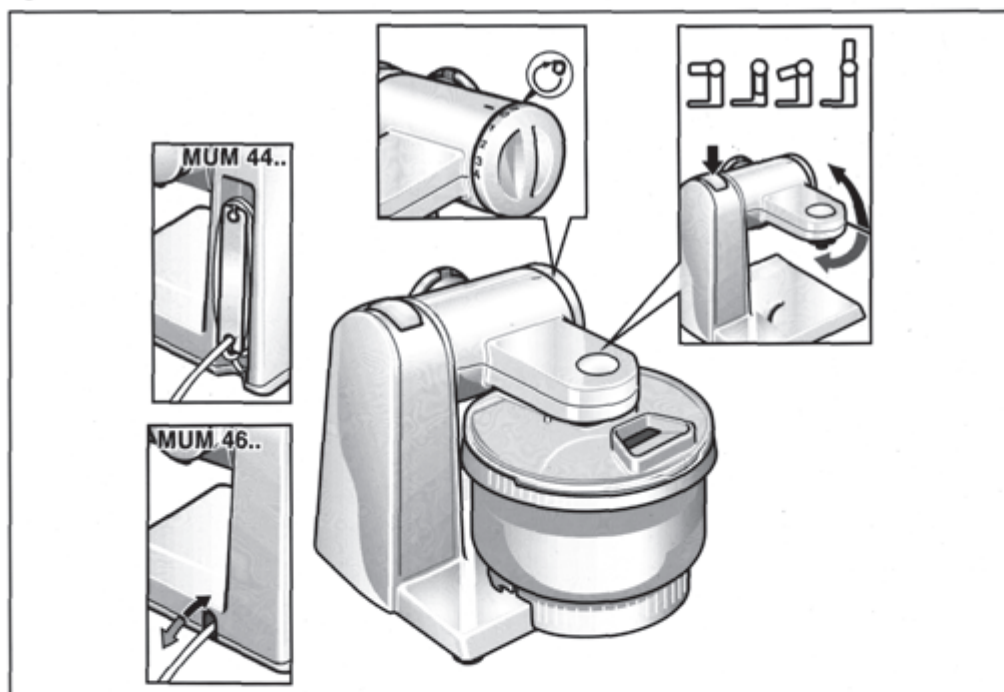


Figure 2

Démarrage de l'utilisation

Nous récapitulons ci-après l'emploi de votre Robot Culinare Bosch Série Compact.

Des instructions spécifiques, relatives à l'emploi de chaque accessoire fourni avec les robots culinaires décrits dans le présent manuel, suivent les instructions résumées. Veuillez lire attentivement les instructions spécifiques avant d'utiliser l'accessoire concerné, en vouant une attention particulière aux MISES EN GARDES IMPORTANTES et aux AVERTISSEMENTS qu'elles contiennent.

1. Placez la base de l'appareil sur une surface de travail appropriée.

Avant d'utiliser le robot avec l'un quelconque de ses accessoires, placez sa base sur une surface de travail appropriée. Il faut que ce soit une surface robuste, lisse et propre. Veillez à ce qu'il n'y ait ni farine ni huile sur cette surface. Une surface lisse et propre offre la meilleure adhérence, elle limite le glissement et/ou le déplacement du robot en marche.

2. Raccordement de la base de l'appareil à l'alimentation électrique.

Tirez ou déroulez une longueur appropriée du cordon électrique. Vérifiez que le sélecteur rotatif de la base se trouve hors tension (sur «O/Off»), puis branchez la fiche mâle dans une prise de courant située à proximité. Amenez le sélecteur rotatif sur la position «P» pour vous assurer que les mécanismes sont dans la bonne position pour faire tourner le bras ou installer l'accessoire.

Si le moteur ne repositionne pas les mécanismes lorsque le sélecteur se trouve sur «P», cela signifie que les mécanismes se trouvaient déjà dans la bonne position pour faire tourner le bras.

AVERTISSEMENT

1. Ne tordez pas le cordon électrique et ne tentez pas de le faire rentrer de force. S'il se coince, extrayez-le sur l'intégralité de sa longueur puis freinez-le pour que l'enrouleur le rentre lentement dans son logement.
2. Si une coupure de courant s'est produite, la base reste sous tension et redémarrera une fois le courant revenu.
3. **Enlever le couvercle du mécanisme.**
Si nécessaire, enlevez le couvercle du mécanisme qui doit servir. Voir figure 2c.
4. **Sélectionner l'accessoire à utiliser.**
Sélectionnez l'accessoire que vous voulez utiliser. Si nécessaire, repositionnez le bras ergonomique multifonction (voir les figures 4a et 4b), puis placez l'accessoire sur la base. Le Robot Culinare Bosch Série Compact utilise ses accessoires dans 6 modes différents. Les différents modes utilisés (le mécanisme et la position du bras) sont reproduits au tableau 1.



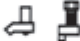



Mode	Position du mécanisme et du bras	Accessoire
1		
2		
3		
4		
5		
6		

Tableau 1

Voir les instructions se rapportant spécifiquement à l'accessoire choisi. Des instructions se trouvent aux pages énoncées ci-après.

Accessoire	Pages
Bol mélangeur avec fouet batteur, fouet malaxeur et crochet à pétrir	39
Mixeur	44
Broyeur continu	48

Tableau 2

5. Utiliser la base avec le sélecteur rotatif.

Une fois l'accessoire en place, vous pouvez contrôler la vitesse de ses parties mobiles à l'aide du sélecteur rotatif situé sur le côté du bras ergonomique multifonctions. Voir la figure 2a. Le sélecteur rotatif comporte six positions :

- «P», position servant à «ranger» le mécanisme avant de changer la position du bras ergonomique multifonctions.
- «O/Off», la position Off.
- Quatre vitesses marquées 1, 2, 3 et 4. La vitesse 1 est la plus lente. La vitesse s'accroît sur chaque position, elle est maximale sur la position 4.

Tous les modèles du Robot Culinaire Bosch Série Compact comprennent une commande électronique de sécurité pour protéger le moteur. Si la sécurité s'active, le moteur s'arrête de tourner. Ramenez le robot en position éteinte et laissez-lui le temps de refroidir. Voir DÉRANGEMENTS ET REMÈDES au dos du présent manuel.

AVERTISSEMENT

Faites fonctionner l'appareil avec les accessoires uniquement sur leurs positions de fonctionnement, comme l'indique le tableau 1. Ne les faites pas marcher sans charge.

6. Ramener la base de l'appareil en position éteinte.

Une fois terminé le travail avec l'accessoire ou une fois que l'accessoire est plein, ramenez la base de l'appareil sur la position «O/Off», ramenez le bouton rotatif sur la position de rangement «P», pour placer les mécanismes sur leurs positions de rangement, puis débranchez la fiche mâle de la prise de courant.

7. Enlever l'accessoire.

Enlevez l'accessoire de la base de l'appareil. Dans certains cas, il sera nécessaire de déplacer le bras pour pouvoir enlever l'accessoire. Respectez les instructions applicables à l'accessoire en cours d'utilisation.

8. Poursuite de l'utilisation.

Si l'accessoire est du type à remplir par charge et si vous voulez continuer de l'utiliser, videz le bol de l'accessoire conformément à ses instructions puis remettez l'accessoire en place. Répétez les opérations 5 à 7 autant de fois que nécessaire jusqu'à la fin du travail.

9. Travail terminé ; enlevez l'accessoire.

Si l'accessoire est du type se remplissant continuellement ou à remplir par charge et une fois terminés les travaux voulus avec cet accessoire, détachez-le de la base de l'appareil. Dans certains cas, il sera nécessaire de déplacer le bras pour permettre l'enlèvement de l'accessoire. Reportez-vous aux instructions visant l'accessoire utilisé.

10. Placez le contenu (accessoire alimenté par charge).

Si l'accessoire est du type alimenté par charge, démontez l'accessoire en respectant ses instructions spécifiques puis placez le contenu dans un récipient approprié.

11. Entretien et nettoyage

Une fois les travaux terminés avec le Robot Culinare Bosch, détachez et nettoyez ses accessoires. Si vous voulez utiliser un autre accessoires, retournez svp au point 4 ci-dessus.

Base de l'appareil

La base de l'appareil se trouvant sur «O/Off» et fiche mâle débranchée de la prise de courant, nettoyez la base uniquement avec un chiffon propre et humide. Essuyez ensuite le couvercle du moteur puis réinstallez-le sur la base de l'appareil. N'utilisez jamais de produits récurants ou décapants pour nettoyer la base de l'appareil. Ne plongez jamais la base de l'appareil dans l'eau.

Vous pouvez laisser la base de l'appareil sur le plan de travail ou la ranger en vue d'une nouvelle utilisation. Dans les deux cas, veillez toujours bien à remettre les couvercles en place sur les mécanismes après vous en être servis. Ceci empêchera la poussière et/ou la farine de s'accumuler dans l'entraînement.

Enroulez le cordon d'alimentation électrique autour de son rangement ou tirez brièvement sur le cordon pour le faire rentrer dans son logement, puis rangez la base à l'endroit voulu.

Accessoires

Démontez et lavez le(s) accessoire(s) qui ont servi, en respectant leurs instructions spécifiques, puis séchez-les et rangez-les en vue d'une utilisation future.

ACCESSOIRES STANDARD

Voici les instructions spécifiques applicables aux accessoires standard fournis avec les Robots Culinaires Bosch de la Série Compact couverts par le présent manuel.

Bol mélangeur avec fouet batteur, fouet malaxeur et crochet à pétrir (MUZ 4KR3)

AVERTISSEMENT

1. Vous risquez de vous blesser avec les accessoires en rotation lorsque vous utilisez le bol mélangeur équipé du fouet batteur, fouet malaxeur ou du crochet à pétrir.
2. Évitez de toucher les pièces mobiles. Pendant le travail, éloignez vos mains, cheveux et vêtements ainsi que les spatules, racloirs de bol et autres ustensiles, du crochet à pétrir et des fouets, pour prévenir toute blessure et/ou tout endommagement de la base de l'appareil ou de ses accessoires.
3. Travaillez toujours avec le couvercle du bol en place.
4. Ne changez pas les accessoires tant que le moteur de la base ne s'est pas immobilisé ; lorsque vous mettez la base hors tension, le moteur continue de tourner brièvement.

Tous les modèles de Robots Culinaires Bosch de la Série Compact sont fournis équipés d'un bol mélangeur contenant quatre quarts, avec des fouets batteur malaxeur et avec un crochet à pétrir. Des bols mélangeurs supplémentaires sont disponibles comme accessoires porteurs du numéro **MUZ4KR3**. Référez-vous à la section **ACCESSOIRES EN OPTION** à la fin du présent manuel.

Le bol mélangeur avec fouet batteur, fouet malaxeur et crochet à pétrir se compose des éléments suivants (voir figure 3 ci-dessous) :

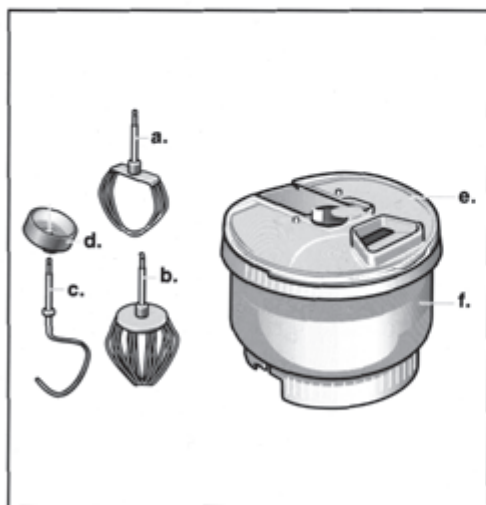


Figure 3

- 3a.** Fouet malaxeur
- 3b.** Fouet batteur
- 3c.** Crochet à pétrir
- 3d.** Déflecteur de pâte
- 3e.** Couvercle anti-projections
- 3f.** Bol mélangeur

Comment utiliser le crochet à pétrir

Le crochet à pétrir et le bol mélangeur servent à pétrir des pâtes au levain, et à mélanger les pâtes lourdes pour biscuits et pâtisseries, c.-à-d. des pâtes auxquelles vous ajoutez des morceaux de noix, des grains de chocolat, des fruits secs, du beurre dur ou de la matière grasse (shortening), du sucre brun dur, etc.

Utilisation du bol mélangeur avec le crochet à pétrir

Avant de fixer tel ou tel accessoire, assurez-vous que la base de l'appareil se trouve sur une surface de travail lisse, propre et adaptée, et que le sélecteur rotatif se trouve sur la position «O/Off».

- 1.** Avant d'utiliser le bol mixeur et le crochet à pétrir pour la première fois, nous recommandons de laver le bol mélangeur, le couvercle anti-projections et le crochet à pétrir. Tous les composants du bol mélangeur et le crochet à pétrir peuvent se laver au lave-vaisselle. Vous pouvez sinon les laver dans de l'eau savonneuse chaude. Après le lavage, rincez et séchez-les bien avant de vous en servir.

2. Le crochet à pétrir sert en mode 1, voir le tableau 1. Pour placer le bol mélangeur et insérer le crochet à pétrir, il faudra déplacer le bras comme le montre la figure 4 :

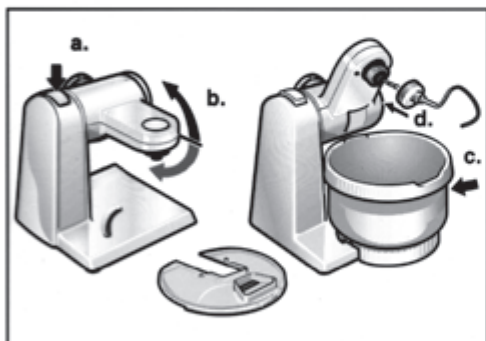


Figure 4

- 4a. Appuyez sur le bouton de déverrouillage
4b. Soulevez le bras
4c. Placez le bol mélangeur
4d. Insérez le crochet à pétrir avec son déflecteur

3. Une fois le crochet à pétrir en place, vérifiez qu'il est entièrement enfoncé puis appuyez sur le bouton de déverrouillage pour abaisser le bras.

- i** Si vous n'avez pas garé le mécanisme d'entraînement lors de la dernière utilisation, il pourra être nécessaire de brancher la fiche mâle dans la prise de courant puis de tourner le sélecteur sur la position de rangement «P», pour amener le mécanisme sur une position permettant de descendre le crochet à pétrir dans le bol.

Placez le couvercle anti-projection sur le bol. Ce couvercle est équipé d'un entonnoir intégré. Vous pouvez retirer le couvercle pour ajouter des ingrédients, mais veillez à ce qu'il soit en place pendant que la base de l'appareil fonctionne. Ce couvercle sert à empêcher la poussière de farine de s'échapper au début du malaxage et du pétrissage, il empêche aussi tout contact accidentel avec le crochet à pétrir.

Mise en service avec le crochet à pétrir

Assurez-vous que la base de l'appareil se trouve sur une surface de travail lisse, propre et appropriée. Le sélecteur rotatif doit se trouver sur la position «O/Off». Sortez la longueur voulue du cordon hors de l'enrouleur / du rangement, puis branchez la fiche mâle dans une prise de courant appropriée. Le bol mélangeur et le crochet à pétrir sont désormais prêts à servir. Le chapitre des recettes en contient quelques unes employant le crochet à pétrir. Voir à la fin du manuel.

Utilisation des fouets malaxeur et batteur

Tous les Robots culinaires Bosch de la Série Compact sont fournis équipés, outre d'un crochet à pétrir, de fouets malaxeur et batteur. Voir figure 3.

Le fouet batteur sert à battre les pâtes très légères comme la crème, les blancs d'œufs, les sauces et pâtes à pâtisserie légères, suffisamment liquides pour couler.

Le fouet malaxeur sert à malaxer les pâtes à cake et les pâtes légères pour biscuits. Veillez toujours à utiliser le crochet pour pétrir les pâtes lourdes à biscuits, dont par exemple les biscuits à base de farine d'avoine et de grains de chocolat.

Utilisation du bol mélangeur avec le fouet batteur ou le fouet malaxeur

Avant de fixer tel ou tel accessoire, assurez-vous que la base de l'appareil se trouve sur une surface de travail lisse, propre et adaptée, et que son sélecteur rotatif trouve sur la position «O/Off».

1. Avant d'utiliser pour la première fois le bol mixeur et le fouet batteur ou le fouet malaxeur, nous recommandons de laver le bol mélangeur, le couvercle anti-projections et le fouet. Tous les composants peuvent se laver au lave-vaisselle. Vous pouvez sinon les laver dans de l'eau savonneuse chaude. Après le lavage, rincez et séchez-les bien avant de vous en servir.

2. Avant d'utiliser le fouet malaxeur ou batteur en mode 1, voir le tableau 1 et la figure 4. Procédez selon la même chronologie que celle indiquée à la figure 4, mais insérez en 4d le fouet voulu à la place du crochet à pétrir et de son déflecteur.
3. Une fois le fouet en place, vérifiez qu'il est entièrement enfoncé puis appuyez sur le bouton de déverrouillage pour abaisser le bras.

i Si vous n'avez pas rangé le mécanisme d'entraînement en position «P» lors de la dernière utilisation, il pourra être nécessaire de brancher la fiche mâle dans la prise de courant puis de tourner le sélecteur sur la position de rangement «P», pour amener le mécanisme sur une position permettant de descendre le fouet dans le bol.

Placez le couvercle anti-projection sur le bol. Ce couvercle est équipé d'un entonnoir intégré. Vous pouvez retirer le couvercle pour ajouter des ingrédients, mais veillez à ce qu'il soit en place pendant que la base de l'appareil fonctionne. Ce couvercle sert à empêcher la poussière de farine de s'échapper au début du malaxage, il empêche aussi tout contact accidentel avec le fouet en mouvement.

Mise en service avec fouet batteur ou malaxeur

Assurez-vous que la base de l'appareil se trouve sur une surface de travail lisse, propre et appropriée. Le sélecteur rotatif doit se trouver sur la position «O/Off». Sortez la longueur voulue du cordon hors de l'enrouleur / du rangement, puis branchez la fiche mâle dans une prise de courant appropriée. Le bol mélangeur et le fouet sont désormais prêts à servir. Le chapitre des recettes en contient quelques unes employant les fouets. Voir à la fin du manuel.

Conseils d'utilisation du bol mélangeur :

1. Lorsque vous utilisez le bol mélangeur pour pétrir ou mélanger les ingrédients d'une recette conçue pour la préparation manuelle, le Robot Culinare Bosch Série Compact vous permet de verser tous les ingrédients en même temps dans le bol. Lorsque vous le faites, versez d'abord les ingrédients liquides en premier. Ceci permet d'obtenir un mélange parfaitement homogène.
2. Lorsque vous ajoutez des ingrédients à un mélange :
 - a. Ramenez le sélecteur rotatif sur une vitesse moins élevée.
 - b. Ajoutez les ingrédients par l'entonnoir.

Retirer le contenu du bol

Avant de retirer le contenu du bol, vérifiez que vous avez bien ramené la base de l'appareil sur la position «P» pour positionner correctement le mécanisme, puis sur la position «O/Off». Enlevez le couvercle anti-projections. Une fois le couvercle enlevé, vous pouvez appuyer sur le bouton de déverrouillage puis soulever le bras ergonomique, voir les figures 4a et 4b. Pour retirer le crochet à pétrir et le fouet, tirez-les droit et constamment vers l'extérieur.

Soulevez le bol mélangeur pour le sortir de la base de l'appareil.

Maintenant, vous pouvez utiliser le contenu du bol comme vous le souhaitez.

Entretien et nettoyage du bol et de ses accessoires

Le bol mélangeur, les fouets, le crochet à pétrir, son déflecteur et le couvercle anti-projections peuvent se laver au lave-vaisselle.

Pour faciliter le nettoyage :

Nettoyez la base du robot culinaire uniquement avec un chiffon propre et humide. N'utilisez jamais de produits récurants ou décapants pour nettoyer l'appareil. Ne plongez jamais la base de l'appareil dans l'eau.

Mixeur avec bol en plastique incassable (MUZ4MX2)

⚠ AVERTISSEMENT

1. Lorsque vous utilisez le mixeur, vous risquez de vous blesser avec ses lames aiguisées.
2. Eloignez les mains et tout ustensile du bol du mixeur tandis qu'il est fixé sur la base de l'appareil.
3. Les lames sont très aiguisées, manipulez-les avec précaution.
4. Pour éviter de vous blesser, ne placez jamais l'unité de base à lame sur la base de l'appareil sans avoir fixé correctement le bol mixeur.
5. Faites toujours fonctionner le mixeur avec son couvercle en place. Maintenez toujours le couvercle en place pendant le fonctionnement, pour l'empêcher de se détacher.
6. L'utilisation d'accessoires, y compris de bocaux, non recommandés par le fabricant, vous expose à un risque de blessures.
7. Lorsque vous passez au mixeur des liquides très chauds ou qui tendent à mousser, ne traitez jamais plus de 18 onces liquides (0,5 litres) de préparation à la fois.

Les Robots Culinaires MUM 4635 UC, MUM 4620 UC et MUM 4420 UC sont fournis équipés de l'accessoire mixeur MUZ4MX2. Composition de l'accessoire mixeur : voir figure 5 :

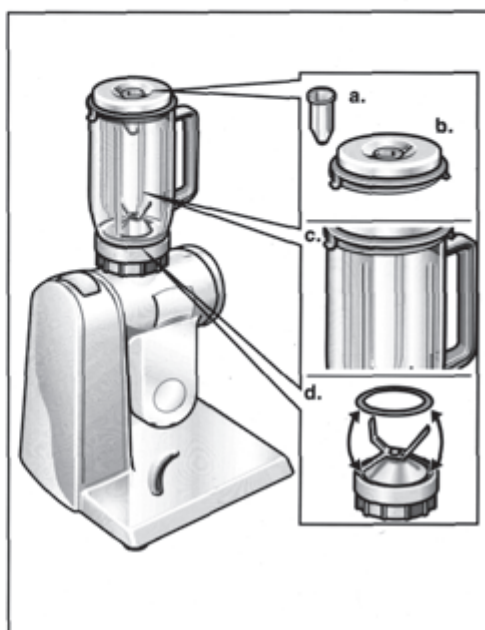


Figure 5

- 5a. Obturation du couvercle / entonnoir
- 5b. Couvercle
- 5c. Bol mixeur
- 5d. Ensemble lame / base avec joint et anneau de verrouillage

1. Avant d'utiliser le mixeur pour la première fois, nous recommandons de laver le couvercle du bol mixeur, l'obturation/l'entonnoir et l'unité de base à lame, le joint et l'anneau de verrouillage. Tous les composants sauf l'unité de base à lame peuvent se laver au lave-vaisselle. Avant de les y laver, retirez l'unité de base à lame.

Commencez par défaire l'anneau de verrouillage comme le montrent les figures 6a et 6b. Retournez ensuite le mixeur pour que la base regarde vers le haut, comme sur la figure 7. Pour retirer l'unité à lame, tournez-la en sens inverse des aiguilles d'une montre jusqu'à la butée puis soulevez. Voir les figures 7c et 7e.

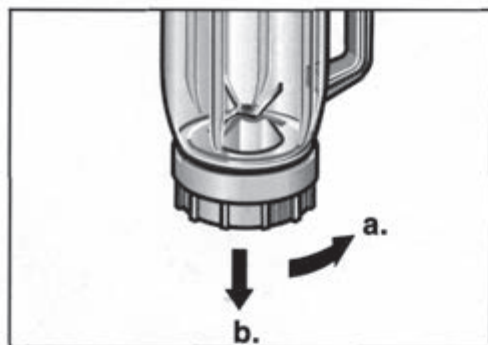


Figure 6

PRUDENCE

La lame de cette unité de base est très aiguisée. Manipulez-la avec précaution.

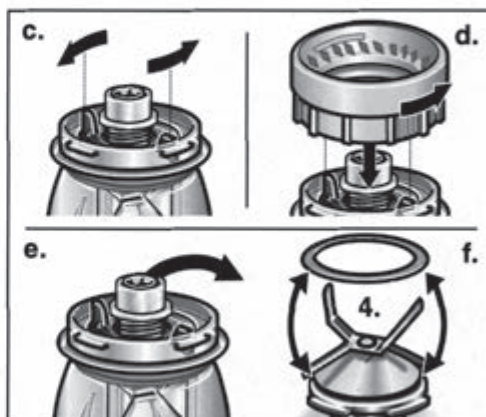


Figure 7

Si l'unité à lame est trop serrée pour la dévisser à la main, servez-vous de l'anneau de verrouillage pour la desserrer (voir figure 7d). Après avoir desserré, tournez l'unité à lame en sens inverse des aiguilles d'une montre jusqu'à la butée puis soulevez-la. Vous pouvez retirer le joint, comme le montre la figure 7f, pour le nettoyer.

Lavez l'unité de base à lame sous l'eau du robinet. Ne placez pas l'unité de base à lame dans le lave-vaisselle et ne l'immergez pas dans l'eau. Ceci enlèverait en effet le lubrifiant. Après le nettoyage, rincez soigneusement et séchez avant la réutilisation suivante.

2. Pour monter ou remonter l'unité de base à lame dans le mixeur, opérez dans l'ordre chronologique inverse décrit précédemment pour la retirer.
3. Le mixeur sert en mode 3 (voir le tableau 1). Pour placer le mixeur sur la base de l'appareil, vous devez faire tourner le bras jusqu'en position basse. Appuyez sur le bouton de déverrouillage (voir 4a), puis abaissez-le bras jusqu'à ce qu'il soit en position verticale et que le mécanisme à grande vitesse regarde droit vers le haut. Retirez, si vous ne l'avez pas déjà fait, le couvercle du mécanisme d'entraînement à grande vitesse et placez le mixeur sur ce mécanisme. Tournez ensuite le mixeur en sens inverse des aiguilles d'une montre pour le verrouiller en place.

Mise en service du mixeur

Assurez-vous que le sélecteur rotatif de la base de l'appareil se trouve sur la position éteinte «O/Off». Tirez ou déroulez une longueur appropriée du cordon électrique puis branchez la fiche mâle dans une prise de courant appropriée. Le mixeur est maintenant prêt à fonctionner.

Normalement, lorsque vous utilisez le mixeur et avant d'enclencher la base l'appareil, versez dedans si possible la quantité intégrale d'ingrédients à mixer. Le couvercle et son obturation doivent toujours être en place une fois le bol du mixeur rempli et avant d'amener la base de l'appareil sur «On». Si vous devez rajouter d'autres ingrédients, faites-le par l'orifice ménagé dans le couvercle (voir figure 8). Si vous devez rajouter des

ingrédients solides ou en grains, retirez l'entonnoir d'obturation comme le montre la figure 8a. Pour rajouter des ingrédients liquides, laissez l'entonnoir d'obturation en place et versez ces ingrédients par l'entonnoir, voir figure 8b.

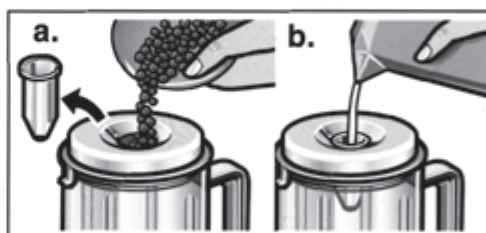


Figure 8

Exemple d'utilisation du mixeur

Nous indiquons ci-dessous un exemple de recette pour vous familiariser avec l'emploi du mixeur.

Recette de mayonnaise

- 1 œuf entier
- $\frac{1}{3}$ d'une tasse d'huile végétale
- 2 c. à soupe de jus de citron ou de vinaigre clair
- 1 c. à café de sucre
- $\frac{1}{2}$ c. à café de moutarde sèche
- $\frac{1}{2}$ c. à café de sel
- $\frac{2}{3}$ d'une tasse d'huile végétale

Mélangez, pendant quelques secondes à la vitesse 1, tous les ingrédients sauf les $\frac{2}{3}$ de tasse d'huile indiqués en fin de liste des ingrédients. Ensuite, versez rapidement un filet d'huile uniformément épais par l'orifice du couvercle, comme le montre la figure 8b. Faites marcher le mixeur pendant env. 10 – 20 secondes aux vitesses 1 ou 4 jusqu'à ce que le mélange soit épais et lisse. Cette mayonnaise remplit $1 \frac{1}{4}$ de tasse.

Conseils :

Utilisez le mixeur en conservant toujours à l'esprit quels ingrédients et quels résultats sont requis et/ou souhaités. La vitesse de marche du mixeur et la durée de fonctionnement pour une préparation donnée dépendront du degré de finesse souhaité ou de la quantité à mélanger.

Lorsque vous utilisez le mixeur avec des ingrédients secs tels que des noix et du pain, vous obtiendrez les meilleurs résultats en versant env. ½ tasse de l'ingrédient concerné dans le mixeur. Si le mixeur ne démarre pas (même à la vitesse la plus élevée), cela signifie que le contenu bloque la lame. Dans ce cas,

1. Mettez la base de l'appareil hors tension en la ramenant sur «O/Off», puis débranchez sa fiche mâle de la prise de courant.
2. Retirez le mélange et décoinchez les ingrédients situés au bas du bol.

Enlèvement du contenu

Avant de vider le contenu du mixeur, assurez-vous que la base de l'appareil a été ramenée sur la position «O/Off». Pour retirer le mixeur de la base, tournez-le dans le sens des aiguilles d'une montre tout en soulevant. Une fois le mixeur détaché de la base, vous pouvez verser son contenu comme vous le souhaitez dans un récipient ou un bol approprié. Remontez le couvercle sur le mécanisme d'entraînement haute vitesse.

Entretien et nettoyage du mixeur

Toutes les pièces du mixeur, sauf l'unité de base à lame, peuvent se laver au lave-vaisselle. Nous recommandons de laver l'unité de base à lame seulement sous l'eau du robinet et pas au lave-vaisselle. Le savon et le détergent tendent à emporter le lubrifiant du roulement dont est équipée l'unité de base à lame. N'utilisez de produit récurant sur une aucune pièce ou partie du mixeur.

Nettoyez la base de l'appareil uniquement avec un chiffon propre et humide. N'utilisez jamais de produit récurant ou décapant pour nettoyer cet appareil. N'immergez jamais sa base dans l'eau.

Broyeur continu (MUZ4DS2)

ATTENTION

1. Les lames équipant les disques sont très aiguisées. Manipulez-les avec précaution. Ne saisissez pas les disques par leurs lames.
 2. Lorsque vous faites fonctionner le broyeur continu, éloignez les mains des orifices d'introduction et de sortie. Travaillez uniquement avec le fouloir.
 3. Assemblez complètement le broyeur continu avant de la placer sur la base de l'appareil.
 4. Faites toujours marcher le broyeur continu entièrement assemblé et avec son couvercle en place.
- Les Robots Culinaires Bosch Série Compact, MUM 4635 UC et MUM 4420 UC, comprennent le broyeur continu comme accessoire (MUZ 4 DS2). Les pièces composant cet accessoire sont les suivantes (voir figure 9) :

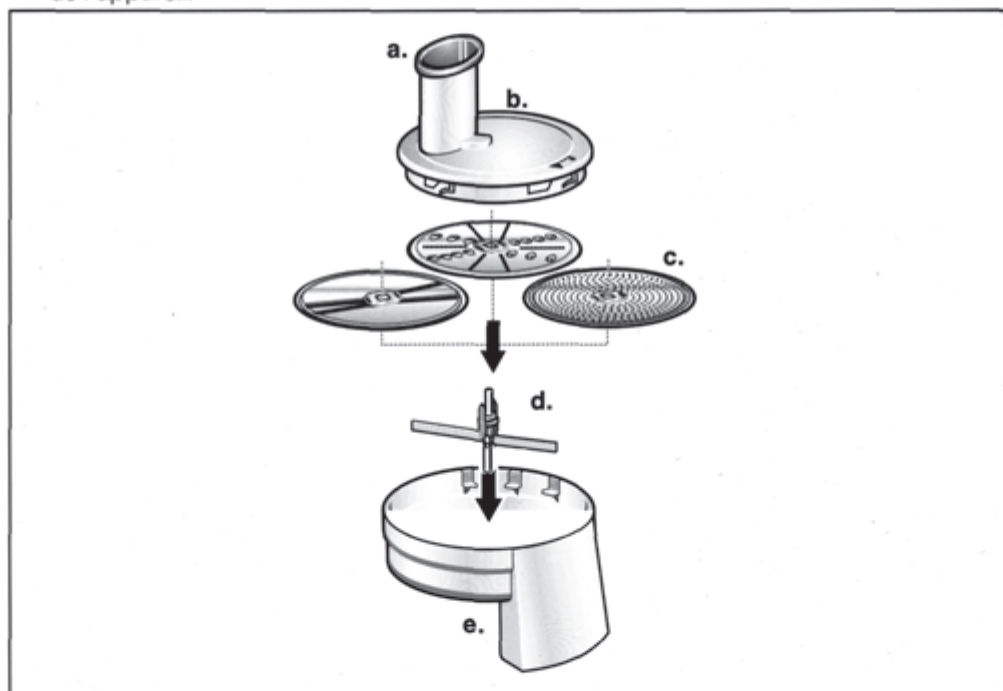


Figure 9

- a. Fouloir obturant le couvercle
- b. Couvercle
- c. 3 disques à trancher / broyer :
 - Disque à trancher réversible

- Disque à broyer réversible
 - Disque à râper
- d. Support de disque/catapulte
 - e. Boîtier

Utilisation conforme du broyeur continu

Le broyeur continu est un accessoire conçu pour trancher, broyer et/ou râper des légumes, ainsi que pour trancher/broyer du fromage mou, de la charcuterie et de la viande, ou pour râper des légumes et fromages durs.

Utilisation du disque trancheur/broyeur

Avant d'utiliser cet accessoire ou tout autre, vérifiez que la base de l'appareil se trouve sur une surface lisse, propre et adaptée au travail, qu'elle se trouve sur la position «O/Off» et que vous avez retiré le couvercle du mécanisme d'entraînement.

1. Avant d'utiliser le broyeur continu pour la première fois, nous recommandons de laver le fouloir obturant le couvercle, le couvercle, les disques, le support de disque/catapulte. Toutes les pièces du broyeur continu peuvent se laver au lave-vaisselle. Après le lavage, rincez-les bien puis séchez-les avant de les utiliser.

AVERTISSEMENT

Les lames des disques sont très aiguisées. Manipulez-les avec précaution

Le broyeur continu s'emploie en mode 2 (voir le tableau 1). Pour placer le broyeur continu sur la base de l'appareil, amenez le bras jusqu'en position horizontale. Appuyez sur le bouton de déverrouillage (voir 4a), puis déplacez-le jusqu'à ce qu'il se trouve à l'horizontale. Une fois ceci fait, retirez le couvercle du mécanisme d'entraînement à vitesse moyenne, comme le montre la figure 10.



Figure 10

Assemblez le broyeur continu selon la chronologie illustrée par la figure 9 :

1. Insérez le support de disque/la catapulte dans le boîtier.
2. Choisissez le disque que vous voulez utiliser, puis placez-le sur le support de disque en veillant à ce que les lames qui doivent servir soient bien tournées vers le haut.

3. Placez le couvercle sur le boîtier puis tournez-le en sens inverse des aiguilles d'une montre jusqu'à ce que le couvercle encrante en place et que les flèches soient alignées (voir figure 11).
4. Le broyeur continu est maintenant assemblé.
5. Placez le bol sur la base de l'appareil. Appuyez sur le bouton de déverrouillage et soulevez le bras pour placer le bol en position, puis abaissez le bras jusqu'en position horizontale.
6. Placez le broyeur continu sur le mécanisme d'entraînement à vitesse moyenne, avec le bras en position horizontale, puis tournez-le en sens inverse des aiguilles d'une montre jusqu'à ce qu'il se verrouille en position.

Mise en service du broyeur continu avec disque à trancher / à broyer

Assurez-vous que la base de l'appareil repose sur une surface lisse, propre et adaptée au travail, et qu'elle se trouve en position éteinte «O/Off». Tirez ou déroulez une longueur appropriée du cordon électrique puis branchez la fiche mâle dans une prise de courant appropriée. Le broyeur continu est maintenant prêt à fonctionner.

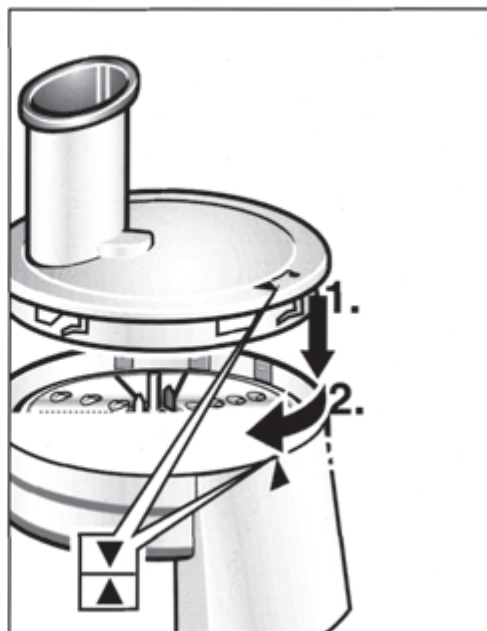


Figure 11

Dans l'entonnoir, introduisez les ingrédients à trancher, broyer ou râper, et veillez, pendant la marche de l'appareil, à bien utiliser le fouloir pour pousser ces ingrédients en direction du disque.

Pour trancher et râper correctement, il faut apprendre à faire avancer les ingrédients de façon adéquate dans l'entonnoir :

1. Pour obtenir des tranches longues et des morceaux broyés en long, placez les ingrédients couchés dans l'entonnoir.
2. Pour obtenir des tranches courtes ou circulaires, placez les ingrédients debout dans l'entonnoir. Si par ex. vous voulez obtenir des tranches rondes de courgettes ou de carottes :
 - Coupez ces légumes en segment d'une longueur non supérieure à celle de l'entonnoir.
 - Placez les courgettes ou carottes coupées debout dans l'entonnoir, jusqu'à le remplir.

Pour trancher un ingrédient unique et mince, une carotte par exemple :

- Placez-la dans l'entonnoir, du côté opposé au bord coupant du disque.

La paroi de l'entonnoir servira alors à maintenir la carotte à la verticale.

Lorsque vous utilisez le broyeur continu, surveillez constamment le remplissage du bol et cessez de trancher, broyer ou râper l'ingrédient avant qu'il n'obstrue l'orifice de sortie.

Conseils pour trancher et broyer :

1. Achetez des fruits et légumes qui rentrent dans l'entonnoir sans devoir les partager. Cela vous simplifiera leur préparation.
2. Vous pouvez trancher ensemble les ingrédients qui seront préparés ensemble. Cela peut présenter l'avantage suivant : les oignons verts et le céleri composent souvent ensemble une recette, mais trancher les oignons seuls en les versant dans l'entonnoir est une opération difficile. Essayez de trancher les oignons verts en même temps que le céleri en les mélangeant avec ce dernier dans l'entonnoir.
3. Pour broyer la laitue, utilisez le disque à trancher.
4. Ne faites pas trop cuire les pommes de terre à trancher. Nous recommandons également de les laisser refroidir auparavant. Pour obtenir des tranches régulières, il faut que les pommes de terre soient froides et fermes.

Si le disque trancheur / broyeur ne démarre pas (même après avoir essayé la vitesse la plus élevée), cela signifie que les ingrédients bloquent le disque. Dans ce cas :

1. Ramenez la base de l'appareil sur la position «O/Off» puis débranchez la fiche mâle de la prise de courant.
2. Détachez le broyeur continu de la base de l'appareil, retirez le couvercle puis enlevez les ingrédients qui provoquent le blocage.

Enlèvement du contenu

Avant de retirer le contenu du bol, assurez-vous que la base de l'appareil est bien revenue sur la position «O/Off». Tournez le broyeur continu dans le sens des aiguilles d'une montre et soulevez-le pour le détacher de la base. Une fois le broyeur continu détaché de la base, appuyez sur le bouton de déverrouillage puis remontez le bras jusqu'à pouvoir retirer le bol. Maintenant, vous pouvez verser, comme vous le souhaitez, le contenu du bol dans un récipient ou bol approprié.

Entretien et nettoyage du broyeur continu

Toutes les pièces du broyeur continu peuvent se laver au lave-vaisselle. N'utilisez aucun produit récurant sur les pièces ou parties du broyeur continu.

Nettoyez la base de l'appareil uniquement avec un chiffon propre et humide. N'utilisez jamais de produit récurant ou décapant pour nettoyer cet appareil. N'immergez jamais sa base dans l'eau.

Service après-vente et réparations

Les Robots Culinaires Bosch Série Compact ne requièrent aucune procédure d'entretien et de nettoyage particulière autre que celles décrites dans le présent manuel. Si le robot présente un dérangement et avant d'appeler le service après-vente, veuillez vous référer au tableau **DÉRANGEMENTS ET REMÈDES** ci-après. Si le problème persiste après en avoir examiné le contenu et tenté d'appliquer les remèdes indiqués, veuillez nous contacter soit en nous écrivant à l'adresse suivante :

Bosch Small Appliances Customer Support

BSH Home Appliances
5551 McFadden Avenue
Huntington Beach, CA 92649

soit en nous envoyant un e-mail
à l'adresse :

boschsmallappliances@bshg.com

soit en nous appelant au

1 (866) 44BOSCH
[1 (866) 442-6724]

Si vous nous écrivez, veuillez mentionner votre adresse électronique ou un numéro de téléphone ou nous pourrions vous joindre dans la journée.

Par ailleurs, si vous voulez découvrir l'ensemble de notre ligne de produits, rendez-vous sur notre site Web :

www.boschsmallappliances.com

DÉRANGEMENTS ET REMÈDES

Dérangement	Cause possible et remède
Pas de courant	Un disjoncteur a disjoncté ou un fusible a grillé dans le secteur électrique de la maison. Réarmez le disjoncteur ou changez le fusible.
Le courant arrive à la base de l'appareil, mais ce dernier ne démarre pas lorsque vous tournez le sélecteur rotatif.	La base de l'appareil a subi une surcharge ; la lame du mixeur par ex. peut s'être bloquée. <ol style="list-style-type: none">1. Mettez la base de l'appareil hors tension puis débranchez la fiche mâle de la prise de courant.2. Videz le contenu de l'accessoire dont vous étiez en train de vous servir, et décoincez l'ingrédient ou l'objet responsable du blocage.3. Remettez l'accessoire en place puis refaites démarrer l'appareil.

Quelques recettes

Salsa

Hachez les ingrédients suivants dans le mixeur ou le broyeur continu, réglés sur la vitesse 3 ou 4 :

- 1–4 piments Arabol secs
(hachez-en d'abord un, ajoutez les autres si ce n'est pas assez épicé)
- 1 gousse d'ail
- 1/8 de tasse d'eau
- 8 onces de sauce tomate (versez-en la moitié)

Ensuite, ajoutez :

- 1 1/2 c. à café d'origan
- 3/4 de c. à café de cumin
- 1 Bouquet de coriandre frais
- 1 Pincée de sel
- L'autre moitié de la sauce tomate

- ❑ Mixez tous les ingrédients, appareil réglé sur la vitesse 1 ou 2, jusqu'à obtenir un mélange homogène.

Pesto

- 1 tasse de feuilles de basilic emballées non serrées
- 1/2 tasse de parmesan râpé
- 1/3–1/2 tasse d'huile d'olive (la quantité suffisante pour obtenir la consistance voulue)
- 1 – 2 gousses d'ail
- 1/4 de tasse de pignons sans leur enveloppe

- ❑ Passez les pignons légèrement à la poêle. Laissez-les refroidir. Versez l'huile d'olive dans le mixeur ou le broyeur continu Bosch. Enclenchez l'appareil puis ajoutez progressivement le parmesan, l'ail et les feuilles de basilic. Laissez tourner l'appareil à la vitesse 1 ou 2 jusqu'à obtention d'un mélange homogène. Ajoutez les pignons puis mixez jusqu'à obtention d'un mélange homogène.
- ❑ Versez le pesto sur des pâtes cuites ou tartinez-le sur du pain ou des crackers.

Yaourt fouetté aux fruits

- 2 tasses de jus de fruit
- 2 tasses de fruits congelés
- 1/2 boîte de concentré de jus de fruit
- 1 tasse de yaourt parfumé aux fruits
- 1–2 tasses de glace
- 1 banane fraîche

- ❑ **Placez** tous les ingrédients dans le mixeur Bosch puis mixez à la vitesse 3–4 jusqu'à ce que le mélange soit homogène. Expérimentez avec différentes combinaisons de saveurs telles que tropicale, baies ou melon.

Pain français

- 4 c. à soupe de levure active sèche
- 4 tasses d'eau chaude
- 6 c. à soupe de sucre
- 2 c. à soupe de sel
- 1 tasse d'huile végétale
- 10–12 tasses de farine (blanche ou de froment)
- 4 c. à soupe de gluten

- ❑ **Placez** tous les ingrédients dans le bol mélangeur Bosch.
- ❑ **Pétrissez** à la vitesse 1 ou 2 (8 à 10 minutes) jusqu'à obtention d'un mélange **homogène**. Laissez lever la pâte dans le bol pendant 10 minutes puis enfoncez-la 4 à 5 fois. Divisez-la ensuite en 3 ou 4 morceaux pour moule à pains ou faites-en des galettes rondes. Incisez le dessus avec un couteau bien aiguisé puis enduisez-le au pinceau de dorure à l'œuf. Laissez lever la pâte jusqu'à ce qu'elle double de volume. Faites cuire 30 minutes à 400 °F.
- ❑ Dans le bol mélangeur et robot réglé sur la vitesse 1 ou 2, **formez une crème** à l'aide du sucre, de la matière grasse (shortening), des œufs et de la vanille. Ajoutez la farine, le bicarbonate de soude et le sel. Mélangez bien, ajoutez progressivement, à la main, les flocons d'avoine et les grains de chocolat. Versez la pâte par cuillerées successives sur des plaques à pâtisserie préalablement graissées. Faites cuire pendant 8 à 10 minutes dans le four réglé sur 350 °F. Attendez 8 à 10 minutes avant retirer les biscuits de leur moule. Cette quantité donne 5 douzaines de biscuits.

Biscuits à la farine d'avoine et aux grains de chocolat

2 tasses de sucre brun en morceaux
 1 tasse de matière grasse (shortening)
 2 œufs
 1 c. à café de vanille
 1–¾ de tasses de farine
 1 c. à café de bicarbonate de soude
 ½ c. à café de sel
 3 tasses de flocons d'avoine cuisant rapidement
 1 tasse de grains de chocolat

Remerciements :

Les exemples de recettes figurant ci-dessus nous ont été aimablement fournis par :

Salsa – Caroline Ciarelli, BSH Home Appliances

Pesto – Kitchen Resource

Yaourts aux fruits – Marni Rader, BSH Appliances

Pain français – Kitchen Resource

Biscuits à la farine d'avoine et aux grains de chocolat – Kitchen Resource.

Garantie Bosch Small Appliance

BSH Home Appliances («BOSCH») garantit tous les petits appareils neufs pendant une durée de un (1) an à compter de la vente au premier propriétaire. Cette garantie couvre tous les défauts d'origine de conception et de fabrication, ainsi que le matériel.

Durant la période de garantie citée, BOSCH s'engage à réparer ou remplacer, à son libre choix, et ce gratuitement, tout appareil ou pièce d'appareil s'étant révélé(e) défectueux(se) dans les conditions normales d'utilisation. Le renvoi de l'appareil à des fins de réparation est sous la seule responsabilité du propriétaire. Les pièces et les appareils réparés ou remplacés devront être identiques ou, si cela n'est pas possible, ressembler autant que possible à l'appareil ou la pièce original, et ce pour des raisons de garantie.

Si vous devez faire appel aux services de BOSCH Small Appliances, veuillez contacter le service clientèle au 1-866-44-BOSCH. Toutes les réparations des appareils BOSCH doivent être effectuées par des techniciens qualifiés. Cette garantie ne s'applique qu'à l'achat original et n'est pas transférable. Sont exclues de la garantie toutes les pannes survenant à la suite d'accidents, utilisations non conformes, négligences, abus, notamment la falsification, l'usage de fréquence ou de voltage différents de ceux spécifiés sur le produit ainsi que l'utilisation à des fins commerciales.

Dans la mesure où cela est légal, cette garantie présente vos recours exclusifs, que ce soit pour négligence ou non. La responsabilité de BOSCH ne saurait être engagée dans le cas de dommages secondaires ou conséquents, pertes ou frais.

CETTE GARANTIE REMPLACE TOUTES LES AUTRES GARANTIES ENONCEES. TOUTE GARANTIE DECOULANT DE LA LOI, QUE CE SOIT POUR DES RAISONS DE VALEUR COMMERCIALE, D'ADAPTATION A UNE FIN PARTICULIERE OU AUTRE NE SERA EFFECTIVE QUE SUR LA MEME PERIODE QUE LA PRESENTE GARANTIE. BOSCH NE SAURAIT ETRE TENU POUR RESPONSABLE DE DOMMAGES ACCESSOIRES OU CONSEQUENTS.

Aucune adaptation, modification ou rectification de cette garantie ne pourra prendre effet sans l'autorisation écrite d'un membre du comité directeur BOSCH. Certains états n'admettant pas de limitations sur la durée de garantie ou sur l'exclusion ou la limitation de dommages secondaires ou conséquents, les limitations et exclusions susmentionnées sont alors caduques. Cette garantie vous donne des droits légaux spécifiques ; il est possible que vous ayez d'autres droits variant d'un état à l'autre.

Vous souhaitez plus d'informations concernant les produits BOSCH ?

Consultez notre page internet : www.boschsmallappliances.com

INSTRUCCIONES DE SEGURIDAD IMPORTANTES

LEA ESTAS INSTRUCCIONES de seguridad y operación importantes cuidadosamente antes de utilizar el electrodoméstico. **UNICAMENTE PARA USO DOMESTICO.**

Advertencia: Existe peligro de descargas eléctricas en todos los electrodomésticos que pueden causar lesiones o la muerte.

Al emplear electrodomésticos deben observarse siempre las precauciones básicas de seguridad descargas eléctricas y lesiones personales, incluyendo las siguientes precauciones:

1. Lea todas las instrucciones antes de utilizar la máquina de cocina.
2. No sumerja ni ponga la unidad en el agua u otros líquidos a fin de evitar el riesgo de descargas eléctricas.
3. Esta unidad no debe ser utilizada por niños.
4. Se necesita una mayor atención si se usa el equipo estando cerca de los niños.
5. Observar el electrodoméstico mientras está funcionando.
6. Desenchufarlo mientras no está en uso, cuando se colocan o se quitan partes y antes de limpiarlo.
7. Para desconectarlo, ponga el interruptor principal en OFF y luego retire el enchufe del tomacorriente.
8. Evite el contacto con las partes en movimiento. Mantenga tanto las manos, cabellos, vestimenta como espátulas y otros utensilios fuera del alcance de los batidores, cuchillas, discos, brazo de amasar y / o otras partes móviles durante el funcionamiento a fin de reducir el riesgo de lesiones personales o / y daños en el aparato.
9. No haga funcionar el electrodoméstico si el cable o el enchufe están averiados o si ha habido problemas en el funcionamiento. Lleve el electrodoméstico al servicio autorizado más cercano si requiere examinarlo, repararlo o ajustarlo eléctrica o mecánicamente.
10. El uso de accesorios no recomendados o provistos por el fabricante del electrodoméstico puede causar incendios, descargas eléctricas o lesiones y se lo prohíbe explícitamente.
11. No haga funcionar al aire libre o estando en ambientes húmedos.
12. No deje el cable colgando de la mesa o superficie de trabajo, ni lo ponga en contacto con superficies calientes.
13. Sólo debe hacer funcionar el aparato si están todas las coberturas en el lugar previsto.
14. Las cuchillas son muy filosas. Manipúlelas con cuidado para evitar lesiones.
15. Quite los batidores del cuenco antes de lavarlo

NOTA:

ASEGURESE DE HABER LEIDO LAS SUGERENCIAS Y ADVERTENCIAS QUE SE PROVEEN CON LAS INSTRUCCIONES DE USO DE LOS ACCESORIOS.

CONSERVE ESTAS INSTRUCCIONES

Advertencia en virtud de la Proposición 65:

Este producto puede contener un químico que el Estado de California reconoce como potencialmente cancerígeno o causante de daños reproductivos. Por tanto, su producto debe llevar en su embalaje la siguiente etiqueta de conformidad con la legislación de California:

ADVERTENCIA EN VIRTUD DE LA PROPOSICIÓN 65 DEL ESTADO DE CALIFORNIA:



ADVERTENCIA

Cancerígeno o causante de daños reproductivos - www.P65Warnings.ca.gov

ÍNDICE

INSTRUCCIONES DE SEGURIDAD IMPORTANTES	57
Sobre su máquina de cocina	59
La serie de máquinas compactas de cocina Bosch	59
Desembalaje	61
Especificaciones eléctricas	61
Antes del primer uso	61
Conozca su máquina de cocina Bosch	61
Características de la unidad de potencia	62
Puesta en funcionamiento	64
Accesorios estándar	67
Cuenco de mezclar con batidor, mezclador y brazo de amasar (MUZ4KR3)	67
Como utilizar el brazo de amasar	68
Como utilizar los batidores y mezcladores	70
Consejos respecto del cuenco de mezclar	71
Cuidado y limpieza del cuenco y sus accesorios	71
Licuada con jarra de plástico irrompible (MUZ4MX2)	72
Cuidado y limpieza de la licuadora	75
Rallador (MUZ4DS2)	76
El rallador y su uso adecuado	77
Limpieza y cuidado del rallador	79
Atención a clientes y reparaciones	80
Localización de fallos	80
Recetas simples	81
Salsa	81
Pesto	81
Licuados de fruta	81
Pan francés	81
Bizcochos de avena y chips de chocolate.	82
Declaración de Garantía para Electrodomésticos ligeros BOSCH	83

Sobre su máquina de cocina

Felicitaciones por haber elegido una unidad de la serie de máquinas compactas de cocina de Bosch. Una serie de máquinas compactas de cocina que nosotros y cocineros profesionales de todo el mundo (a quienes agradecemos su opinión) consideran como las mejores del mundo.

Mientras lee estas instrucciones, preste especial atención a las IMPORTANTES INSTRUCCIONES DE SEGURIDAD. Se proveen instrucciones de seguridad al igual que advertencias y llamados de atención para los accesorios en cada párrafo que describe el funcionamiento de los mismos.

La serie de máquinas compactas de cocina Bosch

La serie de máquinas compactas de cocina Bosch, está integrada por 4 modelos:

La MUM 4405 UC

- compuesta por la unidad de potencia de 400 Watios con el receptáculo para cable integrado, cuenco mezclador de 1 l de capacidad, con cubierta contra salpicaduras (MUZ4KR3), batidor, mezclador, brazo de amasar y cubierta del acoplamiento de alta velocidad.

La MUM 4420 UC

- compuesta por la unidad de potencia de 400 Watios con el receptáculo para cable integrado, cuenco mezclador de 1 l de capacidad, con cubierta contra salpicaduras (MUZ4KR3), batidor, mezclador, brazo de amasar, licuadora (MUZ4MX2), rallador continuo (MUZ4DS32) con discos para rallar, cortar y triturar, cubierta del acoplamiento de alta velocidad y soporte para accesorios.

La MUM 4620 UC

- compuesta por la unidad de potencia de 450 Watios con el receptáculo para cable integrado, cuenco mezclador de 1 l de capacidad, con cubierta contra salpicaduras (MUZ4KR3), batidor, mezclador, brazo de amasar, licuadora (MUZ4MX2), cubierta del acoplamiento de alta velocidad y soporte para accesorios.

La MUM 4635 UC

- compuesta por la unidad de potencia de 450 Watios con el receptáculo para cable integrado, cuenco mezclador de 1 l de capacidad, con cubierta contra salpicaduras (MUZ4KR3), batidor, mezclador, brazo de amasar, licuadora (MUZ4MX2), rallador (MUZ4DS32) con discos para rallar, cortar y triturar, cubierta del acoplamiento de alta velocidad y soporte para accesorios.



MUM 4405 UC



MUM 4620 UC



MUM 4420 UC



Figura 1

Desembalaje

Extraiga la unidad de potencia cuidadosamente de su embalaje, colocándola sobre la mesada. Con ello queda lista para su uso. A medida que extraiga los accesorios del cartón, contróleos en base a la figura 1, asegurándose que se encuentren todas las partes estándar.

Especificaciones eléctricas

Controle que la tensión con la cual deberá trabajar su máquina de cocina sea la misma que aquella indicada en la placa de características del equipo. Los modelos estándar norteamericanos tienen un consumo máximo de 400 o 450 Watios con el accesorios que requiere de la mayor potencia (algunos accesorios requieren una potencia menor)

Antes del primer uso

Antes de usar los accesorios auxiliares por primera vez, se recomienda lavarlos, enjuagarlos prolijamente y secarlos. De los accesorios provistos, todos pueden lavarse en el lavaplatos, menos la base con las cuchillas de la licuadora:

- ❑ La base con las cuchillas para la licuadora debe lavarse con agua corriente y secársela luego.
- ❗ Se recomienda no dejar la base con las cuchillas de la licuadora por tiempo prolongado en agua o agua jabonosa, para evitar que se lave el lubricante del rodamiento.

Conozca su máquina de cocina Bosch

Las máquinas compactas de cocina Bosch están compuestas por diversos accesorios, cuya combinación depende del sistema adquirido (ver abajo). Adicionalmente a los accesorios listados en las páginas anteriores y que se entregan con los sistemas estándar, Bosch ofrece diversos accesorios especiales.

Accesorios especiales

A fin de permitirle obtener el mejor servicio de su serie de máquinas compactas de cocina, los ingenieros de Bosch han diseñado una línea especial de accesorios, para ampliar el uso que se puede dar a la máquina. Adicionalmente a los accesorios que se entregan conjuntamente con las diferentes máquinas, hay accesorio opcionales que se pueden adquirir por separado. Se incluyen aquí, un molidor de alimentos y carne, molinos para granos, exprimidor para cítricos, máquina para hacer helado y otros accesorios que pueden usarse con el picador de carne: accesorio para biscochos, extractor de pulpa, accesorio molidor. Vea ACCESORIOS ESPECIALES al final de este libro, o bien, para ver todos los accesorios que se pueden conseguir actualmente, visite nuestra página de web en www.boschsmallappliances.com

Bosch trabaja continuamente en la ampliación de los usos para sus máquinas de cocina. Si Vd. conoce un accesorio en el cual está interesado y que no está incluido al final de este libro, rogamos nos escriba a:

Bosch Small Appliances

Customer Support

BSH Home Appliances
5551 McFadden Avenue
Huntington Beach, CA 92649

o llámenos a:

1 (866) 44BOSCH // [1 (866) 442-6724]

Características de la unidad de potencia

Motor

La MUM 4405 y la MUM 4420 tienen un motor de 400 Watios, mientras que la MUM 4620 y la MUM 4635 tienen un motor de 450 Watios, que es el motor más poderoso que se ofrece en máquinas de cocina compactas.

Todas las unidades de potencia MUM de las series compactas tienen las siguientes características (ver figura 2):

Control electrónico de velocidad

Se encuentra una llave rotativa de seis posiciones al costado del brazo de funciones múltiples de la unidad de potencia: 4 velocidades y una posición de bloqueo para el reposo «P» más una posición de parada «O/Off», ver la figura 2a.

Tres acoplamientos para accesorios

Los tres acoplamientos:

- uno para alta velocidad para la licuadora y otros accesorios que requieren de una alta velocidad en el eje.

- otro de velocidad media para el accesorio de triturador u otros acoplamientos que requieren una velocidad mediana en el eje.

y

- otro de elevado momento de giro para batidores y brazos de amasar accesorios picadores de alimentos y otros accesorios que requieren de un momento de giro elevado.

Cada uno de estos acoplamientos está accionado por el control electrónico de potencia de cuatro velocidades, proveyendo de esta manera, 12 velocidades de eje, optimizando así, la velocidad del motor para diferentes cargas que se necesitan para los distintos accesorios.

Brazo multifuncional ergonómico

Cuatro posiciones con traba, ubican los accesorios en las posiciones más ergonómicas para su uso.

Posición de reposo «P»

La llave giratoria de seis posiciones, ubicada en la parte lateral del brazo multifuncional de la unidad de potencia posee una posición «P» de «reposo». Los acoplamientos deben ubicarse en su posición de reposo, antes de cambiar de posición el brazo multifuncional. Si los acoplamientos no se encuentran en la posición adecuada para mover el brazo, la posición «P» de la llave giratoria tiene como efecto que el motor reubique los acoplamientos. Si el motor no realiza actividad alguna cuando se coloca la llave giratoria en la posición «P», los acoplamientos ya se encuentran en la posición adecuada para mover el brazo.

Cubiertas para los acoplamientos

Se proveen dos cubiertas para los acoplamientos de alta y mediana velocidad, cuando estos no se encuentran en uso. Ver figura 2c.

Alojamiento conveniente para el cable

La MUM 4405 y la MUM 4420 poseen un alojamiento adecuado para el cable en la parte posterior de la unidad de potencia, donde puede enrollarse el cable alrededor de un soporte a tal fin. Ver figura 2d.

La MUM 4620 y la MUM 4635 tienen un alojamiento para el cable integrado en el interior. Para guardar el cable o reducir su longitud cuando se utilizan estas unidades, simplemente debe tirar de él y luego soltarlo para que se retraiga en la base de la máquina. Ver figura 2.

Cuatro patas de goma

Cuatro patas de goma proveen la estabilidad necesaria, a la vez que proveen la aislación necesaria para la unidad de potencia, evitando ruidos y vibraciones.

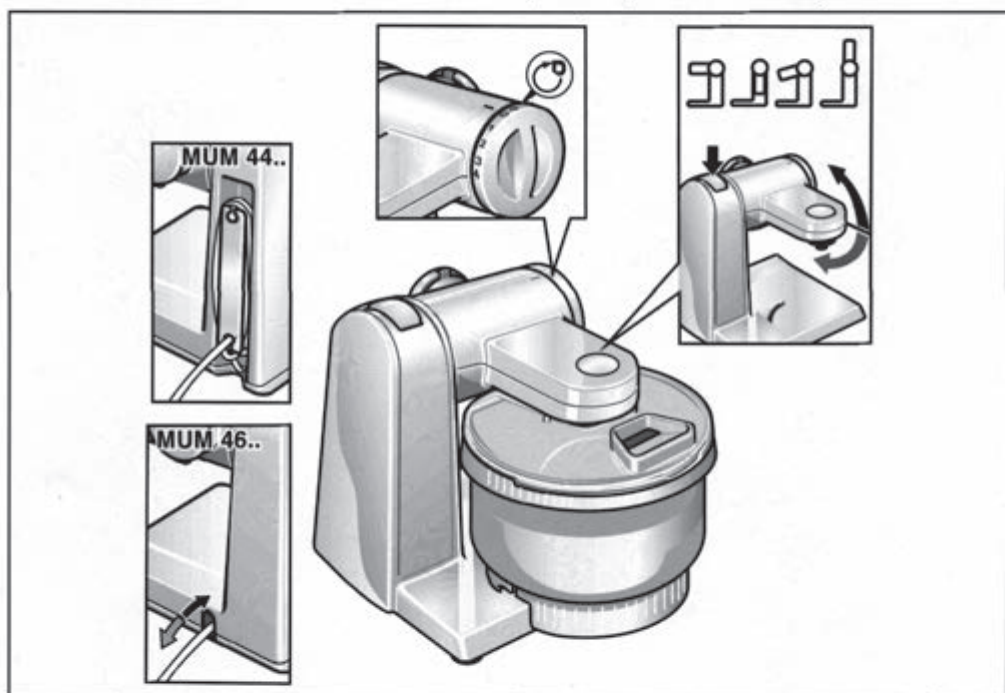


Figura 2

Puesta en funcionamiento

El funcionamiento de su máquina compactas de cocina Bosch se resume abajo.

Estas instrucciones resumidas están seguidas por la instrucciones específicas para el uso de cada accesorio que conforma el sistema que cubre este manual. Rogamos lea las instrucciones específicas cuidadosamente antes de usar el accesorio, prestando especial atención a las INSTRUCCIONES DE SEGURIDAD y a las ADVERTENCIAS.

1. Coloque la unidad de potencia sobre una superficie de trabajo adecuada.

Antes de utilizar la máquina con cualquier accesorio, debe colocarse la unidad de potencia en una superficie de trabajo adecuada.

La superficie debe ser suficientemente fuerte, lisa y limpia. Asegúrese que no hay harina o aceite sobre la superficie. Una superficie lisa y limpia presentará la mejor base de apoyo para las patas tipo ventosa y evitará deslizamientos o que la unidad de potencia «camine».

2. Conecte la unidad de potencia en la red de alimentación.

Tire del cable de alimentación o desenróllelo hasta que tenga la longitud necesaria. Asegúrese que la llave se encuentre en la posición «O/Off» y conecte al tomacorriente más cercano. Coloque la llave giratoria en el punto «P», para asegurar que los acoplamientos se encuentran en la posición correcta. Si el motor no posiciona los acoplamientos cuando gira la llave giratoria a la posición «P», los acoplamientos ya se encuentran en la posición correcta para girar el brazo.

ADVERTENCIA

1. No enrosque o intente empujar el cable hacia el interior del alojamiento. Si el cable se embrolla, tire de él hasta extraerlo en su máxima longitud y déjelo luego que se retraiga lentamente.
2. Si se interrumpe la alimentación de energía, la unidad de potencia queda prendida y vuleva a ponerse en funcionamiento, cuando vuelva conectarse la corriente.
3. Quite la cobertura del acoplamiento Quite la cobertura del acoplamiento que va a utilizar. Ver figura 2c.

4. Seleccione el accesorio a utilizar

Seleccione el accesorio que quiere utilizar. Posicione el brazo multifuncional ergonómico si es necesario (ver figura 4a y 4b) y coloque el accesorio en la unidad de potencia.

Las máquinas compactas de cocina Bosch usan los accesorios en 6 modos distintos. Los diferentes modos (el acoplamiento y la posición del brazo) utilizados se muestran en la tabla 1.

Model	Drive and Arm Position	Attachment
1		
2		
3		
4		
5		
6		

Tabla 1

Ver las instrucciones específicas para el accesorio seleccionado. Éstas se ubican en las páginas según se lista a continuación:

Accesorio	Pag.
Cuenco de mezclar con batidor, mezclador y brazo de amasar	67
Licuada	72
Triturador	76

Tabla 2

5. Operar la unidad con la perilla giratoria.

Una vez que el accesorio se encuentra en su lugar, la velocidad de giro de sus partes móviles se puede controlar mediante la perilla giratoria ubicada en la parte lateral de la unidad de potencia. Ver figura 2a. La perilla giratoria tiene seis posiciones:

- Posición «P» de reposo, para que el acoplamiento se ubique en la posición de «reposo» antes de modificar la posición del brazo multifuncional.
- Posición «O/Off» de apagado.
- Cuatro velocidades: 1, 2, 3, y 4. Velocidad 1 es la más baja. La velocidad aumenta con cada paso siguiente, hasta la más alta: 4.

Todos los modelos de máquinas compactas de cocina Bosch poseen un control de seguridad electrónico para proteger el motor. Si se activa el sistema de seguridad, el motor se detiene. Apague la máquina en este caso y espere a que se enfríe. Consulte las SOLUCIONES DE PROBLEMAS al fina de este manual.

ADVERTENCIA

Haga funcionar el electrodoméstico únicamente con los accesorios en su posición de funcionamiento, según se ve en la tabla 1. No la haga funcionar sin carga.

6. Apagado de la unidad de potencia

Cuando su labor ha concluido o el accesorio en uso se ha llenado, apague la unidad de potencia, girando la llave giratoria a «O/Off», haga girar la llave giratoria a la posición «P» para ubicar los acoplamientos en su posición de reposo y desenchufe.

7. Quitar el accesorio.

Quite el accesorio de la unidad de potencia, siguiendo las instrucciones específicas del mismo. En algunos casos es necesario mover el brazo para quitarlo.

8. Continuar con el uso.

Si el accesorio en uso se ha llenado y Ud. desea continuar usándolo, vacíe el cuenco o el recipiente del accesorio según las instrucciones específicas del mismo y reinstálelo como antes. Repita las instrucciones 5 a 7 tantas veces como haga falta para terminar la tarea.

9. Trabajo terminado, quitar el accesorio.

Cualquiera que sea el tipo de accesorio, si Ud. ha concluido el trabajo que deseaba realizar, quítelo de la unidad de potencia según las instrucciones específicas del mismo. En algunos caso es necesario mover el brazo para quitarlo.

10. Ubicar el contenido (accesorio tipo colector)

Si el accesorio es del tipo colector desármelo según las especificaciones específicas y ubique el contenido en un contenedor adecuado.

11. Limpieza y cuidado

Una vez que ha concluido el trabajo con la máquina de cocina Bosch, el paso siguiente es desarmar y limpiar los accesorios. Si desea utilizar otro accesorio, regrese al punto 4.

Unidad de potencia

Con la unidad de potencia apagada y desenchufada, debe limpiársela únicamente con un paño limpio y suave. Luego coloque la cobertura y reinstale la unidad de potencia. Nunca utilice productos de limpieza abrasivos o cáusticos. No sumerja la unidad de potencia en agua.

La unidad de potencia puede dejarse ahora sobre la superficie de trabajo o guardársela para usos posteriores. En todos los casos cuide de reponer la cobertura sobre el acoplamiento que ha usado, si anteriormente lo ha retirado. Esto evitará que se acumule polvo o harina en el mismo.

Enrolle el cable sobre el soporte correspondiente o hágalo retraerse en la máquina, ubicando la máquina luego en el sitio elegido.

Accesorios

El / los accesorio(s) que fueron utilizados deben desarmarse y lavarse según las instrucciones correspondientes y luego debe secárselas para guardarlas y poder usarlas posteriormente.

Accesorios estándar

En lo que sigue se describen las instrucciones específicas de los accesorios que se proveen con las máquinas compactas de cocina Bosch a las cuales corresponde este manual.

Cuenco de mezclar con batidor, mezclador y brazo de amasar (MUZ4KR3)

ADVERTENCIA

1. Existe peligro de lesiones proveniente de las piezas giratorias cuando se utiliza el cuenco de mezclar, el batidor o el brazo de amasar.
2. Evite tocar las piezas en movimiento. Mantenga las manos, el pelo, la ropa al igual que espátulas rascadores y otros utensilios alejados del brazo de amasar y los batidores, a fin de evitar lesiones y / o daños en la unidad de potencia o en los accesorios.
3. Trabaje siempre con la tapa del cuenco colocada en su lugar.
4. No cambie las herramientas hasta que la unidad se haya detenido por completo. Una vez apagada, la unidad sigue girando por un tiempo breve.

Todos los modelos de máquinas compactas de cocina de Bosch, se proveen con un cuenco de mezclar de 1 litro con batidores y mezcladores y un brazo de amasar. Pueden conseguirse cuencos de mezclar adicionales como accesorios, bajo el número de parte : **MUZ4KR3**.

Consulte la sección de accesorios especiales al fin de este manual. El cuenco de mezclar con los batidores, mezcladores y brazo de amasar, consiste de las siguientes partes (ver figura 3):

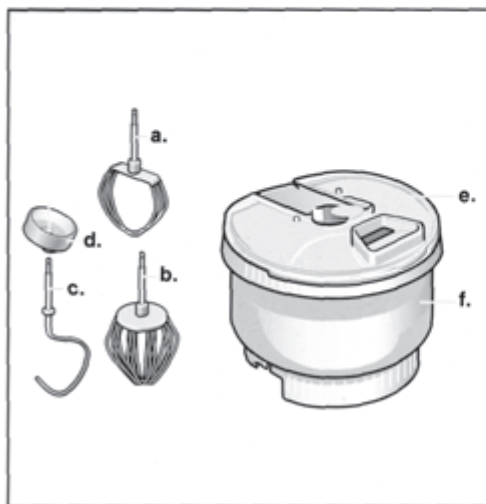


Figura 3

- 3a.** Mezclador
- 3b.** Batidor
- 3c.** Brazo de amasar
- 3d.** Deflector de amasar
- 3e.** Cubierta contra salpicaduras
- 3f.** Cuenco de mezclar

Como utilizar el brazo de amasar

El brazo de amasar y el cuenco de mezclar están pensados para amasar masa de levadura y mezclar masas para bizcochos y pastaflora y también cuando quieren agregarse nueces, chips de chocolate, frutas secas, manteca o grasa de hornear, azúcar moreno, etc. para batir.

Uso del cuenco de mezclar con el brazo de amasar

Antes de comenzar a colocar este u otros accesorios, controle que la unidad de potencia se encuentre sobre una superficie de trabajo lisa, limpia y adecuada y que el conmutador se encuentra en la posición «O/Off».

- 1.** Antes de utilizar por primera vez el cuenco de mezclar y la cobertura contra salpicaduras y el brazo de amasar, se recomienda lavarlos. Todos los elementos del cuenco de mezclar y el brazo de amasar son aptos para lavárselos en la máquina lavavajilla. También puede lavárselas en agua tibia jabonosa. Enjuague prolijamente y séquelos antes de usarlos.

2. El brazo de amasar se utiliza en el modo 1 (ver tabla 1). Para colocar el cuenco de mezclar y el brazo de amasar, debe moverse el brazo según se muestra en la figura 4:

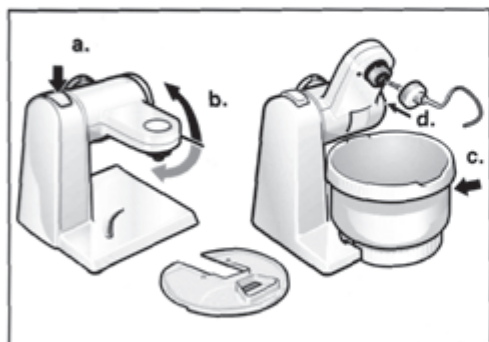


Figura 4

- 4a. Presione el botón de traba
- 4b. Levante el brazo
- 4c. Coloque el cuenco
- 4d. Coloque el brazo de amasar con el deflector
3. Una vez que el brazo de amasar está ubicado, controle que esté completamente insertado y gire luego el brazo a su posición inferior presionando el botón de traba para realizar esta operación.

- i** Si los acoplamientos no fueron posicionados desde el último uso, es necesario conectar el cable y ubicar la llave giratoria en la posición «P», para posicionar el acoplamiento, permitiendo que el batidor penetre en el cuenco.

Coloque la cubierta contra salpicaduras sobre el cuenco. La cubierta debe quitarse para agregar los ingredientes, pero debe estar en su lugar, cuando la máquina está en marcha. La cubierta contra salpicaduras sirve para prevenir el escape de polvo de harina al principio del mezclado o amasado y también evita el contacto con el brazo de amasar en movimiento.

Puesta en funcionamiento con el brazo de amasar

Asegúrese que la unidad de potencia se encuentre sobre una superficie de trabajo lisa, limpia y que esté apagada («O/Off»). Desenrolle el cable o tire del mismo para extraerlo, hasta lograr una longitud suficiente, enchufándolo en un tomacorriente adecuado. Ahora el cuenco de mezclar con el brazo de amasar están listos para trabajar.

También pueden consultarse ejemplos de recetas en la sección correspondiente al final de este manual.

Como utilizar los batidores y mezcladores

Todas las máquinas compactas de cocina de Bosch vienen acompañadas por batidores y mezcladores, adicionalmente al brazo de amasar (ver figura 3).

El batidor se entienden para sustancias muy livianas, como cremas, clara de huevos, salsas, batidos y masas livianas de pastaflores que son suficientemente líquidas para verter.

El mezclador está pensado para mezclar masas para pasteles y galletitas.

Asegúrese siempre de utilizar el bazo de amasar en el caso de tratarse de masas espesas para galletitas, por ejemplo para galletitas de avena y chocolate.

Uso del cuenco de mezclar con batidor o mezclador

Antes de comenzar a colocar este u otro accesorio, asegúrese de que la unidad de potencia se encuentre sobre una superficie plana, limpia y adecuada y que la llave giratoria se encuentre en la posición «O/Off».

1. Antes de utilizar el cuenco para mezclar y el batidor o mezclador por primera vez, es recomendable lavar el cuenco, la cubierta contra salpicaduras y los batidores. Todos los componentes pueden lavarse en la máquina lavavajilla, o bien en agua tibia con jabón. Después del lavado, enjuáguelos y séquelos bien.

2. Tanto el batidor como el mezclador deben usarse en el modo 1 (ver tabla 1 y figura 4). Siga los pasos detallados en la figura 4, y en el paso 4d, inserte el batidor que desea en vez del brazo de amasar y su deflector.

3. Una vez que el batidor está en su lugar, asegúrese que esté completamente insertado y luego rote el brazo hacia abajo, presionando el botón de traba.

- i** Si los acoplamientos no fueron posicionados desde el último uso, es necesario conectar el cable y ubicar la llave giratoria en la posición «P», para posicionar el acoplamiento, permitiendo que el batidor penetre en el cuenco.

Coloque la cobertura contra salpicaduras sobre el cuenco. La cobertura posee un embudo de carga incorporado. Puede quitarse la cobertura para agregar los ingredientes, sin embargo, ésta debe permanecer en su lugar siempre que la unidad de potencia esté en marcha. La cobertura contra salpicaduras sirve para evitar que escape polvo de harina al principio del proceso de mezclado y también para evitar el contacto con el batidor en movimiento.

Puesta en marcha con el batidor o mezclador

Asegúrese de que la unidad de potencia se encuentre sobre una superficie plana, limpia y adecuada y que la llave giratoria se encuentre en la posición «O/Off». Tire del cable o desenróllelo hasta la longitud requerida, enchufándolo en un tomacorrientes adecuado. El cuenco con el batidor está listo para su uso. Al final del manual se encuentra la sección de recetas, donde pueden consultarse recetas ejemplo.

Consejos respecto del cuenco de mezclar

1. Si usa el cuenco para mezclar con el fin de amasar o mezclar recetas recomendadas para preparar a mano, descubrirá que, en las máquinas compactas de cocina de Bosch, puede colocar los ingredientes todos a un mismo tiempo. Si así lo hace, coloque primero los líquidos. El mezclado será más eficiente.
2. Si agrega los ingredientes para una mezcla:
 - a. coloque la llave giratoria en un paso más bajo
 - b. agregue los ingredientes a través del embudo

Quitar el contenido

Antes de comenzar a quitar el contenido del cuenco de mezclar, asegúrese que la unidad de potencia esté conmutada a la posición «P», y luego a la posición «O/Off». Quite la cobertura contra salpicaduras. Una vez quitada, debe presionarse el botón de traba, girando el brazo hacia arriba según se visualiza en las figuras 4a y 4b. El brazo de amasar o el batidor deben quitarse, tirando hacia afuera con un movimiento recto y uniforme.

El cuenco de mezclar puede extraerse de la unidad de potencia levantándolo.

El contenido puede usarse según se desee.

Cuidado y limpieza del cuenco y sus accesorios

El cuenco de mezclar, los batidores, el brazo de amasar, el deflector de éste y la cobertura contra salpicaduras pueden lavarse en la máquina lavavajillas.

Para facilitar la limpieza:

La unidad de potencia de la máquina de cocina debe limpiarse mediante un paño limpio y húmedo. Nunca use productos de limpieza abrasivo o cáusticos para limpiar el electrodoméstico. Nunca sumerja la unidad en agua.

Licadora con jarra de plástico irrompible (MUZ4MX2)

⚠ ADVERTENCIA

1. Existe peligro de lesiones proveniente de las cuchillas filosas cuando usa el accesorio de la licadora.
2. Mantenga las manos y utensilios fuera del vaso de la licadora mientras está colocada sobre la unidad de potencia.
3. Las cuchillas son filosas. Trátelas con cuidado.
4. Para evitar lesiones, nunca coloque el conjunto de cuchillas sobre la unidad de potencia, sin que esté firmemente montado el vaso de la licadora.
5. Haga funcionar la licadora siempre con la tapa colocada.
6. El uso de accesorios que no están recomendados por el fabricante, causan peligro de lesiones personales.
7. Si se licuan sustancias caliente y / o espumosas, no lo haga con cantidades mayores a 18 onzas de líquido (0,5 litros).

Las máquina compactas de cocina de Bosch MUM 4635UC, MUM 4620UC y la MUM 4420 UC incluyen la licadora MUZ4MX2 como accesorio (ver figura 5):

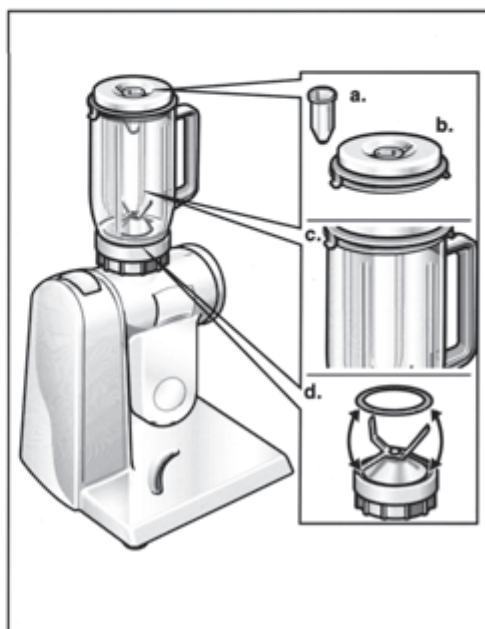


Figura 5

- 5a. Cubierta de cierre con embudo
- 5b. Cubierta
- 5c. Jarra de la licadora
- 5d. Conjunto base con cuchillas, junta y anillo de traba

1. Antes de usar la licuadora por primera vez, se recomienda que la tapa del vaso de la misma, la tapa con el embudo de carga y la base con las cuchillas, la junta y el anillo de traba se laven. Todos los componentes excepto la base con las cuchillas, pueden lavarse en la máquina lavavajillas. Quite la base con las cuchillas de la licuadora.

Quite primero del anillo de traba, según se indica en las figuras 6 y 6b. Gire luego la licuadora, de manera que la base señale hacia arriba, como se muestra en la figura 7 y quite la base con las cuchillas, girándola en sentido antihorario, hasta que haga tope. Levántelo ahora como se ve en las figuras 7c y 7e.

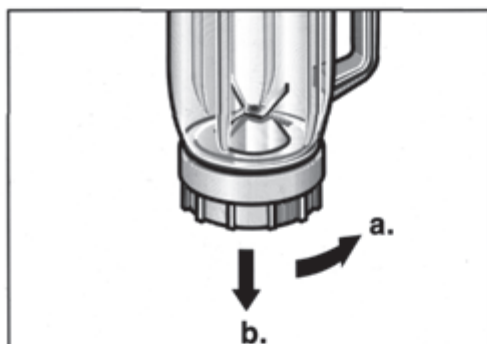


Figura 6

CUIDADO

Las cuchillas son muy filosas.
Trátelas con cuidado.

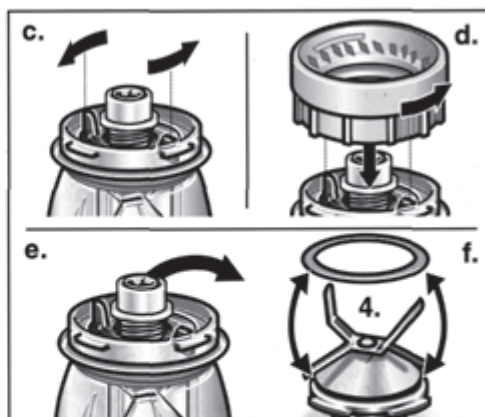


Figura 7

Si el conjunto de cuchillas está demasiado ajustado para girarlo a mano, puede usarse el anillo de traba para aflojarlo, según se muestra en la figura 7d. Una vez flojo, gire el conjunto de cuchillas en sentido antihorario hasta que haga tope y levántelo. Puede quitarse la junta para limpiarla, como se muestra en la figura 7f.

Lave el conjunto de cuchilla bajo agua corriente. No coloque el conjunto de cuchillas en la máquina lavavajilla ni la deje por tiempo prolongado en agua. Esto provocaría que se lave el lubricante. Una vez limpiado, enjuague y séquelo con prolijidad.

2. Para armar el conjunto de cuchillas con la licuadora, proceda en orden inverso que durante el desarmado.

3. La licuadora se utiliza en el modo 3 (ver la tabla 1). Para colocar la licuadora sobre la unidad de potencia, debe girarse el brazo a su posición más baja. Presione el botón de traba (ver 4a) y baje el brazo hasta que esté en posición horizontal y el acoplamiento de alta velocidad señale hacia arriba. Si aún no lo hizo, quite la cubierta del acoplamiento de alta velocidad y coloque la licuadora en éste, girando en sentido anithorario para que se trabé.

Puesta en marcha de la licuadora

Asegúrese que la llave giratoria se encuentre en la posición «O/Off». Tire del cable o desenróllelo hasta que tenga la longitud suficiente para enchufarlo en el tomacorriente más cercano. Ahora la licuadora está lista para su uso.

En uso normal, el vaso de la licuadora se llena con la totalidad de material a licuar, antes de poner en marcha el equipo. La cubierta y su cierre deben estar en su lugar después de haber llenado el vaso y antes de poner la licuadora en funcionamiento. Todo agregado de material a licuar en adelante, debe introducirse a través de la abertura de la cubierta. Ver figura 8. Para agregar sustancias sólidas o granuladas. Ver figura 8a. Para agregar líquidos, deje el embudo en su lugar y agregue los líquidos a través del embudo, según se muestra en la figura 8b.

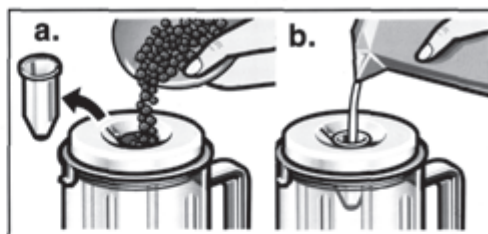


Figura 8

Ejemplo de uso de la licuadora

Para que se familiarice con el funcionamiento de la licuadora, ofrecemos una receta de mayonesa que sigue a continuación:

Receta de mayonesa

- 1 huevo entero
- $\frac{1}{3}$ de aceite vegetal
- 2 cucharadas soperas de jugo de limón o vinagre
- 1 cucharadita de azúcar
- $\frac{1}{2}$ cucharadita de mostaza
- $\frac{1}{2}$ cucharadita de sal
- $\frac{2}{3}$ de taza de aceite vegetal

Mezcle todos los ingredientes, excepto los $\frac{2}{3}$ de tazas de aceite durante algunos segundos a velocidad 1. Vuelque ahora rápidamente el aceite a través de la cubierta abierta en un chorro grueso y uniforme, según se muestra en la figura 8b. Haga funcionar la licuadora a una velocidad de 1 o 4 hasta que la mezcla está espesa y suave (aproximadamente 10 a 20 segundos). Obtendrá 1 $\frac{1}{4}$ de tazas.

Consejos:

La licuadora debe utilizarse considerando cuidadosamente lo que se necesita y / o desea. La velocidad a la cual se hace funcionar la licuadora y el tiempo durante el cual lo hace, dependen de cuán fino se desea el resultado y de la cantidad a licuar.

Si se va a utilizar la licuadora con materiales secos, tales como nueces o pan seco, se obtendrá el mejor resultado si se llena el vaso aproximadamente hasta la mitad. Si la licuadora no arranca (cuando se intenta hacerla funcionar a su máxima velocidad) después de conmutarla al estado de marcha y se prende intermitentemente el indicador de estado, el contenido ha bloqueado la cuchilla. Deberá procederse a:

1. Conmutar al «O/Off» y desconectar el enchufe.
2. Debe quitarse la licuadora y aflojar el contenido en el fondo del vaso.

Extraer el contenido

Antes de extraer el contenido de la licuadora, asegúrese que la unidad de potencia esté apagada y el conmutador en «O/Off». Quite la licuadora de la unidad de potencia girándola en sentido horario mientras la tira hacia arriba. Con la licuadora quitada de la unidad de potencia, puede procederse a verter el contenido en un recipiente o cuneco adecuado.

Cuidado y limpieza de la licuadora

Todos los componentes de la licuadora excepto el conjunto de la base con las cuchillas, pueden lavarse en la máquina lavavajilla. Se recomienda limpiar la base con las cuchillas bajo el grifo de agua en vez del lavavajilla. El jabón y el detergente pueden lavar el lubricante del rodamiento. No utilice agentes de limpieza abrasivos.

La unidad de potencia de la máquina de cocina se debe limpiar mediante un paño limpio y suave. Nunca utilice productos de limpieza grueso o cáusticos. Nunca sumerja la unidad de potencia en agua.

Rallador (MUZ4DS2)

⚠ ADVERTENCIA

1. Las cuchillas en los discos son filosas. Trátelas con cuidado. No sujete los discos de las cuchillas.
2. Si trabaja con el rallador, mantenga las manos libres para cargar y descargar. Utilice el empujador.
3. El rallador debe estar completamente armado antes de colocarlo en la unidad de potencia.

4. Opere el rallador siempre completamente armado y con la cubierta en su lugar.

Las máquinas compactas de cocina Bosch MUM 4635 UC y MUM 4420 UC incluyen el rallador MUZ4DS2 como accesorio. Este rallador consiste de (ver figura 9):

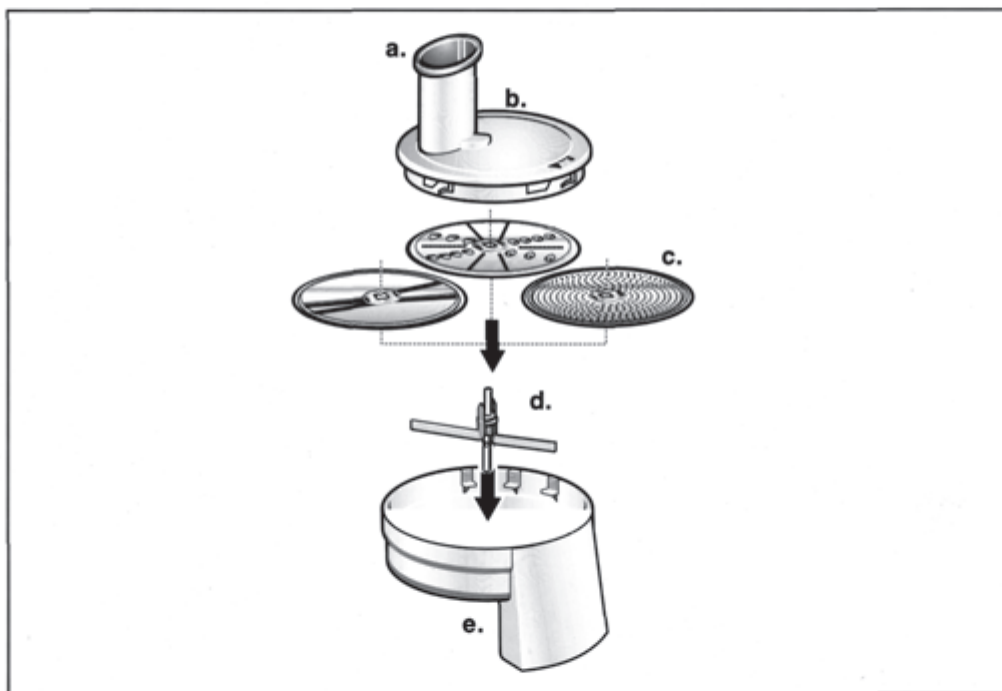


Figura 9

- a. Cubierta de cierre con empujador
- b. Cubierta

- c. 3 discos cortadores ralladores
 - disco cortador reversible
 - disco rallador reversible
 - disco triturador
- d. Soporte de disco con barredor
- e. Carcasa

El rallador y su uso adecuado

El accesorio rallador fue diseñado para cortar, rallar o triturar verduras o quesos blandos y embutidos o carne, o bien rallar verduras y quesos duros.

Uso del cortador / rallador

Antes de comenzar a utilizar este u otros accesorios, controle que la unidad de potencia se encuentre sobre una superficie de trabajo lisa, limpia y adecuada y que el conmutador se encuentra en la posición «O/Off». Además deberá haber quitado la cobertura de la unidad motriz.

1. Antes de usar le rallador por primera vez se recomienda lavar la cubierta con el empujador, cubiertas, discos, soporte de discos con el barredor y la carcasa. Todos los componentes del rallador pueden lavarse en la máquina lavavajilla. Una vez lavados, enjuáguelos y séquelos correctamente.

ADVERTENCIA

Las cuchillas de los discos son muy filosas. Trátelas con cuidado.

EL rallador se utiliza en el modo 2 (ver tabla 1). Para colocar el rallador sobre la unidad de potencia, debe girarse el brazo a su posición horizontal. Presione el botón de traba (ver 4a) y mueva el brazo si fuera necesario, hasta que esté en posición horizontal. Si aún no lo hizo, quite la cubierta del acoplamiento de velocidad media, según se muestra en el figura 10.



Figura 10

Arme el rallador en el orden que se muestra en la figura 9:

1. Inserte el soporte del disco con el barredor en la carcasa.
2. Seleccione el disco a utilizar y colóquelo sobre el soporte correspondiente, habiéndose asegurado que el lado correcto señale hacia arriba.
3. Coloque la cubierta sobre la carcasa y gírela en sentido antihorario hasta que la cubierta se ubique en su lugar, trabándose y las flechas estén alineadas (ver figura 11).
4. El rallador está armado ahora.
5. Coloque el cuenco sobre la unidad de potencia. Presione el botón de traba y levante el brazo de modo de poder colocar el cuenco en posición, y vuelva a bajar el brazo hasta la posición horizontal.
6. Coloque el rallador en el acoplamiento de velocidad intermedia de la unidad de potencia, con el brazo en posición horizontal y gire en sentido antihorario hasta que se traba en la posición correcta.

Poner el cortador /rallador en marcha

Asegúrese que la unidad de potencia se encuentre sobre una superficie de trabajo lisa, limpia y que esté apagada («O/Off»). Tire del cable o desenróllelo en una longitud suficiente, enchufándolo en un tomacorriente adecuado. Ahora el cortador / rallador está en condiciones de funcionamiento.

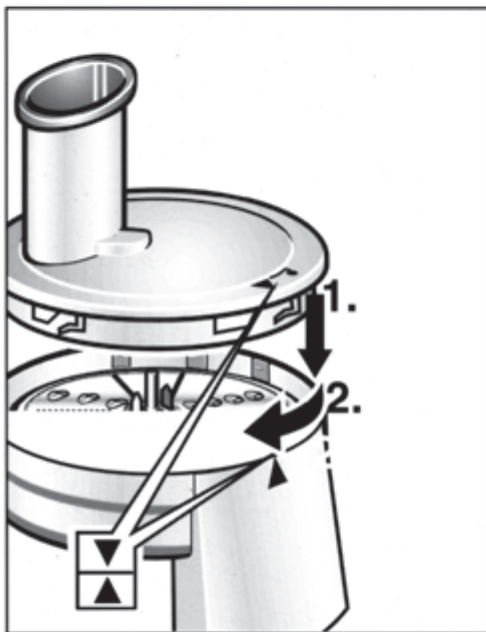


Figura 11

Coloque los objetos a cortar o rallar en el embudo de carga y asegúrese de utilizar el empujador para empujar los objetos durante el funcionamiento.

El aprender a empujar correctamente los alimentos dentro del cortador / rallador, es lo más importante para obtener resultados satisfactorios:

1. Para obtener trozos largos, coloque los alimentos acostados dentro del tubo de carga.
2. Para obtener rodajas circulares, coloque los alimentos con un extremo hacia abajo. Por ejemplo si desea obtener rodajas circulares de zucchini o zanahorias:
 - corte transversalmente, no a lo largo
 - coloque los zucchini o las zanahorias de punta en el tubo de carga, hasta que este lleno.

Para cortar un objeto individual y pequeño, por ejemplo una zanahoria:

- coloque la zanahoria dentro del tubo de carga en el lado opuesto al filo cortante del disco.

La pared del tubo de carga mantendrá la zanahoria en posición vertical.

Cuando utiliza el rallador, asegúrese de observar el nivel de material cortado o rallado dentro del cuenco y detenga el proceso antes que el nivel llegue al tubo de descarga.

Consejos para el cortado / rallado:

1. Si se compran frutas o verduras que caben dentro del tubo de carga, se simplifica la preparación de alimentos.
2. Alimentos que se desean usar juntos, debe cortarse juntos. Esto puede aprovecharse ventajosamente. Por ejemplo cebolla de verdeo y apio a menudo se utilizan juntos. Sin embargo, es difícil cortar la cebolla de verdeo sola. Trate de cortar la cebolla de verdeo conjuntamente con el apio, intercalándola con el apio dentro del tubo de carga.
3. Utilice el disco para rallar lechuga.
4. No hierva demasiado las patatas que desea cortar. Además es aconsejable dejarlas que se enfríen antes de cortarlas. La patatas deben estar frías y compactas para obtener rodajas regulares.

Si el rallador no arranca (cuando intenta hacerlo marchar a su velocidad máxima), quiere decir que el disco está trabado por el contenido. En este caso debe:

1. colocar el conmutador en «O/Off» y desenchufar el equipo,
2. quitarse el rallador de la unidad de potencia, quitar la cubierta y extraerse los objetos que producen el bloqueo.

Extraer el contenido

Antes de comenzar a extraer el contenido del cuenco, debe asegurarse que la unidad de potencia este conmutada a «O/Off». El rallador puede quitarse de la unidad de potencia girándolo en sentido horario y tirando simultáneamente hacia arriba. Una vez quitado del rallador, debe presionarse el botón de traba y girar el brazo hacia arriba hasta poder extraer el cuenco. El contenido de éste puede verse ahora en un recipiente adecuado.

Limpieza y cuidado del rallador

Todos los componentes del rallador pueden lavarse en la máquina lavavajillas. No utilice elementos punzantes en ninguna de las partes del rallador.

La unidad de potencia de la máquina de cocina debe limpiarse mediante un paño limpio y suave. Nunca utilice agentes de limpieza abrasivos o cáusticos para limpiar el equipo. Nunca lo sumerja en agua.

Atención a clientes y reparaciones

Las máquinas de cocina Bosch, no requieren de otros cuidados que aquellos que se describen en este manual. Si tiene un problema con su máquina, consulte nuestra búsqueda de fallos que se encuentra abajo, antes de llamar a nuestro servicio a clientes. Si después de proceder de esta manera, los problemas no se han solucionado, póngase en contacto con:

Bosch Small Appliances Customer Support

BSH Home Appliances
5551 McFadden Avenue
Huntington Beach, CA 92649

o envíenos un e-mail a:

boschsmallappliances@bshg.com

o llámenos al teléfono:

**1 (866) 44BOSCH
[1 (866) 442-6724]**

Si Vd. nos escribe, rogamos incluya una dirección de e-mail o un teléfono que se pueda hablar durante el día en donde lo podemos contactar.

También puede visitarnos en el Web, para conocer nuestra línea de productos completa:

www.boschsmallappliances.com

Localización de fallos

Problema	Causa posible y solución
No hay energía.	Un interruptor o un fusible se han activado en el circuito de alimentación. Desactive el interruptor o cambie el fusible.
Hay energía en la unidad pero no ocurre nada cuando se gira de la llave giratoria.	La unidad de potencia sufrió una sobrecarga, por ejemplo se ha trabado la cuchilla de la licuadora. <ol style="list-style-type: none">1. Apague y desenchufe la unidad de potencia.2. Quite el contenido del accesorio y elimine lo que ha causado la traba.3. Vuelva a instalar el accesorio y arranque de nuevo.

Recetas simples

Salsa

Pique los ingredientes siguientes y colóquelos en la licuadora Bosch a velocidad 3 o 4.

1 a 4 pimientos secos (comience con uno y agregue más para dar más gusto)

1 diente de ajo

1/8 taza de agua

8 onzas de salsa de tomate (agregue la mitad)

Agregue a continuación:

1 1/2 cucharaditas de orégano

3/4 cucharaditas de comino

1 ramito de cilantro (o perejil) fresco

1 pizca de sal

agregue la segunda mitad de la salsa de tomates

- ❑ **Licue** todos los ingredientes a una velocidad de 1 o 2, hasta que quede homogéneo.

Pesto

1 taza (no apretada) llena de hojas de albahaca

1/2 tazas de parmesan rallado

1/3 a 1/2 taza de aceite de oliva (suficiente para lograr la consistencia deseada)

1 a 2 dientes de ajo

1/4 taza de maní sin cáscara

- ❑ **Tueste ligeramente** los maníes. Deje enfriar. Coloque el aceite de oliva en la licuadora o procesador de alimentos Bosch. Ponga en funcionamiento el equipo y agregue lentamente el queso parmesan, el ajo y las hojas de albahaca. Procese a velocidades de 1 o 2. Agregue los maníes y procese prolijamente.
- ❑ Sírvalo con pasta o aplíquelo sobre pan o galletas.

Licuados de fruta

2 tazas de jugo de fruta

2 tazas de fruta congelada

1/2 jarra de concentrado de jugo de fruta congelado

1 taza de yogur de fruta

1 a 2 tazas de hielo

1 banana fresca

- ❑ **Coloque** todos los ingredientes en la licuadora Bosch y licue hasta obtener una mezcla homogénea a velocidad 3 o 4. Experimente con distintas combinaciones de sabor como bayas o melón.

Pan francés

- 4 cucharadas de levadura seca
- 4 tazas de agua caliente
- 6 cucharadas de azúcar
- 2 cucharadas de sal
- 1 taza de aceite de oliva
- 10 a 12 tazas de harina (blanca o de trigo)
- 4 cucharadas de gluten

- ❑ **Coloque** todos los ingredientes en el cuenco de mezclar Bosch.
- ❑ **Amase prolijamente a velocidad** 1 o 2 (8 a 10 minutos). Deje leudar dentro del cuenco durante 10 minutos. Golpee 4 o 5 veces. Divida la masa en 3 o 4 panes o forme cuerpos redondos. Practique tajos en la parte superior mediante un cuchillo y cepille con clara de huevo. Deje leudar hasta el doble de su tamaño. Hornee 30 minutos a 400 °F.

Bizcochos de avena y chips de chocolate.

- 2 tazas de azúcar morena
- 1 taza de grasa
- 2 huevos
- 1 cucharadita de vainilla
- 1 ¾ tazas de harina
- 1 cucharadita de polvo de hornear
- ½ cucharadita de sal
- 3 tazas de avena arrollada
- 1 tazas de chips de chocolate

- ❑ Mezcle el azúcar morena, la grasa, los huevos y la vainilla en el cuenco de mezclar a velocidad 1 o 2. Agregue la harina, el polvo de hornear y la sal. Bata bien, remueva bien la avena arrollada y los chips de chocolate a mano. Coloque montículos de masa sobre una bandeja de hornear engrasada mediante una cuchara. Hornee a 350 °F por 8 a 10 minutos. Deje enfriar antes de quitar los bizcochos de la bandeja. Rinde 5 docenas.

Agradecimientos:

La recetas ejemplo listadas arriba fueron enviados por:

Salsa – Caroline Ciarelli, BSH Home Appliances

Pesto – Ideas para la cocina

Licuaos de fruta – Marni Arder, BSH Appliances

Pan francés – Ideas para la cocina

Bizcochos de avena y chips de chocolate – Ideas para la cocina.

Declaración de Garantía para Electrodomésticos ligeros BOSCH

BSH Home Appliances («Bosch») garantiza por un (1) año a partir de la fecha de venta al primer propietario todos los electrodomésticos ligeros nuevos respecto de defectos originados por diseño, materiales y fabricación.

Dentro del período de vigencia de la garantía, BOSCH reparará o reemplazará (según su opinión) gratuitamente cualquier electrodoméstico o parte del mismo que presente defectos en condiciones de uso y servicio domiciliario normal. Es responsabilidad del propietario llevar a reparar la unidad. A los efectos de la garantía, las unidades reparadas o reemplazadas y sus partes deben ser idénticas a las originales o bien tan semejantes como sea posible.

Si se requiere reparar el electrodoméstico BOSCH, dirigirse al servicio a clientes al 1-866-44-BOSCH. Las reparaciones de las unidades Bosch deben ser realizadas exclusivamente por técnicos calificados. Esta garantía está limitada al primer comprador consumidor y no es transferible. Se excluyen específicamente de esta garantía defectos o daños proveniente de accidente, alteración, uso inadecuado, abuso, instalación inadecuada, trabajos de servicio no autorizado o instalación en una frecuencia o voltaje de red diferente del especificado en la chapa de características y el uso para propósitos comerciales.

Dentro del marco de la ley esta garantía excluye sus reparaciones exclusivas, ya sea por negligencia u otro tipo. BOSCH no se hace responsable de ningún daño ocasionado o incidental, pérdidas o gastos. **ESTA GARANTÍA VALE EN LUGAR DE TODA OTRA GARANTÍA EXPLÍCITA. TODAS LAS GARANTÍAS IMPLICADAS POR LA LEY, SEAN DE COMERCIALIZACIÓN Y APTITUD PARA USOS PARTICULARES O DE OTRA CLASE SERÁN EFECTIVAS SÓLO DURANTE EL PERÍODO DE GARANTÍA. BOSCH NO ASUME RESPONSABILIDAD ALGUNA POR DAÑOS INCIDENTALES O DERIVADOS.**

No se reconocerá ningún intento de alterar, modificar o enmendar esta garantía, a menos que lo autorice por escrito un funcionario de BOSCH. Algunos estados no permiten limitaciones en la duración de la garantía o en las exclusiones o limitaciones de daños incidentales o derivados, de modo que las limitaciones y exclusiones precedentes pueden no tener aplicación para Usted. Esta garantía le da derechos legales específicos y Usted puede tener otros derechos que varían de estado a estado.



MUZ 4 MX 2
plastic blender



MUZ 4 MM 3
food processor



MUZ 4 DS 2
continuous shredder



MUZ 4 ZP 1
citrus juicer



MUZ 4 GM 3
grain mill w/steel grinder



MUZ 4 FW 1
meat grinder



MUZ 4 SV 1
fancy cookie attachment
(requires meat grinder)



MUZ 4 FV 1
fruit pulper
(requires meat grinder)



MUZ 4 RV 1
grater attachment
(requires meat grinder)



MUZ 4 EB 1
ice cream maker



MUZ 4 ZT 1
accessory holder



MUA 4 KR 3
plastic bowl



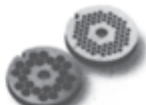
MUZ 4 PS 1
French fry disc for continuous shredder



MUZ 4 RS 1
Grater disc, coarse, for continuous shredder



MUZ 4 JS 1
Julienne disc for continuous shredder



MUZ 4 LS 1
3mm & 5mm meat grinding discs

NEW SERVICE AND REPAIR CONTACT INFORMATION

The Bosch Mixers, Universal Plus, Compact and Styline Machines require no special care other than the care and cleaning noted in the manual. If you are having a problem with your machine, before calling our Customer Support group, please refer to the TROUBLESHOOTING section.

If, after reviewing the troubleshooting section and trying its remedies, you are still having a problem, please do contact us either by phone or writing us at:

Bosch Customer Support

825 North Industrial Road
St. George, UT 84770

or e-mailing at:
service@lchefs.com

or by calling us at:
1 800 MY BOSCH (1-800-692-6734)

BSH HOME APPLIANCES

1901 Main Street, Suite 600
Irvine, CA 92614

or e-mailing at:
Bosch-USA-Questions@bshg.com

or call us at:
1-800-944-2904

If you do write us, please include your e-mail address or a day time telephone number where you may be reached.

To view a full line of our products, please visit our Web site:
www.boschkitchencenters.com



Thank you for buying a Bosch Home Appliance!

Register your new device on MyBosch now and profit directly from:

- **Expert tips & tricks for your appliance**
- **Warranty extension options**
- **Discounts for accessories & spare-parts**
- **Digital manual and all appliance data at hand**
- **Easy access to Bosch Home Appliances Service**

Free and easy registration – also on mobile phones:

www.bosch-home.com/welcome

BOSCH
HOME APPLIANCES
SERVICE

Looking for help? You 'll find it here.

Expert advice for your Bosch home appliances, need help with problems or a repair from Bosch experts.

Find out everything about the many ways Bosch can support you:

www.bosch-home.com/service

Contact data of all countries are listed in the attached service directory.

Robert Bosch Hausgeräte GmbH

Carl-Wery-Straße 34

81739 München

GERMANY

www.bosch-home.com



8001143116

(981129)