



**BOSCH**



Register your  
new device on  
MyBosch now and  
get free benefits:  
[bosch-home.com/  
welcome](https://bosch-home.com/welcome)

# Fridge-freezer

## KGF..

<b>en</b>	Instructions for use	Fridge-freezer	3
<b>it</b>	Istruzioni per l'uso	Frigorifero combinato	30

---

## en Table of contents

Safety and warning information .....	3	Max. freezing capacity .....	20
Information concerning disposal .....	6	Freezing and storing food .....	20
Scope of delivery .....	6	Freezing fresh food .....	21
Installation location .....	7	Super freezing .....	22
Observe ambient temperature and ventilation .....	7	Thawing frozen food .....	22
Connecting the appliance .....	8	Interior fittings .....	23
Getting to know your appliance .....	9	Sticker "OK" .....	23
Switching on the appliance .....	10	Switching off and disconnecting the appliance .....	24
Setting the temperature .....	11	Defrosting .....	24
Special functions .....	11	Cleaning the appliance .....	24
Alarm function .....	12	Light (LED) .....	25
Home Connect .....	13	Tips for saving energy .....	25
Usable capacity .....	17	Operating noises .....	26
Refrigerator compartment .....	18	Eliminating minor faults yourself .....	27
Super cooling .....	18	Appliance self-test .....	29
The VitaFresh compartment .....	19	Customer service .....	29
Freezer compartment .....	20		

---

## it Indice

Avvertenze di sicurezza e potenziale pericolo .....	30	Congelatore .....	48
Avvertenze per lo smaltimento .....	33	Max. capacità di congelamento .....	48
Dotazione .....	34	Congelare e conservare .....	49
Luogo d'installazione .....	34	Congelamento di alimenti freschi .....	49
Osservare la temperatura ambiente e la ventilazione .....	35	Super-congelamento .....	50
Collegare l'apparecchio .....	35	Decongelare surgelati .....	51
Conoscere l'apparecchio .....	36	Dotazione .....	52
Accensione dell'apparecchio .....	37	Adesivo «OK» .....	53
Regolare la temperatura .....	38	Spegner e mettere fuori servizio l'apparecchio .....	53
Funzioni speciali .....	38	Scongelo .....	53
Funzione di allarme .....	39	Pulizia dell'apparecchio .....	53
Home Connect .....	40	Illuminazione (LED) .....	54
Capacità utile totale .....	45	Risparmiare energia .....	55
Il frigorifero .....	46	Rumori di funzionamento .....	55
Super-raffreddamento .....	47	Eliminare piccoli guasti .....	56
Il vano VitaFresh .....	47	Autotest dell'apparecchio .....	58
		Servizio di assistenza clienti .....	58

## Safety and warning information

### Before you switch ON the appliance

Please read the operating and installation instructions carefully! They contain important information on how to install, use and maintain the appliance. The manufacturer is not liable if you fail to comply with the instructions and warnings. Retain all documents for subsequent use or for the next owner.

### Technical safety



Fire hazard

The tubes of the refrigeration circuit convey a small quantity of an environmentally friendly but flammable refrigerant (R600a). It does not damage the ozone layer and does not increase the greenhouse effect. If refrigerant escapes, it may injure your eyes or ignite.

### If damage has occurred

- Keep naked flames and/or ignition sources away from the appliance,
- thoroughly ventilate the room for several minutes,
- switch off the appliance and pull out the mains plug,
- inform customer service.

The more refrigerant an appliance contains, the larger the room must be in which the appliance is situated. Leaking refrigerant can form a flammable gas-air mixture in rooms which are too small. The room must be at least 1 m<sup>3</sup> per 8 g of refrigerant. The amount of refrigerant in your appliance is indicated on the rating plate inside the appliance.

When installing the appliance, ensure that the mains cable is not trapped or damaged.

If the power cord of this appliance is damaged, it must be replaced by the manufacturer, Customer Service or a similarly qualified person. Improper installations and repairs may put the user at considerable risk.

Repairs may be performed by the manufacturer, customer service or a similarly qualified person only.

Only original parts supplied by the manufacturer may be used. The manufacturer guarantees that only these parts satisfy the safety requirements.

Do not use multiple sockets, extension leads or adapters.



Fire hazard

Portable multiple outlets or power supplies may overheat, causing a fire.

Never leave portable multiple outlets or portable power supplies behind the appliance.

### **Important information when using the appliance**

- Never use electrical appliances inside the appliance (e.g. heaters, electric ice makers, etc.). Risk of explosion!
- Never defrost or clean the appliance with a steam cleaner! The steam may penetrate electrical parts and cause a short-circuit. Risk of electric shock!
- Do not use additional means to accelerate the defrosting process other than those recommended by the manufacturer. Risk of explosion!
- Do not use pointed or sharp-edged implements to remove frost or layers of ice. You might damage the refrigerant tubes. Leaking refrigerant may cause eye injuries or ignite.
- Do not store products which contain flammable propellant (e.g. spray cans) or explosive substances in the appliance. Risk of explosion!
- Do not stand on or lean heavily against the base of the appliance, drawers, doors, etc.
- For defrosting and cleaning, pull out the mains plug or switch off the fuse. Do not pull out the mains plug by tugging on the power cord.
- Store high-percentage alcohol tightly sealed and in an upright position.
- Keep plastic parts and the door seal free of oil and grease. Otherwise, plastic parts and the door seal will become porous.
- Never cover or block the ventilation openings of the appliance.
- Never put frozen food straight from the freezer compartment in your mouth. Risk of low-temperature burns!

## ■ **Avoiding placing children and vulnerable people at risk:**

At risk here are children, people who have limited physical, mental or sensory abilities, as well as people who have inadequate knowledge concerning safe operation of the appliance.

Check that children and vulnerable people have understood the hazards.

A person responsible for safety must supervise or instruct children and vulnerable people who are using the appliance.

Only children aged 8 years and above may use the appliance.

Supervise children while the appliance is being cleaned or maintained.

Never allow children to play with the appliance.

- Do not store bottled or canned liquids (especially carbonated drinks) in the freezer compartment. Bottles and cans may burst!
- Avoid prolonged touching of frozen food, ice or the evaporator pipes, etc.  
Risk of low-temperature burns!

## **Children in the household**

- Keep children away from packaging and its parts.  
Danger of suffocation from folding cartons and plastic film!
- Do not allow children to play with the appliance!
- If the appliance features a lock:  
keep the key out of the reach of children!

## **General regulations**

The appliance is suitable

- for refrigerating and freezing food,
- for making ice.

This appliance is intended for use in the home and the home environment.

The refrigeration circuit has been checked for leaks.

This appliance complies with the relevant safety regulations for electrical appliances and is fitted with noise suppression.

This appliance is intended for use up to a maximum height of 2000 metres above sea level.

---

## Information concerning disposal

### Disposal of packaging

The packaging protects your appliance from damage during transit. All utilised materials are environmentally safe and recyclable. Please help us by disposing of the packaging in an environmentally friendly manner.

Please ask your dealer or inquire at your local authority about current means of disposal.

### Disposal of your old appliance

Old appliances are not worthless rubbish! Valuable raw materials can be reclaimed by recycling old appliances.



This appliance is labelled in accordance with European Directive 2012/19/EU concerning used electrical and electronic appliances (waste electrical and electronic equipment - WEEE). The guideline determines the framework for the return and recycling of used appliances as applicable throughout the EU.

### Warning

Redundant appliances

1. Pull out the mains plug.
2. Cut off the power cord and discard with the mains plug.
3. Do not take out the trays and receptacles: children are therefore prevented from climbing in!
4. Do not allow children to play with the appliance once it has spent its useful life. Danger of suffocation!

Refrigerators contain refrigerant and gases in the insulation. Refrigerant and gases must be disposed of professionally. Ensure that tubing of the refrigerant circuit is not damaged prior to proper disposal.

---

## Scope of delivery

After unpacking all parts, check for any damage in transit.

If you have any complaints, please contact the dealer from whom you purchased the appliance or our customer service.

The delivery consists of the following parts:

- Free-standing appliance
- Interior fittings (depending on model)
- Bag containing installation materials
- Operating instructions
- Installation manual
- Customer service booklet
- Warranty enclosure
- Information on the energy consumption and noises

## Installation location

A dry, well ventilated room is suitable as an installation location. The installation location should not be exposed to direct sunlight and not placed near a heat source, e.g. a cooker, radiator, etc. If installation next to a heat source is unavoidable, use a suitable insulating plate or observe the following minimum distances from the heat source:

- 3 cm to electric or gas cookers.
- 30 cm to an oil or coal-fired cooker.

The floor of the installation location must not give way; if required, reinforce floor. If the floor is uneven, compensate with supports.

## Distance from wall

When installing the appliance, ensure that the door can be opened by 90°.

## Observe ambient temperature and ventilation

### Ambient temperature

The appliance is designed for a specific climate class. Depending on the climate class, the appliance can be operated at the following temperatures.

The climate class can be found on the rating plate. Fig. **12**

Climate class	Permitted ambient temperature
SN	+10 °C to 32 °C
N	+16 °C to 32 °C
ST	+16 °C to 38 °C
T	+16 °C to 43 °C

### Note

The appliance is fully functional within the room temperature limits of the indicated climatic class. If an appliance of climatic class SN is operated at colder room temperatures, the appliance will not be damaged up to a temperature of +5 °C.

## Ventilation

Fig. **2**

The air on the rear panel and on the side panels of the appliance heats up. Conduction of the heated air must not be obstructed. Otherwise, the refrigerating unit must work harder. This increases power consumption. Therefore: Never cover or block the ventilation openings!

---

## Connecting the appliance

After installing the appliance, wait at least 1 hour until the appliance is switched on. During transportation the oil in the compressor may have flowed into the refrigeration system.

Before switching on the appliance for the first time, clean the interior of the appliance (see chapter “Cleaning the appliance”).

### Electrical connection

The socket must be near the appliance and also freely accessible following installation of the appliance.

### Warning

Risk of electric shock!

If the length of the mains cable is inadequate, never use multiple sockets or extension leads. Instead, please contact Customer Service for alternatives.

The appliance complies with protection class I. Connect the appliance to 220–240 V/50 Hz alternating current via a correctly installed socket with protective conductor. The socket must be protected by a 10 A to 16 A fuse.

For appliances operated in non-European countries, check whether the indicated voltage and current type match the values of your electricity supply. This information can be found on the rating plate, Fig. **12**.

### Warning

Never connect the appliance to electronic energy saver plugs.

Our appliances can be used with mains and sine-controlled inverters. Mains-controlled inverters are used for photovoltaic systems which are connected directly to the national grid. Sine-controlled inverters must be used for isolated applications (e.g. on ships or in mountain lodges) which are not connected directly to the national grid.



# Getting to know your appliance



Please fold out the illustrated last page. These operating instructions refer to several models.

The features of the models may vary.

The diagrams may differ.

Fig. **1**

\* Not all models.

- A Refrigerator compartment
- B VitaFresh compartment
- C Freezer compartment

- 1–18 Controls
- 19\* Butter and cheese compartment
- 20 Shelf for small bottles
- 21 Shelf for large bottles
- 22 Light (LED)
- 23\* Bottle shelf
- 24\* Breakfast set
- 25 Partition with humidity controller
- 26 Vegetable container
- 27 “Cool-fresh” container
- 28 Frozen food container

## Controls

Fig. **4**

- 1 **Temperature display freezer compartment**  
The numbers correspond to the set freezer compartment temperatures in °C.
- 2 **Display ALARM**  
This lights up if the freezer compartment is too warm or if the freezer compartment door is open too long.
- 3 **Display superfreeze**  
This lights up if super freezing is in operation.
- 4 **Temperature display VitaFresh**  
Indicates the set temperature of the VitaFresh compartment.
- 5 **Display sabbath**  
This lights up when the Sabbath mode is switched on.
- 6 **Alarm display**  
This lights up if the refrigerator compartment door is open too long.
- 7 **Temperature display refrigerator compartment**  
The numbers correspond to the set refrigerator compartment temperatures in °C.
- 8 **Display supercool**  
This lights up if super cooling is in operation.
- 9 **Display vacation mode**  
This lights up when the vacation mode is switched on.
- 10 **Button “lock” function**  
If this function is switched on, no settings are possible via the controls.

## 11 **Button lock/alarm off**

This button is used to

- switch off the audible warning signal (see section "Alarm function")
- Switch the button lock on and off.

## 12 **Eco mode indicator**

This lights up when the eco mode is switched on.

## 13 **Selection button for appliance zone**

To make settings for one appliance zone, repeatedly press the selection button.

## 14 **Display ALARM**

This lights up if the appliance becomes too warm.

## 15 **Setting buttons +/-**

The buttons are used to set the temperatures of the refrigerator and freezer compartment.

## 16 **“super” button**

Is used to switch on the super cooling (refrigerator compartment) as well as super freezing (freezer compartment) functions (see chapter Super cooling or chapter Super freezing).

## 17 **Mode button**

For selecting the special functions. See chapter entitled “Special functions”.

## 18 **Display freshness mode**

This lights up when the freshness mode is switched on.

---

## Switching on the appliance

1. First insert the plug into the connection on the back of the appliance. Check that the plug has been inserted all the way.
2. Then insert the other end of the cable into the socket.

The appliance is now switched on and a warning signal sounds.

Press the lock/alarm off button to switch off the audible warning signal.

The ALARM display goes out when the appliance has reached the set temperature.

The preset temperatures are reached after several hours. Do not put any food in the appliance beforehand.

The factory has recommended the following temperatures:

- freezer compartment: -18°C
- VitaFresh compartment: 0 °C to 2 °C
- cooling compartment: +4°C

## Operating tips

- After the appliance has been switched on, it may take several hours until the set temperatures have been reached.
- The fully automatic NoFrost system ensures that the freezer section remains free of ice. Defrosting is no longer required.
- If the door cannot be immediately re-opened after it has been closed, wait until the resulting low pressure has equalised.

- The front and side panels of the housing are partly heated slightly. This prevents condensation from forming.

## Setting the temperature

Fig. 4

### Refrigerator compartment

The temperature can be set from +2 °C to +8 °C.

1. Press selection button 13 until refrigerator compartment display 7 is activated.
2. Keep pressing +/- buttons 14 until the required temperature is indicated.

Perishable food should not be stored above +4 °C.

### VitaFresh compartment

The temperature can be set from -1 °C to 3 °C.

1. Press selection button 13 until VitaFresh 4 display is activated.
2. Keep pressing +/- buttons until the required temperature is indicated.

### Freezer compartment

The temperature can be set from -16 °C to -24 °C.

1. Select the freezer compartment using the °C button.
2. Keep pressing the +/- buttons until the required temperature is indicated.

## Special functions

Fig. 4

### Fresh mode

Fresh mode gives food an even longer shelf life.

#### Switching on:

Press the mode button until the freshness mode display appears.

The appliance automatically sets the following temperatures:

- Refrigerator section: + 2 °C
- VitaFresh compartment: 0 °C
- Freezer section: remains unchanged

#### Switching off:

Press the mode button repeatedly until the freshness mode display goes off.

### Eco mode

Eco mode switches the appliance to energy-saving operation.

#### Switching on:

Press the mode button until the "eco mode" indicator appears.

The appliance automatically sets the following temperatures:

- Refrigerator section: +8 °C
- VitaFresh compartment: +3 °C
- Freezer section: -16 °C

#### Switching off:

Press the mode button until the "eco mode" indicator goes off.

## Holiday mode

If leaving the appliance for a long period of time, you can switch the appliance over to the energy-saving holiday mode.

When holiday mode is switched on, automatic super freezing is switched off.

The refrigerator compartment temperature is automatically switched to +14 °C.

Do not store any food in the refrigerator compartment during this time.

### Switching on:

Press the mode button repeatedly until the vacation mode display appears.

The appliance automatically sets the following temperatures:

- Refrigerator section: +14°C
- VitaFresh compartment: +14°C
- Freezer section: remains unchanged

### Note

"-" appears in the VitaFresh display.

### Switching off:

Press the mode button repeatedly until the vacation mode indicator goes off.

## Sabbath mode

When Sabbath mode is switched on, the following settings are switched off:


- Audible signals
- Interior lighting
- Messages on the display panel
- The background illumination of the display panel is reduced
- Buttons are locked
- Automatic super freezing

### Switching Sabbath mode on and off:

Press the super button for 15 seconds.

## Button lock function

To switch the button lock on and off, press the lock/alarm off button for 5 seconds.

When the function is switched on, the  display lights up.

The control panel is now protected against unintentional operation.

### Exception to the button lock:

The lock/alarm off button can be pressed to switch off the button lock or if an audible warning signal sounds.

---

## Alarm function

In the following cases an alarm may be actuated.

### Door alarm

The door alarm switches on and ALARM appears in the refrigerator compartment temperature display 7 or in the freezer compartment temperature display 1 if the door of the compartment is left open too long. Close the door of the compartment to switch off the door alarm.

### Temperature alarm

An interval tone sounds, ALARM appears on the temperature display of the freezer compartment 1.

The temperature alarm switches on if the freezer compartment is too warm and the frozen food is at risk of thawing.

The alarm may switch on without any risk to the frozen food in the following instances:

- when switching on the appliance for initial use.
- when large quantities of fresh food are placed in the appliance.

**Note**

Do not refreeze thawing or thawed food. Only ready meals (boiled or fried) may be refrozen.

No longer store the frozen produce for the max. storage period.

The temperature display indicates for 5 seconds the warmest temperature which was reached in the freezer compartment. Then the set temperature is displayed again.

**Switching off the alarm**

Press the lock/alarm off button to switch off the audible warning signal.

---

## Home Connect

This appliance is Wi-Fi-capable and can be remotely controlled using a mobile device.

**Note**

Wi-Fi is a registered trade mark of the Wi-Fi Alliance.

If the appliance is not connected to the home network, the appliance functions like a refrigerator without a network connection and can still be manually operated via the controls.

In order to use the Home Connect functions, connect the appliance with a Home Connect Wi-Fi dongle.

If there is no Home Connect Wi-Fi dongle included with your appliance, you can order this from customer service.

**Note**

Inserting and removing the plug on the rear side of the appliance is more difficult than expected. Ensure that the plug is completely plugged in.

Attach the Home Connect Wi-Fi dongle at a height of 1 metre.

**Notes**

- Please observe the safety instructions and warnings in these instructions for use. Ensure that these are also adhered to when you are operating the appliance using the Home Connect app and are not at home. Follow the instructions in the Home Connect app as well.
- Operation on the appliance always has priority over operation via the Home Connect app. During this time it is not possible to operate the appliance using the app.

## Home Connect setup

### Notes

- Observe the Home Connect supplementary sheet, which is available for download under <http://www.bosch-home.com> with the instructions. To do so, enter the E-number of your appliance in the search field.
- After switching on the appliance, wait at least two minutes until internal device initialisation is complete. Only then start setting up Home Connect.
- To make settings with Home Connect, the Home Connect app must be installed on your mobile device. Please observe the Home Connect documents supplied for doing this. Follow the steps specified by the app to make the settings.
- If the appliance is not operated for a long time, the Home Connect menu closes automatically. You can find information on how to open the Home Connect menu at the start of the appropriate sections.

### Automatic connection with the home network (WLAN)

If a WLAN router with WPS function is available, you can automatically connect the refrigerator to the home network.

1. Press the super button and the lock/ alarm off button simultaneously to open the Home Connect menu.

The display shows **Cn**.

#### Note

Press both buttons at exactly the same time. Button operation is locked if only the lock/alarm off button is pressed for a longer period. Press the lock/alarm off button again until the lock is deactivated.

2. Press the °C button repeatedly until the displays **AC** and **oF** are shown.

3. Press the + button.

The appliance is ready for automatic connection.

The display shows an animation for 2 minutes.

Follow the steps below during this period.

4. Activate the WPS function on the home network router (e.g. using the WPS/WLAN button; information on this topic can be found in the router documentation).

- If the connection is successful, **on** flashes in the refrigerator display.

You can now connect the refrigerator with the app.

- If the display shows **oF**, it was not possible to establish a connection.

Check whether the refrigerator is located within the range of the home network (WLAN).

Repeat the process or establish the connection manually.

### Manual connection with the home network (WLAN)

If the WLAN router present does not have a WPS function, or if this is unknown, you can manually connect the refrigerator with the home network.

1. Press the super button and the lock/ alarm off button simultaneously to open the Home Connect menu.

The display shows **Cn**.

#### Note

Press both buttons at exactly the same time. Button operation is locked if only the lock/alarm off button is pressed for a longer period. Press the lock/alarm off button again until the lock is deactivated.

2. Press the °C button repeatedly until the displays **SA** and **oF** are shown.
3. Press the + button.  
The appliance is ready for manual connection.  
The display shows an animation for 5 minutes.  
Follow the steps below during this period.
4. The refrigerator has now set up its own WLAN network with the network name **HomeConnect**.

You can now access this network with your mobile device.

5. Open the settings menu of the mobile device and call up the WLAN settings.
6. Connect the mobile device with the WLAN network **HomeConnect**.

Password: **HomeConnect**

It can take up to 60 seconds to establish the connection.

7. After successful connection, open the Home Connect app on the mobile device.  
The app will search for the refrigerator.
8. As soon as the refrigerator has been found, enter the network name (SSID) and the password (Key) of your own home network (WLAN) into the corresponding fields.
9. Confirm with the button **Transmit to domestic appliances**.

- If the connection is successful, **on** flashes in the refrigerator display.

You can now connect the refrigerator with the app.

- If the display shows **oF**, it was not possible to establish a connection.  
Enter the password again, ensuring that it is spelt correctly.  
Check whether the refrigerator is located within the range of the home network (WLAN).  
Repeat the process.

### Connecting the refrigerator to the Home Connect app

Once the connection between the refrigerator and the home network has been established, you can connect the refrigerator to the app.

1. Press super button and lock/alarm off button simultaneously to open the Home Connect menu.  
The display shows **Cn**.

#### Note

Press both buttons at exactly the same time. Button operation is locked if only the lock/alarm off button is pressed for a longer period. Press lock/alarm off button again until the lock is deactivated.

2. Press °C button repeatedly until the displays **PA** (pairing = connect with app) and **oF** are shown.
3. Press + button to connect the appliance with the app.  
The display shows an animation.  
As soon as the refrigerator and the app are connected, the display shows **on**.

4. Open the app and wait until the refrigerator is displayed.  
Use **Add** to confirm the connection between the app and the refrigerator.  
If the refrigerator is not automatically displayed, click on **Add appliance** in the app and follow the instructions. As soon as your refrigerator is displayed, add it with **+**.
5. Follow the instructions in the app until the process is complete.
  - The displays show **PA** and **on**.  
The refrigerator has been successfully connected to the app.
  - If the connection has failed, please check whether the mobile device is connected to the home network (WLAN).  
Then connect the refrigerator to the app again.
  - When the display shows **Er**, reset the Home Connect settings and perform set-up again from the beginning.

### Verify signal strength

You should verify the signal strength if no connection can be established.

1. Press the super button and the lock/ alarm off button simultaneously to open the Home Connect menu.

The display shows **Cn**.

#### Note

Press both buttons at exactly the same time. Button operation is locked if only the lock/alarm off button is pressed for a longer period. Press the lock/alarm off button again until the lock is deactivated.

2. Press the °C button repeatedly until the display shows **SI**. In the second display, a value appears between 0 (no reception) and 3 (full reception).

#### Note

The signal strength should be at least 2. If the signal strength is too low, the connection could be interrupted. Place the router and the refrigerator closer together, ensure that the connection is not disturbed by shielding walls or install a repeater to strengthen the signal.

### Resetting Home Connect settings

If the connection process does not work or you would like to log the refrigerator on to a different home network (WLAN), you can reset the Home Connect settings:

1. Press the super button and the lock/ alarm off button simultaneously to open the Home Connect menu.

The display shows **Cn**.

#### Note

Press both buttons at exactly the same time. Button operation is locked if only the lock/alarm off button is pressed for a longer period. Press the lock/alarm off button again until the lock is deactivated.

2. Press the °C button repeatedly until the displays **rE** and **oF** are shown.
3. Press the + button.

- The display shows a short animation and then again **oF**.

The Home Connect settings have been reset.

- If the display shows **Er**, start the reset again or call customer service.



## Customer Service access

If you contact Customer Service, they can access your appliance and view its status after you have given your consent. You need to have your appliance connected to your home network for this.

Further information about Customer Service access and its availability in your country is available under [www.home-connect.com](http://www.home-connect.com) in the Help & Support area.

1. Contact Customer Service.
2. Confirm the start of Customer Service access in the app.

During Customer Service access the symbol CS appears on the control panel.

3. As soon as Customer Service has obtained the necessary data, they end access.

### Note

You can interrupt remote diagnosis early by switching off Customer Service access in the Home Connect app.

## Information on data protection

When your Home Connect refrigerator is connected for the first time to a WLAN network that is connected to the Internet, your refrigerator transmits the following categories of data to the Home Connect server (initial registration):

- Unique appliance identification (consisting of appliance codes as well as the MAC address of the installed Wi-Fi communication module).
- Security certificate of the Wi-Fi communication module (to ensure a secure IT connection).
- The current software and hardware version of your refrigerator.

- Status of any possible previous resetting to factory settings.

This initial registration prepares the Home Connect functions for use and is required only when you want to use Home Connect for the first time.

### Note

Please note that the Home Connect functions can only be utilized with the Home Connect app. You can call up information on data protection in the Home Connect app.

## Declaration of Conformity

Robert Bosch Hausgeräte GmbH hereby declares that the appliance with Home Connect functionality meets the essential requirements and the other relevant provisions of the Directive 2014/53/EU.

A detailed RED Declaration of Conformity can be found online at <http://www.bosch-home.com> among the additional documents on the product page for your appliance.



2.4 GHz band: 100 mW max.

---

## Usable capacity

Information on the usable capacity can be found inside your appliance on the rating plate. Fig. **12**

## Fully utilising the freezer volume

To place the maximum amount of frozen food in the freezer compartment, you can remove the containers. You can then stack the food directly on the shelf and on the floor of the freezer compartment.

### Note

Avoid contact between food and rear panel. Otherwise the air circulation will be impaired.

Food or packaging could freeze to the rear panel.

### Removing the fittings

Pull out the frozen food container all the way, lift at the front and remove. Fig. **9**

---

## Refrigerator compartment

The refrigerator compartment is the ideal storage location for meat, sausage, fish, dairy products, eggs, ready meals and pastries.

### Storing food

- Store fresh, undamaged food. The quality and freshness will then be retained for longer.
- In the case of ready-made products and bottled goods, observe the best-before date or use-by date specified by the manufacturer.
- To retain aroma, colour and freshness, pack or cover food well before placing in the appliance. This will prevent the transfer of flavours and the discolouration of plastic parts in the refrigerator compartment.

- Allow warm food and drinks to cool down before placing in the appliance.

### Note

Do not block air outlet openings with food, otherwise the air circulation will be impaired. Food which is stored directly in front of the air outlet openings may be frozen by the cold air flowing out.

### Note the chill zones in the refrigerator compartment

The air circulation in the refrigerator compartment creates different chill zones:

- The coldest zones are in front of the air outlet openings and in the chill compartment, Fig. **11**/26.

### Note

Store perishable food (e.g. fish, sausage, meat) in the coldest zones.

- Warmest zone is at the very top of the door.

### Note

Store e.g. hard cheese and butter in the warmest zone. The aroma of hard cheese can then continue to develop and butter remains spreadable.

---

## Super cooling

Super cooling sets the refrigerator temperature to the coldest temperature setting for approx. 6 hours. Then the appliance automatically switches to the temperature set prior to super cooling mode.

Switch on super cooling mode, e.g.

- before placing large quantities of food in the refrigerator compartment.
- for the fast cooling of drinks.

## Switching on and off

Fig. 4

1. Select the refrigerator section using the °C button.
2. Press super button.

The supercool indicator lights up.

You do not need to switch off super cooling. After 6 hours the previously set temperature will be automatically restored.

### Note

When super cooling is switched on, increased operating noises may occur.

---

## The VitaFresh compartment

The temperature in the cool-fresh compartment is about 0 °C. The low temperature and the optimum moisture provide ideal storage conditions for fresh food.

Food can be kept fresh up to three times longer in the cool-fresh compartment than in the normal cooling zone – for even longer freshness, nutrient retention and flavour.

## Vegetable container

Fig. 7

The vegetable container is the optimum storage location for fresh fruit and vegetables. The humidity controller of the partition and a special seal can be used to adjust the air humidity in the vegetable container.

The air humidity in the vegetable container can be set according to the type and amount of products to be stored:

- Mainly fruit as well as for a large load – lower air humidity
- Mainly vegetables as well as for a mixed load or small load – higher air humidity

### Notes

- Fruit sensitive to cold (e.g. pineapple, banana, papaya and citrus fruit) and vegetables sensitive to cold (e.g. aubergines, cucumbers, zucchini, peppers, tomatoes and potatoes) should be stored outside the refrigerator at temperatures of approx. +8 °C to +12 °C for optimum preservation of quality and flavour.
- Condensation may form in the vegetable container depending on the food and quantity stored. Remove condensation with a dry cloth and adjust air humidity in the vegetable container with the humidity controller.

## “Cool-fresh” container

Fig. 1/26

The storage climate in the “cool-fresh” container offers ideal conditions for the storage of fish, meat, sausage, cheese and milk.

## Storage times (at 0 °C)

---

### Depending on the initial quality

Fresh fish, seafood	up to 3 days
Poultry, meat (boiled/fried)	up to 5 days
Beef, pork, lamb, sausage (cold meat)	up to 7 days
Smoked fish, broccoli	up to 14 days
Salad greens, fennel, apricots, plums	up to 21 days
Soft cheese, yoghurt, quark, buttermilk, cauliflower	up to 30 days

---

---

## Freezer compartment

### Use the freezer compartment

- To store deep-frozen food.
- To make ice cubes.
- To freeze food.

#### Note

Ensure that the freezer compartment door has been closed properly. If the door is open, the frozen food will thaw. The freezer compartment will become covered in thick ice. Also: waste of energy due to high power consumption!

---

## Max. freezing capacity

Information about the max. freezing capacity within 24 hours can be found on the rating plate. Fig. 12

### Prerequisites for max. freezing capacity

- Switch on super freezing before placing fresh products in the compartment (see chapter entitled “Super freezing”).
- Remove containers; stack food directly on the shelf and on the floor of the freezer compartment.
- Freeze large quantities of food preferably in the very top compartment where food freezes particularly quickly and therefore also gently.

---

## Freezing and storing food

### Purchasing frozen food

- Packaging must not be damaged.
- Use by the “use by” date.
- Temperature in the supermarket freezer must be -18 °C or lower.
- If possible, transport deep-frozen food in an insulated bag and place quickly in the freezer compartment.

### Note when loading products

- Freeze large quantities of food preferably in the top frozen food container. This is where food freezes particularly quickly and therefore also gently.
- Place the food over the whole area of the compartments or the frozen food containers.

#### Note

Food which is already frozen must not come into contact with the food which is to be frozen. If necessary, re-stack frozen food in the frozen food containers.

- To ensure air circulation in the appliance, insert frozen food container all the way.

### Freezing smaller amounts of food

How you freeze smaller amounts of food, so that they are frozen solid extremely quickly, can be found in the section Automatic super freezing.

## Freezing fresh food

Freeze fresh and undamaged food only.

To retain the best possible nutritional value, flavour and colour, vegetables should be blanched before freezing. Aubergines, peppers, zucchini and asparagus do not require blanching.

Literature on freezing and blanching can be found in bookshops.

### Note

Keep food which is to be frozen away from food which is already frozen.

- The following foods are suitable for freezing:  
Cakes and pastries, fish and seafood, meat, game, poultry, vegetables, fruit, herbs, eggs without shells, dairy products such as cheese, butter and quark, ready meals and leftovers such as soups, stews, cooked meat and fish, potato dishes, soufflés and desserts.
- The following foods are not suitable for freezing:  
Types of vegetables, which are usually consumed raw, such as lettuce or radishes, eggs in shells, grapes, whole apples, pears and peaches, hard-boiled eggs, yoghurt, soured milk, sour cream, crème fraîche and mayonnaise.

## Packing frozen food

To prevent food from losing its flavour or drying out, place in airtight containers.

1. Place food in packaging.
2. Remove air.
3. Seal the wrapping.
4. Label packaging with contents and date of freezing.

### Suitable packaging:

Cling wrap, tubular film made of polyethylene, aluminium foil, freezer containers.

These products are available from specialist outlets.

### Unsuitable packaging:

Wrapping paper, greaseproof paper, cellophane, bin liners and used shopping bags.

### Items suitable for sealing packaged food:

Rubber bands, plastic clips, string, cold-resistant adhesive tape, etc.

Bags and tubular film made of polyethylene (PE) can be sealed with a film heat sealer.

## Shelf life of frozen food

Storage duration depends on the type of food.

At a temperature of -18 °C:

- Fish, sausage, ready meals and cakes and pastries:  
up to 6 months
- Cheese, poultry and meat:  
up to 8 months
- Vegetables and fruit:  
up to 12 months

---

## Super freezing

Food should be frozen solid as quickly as possible in order to retain vitamins, nutritional value, appearance and flavour.

The appliance runs constantly when super freezing has been switched on. The freezer compartment temperatures are much lower than in normal operation.

### Switching on super freezing

Depending on the amounts of food to be frozen, you can use super freezing in different ways.

#### Note

When super freezing is switched on, increased operating noises may occur.

#### Automatic super freezing

Smaller amounts of food are frozen solid extremely quickly if you freeze them as follows:

- In the bottom frozen food container
- On left

Automatic super freezing automatically switches on when warm food items are placed inside the freezer.

#### Manual super freezing

Fig. 4

Freeze larger quantities of food preferably in the top compartment. This is where food freezes particularly quickly and therefore also gently.

Several hours before placing fresh food in the freezer compartment, switch on super freezing to prevent an unwanted temperature rise.

If the max. freezing capacity is to be used, super freezing must be switched on 24 hours before the fresh products are placed in the freezer compartment.

1. Select the freezer compartment area with °C button.
2. Press super button.

The superfreeze indicator will be lit.

### Switching off super freezing

Fig. 4

1. Select the freezer compartment area with °C button.
2. Press super button.

The superfreeze display goes out.

Super freezing is now switched off.

When super freezing has finished, the appliance automatically switches to normal mode.

- With automatic super freezing: As soon as the smaller amounts of food to be frozen have frozen solid.
- With manual super freezing: After approx. 2½ days.

---

## Thawing frozen food

Depending on the type and application, select one of the following options:

- at room temperature
- in the refrigerator
- in an electric oven, with/without fan assisted hot-air
- in the microwave



#### Caution

Do not refreeze thawing or thawed food. Only ready meals (boiled or fried) may be refrozen.

No longer store the frozen produce for the max. storage period.

---

## Interior fittings

### Shelves and containers

You can reposition the inner shelves and the containers in the door as required: pull shelf forwards, lower and swivel out to the side. Lift the container and remove.

### Special features

(not all models)

#### Butter and cheese compartment

To open the butter compartment, gently press in the middle of the butter compartment flap.

To clean the compartment, lift it at the bottom and take out.

#### Breakfast set

Fig. 5

The containers for the breakfast set can be taken out and filled individually.

You can take out the breakfast set for loading and unloading. To do this, lift the breakfast set and pull out. The container holder can be moved.

#### Bottle shelf

Fig. 6

Bottles can be stored securely on the bottle shelf.

#### Ice cube tray

Fig. 11

1. Fill the ice cube tray  $\frac{3}{4}$  full of drinking water and place in the freezer compartment.
2. If the ice tray is stuck to the freezer compartment, loosen with a blunt implement only (spoon-handle).
3. To loosen the ice cubes, twist the ice tray slightly or hold briefly under flowing water.

### Freezer calendar

Fig. 10

To prevent the quality of the frozen food from deteriorating, do not exceed the storage duration. The figures next to the symbols indicate the permitted storage period of the produce in months. In the case of commercially available frozen food observe the date of manufacture or use-by date.

#### Ice block

If a power failure or malfunction occurs, the ice blocks can be used to slow down the thawing process. The longest storage time is obtained by placing the ice pack on the food in the top compartment.

The ice blocks can also be used to cool food temporarily, e. g. in a cold bag.

---

## Sticker “OK”

(not all models)

The sticker “OK” lets you check whether the refrigerator compartment achieves the safe temperature ranges of +4 °C or colder recommended for food. If the sticker does not indicate “OK”, gradually reduce the temperature.

#### Note

When the appliance is switched on, it may take up to 12 hours until the set temperature is reached.



#### Correct setting

---

## Switching off and disconnecting the appliance

### Switching off the appliance

Press "+" button for 10 seconds.  
Refrigeration unit switches off.

### Disconnecting the appliance

If you do not use the appliance for a prolonged period:

1. Pull out the mains plug or switch off the fuse.
2. Clean the appliance.
3. Leave appliance doors open.

#### Note

To avoid damage to the appliance, appliance doors must be opened far enough that they remain in that position on their own. Do not jam any objects into the door to prop it open.

---

## Defrosting

### Refrigerator compartment

While the appliance is in operation, condensation droplets or frost form on the back panel of the cooling compartment. As the rear panel defrosts automatically, it is not necessary to remove the frost or the condensation droplets.

### Freezer compartment

The fully automatic NoFrost system ensures that the freezer compartment remains free of ice. Defrosting is no longer required.

---

## Cleaning the appliance

### Caution

- Do not use abrasive, chloride or acidic cleaning agents or solvents.
- Do not use scouring or abrasive sponges.  
The metallic surfaces could corrode.
- Never clean shelves and containers in the dishwasher.  
The parts may become deformed!

### The cleaning water must not get into the following areas:

- Controls
- Illumination
- Ventilation openings
- Openings in the separating plate

### Proceed as follows:

1. Pull out the mains plug or switch off the fuse.
2. Take out the frozen food and store in a cool location. Place ice pack (if available) on the food.
3. The rinsing water must not drip into the controls, lighting, ventilation openings or the openings in the partition!  
Clean the appliance with a soft cloth, lukewarm water and a little pH-neutral washing-up liquid.
4. Wipe the door seal with clear water only and then wipe dry thoroughly.
5. After cleaning reconnect the appliance.
6. Put the frozen food back into the appliance.



## Features

All variable parts of the appliance can be taken out for cleaning.

### Note

The separating plate between the refrigerator compartment and the VitaFresh compartment is permanently fixed. To prevent any damage to the appliance, this may only be removed by customer service or authorized specialists.

### Take out shelves in the door

Fig. 3

Lift shelves upwards and take out.

### Take out glass shelves

Pull the glass shelves forwards and take out.

### Removing the container

Fig. 8

Pull out the container all the way and lift to detach it.

To insert the container, place on the telescopic rails and push into the appliance. Attach the container by pressing it down.

### Taking out the frozen food container

Fig. 9

Pull out the frozen food container all the way, lift at the front and remove.

---

## Light (LED)

Your appliance features a maintenance-free LED light.

These lights may be repaired by customer service or authorised technicians only.

---

## Tips for saving energy

- Install the appliance in a dry, well ventilated room! The appliance should not be installed in direct sunlight or near a heat source (e.g. radiator, cooker).  
If required, use an insulating plate.
- Allow warm food and drinks to cool down before placing in the appliance.
- Thaw frozen food in the refrigerator compartment and use the low temperature of the frozen food to cool refrigerated food.
- Open the appliance as briefly as possible.
- To achieve the lowest energy consumption, leave a small wall gap at the side.
- The arrangement of the fittings does not affect the energy rating of the appliance.

## Operating noises

### Note

When super freezing is switched on, increased operating noises may occur.

### Quite normal noises

#### Droning

Motors are running (e.g. refrigeration units, fan). There may be an increase in operating noise when ambient temperatures are high.

#### Bubbling, humming or gurgling noises

Refrigerant is flowing through the tubing.

#### Clicking

Motor, switches or solenoid valves are switching on/off.

#### Cracking

Automatic defrosting is running.

### Preventing noises

#### The appliance is not level

Please align the appliance with a spirit level. Use the height-adjustable feet or place packing underneath them.

#### The appliance is not free-standing

Please move the appliance away from adjacent units or appliances.

#### Containers or storage areas wobble or stick

Please check the removable parts and re-insert them correctly if required.

#### Bottles or receptacles are touching each other

Move the bottles or receptacles slightly away from each other.

## Eliminating minor faults yourself

Before you call customer service:

Please check whether you can eliminate the fault yourself based on the following information.

Customer service will charge you for advice – even if the appliance is still under guarantee!

Fault	Possible cause	Remedial action
Temperature differs greatly from the set value.		<p>In some cases it is adequate to switch off the appliance for 5 minutes.</p> <p>If the temperature is too high wait a few hours and check whether the temperature has approached the set value.</p> <p>If the temperature is too low check the temperature again the next day.</p>
The light does not function.	<p>The LED light is defective.</p> <hr/> <p>Appliance was open too long.</p> <p>Light is switched off after approx. 10 min.</p>	<p>See chapter “Light (LED)” section.</p> <hr/> <p>When the appliance is closed and opened, the light is on again.</p>
Displays do not illuminate.	<p>Power failure; the fuse has been switched off; the mains plug has not been inserted properly.</p>	<p>Connect mains plug. Check whether the power is on, check the fuses.</p>
It is too cold in the cooling compartment or the VitaFresh compartment.		<p>Increase the temperature in the cooling compartment.</p> <hr/> <p>Increase the temperature in the VitaFresh compartment.</p>
The temperature in the freezer compartment is too warm.	<p>Appliance opened frequently.</p> <hr/> <p>The ventilation openings have been covered.</p> <hr/> <p>Large quantities of fresh food are being frozen.</p>	<p>Do not open the appliance unnecessarily.</p> <hr/> <p>Remove obstacles.</p> <hr/> <p>Do not exceed max. freezing capacity.</p>

Fault	Possible cause	Remedial action
Appliance is not cooling, temperature display and light are lit.	Showroom mode is switched on.	Press and hold °C button and <b>+</b> setting button for 5 seconds until an acknowledgement signal sounds. Another acknowledgement signal sounds when the buttons are released.  After a short time check whether your appliance is cooling.
The side panels of the appliance are warm.	Pipes run into the side panels which heat during the cooling process.	That is normal behaviour for the appliance and not a fault.  Furniture touching the appliance will not be damaged by the heat.
Freezer compartment door was open for a long time; temperature is no longer reached.	The evaporator (refrigeration generator) in the NoFrost system is covered in thick ice and can no longer be defrosted fully automatically.	To defrost the evaporator, remove the frozen food with the compartments, insulate well and store in a cool location.  Switch off the appliance and move it away from the wall. Leave the appliance door open.  After approx. 20 min. the condensation begins to run into the evaporation pan, at the rear of the appliance.  To prevent the evaporation pan from overflowing in this case, mop up the condensation with a sponge.  The evaporator is defrosted when the water stops running into the evaporation pan. Clean the interior. Switch the appliance back on again.
Automatic super freezing does not switch on.		The appliance decides independently whether automatic Super freezing is required and automatically switches it on or off.
The following settings are switched off:  ■ Audible signals ■ Interior lighting ■ Messages on the display panel ■ Automatic super freezing  The background illumination of the display panel is reduced.  Buttons are locked.	Sabbath mode is switched on.	Press super button for 15 seconds.

## Appliance self-test

Your appliance features an automatic self-test program which shows you sources of faults which may be repaired by customer service only.

### Starting the appliance self-test

1. Switch off the appliance and wait 5 minutes.
2. Switch on the appliance and within the first 10 seconds, press and hold the °C button and the "-" setting button for 3–5 seconds until an audible signal sounds.

The self-test programme starts.

When the self-test ends and an audible signal sounds twice, your appliance is in working order.

If 5 audible signals sound, there is an error. Inform customer service.

### Ending the appliance self-test

When the programme has ended, the appliance switches over to normal operation.

## Customer service

Your local customer service can be found in the telephone directory or in the customer-service index. Please provide customer service with the appliance product number (E-Nr.) and production number (FD-Nr.).

This information can be found on the rating plate. Fig. **12**

To prevent unnecessary call-outs, please assist customer service by quoting the product and production numbers. This will save you additional costs.

### Repair order and advice on faults

Contact information for all countries can be found on the enclosed customer service list.

GB	0344 892 8979	Calls charged at local or mobile rate.
IE	01450 2655	0.03 € per minute at peak. Off peak 0.0088 € per minute.
US	800 944 2904	toll-free

## Avvertenze di sicurezza e potenziale pericolo

### Prima di mettere in funzione l'apparecchio

Leggere attentamente tutte le istruzioni per l'uso ed il montaggio. Esse contengono importanti informazioni per l'installazione, l'uso e la manutenzione dell'apparecchio.

Il produttore non è responsabile se voi trascurate le indicazioni ed avvertenze del libretto d'istruzioni per l'uso.

Conservare tutta la documentazione per l'uso futuro oppure per eventuali successivi proprietari.

### Elementi tecnici di sicurezza



Pericolo di incendio

Nei tubi del circuito di raffreddamento scorre una piccola quantità di refrigerante non inquinante, ma infiammabile (R600a). Non danneggia lo strato di ozono e non aumenta l'effetto serra. In caso di fuoriuscita, il refrigerante può ferire gli occhi o incendiarsi.

### In caso di danni:

- tenere lontano dall'apparecchio fiamme o fonti di accensione,
- ventilare l'ambiente per alcuni minuti,
- spegnere l'apparecchio ed estrarre la spina di alimentazione elettrica,
- informare il Servizio Assistenza Clienti autorizzato.

La quantità di gas refrigerante contenuta nel vostro apparecchio, circa 8 gr. è indicata nella targhetta d'identificazione posta all'interno dell'apparecchio. Nel caso in cui il cavo di collegamento elettrico dovesse subire danni, è necessario sostituirlo, coinvolgere il servizio assistenza clienti autorizzato o un elettricista qualificato ad eseguire questa operazione.

Durante l'installazione dell'apparecchio prestare attenzione che il cavo di alimentazione non resti incastrato e non si danneggi.

Se il cavo di alimentazione di questo apparecchio subisce danni, deve essere sostituito dal produttore, dal suo servizio di assistenza clienti o da persona in possesso di simile qualifica. Le installazioni e le riparazioni eseguite in modo non corretto possono mettere l'utente in grave pericolo.

Le riparazioni vanno eseguite dal servizio assistenza clienti autorizzato o da personale qualificato ad eseguire questa operazione.

È consentito usare solo parti di ricambio originali del costruttore. Solo con l'impiego di detti componenti il costruttore garantisce che i requisiti di sicurezza del prodotto siano rispettati.

Non utilizzare prese multiple, prolunghe o adattatori.



Pericolo di incendio

Le prese multiple portatili o gli alimentatori portatili possono surriscaldarsi e provocare un incendio.

Non collocare prese multiple portatili o alimentatori portatili dietro l'apparecchio.

## Nell'impiego quotidiano

- Non introdurre mai apparecchi elettrici all'interno di questo elettrodomestico (es. apparecchi di riscaldamento, produttori di ghiaccio elettrici ecc.). Pericolo di esplosione!
- Non sbrinare o pulire mai l'apparecchio con una pulitrice a vapore! Il vapore può raggiungere parti elettriche e provocare un cortocircuito. Pericolo di scossa elettrica!
- A parte le indicazioni del produttore non adottare ulteriori misure per accelerare lo sbrinamento. Pericolo di esplosione!
- Non utilizzare oggetti appuntiti o affilati per rimuovere la brina o il ghiaccio. Si rischia di danneggiare i tubi del refrigerante. Il refrigerante fuoriuscito può incendiarsi o provocare lesioni agli occhi.
- Non conservare nell'apparecchio prodotti contenenti gas propellenti combustibili (per es. bombolette spray) e sostanze esplosive. Pericolo di esplosione!
- Non usare impropriamente lo zoccolo, i cassettei estraibili, le porte ecc. come predellino o come sostegno.

- Per lo sbrinamento e la pulizia estrarre la spina d'alimentazione o disinserire l'interruttore di sicurezza. Estrarre la spina di alimentazione, non tirare il cavo di collegamento.
  - Conservare l'alcol ad alta gradazione soltanto in contenitori ermetici e in posizione verticale.
  - Evitare che oli o grassi imbrattino parti plastiche e le guarnizioni delle porte. Altrimenti le parti plastiche e le guarnizioni delle porte diventano porose.
  - Evitare assolutamente di coprire o di ostruire le aperture di afflusso e deflusso dell'aria.
  - Non conservare nel congelatore liquidi in bottiglia e lattine (specialmente le bevande contenenti anidride carbonica). Bottiglie e lattine possono scoppiare!
  - Evitare il contatto prolungato delle mani con alimenti congelati, ghiaccio o i tubi dell'evaporatore ecc. Pericolo di ustioni da freddo!
- **Per prevenire pericoli per bambini e persone a rischio:**

Sono esposti a pericolo i bambini e le persone con limiti fisici, psichici o percettivi e le persone sprovviste di sufficiente conoscenza sull'utilizzo sicuro dell'apparecchio.

Accertarsi che i bambini e le persone a rischio abbiano compreso i pericoli.

Una persona responsabile della sicurezza è tenuta a sorvegliare o istruire i bambini e le persone a rischio in rapporto con l'apparecchio.

Permettere l'uso dell'apparecchio solo a bambini di età di 8 anni o superiore.

Sorvegliare i bambini durante la pulizia e la manutenzione.

Non permettere che i bambini giochino con l'apparecchio.
  - Non mettere in bocca alimenti congelati appena presi dal congelatore. Pericolo di ustioni da freddo!



## Bambini in casa

- Non abbandonare parti dell'imballaggio che possano essere fonte di gioco per i bambini.  
Pericolo di soffocamento causato da scatole di cartone, fogli di plastica, polistirolo!
- L'apparecchio non è un giocattolo per bambini!
- Per apparecchi con serratura della porta:  
conservare la chiave fuori della portata dei bambini!

## Norme generali

L'apparecchio è idoneo

- per raffreddare e congelare alimenti,
- per preparare ghiaccio.

Questo apparecchio è destinato all'uso domestico privato nelle famiglie ed all'ambiente domestico.

La tenuta ermetica del circuito del freddo è stata controllata.

Questo apparecchio è conforme alle vigenti norme di sicurezza per le apparecchiature elettriche ed è schermato contro i radiodisturbi.

Questo apparecchio è progettato solo per l'utilizzo fino ad un'altezza di massimo 2000 metri sul livello del mare.

## Avvertenze per lo smaltimento

### Smaltimento dell'imballaggio

L'imballaggio ha protetto l'apparecchio da eventuali danni da trasporto. Tutti i materiali impiegati sono Eco-Compatibili e riciclabili. Il Vostro contributo: smaltite l'imballaggio secondo la vigenti norme.

Chiedere informazioni circa le piattaforme di smaltimento locale alla propria amministrazione comunale.

### Rottamazione di un apparecchio dismesso

Gli apparecchi dismessi dispongono ancora di un valore residuo! Un corretto smaltimento nel rispetto dell'ecologia, permette di recuperare materie prime pregiate.



Questo apparecchio dispone di contrassegno ai sensi della direttiva europea 2012/19/UE in materia di apparecchi elettrici ed elettronici (waste electrical and electronic equipment - WEEE).

Questa direttiva definisce le norme per la raccolta e il riciclaggio degli apparecchi dismessi valide su tutto il territorio dell'Unione Europea.

## **Avviso**

In caso di apparecchi fuori uso

1. Estrarre la spina di alimentazione.
2. Troncare il cavo elettrico di collegamento e rimuoverlo unitamente alla spina.
3. Non estrarre i ripiani e i contenitori, questo rende più difficile ai bambini di entrare nel vano frigo dell'apparecchio!
4. Vietare ai bambini di giocare con un apparecchio dismesso. Pericolo di asfissia!

I frigoriferi contengono gas nel circuito refrigerante e gas nell'isolamento. Refrigerante e gas devono essere smaltiti in modo appropriato. Evitare di danneggiare i raccordi del circuito refrigerante, durante il conferimento dell'apparecchio alla piattaforma di riciclaggio.

## **Dotazione**

Dopo il disimballo controllare l'apparecchio per accertare eventuali danni di trasporto.

In caso di contestazioni rivolgersi al Vs. fornitore, presso il quale l'apparecchio è stato acquistato.

La dotazione comprende i seguenti componenti:

- Apparecchio
- Accessori (a secondo del modello)
- Busta con il materiale utile al montaggio
- Istruzioni per l'uso

- Istruzioni per il montaggio
- Libretto del servizio assistenza clienti autorizzato
- Allegato di garanzia convenzionale
- Informazioni sul consumo energetico e sui possibili rumori

## **Luogo d'installazione**

Il luogo d'installazione idoneo è un locale asciutto, ventilabile. Il luogo d'installazione non deve essere esposto ad irraggiamento solare diretto e non essere vicino ad una fonte di calore, cucina, calorifero ecc. Se è inevitabile l'installazione accanto ad una fonte di calore, utilizzare un idoneo pannello isolante, oppure rispettate le seguenti distanze minime dalla fonte di calore:

- Da cucine elettriche o a gas 3 cm.
- Da stufe ad olio o a carbone 30 cm.

Il pavimento nel luogo d'installazione non deve cedere, rinforzarlo se necessario. Compensare gli spessori le eventuali disuguaglianze del pavimento.

## **Distanza dal muro**

Installare l'apparecchio in modo da garantire un angolo di apertura della porta di 90°.

## Osservare la temperatura ambiente e la ventilazione

### Temperatura ambiente

L'apparecchio è progettato per una specifica classe climatica. In funzione di questa, l'apparecchio può essere usato alle seguenti temperature ambientali.

La classe climatica è indicata nella targhetta porta-dati. Figura **12**

Classe climatica	Temperatura ambiente ammessa
SN	da +10 °C a 32 °C
N	da +16 °C a 32 °C
ST	da +16 °C a 38 °C
T	da +16 °C a 43 °C

### Avvertenza

L'apparecchio è perfettamente efficiente nei limiti di temperatura ambiente della classe climatica indicata. Se un apparecchio della classe climatica SN viene messo in funzione a temperature ambiente inferiori, possono essere esclusi danni all'apparecchio fino ad una temperatura di +5 °C.

### Ventilazione

Figura **2**

L'aria lungo la parete posteriore e quelle laterali tende a scaldarsi, l'aria riscaldata deve poter defluire liberamente. In caso contrario il refrigeratore deve lavorare di più. Questo aumenta il consumo di energia elettrica. Perciò: evitare assolutamente di coprire o di ostruire le aperture di afflusso e deflusso dell'aria di raffreddamento.

## Collegare l'apparecchio

Dopo avere posizionato l'apparecchio, attendere circa 1 ore prima di metterlo in funzione, questo assicura che l'olio lubrificante si raccolga nella parte bassa del motore e non penetri nel circuito di raffreddamento.

Pulire l'interno dell'apparecchio prima di attivarne la funzione (vedi capitolo «Pulizia dell'apparecchio»).

### Collegamento elettrico

La presa elettrica deve essere vicino all'apparecchio ed essere accessibile anche al termine dell'installazione dell'apparecchio.



#### Avviso

Pericolo di scossa elettrica!

Se il cavo di alimentazione non è sufficientemente lungo, non utilizzare in nessun caso prese multiple o prolunghe. Contattare il servizio di assistenza clienti per le possibili alternative.

L'apparecchio è conforme alla classe di protezione I. Collegare l'apparecchio alla corrente (220-240 V/50 Hz CA) tramite una presa con conduttore di terra installata a norma. La presa deve essere protetta con un fusibile da 10 A a 16 A.

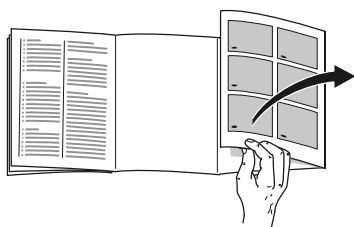
Per gli apparecchi che vengono utilizzati in paesi non europei, controllare se la tensione e il tipo di corrente indicati corrispondono ai valori della rete elettrica locale. Questi dati sono disponibili sulla targhetta identificativa, figura **12**.

## **Avviso**

I nostri apparecchi possono essere collegati ad un inverter sinusoidale di rete.

Gli inverter di rete vengono utilizzati in abbinamento a impianti fotovoltaici e collegati direttamente alla rete elettrica pubblica. Usare inverter sinusoidali nel caso di soluzioni speciali (es. imbarcazioni oppure nelle baite in montagna), laddove non sia disponibile un collegamento elettrico diretto alla rete pubblica.

## Conoscere l'apparecchio



Svolgere l'ultima pagina con le figure. Questo libretto d'istruzioni per l'uso è valido per vari modelli, pertanto le dotazioni possono variare. Nelle illustrazioni sono possibili differenze.

Figura **1**

\* Non in tutti i modelli.

- A Frigorifero
- B Vano VitaFresh
- C Congelatore

- 1-18 Elementi di comando
- 19\* Scomparto per burro e formaggio
- 20 Balconcino per bottigliette

- 21 Ripiano per bottiglie grandi
- 22 Illuminazione (LED)
- 23\* Ripiano bottiglie
- 24\* Set colazione
- 25 Ripiano di separazione con regolatore umidità
- 26 Cassetto per verdure
- 27 Cassetto freschezza
- 28 Cassetto surgelati

## Elementi di comando

Figura **4**

- 1 **Indicatore temperatura del congelatore**  
I numeri corrispondono alle temperature del congelatore regolate in °C.
- 2 **Spia ALARM**  
Si accende quando la temperatura nel congelatore è troppo alta o la porta del congelatore è aperta da troppo tempo.
- 3 **Indicatore superfreeze**  
Si accende quando il supercongelamento è in funzione.
- 4 **Indicazione temperatura VitaFresh**  
Indica la temperatura regolata del vano VitaFresh.
- 5 **Spia sabbath**  
Si accende quando viene attivata la modalità Sabbath.
- 6 **Spia Allarm**  
Si accende quando la porta del congelatore è aperta da troppo tempo.
- 7 **Indicatore temperatura del frigorifero**  
I numeri corrispondono alle temperature del frigorifero regolate in °C.

- 8 **Indicatore supercool**  
Si accende quando il super-raffreddamento è in funzione.
- 9 **Indicatore vacation mode**  
Si attiva quando viene attivata la modalità vacanza.
- 10 **Funzione di blocco dei pulsanti «lock»**  
Se questa funzione è attivata, non sono possibili regolazioni di elementi di comando.
- 11 **Pulsante lock/alarm off**  
Questo pulsante serve per
- la disattivazione del segnale acustico di allarme (vedi capitolo «Funzione di allarme»),
  - l'attivazione e disattivazione del bloccaggio pulsanti.
- 12 **Indicazione «eco mode»**  
Viene evidenziato quando viene attivata la modalità «eco».
- 13 **Pulsante di selezione dell'area dell'apparecchio**  
Per eseguire regolazioni per un'area dell'apparecchio, premere ripetutamente il pulsante di selezione.
- 14 **Indicatore ALARM**  
Si accende quando la temperatura nell'apparecchio aumenta troppo.
- 15 **Pulsanti di regolazione +/-**  
I pulsanti servono per regolare le temperature del frigorifero e del congelatore.
- 16 **Pulsante «super»**  
Serve per attivare le funzioni super-raffreddamento (frigorifero) e super-congelamento (congelatore) (vedi il capitolo Super-raffreddamento e/ o il capitolo Super-congelamento).

- 17 **Pulsante «mode»**  
Per la selezione delle funzioni speciali. Vedi capitolo «Funzioni speciali».
- 18 **Indicatore freshness mode**  
Si attiva quando viene attivata la modalità freschezza.

---

## Accensione dell'apparecchio

1. Inserire prima la spina nel connettore sul lato posteriore dell'apparecchio. Controllare che la spina sia completamente inserita.
2. Inserire poi l'altra estremità del cavo nella presa.

Ora l'apparecchio è acceso e viene emesso un segnale acustico di avviso.

Per disattivare il segnale acustico premere il pulsante lock/alarm off.

L'indicazione ALARM si spegne quando l'apparecchio ha raggiunto la temperatura regolata.

Le temperature predefinite vengono raggiunte dopo diverse ore. Durante questo periodo non introdurre alimenti nell'apparecchio.

Il produttore consiglia le seguenti temperature:

- Congelatore:  $-18\text{ }^{\circ}\text{C}$
- Vano VitaFresh: da  $0\text{ }^{\circ}\text{C}$  a  $2\text{ }^{\circ}\text{C}$
- Frigorifero:  $+4\text{ }^{\circ}\text{C}$

## Istruzioni per il funzionamento

- Dopo l'accensione possono trascorrere diverse ore prima che le temperature regolate vengano raggiunte.
- Grazie al sistema automatico NoFrost nel congelatore non si forma ghiaccio. Lo sbrinamento da parte del cliente non è più necessario.
- Se la porta, dopo averla chiusa, oppone resistenza ad una nuova apertura, attendere un attimo finché le pressioni interne non si sono compensate.
- Le pareti anteriori e laterali dell'apparecchio possono scaldarsi leggermente per impedire la formazione di condensa.

---

## Regolare la temperatura

Figura **4**

### Frigorifero

La temperatura può essere regolata da +2 °C a +8 °C.

1. Premere il pulsante di selezione 13 finché non è attivo il display frigorifero 7.
2. Premere i pulsanti +/- 14 finché non viene visualizzata la temperatura desiderata.

Gli alimenti delicati non devono essere conservati a temperatura superiore +4 °C.

## Vano VitaFresh

La temperatura può essere regolata da -1 °C a 3 °C.

1. Premere il pulsante di selezione 13 finché non si attiva l'indicatore VitaFresh 4.
2. Premere i pulsanti +/- finché non viene visualizzata la temperatura desiderata.

## Congelatore

La temperatura può essere regolata da -16 °C a -24 °C.

1. Con il pulsante °C selezionare il congelatore.
2. Premere i pulsanti +/- finché non viene visualizzata la temperatura desiderata.

---

## Funzioni speciali

Figura **4**

### Modalità freschezza

Con la modalità freschezza gli alimenti si conservano ancora più a lungo.

#### Attivazione:

premere il tasto mode finché non viene visualizzato freshness mode.

L'apparecchio regola automaticamente le seguenti temperature:

- Frigorifero: + 2 °C
- Vano VitaFresh: 0 °C
- Congelatore: resta invariato

#### Disattivazione:

premere il tasto mode finché freshness mode non scompare.

## Modalità eco

Con la modalità eco si commuta l'apparecchio al funzionamento a risparmio energetico.

### Attivazione:

premere il pulsante mode finché non viene visualizzato "eco mode".

L'apparecchio regola automaticamente le seguenti temperature:

- Frigorifero: +8 °C
- Vano VitaFresh: +3 °C
- Congelatore: -16 °C

### Disattivazione:

premere il pulsante mode finché "eco mode" non scompare.

## Modo Vacanza

In caso di assenza prolungata si può commutare l'apparecchio nel modo Vacanza, per il risparmio energetico.

Attivando il modo Vacanza si disattiva il super-congelamento automatico.

La temperatura del frigorifero viene impostata automaticamente a +14 °C.

In questo periodo non immettere alimenti nel frigorifero.

### Attivazione:

premere il tasto mode finché non viene visualizzato vacation mode.

L'apparecchio regola automaticamente le seguenti temperature:

- Frigorifero: +14 °C
- Vano VitaFresh: +14 °C
- Congelatore: resta invariato

### Avvertenza

Sul display VitaFresh compare «-».

### Disattivazione:

premere il pulsante mode finché vacation mode non scompare.

## Modalità Sabbath

All'attivazione della modalità Sabbath vengono disattivate le impostazioni seguenti:


- Segnali acustici
- Illuminazione interna
- Indicazioni sul display
- La retroilluminazione del display viene ridotta
- I pulsanti si bloccano
- Super-congelamento automatico

### Attivazione e disattivazione della modalità Sabbath:

Premere il tasto super per 15 secondi.

## Funzione di blocco tasti Lock

Per attivare e disattivare il blocco tasti, premere il tasto lock/alarm off per 5 secondi.

Quando la funzione è attivata, viene evidenziato a display .

Il pannello di comando è ora protetto da un uso indesiderato.

### Eccezione del blocco tasti:

per disattivare il blocco tasti e in caso di segnale acustico può essere premuto il tasto lock/alarm off.

---

## Funzione di allarme

Un segnale acustico di allarme può essere emesso nei casi seguenti.

## Allarme porta

Se l'apparecchio resta aperto troppo a lungo si attiva l'allarme porta e nell'indicazione di temperatura del frigorifero 7 o nell'indicazione di temperatura del congelatore 1 compare ALARM. Chiudendo la porta corrispondente, l'allarme porta si disattiva.

## Allarme temperatura

Viene emesso un suono a intermittenza, nell'indicazione di temperatura del congelatore 1 compare ALARM.

L'allarme temperatura si attiva se la temperatura nel congelatore è troppo alta e gli alimenti congelati sono a rischio.

Attivazione del segnale acustico di allarme senza che questo costituisca pericolo per gli alimenti congelati:

- Messa in funzione dell'apparecchio.
- Introduzione di grandi quantità di alimenti freschi.

### Avvertenza

Non ricongelare gli alimenti parzialmente o completamente scongelati. Questi possono essere di nuovo congelati solo dopo avere preparato (mediante qualsiasi tipo di cottura) pietanze pronte all'uso.

Non utilizzare più interamente la durata max. di conservazione

Il display della temperatura indica per 5 secondi la temperatura più alta raggiunta nel congelatore. Al termine viene visualizzata la temperatura regolata.

## Disattivazione dell'allarme

Premere il tasto lock/alarm off per disattivare il segnale acustico.

## Home Connect

Questo apparecchio è dotato di connessione Wi-Fi e può essere comandato a distanza con un dispositivo mobile.

### Avvertenza

Wi-Fi è un marchio registrato di Wi-Fi Alliance.

Se non è collegato alla rete domestica, l'apparecchio funziona come un frigorifero senza collegamento alla rete e può essere comandato manualmente con gli elementi di comando.

Per usare le funzioni di Home Connect, connettere l'apparecchio con un Home Connect Wi-Fi-Dongle.

Se l'apparecchio è stato fornito senza l'Home Connect Wi-Fi-Dongle è possibile ordinarlo tramite il nostro servizio clienti.

### Avvertenza

Inserire e disinserire la spina a fianco dell'apparecchio è più difficoltoso di quanto previsto. Controllare che la spina sia completamente inserita.

Posizionare l'Home Connect Wi-Fi-Dongle ad un'altezza di 1 metro.

### Avvertenze

- Osservare le avvertenze di sicurezza delle presenti istruzioni per l'uso e accertarsi che vengano rispettate quando l'apparecchio viene utilizzato mediante l'app Home Connect e non si è in casa.

Osservare anche le indicazioni presenti nell'app Home Connect.



- I comandi impartiti direttamente sull'apparecchio hanno sempre la priorità; quando l'apparecchio viene comandato direttamente, i comandi tramite l'app Home Connect non sono disponibili.

## Configurazione di Home Connect

### Avvertenze

- Osservare l'allegato Home Connect alle istruzioni che è possibile scaricare dall'indirizzo <http://www.bosch-home.com>. Inserire nel campo di ricerca il codice (E-Nr.) dell'elettrodomestico.
- Dopo l'accensione dell'apparecchio attendere almeno due minuti per consentire l'inizializzazione interna dell'apparecchio. Configurare Home Connect soltanto al termine.
- Per poter eseguire le impostazioni mediante Home Connect, l'app Home Connect deve essere installata sul proprio dispositivo mobile. Osservare la documentazione fornita di Home Connect. Seguire i passi indicati all'interno dell'app per eseguire le impostazioni.
- Dopo diversi istanti di inutilizzo, il menu di Home Connect si chiude automaticamente. Informazioni sull'apertura del menu di Home Connect sono disponibili all'inizio del capitolo corrispondente.

### Connessione automatica alla rete domestica (WLAN)

Se è disponibile un router WLAN con funzione WPS, è possibile collegare automaticamente il frigorifero alla rete domestica.

1. Premere contemporaneamente il tasto super e il tasto lock/alarm off per aprire il menu Home Connect.

Il display indica **Cn**.

### Avvertenza

Premere contemporaneamente i due tasti. I tasti vengono bloccati se si preme a lungo il tasto lock/alarm off da solo. Premere nuovamente il tasto lock/alarm off finché i tasti non si sbloccano.

2. Premere il tasto °C finché i display non visualizzano **AC** e **oF**.

3. Premere il tasto +.

L'apparecchio è pronto per la connessione automatica.

Il display visualizza un'animazione per 2 minuti.

Durante questo intervallo eseguire le operazioni seguenti.

4. Attivare la funzione WPS sul router della rete domestica (ad es. con il tasto WPS/WLAN, osservare le informazioni riportate nella documentazione del router).

- Se la connessione è stata stabilita, lampeggia **on** sul display del frigorifero.

Ora è possibile collegare il frigorifero all'app.

- Se il display visualizza **oF** significa che non è stato possibile stabilire la connessione.

Verificare che il frigorifero si trovi entro il campo di copertura della rete domestica (WLAN).

Ripetere la procedura oppure eseguire la connessione manualmente.

### Connessione manuale alla rete domestica (WLAN)

Se il router WLAN presente non è dotato di funzione WPS o se l'utente non ne è a conoscenza, è possibile collegare il frigorifero manualmente alla rete domestica.

1. Premere contemporaneamente il tasto super e il tasto lock/alarm off per aprire il menu Home Connect.

Il display indica **Cn**.

#### Avvertenza

Premere contemporaneamente i due tasti. I tasti vengono bloccati se si preme a lungo il tasto lock/alarm off da solo. Premere nuovamente il tasto lock/alarm off finché i tasti non si sbloccano.

2. Premere il tasto °C finché i display non mostrano **SA** e **oF**.
3. Premere il tasto +.

L'apparecchio è pronto per la connessione manuale.

Il display visualizza un'animazione per 5 minuti.

Durante questo intervallo eseguire le operazioni seguenti.

4. Per il frigorifero è ora configurata una propria rete WLAN con il nome **HomeConnect**.

A questa rete è ora possibile accedere con il dispositivo mobile.

5. Aprire il menu delle impostazioni del dispositivo mobile e richiamare le impostazioni WLAN.
6. Collegare il dispositivo mobile alla rete WLAN **HomeConnect**.  
Password: **HomeConnect**  
Per stabilire la connessione possono essere necessari fino a 60 secondi.
7. Una volta stabilita la connessione, aprire l'app Home Connect sul dispositivo mobile.  
L'app cerca il frigorifero.
8. Non appena viene rilevato il frigorifero, inserire il nome della rete (SSID) e la password (Key) della propria rete domestica (WLAN) nei campi corrispondenti.
9. Confermare con il pulsante **Trasferisci agli elettrodomestici**.

- Se la connessione è stata stabilita, lampeggia **on** sul display del frigorifero.

Ora è possibile collegare il frigorifero all'app.

- Se il display visualizza **oF** significa che non è stato possibile stabilire la connessione.

Inserire nuovamente la password verificando che sia scritta correttamente.

Verificare che il frigorifero si trovi entro il campo di copertura della rete domestica (WLAN).

Ripetere l'operazione.

## Collegamento del frigorifero con l'app Home Connect

Una volta stabilita la connessione tra il frigorifero e la rete domestica è possibile collegare il frigorifero all'app.

1. Premere contemporaneamente il tasto super e il tasto lock/alarm off per aprire il menu Home Connect.  
Il display indica **Cn**.

### Avvertenza

Premere contemporaneamente i due tasti. I tasti vengono bloccati se si preme a lungo il tasto lock/alarm off da solo. Premere nuovamente il tasto lock/alarm off finché i tasti non si sbloccano.

2. Premere il tasto °C finché non sono visualizzati **PA** (Pairing = collegamento all'app) e **oF**.
3. Premere il tasto **+** per collegare l'apparecchio all'app.  
Il display mostra un'animazione.  
Non appena il frigorifero e l'app sono collegati, il display mostra **on**.
4. Aprire l'app e attendere finché non viene visualizzato il frigorifero.  
Con **Aggiungi** confermare il collegamento tra l'app e il frigorifero.

Se il frigorifero non viene visualizzato automaticamente, fare clic su

**Aggiungi apparecchio** nell'app e seguire le istruzioni. Non appena viene visualizzato il frigorifero, aggiungerlo con **+**.

5. Seguire le istruzioni dell'app fino alla fine della procedura.
  - I display mostrano **PA** e **on**.  
Il frigorifero è stato collegato all'app.

- Se la connessione non è stata stabilita, verificare che il dispositivo mobile sia connesso alla rete domestica (WLAN).

Quindi collegare di nuovo il frigorifero all'app.

- Se il display mostra **Er**, Home Connect resettare le impostazioni e ripetere la configurazione dall'inizio.

## Verifica dell'intensità del segnale

Se non viene instaurata la connessione occorre verificare l'intensità del segnale.

1. Premere contemporaneamente il tasto super e il tasto lock/alarm off per aprire il menu Home Connect.  
Il display indica **Cn**.

### Avvertenza

Premere contemporaneamente i due tasti. I tasti vengono bloccati se si preme a lungo il tasto lock/alarm off da solo. Premere nuovamente il tasto lock/alarm off finché i tasti non si sbloccano.

2. Premere il tasto °C finché il display non mostra **SI**. Nel secondo display viene visualizzato un valore compreso tra 0 (nessuna ricezione) e 3 (massima ricezione).

### Avvertenza

L'intensità del segnale deve essere pari almeno a 2. Se l'intensità del segnale è troppo bassa, la connessione può interrompersi. Avvicinare il router e il frigorifero, verificare che la connessione non sia disturbata da pareti schermanti oppure installare un ripetitore per rafforzare il segnale.

## Home Connect Reset delle impostazioni

Se non si riesce a stabilire la connessione oppure se si desidera registrare il frigorifero in un'altra rete (WLAN), è possibile resettare le impostazioni di Home Connect:

1. Premere contemporaneamente il tasto super e il tasto lock/alarm off per aprire il menu Home Connect.

Il display indica **Cn**.

### Avvertenza

Premere contemporaneamente i due tasti. I tasti vengono bloccati se si preme a lungo il tasto lock/alarm off da solo. Premere nuovamente il tasto lock/alarm off finché i tasti non si sbloccano.

2. Premere il tasto °C finché i display non mostrano **rE** e **oF**.
3. Premere il tasto +.

- Il display mostra una breve animazione, quindi mostra nuovamente **oF**.

Le impostazioni di Home Connect sono resettate.

- Se il display mostra **Er**, eseguire nuovamente il reset oppure contattare il servizio di assistenza clienti.

## Accesso del servizio di assistenza clienti

Contattando il servizio di assistenza clienti, quest'ultimo può intervenire sull'apparecchio dietro richiesta e rilevare il suo stato. A tal fine è necessario che l'apparecchio sia collegato alla rete domestica.

Per ulteriori informazioni sull'accesso da parte del servizio di assistenza clienti e sulla disponibilità nel proprio Paese visitare la sezione Help&Support del sito [www.home-connect.com](http://www.home-connect.com).

1. Contattare il servizio di assistenza clienti.
2. Confermare l'avvio dell'accesso del servizio di assistenza clienti nell'app.  
Durante l'accesso del servizio di assistenza clienti compare il simbolo CS sul pannello di comando.
3. Dopo aver raccolto tutte le informazioni necessarie il servizio di assistenza clienti pone termine all'accesso.

### Avvertenza

La diagnosi a distanza può essere interrotta in anticipo disattivando l'accesso del servizio di assistenza clienti nell'app Home Connect.

## Avvertenze sulla protezione dei dati

Con il primo collegamento del frigorifero Home Connect a una rete WLAN connessa a Internet, il frigorifero trasmette le seguenti categorie di dati al server Home Connect (prima registrazione):

- Identificativo univoco dell'apparecchio (costituito dai codici dell'apparecchio e dall'indirizzo MAC del modulo di comunicazione Wi-Fi installato).
- Certificato di sicurezza del modulo di comunicazione Wi-Fi (per la protezione informatica della connessione).
- La versione attuale del software e dell'hardware del frigorifero.
- Lo stato di un eventuale ripristino precedente delle impostazioni di fabbrica.

La prima registrazione prepara l'apparecchio per l'utilizzo delle funzionalità Home Connect ed è necessaria soltanto nel momento in cui si desidera utilizzare le funzionalità Home Connect per la prima volta.

### Avvertenza

Osservare che le funzionalità Home Connect sono utilizzabili solo in abbinamento all'app Home Connect. Le informazioni sulla protezione dei dati possono essere richiamate nell'app Home Connect.

## Dichiarazione di conformità

Con la presente Robert Bosch Hausgeräte GmbH dichiara che l'apparecchio con funzionalità Home Connect è conforme ai requisiti fondamentali e alle restanti disposizioni della direttiva 2014/53/EU.

La dichiarazione di conformità dettagliata RED è consultabile su Internet, sul sito <http://www.bosch-home.com>, alla pagina del prodotto nei documenti supplementari.



Banda 2,4 GHz: 100 mW max.

---

## Capacità utile totale

I dati di volume utile sono indicati sulla targhetta d'identificazione dell'apparecchio. Figura **12**

## Sfruttare interamente il volume utile

I contenitori possono essere rimossi per sistemare la quantità massima di alimenti. Gli alimenti possono essere poi accumulati direttamente sul ripiano e sul fondo del congelatore.

### Avvertenza

Evitare gli alimenti vengano a contatto con la parete di fondo. In tal caso la circolazione dell'aria viene impedita.

Durante il congelamento, le confezioni degli alimenti possono attaccarsi alla parete di fondo.

### Rimozione degli accessori

Estrarre i cassetti surgelati fino all'arresto, sollevarli avanti ed estrarli. Figura **9**

---

## Il frigorifero

Il frigorifero è il luogo di conservazione ideale per carne, salumi, pesce, latticini, uova, alimenti pronti e prodotti da forno.

### Tenere presente nella conservazione

- Conservare alimenti freschi, integri. Così la qualità e la freschezza si conservano più a lungo.
- Per i prodotti pronti ed alimenti confezionati osservare la data minima di conservazione o la data di consumo indicata dal produttore.
- Sistemare gli alimenti ben confezionati o coperti, per conservare aroma, colore e freschezza. Si evitano così contaminazioni di gusto e alterazioni di colore delle parti di plastica nel frigorifero.
- Fare prima raffreddare gli alimenti e le bevande caldi, poi metterli nell'apparecchio.

### Avvertenza

Per non pregiudicare la circolazione dell'aria, non ostruire le aperture di uscita dell'aria con alimenti. Gli alimenti, che sono conservati direttamente innanzi alle aperture di uscita dell'aria, possono anche essere congelati dall'aria fredda che esce.

### Considerare le zone più fredde nel frigorifero

La circolazione dell'aria nel frigorifero, genera delle zone con temperature differenti:

- Le zone più fredde sono avanti alle aperture di uscita aria e nel cassetto di raffreddamento, figura **1**/26.

#### Avvertenza

Conservare nelle zone più fredde gli alimenti deperibili (per es. pesce, insaccati, carne).

- La zona meno fredda è nella parte più alta della porta.

#### Avvertenza

Conservare nelle zone meno fredde ad es. formaggio duro e burro. Il formaggio duro può così conservare il suo aroma e il burro resta spalmabile.

## Super-raffreddamento

Durante il super-raffreddamento il vano frigorifero viene raffreddato quanto più possibile per ca. 6 ore. In seguito viene regolato automaticamente alla temperatura impostata prima del super-raffreddamento.

Inserire il super-raffreddamento per es.

- prima d'introdurre grandi quantità di alimenti.
- per il raffreddamento rapido di bevande.

## Attivazione e disattivazione

Figura **4**

1. Con il tasto °C selezionare il vano frigorifero.
2. Premere il tasto super.

L'indicatore supercool si accende.

Non si deve disinserire il super-raffreddamento. Dopo 6 ore l'apparecchio passa automaticamente alla temperatura precedentemente impostata.

## Avvertenza

Con il super-raffreddamento del frigo attivo, i rumori determinati dal funzionamento saranno maggiori.

## Il vano VitaFresh

La temperatura del vano a 0 °C si mantiene vicino a 0 °C. La bassa temperatura e il livello di umidità ottimale garantiscono condizioni di conservazione ideali per gli alimenti freschi.

Nel vano a 0 °C si possono conservare alimenti per una durata fino a tre volte maggiore rispetto alla normale zona frigo, per conservare più a lungo la freschezza, le sostanze nutritive e il gusto.

## Cassetto per verdure

Figura **7**

Il cassetto per verdure è il luogo di conservazione ottimale per frutta fresca e verdura. L'umidità dell'aria nel cassetto per verdure può essere adattata per mezzo del regolatore umidità del ripiano di separazione e di una speciale guarnizione.

L'umidità dell'aria nel cassetto per verdure può essere regolata a seconda del tipo e della quantità dei prodotti da conservare:

- soprattutto frutta e in caso di carico elevato – bassa umidità dell'aria
- soprattutto verdura e in caso di carico misto o di carico ridotto – alta umidità dell'aria

## Avvertenze

- Per la conservazione ottimale della qualità e dell'aroma di frutta (ad es. ananas, banane, papaye ed agrumi) ed ortaggi (ad es. melanzane, cetrioli, zucchine, peperoni, pomodori e patate) che temono il freddo, conservarle fuori del frigorifero a temperature di +8 °C a +12 °C circa.
- A seconda della quantità e del prodotto conservato, nel cassetto verdura può formarsi condensa. Rimuovere la condensa con un panno asciutto e adattare l'umidità dell'aria nel cassetto verdura con il regolatore umidità.

## Cassetto freschezza

Figura 11/26

Il clima di conservazione nel cassetto freschezza offre condizioni ideali per conservare pesce, carne, salumi, formaggio e latte.

## Tempi di conservazione (a 0 °C)

### a seconda della qualità iniziale

Pesce fresco, frutti di mare	fino a 3 giorni
Pollame, carne (cotti/arrostiti)	fino a 5 giorni
Manzo, suino, agnello, salumi (affettati)	fino a 7 giorni
Pesce affumicato, broccoli	fino a 14 giorni
Insalata, finocchio, albicocche, prugne	fino a 21 giorni
Formaggio tenero, yogurt, ricotta, latticello, cavolfiore	fino a 30 giorni

## Congelatore

### Usare il congelatore

- Per conservare alimenti surgelati.
- Per produrre cubetti di ghiaccio.
- Per il congelamento di alimenti.

### Avvertenza

Attenzione che la porta del congelatore sia chiusa correttamente! Se la porta è aperta gli alimenti surgelati si scongelano. Il congelatore forma molto ghiaccio. Inoltre: spreco di energia a causa di alto consumo di corrente elettrica!

## Max. capacità di congelamento

Indicazioni sulla max. possibilità di congelamento in 24 ore sono riportate sulla targhetta d'identificazione. Figura 12

### Condizioni per la max. capacità di congelamento

- Prima di introdurre prodotti freschi inserire il super congelamento (vedi il capitolo «Super congelamento»).
- Estrarre il contenitore; accumulare gli alimenti direttamente sul ripiano e sul fondo del congelatore.
- Congelare le quantità più grandi di alimenti preferibilmente nello scomparto superiore. Qui essi vengono congelati molto rapidamente e perciò anche salvaguardandone le proprietà.



---

## Congelare e conservare

### Acquisto di alimenti surgelati

- La confezione non deve essere danneggiata.
- Rispettare la data di conservazione.
- La temperatura nell'espositore-congelatore di vendita deve essere -18 °C o inferiore.
- Trasportare gli alimenti surgelati possibilmente in una borsa termica e conservarli poi al più presto possibile nel congelatore.

### Tenere presente nella sistemazione

- Congelare le quantità più grandi di alimenti preferibilmente nel cassetto surgelati più in alto. Qui congelano in modo particolarmente rapido e quindi anche delicato.
- Disporre gli alimenti distesi in piano negli scomparti o nei cassetti surgelati.

#### Avvertenza

Gli alimenti già congelati non devono entrare in contatto con gli alimenti da congelare. Eventualmente spostare gli alimenti surgelati nei cassetti.

- Per assicurare la circolazione dell'aria nell'apparecchio, introdurre il cassetto surgelati fino all'arresto.

## Congelare piccole quantità di alimenti

Per scoprire come congelare piccole quantità di alimenti in modo che congelino completamente il più rapidamente possibile, consultare la sezione Super-congelamento automatico.

---

## Congelamento di alimenti freschi

Per il congelamento utilizzare solo alimenti freschi ed integri.

Per conservare al meglio valore nutritivo, aroma e colore, sbollentare la verdura prima di congelarla. Non è necessario sbollentare melanzane, peperoni, zucchine ed asparagi.

In libreria sono reperibili pubblicazioni sul congelamento e la sbollentatura.

#### Avvertenza

Non mettere gli alimenti da congelare in contatto con quelli congelati.

- Sono idonei per il congelamento: Prodotti da forno, pesce e frutti di mare, carne, selvaggina, pollame, verdura, frutta, erbe aromatiche, uova senza guscio, latticini, come formaggio, burro e ricotta, pietanze pronte e residui vivande, come minestre, piatti unici, carne e pesce cotti a fuoco lento, vivande di patate, sformati e dolci.
- Non sono idonei per il congelamento: Tipi di ortaggi, che solitamente si consumano crudi, come insalate in foglia o ravanelli, uova nel guscio, uva, mele intere, pere e pesche, uova sode, yogurt, latte cagliato, panna acida, crème fraîche e maionese.

## Confezionamento di alimenti surgelati

Conservare gli alimenti in confezioni ermetiche, per evitare che perdano il loro gusto o possano essiccarsi.

1. Introdurre l'alimento nella confezione.
2. Fare uscire l'aria.
3. Chiudere la confezione ermeticamente.
4. Scrivere sulla confezione il contenuto e la data di congelamento.

### Imballaggio idoneo:

pellicola di plastica, pellicola tubolare di polietilene, fogli di alluminio, contenitori per surgelati.

Questi prodotti sono in vendita nel commercio specializzato.

### Imballaggio non idoneo:

carta per imballaggio, carta pergamena, cellofan, sacchetti per rifiuti e sacchetti per la spesa usati.

### Sono idonei per chiudere le confezioni:

anelli di gomma, clip di plastica, fili per legare, nastri adesivi resistenti al freddo e simili.

I sacchetti e la pellicola tubolare di polietilene possono essere sigillati mediante saldatura con un apposito apparecchio.

## Durata di conservazione dei surgelati

La durata di conservazione dipende dal tipo di alimento.

Ad una di temperatura di  $-18\text{ }^{\circ}\text{C}$ :

- Pesce, salsiccia, pietanze pronte, prodotti da forno:  
fino a 6 mesi
- Formaggio, pollame, carne:  
fino a 8 mesi
- Verdura, frutta:  
fino a 12 mesi

---

## Super-congelamento

Per conservare vitamine e valori nutritivi, aspetto e gusto, gli alimenti devono essere congelati completamente, anche all'interno, nel tempo più breve possibile.

Dopo l'attivazione del super-congelamento l'apparecchio rimane in funzione in modo continuo. Le temperature del congelatore diventano molto più basse rispetto al funzionamento normale.

## Attivazione del super-congelamento

In base alla quantità di alimenti da congelare, è possibile utilizzare il super-congelamento in modo diverso.

### Avvertenza

Con il super-congelamento inserito, maggiori sono i rumori di funzionamento.

### Super-congelamento automatico

Le piccole quantità di alimenti si congelano più rapidamente se si congela come segue:

- nel cassetto surgelati inferiore
- a sinistra

Il super-congelamento automatico si attiva automaticamente quando si congelano alimenti caldi.

### Super-congelamento manuale

Figura 4

Congelare le quantità più grandi di alimenti preferibilmente nello scomparto superiore. Qui congelano in modo particolarmente rapido e quindi anche delicato.

Per evitare un indesiderato aumento della temperatura, inserire il super-congelamento alcune ore prima di congelare alimenti freschi.

Se si vuole utilizzare la massima capacità di congelamento, attivare il super-congelamento 24 ore prima di congelare alimenti freschi.

1. Con il pulsante °C selezionare la zona congelatore.
2. Premere il pulsante super.  
L'indicatore superfreeze si accende.

## Disattivazione del super-congelamento

Figura 4

1. Con il pulsante °C selezionare la zona congelatore.
2. Premere il pulsante super.  
L'indicatore superfreeze si spegne.  
Ora il super-congelamento è disattivato.

Al termine del super-congelamento, l'apparecchio torna automaticamente al funzionamento normale.

- Con il super-congelamento automatico: non appena la piccola quantità di alimenti da congelare è completamente congelata.
- Con il super-congelamento manuale: dopo ca. 2 giorni e ½.

---

## Decongelare surgelati

A seconda del genere e dell'uso, utilizzare una delle seguenti possibilità:

- a temperatura ambiente
- nel frigorifero
- nel forno elettrico, con/senza ventola aria calda
- nel forno a microonde



### Attenzione

Non ricongelare gli alimenti parzialmente o completamente decongelati. Questi possono essere di nuovo congelati solo dopo avere preparato (mediante qualsiasi tipo di cottura) pietanze pronte all'uso.

Non utilizzare più la durata max. di conservazione.

## Dotazione

### Ripiani e balconcini

Se necessario, i ripiani del vano interno ed i balconcini della porta possono essere spostati: tirare i ripiani in avanti, abbassarli e ruotarli lateralmente. Sollevare il balconcino ed estrarlo.

### Dotazione speciale

(non in tutti i modelli)

#### Scomparto per burro e formaggio

Per aprire il vano «burro» premere lo sportello al centro.

Per un corretta pulizia sollevare il vano ed estrarlo.

#### Set colazione

Figura **5**

I contenitori del set colazione possono essere estratti e riempiti singolarmente.

Il set colazione può essere estratto per il carico e scarico. A tal fine sollevare leggermente il set colazione ed estrarlo. Il supporto del contenitore può essere spostato.

#### Ripiano bottiglie

Figura **6**

Sul ripiano bottiglie si possono deporre in sicurezza le bottiglie.

### Vaschetta per ghiaccio

Figura **11**

1. Riempire la vaschetta del ghiaccio per  $\frac{3}{4}$  con acqua e riporla nel congelatore.
2. Staccare la vaschetta del ghiaccio eventualmente attaccata solo con un oggetto non acuminato (manico di cucchiaino).
3. Per staccare i cubetti di ghiaccio mettere brevemente la vaschetta sotto acqua corrente oppure torcerla leggermente.

### Calendario di congelamento

Figura **10**

Per evitare perdite di qualità degli alimenti surgelati, non superare la durata di conservazione. I numeri accanto ai simboli indicano in mesi la durata di conservazione consentita per l'alimento congelato. In caso di comuni alimenti surgelati commerciali osservare la data di produzione o di scadenza.

### Accumulatori del freddo

L'accumulatore del freddo ritarda il riscaldamento degli alimenti conservati in caso d'interruzione dell'energia elettrica o di guasto. La durata massima di conservazione si raggiunge deponendo l'accumulatore di freddo sopra gli alimenti nello scomparto superiore.

L'accumulatore del freddo può essere estratto anche per raffreddare temporaneamente alimenti, per es. in una borsa frigo.

---

## Adesivo «OK»

(non in tutti i modelli)

Con l'adesivo «OK» è possibile controllare se nel frigorifero sono stati raggiunti i range di temperatura sicuri consigliati per gli alimenti (+4 °C o temperatura inferiore). Se l'adesivo non indica «OK», ridurre progressivamente la temperatura.

### Avvertenza

Dopo la messa in funzione dell'apparecchio possono passare fino a 12 ore prima che sia raggiunta la temperatura regolata.



**Corretta regolazione**

---

## Spegnere e mettere fuori servizio l'apparecchio

### Spegnimento dell'apparecchio

Premere il pulsante «+» per 10 secondi. Il frigorifero si spegne.

### Mettere fuori servizio l'apparecchio

Quando non si usa l'apparecchio per un lungo periodo:

1. Estrarre la spina di alimentazione o disinserire il dispositivo di sicurezza.
2. Pulire l'apparecchio.
3. Lasciare aperte le porte dell'apparecchio.

### Avvertenza

Per evitare danni all'apparecchio, le porte devono essere aperte in modo che restino aperte da sole. Non bloccare oggetti in una porta per tenerla aperta.

---

## Scongelamento

### Frigorifero

Durante il funzionamento dell'apparecchio, sulla parete posteriore del frigorifero si formano gocce di condensa o brina. Poiché la parete posteriore si sbrina automaticamente, non è necessario rimuovere la brina o le gocce di condensa.

### Congelatore

Grazie al sistema automatico NoFrost nel congelatore non si forma mai ghiaccio. Uno sbrinamento non è più necessario.

---

## Pulizia dell'apparecchio



### Attenzione

- Non utilizzare prodotti per pulizia e solventi chimici contenenti sabbia, cloro o acidi.
- Non usare spugne abrasive o spugne che graffiano.  
Sulle superfici metalliche potrebbe formarsi macchie da corrosione.
- Non lavare mai in lavastoviglie i ripiani ed i contenitori.  
Questi elementi si possono deformare!

### **L'acqua di lavaggio non deve penetrare nelle zone seguenti:**

- Elementi di comando
- Illuminazione
- Aperture di ventilazione
- Aperture nel divisorio

### **Procedere come segue:**

1. Estrarre la spina di alimentazione o disinserire il dispositivo di sicurezza.
2. Estrarre gli alimenti surgelati e depositarli in un luogo fresco. Disporre un panetto di ghiaccio (se disponibile) sugli alimenti.
3. L'acqua non deve penetrare negli elementi di comando, nell'illuminazione, nelle aperture di ventilazione o nelle aperture del piano divisorio!  
Pulire l'apparecchio con un panno morbido, acqua tiepida e poco detergente a pH neutro.
4. Lavare la guarnizione della porta solo con acqua pulita e poi asciugarla con cura.
5. Dopo la pulizia: ricollegare l'apparecchio.
6. Introdurre di nuovo i surgelati.

### **Caratteristiche**

Per la pulizia tutte le parti mobili dell'apparecchio possono essere estratte.

### **Avvertenza**

Il piano divisorio tra il frigorifero e il vano VitaFresh è fisso. Per evitare di danneggiare l'apparecchio, questo piano può essere rimosso soltanto dall'assistenza tecnica o dai tecnici autorizzati.

### **Rimozione dei balconcini dalla porta**

Figura **3**

Sollevarre ed estrarre i balconcini.

### **Estrarre i ripiani di vetro**

Tirare i ripiani di vetro in avanti ed estrarli.

### **Estrarre i contenitori**

Figura **8**

Estrarre completamente i cassetti e liberarli dall'arresto sollevandoli.

Per inserire i cassetti deporli sulle guide di estrazione e spingerli nell'interno. Il cassetto si arresta premendolo in basso.

### **Estrarre i cassetti surgelati**

Figura **9**

Estrarre i cassetti surgelati fino all'arresto, sollevarli avanti ed estrarli.

---

## **Illuminazione (LED)**

L'apparecchio è dotato di un'illuminazione a LED esente da manutenzione.

Riparazioni a questa illuminazione deve essere eseguite solo dal Servizio Assistenza Clienti autorizzato.

## Risparmiare energia

- Installare l'apparecchio un in ambiente asciutto ventilabile. L'apparecchio non deve essere esposto direttamente al sole o vicino ad una fonte di calore (per es. calorifero, stufa).  
Altrimenti usare un pannello isolante.
- Lasciare raffreddare gli alimenti e le bevande, se caldi, prima di introdurli nell'apparecchio.
- Per scongelare un alimento surgelato metterlo nel frigorifero, si utilizza così il freddo del surgelato per il raffreddamento degli alimenti.
- Aprire la porta dell'apparecchio il tempo più breve possibile.
- Al fine di raggiungere il minimo consumo energetico: mantenere una piccola distanza laterale dal muro.
- La disposizione delle parti dell'attrezzatura non ha influenza sull'assorbimento di energia dell'apparecchio.

## Rumori di funzionamento

### Avvertenza

Con il super-congelamento inserito, i rumori di funzionamento possono aumentare.

### Rumori normali

#### Ronzio

Motori in funzione (ad es. gruppi frigoriferi, ventilatore). A temperature ambiente elevate i rumori di funzionamento possono aumentare.

#### Gorgoglio, scroscio o fruscio

Derivano dal gas refrigerante, che circola nei i raccordi del circuito refrigerante.

#### Breve scatto

Motore, interruttori ed elettrovalvole s'inseriscono/disinseriscono.

#### Crepitio

Sbrinamento automatico in corso.

## Evitare i rumori

### L'apparecchio non è correttamente livellato

Livellare l'apparecchio con una livella a bolla d'aria. A tal fine utilizzare i piedini a vite o inserire uno spessore.

### L'apparecchio è in contatto laterale

Allontanare l'apparecchio dai mobili o apparecchi con i quali è in contatto.

### I contenitori o i ripiani traballano o non sono correttamente inseriti

Controllare le parti estraibili ed eventualmente inserirle di nuovo correttamente.

### I contenitori all'interno dell'apparecchio si toccano tra loro

Allontanare un poco le bottiglie o i contenitori.

## Eliminare piccoli guasti

Prima di rivolgersi al customer service:

provare ad eliminare autonomamente l'inconveniente con l'aiuto delle seguenti istruzioni.

L'intervento del Servizio Assistenza Clienti in caso di corretto funzionamento del prodotto, è a carico del consumatore.

<b>Guasto</b>	<b>Causa possibile</b>	<b>Rimedio</b>
La temperatura si discosta notevolmente dalle impostazioni iniziali.		In alcuni casi basta spegnere l'apparecchio per 5 minuti. Se la temperatura è troppo alta, controllare dopo qualche ora se vi è stata una normalizzazione della temperatura. Se la temperatura è troppo bassa, ricontrollare la temperatura il giorno seguente.
L'illuminazione non funziona.	L'illuminazione con il LED è guasta.	Vedi capitolo «Illuminazione (LED)».
	La porta è rimasta troppo tempo aperta. L'illuminazione si spegne dopo ca. 10 min..	L'illuminazione si riaccende chiudendo e riaprendo la porta.
Nel frigorifero o nel vano VitaFresh la temperatura è troppo bassa.		Regolare la temperatura del frigorifero su un valore più alto.
		Regolare la temperatura nel vano VitaFresh su un valore più alto.
La temperatura nel congelatore è troppo alta.	Frequente apertura della porta dell'apparecchio.	Non aprire inutilmente la porta dell'apparecchio.
	I passaggi dell'aria per l'aerazione sono ostruiti.	Liberare le aperture.
	Congelamento di grandi quantità di alimenti freschi.	Non superare la quantità massima di congelamento.
L'apparecchio non raffredda, il display della temperatura e l'illuminazione sono accesi.	Il programma dimostrativo è attivo.	Tenere premuti il tasto °C e il tasto di regolazione <b>+</b> per 5 secondi finché non viene emesso un tono di conferma. Quando si rilasciano i tasti si sente un ulteriore tono di conferma.  Dopo qualche tempo controllare se l'apparecchio raffredda.



<b>Guasto</b>	<b>Causa possibile</b>	<b>Rimedio</b>
Tutte le spie spente.	Interruzione dell'energia elettrica; è scattato il dispositivo elettrico di sicurezza; la spina d'alimentazione non è inserita correttamente.	Collegare la spina di alimentazione. Controllare se vi è energia elettrica e controllare il dispositivo elettrico di sicurezza.
Le pareti laterali dell'apparecchio sono calde.	Nelle pareti laterali sono posati tubi che si riscaldano durante il raffreddamento.	Si tratta del funzionamento normale dell'apparecchio, non di un guasto. I mobili a contatto con l'apparecchio non vengono danneggiati dal calore.
La porta del congelatore è rimasta aperta troppo a lungo; non è più possibile raggiungere la temperatura.	L'evaporatore (generatore del freddo) nel sistema NoFrost è ostruito dal ghiaccio, non riesce più a sbrinarsi automaticamente.	Per sbrinare l'evaporatore estrarre gli alimenti congelati con i contenitori e deporli ben isolati in un luogo fresco. Spegnerne l'apparecchio. Lasciare aperta la porta dell'apparecchio. Dopo ca 20 min. l'acqua di sbrinamento comincia a gocciolare nella vaschetta d'evaporazione sul lato posteriore dell'apparecchio. Per evitare in questo caso che la vaschetta d'evaporazione trabocchi, svuotarla periodicamente. Quando nella vaschetta d'evaporazione non defluisce più acqua di sbrinamento, l'evaporatore è sbrinato. Pulire il vano interno. Rimettere l'apparecchio in funzione.
Il super-congelamento automatico non si spegne.		L'apparecchio decide autonomamente se è necessario il super-congelamento automatico e lo attiva o disattiva automaticamente.
Le impostazioni seguenti sono disattivate:  ■ Segnali acustici ■ Illuminazione interna ■ Indicazioni nel display ■ Super-congelamento automatico	La modalità Sabbath è attivata.	Premere il tasto super per 15 secondi.
L'illuminazione di fondo del display viene ridotta. I tasti sono bloccati.		

---

## Autotest dell'apparecchio

Questo apparecchio dispone di un programma automatico di autotest che individua cause ed inconvenienti che possono essere eliminati solo dal Servizio Assistenza Clienti.

### Avvio dell'autotest dell'apparecchio

1. Spegnere l'apparecchio ed attendere 5 minuti.
2. Accendere l'apparecchio ed entro 10 secondi tenere premuti per 3-5 secondi il tasto °C e il tasto di regolazione «-» finché non viene emesso un segnale acustico.

Il programma di autotest ha inizio.

Alla fine dell'autotest, se viene emesso un doppio segnale acustico l'apparecchio funziona correttamente.

Se vengono emessi 5 segnali acustici, è presente un malfunzionamento.

Informare il servizio assistenza clienti.

### Terminare l'autotest dell'apparecchio

Alla fine del programma l'apparecchio passa in modalità funzionamento automatico.

---

## Servizio di assistenza clienti

Trovate un centro del servizio di assistenza clienti nelle vostre vicinanze nell'elenco telefonico o nella rubrica del servizio di assistenza clienti. Comunicate al servizio di assistenza la sigla del prodotto (E-Nr.) e il numero di fabbricazione (FD-Nr.) dell'apparecchio.

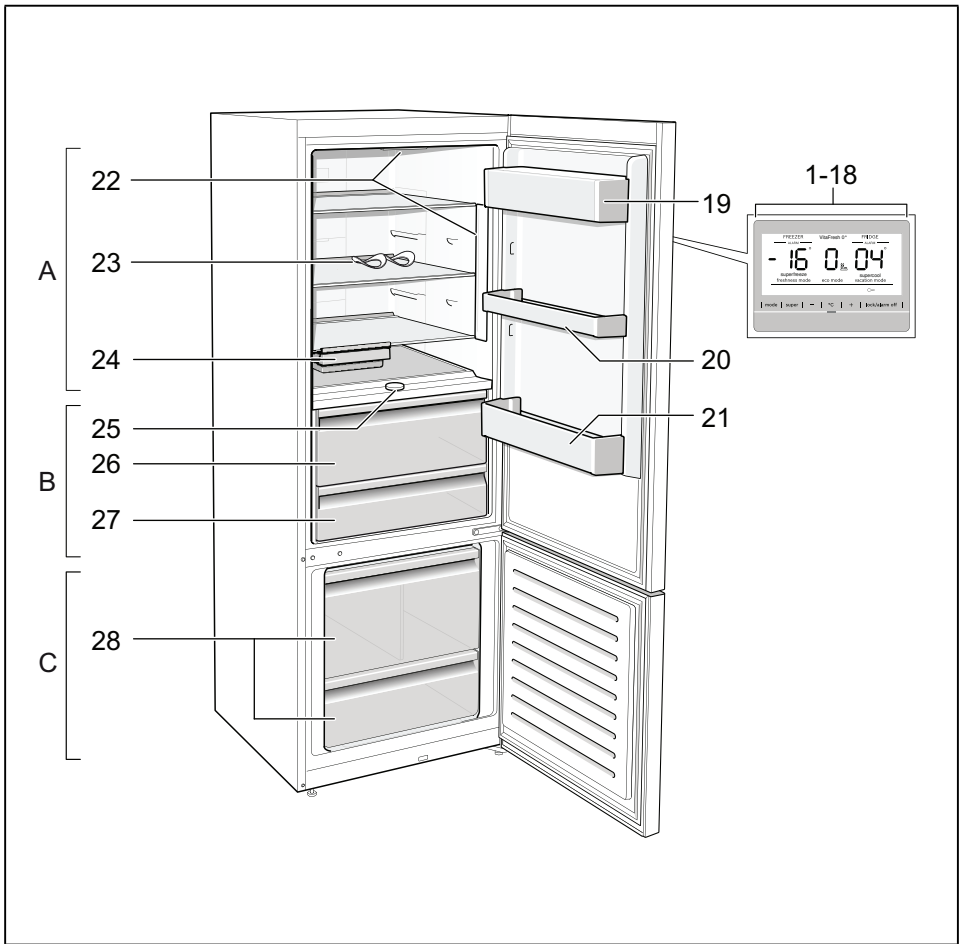
Trovate questi dati sulla targhetta identificativa. Figura **12**

Indicando il prodotto e il numero di fabbricazione contribuite ad evitare interventi a vuoto e a evitare spese supplementari.

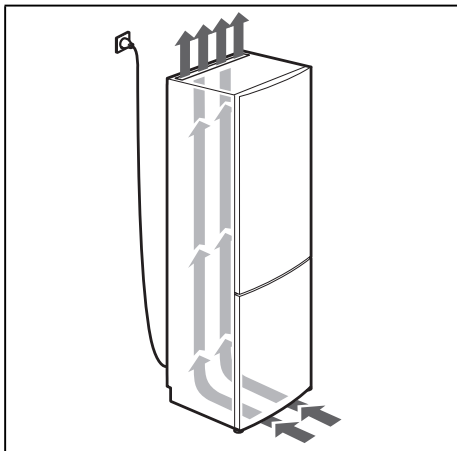
### Ordine di riparazione e consulenza in caso di guasti

Trovate i dati di contatto di tutti i paesi nell'accluso elenco dei centri di assistenza clienti.

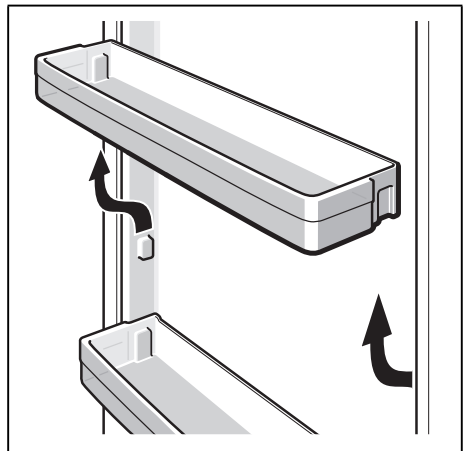
I	800-829120	Linea verde
CH	0848 840 040	



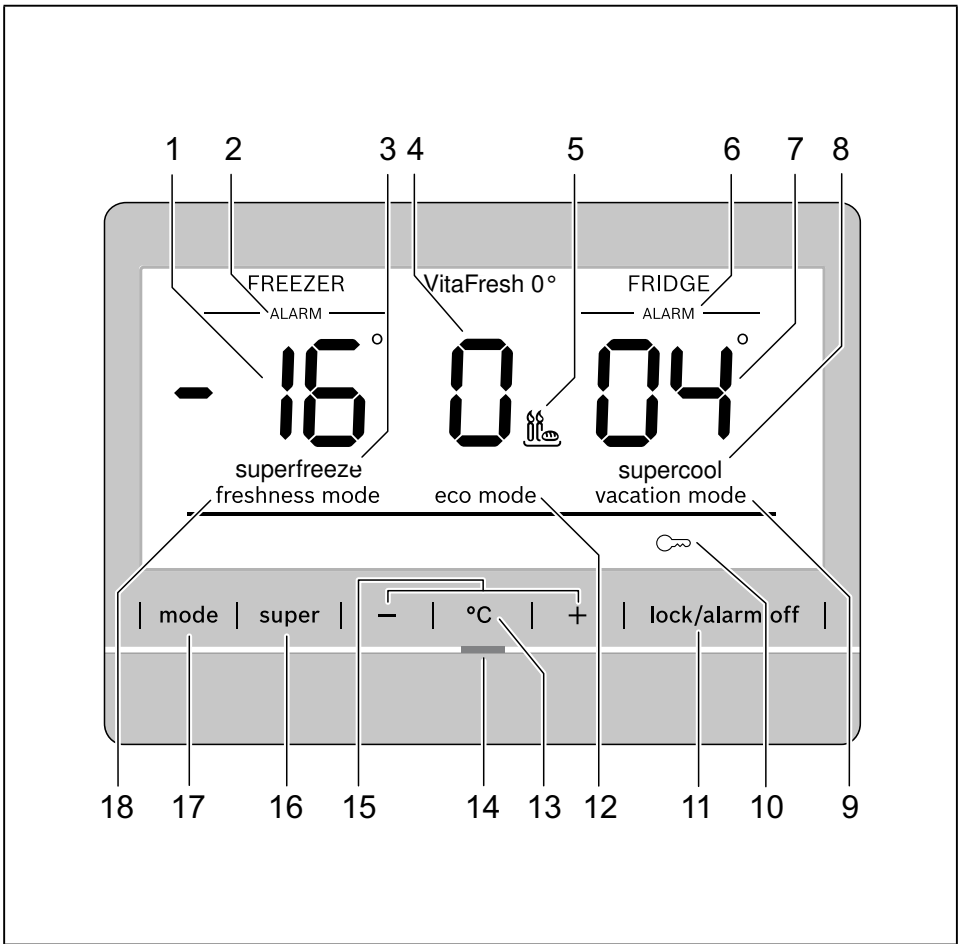
**1**



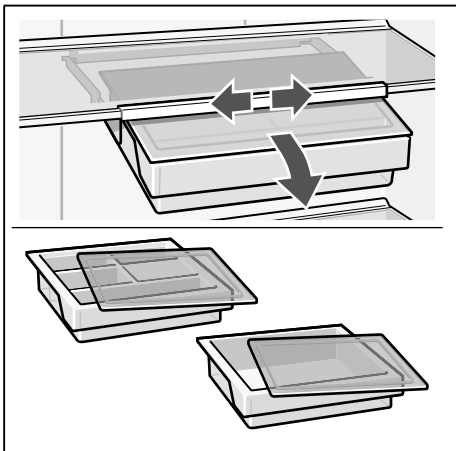
**2**



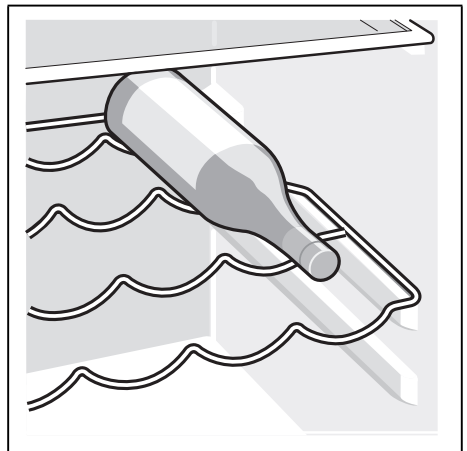
**3**



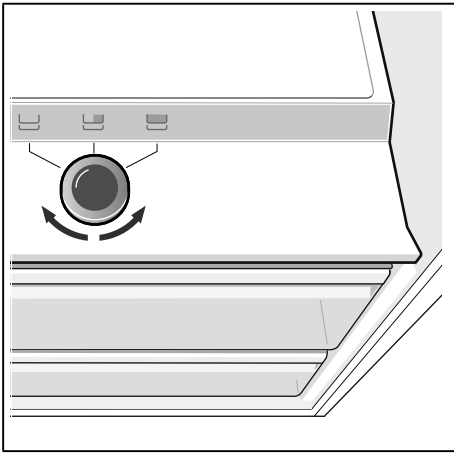
4



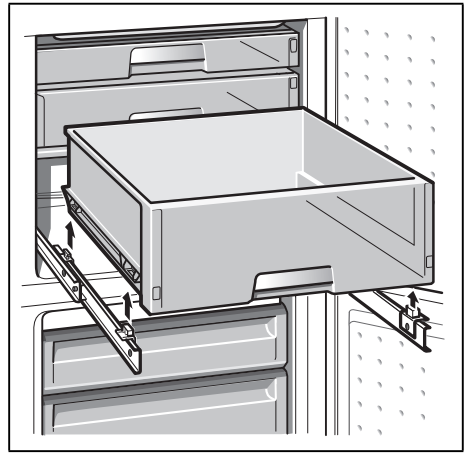
5



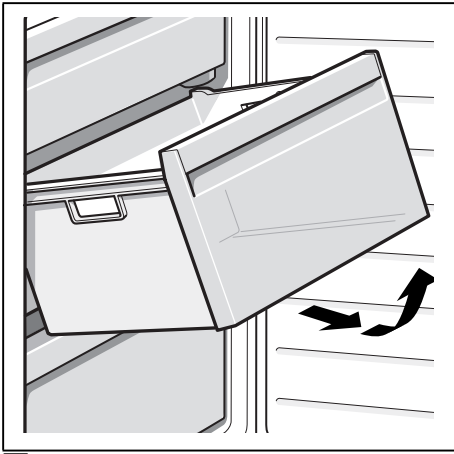
6



7



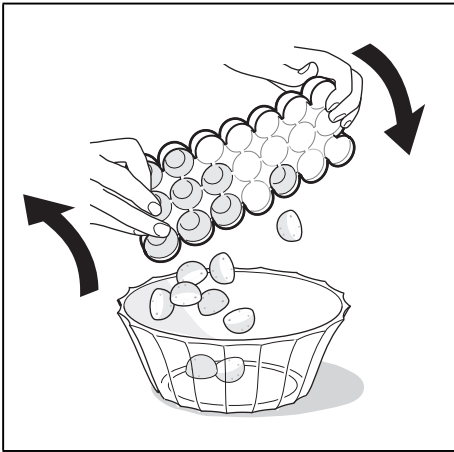
8



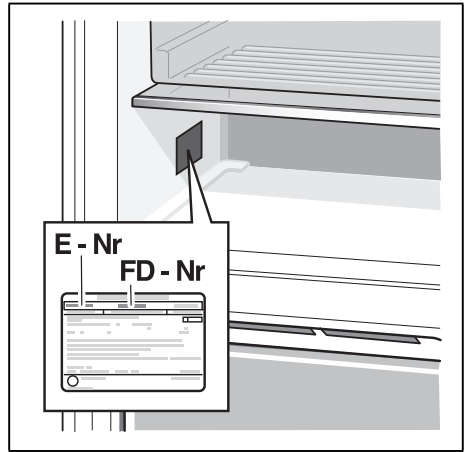
9



10



11



12



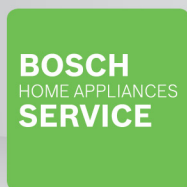
## Thank you for buying a Bosch Home Appliance!

Register your new device on MyBosch now and profit directly from:

- **Expert tips & tricks for your appliance**
- **Warranty extension options**
- **Discounts for accessories & spare-parts**
- **Digital manual and all appliance data at hand**
- **Easy access to Bosch Home Appliances Service**

Free and easy registration – also on mobile phones:

**[www.bosch-home.com/welcome](http://www.bosch-home.com/welcome)**



## Looking for help? You 'll find it here.

Expert advice for your Bosch home appliances, need help with problems or a repair from Bosch experts.

Find out everything about the many ways Bosch can support you:

**[www.bosch-home.com/service](http://www.bosch-home.com/service)**

**Contact data of all countries are listed in the attached service directory.**

### **Bosch Home Appliance Group**

P.O. Box 83 01 01

D-81701 Munich

Germany

**[www.bosch-home.com](http://www.bosch-home.com)**



**8001089779** (9904)

en, it