



Register your new Bosch now:
www.bosch-home.com/welcome



BSGL5...



BOSCH

en Operating instructions

Table of content

Safety information	4
Intended use	4
Safety information	5
Proper use	6
Notes on the energy label	9
Your vacuum cleaner	10
Replacement parts and special accessories	12
Before using the first time	14
Connecting the handle	14
Inserting the accessories	14
Initial use	15
Connecting the flexible hose	15
Putting the handle and the telescopic tube together	15
Inserting the telescopic tube into the floor nozzle	16
Adjusting the telescopic tube	16
Connecting the appliance	16
Switch on /off	17
Controlling the suction level	17
Vacuuming	18
Set the adjustable floor nozzle	18
Removing the accessories	18
Vacuuming with accessories	19
Placing back the accessories	20
Parking aid	20
Carrying the appliance	20
When the work is done	21
Disconnecting the appliance	21
Storing and transporting	21

Table of content

Dismantling22
Changing the filter23
Replacing the dust bag23
Opening the lid24
Changing the dust bag25
Cleaning the motor protection filter26
Replacing the exhaust filter27
Vacuum cleaner with micro-hygiene filter27
Vacuum cleaner with HEPA filter28
Cleaning instructions29
Disposal30
Malfunctions31
Customer service32
Conditions of guarantee33

Safety information

Congratulations on your purchase of the Bosch GL50 vacuum cleaner. You should only use original Bosch accessories, which have been specially developed for your vacuum cleaner, in order to achieve the best possible vacuuming results.

Please keep this instruction manual. When passing the vacuum cleaner on to a third party, please also pass on this instruction manual.

Intended use

This appliance is intended for domestic use only. This appliance is intended for use up to a maximum height of 2000 metres above sea level. Only use this vacuum cleaner in accordance with the instructions in this instruction manual.

In order to prevent injuries and damage, the vacuum cleaner must not be used for:

- Vacuum-cleaning persons or animals
- Vacuuming up:
 - hazardous, sharp-edged, hot or glowing substances.
 - damp or liquid substances.
 - highly flammable or explosive substances and gases.
 - ash, soot from tiled stoves and central heating systems.
 - toner dust from printers and copiers.

Safety information

Spare parts, accessories, dust bags

Our original spare parts, original (special) accessories and original dust bags are designed to work with the features and requirements of our vacuum cleaners. We therefore recommend that you only use our original spare parts, original (special) accessories and original dust bags. This will ensure that your vacuum cleaner has a long service life and that the quality of its cleaning performance will remain consistently high throughout.

!Please note

Using unsuitable or inferior-quality spare parts, (special) accessories and dust bags can damage your vacuum cleaner. Damage caused by the use of such products is not covered by our guarantee.

Safety information

This vacuum cleaner complies with the recognised rules of technology and the relevant safety regulations.

- The appliance may be used by children over the age of 8 years and by persons with reduced physical, sensory or mental capacity or by persons with a lack of experience or knowledge if they are supervised or have been instructed on the safe use of the appliance and they have understood the potential dangers of using the appliance.
 - Children must never play with the appliance.
 - Cleaning and user maintenance must never be carried out by children without supervision.
 - Plastic bags and films must be kept out of the reach of children before disposal.
- => Risk of suffocation.

Safety information

Proper use

- Only connect and use the vacuum cleaner in accordance with the specifications on the rating plate.
- Never vacuum without the dust bag or dust container, motor protection or exhaust filter.
=> This may damage the vacuum cleaner.
- Always keep the vacuum cleaner away from your head when using nozzles and tubes.
=> This could cause injury!
- When vacuuming stairs, the appliance must always be positioned below the user.
- Do not use the power cord or the hose to carry or transport the vacuum cleaner.
- For safety reasons, if this appliance's mains power cable becomes damaged, it must be replaced by the manufacturer, their after-sales service department or a similarly qualified person.
- If using the appliance for longer than 30 minutes, pull out the power cord completely.
- When disconnecting the appliance from the mains, pull on the plug itself to remove it; do not pull on the power cord.
- Do not pull the power cord over sharp edges or allow it to be-trapped.
- When the cable is being automatically rewound, ensure that the mains plug is not thrown towards persons, body parts, animals or objects.
=> Use the mains plug to guide the power cord.
- Pull out the mains plug before carrying out any work on the vacuum cleaner.

Safety information

- Do not operate the vacuum cleaner if it is damaged. Unplug the appliance from the mains if a fault is detected.
- For safety reasons, only authorised after-sales service personnel are permitted to carry out repairs and fit replacement parts to the vacuum cleaner.
- Protect the vacuum cleaner from the weather, moisture and sources of heat.
- Do not pour flammable substances or substances containing alcohol onto the filters (dust bag, motor protection filter, exhaust filter, etc.).
- The vacuum cleaner is not suitable for use on construction sites.
=> Vacuuming up building rubble could damage the appliance.
- When not in use, switch off the appliance and pull out

Safety information

! Please note

The mains socket must be protected by at least a 16 amp circuit breaker.

If a circuit breaker is tripped when you switch on the vacuum cleaner, this may be because other electrical appliances which have a high current draw are connected to the same power circuit.

To prevent the circuit breaker from tripping, select the lowest power setting before switching the appliance on, and increase the power only once it is running.

■ Accessories

Your accessories (nozzle, suction pipe, etc.) may look different from but work in the same way as those depicted in the illustrations in this instruction manual.

Notes on the energy label

This vacuum cleaner is a general purpose vacuum cleaner with a primary hose.

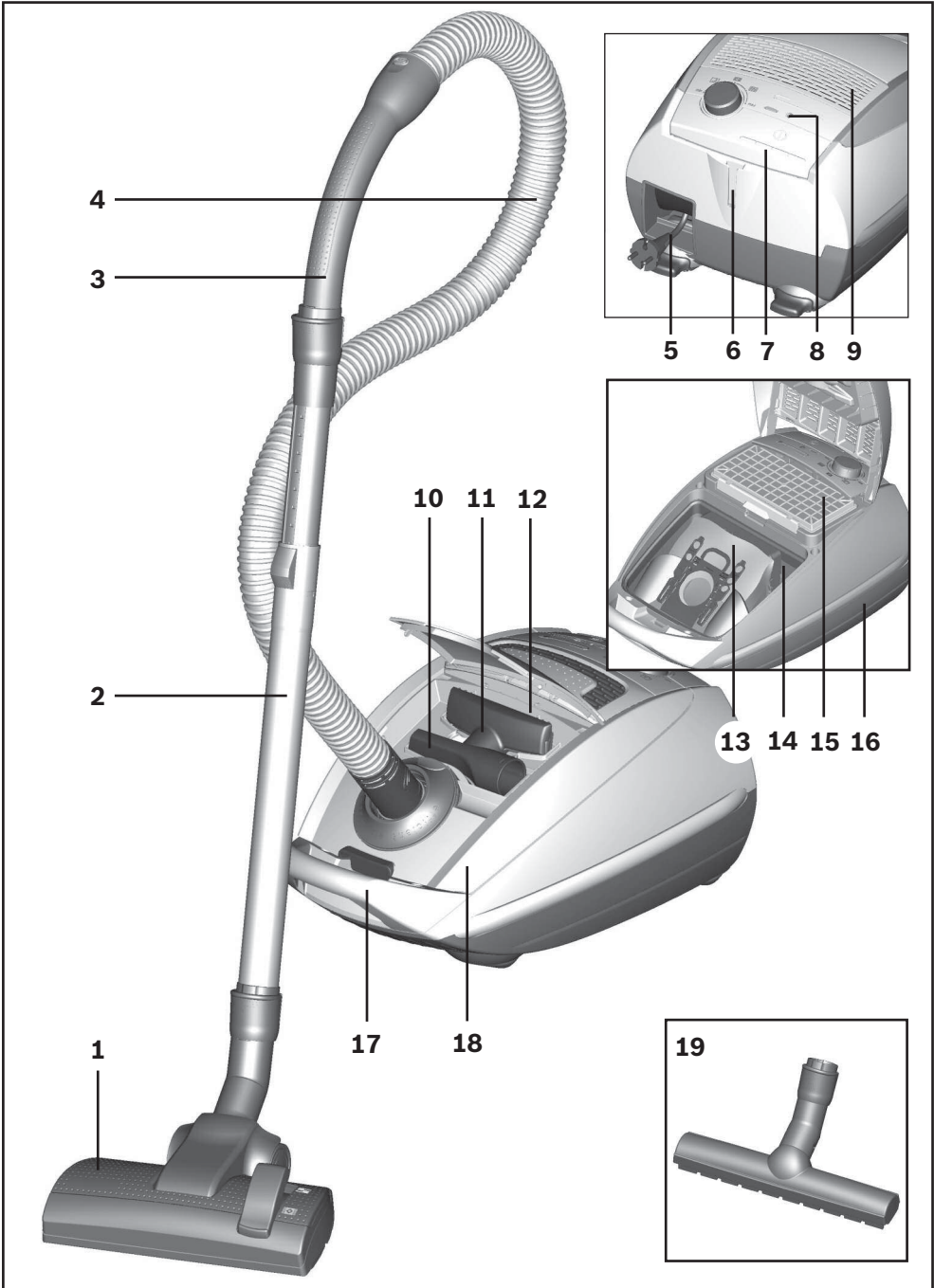
To achieve the declared energy efficiency and cleaning performance class on carpet, please use the interchangeable universal nozzle.

To achieve the declared energy efficiency and cleaning performance class on hard floor with nooks and crannies, please use the hard floor nozzle provided.

These calculations are based on the Commission Delegated Regulation (EU) No. 665/2013 of 3rd May 2013 supplementing Directive 2010/30/EU. Unless otherwise stated, all the procedures referred to in these instructions were carried out in accordance with the EN 60312-1:2017* standard.

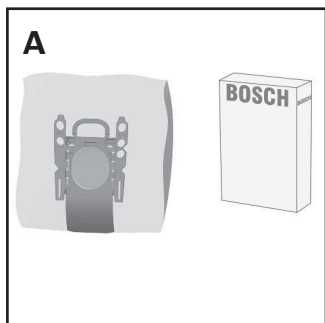
*As the motor service test is carried out with the dust collector empty, the stated motor service life must be increased by 10% for tests with the dust collector half filled.

Your vacuum cleaner



Your vacuum cleaner

- ① Adjustable floor tool
- ② Telescopic tube
- ③ Handle
- ④ Flexible hose
- ⑤ Power cord
- ⑥ Parking aid
- ⑦ On/off button
- ⑧ Dust bag change indicator
- ⑨ Exhaust grille
- ⑩ Upholstery nozzle
- ⑪ Crevice nozzle
- ⑫ Accessories compartment
- ⑬ Dust bag
- ⑭ Motor protection filter, washable
- ⑮ Exhaust filter
- ⑯ Storage aid (on underside of appliance)
- ⑰ Carrying handle
- ⑱ Dust bag compartment lid
- ⑲ Hard floor tool



A Replacement filter pack

Type Power Protect Dustbag
No.:00577549

Contents:

- 4 dust bags with fasteners
- 1 micro-hygiene filter

We therefore recommend that you only use our original dust bags.

Your appliance is a highly efficient vacuum cleaner that achieves excellent cleaning results when used with high-quality dust bags.

Only by using high-quality dust bags (such as Bosch original dust bags) can you ensure that your vacuum cleaner is working at the energy efficiency class, dust pick-up rate and dust retention capacity listed on its EU energy label.

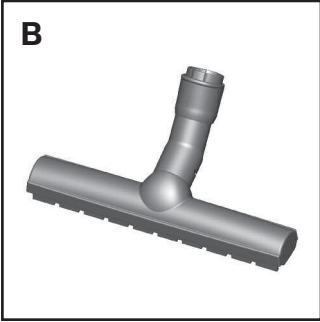
The use of inferior-quality dust bags (e.g. paper bags) can have a negative effect on the service life and performance of your appliance.

Using unsuitable or inferior-quality dust bags can also damage your vacuum cleaner. Such damage is not covered by our guarantee.

You can find more information about this at www.bosch-home.com/dust-bag. You can order our original vacuum cleaner bags here.

Replacement parts and special accessories

B



B Hard-floor nozzle BBZ123HD
For vacuuming hard floors
(parquet, tiles, terracotta, etc.)

Before using the first time

1

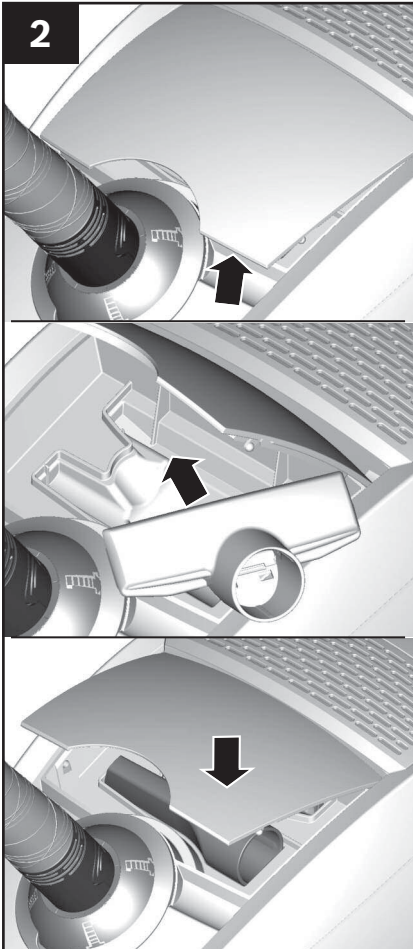


Connecting the handle

Figure 1

- Push the handle onto the flexible tube and until it engages.

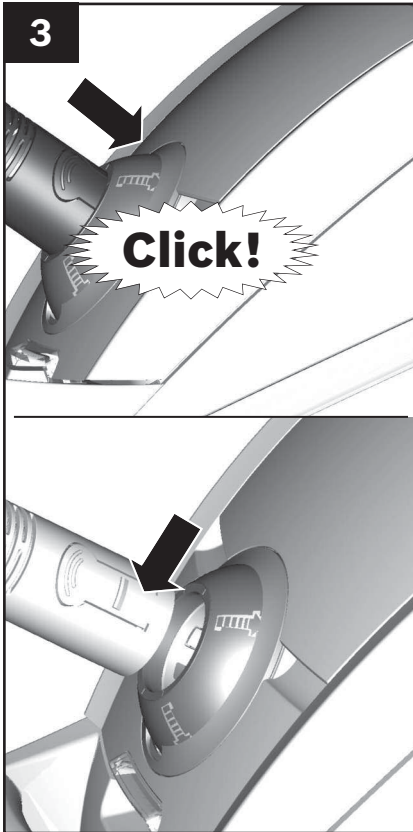
2



Inserting the accessories

Figure 2

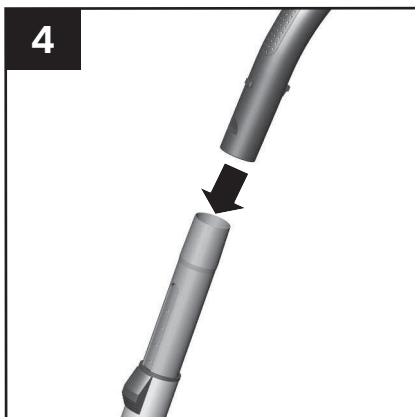
- Open the accessories compartment.
- Insert the crevice nozzle and upholstery nozzle in the accessories compartment in the appliance lid.
- Close the accessories compartment.



Connecting the flexible hose

Figure 3

- Push the flexible hose connecting piece into the air intake opening in the vacuum cleaner lid until it engages.
- To remove the flexible hose, press the two locking catches together and pull out the hose.



Putting the handle and the telescopic tube together

Figure 4

- Push the handle into the telescopic tube until it locks in place.

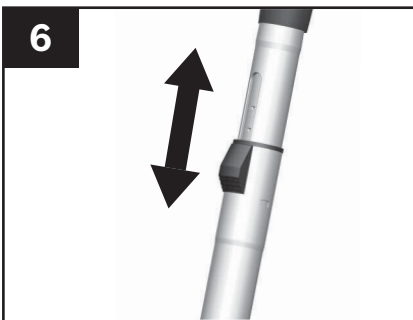
Initial use



Inserting the telescopic tube into the floor tool

Figure 5

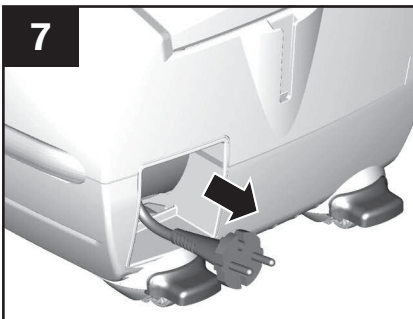
- Push the telescopic tube into the connecting piece on the floor tool until it locks in place.



Adjusting the telescopic tube

Figure 6

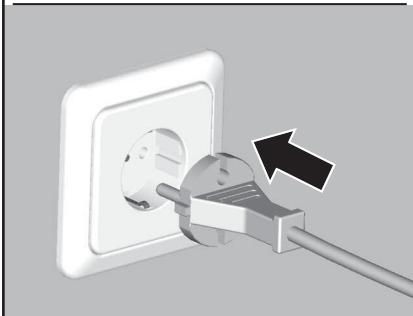
- Move the sliding sleeve in the direction of the arrow to release the telescopic tube and adjust it to the length required.



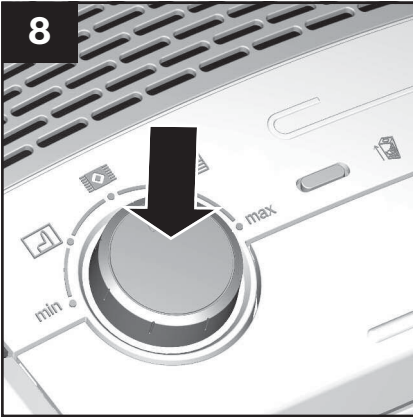
Connecting the appliance

Figure 7

- Holding the power cord by the plug, pull out to the required length and insert the plug into the mains socket.



8

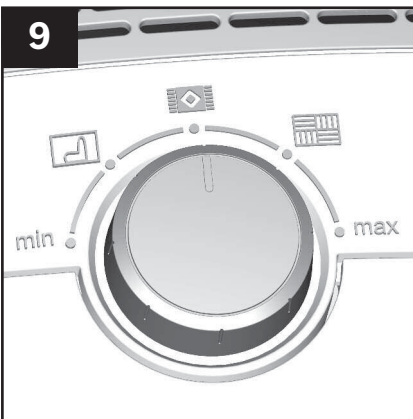


Switching on and off

Figure 8

- To switch the vacuum cleaner on or off, press the ON/OFF button.




9



Controlling the suction level

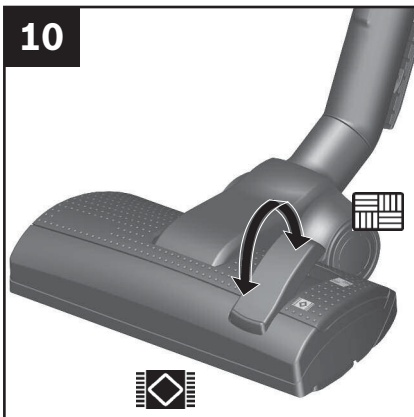
Figure 9

The required suction level can be set to the level required by turning the control knob in the direction of the arrow.

- Low power range => 
For vacuuming delicate materials, e.g. delicate upholstery, curtains, etc.
- Medium power range => 
For daily vacuuming of lightly soiled floors.
- High power range => 
For vacuuming durable floor coverings, hard floors and heavily soiled surfaces.

! Caution

Floor nozzles are subject to a certain amount of wear, depending on the type of hard floors you have (e.g. rough, rustic tiles). You must therefore check the underside of the floor nozzle at regular intervals. Worn undersides of floor nozzles may have sharp edges that can damage sensitive hard floors, such as parquet or linoleum. The manufacturer does not accept any responsibility for damage caused by worn floor nozzles.



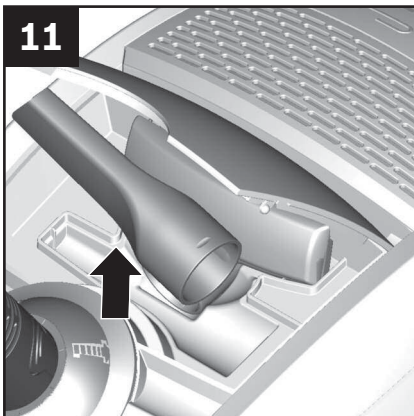
Set the adjustable floor nozzle

Figure 10

Adjusting the floor tool:

▪ Rugs and carpets => 

▪ Hard floors/parquet => 

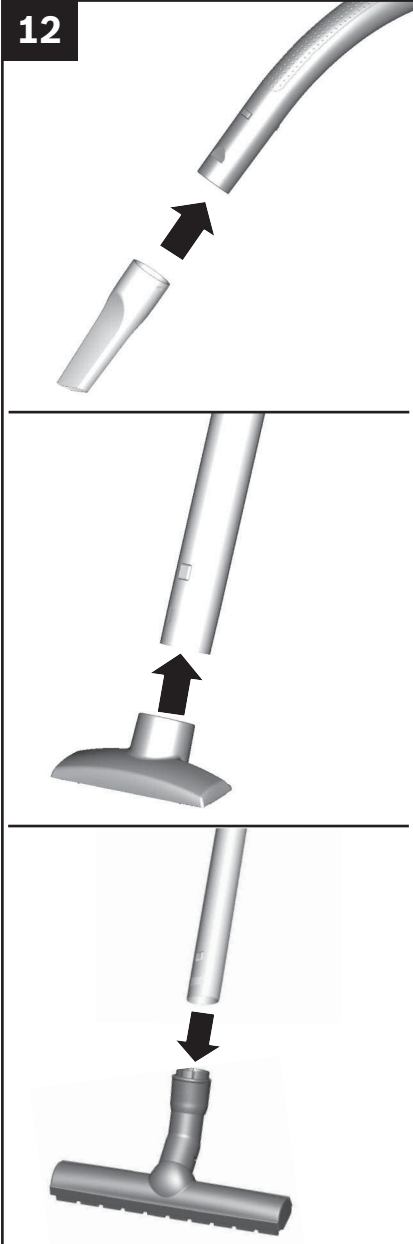


Removing the accessories

Figure 11

- Remove the crevice nozzle or upholstery nozzle from the accessories compartment in the appliance lid.

12



Vacuumping with accessories

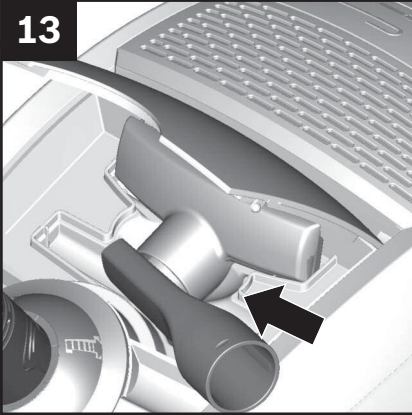
Attach the nozzles to the suction pipe or handle as required:

Figure 12

- Crevice nozzle for vacuumping crevices and corners, etc.
- Upholstery nozzle for vacuumping upholstered furniture, curtains, etc.
- Hard-floor tool
For vacuumping hard floor coverings (tiles, parquet flooring, etc.)

Push the telescopic tube into the connecting piece of the hard floor tool until it locks in place.

13

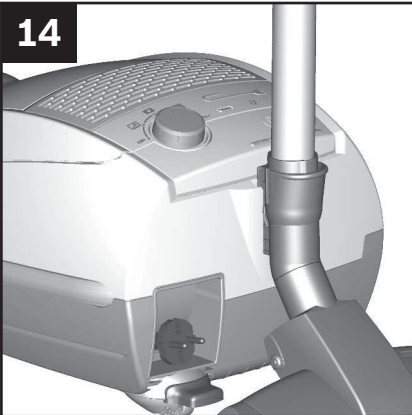


Placing back the accessories

Figure 13

- After use, place the crevice or upholstery nozzle back into the accessories compartment in the appliance lid.

14

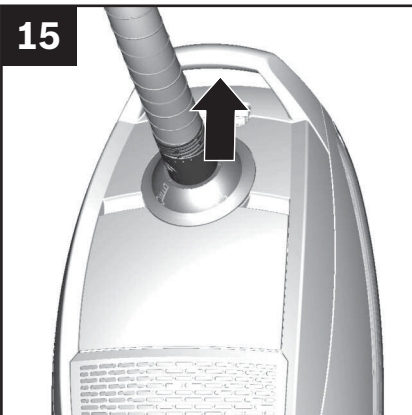


Parking aid

Figure 14

- You can use the parking aid on the back of the appliance if you wish to stop vacuuming for a short time.
- Once you have switched off the appliance, slide the hook on the floor tool into the recess on the rear of the appliance.

15



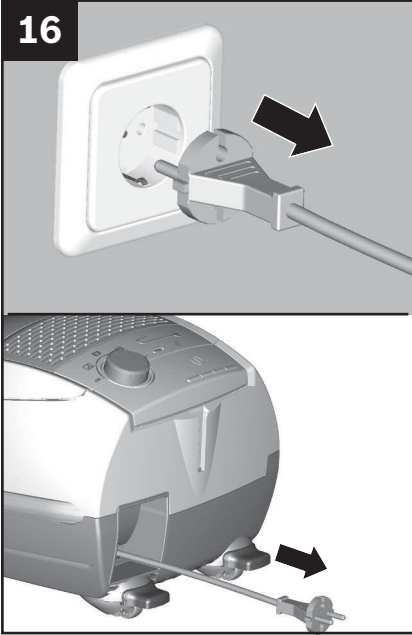
Carrying the appliance

Figure 15

- To overcome obstacles, e.g. steps, the appliance can also be carried by the handle on the appliance body.

When the work is done

16

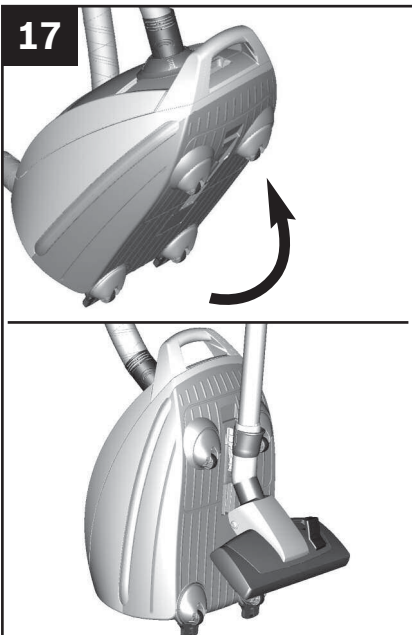


Disconnecting the appliance

Figure 16

- Pull out the mains plug.
- Tug the power cord briefly and then let go (the power cord retracts automatically).

17



Storing and transporting

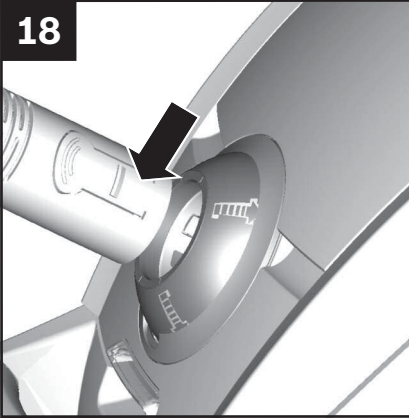
Figure 17

To store or transport the appliance, you can use the storage aid on the underside of the appliance.

- Stand the appliance up on its end. Slide the catch on the floor tool into the groove on the underside of the appliance.

Dismantling

18

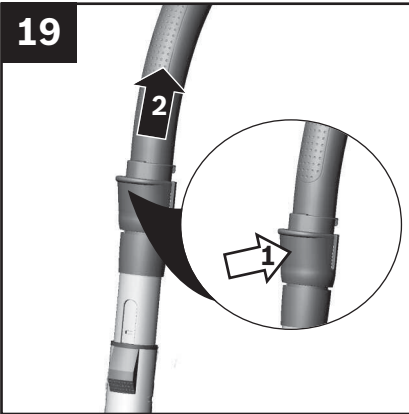


Removing the flexible hose

Figure 18

- To remove the flexible hose, press the two catches together and pull out the hose.

19

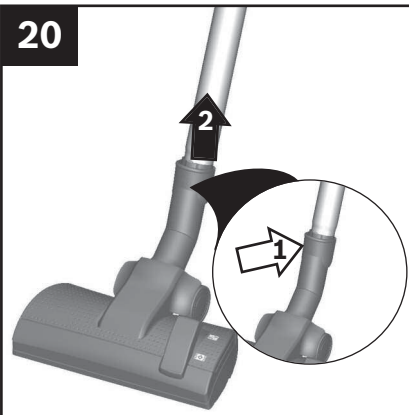


Disconnecting handle and telescopic tube

Figure 19

- To release the connection, press the locking collar and pull out the telescopic tube.

20



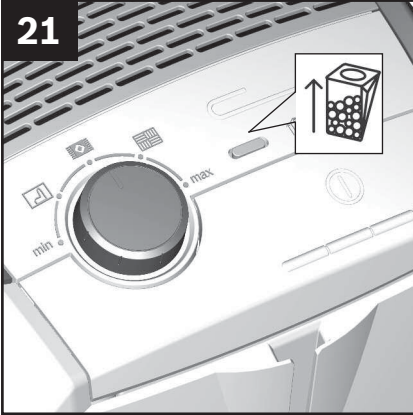
Disconnecting floor nozzle and telescopic tube

Figure 20

- To release the connection, press the locking collar and pull out the telescopic tube.

Changing the filter

21



Replacing the dust bag

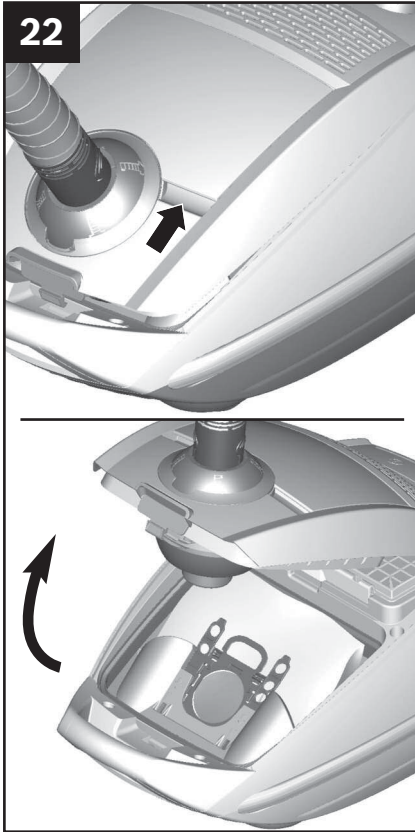
- ! **Please note:** Always switch off the appliance before changing the filter.

Figure 21

- If the dust bag change indicator lights up red continuously when the floor tool is lifted from the floor and the highest power setting has been selected, the dust bag must be changed, even though it may not yet be full. Even if the dust bag is not full, it may still need changing, due to the type of dust which has been vacuumed.

First check that the nozzle, suction pipe and flexible hose are not blocked, as this would also lead to the dust bag change indicator being triggered.

Changing the filter



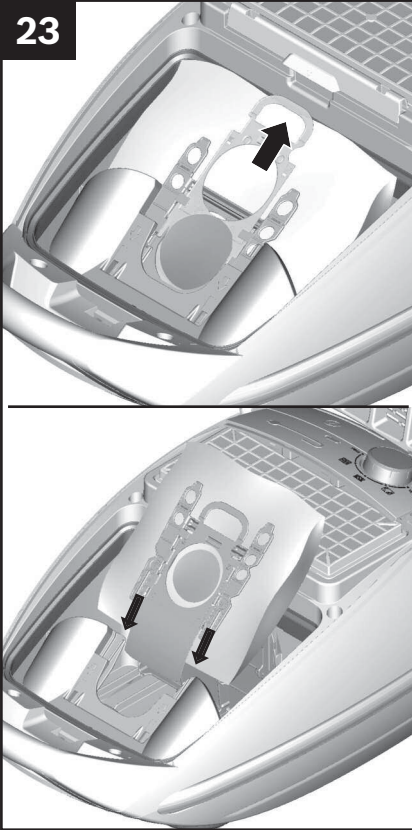
Opening the lid

Figure 22

- Open the lid by moving the locking lever in the direction of the arrow.

Changing the filter

23



Changing the dust bag

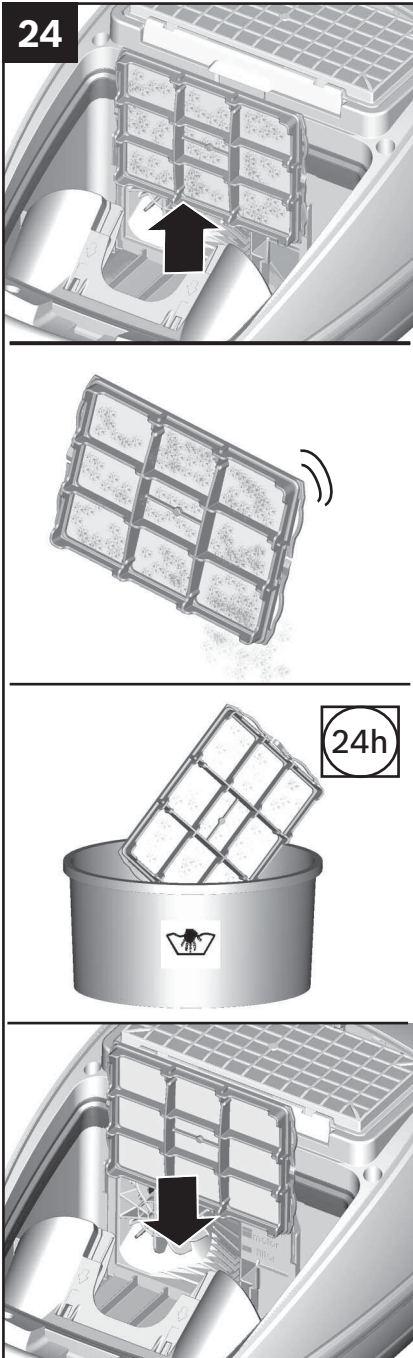
Figure 23

- Seal the dust bag by pulling the sealing plate, and remove the bag.
- Slide the new dust bag into the holder up to the stop.

!Please note:

the lid will only close if a dust bag has been inserted.

Changing the filter



Cleaning the motor protection filter

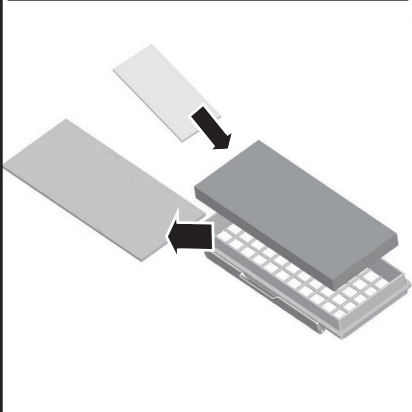
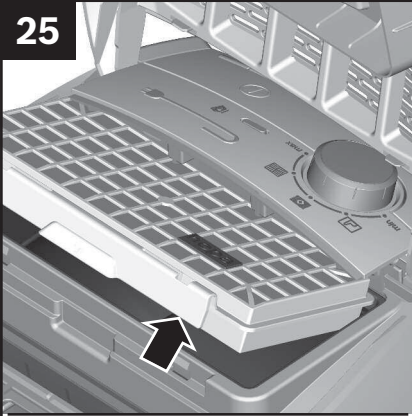
The motor protection filter should be cleaned regularly by knocking out the dirt and rinsing.

Figure 24

- Open the dust bag compartment lid. **Figure 22**
- Remove the motor protection filter from the appliance in the direction of the arrow.
- Clean the motor protection filter by tapping out the dirt.
- If it is very dirty, the motor protection filter should be rinsed. The filter must then be left to dry for at least 24 hours.
- After cleaning insert the motor protection filter into the appliance and close the dust bag compartment lid.

Changing the filter

25



Replacing the exhaust filter

Replacing the micro-hygiene filter

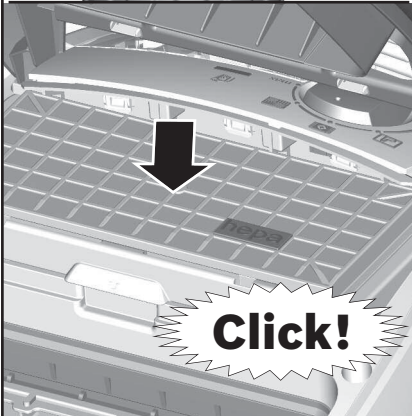
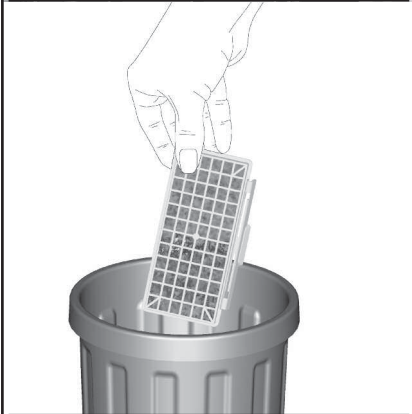
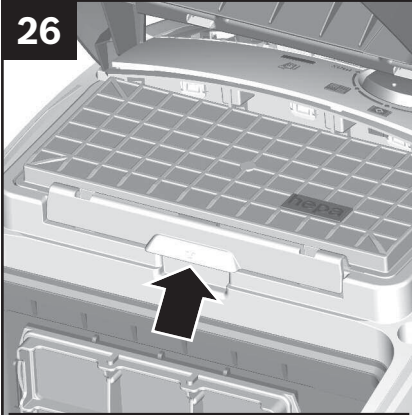
This should be replaced with every replacement filter pack

Figure 25

- Open the dust bag compartment lid. **Figure 22**
- Release the filter holder by moving the locking lever in the direction of the arrow.
- Remove the micro-hygiene filter. Insert the new micro-hygiene filter into the appliance.
- Insert the filter holder in the appliance and lock it in place.

Changing the filter

26



Your HEPA filter is generally washable, but we recommend changing the filter for more hygienic handling.

Replacing the HEPA filter

If your vacuum cleaner is equipped with a HEPA filter, this should be replaced once a year.

Figure 26

- Open the dust bag compartment lid. **Figure 22**
- Unlock the Hepa filter by turning the locking lever in the direction of the arrow and remove the filter from the appliance.

!Note: If you tap the filter and then wash it out, the filter have to dry for at least 24 hours before resetting the filter.

- Insert the new HEPA filter and lock it in place.

If you have vacuumed up fine dust particles, replace if necessary the motor protection filter and the HEPA filter.

Cleaning instructions

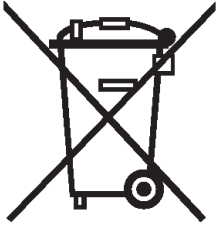
Always switch off the vacuum cleaner and disconnect the power cord from the mains before cleaning the vacuum cleaner. The vacuum cleaner and plastic accessories can be cleaned with an ordinary plastic cleaner.



Caution: do not use a scourer, glass-cleaning agent or multipurpose cleaning product. Never immerse the vacuum cleaner in water.

Subject to technical modifications.

Disposal



This appliance is labelled in accordance with European Directive 2012/19/EU concerning used electrical and electronic appliances (waste electrical and electronic equipment - WEEE). The guideline determines the framework for the return and recycling of used appliances as applicable throughout the EU.

Disposal information

■ Packaging

The packaging is designed to protect the vacuum cleaner from being damaged during transportation. It is made of environmentally friendly materials and can therefore be recycled.

Dispose of packaging that is no longer required at an appropriate recycling point.

■ Old appliances

Old appliances still contain many valuable materials. Therefore, please take appliances that have reached the end of their service to your retailer or recycling centre so that they can be recycled.

For current disposal methods, please enquire at a retailer or your local council.

■ Disposal of filters and dust bags

Filters and dust bags are manufactured from environmentally friendly materials. Provided they do not contain substances that are not permitted in household waste, you can dispose of them with your normal household waste.

Malfunctions

In the following cases, you must stop the appliance immediately and contact the after-sales service:

- If the power cord is damaged.
- If you have accidentally vacuumed up some liquid or liquid has entered the inside of the appliance;
- If the appliance has been dropped and damaged.

In these cases, the electrical safety of the appliance could no longer be guaranteed, even if no external damage is visible.

Occuring malfunction	Possible cause	Corrective action
The circuit breaker is tripped when you switch on the vacuum cleaner.	Other electrical appliances which have a high current draw are connected to the same power circuit.	Please select the lowest power setting before switching the appliance on and increase the power only once it is running.
Suction power is reducing.	Nozzle, suction pipe and / or suction hoses are blocked.	Please separate the telescopic tube from the hose and nozzle and the suction device and handle. Slide along the telescopic tube. Loosen and remove the obstruction.
	Dust bag is full.	Please replace the dust bag.
	Hepa filter is dirty.	Please replace the HEPA filter. You can order a new filter from our aftersales service using the following order no.: 00576831

Customer service

GB Great Britain
BSH Home Appliances Ltd.
Grand Union House
Old Wolverton Road
Wolverton
Milton Keynes MK12 5PT

To arrange an engineer visit, to order spare parts and accessories
or for product advice please visit:

www.bosch-home.co.uk

or call

Tel.: 0344 892 8979*

*Calls are charged at the basic rate, please check with your telephone service
provider for exact charges

Conditions of guarantee

For this appliance the guarantee conditions as set out by our representatives in the country of sale apply. Details regarding same may be obtained from the dealer from whom the appliance was purchased. For claims under guarantee the sales receipt must be produced.



8001061292

970413