



Register your new Bosch now:
www.bosch-home.com/welcome



Fridge-freezer
Soğutucu/Dondurucu kombine cihazı
Холодильно-морозильная комбинация
KDN..



BOSCH

en Instruction for Use
tr Kullanma kılavuzu
ru Инструкция по эксплуатации

en Table of Contents

Safety and warning information	4	Freezing and storing food	16
Information concerning disposal	7	Freezing fresh food	17
Scope of delivery	8	Super freezing	18
Ambient temperature and ventilation .	8	Thawing frozen food	18
Connecting the appliance	8	Interior fittings	18
Getting to know your appliance	9	Sticker "OK"	19
Switching the appliance on	11	Switching off and disconnecting the appliance	19
Setting the temperature	11	Defrosting	20
Special functions	12	Cleaning the appliance	20
Alarm function	13	Light (LED)	20
Usable capacity	14	Tips for saving energy	21
Refrigerator compartment	14	Operating noises	21
Super cooling	16	Eliminating minor faults yourself	22
Freezer compartment	16	Customer service	25
Max. freezing capacity	16		

tr İçindekiler

Güvenlik ve ikaz bilgileri	26	depolanması	38
Giderme bilgileri	29	Taze besinlerin dondurulması	39
Teslimat kapsamı	30	Süper dondurma	40
Mekan sıcaklığına ve havalandırmaya dikkat edilmelidir	31	Dondurulmuş besinlerin buzunun çözülmesi	40
Cihazın elektrik şebekesine bağlanması	31	Donanım	41
Cihaz özelliklerinin öğrenilmesi	32	Çıkartma "OK"	41
Cihazın devreye sokulması	33	Cihazın kapatılması, cihazın tamamen kapatılması	42
Sıcaklık derecesinin ayarlanması	33	Cihazın buzunun çözülmesi	42
Özel fonksiyonlar	34	Cihazın temizlenmesi	42
Alarm fonksiyonu	35	Aydınlatma (LED)	43
Kullanılabilen hacim	36	Enerji tasarrufu	43
Soğutucu bölmesi	36	Çalışma sesleri	44
Süper soğutma	37	Basit hataları kendiniz giderebilirsiniz	45
Dondurucu bölmesi	38	Müşteri Hizmetleri	48
Azami dondurma kapasitesi	38		
Besinlerin dondurulması ve			

ru Содержание

Указания по безопасности и предупреждения	50	Замораживание и хранение продуктов	65
Указания по утилизации	54	Замораживание свежих продуктов питания	65
Объем поставки	55	Суперзамораживание	67
Температура окружающей среды и вентиляция	55	Размораживание продуктов	67
Подключение бытового прибора ...	56	Специальное оснащение	68
Знакомство с бытовым прибором .	57	Наклейка «ОК»	68
Включение бытового прибора	58	Выключение прибора и вывод его из эксплуатации	69
Установка температуры	59	Размораживание	69
Специальные функции	59	Чистка прибора	69
Предупредительная функция	61	Освещение (на светодиодах)	70
Полезный объем	62	Как сэкономить электроэнергию ..	70
Холодильное отделение	62	Рабочие шумы	71
Суперохлаждение	64	Самостоятельное устранение мелких неисправностей	72
Морозильное отделение	64	Сервисная служба	75
Макс. производительность замораживания	65		

Safety and warning information

Before you switch ON the appliance

Please read the operating and installation instructions carefully! They contain important information on how to install, use and maintain the appliance. The manufacturer is not liable if you fail to comply with the instructions and warnings. Retain all documents for subsequent use or for the next owner.

Technical safety

The tubes of the refrigeration circuit convey a small quantity of an environmentally friendly but flammable refrigerant (R600a). It does not damage the ozone layer and does not increase the greenhouse effect. If refrigerant escapes, it may injure your eyes or ignite.

If damage has occurred

- Keep naked flames and/or ignition sources away from the appliance,
- thoroughly ventilate the room for several minutes,
- switch off the appliance and pull out the mains plug,
- inform customer service.

The more refrigerant an appliance contains, the larger the room must be in which the appliance is situated. Leaking refrigerant can form a flammable gas-air mixture in rooms which are too small. The room must be at least 1 m³ per 8 g of refrigerant. The amount of refrigerant in your appliance is indicated on the rating plate inside the appliance.

If the power cord of this appliance is damaged, it must be replaced by the manufacturer, customer service or a similarly qualified person. Improper installations and repairs may put the user at considerable risk.

Repairs may be performed by the manufacturer, customer service or a similarly qualified person only.

Only original parts supplied by the manufacturer may be used. The manufacturer guarantees that only these parts satisfy the safety requirements.

A extension cable may be purchased from customer service only.

Important information when using the appliance

- Never use electrical appliances inside the appliance (e.g. heater, electric ice maker, etc.). Explosion hazard!
- Never defrost or clean the appliance with a steam cleaner! The steam may penetrate electrical parts and cause a short-circuit. Risk of electric shock!
- Do not use pointed and sharp-edged implements to remove frost or layers of ice. You could damage the refrigerant tubes. Leaking refrigerant may cause eye injuries or ignite.
- Do not store products which contain flammable propellants (e.g. spray cans) or explosive substances in the appliance. Explosion hazard!
- Do not stand on or lean heavily against base of appliance, drawers or doors, etc
- For cleaning pull out mains plug or switch off fuse. Do not pull out the mains plug by tugging on the power cord.
- Store high-percentage alcohol tightly closed and standing up.
- Keep plastic parts and the door seal free of oil and grease. Otherwise, parts and door seal will become porous.

en

- Never cover or block the ventilation openings of the appliance!

- **Avoiding placing children and vulnerable people at risk:**

At risk are children, people who have limited physical, mental or sensory abilities, as well as people who have inadequate knowledge concerning safe operation of the appliance.

Ensure that children and vulnerable people have understood the hazards.

A person responsible for safety must supervise or instruct children and vulnerable people who are using the appliance.

Only children from 8 years and above may use the appliance.

Supervise children who are cleaning and maintaining the appliance.

Never allow children to play with the appliance.

- Do not store bottled or canned drinks (especially carbonated drinks) in the freezer compartment. Bottles and cans may burst!
- Never put frozen food straight from the freezer compartment into your mouth.
Risk of low-temperature burns!
- Avoid prolonged touching of frozen food, ice or the evaporator pipes, etc.
Risk of low-temperature burns!

Children in the household

- Keep children away from packaging and its parts.
Danger of suffocation from folding cartons and plastic film!
- Do not allow children to play with the appliance!
- If the appliance features a lock:
keep the key out of the reach of children!

General regulations

The appliance is suitable

- for refrigerating and freezing food,
- for making ice,
- for dispensing drinking water.

This appliance is intended for use in the home and the home environment.

The appliance is suppressed according to EU Directive 2004/108/EC.

The refrigeration circuit has been checked for leaks.

This product complies with the relevant safety regulations for electrical appliances (EN 60335-2-24).

This appliance is intended for use up to a maximum height of 2000 metres above sea level.

Information concerning disposal

Disposal of packaging

The packaging protects your appliance from damage during transit. All utilised materials are environmentally safe and recyclable. Please help us by disposing of the packaging in an environmentally friendly manner.

Please ask your dealer or inquire at your local authority about current means of disposal.

Disposal of your old appliance

Old appliances are not worthless rubbish! Valuable raw materials can be reclaimed by recycling old appliances.



This appliance is labelled in accordance with European Directive 2012/19/EU concerning used electrical and electronic appliances (waste electrical and electronic equipment - WEEE). The guideline determines the framework for the return and recycling of used appliances as applicable throughout the EU.



Warning

Redundant appliances

1. Pull out the mains plug.
2. Cut off the power cord and discard with the mains plug.
3. Do not take out the trays and receptacles: children are therefore prevented from climbing in!
4. Do not allow children to play with the appliance once it has spent its useful life. Danger of suffocation!

Refrigerators contain refrigerant and gases in the insulation. Refrigerant and gases must be disposed of professionally. Ensure that tubing of the refrigerant circuit is not damaged prior to proper disposal.

Scope of delivery

After unpacking all parts, check for any damage in transit.

If you have any complaints, please contact the dealer from whom you purchased the appliance or our customer service.

The delivery consists of the following parts:

- Free-standing appliance
- Interior fittings (depending on model)
- Bag containing installation materials
- Operating instructions
- Installation manual
- Customer service booklet
- Warranty enclosure
- Information on the energy consumption and noises

Ambient temperature and ventilation

Ambient temperature

The appliance is designed for a specific climate class. Depending on the climate class, the appliance can be operated at the following temperatures.

The climate class can be found on the rating plate. Fig. **10**

Climate class	Permitted ambient temperature
SN	+10 °C to 32 °C
N	+16 °C to 32 °C
ST	+16 °C to 38 °C
T	+16 °C to 43 °C

Note

The appliance is fully functional within the room temperature limits of the indicated climatic class. If an appliance of climatic class SN is operated at colder room temperatures, the appliance will not be damaged up to a temperature of +5 °C.

Ventilation

Fig. **3**

The air on the rear panel and on the side panels of the appliance heats up. Conduction of the heated air must not be obstructed. Otherwise, the refrigerating unit must work harder. This increases power consumption. Therefore: Never cover or block the ventilation openings!

Connecting the appliance

After installing the appliance, wait at least 1 hour until the appliance is switched on. During transportation the oil in the compressor may have flowed into the refrigeration system.

Before switching on the appliance for the first time, clean the interior of the appliance (see chapter “Cleaning the appliance”).

Electrical connection

The socket must be near the appliance and also freely accessible following installation of the appliance.

The appliance complies with the protection class I. Connect the appliance to 220–240 V/50 Hz alternating current via a correctly installed socket with protective conductor. The socket must be fused with a 10 to 16 A fuse.

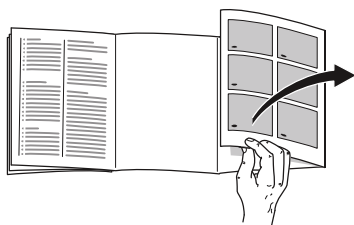
For appliances operated in non-European countries, check whether the stated voltage and current type match the values of your mains supply. This information can be found on the rating plate. Fig. 10

Warning

Never connect the appliance to electronic energy saver plugs.

Our appliances can be used with mains and sine-controlled inverters. Mains-controlled inverters are used for photovoltaic systems which are connected directly to the national grid. Sine-controlled inverters must be used for isolated applications (e.g. on ships or in mountain lodges) which are not connected directly to the national grid.

Getting to know your appliance



Please fold out the illustrated last page. These operating instructions refer to several models.

The features of the models may vary.

The diagrams may differ.

Fig. 1

* Not all models.

- 1-9 Controls
- 10 Light switch for freezer compartment
- 11 On/Off button
- 12* Fast freezer compartment
- 13 Light switch for refrigerator compartment
- 14 Extendable glass shelf
- 15 Air outlet opening
- 16 Light (LED)
- 17 Shelf in the refrigerator compartment
- 18 Cold storage compartment
- 19 Vegetable container
- 20 Height-adjustable feet
- 21 Door shelf
- 22* Ice maker
- 23* Ice cube container
- 24 Egg rack
- 25 Door shelf
- 26 Shelf for large bottles

- A Freezer compartment
- B Refrigerator compartment

Controls

Fig. 2

1 **Temperature display freezer compartment**

The numbers correspond to the set freezer compartment temperatures in °C.

2 **“timer” button**

You can use this function to set a period of time and be reminded by an acoustic signal. See chapter entitled “Special functions”.

3 **Mode button**

For selecting the special functions. See chapter entitled “Special functions”.

4 **Temperature display refrigerator compartment**

The numbers correspond to the set refrigerator compartment temperatures in °C.

5 **Special functions display**

See chapter entitled “Special functions”.

6 **Setting buttons**

You can use the “+” and “-” button to set the temperature of the refrigerator and freezer compartment. In addition, special functions can be switched on and off.

7 **Selection button for the refrigerator or freezer compartment**

To set the refrigerator or freezer compartment, press the selection button until the required area of the refrigerator or freezer compartment display is activated.

8 **“super” button**

For switching on the Super cooling (refrigerator compartment) function or Super freezing (freezer compartment) function.

See chapter entitled “Super cooling” or “Super freezing”.

9 **Alarm button**

Used to switch off the warning signal, see chapter “Alarm function”.

Switching the appliance on

Switch on the appliance with the On/Off button **1**/11.

A warning signal sounds. "AL" flashes on the temperature display 1.

Press the alarm button **2**/9.

The warning signal switches off. The warmest temperature is displayed briefly.

The factory has recommended the following temperatures:

- Refrigerator compartment: +4 °C
- Freezer compartment: -18 °C

Operating tips

- When the appliance has been switched on, it may take several hours until the set temperatures have been reached.
- The fully automatic NoFrost system ensures that the freezer compartment remains free of ice. Defrosting is no longer required.
- The sides of the housing are sometimes heated slightly. This prevents condensation in the area of the door seal.
- If the freezer compartment door cannot be immediately re-opened after it has been closed, wait until the resulting low pressure has equalised.

Setting the temperature

Fig. **2**

Refrigerator compartment

The temperature can be set from +2 °C to +8 °C.

1. Press selection button 7 until refrigerator compartment display 4 is activated.
2. Keep pressing +/- buttons 6 until the required temperature is indicated.

Perishable food should not be stored above +4 °C.

Freezer compartment

The temperature can be set from -16 °C to -26 °C.

1. Press selection button 7 until freezer compartment display 1 is activated.
2. Keep pressing +/- buttons until the required temperature is indicated.

Special functions

Fig. 2

timer

You can use this function to set a period of time of 1–99 minutes. A signal reminds you, e.g. when food is to be taken out of the compartment after a certain time.

A value of 20 minutes has been preset at the factory.

Caution

Drinks bottles may crack if they are stored for longer than 20 minutes in the freezer compartment.

Switching on the function

1. Press “timer” button 2.
2. Using the +/- buttons, set the required time.

Switching off the function

Press the “timer” button 2 twice within 3 seconds.

“eco”

The “eco” function switches the appliance to energy-saving mode.

The appliance automatically sets the following temperatures:

- Refrigerator compartment: +6 °C
- Freezer compartment: –16 °C

Switching on the function

1. Press “mode” button 3 until the required special function is encircled.
2. Acknowledge the selection with the selection button “+” 6. When the function is switched on, a triangle is indicated.

Switching off the function

To switch off, reselect the special function with the “mode” button 3 and press the selection button “–” 6. The triangle behind the function disappears and is therefore switched off.

“lock”

The “lock” function can be used to safeguard the appliance from unintentional use.

Switching on the function

1. Press “mode” button 3 until the required special function is encircled.
2. Acknowledge the selection with the selection button “+” 6. When the function is switched on, a triangle is indicated.

Switching off the function

To switch off, reselect the special function with the “mode” button 3 and press the selection button “-” 6. The triangle behind the function disappears and is therefore switched off.

“holiday”

If leaving the appliance for a long period of time, you can switch the appliance over to the energy-saving holiday mode.

The temperature of the refrigerator compartment is automatically switched to +14 °C.

Do not store any food in the refrigerator compartment during this time.

Switching on the function

1. Press “mode” button 3 until the required special function is encircled.
2. Acknowledge the selection with the selection button “+” 6. When the function is switched on, a triangle is indicated.

Switching off the function

To switch off, reselect the special function with the “mode” button 3 and press the selection button “-” 6. The triangle behind the function disappears and is therefore switched off.

Alarm function

In the following cases an alarm may be actuated:

Door opening alarm

If the appliance is left open for longer than one minute, the door alarm (continuous sound) switches on. Close the door or press the Alarm button 9 to switch the warning signal off again.

Temperature alarm

The temperature alarm switches on if the freezer compartment is too warm and the frozen food is at risk of thawing. “AL” flashes on the display 1 and “alarm” is displayed.

When the alarm button **2/9** is pressed, the freezer compartment display **2/1** indicates for 10 seconds the warmest temperature reached in the freezer compartment.

Then this value is deleted. The freezer compartment temperature display **2/1** then indicates the set temperature.

The alarm may switch on without any risk to the frozen food:

- when the appliance is switched on,
- when large quantities of fresh food are placed in the appliance,
- if the freezer compartment door is open too long.

Note

Do not refreeze thawing or thawed food. Only ready meals (boiled or fried) may be refrozen.

No longer store the frozen produce for the max. storage period.

Fast cooling alarm

The fast cooling alarm switches on if the function for the fast cooling of drinks was switched on with the timer button **2**/2.

The drinks are cooled ready.

Usable capacity

Information on the usable capacity can be found inside your appliance on the rating plate. Fig. **10**

Fully utilising the freezer volume

The maximum amount of food can be placed in the freezer by removing the following fittings.

Removing the fittings

- The door shelf can be taken out. Fig. **8**
- If appliances feature an ice maker, the latter can be taken out. Fig. **6**

Refrigerator compartment

The refrigerator compartment is the ideal storage location for meat, sausage, fish, dairy products, eggs, ready meals and pastries.

Storing food

- Store fresh, undamaged food. The quality and freshness will then be retained for longer.
- In the case of ready-made products and bottled goods, observe the best-before date or use-by date specified by the manufacturer.
- To retain aroma, colour and freshness, pack or cover food well before placing in the appliance. This will prevent the transfer of flavours and the discolouration of plastic parts in the refrigerator compartment.
- Allow warm food and drinks to cool down before placing in the appliance.

Note

Avoid contact between food and rear panel. Otherwise the air circulation will be impaired.

Food or packaging could freeze to the rear panel.

Note the chill zones in the refrigerator compartment

The air circulation in the refrigerator compartment creates different chill zones:

■ Coldest zone

is on the rear panel inside the appliance and in the chiller container. Fig. **1**/18

Note

Store perishable food e.g. fish, sausage, meat in the coldest zones.

■ Warmest zone

is at the very top of the door.

Note

Store e.g. hard cheese and butter in the warmest zone. Cheese can then continue to release its flavour and the butter will still be easy to spread.

Vegetable container with humidity controller

Fig. **4**

To create the optimum storage climate for fruit and vegetables, you can set the air humidity in the vegetable container depending on the quantity stored:

- smaller quantities of fruit and vegetables – high air humidity
- large quantities of fruit and vegetables – low air humidity

Notes

- Fruit sensitive to cold (e.g. pineapple, banana, papaya and citrus fruit) and vegetables sensitive to cold (e.g. aubergines, cucumbers, zucchini, peppers, tomatoes and potatoes) should be stored outside the refrigerator at temperatures of approx. +8 °C to +12 °C for optimum preservation of quality and flavour.
- Condensation may form in the vegetable container depending on the type and quantity of products stored. Remove condensation with a dry cloth and adjust air humidity in the vegetable container with the humidity controller.

Chiller container

Fig. **1**/18

Temperatures in the chiller container are lower than in the refrigerator compartment. Even temperatures below 0 °C may occur.

Ideal for storing fish, meat and sausage. Not suitable for lettuce, vegetables and produce sensitive to cold.

Super cooling

Super cooling sets the refrigerator temperature to the coldest temperature setting for approx. 6 hours. Then the appliance automatically switches to the temperature set prior to super cooling mode.

Switch on super cooling mode, e.g.

- before placing large quantities of food in the refrigerator compartment.
- for the fast cooling of drinks.

Switching on and off

Fig. 2

1. Press selection button 7 until refrigerator compartment display 4 is activated.
2. Press “super” button 8.

When super cooling is switched on, the refrigerator compartment display indicates “SU” and “super”.

Freezer compartment

Use the freezer compartment

- To store deep-frozen food.
- To make ice cubes.
- To freeze food.

Note

Ensure that the freezer compartment door has been closed properly. If the door is open, the frozen food will thaw. The freezer compartment will become covered in thick ice. Also: waste of energy due to high power consumption!

Max. freezing capacity

Information about the max. freezing capacity within 24 hours can be found on the rating plate. Fig. 10

Freezing and storing food

Purchasing frozen food

- Packaging must not be damaged.
- Use by the “use by” date.
- Temperature in the supermarket freezer must be $-18\text{ }^{\circ}\text{C}$ or lower.
- If possible, transport deep-frozen food in an insulated bag and place quickly in the freezer compartment.

Note when loading products

Freeze large quantities of food in the fast freezer compartment where food freezes particularly quickly and therefore also gently.

Food which is already frozen must not come into contact with the food which is to be frozen.

Freezing fresh food

Freeze fresh and undamaged food only.

To retain the best possible nutritional value, flavour and colour, vegetables should be blanched before freezing. Aubergines, peppers, zucchini and asparagus do not require blanching.

Literature on freezing and blanching can be found in bookshops.

Note

Keep food which is to be frozen away from food which is already frozen.

- The following foods are suitable for freezing:
Cakes and pastries, fish and seafood, meat, game, poultry, vegetables, fruit, herbs, eggs without shells, dairy products such as cheese, butter and quark, ready meals and leftovers such as soups, stews, cooked meat and fish, potato dishes, soufflés and desserts.
- The following foods are not suitable for freezing:
Types of vegetables, which are usually consumed raw, such as lettuce or radishes, eggs in shells, grapes, whole apples, pears and peaches, hard-boiled eggs, yoghurt, soured milk, sour cream, crème fraîche and mayonnaise.

Packing frozen food

To prevent food from losing its flavour or drying out, place in airtight containers.

1. Place food in packaging.
2. Remove air.
3. Seal the wrapping.
4. Label packaging with contents and date of freezing.

Suitable packaging:

Cling wrap, tubular film made of polyethylene, aluminium foil, freezer containers.

These products are available from specialist outlets.

Unsuitable packaging:

Wrapping paper, greaseproof paper, cellophane, bin liners and used shopping bags.

Items suitable for sealing packaged food:

Rubber bands, plastic clips, string, cold-resistant adhesive tape, etc.

Bags and tubular film made of polyethylene (PE) can be sealed with a film heat sealer.

Shelf life of frozen food

Storage duration depends on the type of food.

At a temperature of $-18\text{ }^{\circ}\text{C}$:

- Fish, sausage, ready meals and cakes and pastries:
up to 6 months
- Cheese, poultry and meat:
up to 8 months
- Vegetables and fruit:
up to 12 months

Super freezing

Food should be frozen solid as quickly as possible in order to retain vitamins, nutritional value, appearance and flavour.

Several hours before placing fresh food in the freezer compartment, switch on super freezing to prevent an unwanted temperature rise.

As a rule, 4–6 hours is adequate.

This appliance runs constantly and the freezer compartment drops to a very low temperature.

If the max. freezing capacity is to be used, super freezing must be switched on for 24 hours before the fresh produce is placed in the freezer compartment.

Smaller quantities of food (up to 2 kg) can be frozen without “super freezing”.

Note

When super freezing is switched on, increased operating noises may occur.

Switching on and off

Fig. 2

1. Press selection button 7 until freezer compartment display 1 is activated.
2. Press “super” button 8.

When super freezing is switched on, the freezer compartment display indicates “SU” and “super”.

Thawing frozen food

Depending on the type and application, select one of the following options:

- at room temperature
- in the refrigerator
- in an electric oven, with/without fan assisted hot-air
- in the microwave



Caution

Do not refreeze thawing or thawed food. Only ready meals (boiled or fried) may be refrozen.

No longer store the frozen produce for the max. storage period.

Interior fittings

You can reposition the shelves inside the appliance and the door shelves as required:

- Pull shelf forwards, lower and swing out to the side.
- Raise the door shelf and remove.

Special features

(not all models)

Taking out the extendable glass shelf

Fig. 11/14

The glass shelf can be removed for cleaning. To do this, pull out shelf, lift at the front and take out.

Bottle shelf

Fig. 7 A/B

Bottles can be stored securely on the bottle shelf.

Ice maker

Fig. 5

1. Take out water container and fill with water up to the mark.
2. Carefully empty water into the storage container via the filler opening. Ensure that the water does not run into or splash onto the storage container. Otherwise, ice cubes could freeze to each other or to the container.
3. When the ice cubes are frozen, press lever down and release. The ice cubes loosen and fall into the storage container.
4. Remove ice cubes from the storage container. The ice cubes should be removed regularly from the storage container to prevent them from freezing to each other.

Ice cube tray

Fill the ice cube tray $\frac{3}{4}$ full of drinking water and place in the freezer compartment.

If the ice tray is stuck to the freezer compartment, loosen with a blunt implement only (spoon-handle).

To loosen the ice cubes, twist the ice tray slightly or hold briefly under flowing water.

Sticker “OK”

(not all models)

The sticker “OK” lets you check whether the refrigerator compartment achieves the safe temperature ranges of +4 °C or colder recommended for food. If the sticker does not indicate “OK”, gradually reduce the temperature.

Note

When the appliance is switched on, it may take up to 12 hours until the set temperature is reached.



Correct setting

Switching off and disconnecting the appliance

Switching off the appliance

Fig. 1

Press the On/Off button 11. Refrigerating unit and light switch off.

Disconnecting the appliance

If you do not use the appliance for a prolonged period:

1. Switch off the appliance.
2. Pull out mains plug or switch off fuse.
3. Clean the appliance.
4. Leave the appliance door open.

Defrosting

Refrigerator compartment

Defrosting is actuated automatically. The condensation runs through the drainage hole into an evaporation pan on the rear of the appliance.

Freezer compartment

The fully automatic NoFrost system ensures that the freezer compartment remains free of ice. Defrosting is no longer required.

Cleaning the appliance

Caution

- Do not use abrasive, chloride or acidic cleaning agents or solvents.
- Do not use scouring or abrasive sponges.
The metallic surfaces could corrode.
- Never clean shelves and containers in the dishwasher.
The parts may become deformed!

Water used for cleaning must not drip into the

- slots in the front base area in the freezer compartment,
- controls,
- and light.

Proceed as follows:

1. Before cleaning: Switch off the appliance.
2. Pull out mains plug or switch off fuse.
3. Take out the frozen food and store in a cool location. Place the ice pack (if enclosed) on the food.
4. Wait until the layer of frost has thawed.
5. Clean the appliance with a soft cloth, lukewarm water and a little pH neutral washing-up liquid. The rinsing water must not run into the light.
6. Wipe the door seal with clear water only and then wipe dry thoroughly.
7. After cleaning reconnect and switch the appliance back on.
8. Put the frozen food back into the appliance.

Interior fittings

All variable parts of the appliance can be taken out for cleaning.

Take out glass shelves

Pull the glass shelves forwards and take out.

Light (LED)

Your appliance features a maintenance-free LED light.

These lights may be repaired by customer service or authorised technicians only.

Tips for saving energy

- Install the appliance in a dry, well ventilated room! The appliance should not be installed in direct sunlight or near a heat source (e.g. radiator, cooker).
If required, use an insulating plate.
- Allow warm food and drinks to cool down before placing in the appliance.
- Thaw frozen food in the refrigerator compartment and use the low temperature of the frozen food to cool refrigerated food.
- Open the appliance as briefly as possible.
- To avoid increased power consumption, occasionally clean the back of the appliance.
- If available:
Fit wall spacers to obtain the indicated energy rating of the appliance (see Installation instructions). A reduced wall gap will not restrict the function of the appliance. The energy rating may then increase slightly. The gap of 75 mm must not be exceeded.
- The arrangement of the fittings does not affect the energy rating of the appliance.

Operating noises

Quite normal noises

Droning

Motors are running (e.g. refrigerating units, fan).

Bubbling, humming or gurgling noises

Refrigerant is flowing through the tubing.

Clicking

Motor, switches or solenoid valves are switching on/off.

Cracking

Automatic defrosting is running.

Preventing noises

The appliance is not level

Please align the appliance with a spirit level. Use the height-adjustable feet or place packing underneath them.

The appliance is not free-standing

Please move the appliance away from adjacent units or appliances.

Containers or storage areas wobble or stick

Please check the removable parts and re-insert them correctly if required.

Bottles or receptacles are touching each other

Move the bottles or receptacles slightly away from each other.

Eliminating minor faults yourself

Before you call customer service:

Please check whether you can eliminate the fault yourself based on the following information.

Customer service will charge you for advice – even if the appliance is still under guarantee!

Fault	Possible cause	Remedial action
Temperature differs greatly from the set value.		In some cases it is adequate to switch off the appliance for 5 minutes. If the temperature is too high wait a few hours and check whether the temperature has approached the set value. If the temperature is too low check the temperature again the next day.
Display indicates “E.”.	Electronics have detected a fault.	Call customer service.

Fault	Possible cause	Remedial action
Warning signal sounds. "AL" flashes on the temperature display, Fig. 2/1, and "alarm" is displayed.	Fault – the freezer compartment is too warm!	To switch off the warning signal, press the "alarm" button 9. The temperature display 1 stops flashing. The temperature display 1 indicates for 10 seconds the warmest temperature which was reached in the freezer compartment.
	Frozen food is at risk!	<p>Note</p> <p>Frozen food which has started thawing or which has thawed can be refrozen if meat and fish were above +3 °C for not more than one day or other frozen food for not more than three days.</p> <p>If taste, odour and appearance have not changed, the food can be boiled or fried and then refrozen.</p> <p>No longer store the frozen produce for the max. storage period.</p>
	Appliance is open.	Close the appliance.
	Ventilation openings have been covered.	Ensure that there is adequate ventilation.
	Too much food was placed in the freezer compartment at once.	Do not exceed max. freezing capacity.
The light does not function.	The LED light is defective.	See chapter "Light (LED)" section.
	Appliance was open too long.	When the appliance is closed and opened, the light is on again.
	Light is switched off after approx. 10 min.	
Controls have reduced luminosity.	When the appliance is not used for some time, the display on the fascia switches to energy saving mode.	As soon as the appliance is again used, e.g. the door is opened, the display switches back to normal illumination.
Displays do not illuminate.	Power failure; the fuse has been switched off; the mains plug has not been inserted properly.	Connect mains plug. Check whether the power is on, check the fuses.

Fault	Possible cause	Remedial action
The temperature in the freezer compartment is too warm.	Appliance opened frequently.	Do not open the appliance unnecessarily.
	The ventilation openings have been covered.	Remove obstacles.
	Large quantities of fresh food are being frozen.	Do not exceed max. freezing capacity.
Freezer compartment door was open for a long time; temperature is no longer reached.	The evaporator (refrigeration generator) in the NoFrost system is covered in thick ice and can no longer be defrosted fully automatically.	<p>To defrost the evaporator, remove the frozen food with the compartments, insulate well and store in a cool location.</p> <p>Switch off the appliance and move it away from the wall. Leave the appliance door open.</p> <p>After approx. 20 min. the condensation begins to run into the evaporation pan, at the rear of the appliance. Fig. 9</p> <p>To prevent the evaporation pan from overflowing in this case, mop up the condensation with a sponge.</p> <p>The evaporator is defrosted when the water stops running into the evaporation pan. Clean the interior. Switch the appliance back on again.</p>

Customer service

Your local customer service can be found in the telephone directory or in the customer-service index. Please provide customer service with the appliance product number (E-Nr.) and production number (FD-Nr.).

This information can be found on the rating plate. Fig. **10**

To prevent unnecessary call-outs, please assist customer service by quoting the product and production numbers. This will save you additional costs.

Repair order and advice on faults

Contact information for all countries can be found on the enclosed customer service list.

GB	0344 892 8979	Calls charged at local or mobile rate.
IE	01450 2655	0.03 € per minute at peak. Off peak 0.0088 € per minute.
US	800 944 2904	toll-free

Güvenlik ve ikaz bilgileri

Cihazı çalıştırmadan önce

Kullanma ve montaj kılavuzlarını dikkatlice okuyunuz!

Bu kılavuzlarda cihazın kurulması, yerleştirilmesi, kullanılması ve bakımı ile ilgili önemli bilgiler bulunmaktadır.

Üretici, kullanma talimatlarındaki bilgi ve uyarıları dikkate almazsanız, herhangi bir sorumluluk üstlenmez. Tüm belge ve dokümanları sonradan kullanma ihtimalinden veya cihazı satacak olursanız, yeni sahibi için saklayınız.

Teknik güvenlik

Soğutma devresinin boruları içinde az miktarda çevre dostu, ancak yanıcı olan soğutma maddesi (R600a) akar. Ozon tabakasına zarar vermez ve sera etkisini fazlalaştırmaz. Eğer soğutma maddesi dışarı sızarsa, gözleri yaralayabilir veya alevlenebilir.

Hasar durumunda

- Açık ateş veya alev kaynakları cihazdan uzak tutulmalıdır.
- Cihazın kurulu olduğu yer birkaç dakika havalandırılmalıdır.
- Cihazı kapatınız ve elektrik fişini çekip prizden çıkarınız.
- Yetkili servise haber verilmelidir.

Bir cihaz ne kadar fazla soğutucu madde ihtiva ederse, kurulduğu yer de o derece büyük olmalıdır. Çok küçük yerlerde, soğutma maddesi devresinde bir kaçak söz konusu olduğunda, yanıcı bir gaz hava karışımı oluşabilir. Her 8 gram soğutucu madde için gerekli olan yerin hacmi en az 1 m³ kadardır. Cihazınızın içinde bulunan soğutma maddesinin miktarı, cihazın iç kısmındaki tip levhasında yazılıdır.

Eğer bu cihazın elektrik şebekesi kablosu zarar görürse, üretici, yetkili servis veya benzeri ustalık özelliklerine sahip başka bir kişi tarafından değiştirilmesi gerekir. Hatalı veya gerektiği şekilde yapılmayan kurma çalışmalarından ve onarımlardan dolayı cihazı kullanan kişi için oldukça önemli tehlikeler ortaya çıkabilir.

Onarımlar sadece üretici, yetkili servis veya benzeri eğitime sahip yetkili bir kişi tarafından yapılmalıdır.

Sadece üreticinin orijinal parçaları kullanılmalıdır. Üretici sadece bu parçalarda güvenlik taleplerine uyulduğunu garanti eder.

Elektrik şebekesi kablosu için bir uzatma parçası sadece yetkili servis üzerinden alınabilir.

Kullanım esnasında

- Cihazın içinde kesinlikle elektrikli cihazlar kullanmayınız (örn. ısıtma cihazları, elektrikli buz yapma makineleri vs.). Patlama tehlikesi!
- Cihazı temizlemek veya buzunu çözmek için asla buharlı temizleme cihazları kullanmayınız. Buhar elektrikli parçalara temas edebilir ve kısa devre olmasına sebep olabilir! Elektrik çarpma tehlikesi!
- Kar, kırağı ve buz tabakalarını temizlemek için, sivri veya keskin kenarlı cisimler kullanmayınız. Aksi halde cihazın soğutucu madde boruları zarar görebilir. Dışarı fişkırان soğutucu madde tutuşup yanabilir veya göz yaralanmasına sebep olabilir.
- Cihazın içinde yanıcı tahrik gazı ihtiva eden ürünler (örn. sprey kutuları) ve patlayıcı maddeler bulundurmuyunuz. Patlama tehlikesi!
- Cihazın tabanını, raflarını, kapılarını ve bu gibi parçalarını basamak niyetine veya destek olarak kullanmayınız.
- Temizlik çalışmaları için, şebeke bağlantı fişini prizden çıkarınız veya sigortayı kapatınız. Fişi prizden çıkarırken, fişin kendisi tutulmalıdır, kablodan tutulup çekilmemelidir.
- Alkol oranı yüksek olan sıvı dolu şişeleri iyice kapatarak ve dik olarak buzdolabına koyunuz.
- Cihazın plastik parçalarına ve kapının contasına sıvı ve katı yağ değmemesine özen gösteriniz. Aksi halde bu parçalar delinip aşınabilir.
- Cihazın hava giriş ve çıkış delikleri kesinlikle örtülmemeli ve önleri kapatılmamalıdır.

■ Çocuklar ve tehlikeye maruz kalabilecek kişiler için söz konusu olabilecek risklerin önlenmesi:

Çocuklar ve bedensel, ruhsal veya algısal yetenekleri sınırlı olan veya cihazın güvenli kullanılması hakkında yeterince bilgisi olmayan kişiler tehlikeye maruz kalabilecek kişiler olarak kabul edilirler.

Çocukların ve söz konusu tehlikeye maruz kalabilecek kişilerin tehlikeleri anlamış olmasını sağlayınız.

Güvenlikten sorumlu bir kişi çocukları ve tehlikeye maruz kalabilecek kişileri cihaz kullanılırken denetlemeli veya onlara rehberlik etmelidir.

Sadece 8 yaşından büyük çocukların cihazı kullanmasına izin veriniz.

Temizleme ve bakım çalışmalarında çocukları denetleyiniz.

Çocukların cihaz ile oynamasına kesinlikle izin verilmemelidir.

- Şişe ve kutu içindeki sıvı maddeleri (özellikle karbonik asit ihtiva eden içecekleri) dondurucu bölümünde depolamayınız. Şişe ve kutular patlayabilir!
- Dondurulmuş besinleri kesinlikle dondurucudan çıkarır çıkarmaz ağzınıza almayınız. Donma yanığı tehlikesi!
- Ellerinizi uzun bir süre dondurulmuş besine, buza veya buharlaştırıcı borularına vs. temas etmesini önleyiniz. Donma yanığı tehlikesi!

Evdeki çocuklar

- Ambalajları ve ambalaj parçalarını çocuklara vermeyiniz. Katlanan kartonlardan ve folyolardan dolayı boğulma tehlikesi söz konusudur!
- Bu cihaz, çocuk oyuncağı değildir.
- Kilit tertibatı olan cihazlarda: Anahtarı çocukların erişemeyecekleri bir yerde muhafaza ediniz!

Genel yönetmelikler

Cihaz,

- besinlerin soğutulması ve dondurulması için kullanılır,
- buz yapmak için kullanılır,
- içme suyu almak için kullanılır.

Bu cihaz evde ve ev ortamında kişisel kullanımınız içindir, ticari amaçlı kullanım için öngörülmemiştir.

Cihaz, 2004/108/EC AB direktiflerine istinaden parazitlenmeye karşı korunmuştur.

Soğutucu madde devresinin sızdırmazlığı kontrol edilmiştir.

Bu ürün, elektrikli cihazlar için geçerli olan güvenlik yönetmeliklerine uygundur (EN 60335-2-24).

Bu cihaz, deniz seviyesinden en fazla 2000 metre yükseklikte kullanılmak üzere tasarlanmıştır.

Giderme bilgileri

Yeni cihazın Ambalajının giderilmesi

Ambalaj, cihazınızı transport hasarlarına karşı korur. Ambalajda kullanılmış olan tüm malzemeler, çevreye zarar vermeyen türdendir ve yeniden kullanılabilir. Lütfen siz de yardımcı olunuz: Ambalajı çevreye zarar vermeyecek şekilde gideriniz.

Güncel giderme yol ve yöntemleri hakkında bilgi edinmek için, lütfen yetkili satıcınıza veya bağlı olduğunuz belediye idaresine başvurunuz.

Eski cihazın giderilmesi

Eski cihazlar, hiç değeri olmayan çöp değildir! Çevreci bir giderme işleminden geçirilerek, çok değerli ham maddeler yeniden kullanılmak üzere değerlendirilebilir.



Bu ürün 2012/19/EU sayılı Atık Elektrikli ve Elektronik Ekipmanlar Direktifi'ne göre etiketlenmiştir. Ulusal yönetmelik (Türkiye Resmi Gazetesi No:28300 Tarih: 22.05.2012) Avrupa genelinde geçerli olan, ürünlerin geri toplanması ve geri dönüştürülmesi ile ilgili yapıyı belirtir.

Uyarı

Eskimiş ve artık kullanılmayacak cihazlarda:

1. Elektrik fişini çekip prizden çıkarınız.
2. Elektrik kablosunu kesip, fişi ile birlikte cihazdan ayırınız.
3. Çocukların cihazın içine girmesini zorlaştırmak için, rafları, çekmeceleri ve eşya gözlerini cihazdan çıkarmayınız.
4. Çocukların eskimiş cihaz ile oynamasına izin vermeyiniz. Boğulma tehlikesi!

Soğutma cihazlarının içinde soğutucu maddeler vardır, yalıtım tertibatlarında ise izolasyon gazları vardır. Soğutucu maddeler ve gazlar uzmanca giderilmelidir. Eski cihaz uzmanca ve çevreye zarar vermeyecek şekilde sirkülasyon borularının zarar görmemesine dikkat ediniz.

Teslimat kapsamı

Ambalajdan çıkardıktan sonra, tüm parçaları olası transport hasarları açısından kontrol ediniz.

Şikayet veya itiraz söz konusu olduğunda, lütfen cihazı satın aldığınız yetkili satıcınıza veya yetkili servisimize başvurunuz.

Teslimat kapsamı, aşağıdaki parçalardan oluşmaktadır:

- Solo cihaz
- Donanım (modele bağlı)
- Montaj malzemelerini içeren torba
- Kullanma kılavuzu
- Montaj kılavuzu
- Yetkili servis defteri
- Garanti ekleri
- Enerji tüketimi ve çalışma sesleri ile ilgili bilgiler

Mekan sıcaklığına ve havalandırmaya dikkat edilmelidir

Mekan sıcaklığı

Bu cihaz belli bir klima sınıfı için tasarlanmıştır. Klima sınıfına bağlı olarak bu cihazı şu çevre sıcaklıklarında kullanabilirsiniz.

İklim sınıfı tip levhasının üzerinde bulunur, Resim 10.

Klima sınıfı	Kabul edilebilir mekan sıcaklığı
SN	+10 °C ile 32 °C
N	+16 °C ile 32 °C
ST	+16 °C ile 38 °C
T	+16 °C ile 43 °C

Bilgi

Cihaz, bildirilmiş klima sınıfına ait oda sıcaklığı sınırları dahilinde, sahip olduğu tüm işlevleri ile çalışır. Eğer SN klima sınıfına dahil olan bir cihaz daha soğuk oda sıcaklıklarında işletilirse, +5 °C'ye kadar cihazda herhangi bir hasar olmayacağı garanti edilir.

Havalandırma

Resim 3

Cihazın arka yüzündeki ve yan yüzlerindeki hava ısınır. Isınan bu havanın kolayca çıkıp gidebilmesi gerekir. Aksi halde soğutucunun daha fazla çalışması gerekir. Bu da daha fazla elektrik sarfiyatına yol açar. Bu sebepten dolayı: Havalandırma deliklerinin önünün kesinlikle kapanmamasına dikkat ediniz!

Cihazın elektrik şebekesine bağlanması

Cihazı kurduktan sonra, çalıştırmadan önce en az 1 saat bekleyiniz. Transport esnasında, kompresörün içindeki yağ soğutma sistemi içine dağılıbilir.

Cihazı ilk kez devreye sokmadan önce, cihazın içini temizleyiniz (bakınız bölüm "Cihazın temizlenmesi").

Elektrik bağlantısı

Priz cihazın yakınında ve cihaz kurulduktan sonra da rahat ulaşılabilir olmalıdır.

Bu cihaz, koruma sınıfı I tipi bir cihazdır. Cihazı 220–240 V/50 Hz alternatif akım üzerinden, kurallara uygun şekilde monte edilmiş, toprak hattına sahip bir prize bağlayınız. Priz, 10–16 A değerinde bir sigortaya sahip olmalıdır.

Avrupa ülkelerinde işletilmeyen cihazlarda, bildirilen gerilimin ve akım türünün, sizin elektrik şebekenizin değerleri ile uyuyup uyuşmadığı kontrol edilmelidir. Bu bilgileri tip etiketi (levhası) üzerinde bulabilirsiniz. Resim 10

⚠ Uyarı

Bu cihaz kesinlikle elektronik enerji tasarruf prizlerine bağlanmamalıdır.

Cihazlarımızın işletilmesinde şebeke ve sinüs kontrollü konvertisörler kullanılabilir. Şebeke kontrollü konvertisörler, doğrudan umumi elektrik şebekesine bağlanan fotovoltaik sistemlerde kullanılır. Umumi elektrik şebekesine doğrudan bağlantısı olmayan tekil uygulamalarda (örn. gemilerde veya dağ evlerinde ya da dağ kulübelerinde), sinüs kontrollü konvertisörler kullanılmalıdır.

Cihaz özelliklerinin öğrenilmesi



Lütfen önce resimlerin bulunduğu son sayfayı açınız. Bu kullanma kılavuzu birçok cihaz modeli için geçerlidir.

Modellerin donanım kapsamı farklı olabilir.

Resimlerde farklılıklar olabilir.

Resim **1**

* Her model için geçerli değil.

- 1-9 Kumanda elemanları
- 10 Dondurucu bölümü ışık şalteri
- 11 Açma/kapama tuşu
- 12* Hızlı dondurma bölümü
- 13 Soğutucu bölümü ışık şalteri
- 14 Dışarı çekilebilen cam raf
- 15 Hava çıkış delikleri
- 16 Aydınlatma (LED)
- 17 Soğutma bölümündeki raflar
- 18 Soğuk depolama bölümü
- 19 Sebze kabı
- 20 Vidalı ayaklar
- 21 Kapı rafı
- 22* Buz hazırlayıcı
- 23* Küp buz kabı
- 24 Yumurtalık

- 25 Kapı rafı
- 26 Büyük şişe rafı

- A Dondurucu bölümü
- B Soğutucu bölümü

Kumanda elemanları

Resim **2**

- 1 **Dondurucu bölümü ısı derecesi göstergesi**
Işıklı gösterge çubuğundaki sayılar, dondurucu bölümündeki soğukluk derecesinin °C türünden değerine eşittir.
- 2 **"timer" tuşu**
Bu fonksiyon ile bir zaman akışı ayarlayabilirsiniz ve bu size bir akustik sinyal ile hatırlatılır. Bakınız bölüm "Özel fonksiyonlar".
- 3 **"mode" tuşu**
Özel fonksiyonları seçmek içindir. Bakınız bölüm "Özel fonksiyonlar".
- 4 **Soğutucu bölümü ısı derecesi göstergesi**
Sayılar, soğutma bölümündeki derecelerini °C türünden gösterir.
- 5 **Özel fonksiyonlar göstergesi**
Bakınız bölüm "Özel fonksiyonlar".
- 6 **Ayar tuşları**
"+" ve "-" tuşları ile, soğutucu ve dondurucu bölümü ısı derecesini ayarlayabilirsiniz. Ek olarak özel fonksiyonları açabilir ve kapatabilirsiniz.

7 Soğutucu veya dondurucu bölümü seçme tuşu

Soğutucu veya dondurucu bölümü için ayarlar yapabilmek için, soğutucu veya dondurucu bölümü göstergesinin istenilen kısmı aktifleştirilinceye kadar, seçme tuşuna basınız.

8 "Super" tuşu

Süper soğutma (soğutucu bölümü) veya süper dondurma (dondurucu bölümü) fonksiyonlarının devreye sokulması içindir.

Bakınız bölüm "Süper soğutma" veya "Süper dondurma".

9 "alarm" tuşu

İkaz sesinin kapatılması için kullanılır ("Alarm fonksiyonu" bölümüne bakınız).

İşletme hakkında bilgiler

- Devreye sokma işleminden sonra, ayarlanmış ısı derecelerine ulaşıncaya kadar birkaç saat geçebilir.
- Tam otomatik NoFrost sistemi sayesinde, dondurucu bölümünde buz oluşmaz. Bu nedenle, buz çözme işlemi yapılması gerekmez.
- Gövdenin ön yüzleri kısmen biraz ısıtılır; böylelikle kapı contasının bulunduğu alanda terlemeden kaynaklanan su oluşması önlenir.
- Dondurucu bölümünün kapısı kapatıldıktan sonra hemen tekrar açılmazsa, oluşmuş olan vakum dengeleninceye kadar, biraz bekleyiniz.

Cihazın devreye sokulması

Cihazı Açma/Kapatma tuşu **1**/11 ile devreye sokunuz.

Bir ikaz sesi duyulur. Isı derecesi göstergesinde 1 "AL" yanıp söner.

Alarm tuşu **2**/9 basınız.

İkaz sesi kapanır. Kısa bir süre, söz konusu olmuş olan en sıcak ısı derecesi gösterilir.

Fabrika ayarı olarak aşağıdaki dereceler önerilmektedir:

- Soğutucu bölümü: +4 °C
- Dondurucu bölümü: -18 °C

Sıcaklık derecesinin ayarlanması

Resim **2**

Soğutucu bölümü

Isı derecesi +2 °C ile +8 °C arasında ayarlanabilir.

1. Soğutucu bölümü 4 göstergesi aktifleştirilinceye kadar, seçme tuşuna 7 basınız.
2. İstedığınız ısı derecesi gösterilinceye kadar, +/- tuşlarına 6 arka arkaya basınız.

Hassas besinler +4 °C'den daha sıcak depolanmamalıdır.

Dondurucu bölmesi

Isı derecesi -16 °C ile -26 °C arasında ayarlanabilir.

1. Dondurucu bölmesi 1 göstergesi aktifleştirilinceye kadar, seçme tuşuna 7 basınız.
2. İstediğiniz ısı derecesi gösterilinceye kadar, +/- tuşlarına arka arkaya basınız.

Özel fonksiyonlar

Resim 2

”timer”

Bu fonksiyon ile 1–99 dakikalık bir zaman akışı ayarlayabilirsiniz. Bir sinyal size bunu hatırlatılır, örn. belli bir süre sonra besinler ilgili gözden veya bölmeden alınması gerektiğinde.

Fabrika ayarı olarak 20 dakika ayarlanmıştır.

Dikkat

İçecek şişeleri, dondurucu bölmesinde 20 dakikadan daha uzun kalırsa patlayabilir.

Fonksiyonun devreye sokulması

1. ”timer” tuşuna 2 basınız.
2. ”+/-” tuşları ile, istediğiniz zaman ayarlanır.

Fonksiyonun kapatılması

”timer” tuşuna 2 3 saniye içinde iki kez basınız.

”eco” (eko)

”eco” fonksiyonu ile, cihazı enerji tasarruf moduna alabilirsiniz.

Cihaz otomatik olarak şu ısı derecelerine ayarlanır:

- Soğutucu bölmesi: +6 °C
- Dondurucu bölmesi: –16 °C

Fonksiyonun devreye sokulması

1. İstediğiniz özel fonksiyonun etrafı işaretlenerek seçilinceye kadar, ”mode” tuşuna 3 basınız.
2. Ayar tuşu 6 ”+” ile, seçiminizi tasdik ediniz. Fonksiyon devreye sokulmuşsa, göstergede bir üçgen görüntülenir.

Fonksiyonun kapatılması

Kapatmak için, özel fonksiyonu ”mode” tuşu 3 ile yeniden seçiniz ve ayar tuşuna ”-” 6 basınız. Fonksiyonun arkasındaki üçgen kaybolur ve böylelikle kapatılmıştır.

”lock”

”lock” fonksiyonu ile, cihazı istemeden kumanda etme (istemeden ayar değiştirme) işlemine karşı koruyabilirsiniz.

Fonksiyonun devreye sokulması

1. İstediğiniz özel fonksiyonun etrafı işaretlenerek seçilinceye kadar, ”mode” tuşuna 3 basınız.
2. Ayar tuşu 6 ”+” ile, seçiminizi tasdik ediniz. Fonksiyon devreye sokulmuşsa, göstergede bir üçgen görüntülenir.

Fonksiyonun kapatılması

Kapatmak için, özel fonksiyonu ”mode” tuşu 3 ile yeniden seçiniz ve ayar tuşuna ”-” 6 basınız. Fonksiyonun arkasındaki üçgen kaybolur ve böylelikle kapatılmıştır.

”holiday”

Uzun zaman evde olmayacaksanız, cihazı enerji tasarruf moduna alabilirsiniz.

Soğutucu bölmesi ısı derecesi otomatik olarak +14 °C değerine ayarlanır.

Bu süre dahilinde soğutucu bölmesinde herhangi bir besin muhafaza etmeyiniz.

Fonksiyonun devreye sokulması

1. İsteddiğiniz özel fonksiyonun etrafı işaretlenerek seçilinceye kadar, ”mode” tuşuna 3 basınız.
2. Ayar tuşu 6 ”+” ile, seçiminizi tasdik ediniz. Fonksiyon devreye sokulmuşsa, göstergede bir üçgen görüntülenir.

Fonksiyonun kapatılması

Kapatmak için, özel fonksiyonu ”mode” tuşu 3 ile yeniden seçiniz ve ayar tuşuna ”-” 6 basınız. Fonksiyonun arkasındaki üçgen kaybolur ve böylelikle kapatılmıştır.

Alarm fonksiyonu

Aşağıdaki durumlarda alarm devreye sokulabilir:

Kapı alarmı

Cihazın kapısı bir dakikadan daha uzun bir süre açık kalırsa, cihaz kapısı alarmı (sürekli ses) devreye girer. Cihazın kapısı kapatılınca veya alarm tuşuna 9 basılınca, ikaz sesi yine kapanır.

Isı alarmı

Isı alarmı, dondurucu bölmesi çok sıcak olunca ve dondurulmuş besinler için tehlike söz konusu olunca devreye girer. Gösterge 1 üzerinde ”AL” yanıp söner ve ”alarm” gösterilir.

Alarm tuşuna **2**/9 bastıktan sonra, dondurucu bölmesi göstergesinde **2**/1 10 saniye boyunca dondurucu bölmesinde söz konusu olmuş olan en yüksek ısı derecesi görüntülenir.

Ardından bu değer silinir. Ardından dondurucu bölmesi ısı derecesi göstergesi **2**/1 ayarlanmış ısı derecesini gösterir.

Dondurulmuş besinler için tehlike söz konusu olmadan, alarm şu durumlarda devreye girebilir:

- Cihaz ilk defa çalıştırıldığında.
- Cihaza fazla miktarda taze gıda maddeleri konulduğu zaman.
- Dondurucu bölmesinin kapısı çok uzun bir süre açık kaldıysa.

Bilgi

Buzu çözülmeye başlamış veya çözülmüş olan besinleri tekrar dondurmuyunuz. Bu besinleri ancak pişirdikten sonra (pişiriniz veya kızartınız) yeniden dondurabilirsiniz.

Azami depolama süresini bu durumda tamamen kullanmayınız.

Hızlı soğutma alarmı

İçecekleri hızlı soğutma fonksiyonu ”timer” tuşu **2**/2 ile devreye sokulduysa, hızlı soğutma alarmı devreye girer.

İçecekler içmeye hazır şekilde soğutulmuştur.

Kullanılabilen hacim

Cihazın kullanılabilen hacmi ile ilgili bilgiler için, cihazın tip etiketine (levhasına) bakınız. Resim 10

Dondurma kapasitesinin tamamen kullanılması

Azami dondurulacak besin miktarını cihaza yerleştirebilmek için, cihazın içindeki şu donanım parçaları dışarı çıkarılabilir.

Donanım parçalarının çıkarılması

- Kapı içindeki raf cihazdan dışarı çıkarılabilir. Resim 8
- Buz hazırlayıcı donanımı olan cihazlarda, bu donanım dışarı çıkarılabilir. Resim 6

Soğutucu bölmesi

Soğutucu bölmesi et, salam-sucuk, balık, süt ürünleri, yumurta, hazır yemekler ve hamur ürünleri için ideal bir muhafaza etme yeridir.

Depolama işleminde dikkat edilmesi gerekenler

- Taze, sağlam besinleri depolayınız. Böylelikle kalite ve tazelik daha uzun korunur.
- Hazır ürünlerde ve doldurma ürünlerde, üretici tarafından bildirilmiş asgari kullanılabilirlik tarihine veya son kullanma tarihine dikkat ediniz.
- Aromanın, renklerin ve tazeliğin korunması için, besinleri iyi ambalajlanmış veya kapalı şekilde cihaza yerleştiriniz. Böylelikle besinler arasında birbirlerine tat verme ve soğutma bölgesindeki plastik parçalarda renk değişimleri önlenmiş olur.
- Sıcak yiyecekleri ancak soğuduktan sonra cihaza yerleştiriniz.

Bilgi

Besinler ve cihazın iç arka yüzü arasında temas olmasını önleyiniz. Aksi halde hava dolaşımı kötü etkilenebilir.

Besinler veya ambalajlar donarak cihazın iç arka yüzüne yapışabilir.

Soğutucu bölmesindeki soğuk kısımlara dikkat

Soğutucu bölmesindeki hava sirkülasyonundan dolayı, farklı soğukluk derecelerine sahip kısımlar oluşur:

- **En soğuk bölüm,** cihazın iç kısmında arka yüzde ve Chiller kabı içindedir. Resim 1/18

Bilgi

En soğuk kısımlarda hassas besinleri (örn. balık, sucuk, et) muhafaza ediniz.

- **En sıcak alan,** kapıda en üst kısımdadır.

Bilgi

En sıcak alanda örn. sert peynir ve tereyağı muhafaza ediniz. Böylelikle peynir tadını geliştirmeye devam eder, tereyağı ise ekmeğe sürülebilir kıvamda kalır.

Nem ayar düzeneğine sahip sebze kabı

Resim 4

Meyve ve sebzeler için en iyi depolama iklimini sağlamak için, depolanacak besin miktarına bağlı olarak, sebze kabı içindeki hava neminin oranı ayarlanabilir:

- Az miktarda meyve ve sebze – Yüksek hava nemi oranı
- Çok miktarda meyve ve sebze – Düşük hava nemi oranı

Bilgiler

- Soğuk derecelere karşı hassas meyveler (örn. ananas, muz, papaya ve narenciyeler) ve sebzeler (örn. patlıcan, salatalık, kabak, biber, domates ve patates), kalitenin ve aromanın en iyi şekilde korunması için buzdolabının dışında, yaklaşık +8 °C ila +12 °C'de arasında depolanmalıdır.

- Depolama miktarına ve depolanan besine göre, sebze kabı içinde su yoğuşması söz konusu olabilir. Yoğuşan suyu kuru bir bez ile siliniz ve sebze kabı içindeki hava nemi oranını nem ayar sürgüsü üzerinden uygun şekilde ayarlayınız.

Chiller kabı

Resim 1/18

Chiller kabının içinde, soğutma bölümünün içinden daha soğuk ısı dereceleri mevcuttur. 0 °C altında dereceler de söz konusu olabilir.

Balık, et ve sucuk depolamak için idealdir. Salata, sebze ve soğuğa karşı hassas besinler için uygun değildir.

Süper soğutma

Süper soğutma fonksiyonunda, soğutucu bölmesi yaklaşık 6 saat boyunca mümkün olduğu kadar soğuk yapılır. Ardından otomatik olarak, süper soğutma fonksiyonundan önceki ayarlanmış olan ısı derecesine geçilir. Süper soğutma fonksiyonu örneğin şu durumlarda açılır

- Çok miktarda besin yerleştirilmeden önce.
- Çok çabuk içecek soğutmak için.

Açılması ve kapatılması

Resim 2

1. Soğutucu bölmesi 4 göstergesi aktifleştirilinceye kadar, seçme tuşuna 7 basınız.
2. "super" tuşuna 8 basınız.

Süper soğutma fonksiyonu açılmışsa, soğutucu bölmesi göstergesinde "SU" ve "super" gösterilir.

Dondurucu bölmesi

Dondurucu bölmesinin kullanımı

- Dondurucu bölmesi.
- Küp buz üretmek için.
- Besin dondurmak için.

Bilgi

Dondurucu bölmesinin kapısının daima kapalı olmasına dikkat ediniz! Kapı açık olduğu zaman, dondurulmuş besinlerin buzu çözülür. Dondurucu bölmesi yoğun buz tutar. Ayrıca: Yüksek elektrik akımı tüketiminden dolayı gereksiz enerji harcanması söz konusudur!

Azami dondurma kapasitesi

24 saat içinde elde edilebilecek azami dondurma kapasitesi ile ilgili bilgiler için tip levhasına bakınız. Resim **10**

Besinlerin dondurulması ve depolanması

Derin dondurulmuş besin satın alınması

- Ambalaj zarar görmemiş olmalıdır.
- Son kullanma tarihine dikkat edilmelidir.
- Satış sandığındaki ısı derecesi -18 °C veya daha soğuk olmalıdır.
- Derin dondurulmuş besinleri mümkünse bir izole eden poşet veya çanta içinde sevk ediniz ve en kısa zamanda dondurucu bölmesine yerleştiriniz.

Yerleştirirken dikkat edilecek konular

Çok miktarda besin söz konusu olduğunda, hızlı dondurma gözünde dondurunuz. Besinler orada daha çabuk ve böylelikle daha hassas dondurulur. Önceden dondurulmuş olan besinler, yeni dondurulacak olan besinler ile temas etmemelidir.

Taze besinlerin dondurulması

Dondurmak için sadece taze ve iyi besinler kullanınız.

Besi değerinin, aromanın ve rengin mümkün olduğu kadar korunması için, sebze dondurulmadan önce kısa haşlanmalıdır. Patlıcanlarda, biberlerde, kabaklarda ve kuşkonmazda kısa haşlama işlemi yapılması gerekmez.

Dondurma ve kısa haşlama hakkında literatür veya bilgi kaynakları için kitapçılara bakınız.

Bilgi

Dondurulacak besinlerin, önceden dondurulmuş besinler ile temasını önleyiniz.

- Dondurulmaya elverişli besinler: Hamur işleri, balık ve deniz ürünleri, et, av eti, kanatlılar, sebze, meyve, otsu baharatlar, kabuksuz yumurta, peynir, tereyağı ve süzme yoğurt gibi süt ürünleri, hazır yemekler, çorba, türlü, pişmiş et ve balık gibi yemek artıkları, patates yemekleri, sufleler ve tatlı besinler.
- Dondurulmaya elverişli olmayan besinler: Yaprak salata, kırmızı turp, kabuğu içinde yumurta, üzüm, bütün elma, armut ve şeftali, katı pişmiş yumurta, yoğurt, kesilmiş süt, krema, crème fraîche ve mayonez.

Dondurulmuş besinlerin ambalajlanması

Besinleri hava giremeyecek şekilde paketleyiniz ki, tadı bozulmasın veya kurumasin. Besinleri ambalajlamak için veya besin kaplarını kapatmak için, sağlığa zararlı olabilecek malzemeler kullanmayınız.

1. Besinleri ambalaja koyunuz.
2. Havayı bastırıp boşaltınız.
3. Ambalajı sıkı ve hava sızmayacak şekilde kapatınız.
4. Ambalaj üzerine içindeki besinlerin ismini ve dondurma tarihini yazınız.

Aşağıdakiler ambalaj olarak uygundur:

Plastik folyo, polietilenden torba folyo, alüminyum folyo ve dondurmak için uygun kutular. Bu ürünleri uzman satış mağazalarında bulabilirsiniz.

Aşağıdakiler ambalaj olarak uygun değildir:

Paketleme kağıdı, parşömen kağıdı, selofan (jelatinli kağıt), çöp torbası ve kullanılmış poşetler.

Kapatmak için aşağıdakiler uygundur:

Lastik halkalar, plastik klipsler, bağlama iplikleri, soğuğa dayanıklı yapışkan bantlar veya benzeri malzemeler.

Polietilenden torbalar ve hortum folyoları bir folyo kaynak (ısıtıp yapıştırma) cihazı ile sızdırmaz şekilde kapatılabilir.

Dondurulmuş besinlerin son kullanma tarihi

Dondurulmuş besinlerin dayanma süresi,

-18 °C ısı derecesi ayarında:

- Balık, sucuk, hazır yemek, hamur ürünleri:
6 aya kadar
- Peynir, kanatlı hayvanlar, et:
8 aya kadar
- Sebze, meyve:
12 aya kadar

Süper dondurma

Vitaminlerin, besi değerlerinin, görünüşün ve tadın korunması için, besinler mümkün olduğu kadar hızlı bir şekilde ortalarına kadar tamamen dondurulmalıdır.

Taze besin yerleştirmeden birkaç saat önce süper dondurma fonksiyonunu devreye sokarak, taze besinler yerleştirildiğinde söz konusu olabilecek istenmeyen ısı derecesi yükselmesini önleyiniz.

Genel olarak 4–6 saat kadar önceden çalıştırmak yeterlidir.

Bu fonksiyon devreye sokulduktan sonra, kompresör sürekli çalışır ve dondurucu bölümünde çok düşük bir dereceye ulaşılır.

Azm. dondurma kapasitesi kullanılmak isteniyorsa, taze besin yerleştirilmeden 24 saat önce süper dondurma fonksiyonu devreye sokulmalıdır.

Az miktarda besin (azami 2 kg kadar), süper dondurma fonksiyonu kullanılmadan da dondurulabilir.

Bilgi

Süper dondurma devreye sokulmuşsa, daha fazla işletme sesleri duyulabilir.

Açılması ve kapatılması

Resim 2

1. Dondurucu bölümü 1 göstergesi aktifleştirilinceye kadar, seçme tuşuna 7 basınız.
2. "süper" tuşuna 8 basınız.

Süper dondurma fonksiyonu açılmışsa, dondurucu bölümü göstergesinde "SU" ve "super" gösterilir.

Dondurulmuş besinlerin buzunun çözülmesi

Besin çeşitlerine ve kullanım amacına göre, şu olanaklar arasında seçme yapılabilir:

- Oda sıcaklığında
- Buzdolabında
- Elektrikli fırında, sıcak hava ventilatörü kullanılarak/kullanılmadan
- Mikrodalga fırında

Dikkat

Buzu çözülmeye başlamış veya çözülmüş olan besinleri tekrar dondurmuyunuz. Bu besinleri ancak pişirdikten sonra (pişiriniz veya kızartınız) yeniden dondurabilirsiniz.

Bu durumda besinin azami depolama süresini tamamen kullanmayınız.

Donanım

İç kısmın raflarını, kapı içindeki rafları ve gözleri, ihtiyacınıza göre değiştirebilirsiniz:

- Rafı öne doğru çekiniz, ön kısmı aşağı indiriniz ve yana doğru çevirip çıkarınız.
- Kapı içindeki rafı veya gözü yukarı kaldırınız ve dışarı çıkarınız.

Özel donanım

(her modelde değil)

Dışarı çekilebilen cam rafın cihazdan çıkarılması

Resim 11/14

Cam raf, temizlenmek üzere dışarı çıkarılabilir. Bunun için cam rafı cihazdan dışarı çekiniz, ön tarafını yukarı kaldırınız ve dışarı çıkarınız.

Şişe rafı

Resim 7 A/B

Şişe rafında şişeler emin bir şekilde muhafaza edilebilir.

Buz hazırlayıcı

Resim 5

1. Su kabını dışarı çıkarınız ve işaret kadar su doldurunuz.
2. Doldurma deliği üzerinden dikkatli şekilde suyu küp buz kabına boşaltınız. Bu işlemde suyun mümkün oldukça stok kabının içine veya stok kabına akmasına veya sıçramasına dikkat ediniz. Aksi halde küp buzlar birbirine yapışabilir veya kaba yapışabilir.
3. Küp buzlar donduktan sonra, kolu aşağı bastırınız ve serbest bırakınız. Küp buzlar çözülür ve buz stok kabınının içine düşer.

4. Küp buzları stok kabından alabilirsiniz. Küp buzların birbirine yapışmasının önlenmesi için, muntazam aralıklar ile stok kabından alınmasına dikkat edilmelidir.

Buz kabı

Buz kabının ¾ kadarını içme suyu ile doldurunuz ve kabı dondurucu bölümüne yerleştiriniz.

Buz kabı tabana yapışırsa, keskin ve sivri olmayan bir cisim ile çözmeye çalışınız (kaşık sapı).

Küp buzları buz kabından çıkarmak için, kabı kısa bir süre musluktan akan su altına tutunuz veya biraz sağa sola bükünüz.

Çıkartma "OK"

(her modelde yoktur)

"OK" çıkartması ile, soğutma bölümünde gıda maddeleri için güvenli olan ve tavsiye edilen +4 °C veya altı bir ısı derecesinin mevcut olup olmadığını kontrol edebilirsiniz. Çıkartmada "OK" gösterilmezse, ısı derecesini adım adım azaltınız.

Bilgi

Cihaz devreye sokulduktan sonra, ayarlanmış ısı derecesine ulaşılması 12 saat sürebilir.



Doğru ayar

Cihazın kapatılması, cihazın tamamen kapatılması

Cihazın kapatılması

Resim 1

Açma/Kapama tuşuna 11 basılmalıdır. Kompresör ve aydınlatma kapanır.

Cihazın tamamen kapatılması

Eğer cihaz uzun bir süre kullanılmayacaksa:

1. Cihazı kapatınız.
2. Bunu emin bir şekilde sağlayabilmek için, elektrik bağlantı fişini prizden çıkarınız veya cihazın bağlı olduğu sigortayı kapatınız.
3. Cihaz temizlenmelidir.
4. Cihazın kapısı açık bırakılmalıdır.

Cihazın buzunun çözülmesi

Soğutucu bölmesi

Buz çözme işlemi otomatik gerçekleşir. Erimiş su, akıp boşalma deliği üzerinden, cihazın arka yüzündeki buharlaşma kabına akar.

Dondurucu bölmesi

Tam otomatik NoFrost sistemi sayesinde, dondurucu bölümünde buz oluşmaz. Bu nedenle, buz çözme işlemi yapılması gerekmez.

Cihazın temizlenmesi

⚠ Dikkat

- Kum, klor veya asit içeren temizleme maddeleri ve çözücü maddeler kullanmayınız.
- Ovalama gerektiren veya çizen süngerler kullanmayınız. Metalik yüzeylerde korozyon oluşabilir.
- Raf lar ve kap lar kesinlikle bulaşık makinesinde yıkanmamalıdır. Aksi halde bu parçalar deforme olabilir.

Temizleme suyu,

- dondurucu bölümünün ön taban kısmındaki deliklere,
- kumanda elemanları içine,
- ve aydınlatma sisteminin içine girmemelidir.

Aşağıdaki işlemleri uygulayınız:

1. Temizleme işleminden önce cihazı kapatınız.
2. Elektrik fişi çekilip prizden çıkarılmalı veya cihazın bağlı olduğu sigorta kapatılmalıdır.
3. Dondurulmuş besinleri cihazdan dışarı çıkarınız ve serin bir yerde muhafaza ediniz. Soğutma akülerini (varsa) besinlerin üzerine yerleştiriniz.
4. Kır ağı tabakasının erimesini bekleyiniz.
5. Cihazı yumuşak bir bez, ılık su ve pH değeri nötr olan bir bulaşık deterjanı ile temizleyiniz. Deterjanlı temizleme suyu aydınlatmaya girmemelidir.
6. Kapı contası sadece temiz su ile silinmelidir ve ardından iyice silinip kurulanmalıdır.

7. Temizleme işleminden sonra: Cihazı yine bağlayınız ve devreye sokunuz.
8. Şimdi dondurulmuş besinleri yeniden cihaza yerleştiriniz.

Dolap

Temizlenmek amacıyla, cihazın tüm yeri değiştirilebilen parçaları dışarı çıkarılabilir.

Cam rafların dışarı çıkarılması

Cam rafları öne doğru çekiniz ve dışarı çıkarınız.

Aydınlatma (LED)

Cihazınız, bakım istemeyen bir LED aydınlatması ile donatılmıştır.

Bu aydınlatma donanımında yapılacak onarımlar sadece yetkili servis veya yetkilendirilmiş uzman elemanlar tarafından uygulanmalıdır.

Enerji tasarrufu

- Cihazı serin ve iyi havalandırılmış bir yere kurunuz! Güneş ışınları doğrudan cihazın kurulacağı yere gelmemeli ve cihaz sıcaklık oluşturan cisimlerin ve ısı kaynaklarının (örn. soba, kalorifer, ocak, fırın gibi) yanına veya yakınına kurulmamalıdır.
Gerekirse bir izolasyon plakası kullanınız.
- Sıcak besinleri ve içecekleri cihaza yerleştirmeden önce soğumasını bekleyiniz ve soğuduktan sonra cihaza yerleştiriniz.
- Dondurulmuş besinleri buzlarının çözülmesi için soğutucu bölümüne yerleştirerek, bu besinlerin soğukluğunu söz konusu bölümdeki besinlerin soğutulması için kullanınız.
- Cihaz kapılarını mümkün olduğu kadar kısa açınız.
- Daha fazla elektrik tüketiminin önlenmesi için, cihazın arka yüzü ara sıra temizlenmelidir.
- Eğer mevcutsa:
Duvara mesafe koruma parçalarını monte ederek, cihazın bildirilmiş enerji alma gücüne ulaşmasını sağlayınız (montaj kılavuzuna bakınız). Duvara olan mesafenin azalması, cihazın işlevini sınırlamaz veya düşürmez. Bu durumda, cihazın çektiği enerji miktarı biraz yükselebilir. 75 mm mesafe aşılmamalıdır.
- Donanım parçalarının düzeni, cihazın enerji alma veya çekme tutumunu etkilemez.

Çalışma sesleri

Normal çalışma ses ve gürültüleri

Boğuk horultu

Motorlar çalışıyor (örn. soğutma ünite grubu, ventilatör).

Fıkırtı, şırıltı ve tınlama sesleri

Boruların içinde soğutma maddesi akıyor.

Çıtlama sesi

Motor, şalter veya manyetik valfler açılıyor/kapanıyor.

Çatırdama

Otomatik buz çözme yapılıyor.

Gürültü oluşmasının önlenmesi

Cihaz düz yerleştirilmemiş

Cihazı lütfen bir su terazisinin yardımı ile dengeli ayarlayınız. Düzeltme işlemi için cihazın ayarlanabilen vidalı ayarlarını kullanınız veya altına uygun parçalar koyunuz.

Cihaz bir yere "temas" ediyor

Cihazı, temas ettiği mobilya veya cihazlardan ayırınız.

Kaplar veya raflar sallanıyor veya sıkışıyor

Dışarı çıkarılabilen parçaları kontrol ediniz ve gerekirse yeniden takınız.

Şişeler veya kaplar birbirine değiyor

Şişeleri veya kapları birbirinden biraz ayırınız.

Basit hataları kendiniz giderebilirsiniz

Yetkili servisi çağırmadan önce:

Aşağıdaki talimatların yardımıyla arızayı kendinizin giderip gideremeyeceğinizi kontrol ediniz.

Garanti süresi içerisinde dahi, bu gibi durumlarda servis görevlisinin masraflarının tümünü kendiniz ödemek zorundasınız!

Arıza	Muhtemel sebebi	Giderilmesi
Sıcaklık derecesi, yapılmış ayardan çok daha farklı.		Bazı durumlarda cihazı 5 dakika kapatmanız yeterlidir. Isı derecesi çok sıcak ise, birkaç saat sonra ısı derecesinin ayar derecesine yaklaşım yaklaşmadığını kontrol ediniz. Sıcaklık derecesi düşükse, yani çok soğuksa, sıcaklık derecesini ertesi gün tekrar kontrol ediniz.
Göstergede "E.." görünüyor.	Elektronik sistem bir hata tespit etti.	Yetkili servisi çağırınız.

Arıza	Muhtemel sebebi	Giderilmesi
İkaz sesi duyulur. Isı derecesi göstergesinde, Resim 2/1, "AL" yanıp söner ve "alarm" gösterilir.	Arıza – Dondurucu bölmesi çok sıcak!	İkaz sesini kapatmak için alarm tuşuna 9 basınız. Isı derecesi göstergesinin 1 yanıp sönmesi sona erer. Isı derecesi göstergesinde 1 10 saniye boyunca, dondurucu bölümünde söz konusu olmuş olan en yüksek ısı derecesi görüntülenir.
	Dondurulmuş besinler için tehlike söz konusu!	Bilgi Buzu çözülmüş olan veya çözülmeye başlamış olan besinleri, eğer et ve balık bir günden fazla, diğer dondurulmuş besinler ise üç günden fazla +3 °C'den daha sıcak olmadıysa, yeniden dondurmak mümkündür. Eğer besinlerin tadı, kokusu ve görünüşü değişmemişse, besinler pişirildikten veya kızartıldıktan sonra yeniden dondurulabilir. Azami depolama süresini bu durumda tamamen kullanmayınız.
	Cihazın kapısı veya kapağı açık.	Cihaz kapısını veya kapağını kapatınız.
	Hava giriş ve çıkış deliklerinin önü kapanmış.	Cihazın hava giriş ve çıkışını sağlayınız.
	Bir seferde çok fazla besin dondurulmak için cihaza yerleştirildi.	Azami dondurma kapasitesi aşılmamalıdır.
Aydınlatma çalışmıyor.	LED aydınlatma bozuk.	Bakınız bölüm "Aydınlatma (LED)".
	Cihaz kapısı veya kapağı çok uzun bir süre açık kaldı. Aydınlatma yakl. 10 dakika sonra kapatılır.	Cihaz kapısı veya kapağı kapatılıp açıldıktan sonra, aydınlatma yine yanar.
Kumanda birimlerinde düşük ışık gücü söz konusu olur.	Eğer cihaz belli bir süre kullanılmadıysa, kumanda panosunun göstergesi enerji tasarruf moduna geçer.	Cihaz tekrar kullanılmaya başlanınca, örn. cihazın kapısı açılınca, gösterge yeniden normal aydınlatma moduna geçer.
Herhangi bir gösterge yanmıyor.	Elektrik kesintisi; sigorta kapalı; elektrik fişi prize iyi takılmamış.	Elektrik fişini takınız. Elektrik akımı olup olmadığı kontrol edilmelidir, sigortalar kontrol edilmelidir.

Arıza	Muhtemel sebebi	Giderilmesi
Dondurucu bölümünün derecesi çok sıcak.	Cihazın çok sık açılması.	Cihazı gereksiz açmayınız.
	Hava giriş ve çıkış deliklerinin önü kapanmış.	Engeller giderilmelidir.
	Çok miktarda taze besin donduruldu.	Azami dondurma kapasitesi aşılmamalıdır.
Dondurucu bölümünün kapısı uzun süre açık kaldı; artık ayarlanmış sıcaklığa ulaşamıyor.	NoFrost sistemindeki evaporatör (soğuk üretici) aşırı oranda buz tutmuş ve bu nedenle tam otomatik buz çözme işlemini yapamıyor.	<p>Evaporatörün buzunu çözmek için, dondurulmuş besinleri çekmeceler veya içine kondukları gözler ile birlikte cihazdan dışarı çıkarınız ve iyice izole ederek, serin bir yerde muhafaza ediniz.</p> <p>Cihazı kapatınız ve iteleyerek duvardan uzaklaştırınız. Cihazın kapısı açık bırakılmalıdır. Yaklaşık 20 dakika sonra, eriyen su cihazın arka yüzündeki buharlaşma kabının içine akmaya başlar. Resim 9</p> <p>Bu işlem esnasında buharlaşma kabının taşmasını önlemek için, eriyen suyu bir sünger ile emerek kabın boşlmasını sağlayınız.</p> <p>Buharlaşma kabına artık buz suyu eriyip akmayınca, evaporatörün buzunu çözülmüş demektir. Cihazın içini temizleyiniz. Cihazı tekrar çalıştırınız.</p>

Müşteri Hizmetleri

Size yakın bir yetkili servisimizi telefon rehberinde veya yetkili servis listesinde bulabilirsiniz. Müşteri hizmetlerine lütfen cihazın ürün numarasını (E-Nr.) ve imalat numarasını (FD-Nr.) belirtin.

Bu numaraları, tip levhasının üzerinde bulabilirsiniz. Resim 10

Cihazın ürün numarasını ve imalat numarasını bildirmek suretiyle, gereksiz gidip gelme masraflarını ve zaman kaybını önlemiş olursunuz. Böylelikle ilgili fazla masraflardan tasarruf etmiş olursunuz.

Arızalarda onarım siparişi ve danışma

Tüm ülkelerin iletişim bilgileri için, ekteki yetkili servis listesine bakınız.

TR 444 6333

Çağrı merkezini sabit hatlardan aramanın bedeli şehir içi ücretlendirme, Cep telefonlarından ise kullanılan tarifeye göre değişkenlik göstermektedir.

Kullanım Süresi: 10 YIL (Ürünün fonksiyonunu yerine getirebilmesi için gerekli yedek parça bulundurma süresi).

Garanti Şartları

- Malın ayıplı olduğunun anlaşılması durumunda tüketici, 6502 sayılı Tüketicinin Korunması Hakkında Kanunun 11 inci maddesinde yer alan;
 - Sözleşmeden dönme
 - Satış bedelinden indirim isteme,
 - Ücretsiz onarılmasını isteme,
 - Satılanın ayıpsız bir misli ile değiştirilmesini isteme,
 haklarından birini kullanabilir.
- Tüketicinin bu haklarından ücretsiz onarım hakkını seçmesi durumunda satıcı; işçilik masrafı, değiştirilen parça bedeli ya da başka herhangi bir ad altında hiçbir ücret talep etmeksizin malın onarımını yapmak veya yaptırmakla yükümlüdür. Tüketici ücretsiz onarım hakkını üretici veya ithalatçıya karşı da kullanılabilir. Satıcı, üretici ve ithalatçı tüketicinin bu hakkını kullanmasından müteselsilen sorumludur.
- Tüketicinin, ücretsiz onarım hakkını kullanması halinde malın;
 - Garanti süresi içinde tekrar arızalanması,
 - Tamiri için gereken azami sürenin aşılması,
 - Tamirinin mümkün olmadığı için, yetkili servis istasyonu, satıcı, üretici veya ithalatçı tarafından bir raporla belirlenmesi durumlarında;
 tüketici malın bedel iadesini, ayıp oranında bedel indirimini veya imkan varsa malın ayıpsız misli ile değiştirilmesini satıcıdan talep edilir. Satıcı, tüketicinin talebini reddedemez. Bu talebin yerine getirilmemesi durumunda satıcı, üretici ve ithalatçı müteselsilen sorumludur.

- Malın kullanım kılavuzunda yer alan hususlara aykırı kullanılmasından kaynaklanan arızalar garanti kapsamı dışındadır.
- Tüketici, garantiden doğan haklarının kullanılması ile ilgili olarak çıkabilecek uyuşmazlıklarda yerleşim yerinin bulunduğu veya tüketici işleminin yapıldığı yerdeki Tüketici Hakem Heyetine veya Tüketici Mahkemesine başvurabilir.

Указания по безопасности и предупреждения

Прежде чем ввести прибор в эксплуатацию

Внимательно прочтите инструкцию по монтажу и эксплуатации! В ней содержится важная информация по установке, использованию и техническому обслуживанию прибора.

Изготовитель не несет никакой ответственности за последствия, если Вы не соблюдали указания и предупреждения, приведенные в инструкции по эксплуатации. Сохраните всю документацию для позднейшего использования или для передачи ее следующему владельцу прибора.

Техническая безопасность

В трубах контура циркуляции хладагента имеется в небольшом количестве экологически безвредный, но горючий хладагент (R600a). Он не разрушает озоновый слой и не способствует развитию парникового эффекта. При вытекании хладагент может привести к травмам глаз или воспламенению.

При повреждениях:

- Не подходите близко к бытовому прибору с открытым пламенем или какими-либо иными источниками воспламенения,
- хорошо проветрите помещение в течение нескольких минут,
- выключите холодильник и извлеките вилку из розетки,
- сообщите о повреждениях в сервисную службу.

Чем большее количество хладагента содержится в бытовом приборе, тем больше должно быть помещение, в котором он установлен. В слишком маленьких помещениях при утечке хладагента может образоваться горючая смесь паров хладагента с воздухом. На каждые 8 г хладагента должен приходиться как минимум 1 м³ помещения. Количество хладагента, содержащееся в Вашем бытовом приборе, приведено в фирменной табличке, расположенной внутри бытового прибора.

В случае повреждения сетевой шнур данного прибора заменяется изготовителем, сервисной службой или специалистом с соответствующей квалификацией. Неквалифицированно выполненные установка и ремонт бытового прибора могут превратить его в источник серьезной опасности для пользователя. Ремонт производится только изготовителем, сервисной службой или специалистом с соответствующей квалификацией.

Разрешается использовать только оригинальные запчасти изготовителя. Только в отношении этих деталей изготовитель гарантирует, что они отвечают требованиям техники безопасности.

Удлинитель сетевого шнура можно приобретать только в сервисной службе.

При эксплуатации

- Никогда не использовать электрические приборы внутри прибора (напр.: нагревательные приборы, электрические мороженицы и т.д.). Взрывоопасность!
- Никогда не размораживать и не чистить прибор с помощью пароочистителя! Пар может попасть на электрические детали и вызвать короткое замыкание. Опасность поражения электрическим током!
- Иней и лед нельзя удалять с помощью предметов с острым концом и острыми краями. Тем самым Вы можете повредить трубки, по которым циркулирует хладагент. Брызги хладагента могут воспламениться или привести к поражению глаз.

- Не хранить продукты с горючими газами-вытеснителями (напр., аэрозольные баллончики), а также взрывоопасные вещества. Взрывоопасность!
- Не использовать цокольную подставку, вытяжные полки, дверцы и т.д. в качестве подножки или опоры.
- Перед чисткой холодильника следует извлечь вилку из розетки или выключить предохранитель. При извлечении вилки из розетки следует тянуть за вилку, а не за сетевой шнур.
- Крепкие алкогольные напитки хранить только плотно закрытыми и стоя.
- Не допускать попадания масла или жира на пластмассовые детали и уплотнитель дверцы. Иначе пластмассовые детали и уплотнитель дверцы станут пористыми.
- Никогда не закрывать и не загораживать вентиляционные отверстия прибора.

■ Предупреждение рисков для детей и подверженных опасности лиц:

К подверженным опасности лицам относятся дети, лица с физическими и психическими ограничениями или с ограниченным восприятием, а также лица, не обладающие достаточными знаниями для надежной эксплуатации прибора.

Убедитесь в том, что дети и подверженные опасности лица осознали грозящие опасности.

При использовании прибора, дети и подверженные опасности лица должны находиться под надзором или руководством лица, отвечающего за их безопасность.

Пользование прибором можно позволять только детям старше 8 лет.

Во время чистки и технического обслуживания дети должны находиться под надзором.

Ни в коем случае не позволять детям играть с прибором.

- В морозильном отделении нельзя хранить жидкости в бутылках или жестяных банках (особенно газированные напитки). Бутылки и банки могут лопнуть!
- Замороженные продукты никогда не брать в рот сразу после извлечения из морозильного отделения. Опасность холодового ожога!
- Избегайте продолжительного контакта рук с замороженными продуктами, льдом или трубками испарителя и т.д. Опасность холодового ожога!

Если в доме есть дети

- Упаковку и ее составные части нельзя отдавать детям. Существует опасность удушья, которой дети подвергаются, закрывшись в картонной коробке или запутавшись в полиэтиленовой пленке!
- Холодильник – это не игрушка для детей!
- В случае с холодильниками, дверь которых закрывается на замок: храните ключ от замка в недоступном для детей месте!

Общая информация

Бытовой прибор предназначен

- для охлаждения и замораживания продуктов питания,
- для приготовления пищевого льда,
- для выдачи охлажденной воды.

Этот прибор предназначен для использования в частном домашнем хозяйстве и в бытовых условиях.

Согласно предписаниям Директивы ЕС 2004/108/ЕС, бытовой прибор при работе не создает радиопомех.

Контур циркуляции хладагента проверен на герметичность.

Данный бытовой прибор отвечает соответствующим требованиям Предписаний по технике безопасности для электрических приборов (EN 60335-2-24).

Данный прибор предназначен для использования на высоте не более 2000 м над уровнем моря.

Указания по утилизации

Утилизация упаковки

Весь упаковочный материал, который использовался для защиты холодильника при транспортировке, пригоден для вторичной переработки и не наносит вреда окружающей среде. Внесите, пожалуйста, и Вы свой вклад в дело защиты окружающей среды, сдав упаковку на экологичную утилизацию.

Информацию об актуальных методах утилизации Вы можете получить у Вашего торгового агента или в административных органах по месту Вашего жительства.

Утилизация старого холодильника

Отслужившие свой срок старые бытовые холодильники нельзя рассматривать как бесполезные отходы! Благодаря экологичной утилизации из них удастся получить ценное сырье.



Данный прибор имеет отметку о соответствии европейским нормам 2012/19/EU утилизации электрических и электронных приборов (waste electrical and electronic equipment - WEEE).

Данные нормы определяют действующие на территории Евросоюза правила возврата и утилизации старых приборов.

Предупреждение

В случае с отслужившими свой срок холодильниками:

1. Извлеките вилку из розетки.
2. Отрежьте сетевой шнур и уберите его подальше вместе с вилкой.
3. Полки, боксы и контейнеры извлекать не следует, чтобы дети не смогли забраться внутрь холодильника!
4. Не позволяйте детям играть со старым бытовым прибором. Опасность душения!

В холодильной установке содержится хладагент, а в изоляции бытового прибора – газы, утилизация которых должна проводиться квалифицированно. Трубки контура, по которому циркулировал хладагент, ни в коем случае не должны быть повреждены до начала утилизации.

Объем поставки

Убедитесь в отсутствии возможных повреждений элементов при транспортировке, освободив все элементы от упаковки.

С рекламациями обращайтесь в магазин, в котором Вы приобрели прибор, или в нашу сервисную службу.

В комплект поставки входят следующие элементы:

- Напольный прибор
- Оснащение (в зависимости от модели)
- Мешок с монтажными материалами
- Инструкция по эксплуатации
- Инструкция по монтажу
- Книжка сервисной службы
- Гарантия в приложении
- Информация о расходе электроэнергии и шумах

Температура окружающей среды и вентиляция

Температура окружающей среды

Холодильник относится к определенному климатическому классу. В зависимости от климатического класса, холодильник может работать при приведенных ниже значениях температуры окружающей среды.

Климатический класс прибора указан в его типовой табличке (рисунок 10).

Климатический класс	Допустимая температура окружающей среды
SN	от +10 °С до +32 °С
N	от +16 °С до +32 °С
ST	от +16 °С до +38 °С
T	от +16 °С до +43 °С

Указание

Полная функциональность прибора обеспечена в пределах температуры окружающей среды указанного климатического класса. Если прибор климатического класса SN работает при более низкой температуре окружающей среды, то повреждения прибора можно исключить до температуры +5 °С.

Вентиляция

Рисунок **3**

Воздух у задней стенки прибора и у его боковых стенок нагревается. Нагретый воздух должен иметь возможность беспрепятственно подниматься вверх. Иначе холодильный агрегат должен будет работать с повышенной нагрузкой. А это повышает расход электроэнергии. Поэтому: Никогда не закрывайте и ничем не загораживайте вентиляционные отверстия холодильника!

Подключение бытового прибора

После установки бытового прибора следует подождать как минимум 1 час и только потом вводить его в эксплуатацию. Так как не исключено, что во время транспортировки бытового прибора содержащееся в компрессоре масло могло попасть в систему охлаждения. Перед вводом бытового прибора в эксплуатацию в первый раз следует почистить его изнутри (смотрите раздел «Чистка бытового прибора»).

Электроподключение

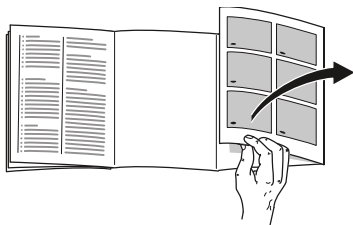
Розетка должна находиться вблизи прибора и в свободно доступном месте даже после установки прибора. Прибор соответствует классу защиты I. Прибор подключайте к сети переменного тока 220–240 В/50 Гц с помощью установленной надлежащим образом розетки с заземлителем. Сетевая розетка должна быть оснащена предохранителем на 10–16 А. В случае с бытовыми приборами, которые будут эксплуатироваться в неевропейских странах, необходимо проследить, чтобы значение напряжения и вид тока совпадали с параметрами электросети пользователя. Все эти данные Вы сможете найти в типовой табличке холодильника, рисунок **10**

Предупреждение

Прибор нельзя ни в коем случае подключать к электронным энергосберегающим штекерам.

Для использования наших бытовых приборов можно применять ведомые сетью и синусные инверторы. Ведомые сетью инверторы применяются в фотогальванических энергетических установках, которые подсоединяются непосредственно к общественной сети энергоснабжения. В изолированных условиях (напр., на кораблях или в горных приютах) без непосредственного подсоединения к общественной электросети необходимо применение синусных инверторов.

Знакомство с бытовым прибором



Откройте, пожалуйста, последние страницы с рисунками. Данная инструкция по эксплуатации действительно для нескольких моделей.

Комплектация моделей может отличаться друг от друга.

Поэтому в рисунках не исключены некоторые отличия.

Рисунок **1**

* Не во всех моделях.

- 1-9 Элементы управления
- 10 Выключатель освещения в морозильном отделении
- 11 Кнопка включения/выключения
- 12* Отделение для быстрого замораживания продуктов
- 13 Выключатель освещения в холодильном отделении
- 14 Выдвижная стеклянная полка
- 15 Отверстие для выхода воздуха
- 16 Освещение (на светодиодах)
- 17 Полки в холодильном отделении
- 18 Отделение с пониженной температурой
- 19 Ящик для овощей и фруктов
- 20 Винтовые ножки
- 21 Полка на двери холодильника
- 22* Льдогенератор

- 23* Емкость для хранения кубиков пищевого льда
- 24 Полка для яиц
- 25 Полка на двери холодильника
- 26 Полка для больших бутылок

- A Морозильное отделение
- B Холодильное отделение

Элементы управления

Рисунок **2**

- 1 **Индикация температуры в морозильном отделении**
Цифры соответствуют значениям установленной для морозильного отделения температуры в °С.
- 2 **Кнопка «timer»**
С помощью этой кнопки можно задавать время, по истечении которого будет звучать сигнал. Смотрите информацию в разделе «Специальные функции».
- 3 **Кнопка «mode»**
Для выбора специальных функций. Смотрите информацию в разделе «Специальные функции».
- 4 **Индикатор температуры в холодильном отделении**
Цифры соответствуют значениям установленной для холодильного отделения температуры в °С.
- 5 **Участок дисплея для индикации специальных функций**
Смотрите информацию в разделе «Специальные функции».

6 Кнопки настройки

С помощью кнопок «+» и «-» Вы можете установить температуру холодильного и морозильного отделения. Также Вы можете включать и выключать специальные функции.

7 Кнопка выбора холодильного или морозильного отделения

Чтобы можно было выполнить настройку холодильного или морозильного отделения, необходимо нажать на кнопку выбора и не отпускать ее до тех пор, пока не включится необходимый Вам участок дисплея (холодильное или морозильное отделение).

8 Кнопка «super»

Для включения функции суперохлаждения (для холодильного отделения) или суперзамораживания (для морозильного отделения).

Смотрите информацию в разделе «Суперохлаждение» или «Суперзамораживание».

9 Кнопка «alarm»

Данная кнопка служит для выключения предупредительного сигнала (смотрите раздел «Предупредительная функция»).

Включение бытового прибора

Включите прибор с помощью кнопки **1**/11 включения/выключения. Зазвучит предупредительный сигнал. На дисплее индикации температуры 1 замигает «AL».

Нажмите на кнопку «alarm» **2**/9.

Предупредительный сигнал выключится. Дисплей показывает на протяжении короткого времени самую высокую температуру.

Специалистами завода-изготовителя рекомендуются следующие установочные значения температуры:

- Холодильное отделение: +4 °C
- Морозильное отделение: -18 °C

Указания по эксплуатации

- Прибору может потребоваться после включения несколько часов для достижения установленного уровня температуры.
- Благодаря полностью автоматической системе «NoFrost» внутри морозильного отделения лед не образуется. В размораживании отделения больше нет необходимости.
- Передняя сторона корпуса местами слегка подогревается, что препятствует образованию конденсата вокруг уплотнителя дверцы.

- Если после закрывания морозильного отделения дверцу не удастся сразу снова открыть, то подождите, пожалуйста, некоторое время, пока компенсируется создавшееся внутри отделения пониженное давление.

Установка температуры

Рисунок 2

Холодильное отделение

Температура регулируется в диапазоне от +2 °С до +8 °С.

1. Нажимайте на кнопку выбора 7 до тех пор, пока не будет активизирован участок дисплея 4 для холодильного отделения.
2. Нажимайте на кнопки «+/-» 6 до тех пор, пока на дисплее не появится необходимая Вам температура.

Скорпортящиеся продукты не должны храниться при температуре выше +4 °С.

Морозильное отделение

Температура регулируется от -16 °С до -26 °С.

1. Нажимать на кнопку выбора 7 до тех пор, пока не активируется индикация морозильного отделения 1.
2. Нажимайте на кнопки «+/-» до тех пор, пока не высветится необходимая температура.

Специальные функции

Рисунок 2

Функция «timer»

С помощью данной функции Вы можете задавать время от 1 до 99 минут. Например, если продукты питания должны быть через некоторое время извлечены из какого-либо отделения холодильника, то Вам об этом напомнит сигнал, звучащий по истечении заданного времени.

На заводе-изготовителе была выполнена предварительная установка времени 20 минут.



Внимание

Если оставить бутылки с напитками в морозильном отделении дольше чем на 20 минут, то они могут лопнуть.

Включение функции

1. Нажать на кнопку «timer» 2.
2. С помощью кнопок «+/-» установить необходимое время.

Выключение функции

В течение 3 секунд дважды нажать на кнопку «timer» 2.

Функция «есо»

После включения функции «есо» бытовой прибор переходит на работу в режиме экономии электроэнергии.

Холодильник автоматически переключается на следующие значения температуры:

- Холодильное отделение: + 6 °С
- Морозильное отделение: -16 °С

Включение функции

1. Нажимайте на кнопку «mode» 3 до тех пор, пока в рамке не окажется необходимая Вам специальная функция.
2. С помощью установочной кнопки «+» 6 подтвердите правильность выбора. Когда функция включена, на дисплее появляется треугольник.

Выключение функции

Для выключения специальной функции снова выберите ее с помощью кнопки «mode» 3 и нажмите на установочной кнопки «-» 6. Треугольник позади символа функции исчезает, тем самым функция считается выключенной.

Функция «lock»

С помощью функции «lock» можно заблокировать бытовой прибор от нежелательных вмешательств в его настройку.

Включение функции

1. Нажимайте на кнопку «mode» 3 до тех пор, пока в рамке не окажется необходимая Вам специальная функция.
2. С помощью установочной кнопки «+» 6 подтвердите правильность выбора. Когда функция включена, на дисплее появляется треугольник.

Выключение функции

Для выключения специальной функции снова выберите ее с помощью кнопки «mode» 3 и нажмите на установочной кнопки «-» 6. Треугольник позади символа функции исчезает, тем самым функция считается выключенной.

Функция «holiday»

На период длительного отсутствия Вы можете перевести холодильник в отпускной режим – режим экономии электроэнергии.

Температура в холодильном отделении автоматически переводится на значение +14 °С.

В это время в холодильном отделении не следует хранить продукты питания.

Включение функции

1. Нажимайте на кнопку «mode» 3 до тех пор, пока в рамке не окажется необходимая Вам специальная функция.
2. С помощью установочной кнопки «+» 6 подтвердите правильность выбора. Когда функция включена, на дисплее появляется треугольник.

Выключение функции

Для выключения специальной функции снова выберите ее с помощью кнопки «mode» 3 и нажмите на установочной кнопки «-» 6. Треугольник позади символа функции исчезает, тем самым функция считается выключенной.

Предупредительная функция

Предупредительная сигнализация может включиться в следующих случаях:

Предупредительный сигнал при открытой дверце

Если прибор остается открытым дольше 1 минуты, включается предупредительный сигнал при открытой дверце (непрерывный звуковой сигнал). Предупредительный сигнал выключается после закрытия дверцы или нажатия на кнопку Alarm 9.

Сигнализация предупреждения о повышении температуры

Сигнализация предупреждения о повышении температуры включается снова, если в морозильном отделении становится слишком тепло и замороженные продукты могут разморозиться.

На дисплее 1 мигает «AL» и появляется индикация «alarm».

После нажатия на кнопку «alarm» **2**/9 индикация морозильного отделения **2**/1 показывает в течение 10 секунд самую высокую температуру, которая там поддерживалась.

Затем это значение температуры исчезает. Индикация температуры морозильного отделения **2**/1 показывает установленную температуру.

Предупредительная сигнализация может включиться, даже если замороженным продуктам не угрожает размораживание, в следующих случаях:

- при вводе прибора в эксплуатацию,
- при загрузке большого количества свежих продуктов питания,
- при слишком долго открытой двери морозильного отделения.

Указание

Подтаявшие или полностью размороженные продукты нельзя снова замораживать. Только после тепловой обработки продуктов (их можно сварить или поджарить) готовые блюда можно снова заморозить.

Но готовые блюда нельзя хранить так долго, как свежие продукты.

Сигнализация быстрого охлаждения

Сигнализация быстрого охлаждения включается, если функция для быстрого охлаждения напитков была включена кнопкой таймера **2**/2.

Охлаждение напитков завершено.

Полезный объем

Данные, касающиеся полезного объема, Вы сможете найти, внутри своего бытового прибора на типовой табличке. Рисунок **10**

Использование всего объема морозильного отделения

Чтобы загрузить максимальное количество замороженных продуктов, можно извлечь следующие элементы оснащения.

Извлечение элементов оснащения

- Дверную полку можно извлечь. Рисунок **8**
- Установленный в электроприборе льдогенератор можно извлечь. Рисунок **6**

Холодильное отделение

Холодильное отделение обеспечивает идеальные условия для хранения мяса, колбасы, рыбы, молочных продуктов, яиц, готовых блюд и выпечки.

При размещении продуктов учитывать следующее

- Загружайте свежие, неповрежденные продукты. Таким образом дольше сохранятся качество и свежесть продуктов.
- Следить за указанными изготовителями сроками годности или сроками хранения готовых продуктов и развесных товаров.
- Для сохранения аромата, цвета и свежести загружать продукты в плотной упаковке или в закрытой посуде. Таким образом можно избежать изменения вкуса продуктов, а также изменения цвета пластмассовых деталей в холодильном отделении.
- Горячие блюда и напитки сначала охладить а потом поставить в прибор.

Указание

Избегайте касания продуктами питания задней стенки. Это нарушит циркуляцию воздуха.

Продукты питания или упаковки могут примерзнуть к задней стенке.

Обратить внимание на различные температурные зоны в холодильном отделении

Благодаря циркуляции воздуха в холодильном отделении возникают различные температурные зоны:

- **Зона самой низкой температуры** находится внутри у задней стенки и в боксе Chiller. Рисунок **1**/18

Указание

В месте наиболее сильного охлаждения следует хранить скоропортящиеся продукты питания, например, рыбу, колбасу, мясо.

- **Зона самой высокой температуры** находится в самой верхней части дверцы.

Указание

Храните в зоне самой высокой температуры, напр., твердый сыр и масло. Так, аромат сыра может продолжать раскрываться, масло остается мягким для намазывания.

Контейнер для овощей с регулятором влажности

Рисунок **4**

Для создания оптимальных условий хранения для фруктов и овощей Вы можете отрегулировать влажность воздуха в контейнере для овощей в соответствии с количеством загруженных продуктов:

- малое количество фруктов и овощей – высокая влажность воздуха
- большое количество фруктов и овощей – низкая влажность воздуха

Указания

- Чувствительные к низким температурам фрукты (напр.: ананасы, бананы, папайю и цитрусовые) и овощи (напр.: баклажаны, огурцы, цуккини, паприку, помидоры и картофель) для оптимального сохранения качества и аромата следует хранить вне холодильника при температурах от +8 °C до +12 °C.
- В зависимости от количества и вида хранимых продуктов в контейнере для овощей может образовываться конденсат. Вытереть конденсат сухой тряпочкой и отрегулировать влажность воздуха в контейнере для овощей при помощи регулятора влажности.

Бокс Chiller

Рисунок **1**/18

В боксе Chiller температура ниже, чем в холодильном отделении. Температура может опускаться даже ниже 0 °C.

Идеально подходит для хранения рыбы, мяса и колбасы. Не предназначен для хранения салатов, овощей и продуктов, чувствительных к воздействию низкой температуры.

Суперохлаждение

При этом холодильное отделение в течение 6 часов охлаждается до самой низкой предельно-допустимой температуры. Затем происходит автоматическое переключение на установленную до включения суперохлаждения температуру.

Функцию суперохлаждения следует включать, например

- перед загрузкой большого количества продуктов питания,
- для быстрого охлаждения напитков.

Включение и выключение

Рисунок 2

1. Нажимайте на кнопку выбора 7 до тех пор, пока не активизируется участок дисплея для холодильного отделения 4.
2. Нажмите кнопку «super» 8.

После включения функции суперохлаждения на участке дисплея для холодильного отделения появляется индикация «SU» и «super».

Морозильное отделение

Использование морозильного отделения

- Для хранения замороженных продуктов питания.
- Для приготовления кубиков пищевого льда.
- Для замораживания свежих продуктов.

Указание

Следите, пожалуйста, за тем, чтобы дверца морозильного отделения всегда была закрыта! Так как при открытой двери замороженные продукты могут подтаять и стенки морозильного отделения покрываются толстым слоем льда. Кроме того: расточительно расходуется электроэнергия из-за повышенного потребления тока!

Макс. производительность замораживания

Данные по макс. производительности замораживания в течение 24 часов Вы найдете в фирменной табличке.

Рисунок 10

Замораживание и хранение продуктов

Покупка замороженных продуктов

- Упаковка не должна быть повреждена.
- Обращайте внимание на указанный срок хранения.
- Температура в морозильном шкафу в магазине должна быть -18 °С или ниже.
- Замороженные продукты перед транспортировкой следует по возможности сложить в термоизолирующую сумку и дома побыстрее загрузить в морозильное отделение.

При расположении продуктов обратите внимание на следующее

В бытовой прибор было загружено за один раз большее чем обычно количество продуктов. Там они замораживаются очень быстро и благодаря этому в щадящих условиях.

Уже замороженные продукты не должны соприкасаться со свежими продуктами, только предназначенными для замораживания.

Замораживание свежих продуктов питания

Для замораживания следует брать только абсолютно свежие продукты питания.

Чтобы как можно лучше сохранить пищевую ценность, аромат и цвет, овощи следует перед замораживанием бланшировать. Бланширование не требуется для баклажанов, сладкого стручкового перца, кабачков и спаржи.

Литературу о замораживании и бланшировании Вы найдете в книжных магазинах.

Указание

Постарайтесь, чтобы предназначенные для замораживания свежие продукты питания не соприкасались с уже замороженными продуктами.

- Замораживать можно: выпечку, рыбу и морепродукты, мясо, дичь, птицу, овощи, фрукты, зелень, яйца без скорлупы, молочные продукты, напр., сыр, масло и творог, готовые блюда и остатки приготовленных блюд, напр., супы, рагу, приготовленные мясо и рыбу, блюда из картофеля, запеканки и сладкие блюда.
- Замораживать нельзя: употребляемые в пищу преимущественно в сыром виде овощи, напр., листовые салаты или редиска, яйца в скорлупе, виноград, целые яблоки, груши, персики, сваренные вкрутую яйца, йогурт, простоквашу, сметану, крем-фреш и майонез.

Упаковка продуктов для замораживания

Упакуйте продукты герметично, чтобы они не потеряли вкус и не вымерзли.

1. Положите продукты в упаковку.
2. Выдавите из упаковки весь воздух.
3. Герметично закройте упаковку.
4. Укажите на упаковке, что в ней находится, и когда продукты были заморожены.

В качестве упаковки можно использовать:

пленку из различных синтетических материалов, рукава из полиэтиленовой пленки, алюминиевую фольгу, специальные емкости для замораживания продуктов. Всю эту продукцию Вы найдете в специализированных магазинах.

В качестве упаковки нельзя использовать:

упаковочную или пергаментную бумагу, целлофан, мешки для мусора и использованные пакеты для покупок.

Для закрывания упаковки можно использовать:

резиновые кольца, пластмассовые зажимы, шпагат, морозостойкую клейкую ленту и проч.

Мешки и рукава из полиэтиленовой пленки можно заварить с помощью специального сварочного аппарата.

Продолжительность хранения замороженных продуктов

Срок хранения продуктов питания зависит от их вида.

При температуре $-18\text{ }^{\circ}\text{C}$:

- Рыба, колбаса, готовые блюда, хлебо-булочные изделия:
до 6 месяцев
- Сыр, птица, мясо:
до 8 месяцев
- Овощи, фрукты:
до 12 месяцев

Суперзамораживание

Чтобы в замороженных продуктах сохранились витамины и питательные вещества, а также не испортились их привлекательный вид и хороший вкус, продукты должны как можно быстрее промерзнуть до самой сердцевины.

Включите суперзамораживание за несколько часов перед загрузкой свежих продуктов в целях предупреждения нежелательного повышения температуры.

В общем и целом достаточно 4–6 часов.

После включения данной функции прибор работает непрерывно. В морозильном отделении устанавливается очень низкая температура.

Для использования максимальной производительности замораживания, включите суперзамораживание за 24 часа до загрузки свежих продуктов.

Небольшие количества продуктов питания (до 2 кг) можно замораживать без включения суперзамораживания.

Указание

Во время работы суперзамораживания эксплуатационный шум может усиливаться.

Включение и выключение

Рисунок 2

1. Нажимайте на кнопку выбора 7 до тех пор, пока не активируется индикация морозильного отделения 1.
2. Нажмите кнопку «super» 8.

После включения функции суперзамораживания на участке дисплея для морозильного отделения появляется индикация «SU» и «super».

Размораживание продуктов

В зависимости от вида и способа приготовления продуктов можно выбрать один из следующих способов их размораживания:

- при комнатной температуре,
- в холодильном отделении,
- в электрическом духовом шкафу, с обдувом горячим воздухом или без,
- в микроволновой печи.



Внимание

Подтаявшие или полностью размороженные продукты нельзя снова замораживать. Только после тепловой обработки продуктов (их можно сварить или поджарить) готовые блюда можно снова заморозить.

Но их нельзя хранить так же долго, как и замороженные свежие продукты.

Специальное оснащение

При необходимости Вы можете переставить полки, расположенные внутри холодильного отделения и на его дверце, в другое место:

- Потяните полку на себя, опустите ее спереди и затем извлеките ее сбоку из направляющих.
- Дверную полку приподнимите и снимите.

Специальное оснащение

(не во всех моделях)

Извлечение выдвижной стеклянной полки

Рисунок **1**/14

Стеклопанельная полка извлекается для мытья. Для этого потяните полку к себе, приподнимите спереди и извлеките.

Полка для бутылок

Рисунок **7** А/В

На эту полку можно складывать бутылки, не боясь, что они упадут.

Льдогенератор

Рисунок **5**

1. Извлеките бак для воды и залейте воду до отметки.
2. Слейте осторожно воду через заливное отверстие в емкость для льда. Следите при этом, чтобы вода по возможности не текла вовнутрь емкости для хранения кубиков льда или снаружи по емкости, а также не разбрызгивалась. Кубики льда в противном случае могут примерзнуть друг к другу или к поверхности емкости.

3. Когда кубики льда заморозились, нажмите рычаг вниз и отпустите. Кубики льда отсоединятся от ванночки и упадут в емкость, предназначенную для их хранения.
4. Теперь кубики льда можно достать из этой емкости. Кубики льда следует регулярно извлекать из емкости для хранения кубиков льда, чтобы предотвратить их смерзания друг с другом.

Ванночка для льда

Ванночку для льда заполните на $\frac{3}{4}$ питьевой водой и поместите в морозильное отделение.

Примерзшую ванночку для льда отделять только тупым предметом (ручкой ложки).

Для извлечения кубиков льда, ванночку немного подержать под проточной водой или слегка изогнуть.

Наклейка «ОК»

(не для всех моделей)

С помощью наклейки «ОК» можно проверить, достигаются ли в холодильном отделении рекомендуемые для сохранности продуктов диапазоны температур не выше +4 °С. Если наклейка не показывает «ОК», то температуру следует постепенно снизить.

Указание

После ввода прибора в эксплуатацию может пройти до 12 часов, пока температура достигнет заданного уровня.



Правильная установка

Выключение прибора и вывод его из эксплуатации

Выключение бытового прибора

Рисунок 1

Нажмите кнопку включения/выключения 11. Холодильный агрегат и освещение выключаются.

Вывод прибора из эксплуатации

Если Вы не будете пользоваться прибором в течение продолжительного времени:

1. Выключите прибор.
2. Извлеките вилку из розетки или выключите предохранитель.
3. Проведите чистку прибора.
4. Оставьте дверцу прибора открытой.

Размораживание

Холодильное отделение

Размораживание проводится автоматически.

Талая вода сливается через дренажное отверстие в испарительный поддон, который расположен на задней стенке холодильника.

Морозильное отделение

Благодаря полностью автоматической системе «NoFrost» внутри морозильного отделения лед не образуется. В размораживании отделения больше нет необходимости.

Чистка прибора



Внимание

- Не использовать средства для чистки и растворители, содержащие песок, хлорид или кислоты.
- Не использовать абразивные и царапающие губки.
На металлических поверхностях может появиться коррозия.
- Никогда не мыть полки и контейнеры в посудомоечной машине.
Детали могут деформироваться!

Используемая для протирки вода не должна попадать

- В прорези, имеющиеся в передней части дна морозильного отделения,
- элементы управления,
- в систему освещения.

Выполните следующие действия:

1. Выключайте прибор перед чисткой.
2. Извлеките вилку из розетки или выключить предохранитель.
3. Извлеките замороженные продукты и положите их в прохладное место. Аккумулятор холода (если таковой имеется в комплекте поставки) положить сверху на продукты.
4. Подождать, пока слой инея не растает.
5. Для чистки прибора пользуйтесь мягкой тряпочкой и теплой водой с небольшим количеством моющего средства с нейтральным pH. Не допускать попадания моющей воды в систему освещения.
6. Уплотнитель дверцы протереть только чистой водой и затем тщательно вытереть насухо.
7. После чистки: снова подключите прибор к электросети и включите его.
8. Загрузить обратно замороженные продукты.

Специальное оснащение

Для чистки все передвижные элементы прибора вынимаются.

Извлечение стеклянных полок

Потяните стеклянные полки к себе и извлеките.

Освещение (на светодиодах)

Ваш холодильник оснащен системой освещения на светодиодах, которая не нуждается в техобслуживании.

Ремонт освещения данного типа должен проводиться лишь силами специалистов уполномоченного сервисного центра или квалифицированными специалистами, имеющими на это разрешение.

Как сэкономить электроэнергию

- Бытовой прибор следует установить в сухом, хорошо проветриваемом помещении! Он не должен стоять на солнце или поблизости от источника тепла (например, радиатора отопления, электроплиты).
При необходимости воспользуйтесь плитой из изолирующего материала.
- Теплые продукты и напитки перед размещением в приборе следует охладить.
- Замороженные продукты поместите для размораживания в холодильное отделение, чтобы использовать холод замороженных продуктов для охлаждения продуктов.
- Закрывайте двери прибора как можно быстрее.
- В целях предупреждения повышенного расхода электроэнергии заднюю стенку бытового прибора следует чистить время от времени.

- При наличии:
Установите дистанцирующий элемент для соблюдения расстояния от стенки, чтобы обеспечить указанное потребление электроэнергии прибора (смотрите инструкцию по монтажу). Недостаточное расстояние от стенки не ограничивает функциональность прибора. Потребление электроэнергии может в таком случае незначительно повыситься. Расстояние не должно превышать 75 мм.
- Порядок размещения элементов оснащения не влияет на потребление электроэнергии прибором.

Рабочие шумы

Обычные шумы

Гудение

Работают двигатели (напр., холодильные агрегаты, вентилятор).

Бульканье или жужжание

Хладагент течет по трубам.

Щелчки

Включаются или выключаются двигатель, выключатель или магнитные клапаны.

Потрескивание

Происходит автоматическое размораживание.

Как избежать посторонних шумов

Холодильник стоит неровно

Выровняйте, пожалуйста, холодильник с помощью ватерпаса. Отрегулируйте по высоте винтовые ножки холодильника или подложите что-нибудь под него.

Холодильник «зажат»

Отодвиньте, пожалуйста, холодильник от стоящей рядом мебели или других бытовых приборов.

Шатающиеся или заклинившие боксы или полки

Проверьте, пожалуйста, как установлены съемные детали и, при необходимости, расположите их правильно.

Бутылки или прочие емкости прикасаются друг к другу

Немного отодвиньте, пожалуйста, бутылки или емкости друг от друга.

Самостоятельное устранение мелких неисправностей

Прежде чем вызвать Службу сервиса:

проверьте, не сможете ли Вы устранить неполадки самостоятельно с помощью приведенных ниже рекомендаций.

Вам придется оплачивать вызов специалистов Службы сервиса для консультации самостоятельно – даже во время гарантийного периода!

Неисправность	Возможная причина	Устранение
Фактическое значение температуры сильно отличается от установленного.		<p>В некоторых случаях достаточно выключить холодильник на 5 минут.</p> <p>Если температура слишком высокая, то проверьте через несколько часов, не приблизилось ли фактическое значение температуры к заданному.</p> <p>Если температура слишком низкая, то проверьте ее на следующий день еще раз.</p>
Дисплей показывает «E..».	Электроника установила ошибку.	Обратитесь в Службу сервиса.

Неисправность	Возможная причина	Устранение
<p>Прозвучит предупредительный сигнал.</p> <p>На дисплее индикации температуры, рисунок 2/1, мигает «AL» и выведено сообщение «alarm».</p>	<p>Неисправность: в морозильном отделении «слишком тепло»!</p>	<p>Для выключения предупредительного сигнала нажмите на кнопку «alarm» 9. Индикация температуры 1 прекращает мигать.</p> <p>Индикация температуры 1 показывает в течение 10 секунд значение самой высокой температуры, которая устанавливалась в морозильном отделении.</p>
<p>Продукты могут растаять</p>		<p>Указание</p> <p>Подтаявшие и полностью растаявшие продукты можно снова заморозить, если мясо и рыба находились при температуре выше +3 °С не дольше одного дня, а прочие продукты питания не дольше трех дней.</p> <p>Если вкус, запах и внешний вид продуктов остались без изменений, то из этих продуктов можно приготовить какие-либо блюда и затем снова заморозить их.</p> <p>Но готовые блюда нельзя хранить так долго, как свежие продукты.</p>
<p>Бытовой прибор открыт.</p>		<p>Закройте бытовой прибор.</p>
<p>Закрыты вентиляционные отверстия прибора.</p>		<p>Обеспечьте надлежащую вентиляцию прибора.</p>
<p>За один раз было загружено слишком большое количество свежих продуктов питания, предназначенных для замораживания.</p>		<p>Загружайте морозильное отделение с учетом макс. производительности замораживания.</p>
<p>Освещение не функционирует.</p>	<p>Система освещения на светодиодах вышла из строя.</p>	<p>Смотрите раздел «Освещение (на светодиодах)».</p>
	<p>Бытовой прибор оставался слишком долгое время открытым.</p>	<p>После открытия и закрытия дверцы прибора освещение включается снова.</p>
	<p>Освещение отключится спустя ок. 10 минут.</p>	

Неисправность	Возможная причина	Устранение
Пониженная яркость освещения элементов управления.	Если прибором некоторое время не пользовались, то дисплей панели управления переключается в режим экономии энергии.	Как только бытовым прибором снова начинают пользоваться, например, открывают его дверцу, дисплей снова переходит на нормальное освещение.
Не горит ни один из индикаторов.	Отключили электроэнергию; сработал предохранитель; вилка «болтается» в розетке.	Подключите штепсельную вилку к сети. Посмотрите, есть ли напряжение в электросети, проверьте предохранители.
В морозильном отделении слишком высокая температура.	Слишком часто открывались дверцы бытового прибора.	Не открывайте бытовой прибор без надобности.
	Закреты вентиляционные отверстия.	Уберите мешающие предметы.
	Замораживание слишком большого количества свежих продуктов питания.	Загружайте морозильное отделение с учетом макс. производительности замораживания.
Дверца морозильного отделения была слишком долго открытой; установленная температура больше не достигается.	Испаритель (производитель холода) в системе «NoFrost» слишком сильно обледенел, из-за чего он больше не может оттаивать полностью автоматически.	<p>На время размораживания испарителя необходимо извлечь замороженные продукты вместе с ящиками и положить их на хранение в прохладное место, позаботившись об их хорошей теплоизоляции.</p> <p>Выключите холодильник и отодвиньте его от стены. Оставьте дверцу прибора открытой. Примерно через 20 минут талая вода начнет стекать в поддон для испарения, расположенный на задней стенке холодильника. Рисунок 9</p> <p>Во избежание переливания талой воды через край поддона испарителя следует несколько раз собрать излишки воды с помощью губки.</p> <p>Когда вода перестает стекать в поддон, испаритель оттаял. Проведите чистку бытового прибора изнутри. Введите холодильник в эксплуатацию.</p>

Сервисная служба

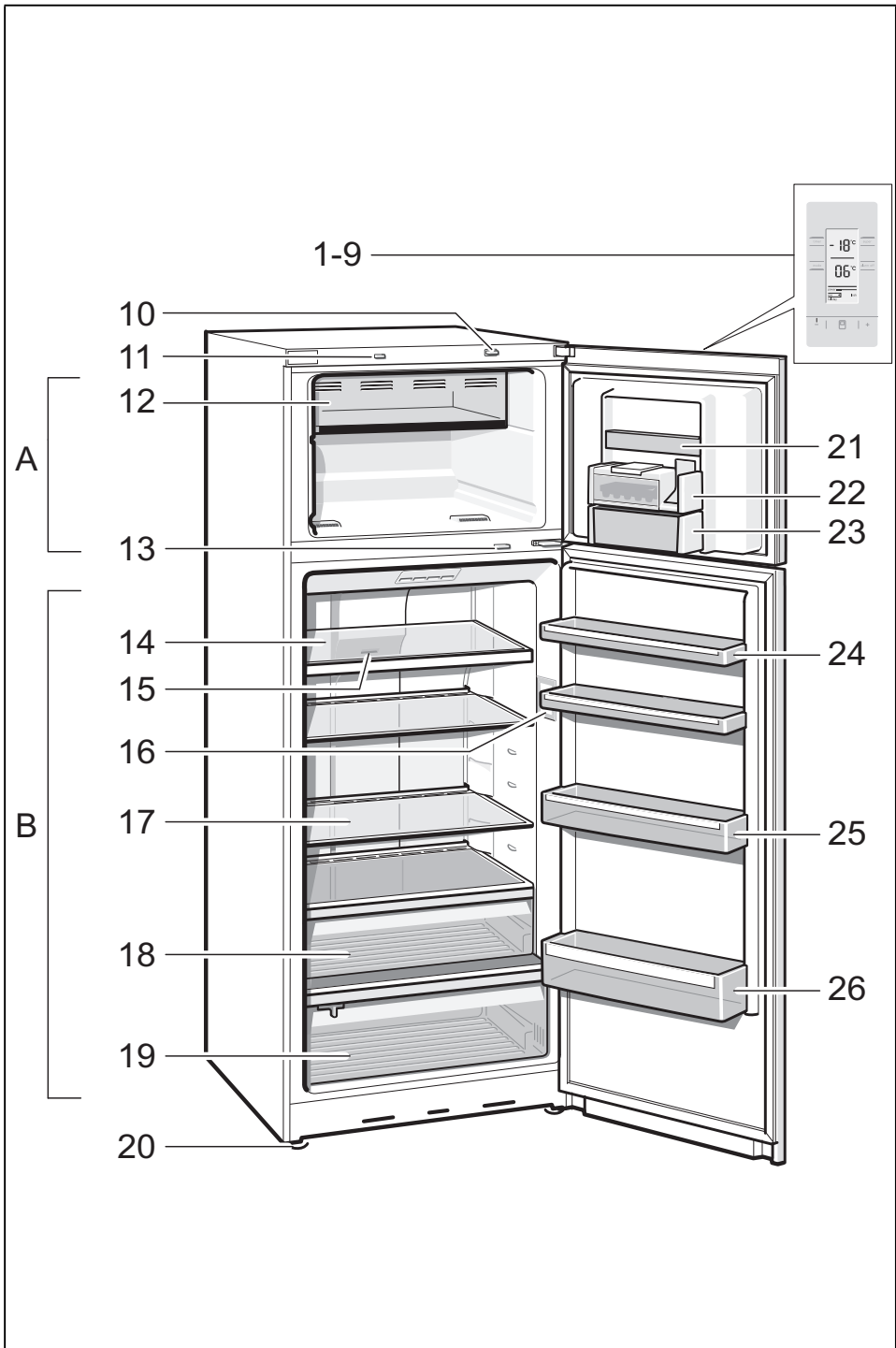
Ближайшую сервисную службу Вы найдете в телефонном справочнике или в списке сервисных служб. При обращении в сервисную службу укажите номер изделия (E-Nr.) и заводской номер (FD-Nr.) прибора.

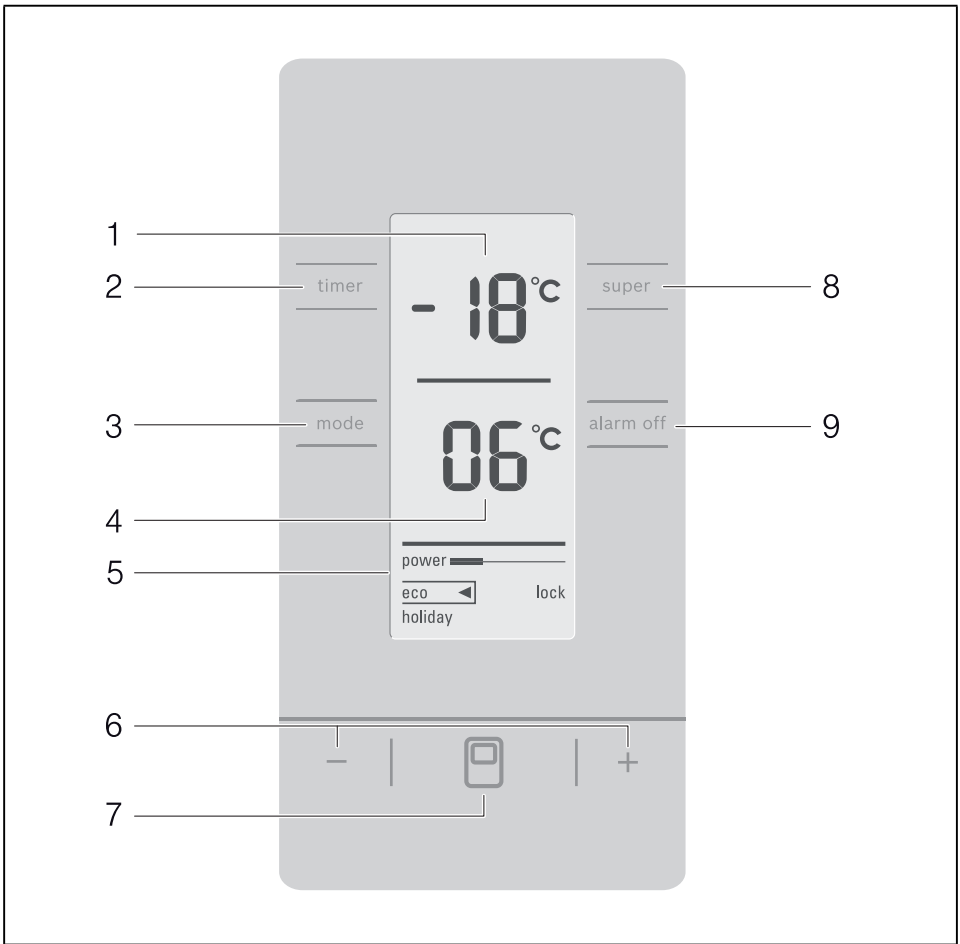
Эти данные Вы найдете на типовой табличке. Рисунок **10**

Помогите, пожалуйста, избежать ненужных выездов специалистов, правильно указав заводской номер и номер изделия. Тем самым Вы сэкономите связанные с этим дополнительные расходы.

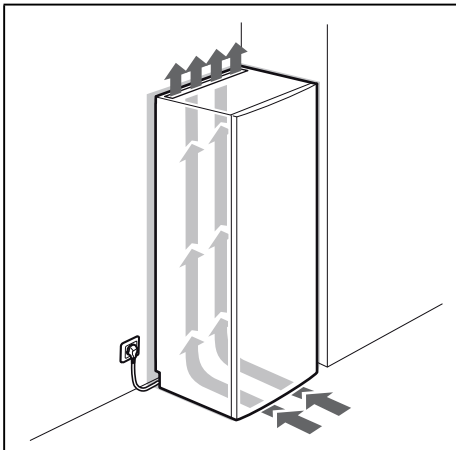
Заявка на ремонт и консультация при неполадках

Контактные данные всех стран Вы найдёте в приложенном списке сервисных центров.

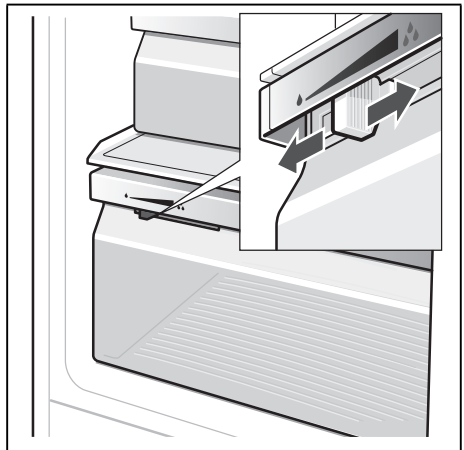




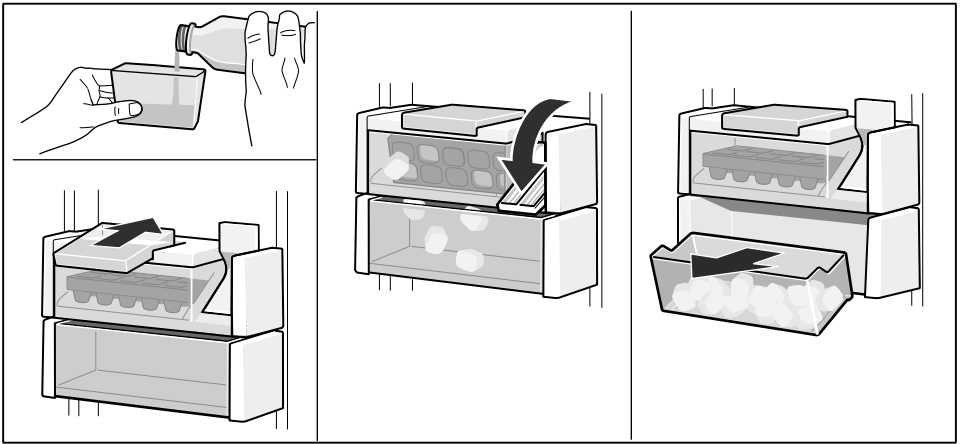
2



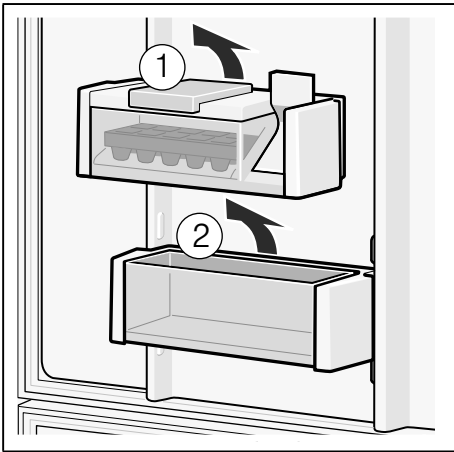
3



4



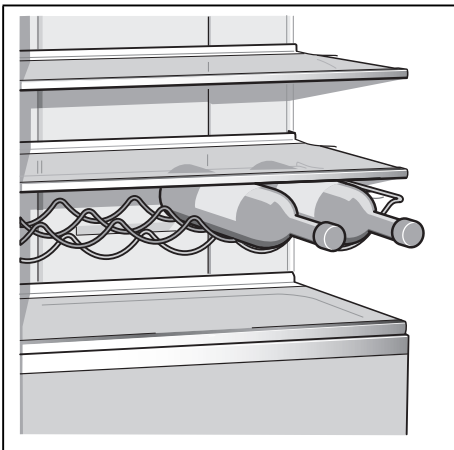
5



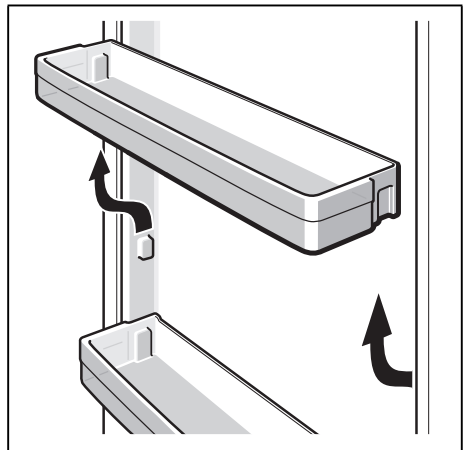
6



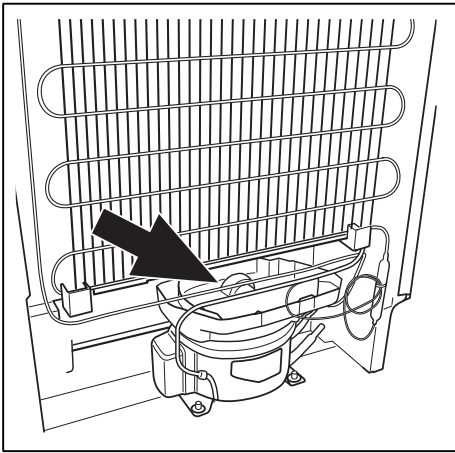
7/A



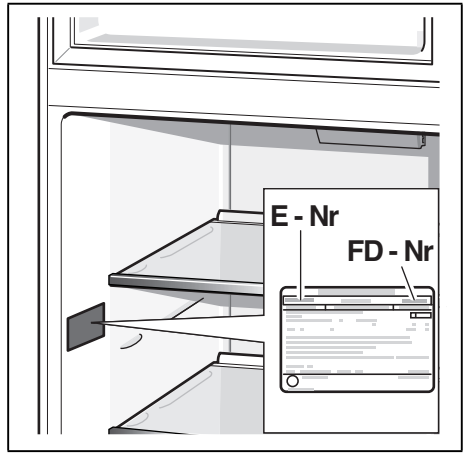
7/B



8



9



10

Robert Bosch Hausgeräte GmbH

Carl-Wery-Straße 34

81739 München, GERMANY

www.bosch-home.com



8001059284 (9512)

en, ru, tr