



Register your new Bosch now:
www.bosch-home.com/welcome



BCH7



BOSCH

| | |
|--|-----------|
| Intended use | 5 |
| Safety information | 6 |
| Proper use | 7 |
| Your vacuum cleaner | 10 |
| Before using for the first time | 12 |
| Plugging the handle onto the main housing | 12 |
| Plugging the appliance into the floor tool | 12 |
| Charging | 13 |
| Charging the battery | 13 |
| Battery charging status indicator | 14 |
| Vacuuming | 14 |
| Switch On/Off | 14 |
| Controlling the suction level | 15 |
| Transport | 16 |
| Vacuuming with accessories | 16 |
| Switching off the appliance | 18 |
| When the work is done | 19 |
| Parking | 19 |
| Switching off the appliance | 19 |
| Emptying the dust container | 20 |
| Removing the dust container | 21 |
| Taking out the filter unit | 22 |
| Inserting the dust container | 23 |
| Disassembly | 24 |
| Releasing the handle | 24 |
| Releasing the floor tool | 24 |

Filter care 25

 Sensor Control 25

 Cleaning the outer filter unit 26

 Cleaning the filter cartridge or changing the filter . . . 28

Cleaning the floor tool 29

 Cleaning the floor tool 29

Care 30

Malfunctions and Customer Service 31

Disposal 33

Conditions of guarantee 34

Safety information

Please keep this instruction manual for future reference. When passing the vacuum cleaner on to a third party, please also pass on this instruction manual.

Intended use

This appliance is intended for domestic use only, not for commercial use. Only use this vacuum cleaner in accordance with the information provided in this instruction manual.

In order to prevent injuries and damage, the vacuum cleaner must not be used for:

- Vacuuming persons or animals
- Vacuuming up:
 - hazardous, sharp-edged, hot or glowing substances.
 - damp or liquid substances.
 - highly flammable or explosive substances and gases.
 - ash, soot from tiled stoves and central heating systems.
 - toner dust from printers and copiers.

Safety information

This vacuum cleaner complies with the recognised rules of technology and the relevant safety regulations.

- The appliance may be used by children over the age of 8 years and by persons with reduced physical, sensory or mental capacity or by persons with a lack of experience or knowledge if they are supervised or have been instructed on the safe use of the appliance and they have understood the potential dangers of using the appliance.
- Children must never play with the appliance.
- Cleaning and user maintenance must never be carried out by children without supervision.
- Plastic bags and films must be kept out of the reach of children and disposed of.
=>There is a risk of suffocation.

Proper use

- The charging cable must only be connected and operated as specified on the rating plate.
- The appliance must only be stored and charged indoors.
- Do not expose the appliance to temperatures below 0 °C or above 40 °C.
- Never vacuum without the dust bag or dust container, motor protection or exhaust filter.
- This may damage the vacuum cleaner.
- Keep the vacuum cleaner away from your head when using nozzles and tubes.
=> This could cause injury.
- Do not use a damaged charging cable. Replace it with an original charging cable.
- When disconnecting the charging cable from the mains, pull the plug itself to remove it; do not pull on the power cord.
- Do not pull the charging cable over sharp edges or allow it to become trapped.
- Before carrying out any work on the vacuum cleaner, switch off the appliance and disconnect it from the charging cable and the mains.
- Do not operate the vacuum cleaner if it is damaged.
- If a fault is detected, switch off the appliance and disconnect it from the charging cable and the mains.
- For safety reasons, only authorised after-sales service personnel are permitted to carry out repairs and fit replacement parts to the vacuum cleaner.

Safety information

- In the following cases, you must stop the appliance immediately and contact the after-sales service:
- If you have accidentally vacuumed up some liquid or liquid has entered the inside of the appliance;
- If the appliance has been dropped and damaged.
- Protect the vacuum cleaner from outside weather conditions, moisture and sources of heat.
- Do not pour flammable substances or substances containing alcohol onto the filters (dust bag, motor protection filter, exhaust filter, etc.).
- The vacuum cleaner is not suitable for use on construction sites.
=> Vacuuming up building rubble may damage the appliance.
- Switch off the appliance when it is not in use.

! Batteries

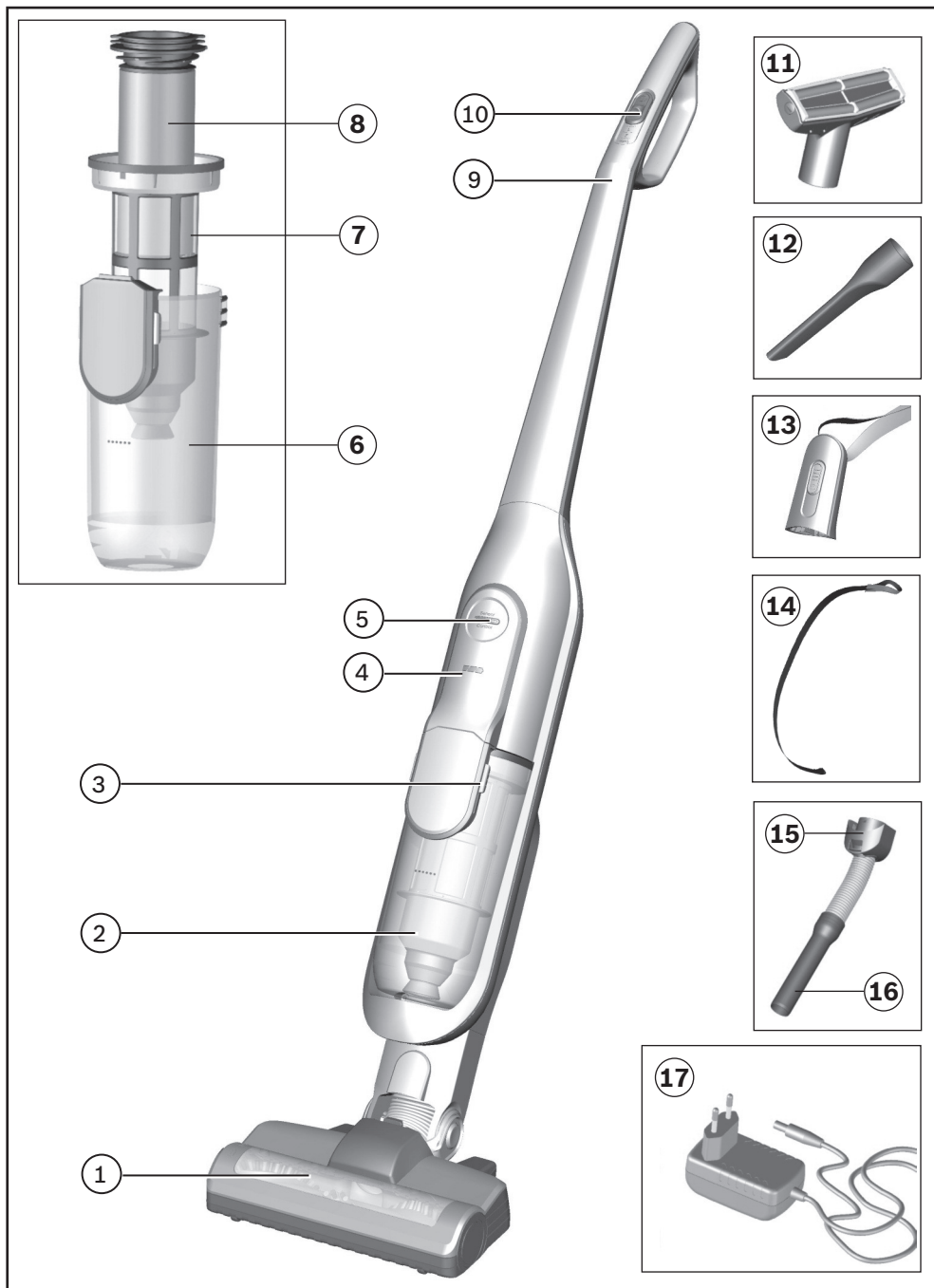
Your appliance is fitted with lithium-ion batteries which, for safety reasons, are only accessible to professional repair specialists.

For battery replacement, please contact your nearest after-sales centre or an authorised specialist dealer.

Notes on transport

The lithium-ion batteries in the appliance are subject to the requirements of dangerous goods legislation. The batteries can be transported by the user by road without any further requirements. In the event that they are dispatched by a third party (e.g. transported by air or freight carrier), special requirements regarding packaging and identification must be met. In this case, a dangerous goods expert must be consulted when preparing the goods for dispatch.

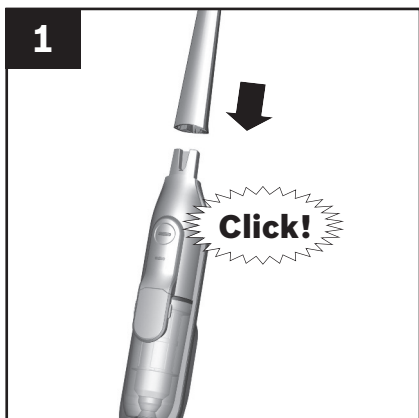
Your vacuum cleaner



Your vacuum cleaner

- ① Floor tool with electric brush
- ② Dust container
- ③ Dirt container release button
- ④ Battery charging status indicator
- ⑤ Sensor Control indicator
- ⑥ Dust container
- ⑦ Outer filter unit
- ⑧ Filter cartridge with motor protection filter and foam filter
- ⑨ Handle
- ⑩ On/off switch
- ⑪ Professional upholstery nozzle
- ⑫ Professional crevice nozzle
- ⑬ Short handle
- ⑭ Carrying strap
- ⑮ Accessory adapter
- ⑯ Flexible hose with handle
- ⑰ Charging cable

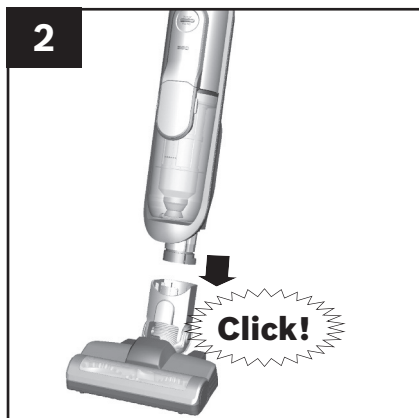
Before using for the first time



Plugging the handle onto the main housing

Figure 1

- Carefully plug the handle onto the main housing and lock into place.

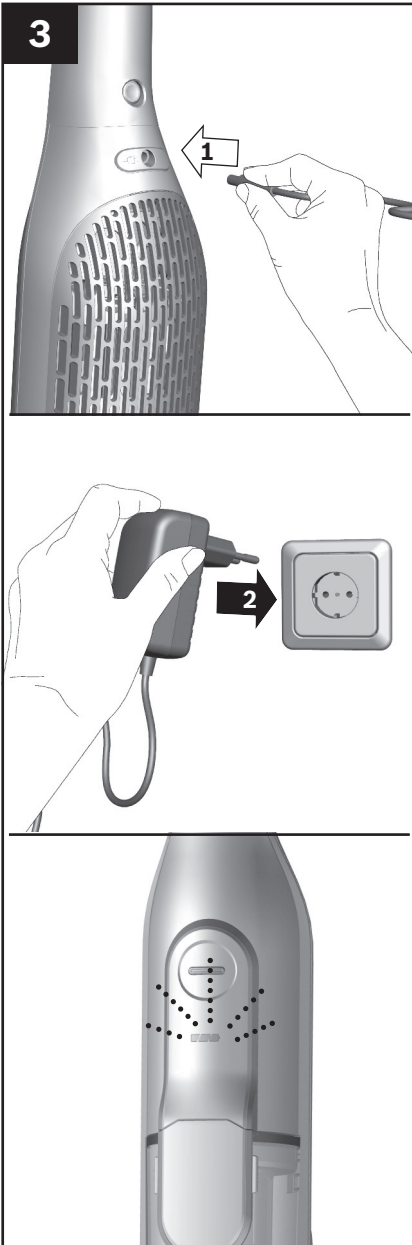


Plugging the appliance into the floor tool

Figure 2

- Plug the hand vacuum cleaner into the floor tool and lock into place.

Charging



Caution!

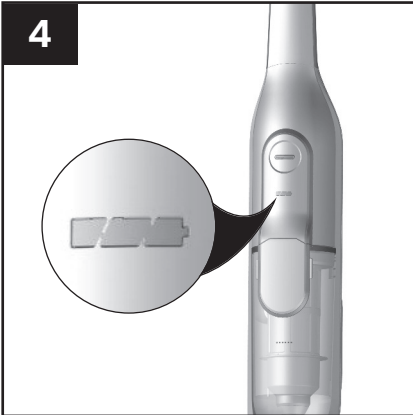
Before using the vacuum cleaner for the first time, the batteries must be charged for at least 6 hours.

Charging the battery

Figure 3

- To charge the vacuum cleaner, place it near to a socket. The appliance can be left standing anywhere in the room. **Figure 10**
- Plug the charging cable into the connection at the rear of the appliance.
- Plug the charging cable plug into the socket.
- The charging indicator flashes during the charging process.
- Once the battery is fully charged, the charging indicator lights up in blue and no longer flashes.
- It is normal for the charging cable and hand vacuum cleaner to become hot and not a cause for concern.

Charging



Battery charging status indicator

Figure 4

The indicator shows the charging status of the battery.

- Battery fully charged



- Battery semi-charged

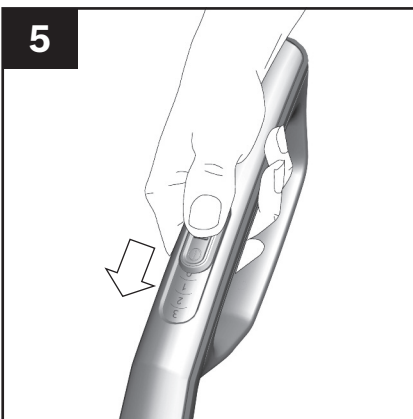


- Battery low



- When the indicator flashes, the battery must be recharged.

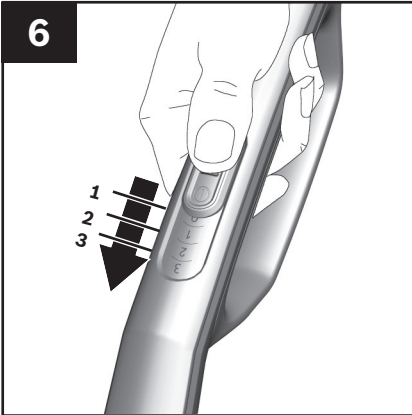
Vacuating



Switch On/Off

Figure 5

- Move the on/off button in the direction of the arrow.

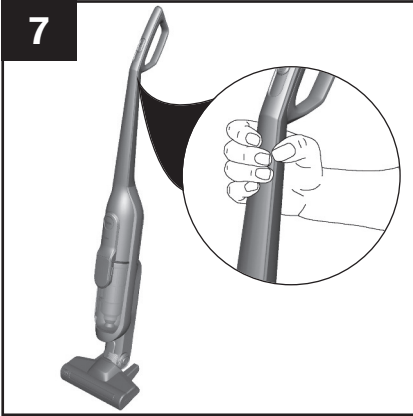


Controlling the suction level

Figure 6

- To change the suction power, slide the on/off switch to the desired position:
- **Power level 1** **1**
Vacuuming without the electric brush switched on.
For simple cleaning tasks like curtains and particularly low operating noise. Not suitable for carpets.
The appliance achieves the maximum run time at this level.
- **Power level 2** **2**
Vacuuming at normal power and with the electric brush switched on.
For normal cleaning tasks at an average run time.
- **Power level 3** **3**
Vacuuming at full power and with the electric brush switched on.
For particularly demanding cleaning tasks on all surfaces (carpets, in particular) and when using an optional accessory. The appliance achieves a shorter run time at this level.

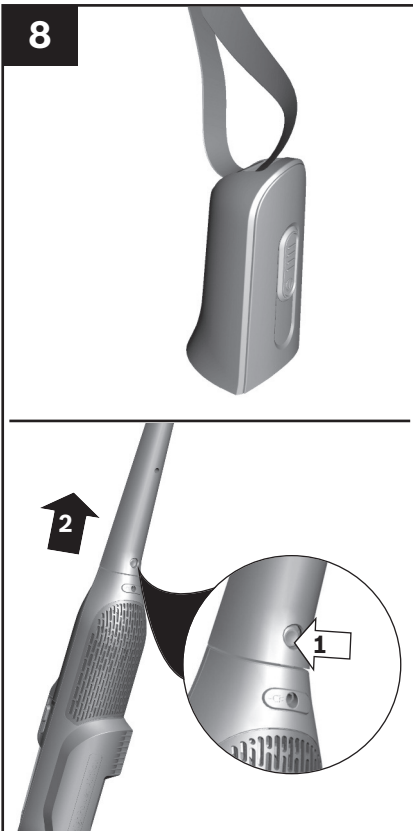
Vacuumping



Transport

Figure 7

- To overcome obstacles, e.g. steps, the appliance can also be carried by the handle on the appliance body.



Vacuumping with accessories

Attention!

For vacuuming with accessories slide the on/off switch to the highest level (level3)

Figure 8

- Fasten the carrying strap to the adapted short handle.
- Remove the long handle from the main housing.

Vacuumping

8

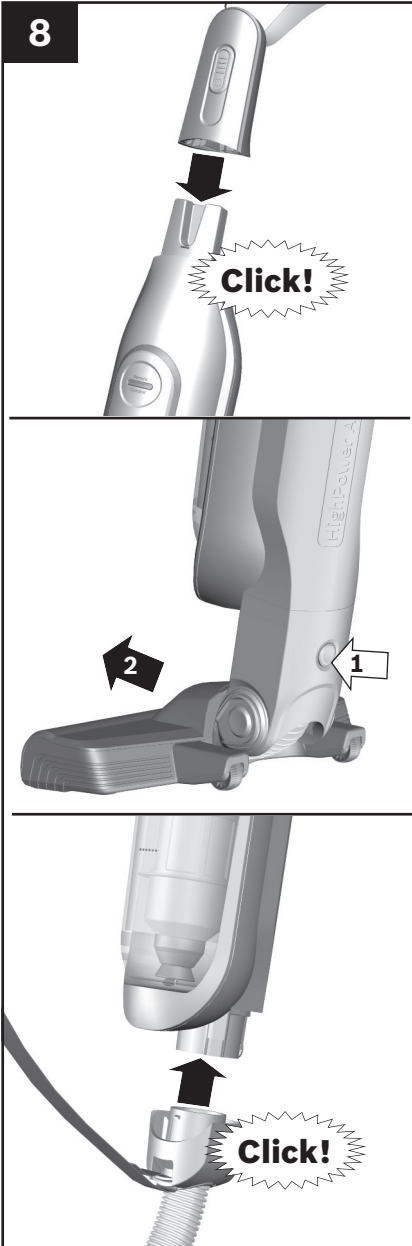


Figure 8

- Plug the short handle onto the main housing and lock into place
- Press the release button and pull down the floor tool.
- Plug the accessory adapter into the hand vacuum cleaner and lock into place.

Vacuuming

9

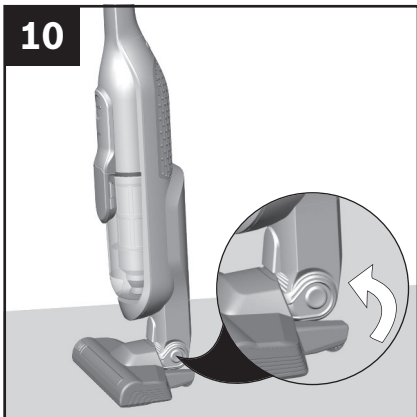


Figure 9

Fit nozzles as required to the flexible hose with the accessory adapter handle:

- Upholstery nozzle for vacuuming upholstered furniture, curtains, etc.
- Crevice nozzle for vacuuming crevices and corners, etc.
- Handle of the flexible hose to suck up bigger dirt particles or small pieces, like cullents, paper clips, etc.

When the work is done



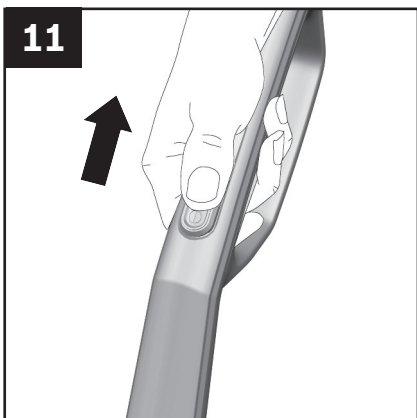
Parking

Figure 10

During short pauses in vacuuming, the appliance can be left standing anywhere in the room. To do this, tilt the vacuum cleaner forwards slightly in the direction of the nozzle.

Caution!

When the appliance is left standing, it must be switched off, because if the brush is turning while the appliance is standing still, it could cause damage to the floor covering.



Switching off the appliance

Figure 11

- Switch off the appliance after vacuuming.

12



Emptying the dust container

Figure 12

In order to achieve the best possible vacuuming results, the dust container should be emptied after every use or, at the latest, when dust at one point in the dust container has reached the marking.

We recommend that you not fill the dust container beyond the marking, as this leads to considerable soiling of the filter.

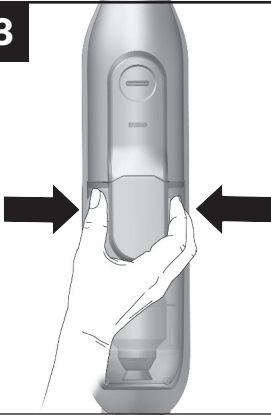
When emptying the dust container, always check how dirty the outer filter unit is and, if necessary, clean it as detailed in the "Cleaning the outer filter unit" instructions. **Figure 19**

Caution!

The filter can only be cleaned if the appliance is switched off. Never vacuum without the outer filter unit and its fitted filter cartridge.

When the work is done

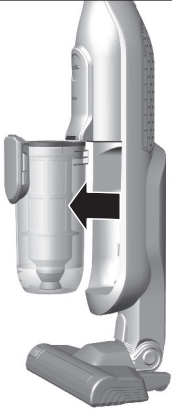
13



Removing the dust container

Figure 13

- Using the release button, unlock the dust container and remove it from the appliance.



When the work is done

14



Taking out the filter unit

Figure 14

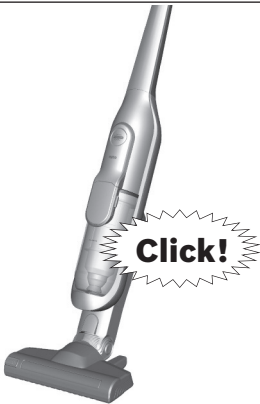
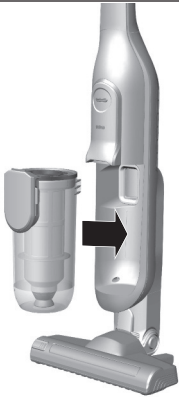
- Take the filter unit out of the dust container.



- Empty the dust container.

When the work is done

15



Inserting the dust container

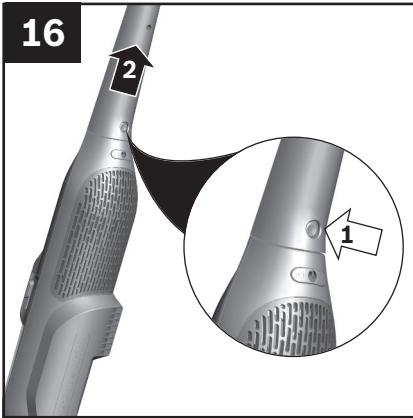
Figure 15

- Remove any dirt which may have been lodged underneath the container ejector opening.
- Insert the filter unit into the dust container, making sure it is correctly seated.
- Insert the dust container in the appliance, so that it 'clicks' audibly into place.

Caution!

If you notice any resistance when inserting the dust container, check that the filter is complete and that the filter unit and dust container are correctly seated.

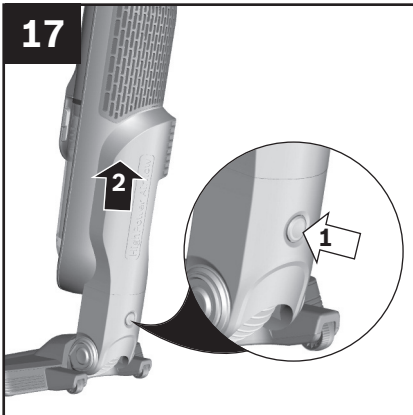
Disassembly



Releasing the handle

Figure 16

- To release the handle, press the release button and carefully lift the handle upwards to remove it.



Releasing the floor tool

Figure 17

- To release the floor tool, press the release button and pull the hand vacuum cleaner out of the tool.

18



Caution!

The filter can only be cleaned if the appliance is switched off.

Your appliance is equipped with a "Sensor Control" function.

This function constantly monitors whether your vacuum cleaner is working at its optimum power level. The indicator light lets you know when you need to clean the filter cartridge, so that the appliance can reach its optimum power level once more.

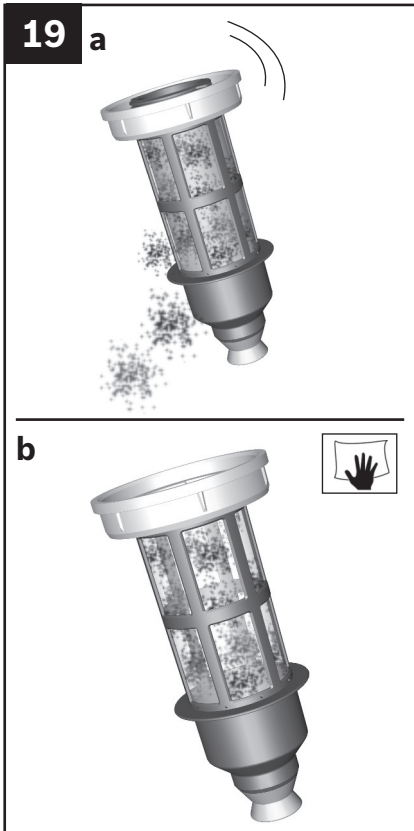
Sensor Control

Figure 18

The indicator lights up blue or is off when the appliance is working at its optimum level. Once the indicator turns red and flashes, the outer filter unit and filter cartridge must be cleaned.

The appliance is automatically adjusted to power level 1.

Filter care



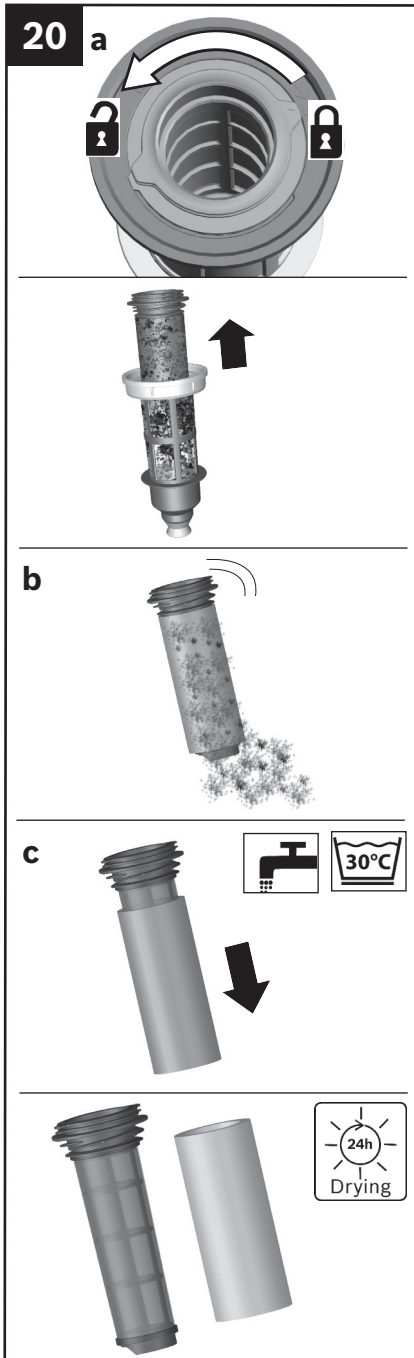
Cleaning the outer filter unit

Figure 19

The outer filter unit should be cleaned at regular intervals in order to ensure optimum operation of the vacuum cleaner.

- Please switch off the appliance to clean the outer filter unit.
- Remove the dust container from the appliance. **Figure 13**
- Take the filter unit out of the dust container. **Figure 14**
- Clean the outer filter unit.
 - a) It is usually sufficient to lightly shake or tap out the whole filter unit when the dust container is emptied in order to dislodge any particles of dirt.
 - b) If this is not sufficient, you can use a dry cloth to remove dirt particles from the surface.

Filter care



Cleaning the filter cartridge or changing the filter

Figure 20

- Switch off the appliance.
 - Remove the dust container from the appliance. **Figure 13**
 - Take the filter unit out of the dust container. **Figure 14**
- a)** Turn the filter cartridge lid anti-clockwise and remove the filter cartridge from the filter unit.
- b)** Firstly, clean the filter cartridge by tapping out the dirt.
- c)** Pull out the foam filter from the motor protection and rinse separately.

Allow the foam filter and motor protection filter to dry completely (approx. 24 hours)

Filter care

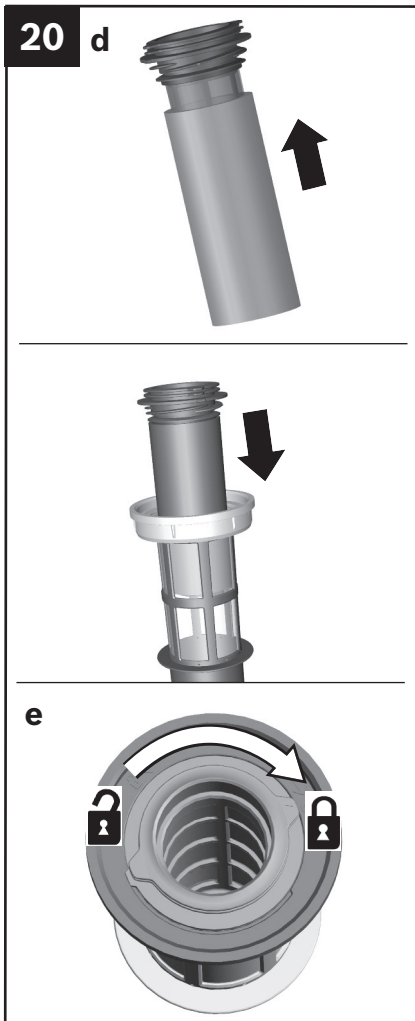


Figure 20

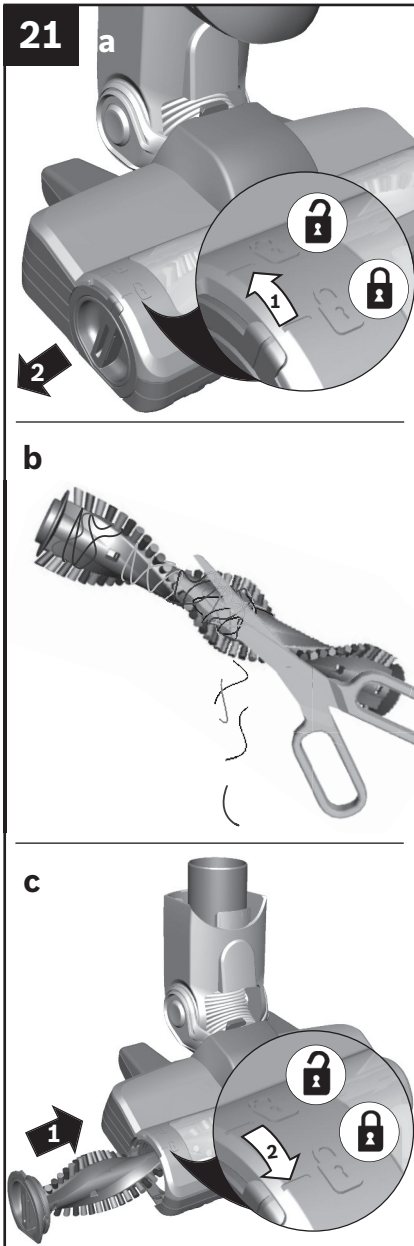
d) After fitting the foam filter, insert the filter cartridge into the dust container.

e) Insert the filter cartridge into the filter unit and lock it by turning the lid clockwise.

If, after hand-washing the filter cartridge, the "Sensor Control" indicator flashes red again, the filter cartridge is so heavily soiled that it must be washed in a washing machine. Use a gentle programme at max. 30 °C and the lowest spin speed.

New filters can be obtained from our after-sales service, if required.



Cleaning the floor tool



Cleaning the floor tool

Before carrying out any maintenance, switch off the vacuum cleaner and disconnect it from the charging cable.

Figure 21

- a) Turn the rotary brush anti-clockwise  to unlock it and pull it sideways out of the floor tool.
- b) Use scissors to cut through threads and hairs wound round the brush and then remove them.
- c) Slide the rotary brush in at the side of the floor tool and along the guide bar, and turn it clockwise  to lock it in place.

Caution!

The floor tool must only be put into operation with the brush roller fitted.

Care

Before cleaning the hand vacuum cleaner, it must be switched off and disconnected from the charging cable. The vacuum cleaner and plastic accessories can be cleaned with an ordinary plastic cleaner.



Do not use abrasive materials, glass-cleaning agents or all-purpose cleaning products. Never immerse the vacuum cleaner in water.

Subject to technical modifications.

Malfunctions and Customer Service

In the following cases, you must stop the appliance immediately and contact the after-sales service:

- If you have accidentally vacuumed up some liquid or liquid has entered the inside of the appliance;
- If the appliance has been dropped and damaged.

In these cases, the electrical safety of the appliance could no longer be guaranteed, even if no external damage is visible.

| Occurring malfunction | Corrective action |
|---|---|
| Electric brush does not work or makes unusual noises. | Clean brush, and remove foreign objects if necessary |
| | Check if the brush is correctly installed and locked in place |
| | If the problem persists, contact Customer Service |
| Brush switches off during suction | Switch off the appliance and check nozzle blockage. Remove blockage and clean the nozzle. |
| | On carpet choose next lower power level and start the cleaning process again. |
| | If the brush cannot be switched on, contact the Customer Service |

Malfunctions and Customer Service

GB Great Britain
BSH Home Appliances Ltd.
Grand Union House
Old Wolverton Road
Wolverton
Milton Keynes MK12 5PT

To arrange an engineer visit, to order spare parts and accessories
or for product advice please visit:

www.bosch-home.co.uk

or call

Tel.: 0344 892 8979*

*Calls are charged at the basic rate, please check with your telephone service
provider for exact charges

Information on disposal

▪ **Packaging**

The packaging is designed to protect the vacuum cleaner from being damaged during transportation. It is made of environmentally friendly materials and can therefore be recycled. Dispose of packaging that is no longer required at an appropriate recycling point.

▪ **Old appliances**

This appliance contains rechargeable lithium-ion batteries. The appliance must therefore only be disposed of by an authorised after-sales service or dealer.

▪ **Batteries**

Please follow the notes on transport.

Integrated batteries may only be removed by specialist personnel for the purpose of disposal. Opening the housing shell may damage the vacuum cleaner.

To remove the battery from the vacuum cleaner, press the on/off switch (Fig. 5) until the battery is fully discharged. Unscrew the screws on the housing and take off the housing shell to remove the battery.

To prevent a short circuit, disconnect the battery connections individually one after the other and then insulate the terminals.

Even in the case of complete discharge, the battery still contains a residual capacity that may be released in the event of a short circuit.

Conditions of guarantee

For this appliance the guarantee conditions as set out by our representatives in the country of sale apply. Details regarding same may be obtained from the dealer from whom the appliance was purchased. For claims under guarantee the sales receipt must be produced.

Bosch Home Appliance Group

P.O. Box 83 01 01

D-81701 Munich

Germany

www.bosch-home.com



8001035297