



Register your new Bosch now:
www.bosch-home.com/welcome



Freezer
Congélateur
Congelador
B18IF800SP



BOSCH

en Operating and installation
instructions
fr Notices d'utilisation et de
montage

es Instrucciones de uso y de
montaje

en Table of Contents	3
fr Table des matières	20
es Índice	38

en Table of Contents

Important Safety Instructions	4	Super Freezing	12
Definition	4	Switching On	12
WARNING: Before You Switch On the Appliance....	4	Switching Off	12
Technical Safety.....	4	Thawing Frozen Food	12
Important Information When Using the Appliance ...	4	Ice Maker.....	12
Children in the Household.....	4	Switching On.....	12
General Regulations	4	Switching Off.....	12
State of California Proposition 65 Warnings.....	5	Water Filter	13
Information Concerning Disposal.....	5	Important Information Concerning the Water Filter	13
♻ Disposal of Packaging.....	5	Exchanging the Filter Cartridge.....	13
♻ Disposal of Your Old Appliance.....	5	Specification and Performance Data Sheet.....	14
Installing the Appliance.....	5	Interior Fittings.....	15
Transporting	5	Removing the Shelves	15
Installation Location	5	Containers in the Freezer Compartment	15
Ventilation	5	Switching Off and Disconnecting the Appliance.....	15
Scope of Delivery	5	Switching the Appliance Off.....	15
Connecting the Appliance	6	Disconnecting the Appliance	15
Water Connection.....	6	Defrosting	16
Electrical Connection.....	6	Cleaning the Appliance	16
Getting to Know Your Appliance.....	7	Proceed as Follows	16
Controls	8	Interior Fittings	16
Switching the Appliance On.....	9	Light (LED)	16
Operating Tips	9	Tips for Saving Energy.....	16
Setting the Language	9	Operating Noises	16
Setting the Temperature Unit.....	9	Normal Noises	16
Setting the Temperature	9	Preventing Noises	16
Freezer Compartment.....	9	Before Calling for Service	17
Special Functions.....	9	Appliance.....	17
Setup Mode	9	Ice Maker.....	17
Vacation Mode.....	10	Customer Service	19
Sabbath Mode	10		
Energy Saving Mode	10		
Alarm Function	11		
Door Alarm	11		
Temperature Alarm	11		
Switching Off the Alarm.....	11		
Freezer Compartment	11		
Using the Freezer Compartment	11		
Freezing and Storing Food.....	11		
Purchasing Frozen Food.....	11		
Freezing Fresh Food	11		
Packing Frozen Food	11		
Shelf Life of Frozen Food.....	12		



Important Safety Instructions

READ AND SAVE THESE INSTRUCTIONS!

Definition



WARNING:

This indicates that death or serious injury may result due to non-observance of this warning.



CAUTION:

This indicates that minor or moderately severe injury may result due to non-observance of this warning.

WARNING: Before you Switch On the Appliance

Please read the instructions for use and installation carefully. They contain important information on how to install, use and maintain the appliance.

The manufacturer is not liable if you disregard the instructions and warnings in the operating instructions. Retain all documents for later use or for the subsequent owner.

Technical Safety

If the power cord of this appliance is damaged, it must be replaced by the manufacturer, customer service or a similarly qualified person. Improper installations and repairs may put the user at considerable risk.

Repairs may be performed by the manufacturer, customer service or a similarly qualified person only. Only original parts supplied by the manufacturer may be used. The manufacturer guarantees that only these parts satisfy the safety requirements.

Do not use multiple outlets, extension leads or adapters.

The appliance comes with a UL registered 3-wire power cord.

Never sever or remove the third (earth) conductor from the power cord.

The appliance requires a 3-pole socket. The socket may be connected by an electrician only.

Where there is a 2-pole standard wall socket, it is the personal responsibility of the customer to have this socket replaced with a correctly grounded 3-pole wall socket. Do not use any adapter plugs.

Important Information When Using the Appliance

- Never use electrical appliances inside the appliance (e.g. heater, electric ice maker, etc.). **Explosion hazard!**
- Never defrost or clean the appliance with a steam cleaner! The steam may penetrate electrical parts and cause a short-circuit.
Risk of electric shock!
- Do not use pointed or sharp-edged implements to remove frost or layers of ice. You could damage the

refrigerant tubes. Leaking refrigerant may cause eye injuries or ignite.

- Do not store products which contain flammable propellants (e.g. spray cans) or explosive substances in the appliance.
Explosion hazard!
- Do not stand on or lean heavily against base of appliance, drawers or doors, etc.
- For defrosting and cleaning, pull the power cord plug out or switch off the fuse. Do not pull out the power cord plug by tugging on the power cord.
- Store high-percentage alcohol tightly closed and standing up.
- Keep plastic parts and the door seal free of oil and grease. Otherwise, parts and door seal will become porous.
- Never cover or block the ventilation openings for the appliance.
- **Avoiding placing children and vulnerable people at risk:**
At risk are children, people who have limited physical, mental or sensory abilities, as well as people who have inadequate knowledge concerning safe operation of the appliance.
Ensure that children and vulnerable people have understood the hazards.
A person responsible for safety must supervise or instruct children and vulnerable people who are using the appliance.
Only children from 8 years and above may use the appliance.
Supervise children who are cleaning and maintaining the appliance.
Never allow children to play with the appliance.

Children in the Household

- Keep children away from the packaging and its parts.
Danger of suffocation from collapsible boxes and foil!
- Do not allow children to play with the appliance!
- If the appliance features a lock:
Keep the key out of the reach of children!

General Provisions

The appliance is suitable

- for freezing food,
- for making ice,
- for dispensing drinking water.

This appliance is intended for use in the home and the home environment.

The refrigeration circuit has been checked for leaks.

This appliance is intended for use at an elevation of no more than 2000 meters above sea level.

State of California Proposition 65 Warnings



WARNING:

This product contains chemicals known to the State of California to cause cancer, birth defects or other reproductive harm.

Information Concerning Disposal

Disposal of Packaging

The packaging protects your appliance from damage during transit. All utilized materials are environmentally safe and recyclable. Please help us by disposing the packaging in an environmentally friendly manner.

Please ask your dealer or inquire at your local authority about current means of disposal.

Disposal of Your Old Appliance

Old appliances are not worthless trash! Valuable raw materials can be reclaimed by recycling.



WARNING:

1. Pull out the Power Plug.
2. Cut Off the Power Cord and discard with the Power Plug.
3. Do not take out the trays and shelves. This helps to prevent children from climbing in!
4. Do not allow children to play with the appliance once it has spent its useful life.

Could cause suffocation!

Refrigerators contain refrigerant and gases in the insulation. Refrigerant and gases must be disposed of professionally. Ensure that tubing of the refrigerant circuit is not damaged prior to proper disposal.

Installing the Appliance

Have a technician install and connect the appliance according to the enclosed Installation Instructions.



WARNING:

Do not install the appliance:

- outdoors,
- in an environment subject to drips of water,
- in rooms with risk of frost.

Transporting

The appliances are heavy and must be secured during transportation and installation.

Because of the weight/dimensions of the appliance and to minimize the risk of injuries and damage to the appliance at least two people are necessary to set-up the appliance securely.

Installation Location

A dry, well-ventilated room is suitable as an installation location. The installation location should not be exposed to direct sunlight or placed near a heat source, e.g. a cooker, radiator, etc. If installation next to a heat source is unavoidable, use a suitable insulating plate or observe the following minimum distances from the heat source:

- 1.2" (3 cm) to electric or gas cookers.
- 12" (30 cm) to an oil or coal-fired cooker.

The floor of the installation location must not give way; if required, reinforce floor. To ensure that the Ice Maker functions correctly, the appliance must be upright.

Ventilation

The refrigeration unit is ventilated only via the ventilation grille in the base. Never cover the ventilation grille or place anything in front of it. Otherwise the refrigeration unit must work harder, increasing the power consumption.

Scope of Delivery

After unpacking all parts, check for any damage in transit.

If you have any complaints, please contact the dealer from whom you purchased the appliance or our Customer Service department.

The following parts are included:

- Built-in appliance
- Interior fittings (depending on model)
- Bag containing installation materials
- Operating Instructions
- Installation Instructions
- Customer Service Booklet
- Warranty enclosure
- Information on the energy consumption and noises

Connecting the Appliance

Have a technician install and connect the appliance according to the enclosed Installation Instructions. Do not remove the transportation protection devices from the shelves and storage compartments until the appliance has been installed.

Always connect the water before the power.

Apart from statutory national regulations, you should comply with all applicable local electricity and water companies codes and requirements.

After installing the appliance, wait at least 1 hour before switching the appliance On. During transportation the oil in the compressor may have flowed into the refrigeration system.

Before switching the appliance On for the first time, clean the interior of the appliance (see chapter "Cleaning the Appliance").

Water Connection



CAUTION:

Connect the appliance to a drinking water line only:

- Minimum pressure: 0.2 MPa (2 bar)
- Maximum pressure: 0.8 MPa (8 bar)
- Pressure over 0.8 MPa (8 bar): install a pressure limiter between drinking water connection and hose set:

The water may be connected only by a competent fitter according to the local regulations of the appropriate Water Supply company.

A cold water connection is necessary for operating the automatic Ice Maker. The water pressure must be between 29 and 116 p.s.i. (2.0 and 8.0 bar). The installation must correspond to the local plumbing regulations.

Install a separate shut-off valve in the cold water supply line.

The Shut-Off-Valve should not be located behind the appliance. It is recommended that you mount the Shut-Off-Valve directly next to the appliance or at another place that is easily accessible.

When installing the water connection, observe the permitted installation areas for the water line.

For connection to the drinking water mains use only water pipes which are suitable for drinking water. Observe national regulations and the connection conditions of the local Water Supply companies.

Electrical Connection



WARNING:

Risk of electric shock

Connect the appliance to a grounded, 3-phase outlet only. Never remove the ground phase. Do not use any adapters. Do not use any extension leads.



WARNING:

Risk of electric shock

Incorrect connection of the appliance may result in death, fire or electric shock. Improper connection of the protective conductor may result in electric shock. If you are in doubt as to whether the appliance has been properly grounded, have it tested by a qualified electrician or Customer Service technician.



WARNING:

Risk of electric shock

If the length of the power cord is inadequate, never use multiple outlets or extension leads. Instead, please contact Customer Service for alternatives.

This appliance must be connected to a permanently installed outlet.

The outlet must be near the appliance and also freely accessible following installation of the appliance.

The appliance complies with protection class I. Connect it to a correctly installed outlet. Correct means: with a protective conductor, 110 V – 120 V/60 Hz alternating current. The outlet must be protected by a 10 A – 16 A fuse.

The appliance comes with a UL registered 3-wire power cord. The appliance requires a 3-pole outlet.

Please observe the following table with regard to this:

Appliance	Maximum Simultaneous Load
Freezer 18"	3.5 amps

Check on the rating plate whether the indicated voltage and current type match the values of your power supply. The position of the rating plate can be found in the chapter entitled „Customer Service“.



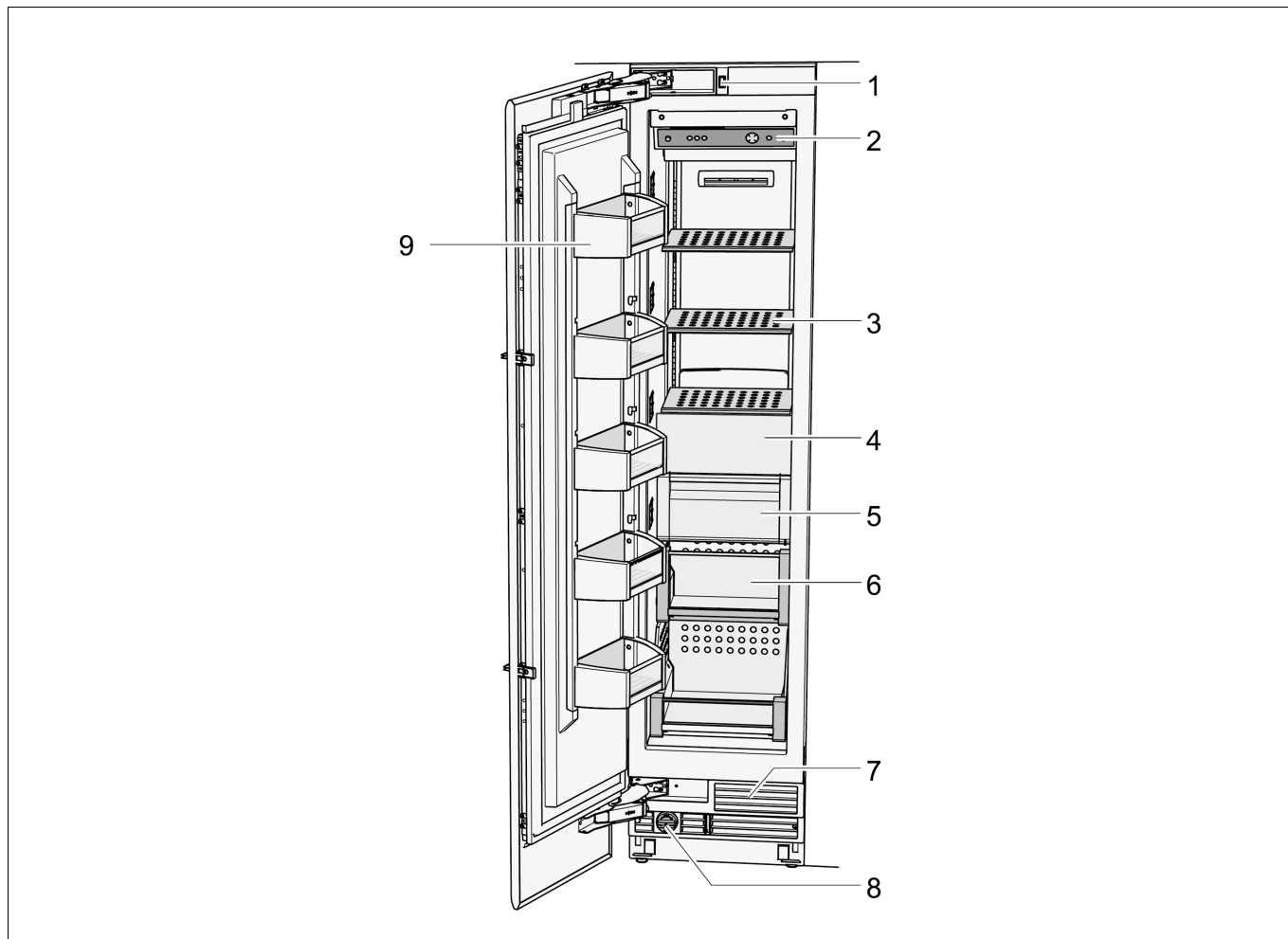
WARNING:

Never connect the appliance to electronic energy saving devices.

Our appliances can be used with mains and sine-controlled inverters. Mains-controlled inverters are used for photovoltaic systems which are connected directly to the national grid. Sine-controlled inverters must be used for isolated applications (e.g. on ships or in mountain lodges) which are not connected directly to the national grid.

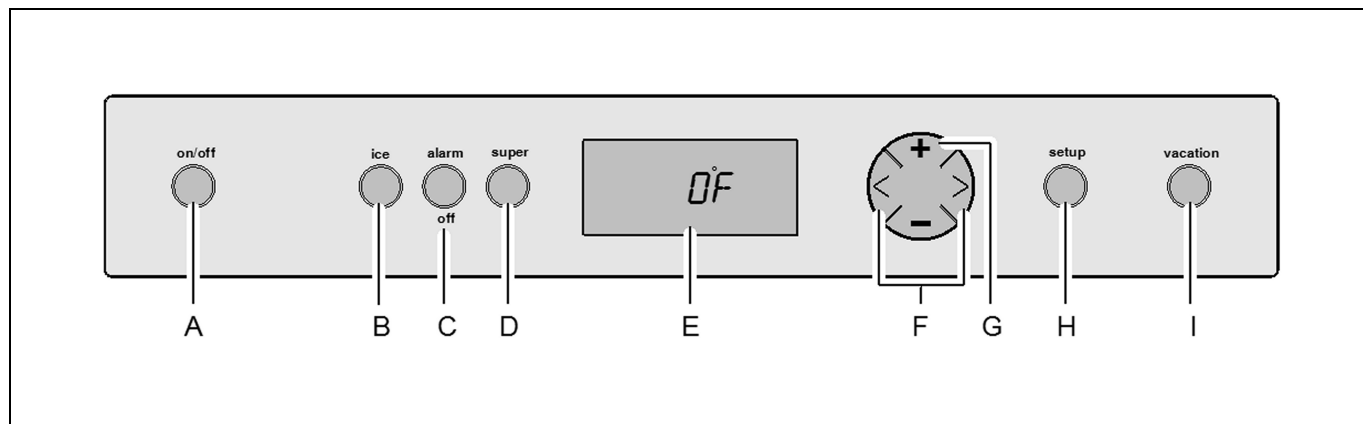
Getting to Know Your Appliance

These Operating Instructions refer to several models.
The diagrams may differ.



- 1 Light Switch
- 2 Controls
- 3 Glass shelves
- 4 Ice Maker
- 5 Ice Cube Container
- 6 Tray
- 7 Ventilation
- 8 Water Filter
- 9 Door Shelf

Controls

**A POWER Button**

Serves to switch the whole appliance On and Off.

B ICE Button

Serves to switch the Ice Maker On and Off. See chapter "Ice Maker".

C ALARM Button

Serves to switch the warning signal Off. See chapter "Alarm function".

D SUPER Button

Serves to switch the Super Freezing On and Off. See chapter "Super Freezing".

E Display Panel

The temperature in the Freezer Compartment is shown in the Display Panel. Activated special functions are shown via "symbol".

The menus and setting options which are available are represented on the Display Panel in the Setup Mode. See chapter "Special Functions".

F Selection Buttons < >

The temperature setting is activated using the Selection Buttons, see chapter "Setting the Temperature".

For selecting a menu in the Setup Mode, see chapter "Special Functions", section "Setup Mode".

G Setting Buttons + / -

The temperature can be changed using the Setting Buttons, see chapter "Setting the Temperature".

More settings can be selected in the Setup Mode, see chapter "Special Functions".

H SETUP Button

This button starts and ends the Setup Mode. If the Setup Mode is ended using the SETUP Button, the changes that have been made are stored.

I VACATION Button

This button is used to switch Vacation Mode On and Off, see chapter "Special Functions", section "Vacation Mode".

Note:

A sound can be heard every time a button is pushed if this function is selected in the "Sound" menu during the Setup Mode.

Symbols in the Display Field

Super Freezing is active (see chapter "Super Freezing").



Vacation Mode is active (see chapter "Special Functions").



For the setting options in the Setup Mode (see chapter "Special Functions").



A warning message is displayed (see chapter "Alarm function").



Ice Maker is switched on (see chapter "Ice Maker").



Signal to the Water Filter is displayed (see chapter "Water Filter").

Switching the Appliance On

Switch the appliance On with the **POWER** Button. The appliance begins to cool. Light turns on when the door is open.

⚠ CAUTION:

Keep hands and fingers away from front and rear openings of the freezer door or freezer drawer when closing. **Risk of injury to hands or fingers.**

Never allow children to climb on or play with the freezer door.

Operating Tips

- When the appliance has been switched on, it may take several hours until the set temperature is reached.
- The fully automatic No Frost system ensures that the Freezer Compartment remains free of ice. Defrosting is not required.

Setting the Language

The Display Languages can be changed according to the table in the chapter “Special Functions”, section “Setup Mode”.

To change the Display Language:

1. Press the **SETUP** Button.
2. Press the **<** or **>** Selection Button, until the set language is displayed.
3. Press the **+** or **-** Setting Button, until the desired language is displayed.
4. Press the **SETUP** Button, in order to store the settings.
The set temperature is displayed again on the Display Panel.

Setting the Temperature Unit

The temperature can be displayed in degrees Celsius (°C) or degrees Fahrenheit (°F).

1. Press the **SETUP** Button.
The first menu (Temperature Unit) is displayed.
2. Press the **+** or **-** Setting Button in order to switch between degrees Fahrenheit (°F) and degrees Celsius (°C).
3. Press the **SETUP** Button, in order to store the settings.
The set temperature is displayed again on the Display Panel.

Setting the Temperature

Freezer Compartment

(can be selected from +7 °F (-14 °C) to -9 °F (-23 °C))
We recommend a setting of 0 °F (-18 °C).

1. Press the **<** Selection Button.
2. Set the temperature with the **+** (warmer) or **-** (cooler) Setting Button.

Special Functions

The following Special Functions can be selected or displayed:

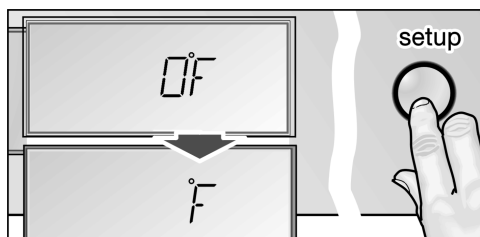
Setup Mode

In Setup Mode you can make your personal settings.

Switching On

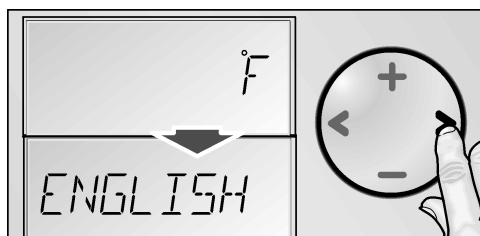
Press the **SETUP** Button.

The first menu (temperature unit) is displayed on the Display Panel.

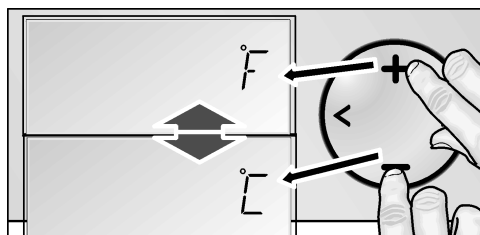


Making Settings

1. Switch on Setup Mode.
2. Press the **<** or **>** Selection Button.
The next menu is displayed and its current setting (mostly **ON** or **OFF**).



3. Press the **+** or **-** Setting Button.



4. Press the **<** or **>** Selection Button to save and move to the next menu.

Switching Off

Press the **SETUP** Button.

All of the changed settings are stored.

Note:

If no button is selected within 20 seconds, the Setup Mode ends automatically. All of the changed settings are stored. The set temperature is displayed again on the Display Panel.

Menus in the Setup Mode

The following settings can be made.

Menu	Possible setting
Temperature Unit	°C (degrees Celsius) °F (degrees Fahrenheit)
Language	English French Spanish
Sound	On Off
Energy Saving Mode (Eco Function)	On Off

Vacation Mode

If leaving the appliance for a long period of time, you can switch the appliance over to the energy-saving Vacation Mode.

When Vacation Mode is switched On, the following settings are made:

- The appliance operates in Energy-Saving Mode.
- The light is switched Off.
- The “Super Freezing” function is ended (if activated).

Switching On

Press the **VACATION** Button.

The “VACATION” symbol is displayed on the Display Panel.

Switching Off

Press the **VACATION** Button.

The previous settings and temperature values are restored.

Sabbath Mode

When Sabbath Mode is switched On, the following settings are switched Off:

- Ice Maker
- Acoustic Signal
- Interior Light
- Messages in the Display Panel
- The background illumination of the Display Panel is reduced
- Buttons are locked.

Switching On

1. Press and hold down the **SUPER** Button.
2. Press the **VACATION** Button.
3. Press the **SUPER** Button and hold down for a further 3 seconds.
The “VACATION” symbol flashes on the Display Panel and “SABBATH” is displayed.

Switching Off

Press the **VACATION** Button.

The previous settings and temperature values are once again activated.

Energy Saving Mode

If the Energy Saving Function (Eco Function) is activated, the appliance switches to the Energy Saving Operation. This Energy Saving Function is preset at the factory in order to reduce energy consumption. The background illumination of the Display Panel is likewise reduced.

Switching On

1. Press the **SETUP** Button.
2. Press the **➤** Selection Button, until “ECO MODE” and the current setting (**OFF**) is displayed.
3. Press the **+** Setting Button, in order to reset the setting.
4. Press the **SETUP** Button, in order to store the setting.
“ECO” is displayed on the Display Panel.

Switching Off

1. Press the **SETUP** Button.
2. Press the **➤** Selection Button, until “ECO MODE” and the current setting (**ON**) is displayed.
3. Press the **–** Setting Button, in order to reset the setting.
4. Press the **SETUP** Button, in order to store the setting.

Alarm Function

Door Alarm

The Door Alarm switches On if an appliance door is left open for longer than three minutes. Close the door to switch Off the Warning Signal.

Temperature Alarm

The Temperature Alarm switches On if the Freezer Compartment is too warm and the frozen food is at risk of thawing.

The set temperature of the Freezer Compartment flashes and "ALARM" is displayed on the display panel. When the **ALARM** button is pressed, the temperature display for the Freezer Compartment indicates for five seconds the warmest temperature reached in the Freezer Compartment.

Then this value is deleted. The temperature display for the Freezer Compartment indicates the set Freezer Compartment temperature without flashing.

Henceforth the "warmest temperature" will be redefined and saved.

The alarm display goes out as soon as the set temperature has been reached again.

The alarm may switch on without any risk to the frozen food:

- when the appliance is switched On,
- when large quantities of fresh food are placed in the appliance,
- if the Freezer Compartment Door is open too long.

Switching Off the Alarm

Press the **ALARM** button to switch Off the Warning Signal.

Freezer Compartment

WARNING:

Do not store explosive substances in the appliance. **Risk of explosion!**

CAUTION:

Do not refreeze thawing or thawed food. Before freezing the food, first boil or fry it. Never keep frozen food longer than the maximum storage duration.

Using the Freezer Compartment

- To store deep-frozen food.
- To freeze food.
- To make ice cubes.

Note:

Ensure that the Freezer Compartment door has been closed properly. If the door is open, the frozen food will thaw. The Freezer Compartment will become covered in thick ice. Also, energy is wasted due to high power consumption!

Freezing and Storing Food

Purchasing Frozen Food

- Packaging must not be damaged.
- Use by the "expiration" date.
- Temperature in the supermarket freezer must be 0 °F (-18 °C) or lower.
- If possible, transport deep-frozen food in an insulated bag and place immediately in the Freezer Compartment.

Freezing Fresh Food

Freeze fresh and undamaged food only.

To retain the best possible nutritional value, flavor and color, vegetables should be blanched before freezing. Eggplants, peppers, zucchini and asparagus do not require blanching.

Literature on freezing and blanching can be found in bookshops.

Note:

Keep food that is to be frozen away from food that is already frozen.

- The following foods are suitable for freezing: Cakes and pastries, fish and seafood, meat, game, poultry, vegetables, fruit, herbs, eggs without shells, dairy products such as cheese, butter and quark, and ready meals and leftovers such as soups, stews, cooked meat and fish, potato dishes, soufflés and desserts.
- The following foods are not suitable for freezing: Types of vegetables that are usually consumed raw such as lettuce or radishes, eggs in shells, grapes, whole apples, pears and peaches, hard-boiled eggs, yogurt, soured milk, sour cream, crème fraîche and mayonnaise.

Packing Frozen Food

To prevent food from losing its flavor or drying out, place in airtight containers.

1. Place food in packaging.
2. Remove air.
3. Seal the wrapping.
4. Label packaging with contents and date of freezing.

Suitable Packaging:

Cling wrap, tubular film made of polyethylene, aluminum foil, freezer containers. These products are available from specialist outlets.

Unsuitable Packaging:

Wrapping paper, greaseproof paper, cellophane, bin liners and used shopping bags.

Items Suitable for Sealing Packaged Food:

Rubber bands, plastic clips, string, cold-resistant adhesive tape, etc.

Bags and tubular film made of polyethylene can be sealed with a film heat sealer.

Shelf Life of Frozen Food

Depends on the type of food.

At a temperature of 0 °F (-18 °C):

- Fish, sausage, ready meals and cakes and pastries:
up to 6 months
- Cheese, poultry and meat:
up to 8 months
- Vegetables and fruit:
up to 12 months

Super Freezing

Food should be frozen solid as quickly as possible in order to retain vitamins, nutritional value, appearance and flavor.

To prevent an undesirable temperature rise when placing fresh food in the Freezer Compartment, switch On super freezing several hours beforehand. As a rule, 4 – 6 hours is adequate. 24 hours are necessary when using the maximum freezer capacity fully.

After 2 days the temperature set before super freezing is automatically restored.

Switching On

Press the **SUPER** Button.

The Display Panel indicates the symbol “SUPER❄”.



Switching Off

Press the **SUPER** Button.

Thawing Frozen Food

Depending on the type and application, select one of the following options:

- at room temperature,
- in the refrigerator,
- in an electric oven, with/without convection,
- in the microwave.

Note:

Do not refreeze thawing or thawed food. Only ready meals (boiled or fried) may be refrozen.

Do not store the frozen produce for the maximum storage period.

Ice Maker

The Ice Maker makes ice cubes.

The Ice Maker starts to make ice cubes as soon as the appliance has reached the set temperature. When the Ice Cube Container is full, the Ice Maker stops ice production automatically.

⚠ CAUTION:

Do not place bottles or food in the Ice Cube Container in order to cool them quickly. The Ice Maker may be blocked and could be damaged.

Switching On

Note:

If the Ice Maker is used for the first time and/or after a long period of not being used, do not use the ice that is produced in the first day for hygienic reasons. Throw the ice cubes away and clean the Ice Cube Container.

1. Make sure that Ice Cube Container is in its place and locked into position.
2. Press the **ICE** button.

The symbol “ICE” is lit on the Display Panel.



Switching Off

Note:

Before switching the Ice Maker Off, it is most important that you switch the Water Supply to the appliance Off for a few hours.

Press the **ICE** button.

Removing Ice Cubes

Pull out the Ice Cube Container and remove the ice cubes.

Water Filter

⚠ WARNING:

Do not use the appliance in places where the water quality is risky or not sufficiently known about without suitable disinfection, before and after filtering.

A Filter Cartridge for filtering particles can be obtained from Customer Service or a specialist dealer.

⚠ CAUTION:

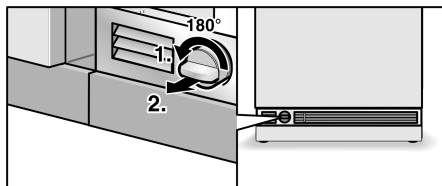
- After installing a new Filter Cartridge, always discard the ice produced within the first 24 hours after switching On the Ice Maker.
- If the ice has not been used for a prolonged period, pour all ice cubes out of the Ice Cube Container and also discard the ice produced within the next 24 hours.
- If the appliance or the ice has not been used actively for several weeks or months or if the ice cubes have an unpleasant taste or odor, change the Filter Cartridge.
- Air trapped in the system may cause water to escape and the Filter Cartridge to be ejected. Caution when removing.
- The Filter Cartridge must be changed at least every 6 months.

Important Information Concerning the Water Filter

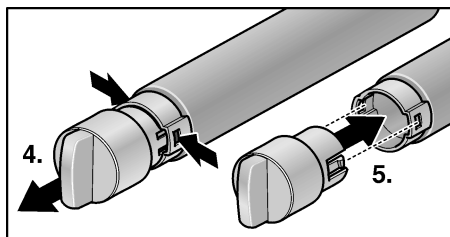
After use, the water system is subject to low pressure. Be careful when removing the Filter Cartridge!

Exchanging the Filter Cartridge

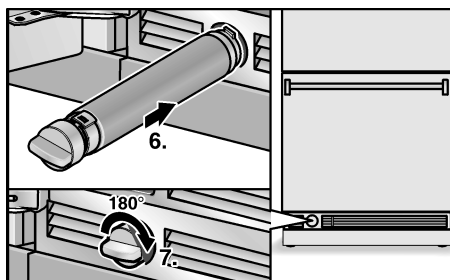
1. Turn the Filter Cap on the base of the appliance by 90–180° anti-clockwise.
2. Pull out the Filter Cartridge.



3. Take a new Filter Cartridge from the packet and remove the protective cap.
4. Take the Filter Cap off of the used Filter Cartridge.
5. Place the Filter Cap on the fresh Filter Cartridge.



6. With the Filter Cap in a horizontal position, feed the Filter Cartridge into the opening on the appliance base as far as it will go.
7. Turn the Filter Cartridge 90–180° in a clockwise direction.



8. Pour water out of the used Filter Cartridge. The Filter Cartridge can be disposed of in the household trash.

Note:

The appliance could be used without a Water Filter. If you select this option, replace the Water Filter with a Particle Cartridge. In this case the Filter Change Display can be deactivated to prevent the Filter Change Display. To purchase a Water Filter Replacement Cartridge, contact your local dealer or call 1-800-944-2904.

Specification and Performance Data Sheet

For filter model: 9000 077 095

Using replacement cartridge: 9000 077 104

The model was tested by NSF International with reference to ANSI/NSF Standards 42 & 53 and certified for a reduction in the substances cited below.

The concentration of the indicated substances which are dissolved in water and penetrate the system was reduced to a value below or equal to the permitted limit value in accordance with NSF/ANSI 42 and 53 for water discharged out of the appliance.

Substance	Average in inflow	Inflow concentration	Waste water concentration	Average reduction as %	Max. permitted concentration in waste water	Max. waste water	Min. reduction as %	NSF test
Cysts *	166,500	Min. 50,000/l	1	99.99	99.95	1	99.99	511077-03
Particle class 1 particle size > 0.5 to < 1.0 µm	5,700,000	At least 10,000 particles/ml	30.583	99.52	> 85 %	69.000	98.9	511079-03
Taste of chlorine and turbidity	1.9	2.0 mg/l + - 10 %	0.05	97.3	> 50 %	0.06	96.84	511081-03

* Based on the use of *Cryptosporium parvum* oocysts.

Application Guidelines / Water Supply Parameters:

Water Pressure	30 - 120 psi (207 - 827 kPa)
Water Temperature *	33 °F - 100 °F (0.6 °C - 38 °C)
Flow Rate	0.75 gpm (2.83 l/min.)

- The system is to be installed and operated according to the guidelines recommended by the manufacturer.
- The Filter is to be changed every 6 - 9 months.
- Rinse the new Filter thoroughly for 5 minutes.
- More detailed information can be found on the Warranty Card.

Note:

Even though the tests were conducted under standard laboratory conditions, the actual performance may deviate from these tests.



The system was tested and certified on model 9000 077 095 by NSF International with reference to ANSI/NSF Standard 53 for a reduction in cysts and turbidity, as well as with reference to ANSI/NSF Standard 42 for a reduction in the taste and odor of chlorine.

Nominal particle class: I

Nominal service life:

739.68 gallons (2,800 liters)

Without appropriate disinfection before and after connecting it to the system, this product should NOT be used if the water is microbiologically contaminated or if the quality has not been ascertained. A system certified for cyst reduction should be used for disinfected water which possibly contains filterable cysts.

A one-year warranty is issued for the entire system (except disposable cartridge). With reference to disposable cartridges a warranty is issued for material and processing faults only. As the service life of disposable cartridges depends on the local water conditions, no warranty is issued for them.

More detailed information on the prices of spare parts is available from your appliance dealer or parts salesman on site.

Manufactured by:

Cuno Engineered Products

1000 Apollo Road

Eagan, MN 55121-2240 U.S.A.

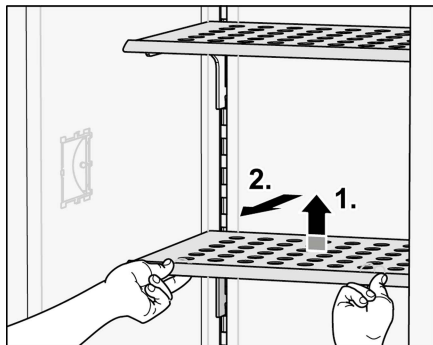
Interior Fittings

Removing the Shelves

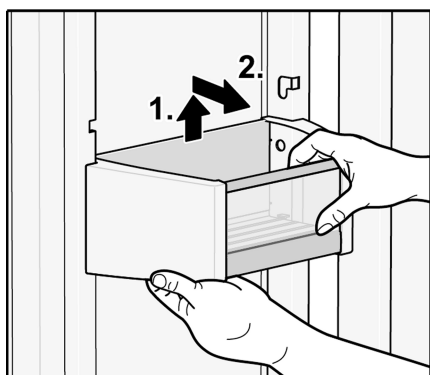
You can reposition the Shelves inside the appliance and Door Shelves as required.

Lift the Shelves and remove.

Shelves inside the Compartment



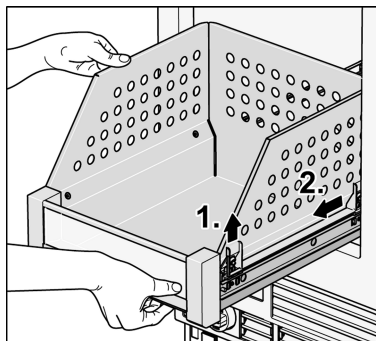
Door Shelves



Containers in the Freezer Compartment

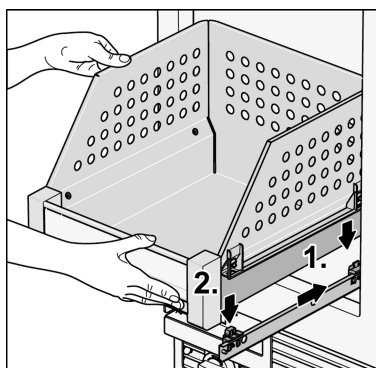
The Containers in the Freezer Compartment can be taken out for cleaning.

1. Lift Tray slightly and take out.



2. Lift Tray at front slightly and insert into the runners.

3. Lower Tray and push back.



Switching Off and Disconnecting the Appliance

Switching the Appliance Off

1. Press the **POWER** Button.
2. Unplug the Power Plug.

Disconnecting the Appliance

If you do not use the appliance for a prolonged period:

1. Before switching Off, it is most important that you switch the Water Supply to the appliance Off for a few hours.
2. Take all food out of the appliance.
3. Switch the appliance Off.
4. Unplug the Power Plug or switch the fuse Off.
5. Empty and clean the Ice Cube Container (see chapter "Cleaning the Appliance").
6. Clean the appliance interior (see chapter "Cleaning the Appliance").
7. Leave the appliance doors open to prevent odors from forming.

Defrosting

Defrosting is actuated automatically.

Cleaning the Appliance

⚠ WARNING:
Never clean the appliance with a steam cleaner!

⚠ CAUTION:

- Do not use abrasive, chloride or acidic cleaning agents or solvents.
- Do not use scouring or abrasive sponges. The metallic surfaces could corrode.
- Never clean Shelves and Containers in the dishwasher. The parts may become deformed!

Proceed as Follows

1. Before cleaning: Switch the appliance Off.
2. Unplug the Power Plug or switch the fuse Off.
3. Take out the frozen food and store in a cool location. Place the ice pack (if enclosed) on the food.
4. Clean the appliance with a soft cloth, lukewarm water and a little pH neutral cleaning liquid. Prevent the rinsing water from running into the light.
5. Wipe the Door Seal with clear water only and then wipe dry thoroughly.
6. After cleaning, reconnect and switch the appliance back On.
7. Put the frozen food back in the Freezer Compartment.

Interior Fittings

All variable parts of the appliance can be taken out for cleaning (see chapter "Interior Fittings").

Cleaning the Ice Cube Container

If ice cubes have not been dispensed for a prolonged period, they will shrink, have a stale taste and stick together. Therefore, the Ice Cube Container should be cleaned regularly.

⚠ CAUTION:
A full Ice Cube Container is heavy.

1. Remove the Ice Cube Container.
2. Pull out the Ice Cube Container, empty and clean with lukewarm water.
3. Dry the Ice Cube Container to prevent new ice cubes from sticking to it.
4. Insert the Ice Cube Container. Ice cube production continues.

Light (LED)

Your appliance features a maintenance-free LED Light. These lights may be repaired by Customer Service or authorized technicians only.

Tips for Saving Energy

- Install the appliance in a dry, well ventilated room! The appliance should not be installed in direct sunlight or near a heat source (e.g. radiator, cooker). If required, use an insulating plate.
- Do not block the Ventilation Openings in the appliance.
- Allow warm food and drinks to cool down before placing in the appliance!
- When thawing frozen products, place them in the refrigerator. Use the coldness of the frozen food to cool food.
- Open the appliance as briefly as possible!

Operating Noises

Normal Noises

Droning

Motors are running (e.g. refrigeration units, fan).

Bubbling, humming or gurgling noises

Refrigerant is flowing through the tubing or water is flowing into the Ice Maker.

Clicking

Motor, switches or solenoid valves are switching On/Off.

Rumbling

Ready ice cubes from the Ice Maker are falling into the Ice Cube Container.

Preventing Noises

The appliance is not level

Please align the appliance with a spirit level. Use the Height-Adjustable Feet or place packing underneath them.

The appliance is not free-standing

Please move the appliance away from adjacent units or appliances.

Containers or Shelves wobble or stick

Please check the removable parts and re-insert them correctly, if required.

Bottles or containers are touching each other

Move the bottles or containers slightly away from each other.

Before Calling for Service

Before you call Customer Service:

Please check whether you can troubleshoot yourself based on the following information.

Customer Service will charge you for advice – even if the appliance is still under guarantee!

Appliance

Fault	Possible cause	Remedial action
Appliance has no refrigeration capacity.	Appliance has been switched Off.	Press the POWER Button.
	Power failure.	Check whether the power is on.
The light does not work.	The fuse has been switched Off.	Check the fuse.
The display does not illuminate.	The Power Plug has not been inserted properly.	Check whether the Power Plug is secure.
The refrigeration unit is switching On more frequently and for longer.	Appliance opened frequently.	Do not open the appliance unnecessarily.
	The Ventilation Openings have been covered.	Remove obstacles.
	Large quantities of fresh food are placed in the freezer.	Switch Super Freezing On.
The light (LED) does not work.	The LED lamp is defective.	Call Customer Service.
	Light switch is jammed.	Check whether it can be moved.
Display indicates "E..".	Electronics have detected a fault.	Call Customer Service.
Display indicates "LOWPOWER".	The line voltage falls below the permitted limiting value.	When the line voltage reaches the stipulated value again, the warning message goes out. If the warning message lasts for longer, inform the energy supply company.
Display indicates "HIGHVOLT".	The line voltage exceeds the permitted limiting value.	When the line voltage reaches the stipulated value again, the warning message goes out. If the warning message lasts for longer, inform the energy supply company.

Ice Maker

Fault	Possible cause	Remedial action
The Ice Maker doesn't work.	Ice Maker is not connected to the power supply.	Call Customer Service.
	Ice Maker does not contain any fresh water.	Ensure that the water is properly connected.
	Temperature in the Freezer Compartment is too warm.	Set temperature slightly colder in the Freezer Compartment.
The Ice Maker does not make enough ice or the ice is deformed.	The appliance or Ice Maker has only just been switched On.	Approximately 24 hours is needed until ice production starts.
	A lot of ice has been taken.	Approximately 24 hours is needed until the Ice Cube Container is filled again.
	Low water pressure.	Connect the appliance to the stipulated water pressure only (see chapter "Connecting Appliance", section "Water Connection").
	The Filter Cartridge is blocked or needs to be replaced.	Exchange the Filter Cartridge.
	Temperature in the Freezer Compartment is too warm.	Set temperature slightly colder in the Freezer Compartment.

Fault	Possible cause	Remedial action
The Ice Maker does not make any ice.	The Ice Maker is switched Off.	Switch the Ice Maker On at the control panel.
	The appliance is not supplied with water.	Contact the installer or the Water Supply company.
	Water Supply has kinks.	Turn Off the Water Supply at the Shut Off Tap. Smoothen out the kinks, exchange where necessary.
	Low Water Pressure.	Connect the appliance to the stipulated water pressure only (see chapter "Connecting Appliance", section "Water Connection").
	Temperature in the freezer space is too warm.	Check Freezer Compartment temperature and, if required, set slightly colder.
	Ice Cube Container is not properly inserted.	Check the position, re-insert where necessary.
	Incorrect Shut Off Tap installed.	Incorrect Shut Off Taps can cause low water pressure and damage to the appliance.
Ice forms in the inflow hose to the Ice Maker.	Low Water Pressure.	Connect the appliance to the stipulated water pressure only (see chapter "Connecting Appliance", section "Water Connection").
	Shut Off Tap incorrectly opened.	Open Shut Off Tap fully.
Water runs from the appliance.	The Water Connection Hose is not properly sealed.	Replace the hose with a manufacturer's original part.
	Incorrect Shut Off Tap installed.	Incorrect taps can cause low water pressure and damage to the appliance.

Customer Service

Before you call Customer Service, see the chapter entitled “Before Calling for Service”.

After checking according to the chapter entitled “Before Calling for Service”, additional help can be requested by calling the Bosch Customer Service center, 1-800-944-2904 (toll-free), from anywhere in the USA. In Canada contact your Bosch Customer Service or call 1-800-944-2904.

Note down the following information about your freezer so that you have it ready and can be better assisted if you require help or Customer Service.

Dealer's name: _____

Address: _____

Telephone number: _____

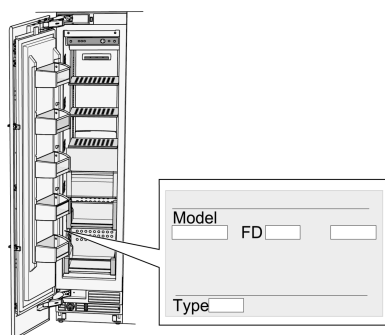
Purchase date: _____

Model number: _____

FD number: _____

Serial number: _____

Type: _____



fr Table des matières

Consignes de sécurité et avertissements	21	Supercongélation	30
Définition	21	Allumage	30
AVERTISSEMENT : Avant de mettre l'appareil en service	21	Coupure	30
Sécurité technique	21	Décongélation des produits.....	30
Pendant l'utilisation	21	Distributeur de glaçons.....	30
Les enfants et l'appareil.....	22	Allumage.....	30
Dispositions générales.....	22	Coupure de l'appareil.....	31
Mises en garde de la proposition 65 de l'État de Californie	22	Filtre à eau	31
Conseils pour la mise au rebut.....	22	Consignes importantes concernant le filtre à eau.....	31
♻ Mise au rebut de l'emballage.....	22	Changement de cartouche filtrante	31
♻ Mise au rebut de l'ancien appareil.....	22	Fiche des caractéristiques et performances	32
Installation de l'appareil	23	Équipement	33
Transport.....	23	Retirer les clayettes	33
Lieu d'installation.....	23	Bacs dans le compartiment congélateur.....	33
Aération.....	23	Arrêt et remisage de l'appareil.....	33
Étendue des fournitures.....	23	Coupure de l'appareil.....	33
Branchement de l'appareil	23	Remisage de l'appareil	33
Branchement de l'eau	24	Dégivrer l'appareil.....	33
Connexion électrique.....	24	Nettoyage de l'appareil.....	34
Présentation de l'appareil.....	25	Procédure	34
Éléments de commande.....	26	Équipement	34
Enclenchement de l'appareil	27	Éclairage (LED)	34
Remarques concernant le fonctionnement de l'appareil.....	27	Economies d'énergie	34
Réglage de la langue.....	27	Bruits de fonctionnement	34
Régler l'unité de température	27	Bruits parfaitement normaux.....	34
Réglage de la température	27	Éviter la génération de bruits.....	34
Compartiment congélateur	27	Avant d'appeler le service après-vente.....	35
Fonctions spéciales.....	27	Appareil.....	35
Mode Configuration	27	Distributeur de glaçons.....	35
Mode Vacances.....	28	Service après-vente	37
Mode Sabbat.....	28		
Mode Économie d'énergie	28		
Fonction alarme.....	29		
Alarme relative à la porte.....	29		
Alarme de température	29		
Désactiver l'alarme.....	29		
Le compartiment congélateur.....	29		
Utilisation du compartiment congélateur	29		
Congélation et rangement.....	29		
Achats de produits surgelés	29		
Congélation de produits frais	29		
Emballer les surgelés.....	30		
Durée de conservation des produits surgelés	30		

Consignes de sécurité et avertissements

VEUILLEZ LIRE ET CONSERVER CES INSTRUCTIONS !

Definition



AVERTISSEMENT :

Ceci signifie qu'un danger de mort ou de blessure grave peut surgir si cet avertissement n'est pas respecté.



ATTENTION :

Ceci signifie qu'un risque de blessures légères à moyennement graves peut surgir si cet avertissement n'est pas respecté.

AVERTISSEMENT : Avant de mettre l'appareil en service

Veillez lire attentivement et entièrement les informations figurant dans les notices d'utilisation et de montage. Elle contiennent des remarques importantes concernant l'installation, l'utilisation et l'entretien de l'appareil.

Le fabricant décline toute responsabilité si les consignes et mises en garde contenues dans la notice d'utilisation ne sont pas respectées. Conservez toute la documentation pour pouvoir la consulter à nouveau ultérieurement ou si l'appareil doit changer un jour de propriétaire.

Sécurité technique

Si le cordon d'alimentation électrique de cet appareil a été endommagé, il faut confier son remplacement au fabricant, au service après-vente ou à une personne détenant des qualifications similaires. Les installations et réparations inexpertes peuvent engendrer des risques considérables pour l'utilisateur.

Les réparations ne pourront être réalisées que par le fabricant, le service après-vente ou une personne détenant des qualifications similaires.

Il ne faut utiliser que les pièces d'origine du fabricant. Le fabricant ne garantit que les pièces d'origine car elles seules remplissent les exigences de sécurité. N'utilisez pas de rallonge, de bloc multiprise ou d'adaptateur.

L'appareil est livré équipé d'un cordon de raccordement au réseau à trois fils homologué UL.

Il est interdit en toutes circonstances de couper ou de retirer le troisième conducteur (mise à la terre) du câble d'alimentation.

L'appareil requiert une prise de courant à trois pôles. La prise de courant ne peut être branchée que par un électricien qualifié.

Lorsqu'une prise de courant standard bipolaire est disponible, il en va de la responsabilité personnelle du client de la remplacer par une prise de courant tripolaire réglementairement reliée à la terre. N'utilisez pas de connecteur adaptateur.

Pendant l'utilisation

- N'utilisez pas d'appareils électriques à l'intérieur de l'appareil (par ex. appareils de chauffage, machine à glaçons, etc.).

Risque d'explosion !

- Ne décongelez et ne nettoyez jamais l'appareil avec un nettoyeur à vapeur ! La vapeur risque d'atteindre des pièces électriques et de provoquer un court-circuit.

Risque d'électrocution !

- Pour détacher le givre ou les couches de glace, n'utilisez jamais d'objets pointus ou présentant des arêtes vives. Vous risqueriez d'endommager les tubulures dans lesquelles circule le produit réfrigérant. Le fluide réfrigérant peut s'enflammer en jaillissant ou provoquer des blessures oculaires.
- Ne stockez dans l'appareil ni produits contenant des gaz propulseurs inflammables (par ex. bombes aérosols) ni produits explosifs.

Risque d'explosion !

- Ne vous servez pas abusivement des socles, rails télescopiques, portes, etc. comme marchepieds ou pour vous appuyer.
- Avant de décongeler et nettoyer, débranchez la fiche mâle de la prise de courant ou ramenez le disjoncteur en position éteinte. Pour débrancher, ne saisissez que la fiche mâle, pas le cordon de branchement.
- Ne conservez les bouteilles de boissons fortement alcoolisées qu'hermétiquement fermées et debout.
- L'huile et la graisse ne doivent pas entrer en contact avec les parties en matières plastiques et le joint de porte. Les pièces en plastique et le joint de porte deviendront sinon poreux.
- Ne recouvrez et n'obstruez jamais les orifices d'entrée et de sortie d'air affectées à l'appareil.
- **Évitez des risques pour les enfants et les personnes en danger :**
Sont en danger les enfants et les personnes dont les capacités physiques, psychiques ou de perception sont restreintes, ainsi que les personnes ne détenant pas suffisamment de connaissances sur l'utilisation sûre de l'appareil.
Assurez-vous que les enfants et les personnes en danger ont bien compris la nature des dangers. Une personne responsable de la sécurité doit surveiller ou guider les enfants et les personnes en danger lorsqu'elles se trouvent près de l'appareil. Ne permettez l'utilisation de l'appareil qu'aux enfants à partir de 8 ans.
Surveillez les enfants pendant le nettoyage et la maintenance.
Ne permettez jamais aux enfants de jouer avec l'appareil.
- Ne conservez aucun liquide en bouteille ou en boîte dans le compartiment congélateur (en particulier les

boissons contenant du gaz carbonique). Les bouteilles et les boîtes pourraient éclater !

- Ne portez jamais des produits surgelés à la bouche immédiatement après les avoir sortis du compartiment congélateur.

Risque d'engelures !

- Évitez tout contact prolongé des mains avec les produits congelés, la glace ou les tubes de l'évaporateur, etc.

Risque d'engelures !

Les enfants et l'appareil

- Ne confiez jamais l'emballage et ses pièces constitutives aux enfants. Ils risquent de s'étouffer avec les cartons pliants et les feuilles de plastique !
- L'appareil n'est pas un jouet !
- "Si l'appareil est équipé d'une serrure : rangez la clé hors de portée des enfants !

Dispositions générales

L'appareil convient pour

- congeler des produits alimentaires,
- préparer des glaçons,
- la distribution d'eau potable.

Cet appareil est destiné à un usage domestique dans un foyer privé, et à l'environnement domestique. Le circuit frigorifique a subi un contrôle d'étanchéité. Cet appareil est conçu pour une utilisation jusqu'à une altitude maximale de 2000 m.

Mises en garde de la proposition 65 de l'État de Californie



AVERTISSEMENT :

Ce produit contient des produits chimiques connus de l'État de la Californie pour causer le cancer, des anomalies congénitales ou d'autres problèmes de reproduction.

Conseils pour la mise au rebut

Mise au rebut de l'emballage

L'emballage protège votre appareil contre les dégâts qu'il pourrait subir en cours de transport. Tous les matériaux qui le constituent sont compatibles avec l'environnement et recyclables. Aidez-nous : À éliminer l'emballage dans le respect de l'environnement.

Pour savoir comment vous débarrasser de l'emballage, veuillez consulter votre revendeur ou les services administratifs de votre mairie.

Mise au rebut de l'ancien appareil

Les appareils usagés ne sont pas des déchets sans valeur ! Des matières premières précieuses peuvent être récupérées par le recyclage.



AVERTISSEMENT :

1. Débranchez la fiche mâle de la prise de courant.
2. Sectionnez le cordon d'alimentation puis enlevez-le avec la fiche mâle.
3. Pour dissuader les enfants de grimper dans l'appareil, ne retirez pas les clayettes et les bacs !
4. Ne permettez pas aux enfants de jouer avec l'appareil lorsqu'il ne sert plus. **Risques de suffocation !**

Les appareils frigorifiques contiennent des fluides frigorigènes et des gaz isolants qui nécessitent une mise au rebut adéquate. Veillez à ce que les tuyaux du circuit frigorifique de votre appareil ne soient pas endommagés jusqu'à son élimination dans les règles de l'art. Jusqu'à l'enlèvement de l'appareil, veillez bien à ce que son circuit frigorifique ne soit pas endommagé.

Installation de l'appareil

Faites installer l'appareil par un spécialiste qui respectera le contenu de la notice de montage ci-jointe.



AVERTISSEMENT :

Ne pas installer l'appareil :

- à l'extérieur,
- dans un environnement propice aux fuites d'eau,
- dans des pièces exposées au gel.

Transport

Les appareils sont lourds. Il faut les sécuriser en vue du transport et pendant le montage.

En raison du poids et des dimensions de l'appareil, pour réduire au maximum le risque de blessures ou d'endommager l'appareil, il faudra au moins deux personnes pour installer l'appareil de manière sûre.

Lieu d'installation

Un local sec et aérable convient comme lieu d'installation. Il faudrait que le lieu d'installation ne soit pas directement exposé aux rayons solaires et pas à proximité d'une source de chaleur (cuisinière, radiateur, etc.). Si l'installation à côté d'une source de chaleur est inévitable, veuillez utiliser un panneau isolant approprié ou respecter les écarts minimums suivants par rapport à la source de chaleur :

- 1,2" (3 cm) par rapport aux cuisinières électriques ou à gaz.
- 12" (30 cm) par rapport à un appareil de chauffage au fuel ou au charbon.

Sur l'emplacement, le sol ne doit pas s'affaisser. Renforcez-le le cas échéant. Afin que le distributeur de glaçons fonctionne impeccablement, l'appareil doit se trouver parfaitement à la verticale.

L'air destiné au groupe frigorifique rentre et sort par la grille d'aération située dans le socle. Ne recouvrez en aucun cas la grille d'aération et ne placez rien devant. Le groupe frigorifique se trouverait sinon sollicité plus fortement, ce qui augmenterait la consommation de courant.

Aération

L'air destiné au groupe frigorifique rentre et sort par la grille d'aération située dans le socle. Ne recouvrez en aucun cas la grille d'aération et ne placez rien devant. Le groupe frigorifique se trouverait sinon sollicité plus fortement, ce qui augmenterait la consommation de courant.

Étendue des fournitures

Après avoir déballé, vérifiez toutes les pièces pour détecter d'éventuels dégâts dus au transport.

En cas de réclamation, veuillez vous adresser au revendeur auprès duquel vous avez acquis l'appareil ou auprès de notre service après-vente.

La livraison comprend les pièces suivantes :

- Appareil encastrable
- Équipement (selon le modèle)
- Notice d'utilisation
- Notice de montage
- Carnet de service après-vente
- Pièce annexe de la garantie
- Informations relatives à la consommation d'énergie et aux bruits
- Sachet avec quincaillerie de montage

Branchement de l'appareil

Faites installer et raccorder l'appareil par un spécialiste qui procèdera selon la notice de montage ci-jointe.

N'enlevez les cales de transport retenant les clayettes et balconnets qu'après l'installation.

Réalisez le raccordement de l'eau impérativement avant celui de l'électricité.

Outre les prescriptions légales en vigueur dans votre pays, veuillez aussi respecter les règlements publiés par les compagnies distribuant l'électricité et l'eau dans votre localité.

Après l'installation de l'appareil en position verticale, attendez au moins une heure avant de le mettre en service. Il peut en effet arriver, pendant le transport, que l'huile présente dans le compresseur se déplace vers le circuit frigorifique.

Avant la première mise en service, nettoyez le compartiment intérieur de l'appareil. (Voir le chapitre « Nettoyage de l'appareil ».)

Branchement de l'eau

ATTENTION :

Ne raccordez l'appareil qu'à une conduite d'eau potable :

- Pression minimum : 0,2 MPa (2 bar)
- Pression maximum : 0,8 MPa (8 bar)
- Pression supérieure à 0,8 MPa (8 bar) : installez un limiteur de pression entre le raccord d'eau potable et le kit flexible.

Le raccordement de l'eau est une opération exclusivement réservée à un installateur professionnel qui respectera ce faisant les prescriptions publiées par la compagnie distributrice d'eau dans votre localité.

Le fonctionnement du distributeur automatique de glaçons demande la présence d'une arrivée d'eau froide terminée par un raccord. La pression de l'eau doit être comprise entre 29 et 116 p.s.i.

(2,0 et 8,0 bars). L'installation doit avoir lieu en respectant la réglementation appliquée par les installateurs d'équipements sanitaires.

Sur la conduite d'arrivée d'eau froide, il faut intercaler un robinet de fermeture à part.

Ce robinet ne doit pas se trouver derrière l'appareil. Il est recommandé de monter ce robinet directement à côté de l'appareil ou dans un autre endroit facilement accessible.

Au moment d'installer le raccordement de l'eau, respectez bien les zones admettant le passage de la conduite d'eau.

Pour réaliser le raccordement au réseau d'eau potable, il ne faut utiliser que des conduites d'eau adaptées à l'eau potable. Il faut respecter la réglementation nationale et les conditions de raccordement publiées par les compagnies distributrices d'eau locales.

Connexion électrique

AVERTISSEMENT : Risque d'électrocution

Cet appareil doit être branché dans une prise triphasée uniquement. Ne retirez jamais la broche de mise à la terre. N'utilisez pas d'adaptateur. N'utilisez pas de rallonge électrique.

AVERTISSEMENT : Risque d'électrocution

Un branchement incorrect de l'appareil pose un risque de mort, d'incendie ou d'électrocution. Un branchement inadéquat du conducteur de terre pose un risque d'électrocution. En cas d'incertitude sur la bonne mise à la terre de l'appareil, faites-le inspecter par un électricien ou technicien qualifié.

AVERTISSEMENT : Risque d'électrocution

Si la longueur du cordon d'alimentation est insuffisante, abstenez-vous à tout prix d'utiliser une rallonge ou un bloc multiprise. Contactez plutôt le service à la clientèle pour des solutions de rechange:

Le raccordement de cet appareil demande la présence d'une prise de courant fixe.

La prise de courant doit être proche de l'appareil et demeurer librement accessible une fois ce dernier installé.

L'appareil est conforme à la classe de protection I. Branchez l'appareil à une prise de courant installée réglementairement. Par " réglementairement ", on entend : avec conducteur de terre et courant alternatif de 110 à 120 V/60 Hz. La prise doit être protégée par un fusible supportant une intensité de 10 A à 16 A.

L'appareil est livré équipé d'un cordon d'alimentation au réseau à trois fils homologué UL. L'appareil requiert une prise de courant à trois pôles.

Veillez observer le tableau suivant à ce sujet :

Appareil	Charge maximale simultanée
Congélateur 18"	3,5 ampères

Vérifiez sur la plaque signalétique si la tension indiquée et le type de courant correspondent aux valeurs de votre réseau électrique. La position de la plaque signalétique est indiquée au chapitre « Service à la clientèle ».

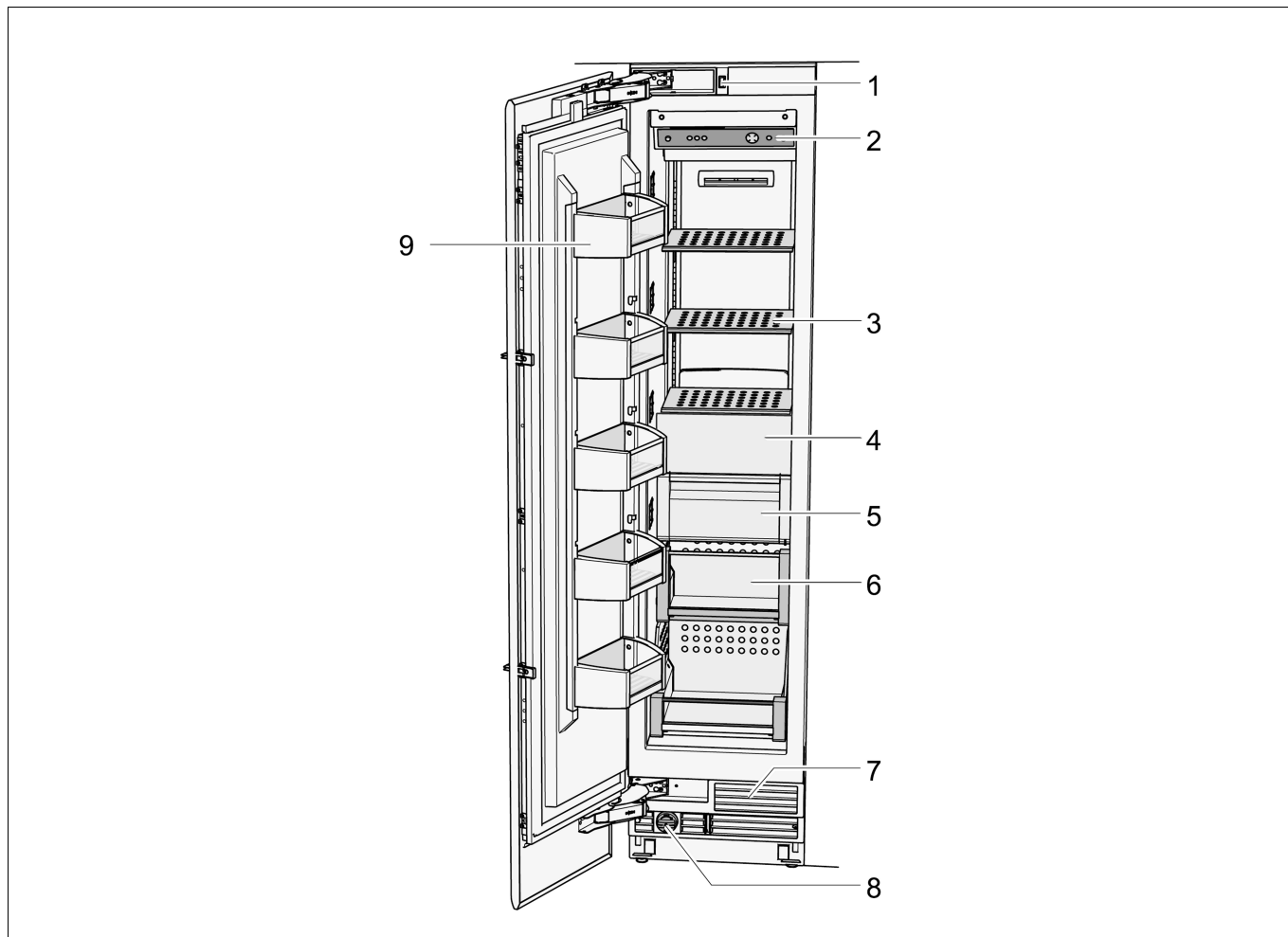
AVERTISSEMENT :

Il est interdit de brancher l'appareil à une prise à économie d'énergie électronique.

Nos appareils peuvent être alimentés via des onduleurs pilotés par le secteur ou à pilotage sinusoïdal. Directement raccordées au secteur public, les installations photovoltaïques font appel à des onduleurs pilotés par le secteur. Dans les solutions en îlots (p. ex. sur les bateaux ou les refuges de montagne), ne disposant pas d'un raccordement direct au secteur électrique public, il faut utiliser des onduleurs à pilotage sinusoïdal.

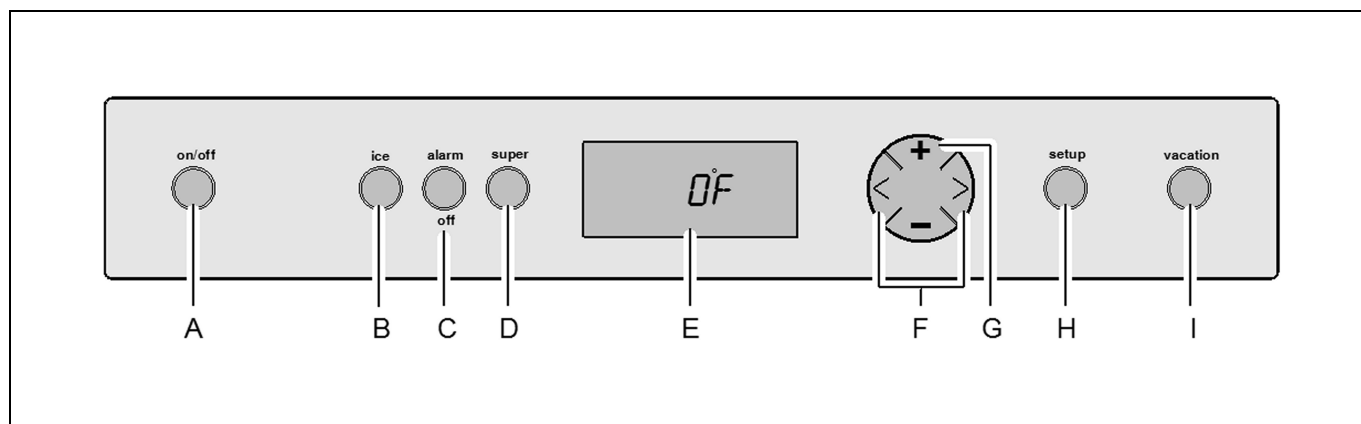
Présentation de l'appareil

La présente notice d'utilisation vaut pour plusieurs modèles.
Selon le modèle, l'appareil peut différer du contenu des illustrations.



- 1 Interrupteur d'éclairage
- 2 Éléments de commande
- 3 Clayette dans le compartiment congélateur
- 4 Distributeur de glaçons
- 5 Bac à glaçons
- 6 Bac
- 7 Aération
- 8 Filtre à eau
- 9 Rangement en contre-porte

Éléments de commande

**A Touche POWER**

Sert à allumer et éteindre l'ensemble de l'appareil.

B Touche ICE

Pour allumer et éteindre le distributeur de glaçons, voir le chapitre « Distributeur de glaçons ».

C Touche ALARM

Sert à désactiver l'alarme sonore.
Voir le chapitre « Fonction alarme ».

D Touche SUPER

Pour allumer et éteindre la supercongélation.
Voir le chapitre « Supercongélation ».

E Bandeau d'affichage

La température dans le compartiment congélateur est indiquée sur le bandeau d'affichage. Les fonctions spéciales activées sont représentées par des symboles.

En mode Configuration, les menus disponibles et les options de réglage s'affichent, voir le chapitre « Fonctions spéciales ».

F Touches de sélection < >

Le réglage de la température s'active par les touches de sélection, voir le chapitre « Réglage de la température ».

Pour sélectionner un menu en mode Configuration (voir le chapitre « Fonctions spéciales », section « Mode Configuration »).

G Touches de réglage + / -

Les touches de réglage permettent de modifier le réglage de la température. Voir le chapitre « Réglage de la température ».

Il est possible d'effectuer autres réglages en mode Configuration, voir le chapitre « Fonctions spéciales ».

H Touche SETUP

Cette touche active le mode Configuration et y met fin. Si vous mettez fin au mode Configuration par la touche de configuration, l'appareil mémorise les modifications accomplies.

I Touche VACATION

Elle sert à activer et désactiver le mode Vacances ; voir le chapitre « Fonctions spéciales », section « Mode Vacances ».

Remarque :

Chaque actionnement d'une touche est signalé par un bip si, en mode Configuration, vous avez activé cette fonction dans le menu SON.

Les symboles sur le bandeau d'affichage

	La fonction de supercongélation est activée (voir le chapitre « Supercongélation »).
	Le mode Vacances est activé, voir le chapitre « Fonctions spéciales ».
	Possibilités de réglage en mode Configuration, voir le chapitre « Fonctions spéciales ».
	Un message d'avertissement s'affiche, voir le chapitre « Fonction alarme ».
	Le distributeur de glaçons est allumé, le chapitre « Distributeur de glaçons ».
	Un message sur le filtre à eau s'affiche, voir le chapitre « Filtre à eau ».

Enclenchement de l'appareil

Allumez l'appareil par la touche **POWER**.

L'appareil commence à réfrigérer. Porte en position ouverte, l'éclairage est allumé.

⚠ ATTENTION :

Lors de la fermeture, éloignez les mains et les doigts des orifices de portes avant et arrière de la porte du compartiment congélateur et du tiroir de congélation. **Risque de blessures aux mains et aux doigts.**

Ne permettez jamais aux enfants de grimper sur la porte de l'unité de la congélation, ou de jouer avec elle.

Remarques concernant le fonctionnement de l'appareil

- Après son allumage, l'appareil peut avoir besoin de plusieurs heures pour atteindre la température réglée.
- Grâce au système No Frost entièrement automatique, le compartiment congélateur ne se couvre pas de givre. Il n'est pas nécessaire de dégivrer.

Réglage de la langue

Il est possible de modifier les langues d'affichage conformément au tableau du chapitre « Fonctions spéciales », section « Mode Configuration ».

Pour changer de langue d'affichage :

1. Appuyez sur la touche **SETUP**.
2. Appuyez sur la touche de sélection **<** ou **>** jusqu'à ce que la langue réglée s'affiche.
3. Appuyez sur la touche de réglage **+** ou **-** jusqu'à ce que la langue voulue s'affiche.
4. Appuyez sur la touche **SETUP** pour enregistrer les réglages. Dans le champ d'affichage, la température réglée à nouveau s'affiche.

Régler l'unité de température

L'affichage de la température peut avoir lieu en degrés Celsius (°C) ou en degrés Fahrenheit (°F).

1. Appuyez sur la touche **SETUP**.
Le premier menu (unité de température) s'affiche.
2. Appuyez sur la touche de réglage **+** ou **-** pour commuter entre les degrés Fahrenheit (°F) ou les degrés Celsius (°C).
3. Appuyez sur la touche **SETUP** pour enregistrer les réglages.
Dans le champ d'affichage, la température réglée à nouveau s'affiche.

Réglage de la température

Compartiment congélateur

(Réglage possible de +7 °F (-14 °C) à -9 °F (-23 °C))
Nous vous recommandons de régler la température sur 0 °F (-18 °C).

1. Appuyez sur la touche de sélection **<**.
2. Réglez la température comme vous le souhaitez à l'aide des touches de réglage **+** (température plus élevée) ou **-** (température moins élevée).

Fonctions spéciales

Les fonctions spéciales suivantes peuvent être sélectionnées ou affichées:

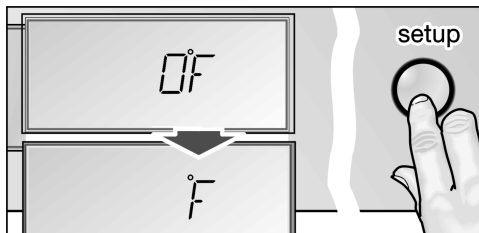
Mode Configuration

En mode Configuration, vous pouvez effectuer vos réglages personnels.

Allumage

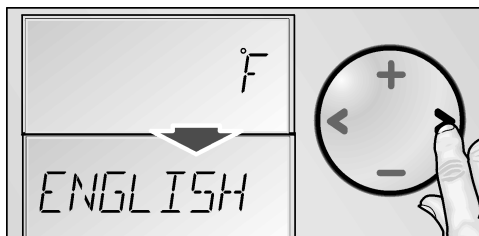
Appuyez sur la touche **SETUP**.

Le premier menu s'affiche (unité de température).

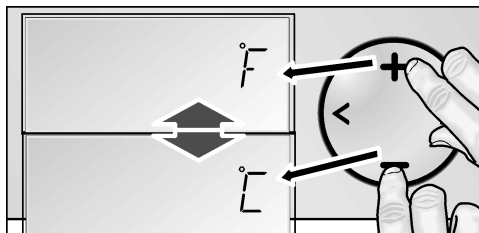


Effectuer des réglages

1. Activez le mode Configuration (Setup).
2. Appuyez sur la touche de sélection **<** ou **>**.
Le menu suivant et son réglage actuel (**ON** ou **OFF** la plupart du temps) s'affichent.



3. Appuyez sur la touche de réglage **+** ou **-**.



4. Appuyez sur la touche de sélection **<** ou **>** pour sauvegarder et passer au menu suivant.

Coupage de l'appareil

Appuyez sur la touche **SETUP**.

Tous les réglages modifiés sont mémorisés.

Remarque :

Si vous n'appuyez sur aucune touche dans les 20 secondes, le mode Configuration prend automatiquement fin. Tous les réglages modifiés sont mémorisés. Dans le champ d'affichage, la température réglée à nouveau s'affiche.

Menus en mode Configuration

Il est possible d'effectuer les réglages suivants :

Le menu	Réglage possible
Unité de température	°C (degrés Celsius) °F (degrés Fahrenheit)
Langue	Anglais Français Espagnol
Son	Marche Arrêt
Mode Économie d'énergie (Fonction Eco)	Marche Arrêt

Mode Vacances

En cas d'absence prolongée, vous pouvez commuter l'appareil sur le mode Vacances, économe en énergie lui aussi.

Lors de l'activation du mode Vacances, les réglages suivants s'effectuent :

- L'appareil fonctionne en mode Économie d'énergie.
- L'éclairage est éteint.
- La fonction de supercongélation prend fin (si elle était activée).

Allumage

Appuyez sur la touche **VACATION**.

Le symbole « VACATION » apparaîtra sur le bandeau d'affichage.

Extinction

Appuyez sur la touche **VACATION**.

Les réglages et températures antérieurs se réactivent.

Mode Sabbat

L'activation du mode Sabbat a pour effet de désactiver les réglages suivants :

- Distributeur de glaçons
- Signal acoustique
- Éclairage intérieur
- Messages affichés
- La luminosité du rétro-éclairage de l'affichage diminue
- Les touches deviennent inopérantes

Allumage

1. Appuyez sur la touche **SUPER** et maintenez-la appuyée.
2. Appuyez sur la touche **VACATION**.
3. Appuyez sur la touche **SUPER** et maintenez-la appuyée 3 secondes supplémentaires.
Le symbole « VACATION » apparaît clignotant et la mention « SABBATH » s'affiche.

Extinction

Appuyez sur la touche **VACATION**.

Les réglages et températures antérieurs se réactivent.

Mode Économie d'énergie

Lorsque vous activez la fonction d'économie d'énergie (fonction Eco), l'appareil commute sur un mode de fonctionnement économe. Cette fonction d'économie d'énergie a été pré-réglée en usine pour réduire la consommation énergétique. La luminosité du rétro-éclairage de l'affichage diminue également.

Allumage

1. Appuyez sur la touche **SETUP**.
2. Appuyez sur la touche de sélection **➤** jusqu'à ce que la mention « ECO MODE » et le réglage actuel (**OFF**) s'affiche.
3. Appuyez sur la touche de réglage **+** pour commuter le réglage.
4. Appuyez sur la touche **SETUP** pour enregistrer le réglage.
La mention « ECO MODE » s'affiche.

Extinction

1. Appuyez sur la touche **SETUP**.
2. Appuyez sur la touche de sélection **➤** jusqu'à ce que la mention « ECO MODE » et le réglage actuel (**ON**) s'affiche.
3. Appuyez sur la touche de réglage **-** pour commuter le réglage.
4. Appuyez sur la touche **SETUP** pour enregistrer le réglage.

Fonction alarme

Alarme relative à la porte

L'alarme relative à la porte s'active si une porte de l'appareil reste ouverte plus de trois minutes. Refermer la porte suffit pour que l'alarme sonore cesse.

Alarme de température

L'alarme de température s'enclenche lorsque la température est trop élevée dans le compartiment congélateur et que les produits congelés risquent de s'abîmer.

Dans le champ d'affichage clignote la température sur laquelle le compartiment congélateur a été réglé, et la mention « ALARM » s'affiche.

Après avoir appuyé sur la touche **ALARM**, la température la plus élevée qui a régné dans le compartiment congélateur s'affiche pendant cinq secondes.

Ensuite, cette valeur s'efface. L'affichage de température du compartiment congélateur indique, sans clignoter, la température réglée.

A partir de ce moment-là, l'appareil recommence à déterminer et enregistrer la température la plus élevée.

La mention « ALARM » s'éteint dès que la température réglée est à nouveau atteinte.

L'alarme peut s'activer dans les cas suivants, sans que cela signifie que les produits congelés risquent de s'abîmer :

- lors de la mise en service de l'appareil,
- lors du rangement de grandes quantités de produits frais,
- lorsque la porte du compartiment congélateur est restée trop longtemps ouverte.

Désactiver l'alarme

Appuyez sur la touche **ALARM** pour éteindre l'alarme sonore.

Le compartiment congélateur

AVERTISSEMENT :

Ne rangez jamais de substances explosives dans l'appareil. **Risque d'explosion !**

ATTENTION :

Ne remettez pas à congeler des produits alimentaires partiellement ou entièrement décongelés. Avant de congeler des produits alimentaires, faites les cuire ou rôtir. Ne conservez jamais des produits congelés au-delà de la durée de stockage maximale.

Utilisation du compartiment congélateur

- Sert à ranger des produits surgelés.
- Pur congeler des produits alimentaires.
- Sert à confectionner des glaçons.

Remarque :

Veillez à ce que la porte du compartiment congélateur soit correctement fermée ! Si cette porte reste ouverte, les produits surgelés dégèleront. Le compartiment congélateur se givre fortement. En outre : Gaspillage d'énergie dû à une consommation élevée d'électricité !

Congélation et rangement

Achats de produits surgelés

- Leur emballage doit être intact.
- Ne dépassez pas la date-limite de conservation.
- Il faut que la température dans le congélateur bahut du supermarché soit de 0 °F (-18 °C) ou encore plus basse.
- Utilisez de préférence un sac isotherme pour le transport puis rangez les produits le plus rapidement possible dans le compartiment congélateur.

Congélation de produits frais

Pour congeler les aliments, n'utilisez que des aliments frais et d'un aspect impeccable.

Il faudrait blanchir les légumes avant de les congeler, pour préserver le mieux possible leur valeur nutritive, leur arôme et leur teinte. Il n'est pas nécessaire de blanchir les aubergines, poivrons, courgettes et asperges.

Vous trouverez en librairie toute une bibliographie sur la congélation et le blanchissement.

Remarque :

Veillez à ce que les produits alimentaires à congeler n'entrent pas en contact avec des produits déjà congelés.

- Se prêtent à la congélation :
Pâtisseries, poissons et fruits de mer, viande de boucherie et gibier, volaille, fruits, légumes, herbes culinaires, œufs sans la coque, produits laitiers comme le fromage, le beurre et le fromage blanc, plats pré-cuisinés et restes de plats tels que les soupes, ragouts, la viande et le poisson cuits, les plats aux pommes de terre, les soufflés et mets sucrés.
- Ne se prêtent pas à la congélation :
Variétés de légumes habituellement dégustées crues telles que la salade ou les radis, œufs dans leur coque, raisins, pommes, poires et pêches entières, œufs cuits durs, yaourt, lait caillé, crème acidulée, crème fraîche et mayonnaise.

Emballer les surgelés

L'air ne doit pas pénétrer dans l'emballage pour que les aliments ne perdent pas leur goût ni ne sèchent pas.

1. Placez les aliments dans l'emballage.
2. Presser pour chasser l'air.
3. Obtenez l'emballage hermétiquement.
4. Indiquez sur l'emballage le contenu et la date de congélation.

Emballages adaptés :

Feuilles en plastique, feuilles en polyéthylène, feuilles d'aluminium, boîtes de congélation.

Vous trouverez ces produits dans le commerce spécialisé.

Emballages inadaptés :

Le papier d'emballage, le papier sulfurisé, les feuilles de cellophane, les sacs poubelles et les sacs en plastique ayant déjà servi.

Moyens d'obturation adaptés :

Caoutchoucs, clips en plastique, ficelles, rubans adhésifs résistants au froid, ou assimilés.

Vous pouvez obturer les sachets et les feuilles en polyéthylène au moyen d'une thermosoudeuse.

Durée de conservation des produits surgelés

Elle dépend de la nature des aliments.

Si la température a été réglée sur 0 °F (-18 °C) :

- Poisson, charcuterie, plats pré-cuisinés, pâtisseries : jusqu'à 6 mois
- Fromage, volaille, viande : jusqu'à 8 mois
- Fruits et légumes : jusqu'à 12 mois

Supercongélation

Il faudrait congeler les produits alimentaires à cœur le plus rapidement possible afin de préserver leurs vitamines, leur valeur nutritive, leur aspect et leur goût. Pour qu'il ne se produise pas d'augmentation indésirable de la température lorsque vous rangez des produits alimentaires frais, appuyez sur la touche de supercongélation quelques heures avant de les ranger. 4 à 6 heures suffisent généralement. 24 heures sont nécessaires en cas d'utilisation de la capacité maximale de congélation.

Au bout de 2 jours, l'appareil commute sur la température réglée avant que vous n'activiez la supercongélation.

Allumage

Appuyez sur la touche **SUPER**.

A l'afficheur apparaissent le symbole « SUPER❄ ».



Coupage

Appuyez sur la touche **SUPER**.

Décongélation des produits

Selon la nature et l'utilisation des produits surgelés, vous pouvez choisir entre plusieurs possibilités :

- à la température ambiante,
- dans le réfrigérateur,
- dans le four électrique, avec / sans ventilateur à air chaud,
- dans le micro-ondes.

Remarque :

Ne remettez pas à congeler des produits alimentaires partiellement ou entièrement décongelés. Vous pourrez les recongeler uniquement après les avoir transformés en plats pré-cuisinés (par cuisson ou rôtissage).

Dans ce cas, consommez-les nettement avant la date limite de conservation.

Distributeur de glaçons

Le distributeur de glaçons sert en même temps à les fabriquer.

Dès que la température de congélation réglée est atteinte, le distributeur commence à fabriquer des glaçons. Une fois que le bac à glaçons est plein, la préparation de glaçons cesse automatiquement.



ATTENTION :

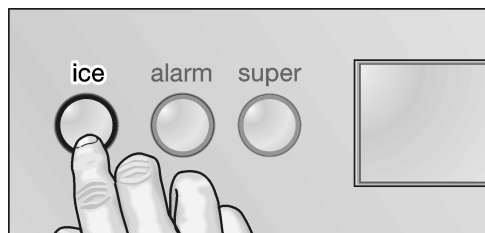
Ne mettez jamais de bouteilles ou produits alimentaires dans le bac à glaçons pour les faire refroidir rapidement. Il risquerait de se bloquer et de s'endommager.

Allumage

Remarque :

Si vous utilisez le distributeur de glaçons pour la première fois ou au bout d'une interruption prolongée, n'utilisez pas, pour des raisons d'hygiène, les glaçons produits le premier jour. Jetez les glaçons et nettoyez le bac à glaçons.

1. Assurez-vous que le bac de glaçons se trouve à sa place et qu'il a enclenché.
2. Appuyez sur la touche **ICE**.
Le symbole du cadenas « ICE » est allumé.



Coupage de l'appareil

Remarque :

Coupez impérativement l'arrivée d'eau à l'appareil quelques heures avant d'éteindre le distributeur de glaçons.

Appuyez sur la touche **ICE**.

Délivrance de glaçons

Tirez le bac à glaçons et sortez les glaçons.

Filtre à eau

⚠ AVERTISSEMENT :

Dans les localités où la qualité de l'eau est douteuse ou insuffisamment connue, n'utilisez pas l'appareil sans avoir intercalé un moyen de désinfection approprié en amont et en aval du dispositif de filtrage.

Vous pouvez, via le service après-vente ou un revendeur spécialisé, vous procurer une cartouche filtrante pour le filtre à particules.

⚠ ATTENTION :

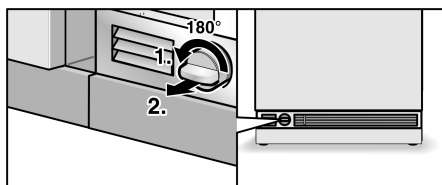
- Après l'incorporation de une nouvelle cartouche filtrante, jetez toujours la glace produite au cours des 24 premières heures consécutives à l'allumage du distributeur de glaçons.
- Si les glaçons n'ont pas été utilisés pendant une période prolongée, jetez tous les glaçons présents dans le bac du distributeur de glaçons et faites de même avec les glaçons produits au cours des 24 heures suivantes.
- Si l'appareil ou les glaçons n'ont pas été utilisés activement pendant plusieurs semaines ou plusieurs mois, ou si les glaçons ont un goût ou une odeur désagréable, changez la cartouche filtrante.
- Les inclusions d'eau dans le système peuvent provoquer une sortie d'eau et l'éjection de la cartouche filtrante. Prudence au moment de l'enlever.
- Il faut changer la cartouche filtrante au moins tous les 6 mois.

Consignes importantes concernant le filtre à eau

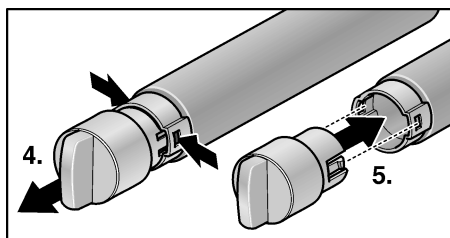
Après utilisation, le circuit d'eau se trouve légèrement sous pression. Prudence lorsque vous retirez la cartouche filtrante !

Changement de cartouche filtrante

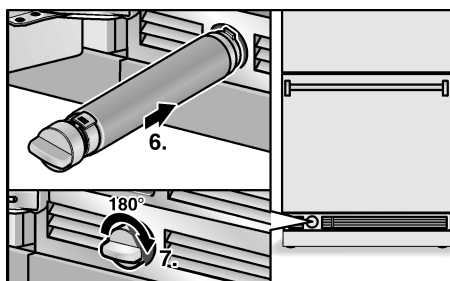
1. Contre le socle de l'appareil, tournez le cache du filtre à 90°-180° en sens inverse des aiguilles d'une montre.
2. Extrayez la cartouche filtrante.



3. Sortez la cartouche filtrante de son emballage et enlevez le cache de protection.
4. Retirez la coiffe de la cartouche filtrante usagée.
5. Posez la coiffe sur la cartouche filtrante neuve.



6. Introduisez la cartouche filtrante avec son cache en position horizontale, jusqu'à la butée, dans l'orifice situé contre le socle de l'appareil.
7. Vissez la cartouche filtrante à 90°-180° dans le sens des aiguilles d'une montre.



8. Faites couler l'eau présente dans la cartouche filtrante usagée. Vous pouvez ensuite la mettre à la poubelle des déchets domestiques.

Remarque :

L'appareil est utilisable sans filtre à eau. Si vous choisissez cette option, remplacez le filtre à eau par une cartouche à particules. Dans ce cas, il est possible de désactiver l'affichage du filtre pour empêcher qu'il signale une échéance de changement de filtre. Pour acheter une cartouche de rechange pour le filtre à eau, veuillez vous adresser à votre revendeur local ou appeler le 1-800-944-2904.

Fiche des caractéristiques et performances

Pour le modèle de filtre : 9000 077 095

Si utilisation de la cartouche de rechange :
9000 077 104

La conformité de ce modèle avec les normes ANSI / NSF 42 & 53 a été vérifiée par NSF International ; il a été certifié capable de réduire les teneurs en substances indiquées ci-après. La teneur de l'eau en substances indiquées, dissoutes dedans et capables de pénétrer dans le circuit, a été abaissée à une valeur inférieure ou égale au seuil admis par NSF / ANSI 42 et 53 pour l'eau sortant de l'appareil.

Substance	Moyenne dans le flux entrant	Concentration dans le flux entrant	Concentration dans les eaux usées	Réduction moyenne en % Réduction en %	Concentration max. admissible dans les eaux usées	Max. dans les eaux usées	Réduction moyenne en %	Test NSF
Cystes *	166.500	min. 50 000 l	1	99,99	99,95	1	99,99	511077-03
Classe de particules 1 Taille des particules > 0,5 à <1,0 µm	5.700.000	Au minimum 10.000 particules / ml	30.583	99,52	> 85 %	69.000	98,9	511079-03
Goût de chlore et turbidité	1,9	2,0 mg/l + - 10 %	0,05	97,3	> 50 %	0,06	96,84	511081-03

* Sur la base d'une utilisation d'oocystes de cryptosporium parvum.

Directives d'utilisation / paramètres de l'alimentation en eau :

Pression de l'eau	30 - 120 psi (207 - 827 kPa)
Température de l'eau *	33 °F - 100 °F (0,6 °C - 38 °C)
Vitesse d'écoulement	0,75 gpm (2,83 l/min.)

- Il faut installer et exploiter le système conformément aux directives recommandées par le fabricant.
- Il faut changer le filtre tous les 6 à 9 mois.
- Rincez un filtre neuf de part en part pendant 5 minutes.
- Des détails avancés se trouvent sur la carte de garantie.

Remarque :

Bien que les tests se déroulent dans des conditions de laboratoire standard, le rendement réel peut différer.



L'aptitude du système à réduire la teneur en cystes et en agents de turbidité conformément à la norme ANSI / NSF 53, et à réduire le goût et l'odeur de chlore conformément à la norme ANSI / NSF 42, a été testée sur le modèle 9000 077 095 par NSF International ; le système a été certifié.

Classe nominale de particules : I

Durée nominale d'utilisation :

739,68 gallons (2800 litres)

Si l'eau de votre localité est nocive au plan microbiologique ou si vous n'en connaissez pas la qualité, IL NE FAUT pas utiliser ce produit sans procéder à une désinfection appropriée en amont et en aval du raccordement du système. Il est permis d'utiliser un circuit certifié réducteur de kystes pour traiter l'eau désinfectée contenant des kystes filtrables dans certaines circonstances.

L'ensemble du système (sauf la cartouche à jeter) est couvert par une garantie d'un an. La garantie offerte sur les cartouches à jeter ne couvre que les vices de matière et de fabrication. La durée d'exploitation des cartouches à jeter dépendant des paramètres de l'eau dans votre localité, nous ne pouvons pas la garantir.

Vous trouverez des informations avancées sur les prix des pièces de rechange auprès du revendeur de votre appareil, ou du représentant vendant de telles pièces.

Fabriqué par :

Cuno Engineered Products
1000 Apollo Road
Eagan, MN 55121-2240 U.S.A.

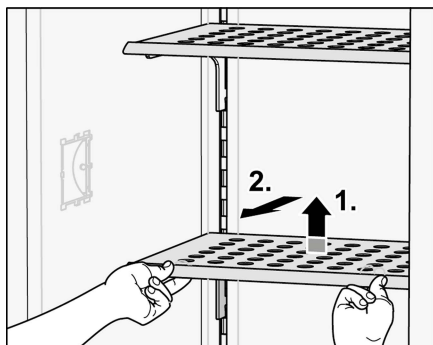
Équipement

Retirer les clayettes

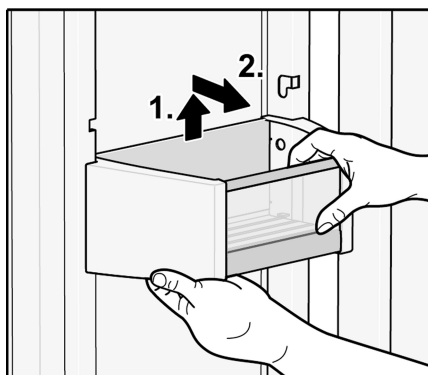
Vous pouvez modifier suivant besoin l'agencement des clayettes du compartiment intérieur et l'agencement des récipients en contre-porte.

Soulevez les clayettes et sortez-les.

Clayettes dans le compartiment intérieur



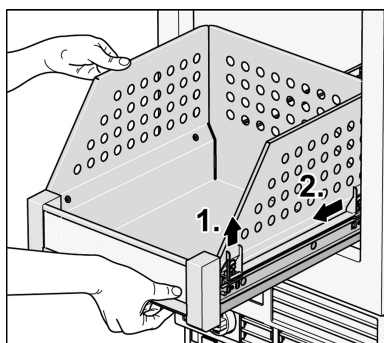
Rangements en contre-porte



Bacs dans le compartiment congélateur

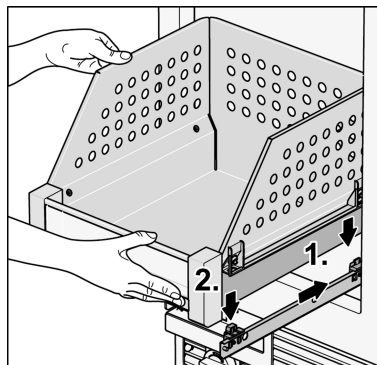
Pour nettoyer les bacs, il est possible de les sortir du compartiment congélateur.

1. Soulevez légèrement le bac et retirez-le.



2. Soulevez légèrement l'avant du bac et introduisez-le dans les coulissants.

3. Abaissez le bac et poussez-le en arrière.



Arrêt et remisage de l'appareil

Coupure de l'appareil

Appuyez sur la touche **POWER**.

Débranchez la fiche mâle de la prise de courant.

Remisage de l'appareil

Si l'appareil doit rester longtemps sans servir :

1. Coupez impérativement l'arrivée d'eau à l'appareil quelques heures avant de l'éteindre.
2. Sortez tous les produits alimentaires de l'appareil.
3. Éteignez l'appareil.
4. Déconnectez la fiche mâle du réseau ou ramenez le disjoncteur en position éteinte.
5. Videz le bac à glaçons et nettoyez-le (voir le chapitre « Nettoyage de l'appareil »).
6. Nettoyez l'intérieur de l'appareil (voir le chapitre « Nettoyage de l'appareil »).
7. Laissez les portes de l'appareil ouvertes pour empêcher l'apparition d'odeurs.

Dégivrer l'appareil

Le dégivrage a lieu automatiquement.

Nettoyage de l'appareil



AVERTISSEMENT :

Ne nettoyez jamais l'intérieur de l'appareil avec un nettoyeur à vapeur !



ATTENTION :

- N'utilisez aucun produit de nettoyage contenant du sable, du chlorure ou de l'acide, ni aucun solvant.
- N'utilisez jamais d'éponges abrasives ou susceptibles de rayer. Des zones corrodées pourraient apparaître sur les surfaces métalliques.
- Ne nettoyez jamais les clayettes et les bacs au lave-vaisselle. Ces pièces pourraient se déformer !

Procédure

1. Éteignez l'appareil avant de le nettoyer.
2. Débranchez la fiche mâle du secteur ou ramenez le disjoncteur en position éteinte !
3. Sortez les produits congelés et rangez-les dans un endroit frais. Posez les accumulateurs de froid (si fournis avec l'appareil) sur ces produits.
4. Ne nettoyez l'appareil qu'avec un chiffon doux, de l'eau tiède et du produit à vaisselle présentant un pH neutre. L'eau de nettoyage ne doit pas pénétrer dans l'éclairage.
5. N'essuyez le joint de porte qu'avec un chiffon et de l'eau propre ; ensuite, séchez-le à fond.
6. Après le nettoyage : Rebranchez la fiche mâle de l'appareil puis réenclenchez-le.
7. Rangez à nouveau les produits surgelés dans les tiroirs.

Équipement

Pour nettoyer, il est possible de retirer toutes les pièces variables de l'appareil (voir le chapitre « Équipement »).

Nettoyer le bac à glaçons

Si vous n'avez pas prélevé de glaçons pendant une période prolongée, ceux déjà confectionnés rapetissent, perdent leur fraîcheur et collent entre eux. Pour cette raison, il faudrait nettoyer le bac à glaçons régulièrement.



ATTENTION :

Un bac rempli de glaçons est lourd !

1. Extrayez le bac à glaçons.
2. Sortez le bac à glaçons, videz-le et nettoyez-le à l'eau tiède.
3. Essuyez bien le bac avec un essuie-tout sec pour que les nouveaux glaçons ne viennent pas coller contre la surface mouillée.
4. Mis en place du bac à glaçons.
La production de glaçons continue.

Éclairage (LED)

Votre appareil est équipé d'un éclairage par LED ne demandant pas d'entretien.

Les réparations de cet éclairage sont exclusivement réservées au service après-vente ou à des spécialistes autorisés.

Economies d'énergie

- Placez l'appareil dans un local sec et aérable. Veillez à ce que l'appareil ne soit pas directement exposé aux rayons solaires et qu'il ne se trouve pas à proximité d'une source de chaleur (par ex. radiateur, cuisinière).
Utilisez le cas échéant une plaque isolante.
- N'obstruez pas les grilles d'aération de l'appareil.
- Attendez que les plats chauds aient refroidi avant de les ranger dans le compartiment congélateur !
- Rangez les produits surgelés dans le compartiment réfrigérateur pour qu'ils dégèlent. Utilisez l'excédent de froid pour refroidir les aliments.
- N'ouvrez la porte de l'appareil que le plus brièvement possible !

Bruits de fonctionnement

Bruits parfaitement normaux

Bourdonnement sourd

Les moteurs tournent (par ex. groupes frigorifiques, ventilateur).

Clapotis, sifflement léger ou gargouillis

Le fluide frigorigène circule dans les tubulures, ou présence d'eau dans le distributeur de glaçons.

Cliquetis

Le moteur, les interrupteurs ou les électrovannes s'allument / s'éteignent.

Bruit de chute

Les glaçons finis de se solidifier chutent du distributeur dans le bac.

Éviter la génération de bruits

L'appareil ne repose pas d'aplomb

Veillez mettre l'appareil d'aplomb à l'aide d'un niveau à bulle. Ajustez ensuite l'horizontalité par les pieds à vis ou placez un objet dessous.

L'appareil touche quelque chose

Eloignez l'appareil de meubles ou appareils voisins.

Les bacs ou surfaces de rangement vacillent ou se coincent

Vérifiez les pièces amovibles puis remettez-les en place correctement.

Des bouteilles ou récipients se touchent

Eloignez légèrement les bouteilles ou récipients les uns des autres.

Avant d'appeler le service après-vente

Avant d'appeler le service après-vente (SAV) :

Vérifiez svp si vous ne pouvez pas remédier vous-même au dérangement à l'aide des instructions qui suivent.

Vous éviterez des dépenses inutiles car le déplacement du technicien du SAV vous sera facturé même pendant la période de garantie.

Appareil

Dérangement	Cause possible	Remède
L'appareil ne refroidit pas.	L'appareil est éteint.	Appuyez sur la touche POWER .
L'éclairage ne fonctionne pas.	Coupure de courant.	Vérifiez la présence de courant.
Affichage éteint.	Le fusible / disjoncteur a été retiré / se trouve en position éteinte.	Vérifiez le fusible / disjoncteur.
	Fiche mâle incorrectement branchée dans la prise de courant.	Vérifiez si la fiche mâle est bien branchée dans la prise de courant.
Le groupe frigorifique s'enclenche de plus en plus souvent et longtemps.	Vous avez ouvert fréquemment l'appareil.	N'ouvrez pas l'appareil inutilement.
	Les orifices d'apport et d'évacuation d'air sont recouverts par des objets faisant obstacle.	Enlevez ces obstacles.
	Vous venez de ranger une assez grande quantité d'aliments frais.	Activez la supercongélation.
L'éclairage (LED) ne fonctionne pas.	L'éclairage par LED est défectueux.	Appelez le service après-vente.
	L'interrupteur de l'éclairage est coincé.	Vérifiez s'il peut s'enfoncer.
La zone d'affichage contient un « E.. ».	L'électronique a détecté un défaut.	Appelez le service après-vente.
La zone d'affichage contient un « LOWPOWER ».	La tension du secteur descend actuellement en dessous de la tension limite admissible.	Si la tension du secteur revient sur la valeur prescrite, le message d'avertissement s'éteint. Si ce message d'avertissement persiste, prévenez votre compagnie distributrice d'électricité.
La zone d'affichage contient un « HIGHVOLT ».	La tension du secteur dépasse la tension limite admissible.	Si la tension du secteur revient sur la valeur prescrite, le message d'avertissement s'éteint. Si ce message d'avertissement persiste, prévenez votre compagnie distributrice d'électricité.

Distributeur de glaçons

Dérangement	Cause possible	Remède
Le distributeur de glaçons ne fonctionne pas.	Le distributeur de glaçons n'est pas raccordé à l'alimentation électrique.	Appelez le service après-vente.
	Le distributeur de glaçons ne reçoit pas d'eau fraîche.	Assurez-vous que le raccordement à l'eau a été correctement réalisé.
	La température dans le compartiment congélateur est trop élevée.	Vérifiez la température du compartiment congélateur et réglez-la le cas échéant sur une valeur plus basse.

Dérangement	Cause possible	Remède
Le distributeur de glaçons n'en fabrique pas suffisamment ou les glaçons sont difformes.	Il y a peu de temps que vous avez allumé l'appareil ou le distributeur de glaçons.	Il faut environ 24 heures pour que la production de glaçons commence.
	Vous venez de prélever une grande quantité de glaçons.	Le bac à glaçons tarde environ 24 heures à se remplir de nouveau.
	La pression de l'eau est basse.	Ne raccordez l'appareil qu'à de l'eau débitée à la pression prescrite (voir le chapitre « Branchement de l'appareil », section « Branchement de l'eau »).
	La cartouche filtrante est bloquée ou doit être remplacée.	Changez la cartouche filtrante.
	La température dans le compartiment congélateur est trop élevée.	Vérifiez la température du compartiment congélateur et réglez-la le cas échéant sur une valeur plus basse.
Le distributeur de glaçons ne fabrique pas de glaçons.	Distributeur de glaçons éteint.	Allumez le distributeur de glaçons par le bandeau de commande.
	L'appareil n'est pas correctement alimenté en eau.	Contactez l'installateur ou votre compagnie distributrice d'eau.
	La conduite d'arrivée d'eau présente des pliures.	Coupez l'arrivée d'eau par la vanne de fermeture. Supprimez les pliures ou changez la conduite.
	La pression de l'eau est basse.	Ne raccordez l'appareil qu'à de l'eau débitée à la pression prescrite (voir le chapitre « Branchement de l'appareil », section « Branchement de l'eau »).
	La température régnant dans le compartiment congélateur est trop élevée.	Vérifiez la température du compartiment congélateur et réglez-la le cas échéant sur une valeur un peu plus basse.
	Bac à glaçons pas correctement mis en place.	Vérifiez sa position ; le cas échéant, remettez-le une nouvelle fois en place.
	La vanne de fermeture montée n'est pas la bonne.	Des vannes erronées peuvent réduire excessivement la pression de l'eau et provoquer des dégâts sur l'appareil.
De la glace se forme dans le flexible alimentant le distributeur de glaçons en eau.	La pression de l'eau est basse.	Ne raccordez l'appareil qu'à de l'eau débitée à la pression prescrite (voir le chapitre « Branchement de l'appareil », section « Branchement de l'eau »).
	Vanne de fermeture pas correctement ouverte.	Ouvrez cette vanne en grand.
De l'eau sort de l'appareil.	Fuite dans le flexible de raccordement d'eau.	Faites remplacer le flexible par une pièce d'origine du fabricant.
	La vanne de fermeture montée n'est pas la bonne.	Des vannes erronées peuvent réduire excessivement la pression de l'eau et provoquer des dégâts sur l'appareil.

Service après-vente

Avant d'appeler le service après-vente, veuillez vous référer au chapitre « Avant d'appeler le service après-vente ».

Après vérification conformément au chapitre « Avant d'appeler le service après-vente », il est possible d'appeler le service après-vente, il est possible d'appeler en plus, gratuitement, le Bosch Customer Interaction Center au 1-800-944-2904 depuis tout le territoire des USA.

Au Canada, veuillez vous adresser à votre SAV Bosch ou composer le numéro 1-800-944-2904.

Si vous avez besoin que le SAV vous aide, veuillez avant de l'appeler noter les informations suivantes relatives à votre réfrigérateur congélateur afin de les avoir à portée de main et que le SAV vous aide de manière plus ciblée.

Nom du revendeur : _____

Adresse : _____

N° de téléphone : _____

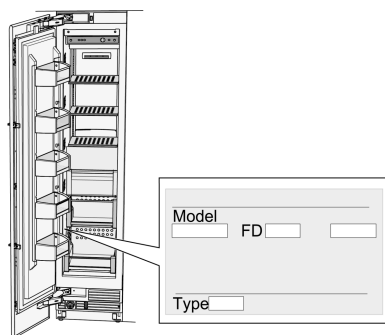
Date d'achat : _____

Numéro du modèle : _____

Numéro de fabrication (FD) : _____

Numéro de série : _____

Type : _____



es Índice

Consejos y advertencias de seguridad	39	Congelar alimentos frescos.....	48
Definición	39	Envasado de los alimentos.....	48
AVISO: Antes de poner el aparato		Calendario de congelación	48
en funcionamiento.....	39	Supercongelación.....	49
Seguridad técnica	39	Conexión.....	49
Durante el uso.....	39	Desconexión	49
Niños en el hogar.....	40	Descongelar los alimentos.....	49
Observaciones de carácter general	40	Fabricador de hielo	49
Propuesta 65 de Advertencias del Estado de		Activar la función.....	49
California	40	Desconexión y paro de la unidad.....	49
Consejos para la eliminación del embalaje y el		Filtro de agua.....	50
desguace de los aparatos usados.....	40	Advertencias importantes sobre el filtro del agua.	50
♻️ Consejos para la eliminación del embalaje		Sustituir el filtro de cartucho	50
de los aparatos.....	40	Especificaciones técnicas y prestaciones	51
♻️ Desguace de los aparatos usados	40	Equipamiento.....	52
Instalación del aparato.....	41	Retirar los estantes.....	52
Transporte.....	41	Recipiente en el compartimento de congelación.	52
Sitio de emplazamiento.....	41	Desconexión y paro del aparato.....	53
Ventilación	41	Desconectar el aparato.....	53
Volumen de suministro	41	Paro del aparato.....	53
Conectar el aparato.....	41	Al desescarchar el aparato.....	53
Conexión del aparato a la red de agua.....	42	Limpieza del aparato.....	53
Conexión a la red eléctrica	42	Modo de proceder	53
Familiarizándose con la unidad	43	Equipamiento	53
Elementos de mando	44	Iluminación interior (LED).....	54
Conectar el aparato.....	45	Consejos prácticos para ahorrar energía eléctrica....	54
Advertencias relativas al funcionamiento		Ruidos de funcionamiento del aparato	54
del aparato	45	Ruidos de funcionamiento normales del aparato..	54
Ajuste del idioma	45	Ruidos que se pueden evitar fácilmente.....	54
Ajustar la magnitud de la temperatura	45	Antes de llamar para pedir servicio técnico.....	55
Ajustar la temperatura.....	45	Aparato.....	55
Compartimento de congelación	45	Fabricador de hielo.....	55
Funciones especiales.....	45	Servicio de Asistencia Técnica	57
Modo «Configuración»	45		
Modo «Vacaciones».....	46		
Modo «Sabbath».....	46		
Modalidad de ahorro energético.....	46		
Función alarma.....	47		
Alarma Puerta	47		
Alarma de temperatura	47		
Desactivar la alarma.....	47		
Compartimento de congelación.....	47		
El compartimento de congelación es adecuado ..	47		
Congelar y guardar alimentos.....	48		
Puntos a tener en cuenta al comprar alimentos			
ultracongelados.....	48		

Consejos y advertencias de seguridad

¡LEA Y GUARDE ESTAS INSTRUCCIONES!

Definición

AVISO:

Esto indica que la consecuencia en caso de incumplimiento puede ser la muerte o lesiones graves.

ATENCIÓN:

Esto indica que en caso de incumplimiento, la consecuencia pueden ser lesiones leves o de mediana gravedad.

AVISO: Antes de poner el aparato en funcionamiento

¡Lea detenidamente las instrucciones de uso y de montaje! Contienen información importante sobre la instalación, el uso y el mantenimiento del aparato. El fabricante no se hace responsable si las instrucciones de uso y advertencias no se observan correctamente. Guarde toda la información para consultas posteriores o para el próximo propietario.

Seguridad técnica

En caso de resultar dañado el cable de conexión del aparato y tener que sustituirlo, estos trabajos sólo podrán ser ejecutados por electricistas, técnicos del Servicio de Asistencia Técnica Oficial de la marca o personas con una cualificación profesional similar. La instalación o reparación efectuadas de modo erróneo o incorrecto pueden implicar serios peligros para el usuario.

Las reparaciones que fuera necesario efectuar sólo podrán ser ejecutadas por electricistas, técnicos del Servicio de Asistencia Técnica Oficial de la marca o personas con una cualificación profesional similar. Sólo podrán utilizarse piezas originales del fabricante. Sólo en el caso de utilizar piezas originales del fabricante, éste garantiza que cumplan las exigencias de seguridad planteadas.

No utilice nunca tomas de corriente múltiples ni cables de prolongación o adaptadores.

El aparato viene con un cable de alimentación de 3 hilos según la certificación UL (Underwriters Laboratories, dispositivos de conexión certificados según la norma norteamericana y canadiense).

Bajo ninguna circunstancia se debe cortar o quitar el tercero (es decir, la tierra) del cable de conexión.

El aparato requiere de una tomacorriente de 3 polos. La tomacorriente solo debe ser conectada por un electricista calificado.

.Si se dispone de una tomacorriente de pared estándar de 2 polos, es responsabilidad personal del cliente reemplazarla por una tomacorriente de pared de 3 polos con tomacorriente de acuerdo a las indicaciones. No utilizar adaptadores para la clavija.

Durante el uso

- No usar aparatos eléctricos en el interior de la unidad (por ejemplo calefacciones, heladoras, etc.).
¡peligro de explosión!
- ¡No utilizar ningún tipo de limpiadora de vapor para desescarchar o limpiar la unidad! El vapor puede acceder a piezas eléctricas, provocando un cortocircuito.
¡Peligro de descargas eléctricas!
- ¡No rascar el hielo o la escarcha con ayuda de objetos metálicos puntiagudos o cortantes! Los conductos del agente refrigerante del compartimento de congelación podrían resultar dañados. El agente refrigerante puede salpicar, encendiéndose o causando lesiones en los ojos.
- No guardar productos combinados con agentes o gases propelentes (por ejemplo sprays) ni materias explosivas en el aparato.
¡Peligro de explosión!
- No usar los zócalos, piezas extensibles, puertas, etc. para pararse encima o como apoyo.
- Antes de desescarchar o limpiar el aparato, extraer el enchufe de conexión de la toma de corriente de la red o desconectar el fusible. Tirar del enchufe, no del cable de conexión.
- Almacenar el alcohol de alta graduación solamente en recipientes herméticos y parado.
- No ensuciar las partes de material plástico y las juntas de las puertas con aceites o grasas. En caso contrario, las piezas de material plástico y las juntas se vuelven porosas.
- No obstruir ni cubrir nunca las rejillas de ventilación y aireación del aparato.
- **Evitar riesgos para niños y personas de riesgo:** Existen peligros para niños, personas que presenten deficiencias corporales, psíquicas o bien que presenten deficiencias en su capacidad de percepción o bien personas que no dispongan del conocimientos suficiente respecto del manejo seguro del equipo.
Asegurarse que los niños y las personas de riesgo hayan comprendido los peligros existentes.
Una persona responsable de la seguridad debe supervisar y guiar a los niños y a personas de riesgo durante el uso del equipo.
El equipo no debe ser utilizado por niños menores que 8 años.
Supervisar los niños durante las tareas de limpieza y mantenimiento.
Nunca dejar que los niños jueguen con el equipo.
- Nunca almacenar líquidos (especialmente que contengan dióxido de carbono) contenidos en botellas o latas en el compartimento congelador.
¡Las botellas y las latas pueden reventar!
- "No introducir en la boca directamente los helados, polos o cubitos de hielo extraídos del congelador.
¡Peligro de quemaduras!

- ¡Evitar el contacto prolongado de las manos con los alimentos congelados, las capas de hielo o escarcha, o los tubos del evaporador!
¡Peligro de quemaduras!

Niños en el hogar

- No dejar el embalaje o sus partes a los niños. ¡Existe peligro de asfixia a causa de los cartones y las láminas de plástico!
- ¡El aparato no es un juguete para niños!
- En aparatos con cierre de puerta:
¡Guarde la llave fuera del alcance de los niños!

Observaciones de carácter general

El aparato es adecuado

- para congelar alimentos,
- para la preparación de cubitos de hielo,
- para el suministro de agua potable.

El presente aparato ha sido diseñado para el uso doméstico en el hogar particular o en su entorno. La estanqueidad del circuito de refrigeración viene verificada de fábrica.

Este aparato está previsto para ser utilizado a una altura máxima de 2,000 metros sobre el nivel del mar.

Propuesta 65 de Advertencias del Estado de California

AVISO:

Este producto contiene sustancias químicas que en el Estado de California, se conocen como causantes de cáncer, defectos de nacimiento u otro daño reproductivo.

Consejos para la eliminación del embalaje y el desguace de los aparatos usados

Consejos para la eliminación del embalaje de los aparatos

El embalaje protege su aparato contra posibles daños durante el transporte. Todos los materiales de embalaje utilizados son respetuosos con el medio ambiente y pueden ser reciclados ó reutilizados. Contribuya activamente a la protección del medio ambiente insistiendo en unos métodos de eliminación y recuperación de los materiales de embalaje respetuosos con el medio ambiente.

Su Distribuidor ó Administración local le informará gustosamente sobre las vías y posibilidades más eficaces y actuales para la eliminación respetuosa con el medio ambiente de estos materiales.

Desguace de los aparatos usados

Los aparatos usados incorporan materiales valiosos que se pueden recuperar. Reciclando pueden recuperarse materias primas valiosas.

AVISO:

1. Extraer el enchufe de conexión del aparato de la toma de corriente de la red eléctrica.
2. Corte el cable de conexión del aparato y retírelo conjuntamente con el enchufe.
3. No retirar los soportes y baldas del aparato a fin de no facilitar a los niños el acceso al interior de éste.
4. No permita que los niños jueguen con los aparatos inservibles. **¡Puede causar asfixia!**

Todos los aparatos frigoríficos contienen gases aislantes y refrigerantes, que exigen un tratamiento y eliminación específicos. Preste atención a que las tuberías del circuito de frío de su aparato no sufran daños ni desperfectos antes de haberlo entregado en el correspondiente Centro Oficial de recogida.

Instalación del aparato

Encargar la instalación y conexión del aparato a la red eléctrica a un técnico especialista, de conformidad a las presentes instrucciones de montaje.



AVISO:

No instale el electrodoméstico:

- En exteriores.
- En un ambiente sujeto a goteo de agua.
- En habitaciones con riesgo de escarcha.

Transporte

Los aparatos son pesados y tienen que asegurarse durante el transporte y montaje.

A causa del elevado peso y las dimensiones del aparato y con objeto de evitar o reducir a un mínimo los riesgos de daños o lesiones personales o desperfectos en el aparato, se requieren como mínimo dos personas para garantizar una instalación segura del mismo.

Sitio de emplazamiento

El Sitio más adecuado para el emplazamiento del aparato es una habitación seca, dotada de una buena ventilación. El aparato no debe instalarse de forma que reciba directamente los rayos del sol, ni tampoco encontrarse próximo a focos activos de calor tales como cocinas, calefacciones, etc. No obstante, si esto último fuera inevitable, se habrá de proteger la unidad con un panel aislante adecuado, o bien observar las siguientes distancias mínimas de separación con respecto a la fuente de calor en cuestión:

- Cocinas eléctricas y de gas, 1,2" (3 cm).
- Cocinas de gas-oil o de carbón, 12" (30 cm).

El suelo en el Sitio de emplazamiento del aparato deberá poseer una suficiente capacidad de sustentación. En caso necesario deberá reforzarse adecuadamente. Para asegurar el funcionamiento correcto del dispensador de hielo, el aparato tiene que encontrarse en posición vertical.

Ventilación

La ventilación y aireación del compresor sólo tiene lugar a través de la rejilla de ventilación del zócalo. No cubrir la rejilla de ventilación ni colocar objetos delante de la misma. De lo contrario, el aparato tendrá que aumentar su rendimiento, provocando un consumo de energía eléctrica elevado e inútil.

Volumen de suministro

Verifique que las piezas no presentan daños ni desperfectos debidos al transporte tras desembalarlas. En caso de constatar daños ó desperfectos deberá dirigirse al distribuidor en donde adquirió su electrodoméstico o al Servicio de Asistencia Técnica Oficial de la marca.

El envío consta de los siguientes elementos:

- Aparato integrable
- Equipamiento (según modelo)
- Instrucciones de uso
- Instrucciones de montaje
- Cuaderno de mantenimiento
- Suplemento de la garantía
- Informaciones sobre el consumo de energía y los ruidos del aparato
- Bolsa con material de montaje.

Conectar el aparato

Encarga la instalación y conexión del aparato a un especialista del ramo, de conformidad a las presentes instrucciones de montaje.

Retirar los seguros de transporte de las bandejas y baldas de vidrio (tapones de plástico) sólo una vez que se ha instalado el aparato en su emplazamiento definitivo.

Efectuar la conexión del aparato a la red de agua ANTES que a la red eléctrica.

Observar estrictamente las normas nacionales vigentes del sector, así como las normas y disposiciones de las empresas locales de abastecimiento de electricidad y agua.

Tras colocar el aparato en su emplazamiento definitivo deberá dejarse reposar éste durante aprox. una hora antes de ponerlo en funcionamiento. Durante el transporte del aparato puede ocurrir que el aceite contenido en el compresor penetre en el circuito del frío.

Limpiar el interior del aparato antes de su puesta en funcionamiento inicial (véase el capítulo «Limpieza el aparato»).

Conexión del aparato a la red de agua

ATENCION:

Conectar el aparato sólo a una tubería de alimentación de agua potable:

- Mínima presión de red: 0,2 MPa (2 bares)
- Máxima presión de red: 0,8 MPa (8 bares)
- En caso de que la presión sea superior a 0,8 MPa (8 bares): un limitador de presión adecuado entre la conexión a la red de agua potable y el juego de tubos flexibles.

La conexión a la red de agua sólo puede ser efectuada por un fontanero especialista, de conformidad a las normas y disposiciones de la empresa local de abastecimiento de agua.

El funcionamiento del dispensador automático de hielo requiere la conexión a una tubería de alimentación de agua fría. La presión de la red de agua deberá ser de 29 a 116 p.s.i. (2,0 a 8,0 bares). La instalación deberá cumplir las normas y disposiciones locales sobre fontanería.

En la tubería de alimentación de agua fría deberá montarse un dispositivo (válvula) de bloqueo anti-retorno.

A válvula de bloqueo no deberá estar situada detrás del aparato. Se aconseja situar la válvula de bloqueo bien junto al aparato, bien en cualquier otro lugar perfecta y libremente accesible.

Al realizar la instalación de la conexión a la red de agua deberán observarse las medidas y cotas de instalación prescritas.

Para la conexión del aparato a la red pública de agua potable sólo se podrán utilizar las tuberías específicas aptas para la red de agua potable, debiéndose observar estrictamente las normas nacionales vigentes, así como las disposiciones de la empresa local de abastecimiento de agua.

Conexión a la red eléctrica

AVISO: Peligro de descarga eléctrica

Conecte el aparato sólo a una toma de corriente tripolar con toma de tierra. No quitar nunca la fase de toma de tierra. No utilizar adaptadores. No utilizar cables de prolongación.

AVISO: Peligro de descarga eléctrica

La conexión incorrecta del aparato puede ser causa de muerte, incendios o descargas eléctricas. En caso de una conexión incorrecta del conductor de protección pueden producirse descargas eléctricas. Si tiene dudas respecto a que la conexión a tierra del aparato sea la correcta, deje que un electricista calificado o un técnico de servicio revise el aparato.

AVISO: Peligro de descarga eléctrica

Si la longitud del cable de conexión a la red eléctrica no es suficiente, no utilice nunca tomas de corriente múltiples o cables de prolongación. En su lugar, póngase en contacto con el servicio al cliente para examinar alternativas.

Para conectar este aparato se requiere de una toma de corriente instalada de forma permanente.


La toma de corriente deberá encontrarse cerca del aparato y también estar fácilmente accesible después de la instalación del mismo.

El aparato corresponde al tipo de protección I. Conecte el aparato a una toma de corriente instalada conforme a las prescripciones. Conforme a las prescripciones significa: con un conductor de protección, 110 V - 120 V/60Hz de corriente alterna. La toma de corriente debe estar protegida con un fusible de 10 - 16 A.

El aparato se entrega con un cable de conexión a la red eléctrica de 3 hilos según la certificación UL. El aparato requiere de una toma de corriente de 3 polos. En este contexto, por favor tenga en cuenta la siguiente tabla:

Aparato	Carga máxima simultánea
Congelador 18"	3,5 amperios

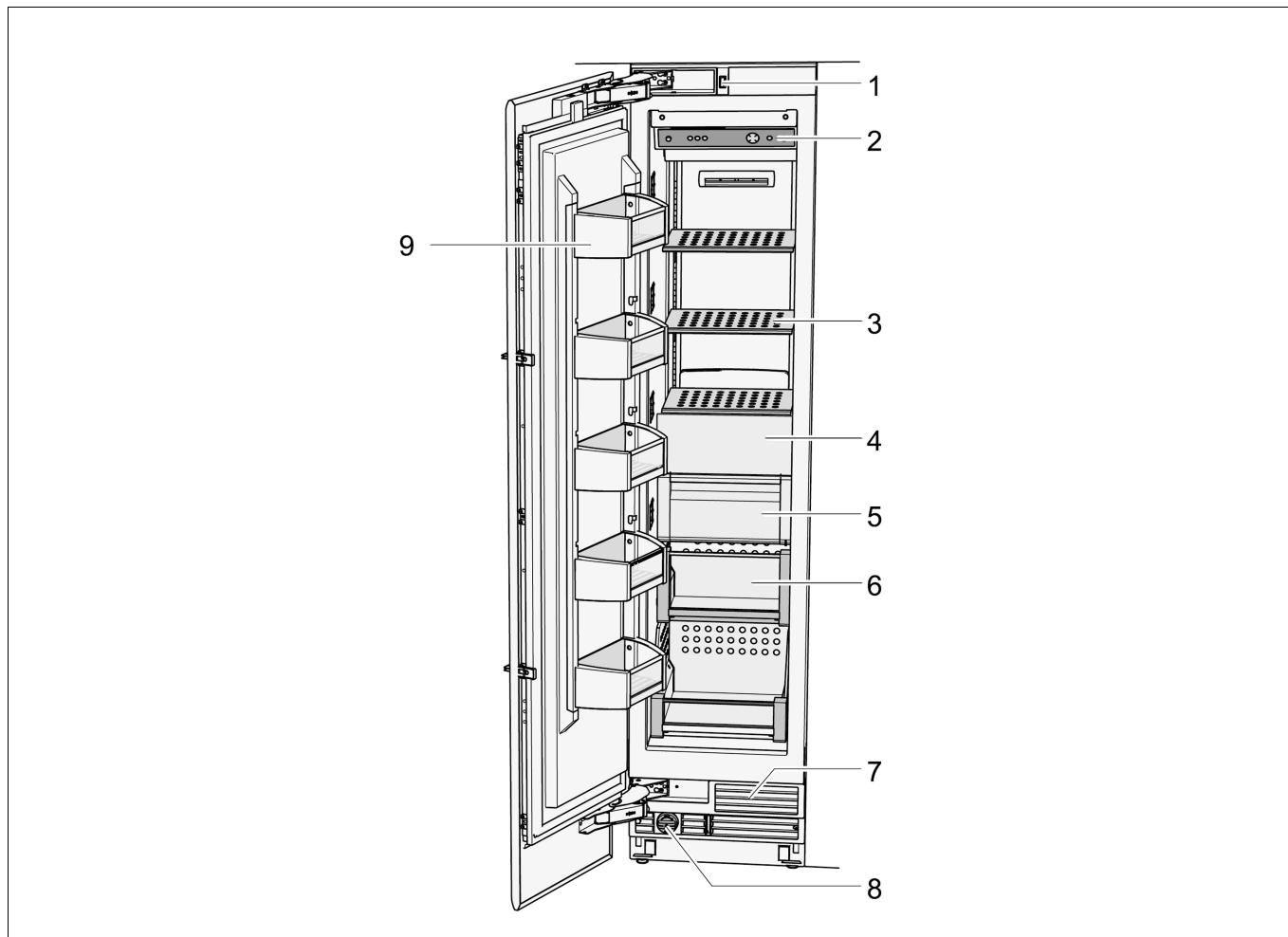
Compruebe en la placa de características, si coinciden la tensión indicada y el tipo de corriente con los valores de su red eléctrica. La posición de la placa de características la encuentra en el capítulo «Servicio al cliente».

 AVISO:
El aparato no puede estar conectado en ningún caso a ahorradores de energía electrónicos. Para el uso de nuestros aparatos se pueden utilizar convertidores sinusoidales o conmutados por la red. Los convertidores conmutados por la red se utilizan en los sistemas fotovoltaicos, que se conectan directamente a la red eléctrica pública. En soluciones aisladas (por ejemplo en buques o refugios de montaña), que no tengan conexión directa a la red eléctrica pública, se deben utilizar convertidores sinusoidales.

Familiarizándose con la unidad

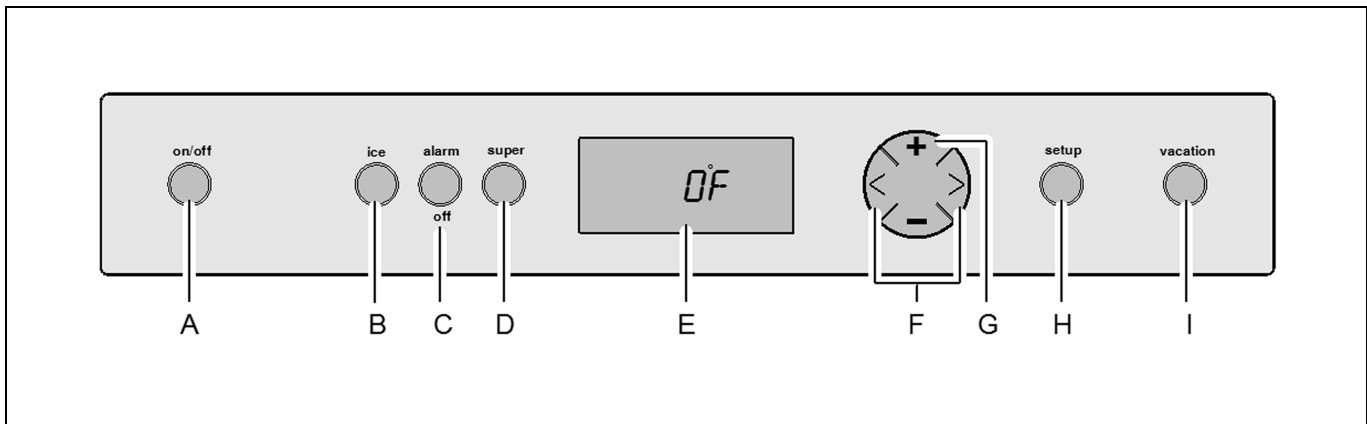
Las presentes instrucciones de uso son válidas para varios modelos de aparato.

Por ello es posible que las ilustraciones muestren detalles y características de equipamiento que no concuerdan con las de su aparato concreto.



- 1 Interruptor de la iluminación interior
- 2 Elementos de mando
- 3 Estante en el compartimento de congelación
- 4 Fabricador de hielo
- 5 Depósito para cubitos de hielo
- 6 Estantes y recipientes
- 7 Ventilación
- 8 Filtro de agua
- 9 Estante de la puerta

Elementos de mando



A Tecla POWER

Para la conexión y desconexión del aparato completo.

B Tecla ICE

Conecta y desconecta el dispensador de hielo. Véase el capítulo «Dispensador de hielo».

C Tecla ALARM

Desactiva la alarma acústica. Véase el capítulo «Función alarma».

D Tecla SUPER

Conecta y desconecta la función de supercongelación. Véase el capítulo «Supercongelación».

E Pantalla de visualización

La temperatura del compartimiento congelador se muestra en el panel de la pantalla. Las funciones especiales activadas se muestran mediante «Símbolos».

Mediante el modo «Configuración» se muestran en pantalla, los menús y las opciones de ajuste disponibles. Véase el capítulo «Funciones especiales».

F Teclas selectoras < >

El ajuste de la temperatura se activa mediante las teclas, véase el capítulo «Ajustar la temperatura».

Para seleccionar un menú en el modo «Configuración», véase el capítulo «Funciones especiales», sección «Modo Configuración».

G Teclas de ajuste + / -

La temperatura se puede modificar mediante las teclas de ajuste. Véase al respecto el capítulo «Ajustar la temperatura».

En el modo «Configuración» se pueden efectuar los siguientes ajustes, véase el capítulo «Funciones especiales».

H Tecla SETUP

Esta tecla activa y pone fin al modo «Configuración». Poniendo fin al modo «Configuración» con la tecla SETUP se memorizan las modificaciones efectuadas.







I Tecla VACATION

Activa y desactiva el modo Vacaciones. Véase el capítulo «Funciones especiales», sección «Modo Vacaciones».

Nota:

Cada pulsación de la tecla es confirmada mediante un sonido acústico en caso de estar activada dicha opción (ON) en el menú «SONIDO» del modo «Configuración».

Símbolos en la pantalla de visualización

	La función Supercongelación está activada, véase el capítulo «Supercongelación».
	El modo «Vacaciones» está activado, véase el capítulo «Funciones especiales».
	Opciones de ajuste del modo «Configuración», véase el capítulo «Funciones especiales».
	Se muestra un aviso, véase el capítulo «Función alarma».
	El dispensador de hielo está conectado, véase el capítulo «Dispensador de hielo».
	Información relativa al filtro de agua, véase el capítulo «Filtro de agua».

Conectar el aparato

Conectar el aparato a través de la tecla **POWER**. El aparato comienza a refrigerar. La iluminación interior está conectada con la puerta abierta.

⚠ **ATENCIÓN:**

Mantener alejadas las manos y los dedos de las aberturas puerta anteriores y posteriores de la unidad congeladora o bien de la gaveta congeladora. **¡Peligro de lesiones para las manos o los dedos!**

Nunca permitir que los niños se suban a la puerta de la unidad congeladora o que jueguen con ella.

Advertencias relativas al funcionamiento del aparato

- Tras conectar el aparato pueden pasar varias horas hasta que se alcance la temperatura ajustada.
- Gracias al sistema automático No Frost, el compartimento de congelación permanece libre de escarcha, no siendo necesario efectuar su desescarchado. El aparato no hay que desescarcharlo.

Ajuste del idioma

El idioma de diálogo se puede seleccionar en función de la tabla de selección que se muestra en el capítulo «Funciones especiales», sección «Modo Configuración».

Para modificar el idioma de diálogo con la pantalla:

1. Pulsar la tecla **SETUP**.
2. Pulsar las teclas selectoras **< ó >**, hasta que aparezca el idioma programado.
3. Pulsar las teclas de ajuste **+ ó -** hasta que aparezca en la pantalla de visualización el idioma deseado.
4. Pulsar la tecla **SETUP** para memorizar los ajustes. En la pantalla de visualización se vuelve a mostrar la temperatura ajustada.

Ajustar la magnitud de la temperatura

La temperatura se puede mostrar en pantalla en grados Fahrenheit (°F) o grados centígrados (°C).

1. Pulsar la tecla **SETUP**.
Se muestra el primer menú (Magnitud de la temperatura).
2. Pulsar las teclas de ajuste **+ ó -** para conmutar entre grados Fahrenheit (°F) y grados centígrados (°C).
3. Pulsar la tecla **SETUP** para memorizar los ajustes. En la pantalla de visualización se vuelve a mostrar la temperatura ajustada.

Ajustar la temperatura

Compartimento de congelación

(ajustable de +7 °F (-14 °C) a -9 °F (-23 °C))
Se aconseja ajustar una temperatura de 0 °F (-18 °C).

1. Pulsar la tecla selectora **<**.
2. Ajustar la temperatura deseada con ayuda de las teclas de ajuste **+** (más calor) ó **-** (más frío).

Funciones especiales

Los siguientes funciones especiales se pueden seleccionar o mostrar:

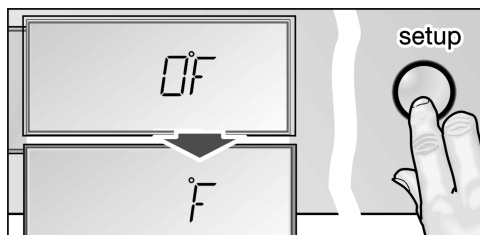
Modo «Configuración»

En el modo «Configuración» puede Vd. realizar sus ajustes individuales.

Activar la función

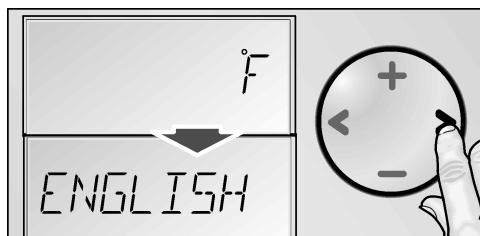
Pulsar la tecla **SETUP**.

En la pantalla de visualización se muestra el primer menú (magnitud de la temperatura).

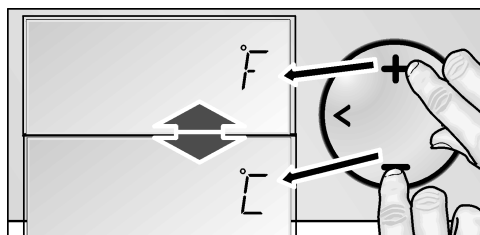


Efectuar los ajustes deseados

1. Activar el Modo «Configuración».
2. Pulsar la tecla selectora **< ó >**.
En la pantalla de visualización se muestra el siguiente menú y su ajuste actual (casi siempre **ON** ó **OFF**).



3. Pulsar la tecla de ajuste **+ ó -**.



4. Presione el botón de selección **< ó >** para guardar y pasar al siguiente menú.

Desconexión y paro de la unidad

Pulsar la tecla **SETUP**.

El sistema memoriza todas las modificaciones efectuadas.

Nota:

En caso de no pulsar una tecla en el plazo de 20 segundos, el modo «Configuración» concluye automáticamente. El sistema memoriza todas las modificaciones efectuadas. En la pantalla de visualización se vuelve a mostrar la temperatura ajustada.

Menús del modo «Configuración»

En el menú «Configuración» se pueden efectuar los siguientes ajustes.

Menú	Posible posición
Magnitud de la temperatura	°C (grados centígrados) °F (grados Fahrenheit)
Idioma	Inglés Francés Español
Sonido acústico	Activado Desactivado
Modalidad de ahorro energético (Función Eco)	Activado Desactivado

Modo «Vacaciones»

Para los largos períodos de ausencia se puede conmutar el aparato al modo de ahorro energético «Vacaciones».

Al activar el modo «Vacaciones» se realizan los siguientes ajustes:

- El aparato trabaja en el modo de ahorro energético.
- La iluminación interior está desactivada.
- Se pone fin a la función «Supercongelación» (en caso de estar activada).

Conexión

Pulsar la tecla **VACATION**.

Se muestra el símbolo «VACATION» en el panel de la pantalla.

Desconexión

Pulsar la tecla **VACATION**.

Los ajustes y las temperaturas programados con anterioridad vuelven a activarse.

Modo «Sabbath»

Al activar el modo «Sabbath» se desconectan las siguientes funciones:

- Fabricador de hielo
- Señal acústica
- Iluminación interior
- Indicaciones en la pantalla de visualización
- Se reduce la intensidad de la iluminación de fondo de la pantalla de visualización
- Las teclas están bloqueadas.

Conexión

1. Pulsar la tecla **SUPER** y mantenerla pulsada.
2. Pulsar la tecla **VACATION**.
3. Mantener pulsada la tecla **SUPER** durante otros tres segundos.

En la pantalla de visualización parpadea el símbolo «VACATION» y se muestra «SABBATH».

Desconexión

Pulsar la tecla **VACATION**.

Los ajustes y las temperaturas programados con anterioridad vuelven a activarse.

Modalidad de ahorro energético

En caso de estar activada a función de ahorro energético (función Eco), el aparato conmuta automáticamente al modo de funcionamiento de ahorro energético. Esta función de ahorro energético viene ajustada de fábrica a fin de reducir el consumo de energía eléctrica. La intensidad de la iluminación de fondo del aparato también se reduce.

Conexión

1. Pulsar la tecla **SETUP**.
2. Pulsar la tecla selectora **>** hasta que aparezcan en pantalla el modo «ECO MODE» y el ajuste actual (**OFF**).
3. Pulsar la tecla de ajuste **+** para modificar los ajustes.
4. Pulsar la tecla **SETUP** para memorizar los ajustes. En la pantalla de visualización aparece la leyenda «ECO».

Desconexión

1. Pulsar la tecla **SETUP**.
2. Pulsar la tecla selectora **>** hasta que aparezcan en pantalla el modo «ECO MODE» y el ajuste actual (**ON**).
3. Pulsar la tecla de ajuste **-** para modificar los ajustes.
4. Pulsar la tecla **SETUP** para memorizar los ajustes.

Función alarma

Alarma Puerta

La alarma puerta se activa cuando una puerta del aparato permanece abierta durante más de tres minutos. La alarma acústica se desactiva cerrando la puerta.

Alarma de temperatura

La alarma de temperatura se activa en caso de registrarse en el compartimento de congelación una temperatura demasiado elevada (calor) y existir el peligro de que los alimentos congelados se descongelen.

En la pantalla de visualización parpadea la temperatura ajustada en el compartimento de congelación y se muestra a la indicación «ALARM».

Tras pulsar la tecla **ALARM** la pantalla de visualización del compartimento de congelación muestra durante cinco segundos la temperatura más elevada (calor) que se ha registrado en el compartimento.

A continuación se borra dicho valor. El indicador de la temperatura del compartimento de congelación muestra la temperatura ajustada en el compartimento de congelación sin parpadear.

A partir de este momento se vuelve a calcular la temperatura más elevada actual, memorizándose dicho valor.

La indicación «ALARM» se apaga tan pronto como se vuelve a alcanzar la temperatura programada.

La alarma puede activar se, sin significar por ello ningún peligro de deterioro inmediato de los alimentos, en los casos siguientes:

- Al poner en marcha el aparato.
- Al introducir grandes cantidades de alimentos frescos en el compartimento de congelación.
- En caso de haber estado abierta la puerta del compartimento de congelación durante un periodo demasiado prolongado.

Desactivar la alarma

Pulsar la tecla ALARM para desactivar la alarma acústica.

Compartimento de congelación



AVISO:

No almacenar sustancia explosivas en este equipo. **¡Existe peligro de explosión!**



ATENCIÓN:

No volver a congelar los alimentos que se hayan descongelado o empezado a descongelarse. Cocer o asar los alimentos antes de congelarlos. Nunca conservar los alimentos congelados por un tiempo de almacenamiento mayor al máximo permitido.

El compartimento de congelación es adecuado

- para guardar productos ultracongelados,
- para congelar alimentos frescos.
- para preparar cubitos de hielo,

Nota:

¡Cerciorarse siempre de que la puerta del compartimento de congelación está cerrada correctamente! En caso de no estar bien cerrada la puerta, los alimentos se pueden descongelar. En el compartimento de congelación se produce una fuerte acumulación de escarcha. Además se produce un elevado consumo de energía eléctrica.

Congelar y guardar alimentos

Puntos a tener en cuenta al comprar alimentos ultracongelados

- Prestar atención a que la envoltura del alimento o producto congelado no presente ningún tipo de daño.
- Verifique la fecha de caducidad de los alimentos. Cerciórese de que ésta no ha vencido.
- La indicación de la temperatura del congelador del establecimiento en donde adquiera los alimentos deberá señalar un valor mínimo de 0 °F (-18 °C).
- Al hacer la compra, recuerde que conviene adquirir los alimentos congelados en el último momento. Procure transportarlos directamente a casa envueltos en una bolsa isotérmica. Una vez en el hogar, deberá colocarlos inmediatamente en el compartimento de congelación.

Congelar alimentos frescos

Si decide congelar usted mismo los alimentos, utilice únicamente alimentos frescos y en perfectas condiciones.

Blanquear (escaldar) las verduras antes de su congelación a fin de que su sabor, aroma ó color no se deteriore, ni pierdan tampoco su valor nutritivo. Las berenjenas, los calabacines y espárragos no hay que escaldarlos.

Más detalles sobre este método podrán hallarse en cualquier libro o manual de cocina que trate los aspectos de la congelación de alimentos y en donde se describa el método del blanqueado.

Nota:

Procurar que los alimentos congelados que ya hubiera en el congelador no entren en contacto con los alimentos frescos que se desean congelar.

- Alimentos adecuados para la congelación: Pan y bollería, pescado y marisco, carne, caza, aves, verduras y hortalizas, frutas, hierbas aromáticas, huevos sin cáscara, productos lácteos tales como queso, mantequilla y requesón, platos cocinados y restos de comidas como por ejemplo sopas, potajes, carnes ó pescados cocinados, platos de patatas, gratinados y platos dulces.
- Alimentos que no deben congelarse: Verduras que se consumen normalmente crudas, como por ejemplo lechugas ó rabanitos, huevos en su cáscara, uvas, manzanas enteras, peras y melocotones, huevos duros, yogur, leche agria, nata fresca acidulada, crema fresca y mayonesa.

Envasado de los alimentos

Envasar los alimentos herméticamente para que no se deshidraten o pierdan su sabor.

1. Introducir los alimentos en la envoltura prevista a dicho efecto.
2. Eliminar todo el aire que pudiera haber en el envase.
3. Cerrarlo herméticamente.
4. Marcar los envases, indicando su contenido y la fecha de congelación.

Materiales indicados para el envasado de los alimentos:

Láminas de plástico, bolsitas y láminas de polietileno, papel de aluminio, cajitas y envases específicos para la congelación de alimentos.

Todos estos productos y materiales se pueden adquirir en la mayoría de los supermercados, grandes almacenes o en el comercio especializado.

Materiales no apropiados para el envasado de los alimentos:

Papel de empaquetar, papel apergaminado, celofán, bolsas de la basura y bolsitas de plástico de la compra ya usadas.

Materiales apropiados para el cierre de los envases:

Gomitas, clips de plástico, bramante, cinta adhesiva incongelable, etc.

Las bolsitas ó láminas de plástico de polietileno se pueden termosellar con una soldadora de plásticos.

Calendario de congelación

Depende de las características y naturaleza específica de los alimentos que se desean congelar.

A una temperatura de 0 °F (-18 °C):

- El pescado, el embutido y los platos cocinados, así como el pan y la bollería: hasta 6 meses
- El queso, las aves y la carne: hasta 8 meses
- La fruta y verdura: hasta 12 meses

Supercongelación

Para que los alimentos conserven su valor nutritivo, vitaminas y buen aspecto hay que congelar el centro lo más rápidamente posible.

Con objeto de evitar que se produzca un aumento indeseado de la temperatura interior del aparato al colocar alimentos frescos en el compartimento de congelación, deberá activarse la función de supercongelación varias horas antes de introducir los alimentos en el aparato. Normalmente basta con 4 – 6 horas. Para usar la máxima capacidad de congelación del aparato, la función de supercongelación deberá permanecer activada durante 24 horas.

Una vez pasadas 48 horas, el aparato conmuta automáticamente a la temperatura ajustada con anterioridad a la activación de la supercongelación.

Conexión

Pulsar la tecla **SUPER**.

En la pantalla de visualización se muestra el símbolo «SUPER❄️».



Desconexión

Pulsar la tecla **SUPER**.

Descongelar los alimentos

Según el tipo y la naturaleza de su uso, se puede elegir entre los siguientes procedimientos:

- Temperatura ambiente
- En el frigorífico
- En un horno eléctrico, con/sin calentador de aire
- Con horno microondas

Nota:

Los alimentos que se hayan descongelado ó hayan empezado a descongelarse Sólo se podrán volver a congelar tras asarlos, freírlos, hervirlos o preparar con ellos platos cocinados.

En este caso no se deberá agotar al máximo el tiempo de caducidad de los productos.

Fabricador de hielo

El fabricante de hielo produce cubitos de hielo.

Tan pronto como el aparato alcanza la temperatura de congelación ajustada, el fabricante de hielo comienza con la producción de los cubitos de hielo. Cuando como el depósito de cubitos de hielo está lleno, se detiene automáticamente el proceso de fabricación de hielo.

⚠️ ATENCION:

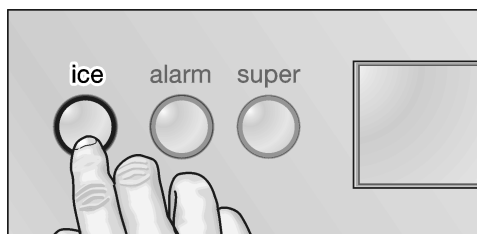
¡No colocar botellas ni alimentos en el depósito de los cubitos de hielo para enfriarlos rápidamente! El fabricante de cubitos de hielo podría quedar bloqueado y sufrir daños.

Activar la función

Nota:

Al conectar el fabricante de hielo por vez primera o tras un largo período de inactividad, la primera tanda de cubitos de hielo no deberá consumirse por razones de higiene. Evacuar los cubitos de hielo suministrados al desagüe y limpiar el depósito de cubitos de hielo.

1. Cerciorarse de que el depósito de los cubitos de hielos se encuentra en su lugar y ha encajado correctamente.
2. Pulsar la tecla **ICE**.
En la pantalla de visualización se ilumina el símbolo «ICE».



Desconexión y paro de la unidad

Nota:

Interrumpir la alimentación de agua del fabricante de hielo varias horas antes de su desconexión. Pulsar la tecla **ICE**.

Remoción de los cubitos de hielo

Extraer el depósito de los cubitos de hielo y remover los cubitos de hielo.

Filtro de agua

⚠ AVISO:

En las zonas en donde la calidad del agua sea dudosa o desconocida, el aparato deberá desinfectarse adecuadamente antes y después de realizar el filtrado del agua.

El cartucho para el filtro de partículas se puede adquirir en el Servicio de Asistencia Técnica Oficial de la marca o a través de un distribuidor de productos.

⚠ ATENCION:

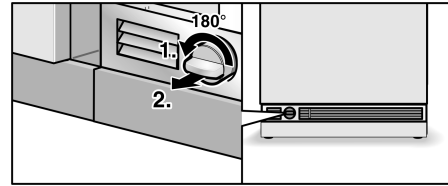
- Después de la instalación de un filtro de cartucho nuevo, desechar la producción de hielo de las primeras 24 horas.
- Si el hielo no fue utilizado por tiempo prolongado, desechar todos los cubitos de hielo que se encuentren en el depósito de los cubitos de hielo, al igual que la producción de hielo de las próximas 24 horas.
- Si el equipo o el hielo no fue utilizado por varias semanas o meses en forma activa, o bien si los cubitos de hielo presentan un gusto o aroma desagradable, cambiar el filtro de cartucho.
- Encerramientos de aire en el sistema pueden ser causa para que emerja agua o bien para la eyección del filtro de cartucho. Cuidado durante la quita.
- El filtro de cartucho deberá ser cambiado como mínimo cada 6 meses.

Advertencias importantes sobre el filtro del agua

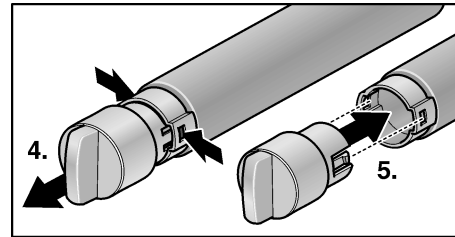
El circuito del agua se encuentra sometido a baja presión tras haber extraído agua o hielo. ¡Prestar atención al retirar el filtro de cartucho!

Sustituir el filtro de cartucho

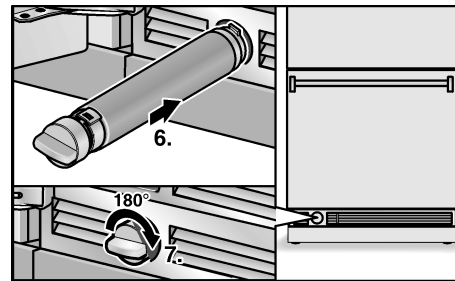
1. Girar la caperuza del filtro de cartucho (situado en el zócalo del aparato) en un ángulo de 90°–180° hacia la izquierda (sentido de marcha contrario al de las agujas de reloj).
2. Extraer el filtro de cartucho.



3. Extraer el filtro de cartucho nuevo de su embalaje; retirar la caperuza protectora del filtro.
4. Retirar la caperuza protectora del filtro de cartucho agotado.
5. Montar la caperuza protectora en el filtro de cartucho nuevo.



6. Introducir el filtro de cartucho con caperuza horizontalmente en la abertura correspondiente en el zócalo del aparato, hasta el tope.
7. Girar el filtro de cartucho en un ángulo de 90°–180° hacia la derecha (sentido de marcha de las agujas del reloj).



8. Verter el agua contenida en el filtro de cartucho usado en el desagüe. El cartucho usado se puede evacuar con la basura doméstica.

Nota:

Puede utilizarse el equipo sin el filtro de agua. Si utiliza esta opción, reemplace el filtro por un cartucho de partículas. En este caso puede desactivarse la indicación correspondiente al filtro, a fin de evitar el aviso para el cambio del mismo. Para la adquisición de un cartucho de filtro de agua, dirigirse al comerciante especializado de su zona o llamar al 1-800-944-2904.

Especificaciones técnicas y prestaciones

Para filtro modelo: 9000 077 095

Utilizando el cartucho de repuesto: 9000 077 104

El modelo ha sido verificado por la Agencia Internacional de Verificación y Certificación NSF International según los estándares ANSI/NSF 42 y 53, obteniendo la certificación respecto a la reducción de las sustancias que se detallan a continuación. La concentración de las sustancias disueltas en el agua indicadas que penetran en el sistema, ha sido rebajada hasta un valor inferior o igual al valor límite según NSF/ANSI 42 y 53 válido para el agua que abandona el aparato.

Nota:

A pesar de que los ensayos de laboratorio se han realizado según condiciones estándar, los valores reales, no obstante, pueden diferir de éstos.



El sistema ha sido verificado y certificado en el modelo 9000 077 095 por NSF International en función de las normas ANSI/NSF-Standard 53 para la reducción de quistes y partículas en suspensión (turbiedades) y ANSI/NSF-Standard 42 para la reducción del sabor y olor a cloro. Clase de partícula nominal: I Máxima vida útil nominal: 739,68 galones (2800 litros)

Substancia	Promedio en la afluencia	Concentración de afluencia	Concentración del agua filtrada	Reducc. media en %	Concentración máx admisible en el agua filtrada	Máx. agua filtrada	Mín. reducción en %	Ensayo NSF
Quistes *	166.500	Mín. 50.000/l	1	99,99	99,95	1	99,99	511077-03
Partículas Clase 1 Tam. partícula > 0,5 a <10 µm	5.700.000	Como mín. 10.000 partículas/ml	30.583	99,52	> 85 %	69.000	98,9	511079-03
Sabor y olor a cloro	1,9	2,0 mg/l +- 10 %	0,05	97,3	> 50 %	0,06	96,84	511081-03

* Sobre la base de oocistos de criptosporium parvum.

Normas de aplicación/Parámetros de la aliment. de agua:

- La presión del agua 30 - 120 psi (207 - 827 kPa)
- Temperatura del agua * 33 °F - 100 °F (0,6 °C - 38 °C)
- Velocidad de flujo 0,75 gpm (2,83 l/min.)

- El sistema deberá instalarse y usarse de conformidad con las instrucciones del fabricante.
- Los filtros deberán sustituirse cada 6-9 meses.
- Hacer circular agua por el filtro nuevo durante 5 minutos.
- Más detalles a este respecto figuran en la tarjeta de garantía.

El presente producto NO DEBERÁ usarse en zonas de agua microbiológicamente nociva ó de calidad desconocida NI TAMPOCO si no se ha efectuado una desinfección adecuada antes ó después de efectuar su conexión a la red de agua. Un sistema certificado para la reducción de quistes de parásitos puede usarse para aquellas aguas desinfectadas que contuvieran quistes de parásitos filtrables.

Concedemos para todo el sistema (excepto el cartucho desechable) una garantía de un año. Para el cartucho desechable sólo se concede una garantía respecto a defectos de material ó de fabricación. La vida útil de los cartuchos desechables depende de la calidad local del agua, por lo que no se torga ninguna garantía a este respecto.

Para una información detallada sobre los precios de los repuestos deberá dirigirse al distribuidor en donde adquirió el aparato o al distribuidor de repuestos de su zona.

Fabricado por:
Cuno Engineered Products
1000 Apollo Road
Eagan, MN 55121-2240 U.S.A.

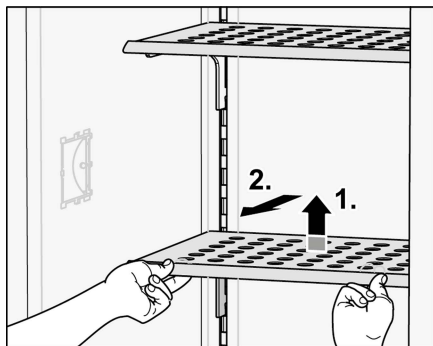
Equipamiento

Retirar los estantes

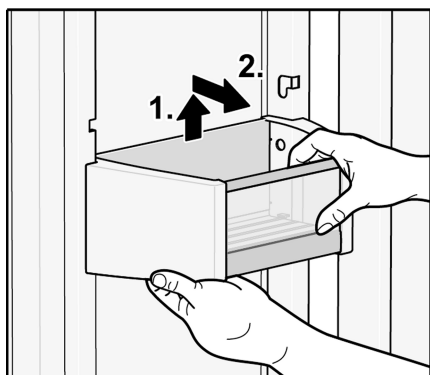
La posición de los estantes del interior del aparato y los estantes de la puerta se puede variar individualmente.

Alzar los estantes por su parte delantera y retirarla del aparato.

Estantes del interior del aparato



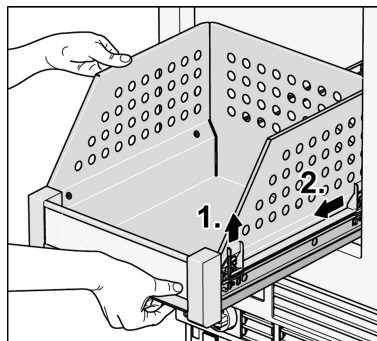
Estantes de la puerta



Recipiente en el compartimiento de congelación

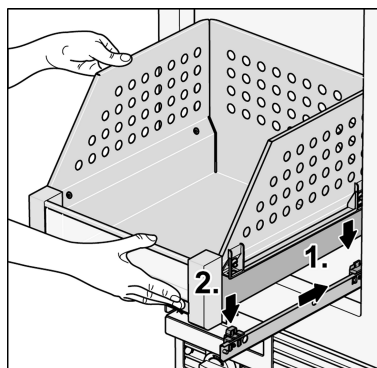
Los recipientes del compartimiento de congelación pueden extraerse a los fines de su limpieza.

1. Levantar levemente el recipiente y extraerlo.



2. Levantar levemente la parte anterior del recipiente y colocar las extensiones.

3. Hacer descender el recipiente y desplazarlo hacia atrás.



Desconexión y paro del aparato

Desconectar el aparato

1. Accionar la tecla **POWER**.
2. Extraer el cable de conexión de la red eléctrica.

Paro del aparato

En caso de largos períodos de inactividad de la unidad:

1. Es indispensable interrumpir la alimentación de agua al aparato varias horas antes de desconectarlo.
2. Retirar todos los alimentos del aparato.
3. Desconectar el aparato.
4. Extraer el enchufe del aparato de la toma de corriente o desactivar el fusible.
5. Vaciar el depósito de los cubitos de hielo y limpiarlo (véase el capítulo «Limpieza del aparato»).
6. Limpiar el interior del aparato (véase el capítulo «Limpieza del aparato»).
7. Dejar las puertas del aparato abierta para evitar la formación de olores.

Al desescarchar el aparato

El desescarchado del aparato se efectúa automáticamente.

Limpieza del aparato



AVISO:

¡No utilizar ningún tipo de limpiadora de vapor!



ATENCIÓN:

- No utilizar detergentes que contengan arena, cloro o ácidos. ¡No emplear tampoco disolventes!
- No emplear esponjas abrasivas. En las superficies metálicas podría producirse corrosión.
- No lavar nunca las bandejas, compartimentos o estantes del aparato en el lavavajillas. ¡Las piezas pueden deformarse!

Modo de proceder

1. Desconectar el aparato antes de proceder a su limpieza.
2. ¡Extraer para ello el enchufe del aparato de la red de corriente, o desactivar el fusible!
3. Retirar los alimentos del aparato y colocarlos en un lugar frío. Colocar los cajones de congelación en un lugar lo más frío posible.
4. Limpiar el aparato con un paño suave, agua templada y un poco de lavavajillas manual con pH neutro. Téngase presente que el agua empleada en la limpieza del aparato no debe entrar en contacto con la iluminación.
5. Limpiar la junta de la puerta sólo con agua clara, secándola bien a continuación.
6. Tras concluir la limpieza del aparato: Conectarlo a la red y ponerlo en funcionamiento.
7. Colocar los alimentos congelados en el compartimento de congelación.

Equipamiento

Los elementos variables del aparato se pueden extraer para su limpieza (véase el capítulo «Equipamiento»).

Limpiar el depósito para los cubitos de hielo

En caso de no extraer cubitos de hielo durante un tiempo prolongado del dispensador, éstos pierden parte de su volumen, saben «a viejo» y se adhieren entre sí. Por esta razón deberá limpiarse regularmente el depósito de cubitos de hielo.



ATENCIÓN:

¡El depósito de los cubitos de hielo lleno tiene un peso considerable!

1. Retirar el depósito de los cubitos de hielo.
2. Vaciar el depósito y enjuagarlo con agua templada.
3. Secar bien con un paño el depósito, a fin de evitar que los cubitos de hielo nuevos puedan quedar adheridos.
4. Colocar el depósito de cubitos de hielo.
La producción de cubitos de hielo continúa.

Iluminación interior (LED)

Su aparato está equipado con una iluminación por diodos luminosos exenta de mantenimiento.

Las reparaciones de este tipo de iluminación sólo podrán ser realizadas por personal técnico del Servicio de Asistencia Técnica Oficial de la marca o autorizado oficialmente por el fabricante.

Consejos prácticos para ahorrar energía eléctrica

- ¡Emplazar el aparato en una habitación seca y fresca, dotada de una buena ventilación! Recuerde además que el aparato no debe instalarse de forma que reciba directamente los rayos del sol, ni encontrarse tampoco próximo a focos activos de calor tales como cocinas, calefacciones, etc. No obstante, si esto último fuera inevitable, se habrá de proteger la unidad con un panel aislante adecuado.
- Prestar atención a que las aberturas de ventilación y aireación no estén nunca obstruidas.
- ¡Dejar enfriar los alimentos o bebidas calientes hasta temperaturas ambientes antes de introducirlos en el aparato!
- Descongelar los productos congelados en el interior del frigorífico. De esta manera se puede aprovechar el frío desprendido por los mismos para la refrigeración de los restantes alimentos guardados.
- ¡Mantenga abiertas las puertas del aparato el menos tiempo posible!

Ruidos de funcionamiento del aparato

Ruidos de funcionamiento normales del aparato

Ruidos en forma de murmullos sordos

Los motores están trabajando (compresores, ventilador).

Ruidos en forma de gorgoteo

Se producen al penetrar el líquido refrigerante en los tubos delgados ó el agua en el fabricante de hielo.

Ruidos en forma de clic

El motor, los interruptores ó las electroválvulas se conectan/desconectan.

Los ruidos característicos de la caída de los cubitos de hielo

Se producen cuando los cubitos de hielo listos caen en el depósito de los cubitos de hielo.

Ruidos que se pueden evitar fácilmente

El aparato está colocado en posición desnivelada

Nivelar el aparato con ayuda de un nivel de burbuja. Calzarlo en caso necesario.

El aparato entra en contacto con muebles u otros objetos

Retirar el aparato de los muebles u otros aparatos con los que esté en contacto.

Los cajones ó baldas oscilan ó están agarrotados

Verificar los elementos desmontables y, en caso necesario, colocarlos correctamente.

Las botellas ó recipientes entran en contacto mutuo

Separar algo las botellas y los recipientes.

Antes de llamar para pedir servicio técnico

Antes de avisar al Servicio de Asistencia Técnica:

Compruebe si la avería ó fallo que usted ha constatado se encuentra recogida en los siguientes consejos y advertencias.

Tenga presente que los gastos del técnico no quedan cubiertos por las prestaciones del servicio de garantía.

Aparato

Avería	Posible causa	Forma de subsanarla
El aparato no enfría.	El aparato está desconectado.	Accionar la tecla POWER .
La iluminación no funciona.	Un corte del suministro de corriente.	Verificar si hay corriente.
La pantalla de visualización no se ilumina.	El fusible está desactivado.	Verificar el fusible.
	El enchufe del aparato no está correctamente asentado en la toma de corriente.	Cerciorarse de que el enchufe esté asentado correctamente en la toma de corriente.
La frecuencia y duración de la conexión del compresor aumenta.	La puerta del aparato se ha abierto con demasiada frecuencia.	No abrir la puerta del aparato innecesariamente.
	Las aberturas de ventilación y aireación están obstruidas.	Eliminar la causa de la obstrucción.
	Al introducir grandes cantidades de alimentos frescos en el compartimento de congelación.	Activar la supercongelación.
La iluminación (LED) no funciona.	La iluminación de diodos luminosos está defectuosa.	Avisar al Servicio de Asistencia Técnica Oficial.
	El interruptor de la luz está agarrotado.	Verificar la movilidad del interruptor.
En la pantalla de visualización aparece la indicación «E..».	El sistema electrónico ha detectado una avería.	Avisar al Servicio de Asistencia Técnica Oficial.
En la pantalla de visualización aparece la indicación «LOWPOWER».	La tensión de red es inferior al valor límite admisible.	Tan pronto como la tensión de red vuelve a alcanzar su valor prescrito, se apaga la indicación de avería. En caso de permanecer la indicación activada durante un tiempo prolongado, deberá avisarse a la empresa de abastecimiento de energía.
En la pantalla de visualización aparece la indicación «HIGHVOLT».	El voltaje de la línea excede el valor límite permitido.	Tan pronto como la tensión de red vuelve a alcanzar su valor prescrito, se apaga la indicación de avería. En caso de permanecer la indicación activada durante un tiempo prolongado, deberá avisarse a la empresa de abastecimiento de energía.

Fabricador de hielo

Avería	Posible causa	Forma de subsanarla
El fabricante de hielo no funciona.	El fabricante de hielo no está conectado a la red eléctrica.	Avisar al Servicio de Asistencia Técnica Oficial.
	No se suministra agua fresca al fabricante de hielo.	Cerciorarse de que se ha realizado correctamente la conexión a la red de agua.
	La temperatura en el interior del compartimento de congelación es demasiado elevada (calor).	Verificar la temperatura del compartimento de congelación y ajustarla, en caso necesario, a un valor más bajo (más frío).

Avería	Posible causa	Forma de subsanarla
El fabricante de hielo no suministra suficiente hielo o los cubitos de hielo que suministra están deformados.	El aparato o el fabricante de hielo se han conectado hace pocos instantes.	La producción de hielo se inicia sólo pasadas 24 horas de la puesta en funcionamiento del aparato.
	Se ha extraído una gran cantidad de hielo.	El depósito de cubitos de hielo tarda 24 horas en llenarse.
	La presión del agua es demasiado baja.	Conectar el aparato sólo a una red de agua que posea la presión de red prescrita (véase el capítulo «Conectar el aparato», sección «Conexión del aparato a la red de agua»).
	El cartucho de filtro está bloqueado ó debe reemplazarse.	Cambie el cartucho de filtro.
	La temperatura en el interior del compartimento de congelación es demasiado elevada (calor).	Verificar la temperatura del compartimento de congelación y ajustarla, en caso necesario, a un valor más bajo (más frío).
El fabricante de hielo no produce hielo.	El fabricante de hielo está desconectado.	Conectarlo a través del mando correspondiente en el cuadro de mandos.
	El aparato no tiene alimentación de agua.	Avisar al instalador o a la empresa abastecedora de agua.
	La tubería de la alimentación de agua del aparato tiene dobleces.	Interrumpir la alimentación de agua a través de la válvula de bloqueo. Enderezar los dobleces de la tubería o sustituirla en caso necesario.
	La presión del agua es demasiado baja.	Conectar el aparato sólo a una red de agua que posea la presión de red prescrita (véase el capítulo «Conectar el aparato», sección «Conexión del aparato a la red de agua»).
	La temperatura en el interior del compartimento de congelación es demasiado elevada (calor).	Verificar la temperatura del compartimento de congelación y ajustarla, en caso necesario, a un valor más bajo (más frío).
	El depósito de los cubitos de hielo no está colocado correctamente.	Verificar la posición del depósito; en caso necesario, retirarlo de su emplazamiento y colocarlo correctamente.
	Se ha montado una válvula de bloqueo errónea.	Las válvulas de bloqueo erróneas pueden dar lugar a una presión del agua demasiado baja y ocasionar daños en el aparato.
En la manguera de alimentación del fabricante de hielo se ha formado hielo.	La presión del agua es demasiado baja.	Conectar el aparato sólo a una red de agua que posea la presión de red prescrita (véase el capítulo «Conectar el aparato», sección «Conexión del aparato a la red de agua»).
	La válvula de bloqueo no esta correctamente abierta.	Abrir la válvula de bloqueo completamente.
Sale agua del aparato.	La manguera del agua presenta inestaqueidades.	Sustituir la manguera inestanca por una manguera original del fabricante.
	Se ha montado una válvula de bloqueo errónea.	Las válvulas de bloqueo erróneas pueden dar lugar a una presión del agua demasiado baja y ocasionar daños en el aparato.

Servicio de Asistencia Técnica

Antes de llamar el servicio a clientes, rogamos consultar el apartado «Antes de llamar para pedir servicio técnico».

Después de la consulta correspondiente en el apartado «Antes de llamar para pedir servicio técnico», puede solicitarse ayuda adicional mediante un llamado a Bosch en el Bosch Customer Interaction Center, 1-800-944-2904 (libre de costes), desde cualquier punto de los E.E.U.U.

En el Canadá, rogamos consultar con el servicio a clientes Bosch o bien al número 1-800-944-2904.

Rogamos anotar las siguientes informaciones de su equipo refrigerador congelador, a fin de tenerlos a mano cuando necesite ayuda o la presencia del servicio a clientes, lo cual agilizará el procedimiento.

Nombre del comerciante:

Dirección:

Número de teléfono:

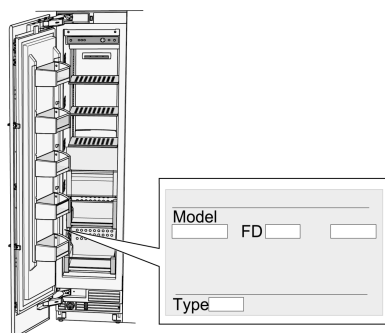
Fecha de compra:

Número del modelo:

Número del fabricación
(FD):

Número de serie:

Tipo:



BSH Home Appliances Corporation

1901 Main Street, Suite 600,
Irvine CA 92614, USA

www.bosch-home.com



8001029327 (9710)
en-usx, fr-ca, es-mx