

Invented for life



Wash and Dry #LikeABosch

Laundry to fit your lifestyle.

24" Compact Laundry Brochure





Quality in every detail.

Bosch compact washers and dryers are thoughtfully designed to simplify laundry day, so you can get back to doing what you love. With flexible installation and sustainable solutions, including our Self-cleaning Condenser™ and ENERGY STAR® certified laundry line up, enjoy a more efficient way to wash and dry clothes.





Flexible configurations. Functional accessories. Easy installation.

Combining simple installation with compact laundry solutions, Bosch gives you the flexibility to place the washer and dryer in an area that's most convenient for your home. Bosch compact laundry units can be installed stacked, side-by-side, on pedestals, in a closet or under a counter. The Bosch laundry pair is ideal for small spaces such as urban lofts, guest suites, or secondary laundry and vacation homes. And the 500 and 800 Series dryers also offer the option of a reversible door.



Flexible accessories



Stationary Stacking Kit



Stacking Kit with Pull Out Tray

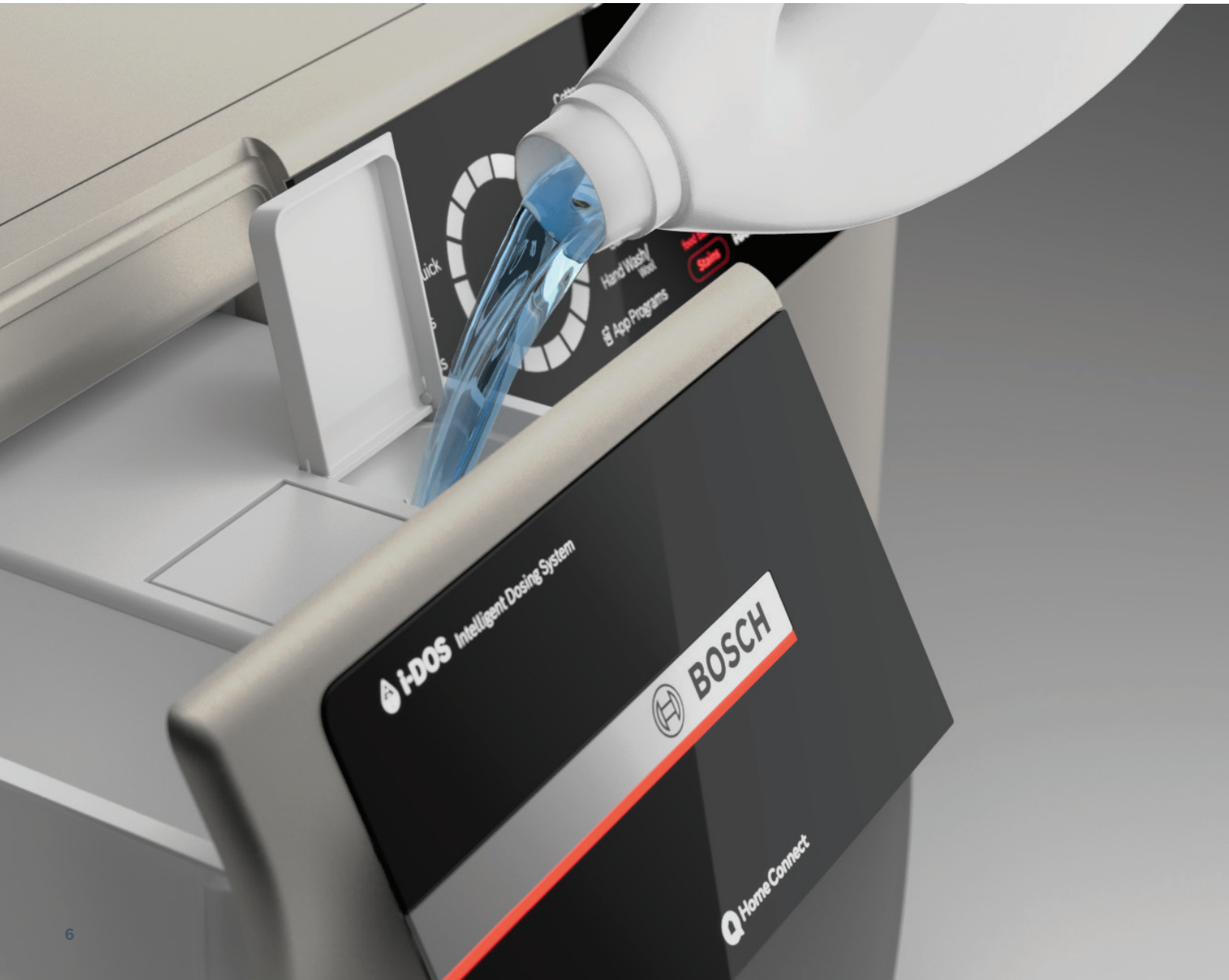


Washer and Dryer Pedestal

Save loads of detergent.

Make laundry day a breeze with i-DOS automatic dosing*, which automatically measures the perfect amount of detergent** for each load. Designed with efficiency in mind, i-DOS detects load size, soil, and basic fabric type to dispense the ideal amount of detergent. Home Connect® also has you covered with Detergent Scan. Scan the barcode of your detergent using the Home Connect® app and your washing machine will calculate the perfect amount of detergent for you. So you can save detergent, money, and laundry day hassle.

*i-DOS avoids unnecessary rinse cycles due to manual overdosing.
**Please follow detergent manufacturer's dosing recommendations.



Steam like a dream.

Reduce wrinkles and minimize ironing with Steam Restore. Available on the Bosch 800 Series dryer, Steam Restore refreshes clothes and eliminates wrinkles without the need for ironing. So you can get refreshed and ready without all the work.

Clean in 4D.

Regular washers spin clothes with soap and hot water in hopes of removing soil. But Bosch 500 and 800 Series washers use the 4D Wash System to spray soapy water directly onto your laundry, ensuring every item gets a deep clean, every time.





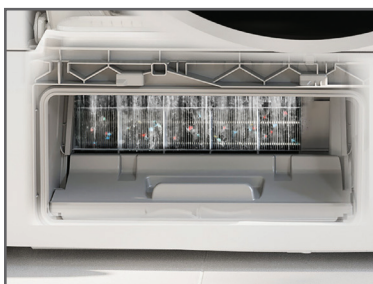
Less is more.

All Bosch washers and dryers are ENERGY STAR® certified for less energy usage and more water savings. The 500 and 800 Series heat pump dryers are 60% more efficient* and are recognized as ENERGY STAR® Most Efficient of 2024 along with their matching washers.



Sustainable laundry solutions.

Featuring a Self-cleaning Condenser™, the Bosch 500 and 800 Series dryers eliminates the need to manually clean and maintain the condenser, providing you with consistent dry times and energy efficiency load after load.





Complete convenience with connectivity.

The Bosch 500 Series and 800 Series compact laundry pairs provide a new level of ease through Home Connect®. Control and monitor your appliance remotely and receive helpful notifications on your smart device, including when a cycle is complete.



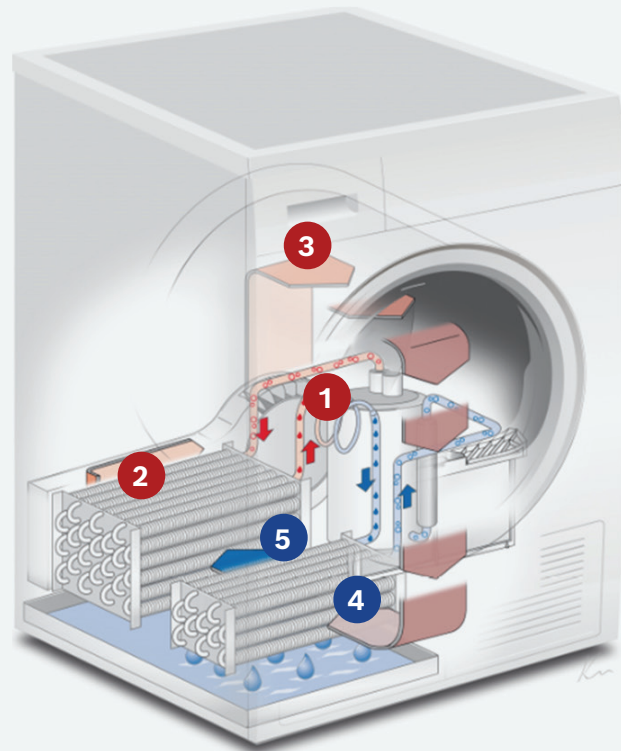
Smart laundry.

The new Smart Dry* feature from Bosch automatically selects the best drying program based on the last wash cycle. The load size, clothing type, material, and how much moisture is left in the laundry are all taken into account for the drying program choice. Connect your units to Home Connect® and let the dryer do the rest.

Engineered for efficiency.

How does a Heat Pump Dryer work?

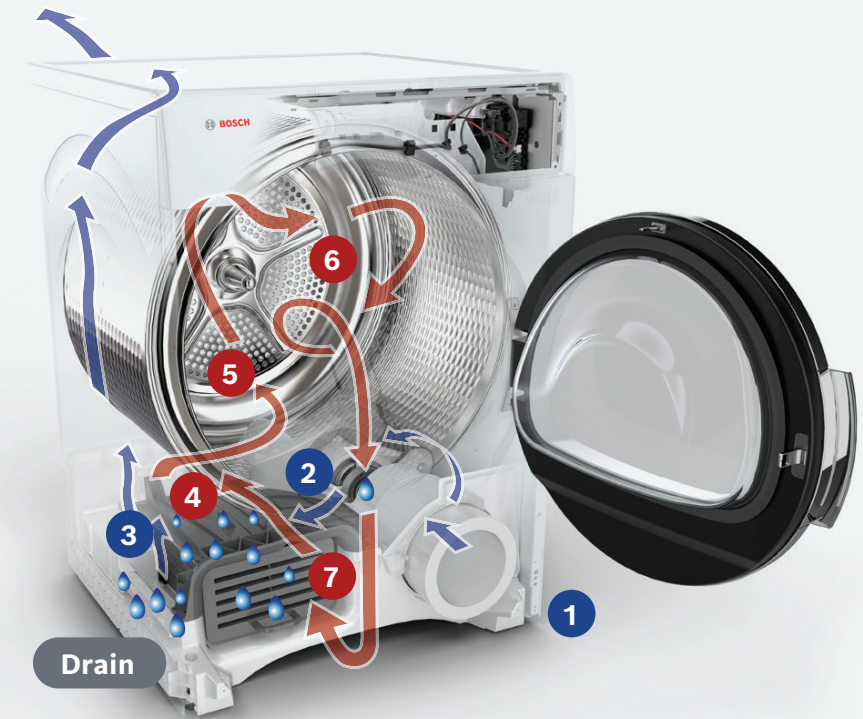
A heat pump dryer is ventless and has no heating element. Heat pump dryers are significantly more energy efficient and provide improved drying results when compared to a Bosch condensation dryer.



- 1 Compressor pressurizes the gas, heating it up.
- 2 Heat exchanger heats the air as the super heated gas passes through it's coils.
- 3 Heated air enters the drum to dry clothing.
- 4 Condenser cools the moist air, extracting the water.
- 5 Cooled air is recycled back through the heat exchanger to continue the drying process.

How does a Condensation Dryer work?

Bosch condensation dryers are also ventless and engineered to efficiently reduce drying times to gently dry clothes at an optimal temperature.



- 1 Ambient (cool) air enters dryer.
 - 2 Ambient air enters condenser.
 - 3 Ambient air (warm and dry) exits condenser and exhausted.
 - 4 Process air (dry) exits condenser. A fan blows it into heater.
 - 5 Process air enters heater (heating element) and heated.
 - 6 Process (heated) air enters drum to absorb moisture and dry laundry.
 - 7 Process air (warm and wet) enters condenser and is cooled, releasing the moisture.
- Drain** Condensed water is collected and pumped out to drain.

Leak Protection.

AquaStop® Plus

The AquaStop® Plus System, on the 500 and 800 Series washers, provides protection against water damage with 24 hour leak detection. The system consists of double-walled hoses with a safety valve and leak detection in the bottom of the washer to provide protection against water damage.



Installation Cost Savings.

Bosch washers and dryers offer both space and cost savings.

- **No Additional Power Cord or Water Hoses Needed**
All power cords and the hot and cold water lines are included with Bosch washers and dryers.
- **No Additional Power Outlets or Wall Receptacles Needed**
With the washer and dryer both plugging into the dryer adapter and only requiring one 240V wall receptacle, the installation of a second wall receptacle is no longer needed.
- **No Ducting Needed**
All Bosch dryers are ventless and therefore require no dryer ducting. This saves you the cost of running ducting and removes the need for bulky dryer ducts taking up space behind your dryer.
- **No Leak Risk**
No washer pan is needed* with the AquaStop® Plus leak protection system on the 500 and 800 Series washers. Avoid costly floor and wall damage with this Bosch leak protection system.
- **ENERGY STAR® Certified**
Save on energy and water costs over the life of your project with Bosch ENERGY STAR® certified products. The 500 and 800 Series pairs have both been recognized as ENERGY STAR® Most Efficient of 2024.



*Check local building codes for complete requirements.

Fit and functional design.



Design Options

The Bosch compact laundry pairs feature matching washer and dryer designs across the three different series. Design accents unique to each series include white or chrome door rings, standard or tinted doors, and a new Pearl Steel exterior color option.*



Premium look and feel

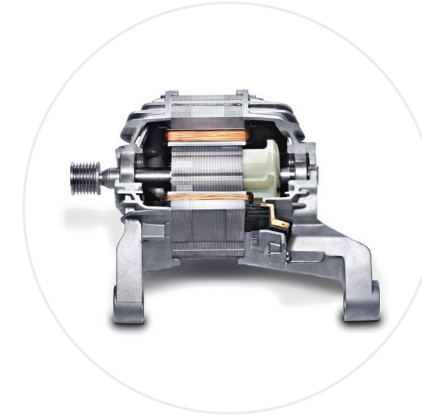
The sleek design of the LED control panel and illuminated dial** offers easy cycle and option selection. And the improved detergent tray and door handles provide a more comfortable grip.



Purposeful design

Reversible dryer doors** allow you to access laundry from the right or left side, giving you limitless options for installation whether your units are in a closet or corner, you can always easily access your laundry.

*Available in 800 Series models only. **Available only on 500 Series and 800 Series models.



EcoSilence™ Motor

The EcoSilence™ Motor is a brushless motor which makes the SpeedPerfect® mode even quieter. Energy-efficient and quiet in operation, the EcoSilence™ Motor provides a more efficient performance cycle with an especially long life.

Quieter clean

Featuring an anti-vibration system, Bosch washers monitor the load weight and movement of the drum to reduce noise. The circular design of the sidewall further reinforces its structure and increases the stability



Quality and performance.



SuperQuick 15/30™

SuperQuick 15/30™ option features a 30 minute quick wash cycle (or 15 minutes with the SpeedPerfect® option) that can be used on any small, lightly soiled load.*



ActiveWater™ Plus

ActiveWater™ Plus automatically adjusts water consumption according to the load size using automatic load detection technology.*



Large capacity

Even with a small footprint, our washers feature a large capacity and hold a variety of loads. An expansive viewing window and lightweight door make loading and unloading a snap.



Powerful yet gentle wash

Depending on the cycle, the washer adjusts the direction of the drum rotation, using the steeper edges for heavy duty or shallow edges for delicate fabrics that require gentler

*Available only on 500 and 800 Series models.

Bosch laundry lineup.

Laundry Feature Summary by Series

All Bosch 24" compact washers & dryers can be placed side-by-side, stacked or on pedestals. For the full assortment and more details: www.bosch-home.com/us/products/compact-laundry



300 Series



500 Series



800 Series

Washers	300 Series	500 Series	800 Series
Capacity	2.2 cu. ft.	2.4 cu. ft.	2.4 cu. ft.
Maximum spin speed	1,400 rpm	1,600 rpm	1,600 rpm
Leak protection system	Reinforced hose	AquaStop® Plus	AquaStop® Plus
Interior light	No	Yes (LED)	Yes (LED)
Drum material	Stainless Steel	Stainless Steel	Stainless Steel
Number of programs/options	15/6	14/10	14/10
Silence level - washing/spinning	52/72 dBA	51/75 dBA	51/75 dBA
Internal water heater	Yes	Yes	Yes
ENERGY STAR® certified	Yes	Yes – Most Efficient Mark 2024	Yes – Most Efficient Mark 2024
Energy and water consumption	70 kWh/yr and 2,325 gal/yr	105 kWh/yr and 2,430 gal/yr	105 kWh/yr and 2,430 gal/yr
Home Connect® (Wi-Fi enabled)	No	Yes	Yes
Control type	Touch	Premium LED touch	Premium LED touch
Door hinge	Left side (not reversible)	Left side (not reversible)	Left side (not reversible)
Color	White	White	Pearl Steel
Automatic Dosing System	No	No	i-DOS™



300 Series



500 Series



800 Series

Dryers	300 Series	500 Series	800 Series
Capacity	4.0 cu. ft.	4.0 cu. ft.	4.0 cu. ft.
Dryer type	Condensing	Heat Pump	Heat Pump
Self-cleaning Condenser™	No	Yes	Yes
Interior light	No	Yes (LED)	Yes (LED)
Drum material	Stainless Steel	Stainless Steel	Stainless Steel
Number of programs/options	15/6	14/8	14/8
Silence level	67 dBA	62 dBA	62 dBA
Ventless drying (no ducting)	Yes	Yes	Yes
ENERGY STAR® certified	Yes	Yes - Most Efficient Mark 2024	Yes - Most Efficient Mark 2024
Energy consumption	315 kWh/yr	125 kWh/yr	125 kWh/yr
Home Connect® (Wi-Fi enabled)	No	Yes	Yes
Control type	Touch + Dial	Premium LED touch	Premium LED touch
Door hinge	Right side (not reversible)	Right side (reversible)	Right side (reversible)
Color	White	White	Pearl Steel
Steam Restore	No	No	Yes

24" Compact Washer



800 Series
WGB246AXUC Home Connect

- Home Connect® Controls Washer Remotely
- Recognized as ENERGY STAR® Most Efficient of 2024
- AquaStop® Plus Leak Protection
- Premium LED Controls
- Illuminated Selection Jog Dial
- LED Interior Light
- SuperQuick™ 15 / 30 Minute Program
- i-DOS technology



+ Indicates a step-up

800 Series

Pearl Steel – WGB246AXUC

General Properties

Tub material	Stainless steel
Maximum spin speed	1,600 rpm
Interior light	Yes (LED)
Leak protection systems	AquaStop® Plus
Internal water heater	Yes
Stackable	Yes with Stacking Kit Accessory
Silence level – washing	51 dBA
Silence level – spinning	75 dBA
Programs (No.), [Special]	(14) [Sanitize, SuperQuick™ 15/30]
Options (No.), [Special]	(10) [Remote Start, SpeedPerfect™]
Home Connect® (Wi-Fi enabled)	Yes
Energy consumption	105 kWh/yr
Water consumption	2,430 gal/yr
ENERGY STAR® certified	Most Efficient 2024

Capacity

Capacity	2.4 cu. ft.
----------	-------------

Design Elements

Door ring	Chrome
Control type	Premium LED touch
Dial	Illuminated jog dial
Bosch logo on door glass	Yes

Technical Details

Watts	2,000 W
Circuit breaker	15 A*
Volts	208/220-240 V
Current	10.5 A
Frequency	60 Hz
Power cord (included) [Type]	(Yes) [240V; NEMA 6-15 3-prong]
Power cord length	63" (full length)
Drain / inlet hose length	57" / 59" (full length)
Door hinge	Left side (not reversible)

Dimensions & Weight

Overall dimensions (HxWxD)	33 1/4" x 23 1/2" x 25 1/2"
Net weight	182 lbs
Minimum stack height	67 3/4"
ADA compliance†	Meets ADA height and access requirements <i>when installed on pedestal.</i> Meets ADA operable parts requirements for controls and detergent dispenser.

*Stated circuit breaker size is if the appliance is plugged into an individual 240/208V, 15A minimum branch circuit.
†To be fully ADA compliant, these units must be installed according to ADA guidelines. Please check current ADA requirements for guidance on installation.

24" Compact Washers



500 Series
WGB24600UC Home Connect

- + Home Connect® Controls Washer Remotely
- + Recognized as ENERGY STAR® Most Efficient of 2024
- AquaStop® Plus Leak Protection
- Premium LED Controls
- Illuminated Selection Jog Dial
- LED Interior Light
- SuperQuick™ 15 / 30 Minute Program
- 4D Wash System



+ Indicates a step-up

500 Series

White – WGB24600UC

General Properties

Tub material	Stainless steel	Stainless steel
Maximum spin speed	1,600 rpm	1,400 rpm
Interior light	Yes (LED)	No
Leak protection systems	AquaStop® Plus	Reinforced hose
Internal water heater	Yes	Yes
Stackable	Yes with Stacking Kit Accessory	Yes with Stacking Kit Accessory
Silence level – washing	51 dBA	52 dBA
Silence level – spinning	75 dBA	72 dBA
Programs (No.), [Special]	(14) [Sanitize, SuperQuick™ 15/30]	(15), [Allergen, Jeans, Heavy Duty]
Options (No.), [Special]	(10) [Remote Start, SpeedPerfect™]	(6), [SpeedPerfect®, PreWash]
Home Connect® (Wi-Fi enabled)	Yes	No
Energy consumption	105 kWh/yr	84 kWh/yr
Water consumption	2,430 gal/yr	2,379 gal/yr
ENERGY STAR® certified	Most Efficient 2024	Yes

Capacity

Capacity	2.4 cu. ft.	2.2 cu. ft.
----------	-------------	-------------

Design Elements

Door ring	Chrome	White
Control type	Premium LED touch	Touch
Dial	Illuminated jog dial	White
Bosch logo on door glass	Yes	No

Technical Details

Watts	2,000 W	2,520 W
Circuit breaker	15 A**	15 A**
Volts	208/220-240 V	208/220-240 V
Current	10.5 A	10.5 A
Frequency	60 Hz	60 Hz
Power cord (included) [Type]	(Yes) [240V; NEMA 6-15, 3-prong]	(Yes) [240V; NEMA 6-15, 3-prong]
Power cord length	63" (full length)	63" (full length)
Drain / inlet hose length	57" / 59" (full length)	57" / 48" (full length)
Door hinge	Left side (not reversible)	Left side (not reversible)

Dimensions & Weight

Overall dimensions (HxWxD)	33 1/4" x 23 1/2" x 25 1/2"	33 1/4" x 23 1/2" x 24 1/4"
Net weight	182 lbs	158 lbs
Minimum stack height	67 3/4"	67 3/4"
ADA compliance†	Meets ADA height and access requirements <i>when installed on pedestal.</i> Meets ADA operable parts requirements for controls and detergent dispenser	

*As compared to Perm Press Heavy Soil cycle without SpeedPerfect™
**Stated circuit breaker size is if the appliance is plugged into an individual 240/208V, 15A minimum branch circuit.
†To be fully ADA compliant, these units must be installed according to ADA guidelines. Please check current ADA requirements for guidance on installation.



300 Series
WGA12400UC

- SpeedPerfect® Provides Up to 40% Faster Washing Time*
- EcoSilence™ Motor Delivers Quiet, Efficient Performance
- Anti-vibration Circular Side Walls Reduce Vibration
- ENERGY STAR® Certified



300 Series

White – WGA12400UC

24" Compact Dryer



800 Series (Heat Pump) Home Connect
WQB245AXUC

- Home Connect® Controls Dryer Remotely
- Recognized as ENERGY STAR® Most Efficient of 2024
- + Steam Restore
- Self-cleaning Condenser™
- Reversible Door
- Stainless Steel Drum
- Lower Noise 62 dBA



+ Indicates a step-up

800 Series

Pearl Steel – WQB245AXUC

General Properties

Dryer type	Heat pump
Drum material	Stainless steel
Interior light	Yes (LED)
Ventless drying (no ducting)	Yes
Stackable	Yes with Stacking Kit Accessory
Silence level	62 dBA
Programs (No.), [Special]	(14) [Steam Restore, Sportswear]
Options (No.), [Special]	(8) [Smart Dry, Dryness Level]
Home Connect® (Wi-Fi enabled)	Yes
Energy consumption	125 kWh/yr
ENERGY STAR® certified	Most Efficient 2024

Capacity

Capacity	4.0 cu. ft.
----------	-------------

Design Elements

Door ring	Chrome
Control type	Premium LED touch
Dial	Illuminated jog dial
Bosch logo on door glass	Yes

Technical Details

Energy source	Electric
Watts	900 W
Circuit breaker	15 A*
Volts	208/220-240 V
Current	4 A
Frequency	60 Hz
Power cord (included) [Type]	(Yes) [240V; NEMA 6-15, 3-prong]
Power cord length	63" (full length)
Drain hose length	78" (full length)
Door hinge	Right side (reversible)

Dimensions & Weight

Overall dimensions (HxWxD)	33 1/4" x 23 1/2" x 26"
Net weight	128 lbs
Minimum stack height	67 3/4"
ADA compliance [†]	Meets ADA height and access requirements <i>when installed on pedestal.</i> Meets ADA operable parts requirements for controls and lint filter.

*Stated circuit breaker size is if the appliance is plugged into an individual 240/208V, 15A minimum branch circuit.

[†]To be fully ADA compliant, these units must be installed according to ADA guidelines.

Please check current ADA requirements for guidance on installation.

24" Compact Dryers



500 Series (Heat Pump) Home Connect
WQB245B0UC

- + Home Connect® Controls Dryer Remotely
- + Recognized as ENERGY STAR® Most Efficient of 2024
- Smart Dry
- + Self-cleaning Condenser™
- + Reversible Door
- + Stainless Steel Drum
- + Lower Noise 62 dBA



+ Indicates a step-up

500 Series

White – WQB245B0UC

General Properties

Dryer type	Heat pump	Condensing
Drum material	Stainless steel	Stainless Steel
Interior light	Yes (LED)	No
Ventless drying (no ducting)	Yes	Yes
Stackable	Yes with Stacking Kit Accessory	Yes with Stacking Kit Accessory
Silence level	62 dBA	67 dBA
Programs (No.), [Special]	(14) [Steam Restore, Sportswear]	(15), [Jeans, Heavy Duty]
Options (No.), [Special]	(8) [Smart Dry, Dryness Level]	(6), [Dry Level, Finished In]
Home Connect® (Wi-Fi enabled)	Yes	No
Energy consumption	125 kWh/yr	315 kWh/yr
ENERGY STAR® certified	Most Efficient 2024	Yes

Capacity

Capacity	4.0 cu. ft.	4.0 cu. ft.
----------	-------------	-------------

Design Elements

Door ring	Chrome	White
Control type	Premium LED touch	Touch
Dial	Illuminated jog dial	White
Bosch logo on door glass	Yes	No

Technical Details

Energy source	Electric	Electric
Watts	900 W	2,520 W
Circuit breaker	15 A*	15 A*
Volts	208/220-240 V	208/220-240 V
Current	4 A	10.5 A
Frequency	60 Hz	60 Hz
Power cord (included) [Type]	(Yes) [240V; NEMA 6-15, 3-prong]	(Yes) [240V; NEMA 6-15, 3-prong]
Power cord length	63" (full length)	63" (full length)
Drain hose length	78" (full length)	78" (full length)
Door hinge	Right side (reversible)	Right side (not reversible)

Dimensions & Weight

Overall dimensions (HxWxD)	33 1/4" x 23 1/2" x 26"	33 1/4" x 23 1/2" x 25"
Net weight	126 lbs	94 lbs
Minimum stack height	67 3/4"	67 3/4"
ADA compliance [†]	Meets ADA height and access requirements <i>when installed on pedestal.</i> Meets ADA operable parts requirements for controls and lint filter.	

*Stated circuit breaker size is if the appliance is plugged into an individual 240/208V, 15A minimum branch circuit.

[†]To be fully ADA compliant, these units must be installed according to ADA guidelines.

Please check current ADA requirements for guidance on installation.



300 Series (Condensing)
WTG86403UC

- Washer Plugs into Dryer Adapter for Easy Installation (accessory purchase required)
- Intelligent Sensors Prevent Over Drying
- Anti-vibration Circular Side Walls
- Quick 40 Minute Program
- ENERGY STAR® Certified
- Low Noise 67 dBA

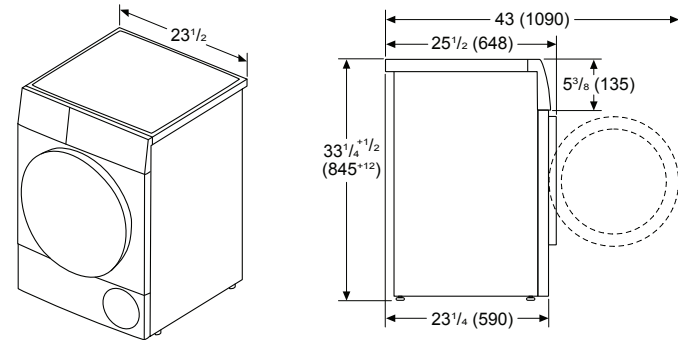


300 Series

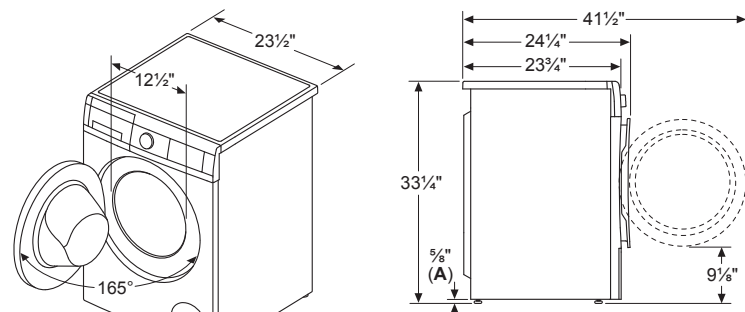
White – WTG86403UC

24" Compact Washers

800 Series and 500 Series Dimensions and

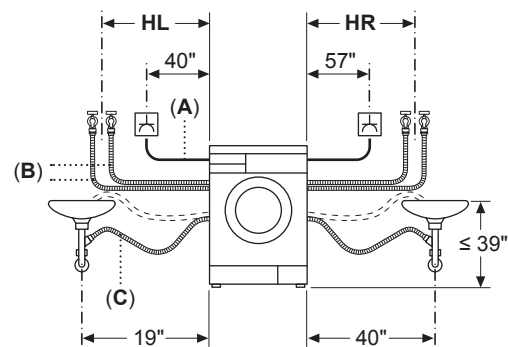


300 Series Dimensions and

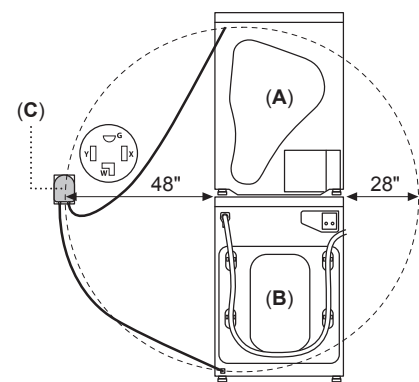


A: 5/8" nominal; 1/2" minimum; 1" maximum

800 Series, 500 Series and 300



Reach of Power cords + Adapter (Not to Scale)

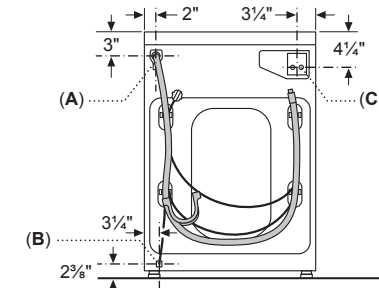


A: Dryer
B: Washer
C: Power Adapter
All references to NEMA 14-30R Dryer receptacles in this document have the orientation with the ground pin up.

Use of two individual NEMA 6-15R or 6-20R receptacles may be used as alternative means to power Washer and Dryer.

Dimensions reflect use of stacking kits.

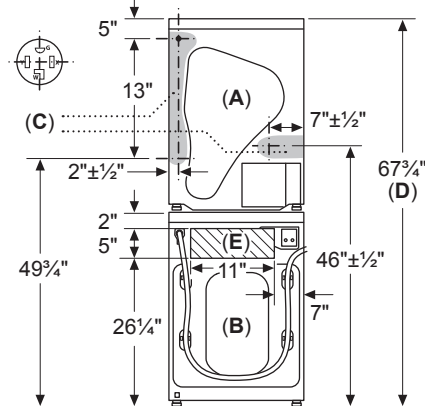
800 Series, 500 Series and 300



A: Drain exit
B: Power cord exit
C: Supply hoses (Hot and Cold)

800 Series, 500 Series and 300 Series

Guidance for location of Dryer receptacle and Water taps to minimize depth allowance (Not to Scale)



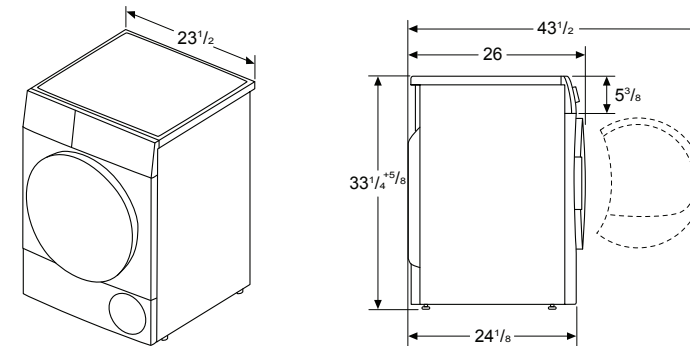
A: Dryer
B: Washer
C: Axis lines, in shaded areas, indicate Center Line of home's Dryer receptacle for minimal depth allowance if located entirely behind appliances.
D: Minimum Stack Height (with Stacking Kit)
E: Hatched area - indicates location for home's Hot and Cold water taps/outlets for minimal depth if located entirely behind appliances.

Installer / Customer is responsible for fit, function, maintenance and safety of utility installation.

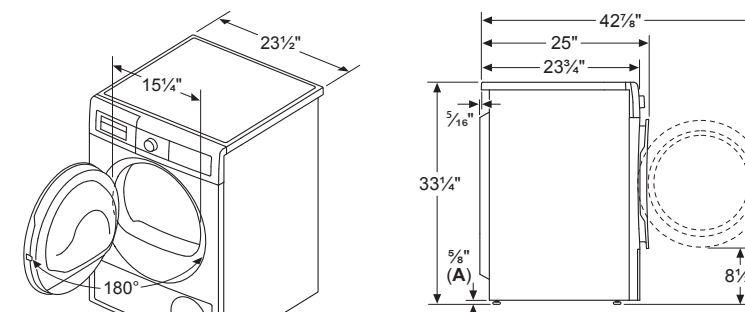
measurements in inches

24" Compact Dryers

800 Series, 500 Series Dimensions and installation



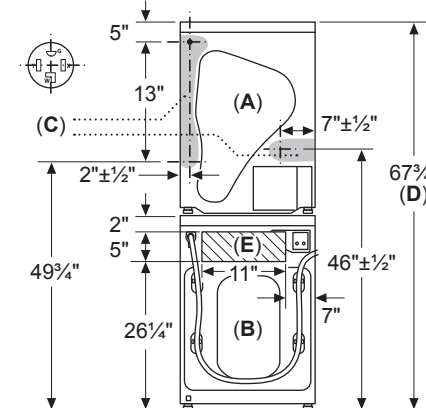
300 Series Dimensions and installation



A: 5/8" nominal; 1/2" minimum; 1" maximum

800 Series, 500 Series and 300 Series

Guidance for location of Dryer receptacle and Water taps to minimize depth allowance (Not to Scale)

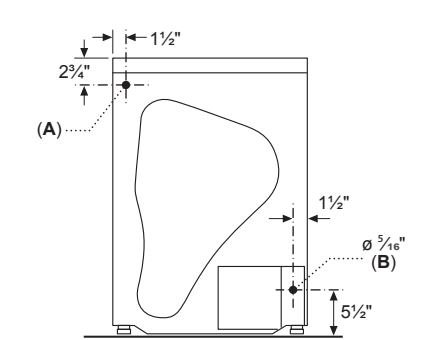


A: Dryer
B: Washer
C: Axis lines, in shaded areas, indicate Center Line of home's Dryer receptacle for minimal depth allowance if located entirely behind appliances.
D: Minimum Stack Height (with Stacking Kit)
E: Hatched area - indicates location for home's Hot and Cold water taps/outlets for minimal depth if located entirely behind appliances.

Installer / Customer is responsible for fit, function, maintenance and safety of utility installation.

measurements in inches

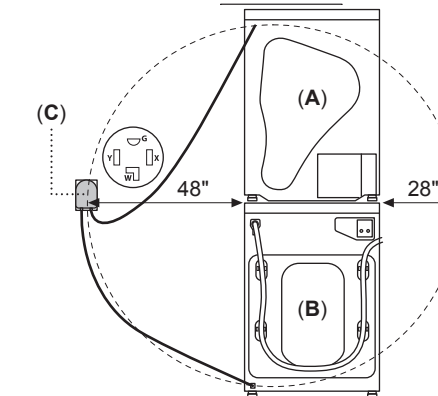
800 Series, 500 Series and



A: Power cord exit
B: Drain exit

800 Series, 500 Series and 300 Series

Reach of Power cords + Adapter (Not to Scale)



A: Dryer
B: Washer
C: Power Adapter
All references to NEMA 14-30R Dryer receptacles in this document have the orientation with the ground pin up.

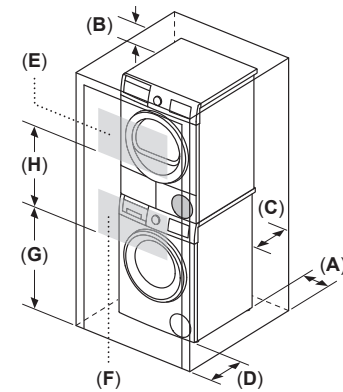
Use of two individual NEMA 6-15R or 6-20R receptacles may be used as alternative means to power Washer and Dryer.

Dimensions reflect use of stacking kits.

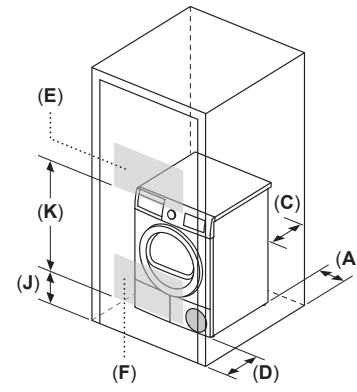
24" Washers and Dryers Installed in Enclosure

Enclosure

Closet: Stacked Washer and Condensation Dryer



Closet: Stand Alone (shown) or Side by Side

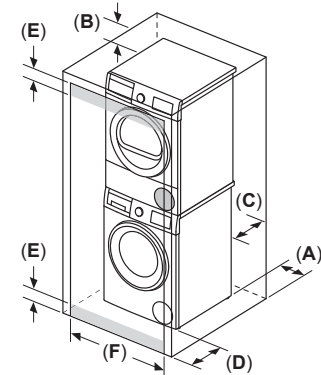


Minimum clearance requirements
(Stacked, Stand Alone or Side by Side):
A: Both sides (left and right) – 5/8"
B: Top – 6 1/4"
C: Rear – 2 1/2"
D: Front – 2 1/2"

Minimum louvered area and spacing:
E: Top louver area – 63 sq. in.
F: Bottom louver area – 63 sq. in.
G: Lower Height (stacked) – 37"
H: Upper Height (stacked) – 26"
J: Lower Height (stand alone) – 3"
K: Upper Height (stand alone) – 29"

For shortest drying times keep closet door open while dryer is operating. When closet doors are closed, open areas only allow minimal drying results (expect long drying times).

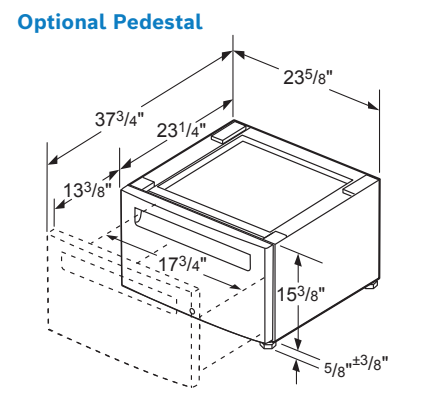
Closet: Stacked Washer with Heat Pump Dryer



Minimum clearance requirements
(Stacked, Stand Alone or Side by Side):
A: Both sides (left and right) – 1/2"
B: Top – 6 1/4"
C: Rear – 3"
D: Front – 1/2"

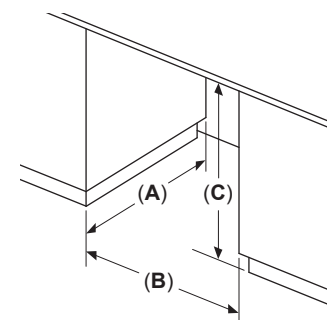
Minimum door undercut (louvered area):
E: Undercut height (Top and Bottom) – 1 1/4"
Louvered areas of equal total sizes and split between upper and lower portions of door are permitted.
F: Undercut width (Top and Bottom):
– 24" minimum for Stacked and Stand Alone
– 48" minimum for Side by Side

For shortest drying times keep closet door open while dryer is operating. When closet doors are closed, open areas only allow minimal drying results (expect long drying times).



All 800-500-300 Series Washers & Dryers

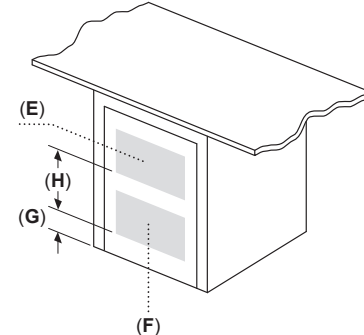
Under Counter (Preferred)



Minimum opening dimensions:
A: Depth – 28"
B: Width – 23 7/8"
C: Height – 34 1/2"
Front of appliance fully open.
No doors or coverings.

300 Series Washers & Condensate Dryers

Under Counter Enclosed (Less Preferred)



If the front of the appliance is covered, louvered openings must be installed as shown and front/rear clearances adhered to according to closet installations.

Minimum louvered area and spacing:
E: Top louver area – 63 sq. in.
F: Bottom louver area – 63 sq. in.
G: Lower Height – 3"
H: Upper Height – 14"

For shortest drying times keep cabinet door open while dryer is operating. When cabinet door is closed, open areas only allow minimal drying results (expect long drying times).

Washer Programs

	300 Series	500 Series	800 Series
Cotton	✓	✓	✓
Cotton Light Soil	✓		
Perm Press Light Soil	✓		
Perm Press Heavy Soil	✓		
Perm Press	✓		
Towels	✓	✓	✓
Whites		✓	✓
Allergen	✓		
Sanitize		✓	✓
Jeans	✓	✓	✓
Heavy Duty	✓		
Bedding		✓	✓
Quick 40	✓		
Quick 30	✓		
SuperQuick 15/30™		✓	✓
Mix		✓	✓
Delicates	✓	✓	✓
Hand Wash/Wool	✓	✓	✓
Rinse/Spin	✓		
Drain	✓		
Rinse		✓	
Spin/Drain		✓	✓
Drum Clean	✓	✓	✓
Automatic			✓

Washer Options

- ▶ Temperature Selection
- ▶ Spin Speed Selection
- ▶ Finish In
- ▶ Extra Rinse**
- ▶ Prewash
- ▶ SpeedPerfect®
- ▶ Remote Start*
- ▶ Stains*
- ▶ Rinse Plus*
- ▶ Favorite*
- ▶ Mini Load*

Dryer Programs

	300 Series	500 Series	800 Series
Cotton	✓	✓	✓
Cotton Extra Dry	✓		
Permanent Press Dry	✓		
Permanent Press Damp	✓		
Permanent Press Extra	✓		
Towels	✓	✓	✓
Sanitize	✓	✓	✓
Jeans	✓	✓	✓
Heavy Duty	✓		
Bedding		✓	✓
Quick 40	✓		
Quick Dry Auto	✓	✓	✓
Mix		✓	✓
Sportswear		✓	✓
Anti-Shrink		✓	
Time Dry	✓	✓	✓
Delicates	✓	✓	✓
Hand Wash/Wool	✓	✓	✓
Air Fluff/No Heat	✓	✓	✓
Steam Restore			✓

Dryer Options

- ▶ Dry Level
- ▶ Finish In
- ▶ Low Heat
- ▶ Wrinkle Block
- ▶ Start/Pause
- ▶ Remote Start*
- ▶ End Signal

24" Washer and Dryer Accessories

Pedestals and Stacking Kits



WMZPW2XW
Washer Pedestal
800 Series



WTZPW2XD
Dryer Pedestal
800 Series



WMZPW20W
Washer Pedestal
500-300 Series



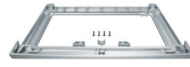
WTZPW20D
Dryer Pedestal
500-300 Series



WTZSB30UC
Stacking Kit with Brackets
500-300 Series



WTZ2750XUC
Stacking Kit With Shelf
800 Series



WTZ2751XUC
Stacking Kit
Without Shelf
800 Series



WTZ27500UC
Stacking Kit With Shelf
500-300 Series



WTZ27510UC
Stacking Kit
Without Shelf
500-300 Series



WTZ11400UC
Stacking Kit With Shelf
500-300 Series



WTZ20410UC
Stacking Kit
Without Shelf
300 Series

Additional Accessories



WTZPA20UC
4-Prong Power Adapter
(Included With Dryer)*
800-500-300 Series



WTZPA30US
3-Prong Power Adapter**
800-500-300 Series



WMZ20600
Drying Rack
800-500-300 Series



P/N 645787
Short Stainless Steel
Hose (If Needed for
Plumbing Box Clearance
with AQS Hose)
800-500 Series

*Bosch Dryers are supplied with WTZPA20UC adapter to fit a standard 4-Prong, 30A, Dryer receptacle (NEMA 14-30R) to power both Bosch Washers and Dryers. **3-Prong Adapter may be ordered directly from Bosch (not supplied with Washer or Dryer). Use of two individual NEMA 6-15R or 6-20R receptacles/circuits may be used as alternative means to power Washer and Dryer.



Service you can trust.

The Bosch Customer Support Team is ready to help. Please don't hesitate to contact us if you have questions on our product line, need advice about use and care, or would like to purchase parts and accessories. We are ready to assist you.

Website:

- ▶ How-to Videos
- ▶ Frequently Asked Questions
- ▶ Filters, Accessories and Parts
- ▶ Owner Manuals
- ▶ Product Registration
- ▶ Find a Dealer
- ▶ Find a Bosch Authorized Servicer

Bosch Home Appliances US:
www.bosch-home.com/us

Bosch Home Appliances Canada:
www.bosch-home.ca

Phone:

- ▶ 24-Hour Call Center Access
- ▶ English, French, Spanish

1-800-944-2904

Warranty:

- ▶ Limited warranty for entire appliance, parts and labor (1 year)
- ▶ Limited warranty for non-electronic components; parts only (1st to 2nd year)
- ▶ Limited warranty for control board (microprocessor); parts only (1st to 2nd year)
- ▶ Limited warranty for motor or any component of the motor (1st year to 2nd year)

Please visit Bosch website to review the Use & Care Manual for full warranty terms.

Important note: Please refer to installation instructions prior to making cutout. BSH reserves the absolute and unrestricted right to change product materials and specifications, at any time, without notice. Consult the product's installation instructions for final dimensional data and other details. Applicable product warranty can be found in accompanying product literature or you may contact your account manager for further details.

For more information on our entire line of products, go to www.bosch-home.com/us or call 1-800-944-2904

Bosch Home Appliances

1901 Main St., Suite 600
Irvine, CA 92614

www.bosch-home.com/us

24-hour call center support in English

1-800-944-2904

©2024 BSH Home Appliances Corporation

All rights reserved. Bosch is a registered trademark of Robert Bosch GmbH.

24-BOS-1828 9/24