

Invented for life



**BOSCH**

# Built-in & Freestanding product brochure 2024



# Who are Bosch?



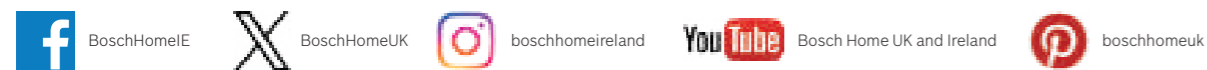
“I have always acted according to the principle that it is better to lose money than trust. The integrity of my promises, the belief in the value of my products and in my word of honour have always had a higher priority to me than a transitory profit.”

Robert Bosch, 1921

For over 130 years, the Bosch name has been synonymous with engineering excellence. Our home appliances are renowned for their quality, reliability and performance which derives from our inherent, unflagging commitment and the painstaking thoroughness with which every unit is made. As you would expect from Bosch, there are no gimmicks or frills with our products – just pure, clean lines and beautiful, functional simplicity that will enhance any kitchen.

The values that shaped Robert Bosch’s vision for his new company in 1886 are the same principles that guide the business today; never lose the trust of your customers, look after your staff and partners and change things for the better. It’s what has kept Bosch at the forefront of the home appliance industry and what will keep it there in the future.

Follow us to learn more on:



# Contents

Customer service	2-3	<b>Hoods</b>	<b>50-64</b>	<b>Dishwashers</b>	<b>88-103</b>
Home Connect	4-5	Introducing the Bosch hood range	50-51	Introducing the Bosch dishwasher range	88-91
<b>Ovens</b>	<b>6-23</b>	Glass draft hoods	52	60cm integrated dishwashers	92-96
Introducing the Bosch oven range	6-9	Ceiling hoods	53	45cm integrated dishwashers	97
Single ovens	10-13	Angled hoods	54-55	60cm freestanding dishwashers	98-102
Double ovens	14-15	Glass chimney hoods	56	45cm & compact freestanding dishwashers	103
Compact ovens	16-17	Box chimney hoods	57-58	<b>Dishwasher installation guide &amp; accessories</b>	<b>104-105</b>
Microwave ovens	18-21	Pyramid chimney hoods	59-60	<b>Refrigeration</b>	<b>106-135</b>
Warming drawers	22	Canopy hoods	61	Introducing the Bosch refrigeration range	106-111
Smart coffee centre	23	Telescopic, integrated and built-under hoods	62-64	Integrated refrigeration	112-119
<b>Ovens installation guide &amp; accessories</b>	<b>24-27</b>	<b>Hoods installation guide &amp; accessories</b>	<b>65-69</b>	Multi-door refrigeration	120-121
<b>Hobs</b>	<b>28-43</b>	<b>Laundry</b>	<b>70-85</b>	Wine coolers	122-123
Introducing the Bosch hob range	28-31	Introducing the Bosch laundry range	70-76	Freestanding refrigeration	124-135
Venting hobs	32-33	Built-in laundry range	77	<b>Refrigeration installation guide &amp; accessories</b>	<b>136-139</b>
Flex Induction hobs	34	Washing machines	78-80	<b>Small appliances</b>	<b>140-143</b>
Induction hobs	36-38	Washer Dryers	81-82	Vacuum cleaners	140-141
Electric hobs	39	Tumble Dryers	83-85	Coffee machines	142
Gas hobs	40-43	<b>Laundry installation guide &amp; accessories</b>	<b>86-87</b>	Food preparation	143
<b>Hobs installation guide &amp; accessories</b>	<b>44-49</b>			Kettles & toasters	143



# Award-winning Customer Service



Total  
Excellence  
+ Quality  
Winner 2023  
D&G Domestic  
& General

In 2023, Bosch was awarded for the ninth time Domestic & General's Total Excellence & Quality award which is given to manufacturers based on customer surveys following the repair.

## Trust Bosch Customer Service to help you with the following:

- Troubleshooting support and arranging a repair for your Bosch appliance
- Accessing your Bosch appliance's instruction manual and other documentation
- Registering your Bosch appliance and extending its warranty further
- Locating and purchasing spare parts, accessories and care products
- Support with product advice and choosing a new Bosch appliance

Visit us online at:

**UK:** [www.bosch-home.co.uk/customer-service](https://www.bosch-home.co.uk/customer-service)  
**Ireland:** [www.bosch-home.ie/customer-service](https://www.bosch-home.ie/customer-service)

Explore more at [bosch-home.co.uk](https://www.bosch-home.co.uk) / [bosch-home.ie](https://www.bosch-home.ie)

Call us on:

**UK:** 0344 892 8979  
**Ireland:** 01450 2655

Our contact centre opening times are available on our website. Calls are charged at the basic rate. Please check with your telephone service provider for exact charges.

## Online Help and Support

You can visit our website for help and support with appliance troubleshooting, usage and maintenance, installation, getting started, helpful videos, and more.

Visit us online at:

**UK:** [www.bosch-home.co.uk/customer-service/get-support](https://www.bosch-home.co.uk/customer-service/get-support)  
**Ireland:** [www.bosch-home.ie/customer-service/get-support](https://www.bosch-home.ie/customer-service/get-support)

## Repair Service

Our trained and qualified engineers repair large Bosch appliances at your home and small Bosch appliances in our workshop, and they are based locally around the UK. In some areas of the UK we use selected and approved service partners to carry out repairs on our behalf.

You can book a repair by calling our customer service team or alternatively you can book a repair online.

Visit us online at:

**UK:** [www.bosch-home.co.uk/customer-service/repair-service](https://www.bosch-home.co.uk/customer-service/repair-service)  
**Ireland:** [www.bosch-home.ie/customer-service/repair-service](https://www.bosch-home.ie/customer-service/repair-service)

## Warranty

All Bosch appliances are supplied with a Two Year Manufacturer's Warranty as standard, but did you know that you can also extend this warranty to a total of five years for added peace of mind with the Bosch Extended Warranty?

Learn more about your appliance's warranty and options to extend your warranty by speaking to our customer service team, or visit our website for more information. From time to time, Bosch may present additional warranties on either products or defined components of a product which are time limited offers, to check if your product qualifies, please contact us, or go online at <https://www.bosch-home.ie/customer-service>

## Accessories and Care

We offer a range of tested and approved cookware, accessories and care products to enhance your Bosch appliances and keep them working at their best for longer.

Shop online at:

**UK:** <https://www.bosch-home.co.uk/store>  
**Ireland:** <https://www.bosch-home.ie/store>

## Spare Parts

Bosch keeps comprehensive range of original replacement spare parts for up to 15 years for large appliances and up to 10 years for small appliances\*. You can browse our exploded view diagrams and purchase spare parts on our website, or you can call our customer service team who can help you to find and purchase the spare parts you need.

\*Exact duration may vary per model. Bosch Home Appliances must have been manufactured after 1st January 2023.

Find spare parts online at:

**UK:** <https://www.bosch-home.co.uk/customer-service/spare-parts-search>  
**Ireland:** <https://www.bosch-home.ie/customer-service/spare-parts-search>

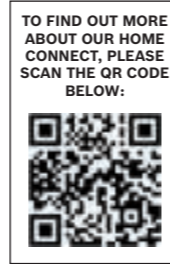


TO FIND OUT  
MORE ABOUT  
OUR CUSTOMER  
SERVICE, PLEASE  
SCAN THE QR CODE  
BELOW:



Bosch appliances with Home Connect are designed to fit seamlessly into your routine. They provide you with a simple solution to get the most out of your appliances and give you the comfort of control from wherever you are.

Whether that be automatic replenishment, expert help on choosing the best cycle for your clothes and the environment, or voice control when your hands are full. Home Connect is the perfect personalisation solution.



### When all is said and done

Use voice control with Amazon Alexa or Google Home for a quicker and more convenient way to get things done. Great for multi-tasking, when you're away from the kitchen or when your hands are full.



### Personalise your control

Monitor the progress of your appliances from the comfort of your sofa via your smartwatch, phone or ask for updates using voice control with Alexa or Google Home.

### Simple to set up, simple to use.

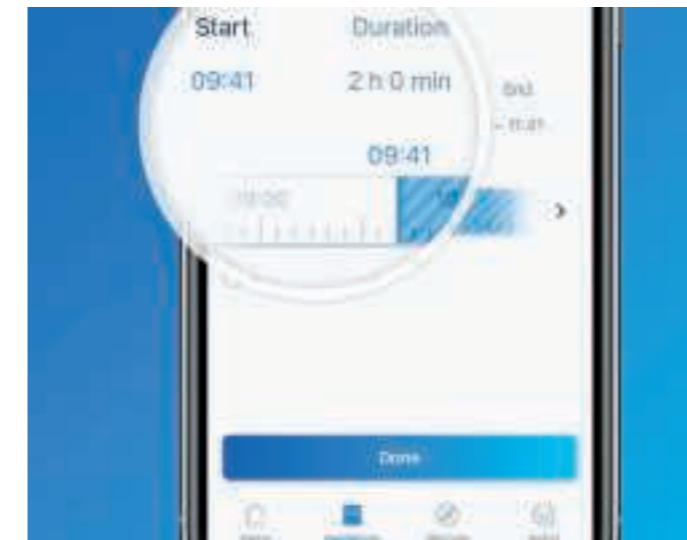
There's no need to worry if you're not a technical genius. The Home Connect app is simple and straightforward to set up. You'll also find lots of useful articles to help you get the most out of your appliances and learn new skills. If you do need a helping hand, you can call our Customer Service team on: **01450 2655** or email **info.uk@Home-Connect.com**.

### You can trust us.

Home Connect uses the same security protocol as online banking, so you can enjoy extra peace of mind when you're using your Bosch appliances. Our app has TUV Trusted App certification, and all of our Home Connect appliances are Wi-Fi certified by the Wi-Fi Alliance.



Look out for the Home Connect logo for more information on Home Connect features



### Home Connect

#### Optimise your energy usage with Home Connect

The Home Connect app can help you be energy efficient. Use Home Connect, your voice assistant or smartwatch to control the start time of your appliances down to the minute, so you can avoid using energy at peak times and wash your dishes for less\*.

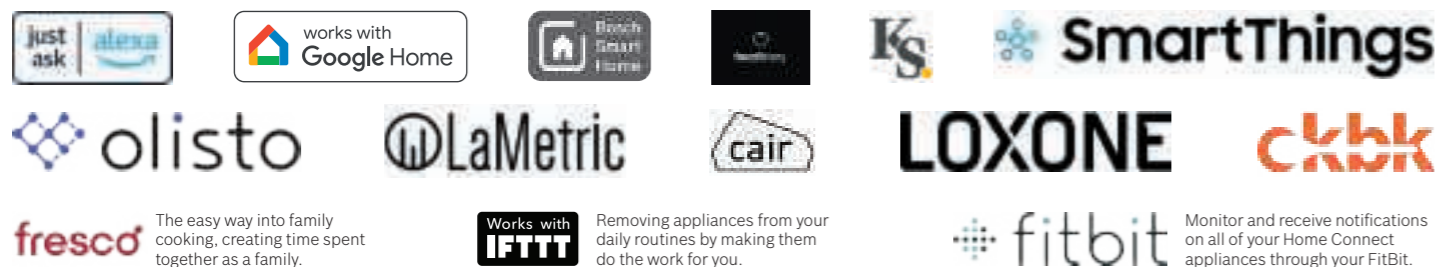
\*Cost will depend on your energy provider and contract. Available on selected models only.

### Never run out of dishwasher tablets again

Avoid running out of dishwasher tablets by linking your dishwasher to the Smart Finish service and automatically receive your tablets to your door when you're running low.



Home Connect | in partnership with



### Why not try the app?

Experience it yourself by downloading the free Home Connect app. You can test the app with demo appliances to get to grips with the features.



Home Connect is a service offered by Home Connect GmbH. For more information on Home Connect please visit [www.bosch-home.co.uk](http://www.bosch-home.co.uk)



## Perfect results at your fingertips.

Check model for available functions.

TO FIND OUT MORE ABOUT OUR SERIES 8 OVEN RANGE, PLEASE SCAN THE QR CODE BELOW:



## The easy way to healthy cooking results.

With their impressive technology, elegant design and crystal clear TFT touchDisplay, our Series 8 ovens meet every need and more in the kitchen. The innovative Digital Control Ring engraved into the glass with TFT touchDisplay, provides convenience and functionality with full control over your dishes at all times. Plus, thanks to sensor-controlled programmes, you'll achieve perfect results every time.

### Digital Control Ring with TFT touchDisplay

Clear, vivid images and info texts in the inner ring of the engraved

Digital Control Ring assist you through each step, supported by the high-resolution, plain-text TFT touchscreen and integrated, directly selectable buttons.



### Digital Control Ring with TFT touchDisplay Plus

Clear, vivid images and info texts in the inner ring of the engraved Digital

Control Ring assist you through each step, supported by the full-surface, high-resolution, plain-text TFT touchscreen and directly selectable buttons.



### Digital Control Ring with TFT touchDisplay Pro

Clear, vivid images and info texts in the inner ring of the engraved Digital

Control Ring assist you through each step, supported by the 6.8-inch full-surface, high-resolution, plain-text TFT touchscreen and directly selectable buttons.



#### Perfect Steam

A precise sensor constantly measures the humidity level in the oven cavity and automatically regulates the steaming process, ensuring that the right level of water is used and turned to steam. Achieve the best steaming results with Perfect Steam.



#### Steam Function Plus

Steams at a temperature of up to 120°C, so your dishes are done faster and retain even more of their vitamins and nutrients. For example, green beans and carrots are ready up to 50% faster\*. Broccoli cooked using Steam Function Plus retains up to 54% more nutrients, while potatoes retain up to 25% more Vitamin C\*\*.



#### PerfectBake

PerfectBake sensor offers precise sensitivity and constantly measures the moisture level of dishes, as well as automatically regulating the baking process.



#### PerfectRoast meat probe

Three highly sensitive measuring points determine the core temperature of your food to the exact degree, guaranteeing perfect roasting results and taking away the guesswork.



#### Air Fry Function

Use the Air Fry Function for healthier, tastier and more crispy meals with hardly any oil. Perfect for anything from vegetables to poultry. Recommended with Air Fry & Grill Tray.



#### Pyrolytic self-cleaning

Heats the oven to around 480°C, which reduces dirt and grease residue to dust that can be easily wiped away.

#### Soft open & soft close

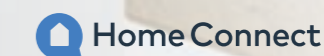
A special damping mechanism prevents oven doors from slamming shut. As you gently push the door shut, it stops just before closing and then shuts itself gently and quietly, thus guaranteeing a long life for both your oven and the oven door.

#### Level independent Telescopic Rails

Designed to clip to the standard factory fitted shelf support rails, that come as standard on selected models, they can be positioned independently on any of the 5 oven shelf positions in the main cavity in our Series 8 ovens.

#### Oven assistant

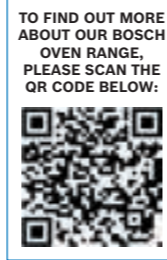
Find the perfect cooking programme, settings and duration for your dish every time with Home Connect's Oven Assistant. Search for your dish and ensure your meal is cooked to perfection using the optimal programme.



For full specification details, please log onto our website and download a full specification sheet.

\*Steam Functions Plus compared to 100°C Steam, BSH laboratory test.  
\*\*Steam Function Plus compared to cooking in boiled water, University of Hohenheim test results 5/2022 and 10/2022.

Whatever kind of cook you are, we have a range of smart and stylish built-in single or double ovens for you to choose from. Serve up vitamin-packed meals using one of our innovative steam ovens or, if limited on space, our easy-to-use microwaves and compact appliances will bring style and function to any kitchen.



## Series 8

With their impressive technology, elegant design and sensor-controlled programmes, our **Series 8** ovens meet every need and more in the kitchen. The innovative control wheel provides full control over your dishes at all times.



Model shown: HBG7784B1

## Series 6

If you need that extra bit of cooking capacity but don't have the space for two single ovens, choose our **Series 6** double oven. You won't need to compromise on features either, with Pyrolytic self-cleaning in both cavities and various of other easy to use programmes to suit different foods.



Model shown: MBA5785S6B

## Series 4

Modern design, quality engineering and practicality. Our **Series 4** oven range looks stunning inside and out. Easy to use functionality with a selection of cooking programmes to choose from, now available in stylish all-black design.



Model shown: HBS573BB0B

## Compact ovens with microwave



Model shown: CMG778NB1

## Compact microwave combination ovens



Model shown: CMA583MB0B

## Warming drawers



Model shown: BIC510NB0

## Built-in coffee machine



Model shown: CTL7181B0

Cooking appliances can be arranged both horizontally and vertically, depending on the space you have in your kitchen.

### Combination design.

Using the highest quality stainless steel and glass, our ovens and compact appliances combine beautifully to deliver a timeless, elegant and stylish finish to any kitchen with sleek, coordinated lines and matching panels.

### Combination possibilities.

Create seamless lines in your kitchen with our Series ranges by combining a single oven together with one of our compact appliances and warming drawers. For the optimum in design co-ordination, choose appliances belonging to the same Series family to create harmonious lines in your kitchen.

## Selecting the right oven and combination for your kitchen.

Whether you're designing a new kitchen or simply updating one of your appliances, we have a wide variety of cooking products available for you to choose from. Depending on the space you have in your kitchen, you can choose from a single product or combination.

### Single ovens



Model shown: HBG7784B1

### Double ovens



Model shown: MBA5785S6B

### Double built-under ovens



Model shown: NBS533BS0B

### Compact steam ovens



Model shown: CSG7584B1

## Cooking functions explained.

Check model for available functions.



### 4D Hotair

Place your food on any of the four shelf levels to achieve consistently perfect results: thanks to the fan wheel that heats evenly on every level.



### 3D Hotair

By maintaining the right temperature across three shelf levels, consistently even cooking results are achieved.



### Pyrolytic self-cleaning

Heats the oven to around 480°C, which reduces dirt and grease deposits to dust that can be easily wiped away.



### Eco Clean Direct

Almost no cleaning is necessary thanks to a special coating of the rear wall that automatically absorbs grime.



### Added Steam

Produces succulent roasts, with juicy meats and crispy skins, as well as breads with the perfect colour and crust.



### PerfectBake Plus

Perfect Bake Plus is a humidity controlled baking sensor that measures the moisture level of dishes. This automatically regulates the baking process.



### Air Fry Function

Use the Air Fry Function for healthier, tastier and more crispy meals with hardly any oil. Perfect for anything from vegetables to poultry. Recommended with Air Fry & Grill Tray.



### PerfectRoast meat probe

Three highly sensitive measuring points determine the core temperature of your food to the exact degree, guaranteeing perfect roasting results and taking away the guesswork.

(Available in selected Series 8 models only)



### Defrost

Gently defrosts food evenly and quicker than it would take on the kitchen counter.



OVEN TYPE	PYROLYTIC	PYROLYTIC WITH MICROWAVE FUNCTION	PYROLYTIC WITH ADDED STEAM
DESIGN FAMILY	SERIES 8	SERIES 8	SERIES 8
BRUSHED STEEL	-	-	-
BLACK	HBG7784B1	HMG7764B1B	HRG7764B1B
WHITE	-	-	-
<b>KEY FEATURES</b>			
Control Wheel, TFT Touchdisplay & ClearText	Pro	Plus	Plus
Control dials / White LCD or Red LED Display	-	-	-
Electronic control	●	●	●
Soft close / open drop down door	●	●	●
Home Connect	●	●	●
Bosch Assist	●	●	●
PerfectBake Sensor	●	●	●
Automatic cooking programmes	14	20	20
Perfect Roast Multi-point temperature probe	●	●	●
Single-point temperature probe	-	-	-
Added steam	-	-	●
Pyrolytic self cleaning function	●	●	●
Eco Clean Direct®	-	-	-
<b>ADDITIONAL PROGRAMMES / FUNCTIONS</b>			
Air Fry	●	●	●
Hotair: 3D / 4D	4D	4D	4D
Conventional top & bottom heat / bottom heat only	●	●	●
Hotair / Conventional Gentle	●	●	●
Hotair grilling	●	●	●
Full width / Half width variable grill	●	●	●
Pizza Setting / Intensive Setting	●/-	●/-	●/-
Low temperature cooking	●	●	●
Defrost	●	●	●
Keep warm / Plate warming	●	●	●
Dehydrate	-	-	-
Fast heat	●	●	●
<b>PERFORMANCE / TECHNICAL INFORMATION</b>			
Oven capacity (L)	71	67	71
Energy efficiency index (%) <sup>1</sup>	81.2	81.2	81.2
Energy efficiency class <sup>1</sup>	A+	A+	A+
Energy consumption per cycle Hotair (kWh) <sup>1</sup>	0.69	0.69	0.69
Energy consumption per cycle conventional (kWh) <sup>1</sup>	0.87	0.87	0.87
Time to cook standard load (mins.) <sup>1</sup>	42	42	44
Largest baking sheet area (cm <sup>2</sup> )	1290	1290	1290
Total connected loading (W)	3600	3600	3600
Cable length (cm)	120	120	120
Water tank capacity (L)	-	-	1
<b>STANDARD ACCESSORIES</b>			
Wire Shelves / Full width enamelled pan	2 / 1	2 / 1	2 / 1
Two-piece slim pan set	-	-	-
Fixed level telescopic shelves	-	-	-
Level Independent telescopic rail	-	-	-

● = yes - = no  
<sup>1</sup> According to Regulation (EU) No 65/2014 (models with integral microwave or steam only are exempt)

OVEN TYPE	PYROLYTIC	PYROLYTIC	PYROLYTIC	PYROLYTIC
DESIGN FAMILY	SERIES 8	SERIES 8	SERIES 4	SERIES 4
BRUSHED STEEL	-	-	HRS574BS0B	HBS573BS0B
BLACK	HBG7764B1B	HBG7741B1B	-	HBS573BS0B
WHITE	-	-	-	-
<b>KEY FEATURES</b>				
Control Wheel, TFT Touchdisplay & ClearText	Plus	●	-	-
Control dials / White LCD or Red LED Display	-	-	● / Red	● / Red
Electronic control	●	●	●	●
Soft close / open drop down door	●	●	-	-
Home Connect	●	●	-	-
Bosch Assist	●	●	-	-
PerfectBake Sensor	●	-	-	-
Automatic cooking programmes	14	14	10	10
Perfect Roast Multi-point temperature probe	●	-	-	-
Single-point temperature probe	-	-	-	-
Added steam	-	-	●	-
Pyrolytic self cleaning function	●	●	●	●
Eco Clean Direct®	-	-	-	-
<b>ADDITIONAL PROGRAMMES / FUNCTIONS</b>				
Air Fry	●	●	-	-
Hotair: 3D / 4D	4D	3D	3D	3D
Conventional top & bottom heat / bottom heat only	●	●	●	● / -
Hotair / Conventional Gentle	●	●	●	●
Hotair grilling	●	●	●	●
Full width / Half width variable grill	●	●	-	-
Pizza Setting / Intensive Setting	● / -	● / -	● / -	-
Low temperature cooking	●	●	-	-
Defrost	●	●	-	-
Keep warm / Plate warming	●	●	-	-
Dehydrate	-	-	-	-
Fast heat	●	●	-	●
<b>PERFORMANCE / TECHNICAL INFORMATION</b>				
Oven capacity (L)	71	71	71	71
Energy efficiency index <sup>1</sup>	81.2	81.2	95.3	95.3
Energy efficiency class <sup>1</sup>	A+	A+	A	A
Energy consumption per cycle Hotair (kWh) <sup>1</sup>	0.69	0.69	0.81	0.81
Energy consumption per cycle conventional (kWh) <sup>1</sup>	0.87	0.87	0.99	0.99
Time to cook standard load (mins.) <sup>1</sup>	42	42	49.5	50
Largest baking sheet area (cm <sup>2</sup> )	1290	1290	1290	1290
Total connected loading (W)	3600	3600	2990	2990
Cable length (cm)	120	120	120	120
Water tank capacity (L)	-	-	0.2	-
<b>STANDARD ACCESSORIES</b>				
Wire Shelves / Full width enamelled pan	2 / 1	2 / 1	2 / 1	2 / 1
Two-piece slim pan set	-	-	2	●
Fixed level telescopic shelves	-	-	-	-
Level Independent telescopic rail	-	-	-	-

● = yes - = no  
<sup>1</sup> According to Regulation (EU) No 65/2014 (models with integral microwave or steam only are exempt)  
 5 year warranty - Offer dates: 01.04.24 - 31.03.25. T&C's apply. Online registration required. Selected models only.



OVEN TYPE	STANDARD	STANDARD	STANDARD
DESIGN FAMILY	SERIES 8	SERIES 8	SERIES 8
BRUSHED STEEL	-	-	-
BLACK	HSG7584B1	HSG7364B1B	HBG7341B1B
WHITE	-	-	-
<b>KEY FEATURES</b>			
Control Wheel, TFT Touchdisplay & ClearText	Pro	Plus	●
Control dials / White LCD or Red LED Display	-	-	-
Electronic control	●	●	●
Soft Close / Soft Open drop down door	●	●	●
Home Connect	●	●	●
Bosch Assist	●	●	●
PerfectBake Sensor	●	●	-
Automatic cooking programmes	23	21	14
Perfect Roast Multi-point temperature probe	●	●	-
Single-point temperature probe	-	-	-
Full steam	●	●	-
Added steam	●	●	-
Pyrolytic self cleaning function	-	-	-
Eco Clean Direct®	●	●	●
<b>ADDITIONAL PROGRAMMES / FUNCTIONS</b>			
Air Fry	●	●	●
Hotair: 3D / 4D	4D	4D	3D
Conventional top & bottom heat / bottom heat only	●	●	●
Hotair / Conventional Gentle	●	●	●
Hotair grilling	●	●	●
Full width / Half width variable grill	●	●	●
Pizza Setting / Intensive Setting	●	●	●
Low temperature cooking	●	●	●
Defrost	●	●	●
Keep warm / Plate warming	●	●	●
Dehydrate	●	-	-
Fast heat	●	●	●
<b>PERFORMANCE / TECHNICAL INFORMATION</b>			
Oven capacity (L)	71	71	71
Energy efficiency index <sup>1</sup>	81.2	81.2	81.2
Energy efficiency class <sup>1</sup>	A+	A+	A+
Energy consumption per cycle Hotair (kWh) <sup>1</sup>	0.69	0.69	0.69
Energy consumption per cycle conventional (kWh) <sup>1</sup>	0.87	0.87	0.87
Time to cook standard load (mins.) <sup>1</sup>	42	42	42
Largest baking sheet area (cm <sup>2</sup> )	1290	1290	1290
Total connected loading (W)	3600	3600	3600
Cable length (cm)	120	120	120
Water tank capacity (L)	1	1	-
<b>STANDARD ACCESSORIES</b>			
Wire Shelves / Full width enamelled pan	2 / 1	2 / 1	2 / 1
Two-piece slim pan set	-	-	-
Fixed level telescopic shelves	-	-	-
Level Independent telescopic rail	-	-	-

● = yes - = no  
<sup>1</sup> According to Regulation (EU) No 65/2014 (models with integral microwave or steam only are exempt)

OVEN TYPE	STANDARD	STANDARD	STANDARD
DESIGN FAMILY	SERIES 4	SERIES 4	SERIES 2
BRUSHED STEEL	HRS534BS0B	HBS534BS0B	HHF113BR0B
BLACK	-	HBS534BB0B	HHF113BA0B
WHITE	-	HBS534BW0B	-
<b>KEY FEATURES</b>			
Control Wheel, TFT Touchdisplay & ClearText	-	-	-
Control dials / White LCD or Red LED Display	● / Red	● / Red	● / Red
Electronic control	●	●	●
Soft Close / Soft Open drop down door	-	-	-
Home Connect	-	-	-
Bosch Assist	-	-	-
PerfectBake Sensor	-	-	-
Automatic cooking programmes	8	7	4
Perfect Roast Multi-point temperature probe	-	-	-
Single-point temperature probe	-	-	-
Added steam	●	-	-
Pyrolytic self cleaning function	-	-	-
Eco Clean Direct®	●	●	-
<b>ADDITIONAL PROGRAMMES / FUNCTIONS</b>			
Hotair: 3D / 4D	3D	3D	3D
Conventional top & bottom heat / bottom heat only	●	●	●
Hotair / Conventional Gentle	●	●	●
Hotair grilling	●	●	●
Full width / Half width variable grill	-	-	●
Pizza Setting / Intensive Setting	●	●	●
Low temperature cooking	-	-	-
Defrost	-	-	-
Keep warm / Plate warming	-	-	-
Dehydrate	-	-	-
Fast heat	●	●	-
<b>PERFORMANCE / TECHNICAL INFORMATION</b>			
Oven capacity (L)	71	71	66
Energy efficiency index <sup>1</sup>	95.3	95.3	95.2
Energy efficiency class <sup>1</sup>	A	A	A
Energy consumption per cycle Hotair (kWh) <sup>1</sup>	0.81	0.81	0.79
Energy consumption per cycle conventional (kWh) <sup>1</sup>	0.97	0.97	0.97
Time to cook standard load (mins.) <sup>1</sup>	43	50	50
Largest baking sheet area (cm <sup>2</sup> )	1290	1290	1290
Total connected loading (W)	2990	2990	2400
Cable length (cm)	120	120	120
Water tank capacity (L)	0.2	-	-
<b>STANDARD ACCESSORIES</b>			
Wire Shelves / Full width enamelled pan	2 / 1	2 / 1	2 / 1
Two-piece slim pan set	-	●	●
Fixed level telescopic shelves	-	-	-
Level Independent telescopic rail	-	-	-

● = yes - = no  
<sup>1</sup> According to Regulation (EU) No 65/2014 (models with integral microwave or steam only are exempt)





OVEN TYPE	BUILT-IN DOUBLE		BUILT-IN DOUBLE	
DESIGN FAMILY	SERIES 6		SERIES 4	
BRUSHED STEEL	MBA5785S6B		MBS533BS0B	
BLACK	-		MBS533BB0B	
WHITE	-		-	
KEY FEATURES	Main	2nd	Main	2nd
Control dials / White LCD or Red LED Display	● / White	-	● / Red	-
Electronic control	●	●	-	-
Automatic cooking programmes	10	4	5	3
Single-point temperature probe	●	-	-	-
Pyrolytic self cleaning function	●	●	-	-
Eco Clean Direct®	-	-	●	-
ADDITIONAL PROGRAMMES / FUNCTIONS	Main	2nd	Main	2nd
3D Hotair	●	-	●	-
Hotair Gentle	●	-	●	-
Defrost	●	-	-	-
Pizza Setting	●	-	-	-
Conventional top & bottom heat / bottom heat only	●	●	● / -	● / -
Full width variable grill	●	●	●	●
Half width variable grill	-	●	-	●
Hotair grilling	●	-	●	-
Low temperature cooking	●	-	-	-
Keep warm	●	-	-	-
Fast heat	●	-	●	-
PERFORMANCE / TECHNICAL INFORMATION	Main	2nd	Main	2nd
Oven capacity (L)	71	34	71	34
Energy efficiency index <sup>1</sup>	95.3	120.3	95.3	120.3
Energy efficiency class <sup>1</sup>	A	B	A	B
Energy consumption per cycle Hotair (kWh) <sup>1</sup>	0.81	-	0.81	-
Energy consumption per cycle conventional (kWh) <sup>1</sup>	1.02	0.83	1.02	0.83
Time to cook standard load (mins.) <sup>1</sup>	44	44	44	44
Largest baking sheet area (cm <sup>2</sup> )	1290		1290	
Total connected loading (W)	6300		5900	
STANDARD ACCESSORIES				
Wire Shelves / Full width enamelled pan	3 / 1		3 / 1	
Two-piece slim pan set	-		●	
Level Independent telescopic rail	1 Pair	-	-	-

● = yes - = no

<sup>1</sup> According to Regulation (EU) No 65/2014 (models with integral microwave or steam only are exempt)

OVEN TYPE	BUILT-IN DOUBLE		BUILT-UNDER DOUBLE	
DESIGN FAMILY	SERIES 2		SERIES 4	
BRUSHED STEEL	MHA133BR0B		NBS533BS0B	
BLACK	-		NBS533BB0B	
WHITE	-		-	
KEY FEATURES	Main	2nd	Main	2nd
Control dials / White LCD or Red LED Display	● / Red	-	● / Red	-
Electronic control	●	-	●	-
Automatic cooking programmes	5	3	5	3
Single-point temperature probe	-	-	-	-
Pyrolytic self cleaning function	-	-	-	-
Eco Clean Direct®	●	-	●	-
ADDITIONAL PROGRAMMES / FUNCTIONS	Main	2nd	Main	2nd
3D Hotair	●	-	●	-
Hotair Gentle	●	-	●	-
Defrost	-	-	-	-
Pizza Setting	-	-	-	-
Conventional top & bottom heat / bottom heat only	● / -	● / -	● / -	● / -
Full width variable grill	●	●	●	●
Half width variable grill	-	●	-	●
Hotair grilling	●	-	●	-
Low temperature cooking	-	-	-	-
Keep warm	-	-	-	-
Fast heat	●	-	●	-
PERFORMANCE / TECHNICAL INFORMATION	Main	2nd	Main	2nd
Oven capacity (L)	71	34	47	34
Energy efficiency index <sup>1</sup>	95.4	120.3	94.7	120.3
Energy efficiency class <sup>1</sup>	A	B	A	B
Energy consumption per cycle Hotair (kWh) <sup>1</sup>	-	-	0.71	-
Energy consumption per cycle conventional (kWh) <sup>1</sup>	-	0.83	0.84	0.83
Time to cook standard load (mins.) <sup>1</sup>	44	44	45	44
Largest baking sheet area (cm <sup>2</sup> )	1290		1290	
Total connected loading (W)	5900		5300	
STANDARD ACCESSORIES				
Wire Shelves / Full width enamelled pan	3 / 1		2 / 1	
Two-piece slim pan set	●		●	
Level Independent telescopic rail	-	-	-	-

● = yes - = no

All models comply with COMMISSION REGULATION (EC) No 1275/2008 with regard to ecodesign requirements for standby and off mode electric power consumption.



OVEN TYPE	COMPACT OVEN WITH STEAM	COMPACT OVEN WITH STEAM	COMPACT PYROLYTIC OVEN WITH MICROWAVE	COMPACT PYROLYTIC OVEN WITH MICROWAVE
DESIGN FAMILY	SERIES 8	SERIES 8	SERIES 8	SERIES 8
BRUSHED STEEL	-	-	-	-
BLACK	CSG7584B1	CSG7361B1	CMG778NB1	CMG7761B1B
<b>KEY FEATURES</b>				
Control Wheel, TFT Touchdisplay & ClearText	Pro	Plus	Pro	Plus
Control dials / White LCD or Red LED Display	-	-	-	-
Electronic control	●	●	●	●
Soft Close / Soft Open drop down door	●	●	●	●
Home Connect	●	●	●	●
Bosch Assist	●	●	●	●
Automatic cooking programmes	23	21	22	20
Pyrolytic self cleaning function	-	-	●	●
Eco Clean Direct®	●	●	-	-
<b>PROGRAMMES / FUNCTIONS</b>				
Air Fry	●	●	●	●
Hotair	●	●	●	●
Hotair Gentle	●	●	●	●
Conventional top & bottom heat / Bottom heat only	●	●	●	●
Hotair grilling	●	●	●	●
Full / half width variable grill	●	●	●	●
Pizza Setting	●	●	●	●
Low temperature cooking	●	●	●	●
Keep warm / Plate warming	●	●	●	●
Microwave	-	-	●	●
Microwave combined with Hotair, Top & bottom heat, Hotair Grilling, Grill	-	-	●	●
Microwave combined with Hotair / Grill	-	-	●	●
Microwave combined with Hotair Grilling	-	-	-	-
100% steam	●	●	-	-
Added Steam	●	●	-	-
Fast heat	●	●	●	●
<b>PERFORMANCE / TECHNICAL INFORMATION</b>				
Oven capacity (L)	47	47	45	45
Energy efficiency index <sup>1</sup>	81.3	81.3	-	-
Energy efficiency class <sup>1</sup>	A+	A+	-	-
Energy consumption per cycle Hotair (kWh) <sup>1</sup>	0.61	0.61	-	-
Energy consumption per cycle conventional (kWh) <sup>1</sup>	0.73	0.73	-	-
Time to cook standard load (mins.) <sup>1</sup>	42	42	-	-
Largest baking sheet area (cm <sup>2</sup> )	1290	1290	1290	1290
Installation in tall housing / under work surface	●	●	●	●
Inverter technology <sup>2</sup>	-	-	-	●
Maximum Microwave Power in W3 / No. of power levels	-	-	900 / 5	900 / 5
Turntable diameter (mm)	-	-	-	-
Total connected loading (W)	3300	3300	3600	3600
Cable length (cm)	120	120	120	120
Water tank capacity (L)	1	1	-	-
<b>STANDARD ACCESSORIES</b>				
Wire Shelves / Full width enamelled pan	1 / 1	1 / 1	1 / 1	1 / 1
Steam trays	3	3	-	-

● = yes - = no  
<sup>1</sup> Measured according to the EN50304, 65/2014  
<sup>2</sup> For further information on inverter technology, please go to [www.bosch-home.co.uk/media3/bosch-home.com/Documents/MCDOC03402966\\_BOSCH\\_microwave\\_details\\_19.pdf](https://www.bosch-home.co.uk/media3/bosch-home.com/Documents/MCDOC03402966_BOSCH_microwave_details_19.pdf)  
 For Inverter models, the maximum setting offers a time limited boost option for heating liquids. To ensure optimal results and to protect the appliance, the microwave power output is reduced in stages over the first few minutes down to the next power level (600W). After a cooling period, the microwave boost option will be available once more.

Ovens with integral microwave – When teamed with a single oven, Bosch compact ovens with microwave offer a great alternative to a double oven if you require more space for traditional cooking. Designed first and foremost to function as an oven, with construction, features and functions identical to a traditional single oven, these models benefit from the addition of microwaves at low medium power (max 360W) to deliver oven-led combination cooking, which speeds up the cooking process while retaining traditional cooking results. Microwave Combination Ovens – These models are designed to provide more functionality than a solo microwave oven, focussing on combination cooking, with the microwave using higher power (max. 600W) to lead the cooking process, supported by Hotair or grill functions to deliver speedy crisp and browned results. Based around a more traditional microwave functionality these models offer the perfect solution if regular microwave heating is the priority, but with the back-up of separate or combination Hotair cooking and grill functionality if required. These models are designed to operate best in combination mode, so when heating using microwave only, it may be necessary to adjust cooking times.

OVEN TYPE	COMPACT OVEN WITH MICROWAVE	COMPACT OVEN WITH MICROWAVE	MICROWAVE COMBINATION OVEN
DESIGN FAMILY	SERIES 8	SERIES 8	SERIES 4
BRUSHED STEEL	-	-	CMA583MS0B
BLACK	CMG7361B1B	CMG7241B1B	CMA583MB0B
<b>KEY FEATURES</b>			
Control Wheel, TFT Touchdisplay & ClearText	Plus	-	-
Control dials / White LCD or Red LED Display	-	-	● / Red
Electronic control	●	●	●
Soft Close / Soft Open drop down door	●	●	-
Home Connect	●	●	-
Bosch Assist	●	●	-
Automatic cooking programmes	20	16	15
Pyrolytic self cleaning function	-	-	-
Eco Clean® back / roof / side surfaces	● / - / -	-	-
<b>PROGRAMMES / FUNCTIONS</b>			
Air Fry	●	●	-
Hotair	●	●	●
Hotair Gentle	●	●	-
Conventional top & bottom heat / Bottom heat only	●	●	-
Hotair grilling	●	●	●
Full / half width variable grill	●	●	● / -
Pizza Setting	●	-	●
Low temperature cooking	●	-	-
Keep warm / Plate warming	●	-	-
Microwave	●	●	●
Microwave combined with Hotair, Top & bottom heat, Hotair Grilling, Grill	●	-	-
Microwave combined with Hotair / Grill	-	● / -	●
Microwave combined with Hotair Grilling	-	●	-
100% steam	-	-	-
Added Steam	-	-	-
Fast heat	●	-	●
<b>PERFORMANCE / TECHNICAL INFORMATION</b>			
Oven capacity (L)	45	45	44
Energy efficiency index <sup>1</sup>	-	-	-
Energy efficiency class <sup>1</sup>	-	-	-
Energy consumption per cycle Hotair (kWh) <sup>1</sup>	-	-	-
Energy consumption per cycle conventional (kWh) <sup>1</sup>	-	-	-
Time to cook standard load (mins.) <sup>1</sup>	-	-	-
Largest baking sheet area (cm <sup>2</sup> )	1290	1290	-
Installation in tall housing / under work surface	●	●	●
Inverter technology <sup>2</sup>	●	●	●
Maximum Microwave Power in W3 / No. of power levels	900 / 5	900 / 5	900 / 5
Turntable diameter (mm)	-	-	360
Total connected loading (W)	3600	3600	3350
Cable length (cm)	120	120	180
Water tank capacity (L)	-	-	-
<b>STANDARD ACCESSORIES</b>			
Wire Shelves / Full width enamelled pan	2 / 1	2 / 1	2 wire racks
Steam trays	-	-	-

● = yes - = no

All models comply with COMMISSION REGULATION (EC) No 1275/2008 with regard to ecodesign requirements for standby and off mode electric power consumption.

All models comply with COMMISSION REGULATION (EC) No 1275/2008 with regard to ecodesign requirements for standby and off mode electric power consumption.



OVEN TYPE	MICROWAVE	MICROWAVE	MICROWAVE
DESIGN FAMILY	SERIES 8	SERIES 8	SERIES 4
BRUSHED STEEL	-	-	BFL553MS0B
BLACK	CEG732XB1B	BFL7221B1B	BFL553MB0B
WHITE	-	-	-
<b>KEY FEATURES</b>			
Control Wheel, TFT Display	●	-	-
Control dials / White LCD or Red LED Display	-	● / Red	● / Red
Stainless steel interior	●	●	●
Left hinged door	-	●	●
Electronic	●	●	●
Automatic programmes	10	7	7
Electronic door opening	-	-	-
Memory function	-	-	1
Microwave	●	●	●
Quartz grill	●	-	-
Microwave and Grill Combination operation	-	-	-
<b>PERFORMANCE / TECHNICAL INFORMATION</b>			
Useable oven capacity (L)	36	21	25
Inverter technology <sup>1</sup>	-	-	-
Maximum microwave power (W) <sup>2</sup>	1000	900	900
Number of microwave power levels	5	5	5
Microwave distribution	-	-	Turntable
Turntable diameter (mm)	-	-	315
Total connected loading (W)	3100	1220	1450
Cable length (cm)	150	175	130
GB plug	-	●	●
Installation in tall housing	-	●	●
Installation 60cm wide wall unit	-	-	-
Installation 50cm wide wall unit	-	-	-
<b>STANDARD ACCESSORIES</b>			
Glass pan	1	1	-
Wire rack	-	-	-

● = Yes - = No

<sup>1</sup> For further information on inverter technology, please go to [https://media3.bosch-home.com/Documents/MCDOC03402966\\_BOSCH\\_microwave\\_details\\_19.pdf](https://media3.bosch-home.com/Documents/MCDOC03402966_BOSCH_microwave_details_19.pdf)

<sup>2</sup> For inverter models, the maximum setting offers a time limited boost option for heating liquids. To ensure optimal results and to protect the appliance, the microwave power output is reduced in stages over the first few minutes down to the next power level (600W). After a cooling period, the microwave boost option will be available once more.

Ovens with integral microwave – When teamed with a single oven, Bosch compact ovens with microwave offer a great alternative to a double oven if you require more space for traditional cooking. Designed first and foremost to function as an oven, with construction, features and functions identical to a traditional single oven, these models benefit from the addition of microwaves at low medium power (max 360W) to deliver oven-led combination cooking, which speeds up the cooking process while retaining traditional cooking results.  
 Microwave Combination Ovens – These models are designed to provide more functionality than a solo microwave oven, focussing on combination cooking, with the microwave using higher power (max. 600W) to lead the cooking process, supported by Hotair or grill functions to deliver speedy crisp and browned results. Based around a more traditional microwave functionality these models offer the perfect solution if regular microwave heating is the priority, but with the back-up of separate or combination Hotair cooking and grill functionality if required. These models are designed to operate best in combination mode, so when heating using microwave only, it may be necessary to adjust cooking times.

OVEN TYPE	MICROWAVE	MICROWAVE
DESIGN FAMILY	SERIES 4	SERIES 2
BRUSHED STEEL	BFL523MS0B	-
BLACK	BFL523MB0B	BFL523MS3B
WHITE	-	-
<b>KEY FEATURES</b>		
Control Wheel, TFT Display	-	-
Control dials / White LCD or Red LED Display	● / Red	● / Red
Stainless steel interior	●	Lacquered
Left hinged door	●	●
Electronic	●	●
Automatic programmes	7	7
Electronic door opening	-	-
Memory function	1	1
Microwave	●	●
Quartz grill	-	-
Microwave and Grill Combination operation	-	-
<b>PERFORMANCE / TECHNICAL INFORMATION</b>		
Useable oven capacity (L)	20	20
Inverter technology <sup>1</sup>	-	-
Maximum microwave power (W) <sup>2</sup>	800	800
Number of microwave power levels	5	5
Microwave distribution	Turntable	Turntable
Turntable diameter (mm)	255	270
Total connected loading (W)	1270	1270
Cable length (cm)	130	130
GB plug	●	●
Installation in tall housing	●	-
Installation 60cm wide wall unit	●	-
Installation 50cm wide wall unit	-	●
<b>STANDARD ACCESSORIES</b>		
Glass pan	-	-
Wire rack	-	-

● = Yes - = No

All models comply with COMMISSION REGULATION (EC) No 1275/2008 with regard to ecodesign requirements for standby and off mode electric power consumption.

All models comply with COMMISSION REGULATION (EC) No 1275/2008 with regard to ecodesign requirements for standby and off mode electric power consumption.



Capacity  
20L



Capacity  
20L



Capacity  
20L

OVEN TYPE	MICROWAVE OVEN	MICROWAVE OVEN	MICROWAVE OVEN WITH GRILL
DESIGN FAMILY	SERIES 2	SERIES 2	SERIES 2
MODEL	FFL023MS2B	FEL023MS2B	FFL023MW0B
<b>DESIGN</b>			
Electronic controls	•	•	•
Control Dial	•	•	•
Retractable control dial	1	1	1
Push buttons	•	•	•
Left hinged door	•	•	•
Door Open Button	•	•	•
<b>FEATURES</b>			
Electronic clock timer	Red LED	Red LED	Red LED
Interior lights	1 standard	1 standard	1 standard
Max. 99 minute timer	•	•	•
Max. 60 minute timer	-	-	-
Stainless steel interior	-	-	-
Laquered interior	•	•	•
Glass turntable	•	•	•
<b>PROGRAMMES / FUNCTIONS</b>			
Microwave	•	•	•
Quartz grill	-	•	-
Microwave and Grill Combination operation	-	•	-
Microwave / grill combination programmes	-	1	-
Automatic programmes	7	8	7
Memory function	1	1	1
<b>PERFORMANCE / TECHNICAL INFORMATION</b>			
Cavity dimensions (HxWxDmm)	180 x 280 x 300	180 x 280 x 300	180 x 280 x 300
Useable oven capacity (L)	20	20	20
Microwave distribution	Turntable	Turntable	Turntable
Turntable diameter (mm)	270	270	270
Maximum microwave power (W)	800	800	800
Number of microwave power levels	5	5	5
Grill power (W)	-	1000	-
Voltage (V)	230 - 240	230 - 240	230 - 240
Total connected loading (W)	1270	1270	1270
Cable length (cm)	130	130	130
GB plug	•	•	•
<b>STANDARD ACCESSORIES</b>			
Wire rack	-	1	-
Turntable	1	1	1

• = Yes - = No



Capacity  
20L

OVEN TYPE	MICROWAVE OVEN
DESIGN FAMILY	SERIES 2
MODEL	FFL020MS2B
<b>DESIGN</b>	
Electronic controls	-
Control Dial	•
Retractable control dial	-
Push buttons	-
Left hinged door	•
Door Open Button	•
<b>FEATURES</b>	
Electronic clock timer	-
Interior lights	1 standard
Max. 99 minute timer	-
Max. 60 minute timer	•
Stainless steel interior	-
Laquered interior	•
Glass turntable	•
<b>PROGRAMMES / FUNCTIONS</b>	
Microwave	•
Quartz grill	-
Microwave and Grill Combination operation	-
Microwave / grill combination programmes	-
Automatic programmes	-
Memory function	-
<b>PERFORMANCE / TECHNICAL INFORMATION</b>	
Cavity dimensions (HxWxDmm)	180 x 280 x 300
Useable oven capacity (L)	20
Microwave distribution	Turntable
Turntable diameter (mm)	270
Maximum microwave power (W)	800
Number of microwave power levels	5
Grill power (W)	-
Voltage (V)	230 - 240
Total connected loading (W)	1270
Cable length (cm)	130
GB plug	•
<b>STANDARD ACCESSORIES</b>	
Wire rack	-
Turntable	1

• = Yes - = No



OVEN TYPE	WARMING DRAWER	WARMING DRAWER	WARMING DRAWER
DESIGN FAMILY	SERIES 8	SERIES 8	SERIES 6
BRUSHED STEEL	-	-	BIC510NS0B
BLACK	BID7101B1B	BIC7101B1B	BIC510NB0
<b>KEY FEATURES</b>			
Keep warm	•	•	•
Plate warming	•	•	•
Defrost	•	•	•
Low temperature cooking	•	•	•
Operating indicator light	Red	Red	Red
Electronic control	•	•	-
Rotary temperature control dial	•	•	•
Number of settings	4	4	3
Maximum temperature (°C)	80	80	80
Minimum temperature (°C)	30	30	40
Maximum loading (plates)	40	12	14
Maximum loading (espresso cups)	192	64	64
Toughened glass drawer base	•	•	-
Anti slip mat	-	-	•
Push-Pull opening mechanism	•	•	•
<b>PERFORMANCE / TECHNICAL INFORMATION</b>			
Drawer interior volume (L)	52	20	23
Maximum weight capacity (kg)	26	21	16
Install independently	•	•	•
Install with a compact appliance	Series 8	Series 8	Series 6/4
Install with a single oven	Series 8	Series 8	Series 6/4
Installation in a tall housing	•	•	•
Installation under work surface	•	•	•
Nominal voltage (V)	220-240	220-240	220-240
Total connected loading (W)	820	820	400
Cable length (cm)	175	175	150
GB plug	•	•	•

• = Yes - = No

All models comply with COMMISSION REGULATION (EC) No 1275/2008 with regard to ecodesign requirements for standby and off mode electric power consumption.

# Smart Coffee Centre.

## Your very own barista.

When you take your coffee seriously, your coffee machine needs to be seriously impressive. With the Home Connect enabled Coffee Centre, you get your very own virtual barista, skilled at producing delicious coffees from all over the world.

Using Coffee World, built into the Home Connect app, you are able to create almost twenty superb drinks and international favourites at the touch of a button. Your kitchen becomes your new favourite coffee shop.

## Playlist.

Making drinks for lots of people? There's no need to memorise the list. Simply use the Home Connect app Coffee Playlist and get everyone to select their favourite drink.



Your coffee machine will make them all, one by one, at your command. You can even add selections from the Coffee World for added luxury.



## Your coffee, your way.

Replicating your perfect cup of coffee can sometimes feel impossible. Home Connect now makes getting the perfect coffee easier than ever. Simply save your perfect coffee as a favourite in the Home Connect app to access it in one touch from your smartphone or smartwatch. Then sit back and let the machine take over. Treat yourself to the cup of coffee you know and love.



Pair with a Bosch warming drawer for seamless design next to a full-sized single oven.

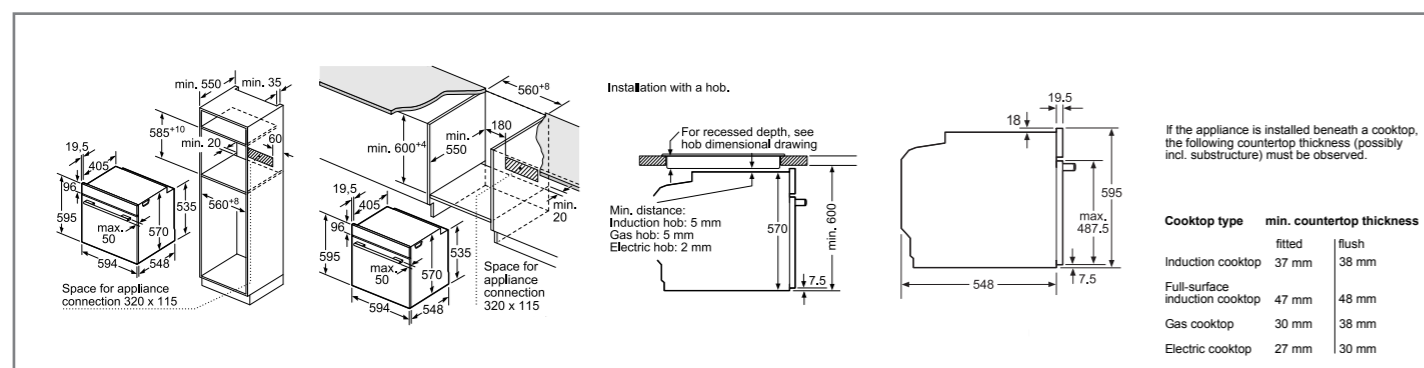
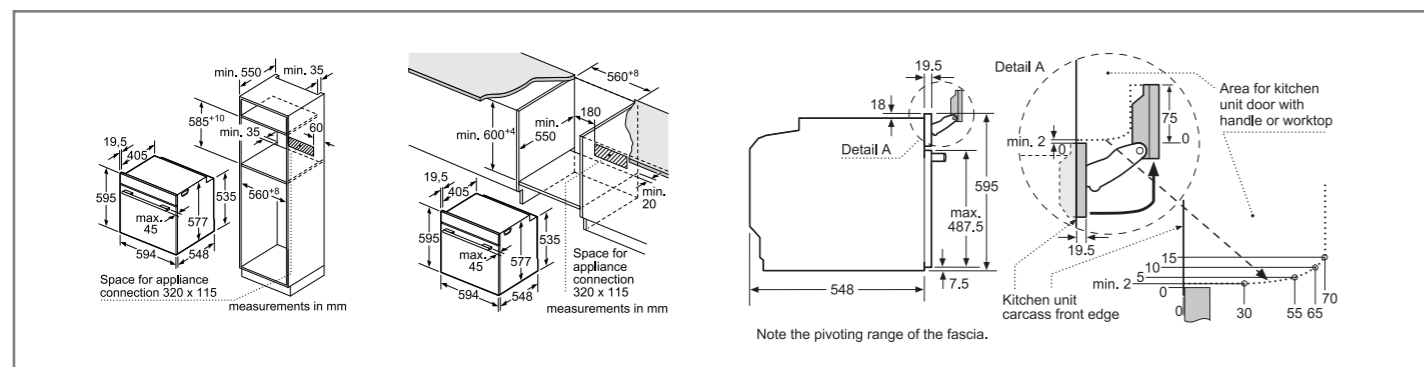


OVEN TYPE	COFFEE CENTRE
DESIGN FAMILY	SERIES 8
MODEL	CTL7181B0
<b>KEY FEATURES</b>	
Control Wheel, TFT Display	Pro
Home Connect	•
Electronic control	•
Senso Flow System	•
Aroma pressure system	•
Auto Valve System	•
Ceramic coffee grinders	•
Multilevel grinding setting	•
Cup illumination	•
Height adjustable milk / coffee outlet (cm)	7-15
Adjustable automatic switch off setting	•
Integrated water filter	•
<b>PROGRAMMES / FUNCTIONS</b>	
Personalised milk beverage, milk foam, hot water, warm milk, ristretto, coffee, espresso, cappuccino, latte macchiato, caffè latte, espresso macchiato	1 or 2 cup
One touch function for milk drinks	•
Coffee / hot water temperature options	3/4
Milk foam/frothing function	•
Hot milk function	•
Cleaning / de-scaling / combined programmes	•
Automatic rinse when switched on/off	•
<b>PERFORMANCE / TECHNICAL INFORMATION</b>	
Installation in a tall housing	950-1450mm high
Left hinged door to access interior	•
Insulated milk container capacity (L)	0.7
Brewing chamber volume (g)	8-12
Bean container capacity (g)	500
Ground coffee container	•
Water tank capacity (L)	2.4
Total connected loading (W)	1500
Cable length (in cm)	170

• = Yes - = No

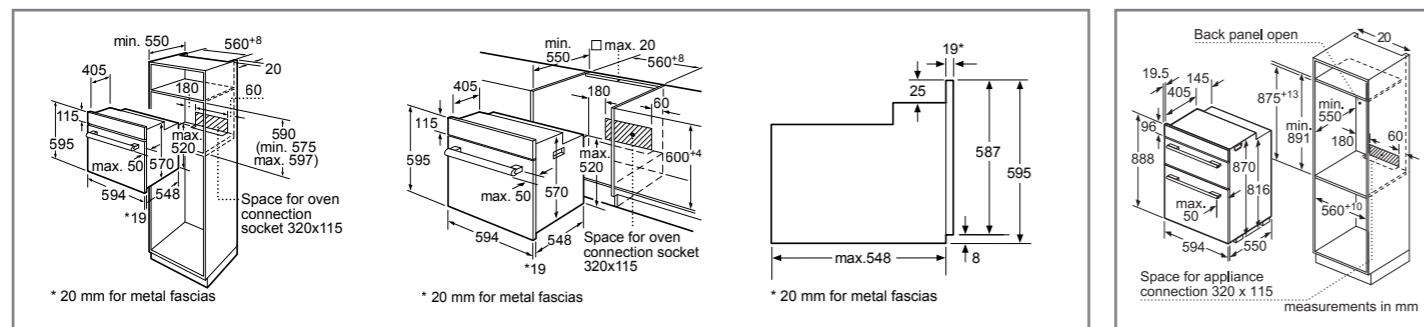
## Ovens technical diagrams

## Single and double ovens



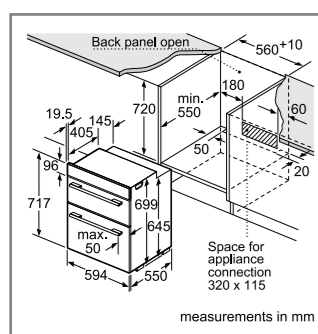
## Single ovens

HBG7784B1, HMG7764B1B, HRG7764B1B, HBG7764B1B, HBG7741B1B, HRS574BS0B, HBS573BS0B, HBS573BB0B, HSG7584B1, HSG7364B1B, HBG7341B1B, HRS534BS0B, HBS534BS0B, HBS534BB0B, HBS534BW0B



## Series 2 single ovens

HHF113BR0B, HHF113BA0B



## Built-under double ovens

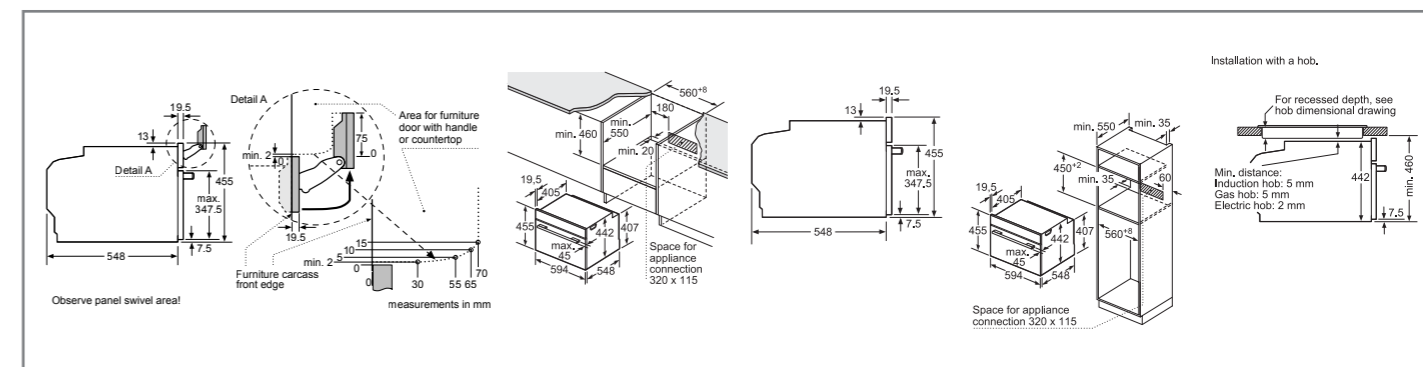
NBS533BS0B, NBS533BB0B

## Built-in double ovens

MBA578S6B, MBS533BS0B, MBS533BB0B, MHA133BR0B

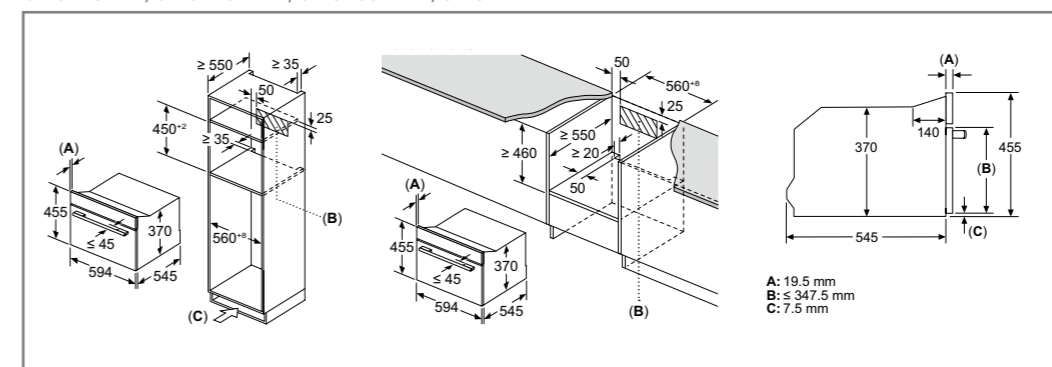
## Compact appliances technical diagrams

## Compact ovens, compact steam ovens, compact microwave combination oven



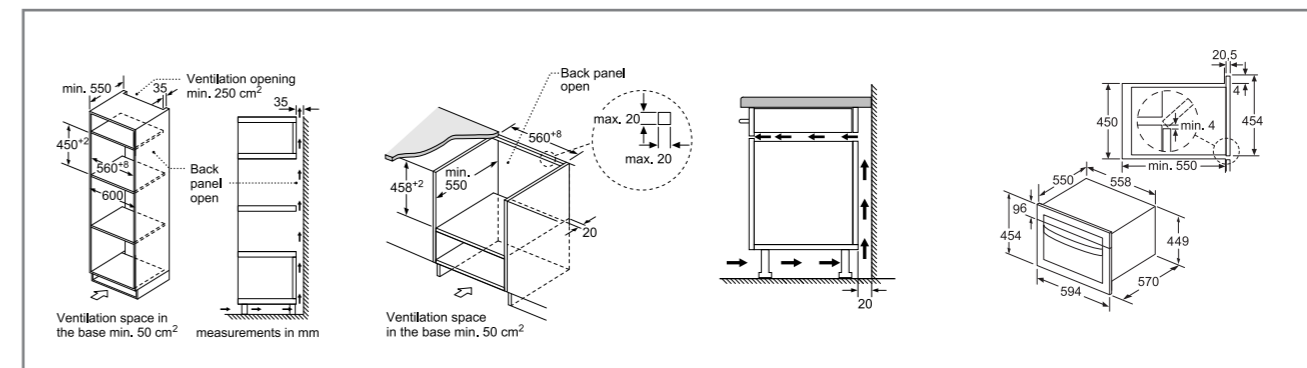
## Compact oven (with added steam) CSG7584B1, CSG7361B1 Compact ovens (with microwave)

CMG778NB1, CMG7761B1B, CMG7361B1B, CMG7241B1B



## Compact Microwave

CEG732XB1B



## Compact Combination Microwave Ovens CMA583MS0B, CMA583MB0B

All diagram measurements are in millimetres (mm)

We try to keep up to date with constant technological improvements, so from time to time we may update installation guidelines. Therefore we strongly recommend that you download the latest installation guidelines from [www.bosch-home.co.uk](http://www.bosch-home.co.uk). Line drawings are for guidance only, and we recommend that you refer to the latest installation guidelines. Though every care is taken to ensure instructions are correct at the time of printing, Bosch cannot accept responsibility for incorrect planning or installation as a result of the use of these line drawings.

Explore more at [bosch-home.co.uk](http://bosch-home.co.uk) / [bosch-home.ie](http://bosch-home.ie)

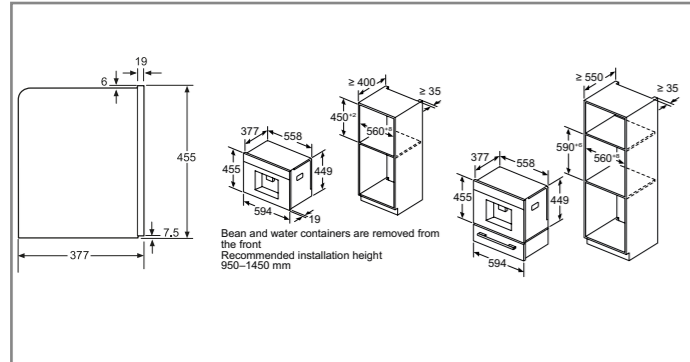
All diagram measurements are in millimetres (mm)

All models comply with COMMISSION REGULATION (EC) No 1275/2008 with regard to ecodesign requirements for standby and off mode electric power consumption. We try to keep up to date with constant technological improvements, so from time to time we may update installation guidelines. Therefore we strongly recommend that you download the latest installation guidelines from [www.bosch-home.co.uk](http://www.bosch-home.co.uk). Line drawings are for guidance only, and we recommend that you refer to the latest installation guidelines. Though every care is taken to ensure instructions are correct at the time of printing, Bosch cannot accept responsibility for incorrect planning or installation as a result of the use of these line drawings.

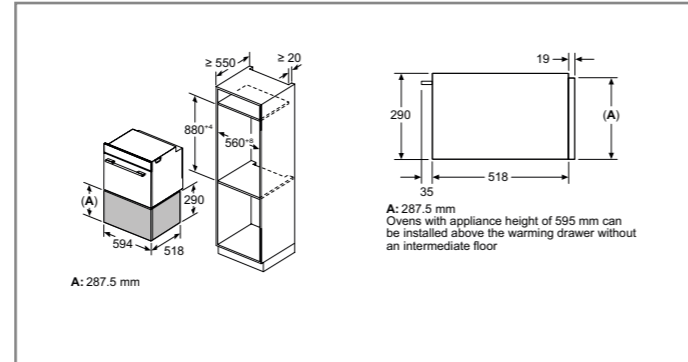
Making **life easy** through innovative technologies

# Compact appliances technical diagrams

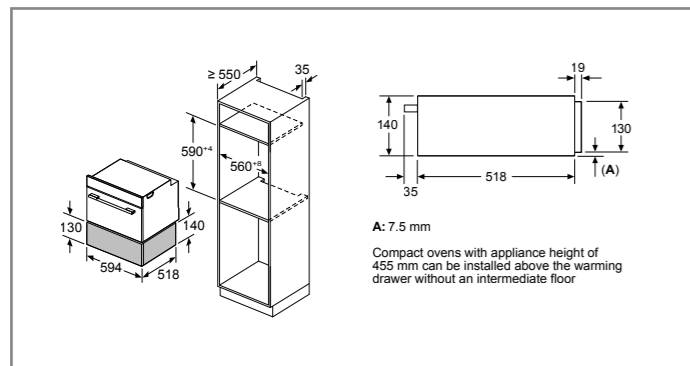
## Compact coffee centre, warming drawers



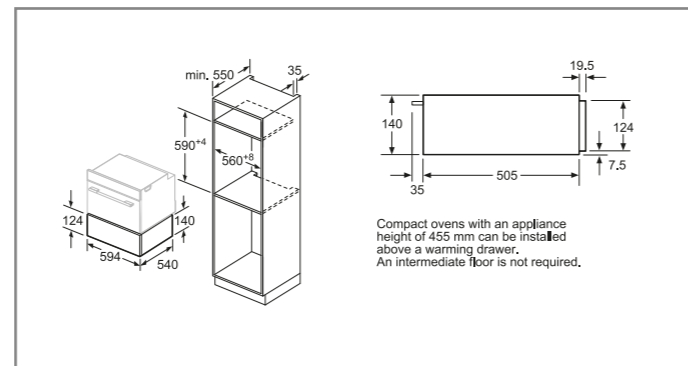
Coffee centre CTL7181B0



Warming drawer BID7101B1B installed with 60cm high single oven.

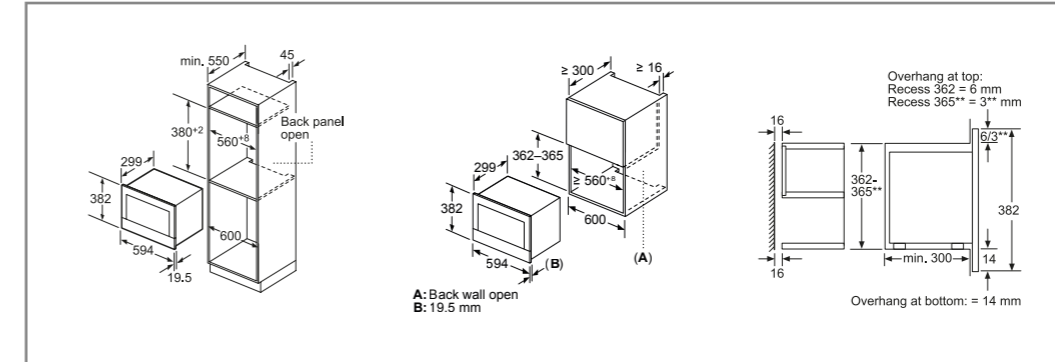


Warming drawers BIC7101B1B installed with 45cm high oven.

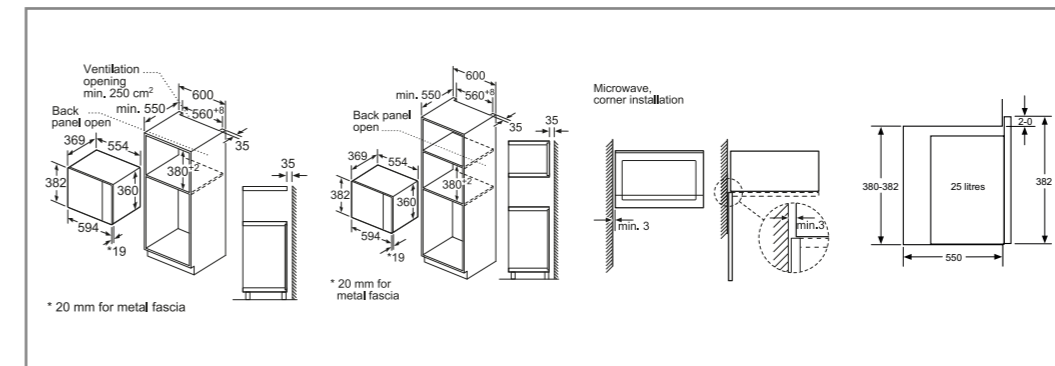


Warming drawers BIC510NS0B, BIC510NB0 installed with 45cm high oven.

## Microwave ovens



Microwaves BFL7221B1B

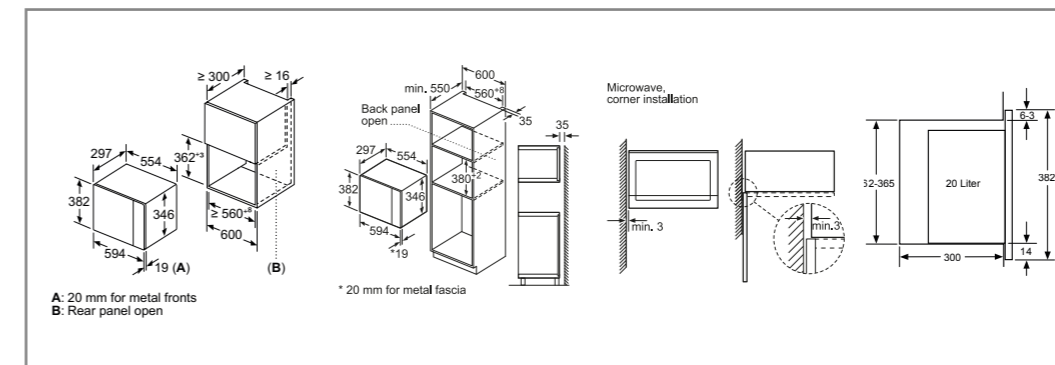


Microwaves BFL553MS0B, BFL553MB0B

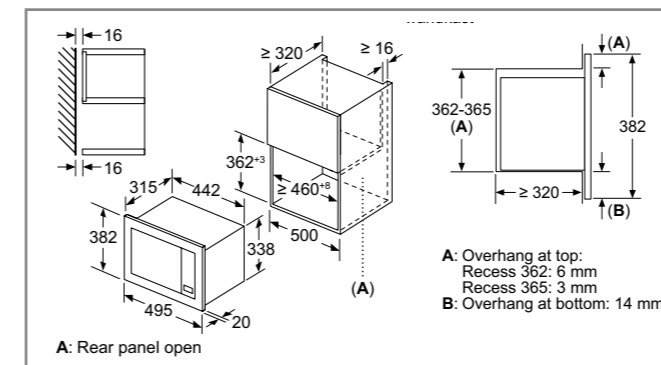
# Oven and compact appliance accessories

	SERIES 8		SERIES 4 & 6		
	Single Ovens	45cm Compact Ovens	Single Ovens	Compact Ovens	Double Ovens*
<b>ROASTING &amp; BAKING ACCESSORIES</b>					
HEZ530000	Two piece slim pan set for Series 6 and Series 4 single and double ovens	-	•	-	•
<b>TELESCOPIC RAILS</b>					
HEZ638000	1 pair of level independent telescopic shelf rails with stop, fully extendible, for non-pyrolytic, non-full steam Series 8 ovens	•	-	-	•
HEZ638070	1 pair of level independent telescopic shelf rails with stop, fully extendible, for Series 8 pyrolytic ovens	•	-	-	•
HEZ638D00	1 pair of level independent telescopic shelf rails with stop, fully extendible, for Series 8 steam ovens	•	-	-	•
HEZ629070	Air Fryer & Grill tray. Required for Air Fry Function, for Series 8 ovens	•	-	-	•
HEZ538000	1 pair of level independent telescopic rails for Series 6 & 4 single and double ovens	-	•	-	•
<b>INSTALLATION ACCESSORIES</b>					
HEZ6BMA00	Metal platform and brackets suited to a combination of Series 8 60cm Single ovens and 45cm Compact ovens in column (special single aperture required)	•	•	-	-
HEZ660060	Cosmetic decor strip compatible with 60cm single and 45cm compact ovens	•	•	•	-

• = Yes - = No



Microwaves BFL523MS0B, BFL523MB0B



BFL523MS3B

Optional accessories not suited for use during pyrolytic cleaning cycle

All diagram measurements are in millimetres (mm)

All models comply with COMMISSION REGULATION (EC) No 1275/2008 with regard to ecodesign requirements for standby and off mode electric power consumption. We try to keep up to date with constant technological improvements, so from time to time we may update installation guidelines. Therefore we strongly recommend that you download the latest installation guidelines from [www.bosch-home.co.uk](http://www.bosch-home.co.uk). Line drawings are for guidance only, and we recommend that you refer to the latest installation guidelines. Though every care is taken to ensure instructions are correct at the time of printing, Bosch cannot accept responsibility for incorrect planning or installation as a result of the use of these line drawings.

All diagram measurements are in millimetres (mm)

All models comply with COMMISSION REGULATION (EC) No 1275/2008 with regard to ecodesign requirements for standby and off mode electric power consumption. We try to keep up to date with constant technological improvements, so from time to time we may update installation guidelines. Therefore we strongly recommend that you download the latest installation guidelines from [www.bosch-home.co.uk](http://www.bosch-home.co.uk). Line drawings are for guidance only, and we recommend that you refer to the latest installation guidelines. Though every care is taken to ensure instructions are correct at the time of printing, Bosch cannot accept responsibility for incorrect planning or installation as a result of the use of these line drawings.



TO FIND OUT MORE ABOUT OUR BOSCH INDUCTION HOB RANGE, PLEASE SCAN THE QR CODE BELOW:



As you would expect from Bosch, all our electric hobs are made using high quality materials, are easy to use and add contemporary elegance to any kitchen.

To help you choose the right electric hob for your home we have divided them into the three ranges below.

Model shown: PIX631HC1E

## Series 8

Our **Series 8** range of electric hobs combines convenience and elegant design, allowing you to select individual cooking zones and power levels. All controlled at just the touch of a button with the modern touch control, TFT or DirectSelect Premium control.

## Series 6

Expect excellent operation and timeless designs with our **Series 6** range of hobs. You'll get premium engineering and materials, so that you can always cook something a little bit special. Get ultimate control with the easy to use DirectSelect touch control.

## Series 4

Featuring a range of **Series 4** electric hobs that are convenient and simple to operate, our essential range maintains classic design with contemporary style.

## Hob functions explained.

Check model for available functions.

**PerfectFry:** Our clever Frying Sensor measures the temperature in the pan for perfect results.

**PerfectCook:** Control your cooking by the temperature in the pan rather than the power level with our smart Cooking Sensor\*, which easily attaches to the side of your induction pot.

\*This feature requires the additional purchase of a Cooking Sensor to operate.

**Power Boost:** This function allows you to increase the power of the cooking zone by up to 50% - perfect for large pots and pans or when you're in a hurry.

**Automatic pan recognition:** Only heats up the base of the pan and not the rest of the zone, which doesn't waste energy and leaves the rest of the hob cool to touch.

**Freeze:** In case of any spills, this function freezes all the heat settings so you can thoroughly wipe and clean the hob surface. To restore the previous heat settings simply touch the button again!

**TFT-touch display:** Clear text and pictures allow simple operation of the integrated touch display.

**Assist:** Automatic setting of the ideal power level recommendation and cooking time for countless dishes.

**Flex Induction Zone:** Get more flexibility by combining the cooking zones into one big zone for placing small pots and large cookware. The amount of usable surface on the hob is maximised to accommodate even the largest of cookware, including griddle plates and Teppan Yaki.

**Combi Zone:** Two cooking zones can be linked, making the switch from small to large pans effortless.

**Move Mode:** Automatically switches from boil to simmer with a simple slide of the saucepan.

**Hob-Hood Control:** Convenient operation of the hood via your hob. Hoods with Home Connect will automatically turn on or off and increase or decrease in extraction level based on cooking needs, food smells and vapour.

**Child Safety:** The built-in lock function locks the surface of your hob and prevents it from being used accidentally, giving you the highest level of safety.

**DirectSelect:** Set the correct temperature with a single touch. No more scrolling up or down, just simply press one button to select the right heat level. Models with **DirectSelect Premium** touch controls feature an additional minimum temperature setting giving you added cooking control.



TO FIND OUT MORE ABOUT OUR BOSCH VENTING HOB RANGE, PLEASE SCAN THE QR CODE BELOW:



## The Perfect combination.

To give you more freedom and flexibility in designing your kitchen, we've developed hobs with an integrated ventilation module. These hobs combine the latest technologies of our induction hobs and cooker hoods in a single appliance. The integrated ventilation module extracts steam and odours at their source.

The **Series 8 PerfectAir** venting hob removes odours from the source, leading to fewer cooking smells in the kitchen. It can be easily installed into the work surface to suit any kitchen design and has the added convenience of being easy to clean. Thanks to the **PerfectFry Plus** sensor and **PerfectCook** sensor on the hob, you can achieve perfect results whether you're frying or boiling.



Now your cooker hood can automatically control the air that you breathe.

**PerfectAir** is our advanced feature that clears the air without you having to do anything. A sensor constantly detects the levels of cooking odours in the air and adjusts the power level - from light use to intensive - to ensure your kitchen air is always clean and fresh.

## Gain more control.

These additional features allow you to have more control whilst cooking and make your time in the kitchen as easy as possible.

**Home connect:** Gain an extra layer of safety with our smart hobs that allow you to know whether your hob is turned off remotely as well as be aware if child lock is activated all via the Home Connect app.

**Favourite button:** Personalise your cooktop according to your preferences. Select various functions via the Home connect app and save them to your hob.

Features only available on certain models.

For more information on types of installation for Venting Hobs, please see pages 46 & 47.

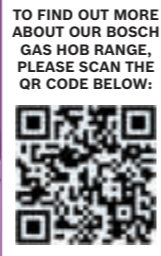


Model shown: PXX875D67E



# Gas hob range

Welcome to intuitive cooking. The advanced technology built into our hobs makes cooking on gas simple and precise. Understanding how you cook means we've been able to design a FlameSelect feature that lets you fry, stew, steam and boil with confidence – without constantly checking the flame.



Model shown: PPS9A6B90

## Series 8

Our **Series 8** range of gas hobs combines convenience and truly elegant design with ultimate cooking control, meaning a truly professional performance in the kitchen.

## Series 6

Expect excellent operation and timeless designs with our **Series 6** range of gas hobs. You'll get premium engineering and materials so that you can always cook something a little bit special.

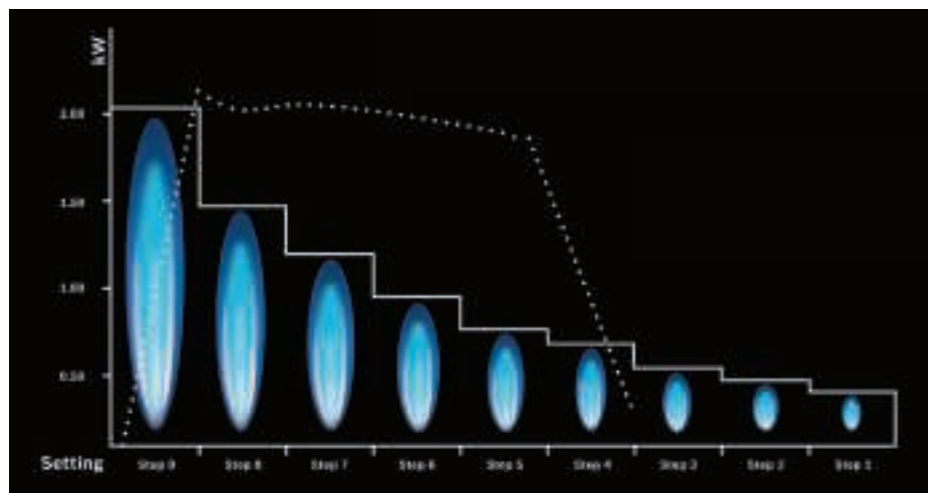
## Series 4

Featuring a range of gas hobs that are convenient and simple to operate, our **Series 4** range maintains classic design and style.

## Flame Select

### Gas without the guesswork.

The gas cooktops with Flame Select are equipped with nine precisely defined power levels which let you adjust the required heat easily and reliably. For simply perfect cooking results.



### Flame Select

We're taking the guesswork out of using a gas hob. Our innovative Step Valve technology regulates the gas output precisely, so you're able to choose the size of flame. With an easy-to-use setting, all you need to do is decide which of the 9 power settings you want. At last, Flame Select gives you the confidence to cook on gas without leaning down to check it.

Flame size based on gas setting and energy consumption

Explore more at [bosch-home.co.uk](https://bosch-home.co.uk) / [bosch-home.ie](https://bosch-home.ie)

## Gas hob functions explained.

Check model for available functions.

**Flame Select:** A precise adjustment of the flame in nine defined levels.

**Wok burner:** Powerful cooking at up to 4 kW.

**Standard and semi-flush built-in option:** Choose between flush or surface mounted installation.

**Tempered-glass surface:** Elegant design and easy cleaning.

**Continuous cast-iron pan support:** For high firmness and stability of cookware.

-----  
Standard gas hob valve power output.

-----  
Flame Select valve power output.

# Key features



### A touch of the Orient

Powerful, dual ring wok burners are perfect for oriental cooking. They deliver a boost both in power and speed, but can also be used very effectively at lower settings when required.



### Smart design

Square design pan supports don't just look good, but provide more stability for pots and pans. Cleverly designed to fit together, they are separate pieces, which make them easy to handle and clean. The elegant tempered glass base allows for a choice of surface mounting for quick and easy installation, or flush mounting.

### Dual flame

Our dual flame burner is both strong and gentle in one. High power lets you stir fry fresh, healthy dinners. Low power is particularly gentle for simmering, making sauces or simply keeping your food hot.



Model shown: PPQ7A6B90

Making **life easy** through innovative technologies

TYPE	VENTING HOB	VENTING HOB
SERIES	SERIES 8	SERIES 6
MODEL	PXX875D67E	PVQ731H26E
Width in mm	816	710
Control position	Front	Front
Control type	DirectSelect Premium	DirectSelect
Style	Comfort Profile	Front Bevel

KEY FEATURES		
Home Connect	●	-
Integrated extractor	●	●
PerfectCook temperature sensor ready	HEZ39050 required	-
PerfectFry Sensor settings for hob	5 Levels	11 Levels
Favourite Button	-	●
Automatic extraction	Fully sensor based	Auto-On
Number of Flex Induction zones	2	-
Number of Combi Induction zones	-	2: Left & Right

HOB FEATURES		
Number of individual zones	4	4
Power levels	17	17
Power Boost	●	●
Pan Boost	●	-
Move Mode	3 stages	-
Adaptable Volume	-	●
Energy Consumption Display	●	-
Keep warm function	●	Via HC/Favourite Button a.sw upd
Quick Start (Quick switch-off)	●	●
Quick Stop (Quick switch-off)	-	-
Automatic setting transfer	●	-
ReStart	●	●
Demo Mode	●	-
Dish Categories / Setting Recommendations	●	Via HC app a. sw upd.
Wipe protection function (Freeze Function)	●	●

SAFETY FEATURES		
Residual Heat Indicator	●	●
Childproof Lock	●	●
Pause Function	-	-
Countdown timer	●	●
Safety Time Switch off	●	●
Pan recognition	●	●
Count up Timer	●	-
Main on/off switch	●	●

HOOD FEATURES		
PerfectAir Sensor	●	-
Metal grease filter	●	●
Power levels	17 + 2 Intensive	9 + 2 Intensive
Automatic intensive revert setting	6 minutes	6 minutes
Automatic or manual control	●	●
Automatic after running: Extraction / Recirculation	12 / 30 minutes	12 / 30 minutes
Interval operation	●	●
Dishwasher safe grease filter cassette with spillage collection	Yes - 200ml capacity	Yes - 200ml capacity
Dishwasher safe spillage overflow collector	700ml capacity	700ml capacity
Electronic grease filter / cleanAir filter saturation indicators	● / ●	-

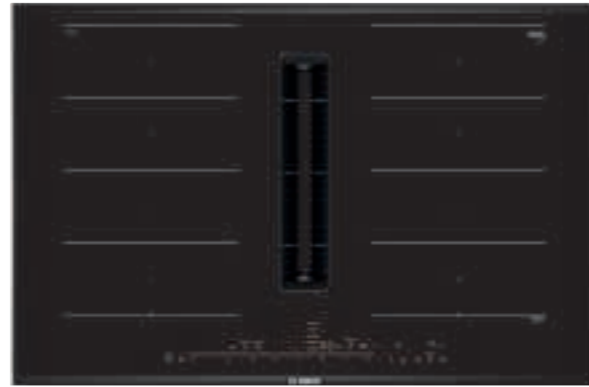
PERFORMANCE / TECHNICAL INFORMATION – HOB				
Nominal voltage (V)	220-240	220-240	220-240	220-240
Maximum power output (W)	7400	7400	7400	7400
Electrical cable length (cm)	110	110	110	110
Rear left zone - power (kW) / dimensions (mm)	2.20	200x240	2.50	190x210
Rear right zone - power (kW) / dimensions (mm)	2.20	200x240	2.50	190x210
Front left zone - power (kW) / dimensions (mm)	2.20	200x240	2.50	190x210
Front right zone - power (kW) / dimensions (mm)	2.20	200x240	2.50	190x210
Flex Induction Zone left - power (kW) / dimensions (mm)	3.30	400x240	-	-
Flex Induction Zone right - power (kW) / dimensions (mm)	3.30	400x240	-	-
Combi Zone left - power (kW) / dimensions (mm)	-	-	3.60	380x210
Combi Zone right - power (kW) / dimensions (mm)	-	-	3.60	380x210
Rear left zone - with Power Boost (max. kW)	3.70	-	3.70	-
Rear right zone - with Power Boost (max. kW)	3.70	-	3.70	-
Front left zone - with Power Boost (max. kW)	3.70	-	3.70	-
Front right zone - with Power Boost (max. kW)	3.70	-	3.70	-

PERFORMANCE / TECHNICAL INFORMATION – EXTRACTOR		
Extractor Energy Efficiency Rating	B	B
Extraction rate in m <sup>3</sup> /h <sup>(1,2)</sup>		
- Ducted / Recirculating power level Minimum	154 / 132	154 / 117
- Ducted / Recirculating power level Maximum	500 / 499	500 / 487
- Ducted / Recirculating power level Intensive	622 / 595	622 / 595
Noise level (sound power) based on dB(A) re 1 pW <sup>(1,4)</sup>		
- Ducted / Recirculating power level Minimum	42 / 41	42 / 41
- Ducted / Recirculating power level Maximum	69 / 68	69 / 68
- Ducted / Recirculating power level Intensive	74 / 72	74 / 72
Motor power (W)	170	170

OPTIONAL ACCESSORIES		
Wireless sensor probe	HEZ39050	-
Cookware set	HEZ9SE030	HEZ9SE030
Rectangular roasting pan with lid (approx. 320x200mm)	HEZ390011	HEZ390011
Steamer pan insert of use with HEZ390011 roasting pan	HEZ390012	HEZ390012
Teppan Yaki (approx. 400x200mm)	HEZ390512	-
Griddle plate (approx. 400x200mm)	HEZ390522	-
Acoustics Filter	HEZ9VEDUO	HEZ9VEDUO
Replacement recirculation filters	HEZ9VRCRO	HEZ9VRCRO
Diffuser required for ducted recirculation	HEZ9VRPD1	HEZ9VRPD1
Ducted recirculation starter kit for min. 60cm deep worktops.	HEZ9VDKR1	HEZ9VDKR1
Ducted recirculation starter kit for min. 70cm deep worktops.	HEZ9VDKRO	HEZ9VDKRO

## Series 8

### PXX875D67E



## Series 6

### PVQ731H26E



## Series 4

### PVS811B16E



### PVS611B16E



TYPE	VENTING HOB	VENTING HOB
SERIES	SERIES 4	SERIES 4
MODEL	PVS811B16E	PVS611B16E
Width in mm	802	592
Control position	Front	Front
Control type	TouchSelect	TouchSelect
Style	Frameless	Frameless

KEY FEATURES		
Home Connect	-	-
Integrated extractor	●	●
PerfectCook temperature sensor ready	-	-
PerfectFry Sensor settings for hob	-	-
Favourite Button	-	-
Automatic extraction	Auto-On	Auto-On
Number of Flex Induction zones	-	-
Number of Combi Induction zones	1	1

HOB FEATURES		
Number of individual zones	4	4
Power levels	17	17
Power Boost	●	●
Pan Boost	-	-
Move Mode	-	-
Adaptable Volume	-	-
Energy Consumption Display	-	-
Keep warm function	-	-
Quick Start	●	●
Quick Stop (Quick switch-off)	●	●
Automatic setting transfer	-	-
ReStart	●	●
Demo Mode	-	-
Dish Categories / Setting Recommendations	-	-
Wipe protection function (Freeze Function)	-	-

SAFETY FEATURES		
Residual Heat Indicator	●	●
Childproof Lock	●	●
Pause Function	-	-
Countdown timer	●	●
Safety Time Switch off	●	●
Pan recognition	●	●
Count up Timer	-	-
Main on/off switch	●	●

HOOD FEATURES		
PerfectAir Sensor	-	-
Metal grease filter	●	●
Power levels	3 + 1 Intensive	3 + 1 Intensive
Automatic intensive revert setting	6 minutes	6 minutes
Automatic or manual control	●	●
Automatic after running: Extraction / Recirculation	12 / 30 minutes	12 / 30 minutes
Interval operation	●	●
Dishwasher safe grease filter cassette with spillage collection	Yes - 200ml capacity	Yes - 200ml capacity
Dishwasher safe spillage overflow collector	700ml capacity	700ml capacity
Electronic grease filter / cleanAir filter saturation indicators	-	-

PERFORMANCE / TECHNICAL INFORMATION – HOB				
Nominal voltage (V)	220-240	220-240	220-240	220-240
Maximum power output (W)	7400	7400	7400	7400
Electrical cable length (cm)	110	110	110	110
Rear left zone - power (kW) / dimensions (mm)	2.20	190x210	2.20	190x210
Rear right zone - power (kW) / dimensions (mm)	1.80	180	1.40	145
Front left zone - power (kW) / dimensions (mm)	2.20	190x210	2.20	190x210
Front right zone - power (kW) / dimensions (mm)	2.20	210	2.20	210
Flex Induction Zone left - power (kW) / dimensions (mm)	-	-	-	-
Flex Induction Zone right - power (kW) / dimensions (mm)	-	-	-	-
Combi Zone left - power (kW) / dimensions (mm)	3.60	380x210	3.60	380x210
Combi Zone right - power (kW) / dimensions (mm)	-	-	-	-
Rear left zone - with Power Boost (max. kW)	3.70	-	3.70	-
Rear right zone - with Power Boost (max. kW)	3.10	-	2.20	-
Front left zone - with Power Boost (max. kW)	3.70	-	3.70	-
Front right zone - with Power Boost (max. kW)	3.70	-	3.70	-

PERFORMANCE / TECHNICAL INFORMATION – EXTRACTOR		
Extractor Energy Efficiency Rating	B	B
Extraction rate in m <sup>3</sup> /h <sup>(1,2)</sup>		
- Ducted / Recirculating power level Minimum	330 / 252	330 / 252
- Ducted / Recirculating power level Maximum	500 / 441	500 / 441
- Ducted / Recirculating power level Intensive	622 / 595	622 / 595
Noise level (sound power) based on dB(A) re 1 pW <sup>(1,4)</sup>		
- Ducted / Recirculating power level Minimum	61 / 55	61 / 55
- Ducted / Recirculating power level Maximum	69 / 66	69 / 66
- Ducted / Recirculating power level Intensive	74 / 72	74 / 72
Motor power (W)	170	170

OPTIONAL ACCESSORIES		
Wireless temperature sensor	-	-
Cookware set	HEZ9SE030	HEZ9SE030
Rectangular roasting pan with lid (approx. 320x200mm)	-	-
Steamer pan insert of use with HEZ390011 roasting pan	-	-
Teppan Yaki (approx. 400x200mm)	-	-
Griddle plate (approx. 400x200mm)	-	-
Ducted operation using accessory kit	HEZ9VEDUO	HEZ9VEDUO
Replacement recirculation filters	HEZ9VRCRO	HEZ9VRCRO
Diffuser required for ducted recirculation	HEZ9VRPD1	HEZ9VRPD1
Ducted recirculation starter kit for min. 60cm deep worktops.	HEZ9VDKR1	HEZ9VDKR1
Ducted recirculation starter kit for min. 70cm deep worktops.	HEZ9VDKRO	HEZ9VDKRO

Refer to page 46 to read more about the installation process.

● = Yes - = No

<sup>1</sup> Power automatically reverts back to normal setting after intensive.

<sup>2</sup> A type of recirculating kit is required if recirculating.

<sup>3</sup> Measured according to EN61591 on largest pipe diameter.



TYPE	FLEX INDUCTION		FLEX INDUCTION		FLEX INDUCTION	
DESIGN FAMILY	SERIES 6		SERIES 6		SERIES 6	
MODEL	PXY83KHC1E		PXV831HC1E		PIX631HC1E	
Width in mm	802		802		592	
Control position	Front		Front		Front	
Control type	DirectSelect		DirectSelect		DirectSelect	
Style	Front Bevel		Front Bevel		Front Bevel	
<b>KEY FEATURES</b>						
Home Connect	●		●		●	
Hob Hood Control	●		●		●	
PerfectCook temperature sensor ready	-		-		-	
PerfectFry Sensor settings	11 levels		11 levels		11 levels	
Smart Hood Automatic	●		●		●	
Favourite Button	●		●		●	
Extended Flex Induction Zone	2		-		-	
Number of Flex Induction Zones	-		1		1	
Number of Combi Zones	-		-		-	
<b>HOB FEATURES</b>						
Number of individual zones	4		5		4	
Cooking Levels	17		17		17	
Power Boost	●		●		●	
Pan Boost	Via HC/Favourite Button a. sw upd		Via HC/Favourite Button a. sw upd		Via HC/Favourite Button a. sw upd	
Move Mode	-		-		-	
Energy Consumption Display	-		-		-	
Keep Warm Function	Via HC/Favourite Button a. sw upd		Via HC/Favourite Button a. sw upd		Via HC/Favourite Button a. sw upd	
Quick Start Function	●		●		●	
Quick Stop (Quick switch-off)	-		-		-	
Automatic setting transfer	●		●		●	
Restart Function	●		●		●	
Demo Mode	●		●		●	
Dish Categories / Setting Recommendations	Via HC app a. sw upd.		Via HC app a. sw upd.		Via HC app a. sw upd.	
Wipe Protection Function (Freeze Function)	-		-		-	
*Plug&Play* with GB Plug	-		-		-	
<b>SAFETY FEATURES</b>						
Residual Heat Indicator	●		●		●	
Childproof Lock	●		●		●	
Pause Function	●		●		●	
Countdown timer (Timer with automatic switch off for each zone)	●		●		●	
Safety Time Switch off	●		●		●	
Pan recognition	●		●		●	
Count up Timer	-		-		-	
Main on/off switch	●		●		●	
<b>PERFORMANCE / TECHNICAL INFORMATION</b>						
Maximum power output (kW)	7400		7400		7400	
Nominal voltage (V)	220-240		220-240		220-240	
Electrical cable length (cm)	110		110		110	
Rear left Flex Induction zone - power (kW) / dimensions (mm)	2.20	200x230	-	-	2.20	190x230
Rear left zone - power (kW) / diameter (mm)	-	-	1.60	145	-	-
Rear right Flex Induction zone - power (kW) / dimensions (mm)	2.20	200x230	2.20	200x210	-	-
Rear right zone - power (kW) / diameter (mm)	-	-	-	-	1.60	145
Rear centre zone - power (kW) / diameter (mm)	-	-	2.50	240	-	-
Front centre zone - power (kW) / diameter (mm)	-	-	-	-	-	-
Front left Flex Induction zone - power (kW) / dimensions (mm)	2.20	200x230	-	-	2.20	190x230
Front left zone - power (kW) / diameter (mm)	-	-	2.00	180	-	-
Front right Flex Induction zone - power (kW) / dimensions (mm)	2.20	200x230	2.20	200x210	-	-
Front right zone - power (kW) / diameter (mm)	-	-	-	-	2.50	210
Flex Induction zone left - power (kW) / dimensions (mm)	3.30	400x230	-	-	3.30	380x230
Flex Induction zone right - power (kW) / dimensions (mm)	3.30	400x230	3.30	400x210	-	-
Extended Flex Induction rear left - power (kW) / dimensions (mm)	3.30	300x300	-	-	-	-
Extended Flex Induction rear right - power (kW) / dimensions (mm)	3.30	300x300	-	-	-	-
Combi Zone left - power (kW) / dimensions (mm)	-	-	-	-	-	-
Combi Zone right - power (kW) / dimensions (mm)	-	-	-	-	-	-
Rear left zone - with Power Boost (max. kW)	3.70		2.20		3.70	
Rear right zone - with Power Boost (max. kW)	3.70		3.70		2.20	
Rear centre zone - with Power Boost (max. kW)	-		3.70		-	
Front left zone - with Power Boost (max. kW)	3.70		3.10		3.70	
Front right zone - with Power Boost (max. kW)	3.70		3.70		3.70	

● = Yes - = No

All models comply with COMMISSION REGULATION (EC) No 1275/2008 with regard to ecodesign requirements for standby and off mode electric power consumption.

For full specification details, please log onto our website and download a full specification sheet.



TYPE	INDUCTION		INDUCTION		INDUCTION	
DESIGN FAMILY	SERIES 6		SERIES 6		SERIES 4	
MODEL	PVW831HB1E		PIV831HB1E		PIE631BB5E	
Width in mm	802		802		592	
Control position	Front		Front		Front	
Control type	DirectSelect		DirectSelect		TouchControl	
Style	Front Bevel		Front Bevel		Front Bevel	
KEY FEATURES						
Home Connect	●		●		-	
Hob Hood Control	●		●		-	
PerfectCook temperature sensor ready	-		-		-	
PerfectFry Sensor settings	-		-		-	
Smart Hood Automatic	●		●		-	
Favourite Button	●		●		-	
Extended Flex Induction Zone	-		-		-	
Number of Flex Induction Zones	-		-		-	
Number of Combi Zones	1		-		-	
HOB FEATURES						
Number of individual zones	5		5		4	
Cooking Levels	17		17		17	
Power Boost	●		●		●	
Pan Boost	Via HC/Favourite Button a. sw upd		Via HC/Favourite Button a. sw upd		-	
Move Mode	-		-		-	
Energy Consumption Display	-		-		-	
Keep Warm Function	Via HC/Favourite Button a. sw upd		Via HC/Favourite Button a. sw upd		-	
Quick Start Function	●		●		●	
Quick Stop (Quick switch-off)	-		-		●	
Automatic setting transfer	-		-		-	
Restart Function	●		●		●	
Demo Mode	●		●		-	
Dish Categories / Setting Recommendations	-		-		-	
Wipe Protection Function (Freeze Function)	-		-		-	
*Plug&Play* with GB Plug	-		-		-	
SAFETY FEATURES						
Residual Heat Indicator	●		●		●	
Childproof Lock	●		●		●	
Pause Function	●		●		-	
Countdown timer (Timer with automatic switch off for each zone)	●		●		●	
Safety Time Switch off	●		●		●	
Pan recognition	●		●		●	
Count up Timer	-		-		-	
Main on/off switch	●		●		●	
PERFORMANCE / TECHNICAL INFORMATION						
Maximum power output (kW)	7400		7400		7400	
Nominal voltage (V)	220-240		220-240		220-240	
Electrical cable length (cm)	110		110		110	
Rear left Flex Induction zone - power (kW) / dimensions (mm)	-		-		-	
Rear left zone - power (kW) / diameter (mm)	1.60 / 145		1.60 / 145		1.80 / 180	
Rear right Flex Induction zone - power (kW) / dimensions (mm)	-		-		-	
Rear right zone - power (kW) / diameter (mm)	2.50 / 190x210		1.60 / 145		1.40 / 145	
Rear centre zone - power (kW) / diameter (mm)	2.50 / 240		2.50 / 240		-	
Front centre zone - power (kW) / diameter (mm)	-		-		-	
Front left Flex Induction zone - power (kW) / dimensions (mm)	-		-		-	
Front left zone - power (kW) / diameter (mm)	2.00 / 180		2.00 / 180		1.80 / 180	
Front right Flex Induction zone - power (kW) / dimensions (mm)	-		-		-	
Front right zone - power (kW) / diameter (mm)	2.50 / 190x210		2.50 / 210		2.20 / 210	
Flex Induction zone left - power (kW) / dimensions (mm)	-		-		-	
Flex Induction zone right - power (kW) / dimensions (mm)	-		-		-	
Extended Flex Induction rear left - power (kW) / dimensions (mm)	-		-		-	
Extended Flex Induction rear right - power (kW) / dimensions (mm)	-		-		-	
Combi Zone left - power (kW) / dimensions (mm)	-		-		-	
Combi Zone right - power (kW) / dimensions (mm)	3.30 / 380x210		-		-	
Rear left zone - with Power Boost (max. kW)	2.20		2.20		3.10	
Rear right zone - with Power Boost (max. kW)	3.70		2.20		2.20	
Rear centre zone - with Power Boost (max. kW)	3.70		3.70		-	
Front left zone - with Power Boost (max. kW)	3.10		3.10		3.10	
Front right zone - with Power Boost (max. kW)	3.70		3.70		3.70	

● = Yes - = No

All models comply with COMMISSION REGULATION (EC) No 1275/2008 with regard to ecodesign requirements for standby and off mode electric power consumption. 5 year warranty - Offer dates 01.04.24 - 31.03.25. T&C's apply. Online registration required. Selected models only.

Explore more at [bosch-home.co.uk](https://www.bosch-home.co.uk) / [bosch-home.ie](https://www.bosch-home.ie)

TYPE	INDUCTION	
DESIGN FAMILY	SERIES 4	
MODEL	PUE611BB5E	
Width in mm	592	
Control position	Front	
Control type	TouchControl	
Style	Frameless	
KEY FEATURES		
Home Connect	-	
Hob Hood Control	-	
PerfectCook temperature sensor ready	-	
PerfectFry Sensor settings	-	
Smart Hood Automatic	-	
Favourite Button	-	
Extended Flex Induction Zone	-	
Number of Flex Induction Zones	-	
Number of Combi Zones	-	
HOB FEATURES		
Number of individual zones	4	
Cooking Levels	17	
Power Boost	●	
Pan Boost	-	
Move Mode	-	
Energy Consumption Display	-	
Keep Warm Function	-	
Quick Start Function	●	
Quick Stop (Quick switch-off)	●	
Automatic setting transfer	-	
Restart Function	●	
Demo Mode	-	
Dish Categories / Setting Recommendations	-	
Wipe Protection Function	-	
*Plug&Play* with GB Plug	-	
SAFETY FEATURES		
Residual Heat Indicator	●	
Childproof Lock	●	
Pause Function	-	
Countdown timer (Timer with automatic switch off for each zone)	●	
Safety Time Switch off	●	
Pan recognition	●	
Count up Timer	-	
Main on/off switch	●	
PERFORMANCE / TECHNICAL INFORMATION		
Maximum power output (kW)	4600	
Nominal voltage (V)	220-240	
Electrical cable length (cm)	110	
Rear left Flex Induction zone - power (kW) / dimensions (mm)	-	
Rear left zone - power (kW) / diameter (mm)	1.80 / 180	
Rear right Flex Induction zone - power (kW) / dimensions (mm)	-	
Rear right zone - power (kW) / diameter (mm)	1.40 / 145	
Rear centre zone - power (kW) / diameter (mm)	-	
Front centre zone - power (kW) / diameter (mm)	-	
Front left Flex Induction zone - power (kW) / dimensions (mm)	-	
Front left zone - power (kW) / diameter (mm)	1.80 / 180	
Front right Flex Induction zone - power (kW) / dimensions (mm)	-	
Front right zone - power (kW) / diameter (mm)	2.20 / 210	
Flex Induction zone left - power (kW) / dimensions (mm)	-	
Flex Induction zone right - power (kW) / dimensions (mm)	-	
Extended Flex Induction rear left - power (kW) / dimensions (mm)	-	
Extended Flex Induction rear right - power (kW) / dimensions (mm)	-	
Combi Zone left - power (kW) / dimensions (mm)	-	
Combi Zone right - power (kW) / dimensions (mm)	-	
Rear left zone - with Power Boost (max. kW)	3.10	
Rear right zone - with Power Boost (max. kW)	2.20	
Rear centre zone - with Power Boost (max. kW)	-	
Front left zone - with Power Boost (max. kW)	3.10	
Front right zone - with Power Boost (max. kW)	3.70	

● = Yes - = No

# Induction hobs



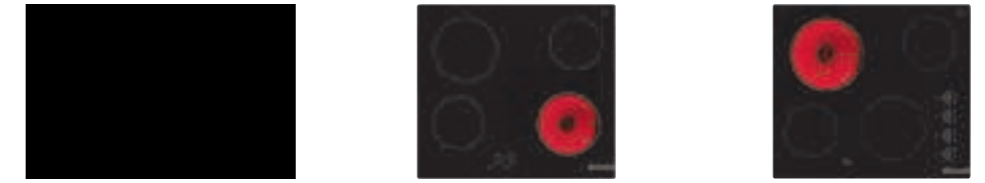
TYPE	INDUCTION	INDUCTION	INDUCTION
DESIGN FAMILY	SERIES 4	SERIES 4	SERIES 2
MODEL	PWP611BB5B	PUE611BB5B	PUG61RAA5B
Width in mm	592	592	592
Control position	Front	Front	Front
Control type	Touch Control	Touch Control	Touch Select basic
Style	Frameless	Frameless	Frameless
<b>KEY FEATURES</b>			
Home Connect	-	-	-
Hob Hood Control	-	-	-
PerfectCook temperature sensor ready	-	-	-
PerfectFry Sensor settings	-	-	-
Smart Hood Automatic	-	-	-
Favourite Button	-	-	-
Extended Flex Induction Zone	-	-	-
Number of Flex Induction Zones	-	-	-
Number of Combi Zones	1	-	-
<b>HOB FEATURES</b>			
Number of individual zones	4	4	4
Cooking Levels	17	17	9
Power Boost	●	●	Rear left only
Pan Boost	-	-	-
Move Mode	-	-	-
Energy Consumption Display	-	-	-
Keep Warm Function	-	-	-
Quick Start Function	●	●	●
Quick Stop (Quick switch-off)	●	●	●
Automatic setting transfer	-	-	-
Restart Function	●	●	-
Demo Mode	-	-	-
Dish Categories / Setting Recommendations	-	-	-
Wipe Protection Function (Freeze Function)	-	-	-
*Plug&Play* with GB Plug	●	●	●
<b>SAFETY FEATURES</b>			
Residual Heat Indicator	●	●	●
Childproof Lock	●	●	●
Pause Function	-	-	-
Countdown timer (Timer with automatic switch-off for each zone)	●	●	●
Safety Time Switch off	●	●	●
Pan recognition	●	●	●
Count up Timer	-	-	-
Main on/off switch	●	●	●
<b>PERFORMANCE / TECHNICAL INFORMATION</b>			
Maximum power output (kW)	3700	3700	3700
Nominal voltage (V)	220-240	220-240	220-240
Electrical cable length (cm)	110	110	110
Rear left Flex Induction zone - power (kW) / dimensions (mm)	-	-	-
Rear left zone - power (kW) / diameter (mm)	1.80	180	1.80
Rear right Flex Induction zone - power (kW) / dimensions (mm)	-	-	-
Rear right zone - power (kW) / diameter (mm)	1.40	145	1.40
Rear centre zone - power (kW) / diameter (mm)	-	-	-
Front centre zone - power (kW) / diameter (mm)	-	-	-
Front left Flex Induction zone - power (kW) / dimensions (mm)	-	-	-
Front left zone - power (kW) / diameter (mm)	1.80	180	1.40
Front right Flex Induction zone - power (kW) / dimensions (mm)	-	-	-
Front right zone - power (kW) / diameter (mm)	2.20	210	1.80
Flex Induction zone left - power (kW) / dimensions (mm)	-	-	-
Flex Induction zone right - power (kW) / dimensions (mm)	-	-	-
Extended Flex Induction rear left - power (kW) / dimensions (mm)	-	-	-
Extended Flex Induction rear right - power (kW) / dimensions (mm)	-	-	-
Combi Zone left - power (kW) / dimensions (mm)	3.60	388x180	-
Combi Zone right - power (kW) / dimensions (mm)	-	-	-
Rear left zone - with Power Boost (max. kW)	3.10	3.10	3.10
Rear right zone - with Power Boost (max. kW)	2.20	2.20	-
Rear centre zone - with Power Boost (max. kW)	-	-	-
Front left zone - with Power Boost (max. kW)	3.10	3.10	-
Front right zone - with Power Boost (max. kW)	3.70	3.70	-

● = Yes - = No

All models comply with COMMISSION REGULATION (EC) No 1275/2008 with regard to ecodesign requirements for standby and off mode electric power consumption.

Explore more at [bosch-home.co.uk](https://www.bosch-home.co.uk) / [bosch-home.ie](https://www.bosch-home.ie)

# Electric hobs



TYPE	CERAMIC	CERAMIC	CERAMIC
DESIGN FAMILY	SERIES 4	SERIES 2	SERIES 2
MODEL	PKN811BA2E	PKE61RAA8B	PKE611CA3E
Width in mm	802	592	592
Control position	Front	Front	Side
Control type	Touch Select	Touch Select	Control Dials
Style	Frameless	Frameless	Frameless
<b>KEY FEATURES</b>			
Number of individual zones	4	4	4
No. of Dual Zones	2	-	-
No. of Extendable Zones	2	-	-
Power Boost	-	-	-
Power Levels	17	9	9
Digital Display	●	●	-
Quick Stop (Quick switch-off)	●	●	-
Restart Function	●	-	-
Energy Consumption Display	-	-	-
Demo Mode	●	●	-
Keep warm function	-	-	-
*Plug&Play* with GB Plug	-	-	-
Wipe protection function	-	-	-
<b>SAFETY FEATURES</b>			
Residual Heat Indicators	●	●	●
Childproof Lock	●	●	-
Safety Time Switch off	●	●	-
Countdown Timer	-	-	-
Count up Timer	-	-	-
Main on/off switch	●	●	-
<b>PERFORMANCE / TECHNICAL INFORMATION</b>			
Maximum power output (W)	7500	6400	6600
Nominal voltage (V)	220-240	220-240	220-240
Electrical cable length (cm)	N/A on CMD	100	N/A on CMD
Rear left zone - power (kW) / diameter (mm)	1.80	170 (265)	2
Rear right zone - power (kW) / diameter (mm)	1.20	145	1.20
Rear centre zone - power (kW) / diameter (mm)	-	-	-
Front left zone - power (kW) / diameter (mm)	2	180	1.20
Front right zone - power (kW) / diameter (mm)	0.75	120 (210)	2
Rear left zone dual - power (kW) / diameter (mm)	2.60	265	-
Rear right zone dual - power (kW) / diameter (mm)	-	-	-
Front left zone dual - power (kW) / diameter (mm)	-	-	-
Front right zone dual - power (kW) / diameter (mm)	2.20	210	-

● = Yes - = No

All models comply with COMMISSION REGULATION (EC) No 1275/2008 with regard to ecodesign requirements for standby and off mode electric power consumption.

Making **life easy** through innovative technologies



TYPE	GAS	GAS	GAS
DESIGN FAMILY	SERIES 6	SERIES 6	SERIES 6
STAINLESS STEEL / STAINLESS STEEL TRIM	-	-	-
BLACK / PREMIUM BLACK	PPS9A6B90	PPQ7A6B90	PPP6A6B90
WHITE / PREMIUM WHITE	-	-	-
Width (mm)	915	752	590
Control position	Front	Front	Front
Installation flush with work top possible	●	●	●
"Diamond" shape burner layout	-	-	-
Hob surface type	Tempered glass	Tempered glass	Tempered glass
<b>KEY FEATURES</b>			
Flame Select power controls	●	●	●
Digital power level display	-	-	-
Number of dual circuit wok style burners	1	1	-
High power (5.0kW+) wok burner	-	-	-
Dual control wok burner	●	●	-
<b>FEATURES</b>			
Number of cooking zones	5	5	4
Individual power levels	9	9	9
Variable power levels	-	-	-
Cast iron pan supports (number)	5 x Dishwasher safe	5	4
Cast iron finish pan supports (number)	-	-	-
Enamelled steel pan supports (number)	-	-	-
Two piece burners	●	●	●
<b>SAFETY FEATURES</b>			
Ignition via control dials	●	●	●
Flame failure safety device	●	●	●
<b>PERFORMANCE / TECHNICAL INFORMATION</b>			
Maximum gas power output load (W)	11500	11500	7500
Nominal voltage (V)	220-240	220-240	220-240
Total connected electrical load (W)	1.1	1.1	1.1
Cable length (cm)	150	100	100
GB plug	-	-	-
Left burner power (kW)	4.00	-	-
Front left burner power (kW)	-	1.00	1.75
Rear left burner power (kW)	-	1.75	1.75
Centre / Centre front burner power (kW)	1.00	4.00	-
Centre back burner power (kW)	1.75	-	-
Rear right burner power (kW)	3.00	3.00	3.00
Front right burner power (kW)	1.75	1.75	1.00
Right burner power (kW)	-	-	-
Pre-set for natural gas	●	●	●
CE Marked	●	●	●
<b>STANDARD ACCESSORIES</b>			
Wok stand	-	-	-
LPG jets	28-30 / 37mbar	28-30 / 37mbar	28-30 / 37mbar

● = Yes - = No

TYPE	GAS	GAS	GAS
DESIGN FAMILY	SERIES 6	SERIES 6	SERIES 6
STAINLESS STEEL / STAINLESS STEEL TRIM	PCR9A5B90	PCS7A5B90	PCQ7A5B90
BLACK / PREMIUM BLACK	-	-	-
WHITE / PREMIUM WHITE	-	-	-
Width (mm)	915	750	750
Control dial position	Front	Front	Front
Installation flush with work top possible	-	-	-
"Diamond" shape burner layout	-	-	-
Hob surface type	Metal	Metal	Metal
<b>KEY FEATURES</b>			
Flame Select power controls	●	●	●
Digital power level display	-	-	-
Number of dual circuit wok style burners	1	1	1
High power (5.0kW+) wok burner	●	●	-
Dual control wok burner	●	●	●
<b>FEATURES</b>			
Number of cooking zones	5	5	5
Individual power levels	9	9	9
Variable power levels	-	-	-
Cast iron pan supports (number)	3	3	3
Cast iron finish pan supports (number)	-	-	-
Enamelled steel pan supports (number)	-	-	-
Two piece burners	●	●	●
<b>SAFETY FEATURES</b>			
Ignition via control dials	●	●	●
Flame failure safety device	●	●	●
<b>PERFORMANCE / TECHNICAL INFORMATION</b>			
Maximum gas power output load (W)	12500	12500	11500
Nominal voltage (V)	220-240	220-240	220-240
Total connected electrical load (W)	1.1	1.1	1.1
Cable length (cm)	150	100	100
GB plug	-	-	-
Left burner power (kW)	-	5.00	-
Front left burner power (kW)	1.00	-	1.00
Rear left burner power (kW)	1.75	-	1.75
Centre / Centre front burner power (kW)	5.00	1.00	4.00
Centre back burner power (kW)	-	1.75	-
Rear right burner power (kW)	3.00	3.00	3.00
Front right burner power (kW)	1.75	1.75	1.75
Right burner power (kW)	-	-	-
Pre-set for natural gas	●	●	●
CE Marked	●	●	●
<b>STANDARD ACCESSORIES</b>			
Wok stand	-	-	-
LPG jets	28-30 / 37mbar	28-30 / 37mbar	28-30 / 37mbar

● = Yes - = No



TYPE	GAS	GAS	GAS
DESIGN FAMILY	SERIES 6	SERIES 4	SERIES 4
STAINLESS STEEL / STAINLESS STEEL TRIM	PCP6A5B90	PGQ7B5B90	-
BLACK / PREMIUM BLACK	PCP6A6B90	-	PNP6B6B90
WHITE / PREMIUM WHITE	-	-	-
Width (mm)	582	750	590
Control dial position	Front	Front	Front
Installation flush with work top possible	-	-	●
"Diamond" shape burner layout	-	-	-
Hob surface type	Metal	Metal	Tempered glass
<b>KEY FEATURES</b>			
Flame Select power controls	●	-	-
Digital power level display	-	-	-
Number of dual circuit wok style burners	-	1	-
High power (5.0kW+) wok burner	-	-	-
Dual control wok burner	-	●	-
<b>FEATURES</b>			
Number of cooking zones	4	5	4
Individual power levels	9	-	-
Variable power levels	-	●	●
Cast iron pan supports (number)	2	3	2
Cast iron finish pan supports (number)	-	-	-
Enamelled steel pan supports (number)	-	-	-
Two piece burners	●	●	●
<b>SAFETY FEATURES</b>			
Ignition via control dials	●	●	●
Flame failure safety device	●	●	●
<b>PERFORMANCE / TECHNICAL INFORMATION</b>			
Maximum gas power output load (W)	7500	10800	7500
Nominal voltage (V)	220-240	220-240	220-240
Total connected electrical load (W)	1.1	1.1	1.1
Cable length (cm)	100	150	100
GB plug	-	-	-
Left burner power (kW)	-	-	-
Front left burner power (kW)	1.75	1.00	1.75
Rear left burner power (kW)	1.75	1.75	1.75
Centre / Centre front burner power (kW)	-	3.30	-
Centre back burner power (kW)	-	-	-
Rear right burner power (kW)	3.00	3.00	3.00
Front right burner power (kW)	1.00	1.75	1.00
Right burner power (kW)	-	-	-
Pre-set for natural gas	●	●	●
CE Marked	●	●	●
<b>STANDARD ACCESSORY</b>			
Wok stand	-	-	-
LPG jets	28-30 / 37mbar	28-30 / 37mbar	28-30 / 37mbar

● = Yes - = No

TYPE	GAS	GAS
DESIGN FAMILY	SERIES 4	SERIES 2
STAINLESS STEEL / STAINLESS STEEL TRIM	PGP6B5B90	PBP6B5B60
BLACK / PREMIUM BLACK	-	PBP6B6B60
WHITE / PREMIUM WHITE	-	PBP6B2B60
Width (mm)	582	580
Control dial position	Front	Right Side
Installation flush with work top possible	-	-
"Diamond" shape burner layout	-	-
Hob surface type	Metal	Metal
<b>KEY FEATURES</b>		
Flame Select power controls	-	-
Digital power level display	-	-
Number of dual circuit wok style burners	-	-
High power (5.0kW+) wok burner	-	-
Dual control wok burner	-	-
<b>FEATURES</b>		
Number of cooking zones	4	4
Individual power levels	-	-
Variable power levels	●	●
Cast iron pan supports (number)	2	-
Cast iron finish pan supports (number)	-	2
Enamelled steel pan supports (number)	-	-
Two piece burners	●	●
<b>FEATURES</b>		
Ignition via control dials	●	●
Flame failure safety device	●	●
<b>PERFORMANCE / TECHNICAL INFORMATION</b>		
Maximum gas power output load (W)	7500	7400
Nominal voltage (V)	220-240	220-240
Total connected electrical load (W)	1.1	0.8
Cable length (cm)	100	100
GB plug	-	-
Left burner power (kW)	-	-
Front left burner power (kW)	1.75	3.00
Rear left burner power (kW)	1.75	1.70
Centre / Centre front burner power (kW)	-	-
Centre back burner power (kW)	-	-
Rear right burner power (kW)	3.00	1.70
Front right burner power (kW)	1.00	1.00
Right burner power (kW)	-	-
Pre-set for natural gas	●	●
CE Marked	●	●
<b>STANDARD ACCESSORY</b>		
Wok stand	-	-
LPG jets	28-30 / 37mbar	28-30 / 37mbar

● = Yes - = No

All models comply with COMMISSION REGULATION (EC) No 1275/2008 with regard to ecodesign requirements for standby and off mode electric power consumption.

# One venting hob, four installation possibilities.

## Standard recirculation configuration

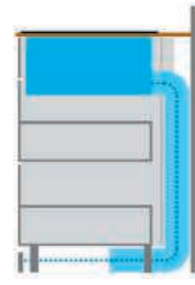


Unducted recirculation

## Other exhaust configuration possibilities depending on installation



(Fully ducted) exhaust



Partly ducted recirculation



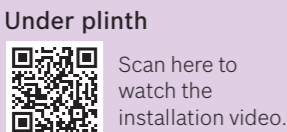
Fully ducted recirculation

**HEZ9VRPD1 Diffuser –** Standard unducted recirculation included in your box - no additional ducting is required for this installation.



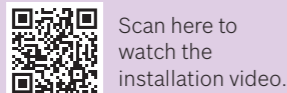
Scan here to watch the installation video.

**HEZ9VDKE1 Ducted exhaust starter kit –** additional ducting components may be required depending on exact installation.



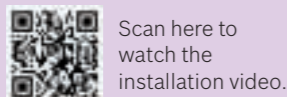
Scan here to watch the installation video.

### Under plinth



Scan here to watch the installation video.

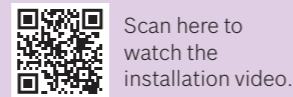
### Under floor



Scan here to watch the installation video.

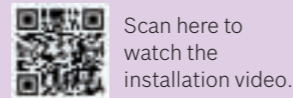
**Partly ducted recirculation kit –** additional ducting components may be required depending on exact installation.

### HEZ9VDKR1 - 60cm deep worktops



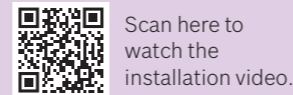
Scan here to watch the installation video.

### HEZ9VDKR0 - 70cm deep worktops



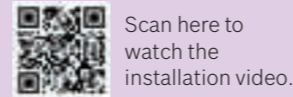
Scan here to watch the installation video.

**Fully ducted recirculation kit –** HEZ9VDKR1 - 60cm deep worktop



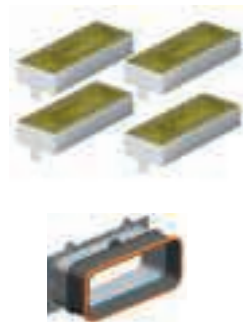
Scan here to watch the installation video.

HEZ9VDKR0 - 70cm deep worktops



Scan here to watch the installation video.

An additional straight channel 50cm (HEZ9VDSM1) and connector (HEZ9VDSS1) is required with this kit.



### Contains:

- 4 x Clean Air Plus recirculating filters (HEZ9VRCR1)
- Telescopic slider

### Contains:

- 1 x Small radius bend (HEZ9VDSB4)
- 1 x connector (HEZ9VDSS1)
- 1 x 50cm straight channel (HEZ9VDSM1)
- 1 x set of 4 acoustic filters

### HEZ9VDKR1 60cm contains:

- 1 x Small radius bend
- 1 x Large radius bend

### HEZ9VDKR0 70cm contains:

- 2 x Large radius bend

### Both contain:

- 3 x connectors
- 1 x 50cm straight channel (HEZ9VDSM1)
- 1 x diffuser (HEZ9VRPD1)

### HEZ9VDKR1 60cm contains:

- 1 x Small radius bend
- 1 x Large radius bend

### HEZ9VDKR0 70cm contains:

- 2 x Large radius bend

### Both contain:

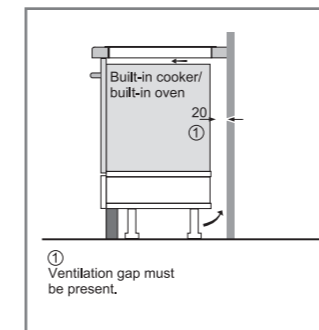
- 3 x connectors
- 1 x 50cm straight channel (HEZ9VDSM1)
- 1 x diffuser (HEZ9VRPD1)

# Ducting component accessories

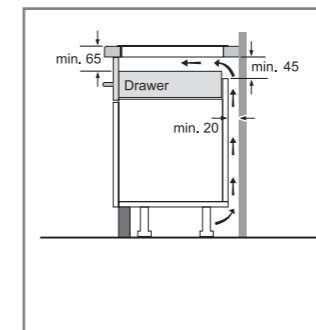
Description	Code
Flat channel ducting component, straight length, 100cm long. Ducting component outlet size: 222mm x 89mm.	HEZ9VDSM2
Flat channel ducting component, straight length, 50cm long. Ducting component outlet size: 222mm x 89mm.	HEZ9VDSM1
Flat channel 90° horizontal bend. Ducting component outlet size: 222mm x 89mm.	HEZ9VDSB1
Flat channel 90° vertical bend (large Radius), suitable for 70cm worktop depths. Ducting component outlet size: 222mm x 89mm.	HEZ9VDSB2
Flat channel 90° vertical bend (medium Radius), suitable for 65cm worktop depths. Ducting component outlet size: 222mm x 89mm.	HEZ9VDSB3
Flat channel 90° vertical bend (short Radius), suitable for 60cm worktop depths. Ducting component outlet size: 222mm x 89mm.	HEZ9VDSB4
Connection piece for use between ducting components and bends. Ducting component size: 223mm x 90mm.	HEZ9VDSS1
Flexible Connection piece for use between ducting components and bends. Ducting component size: 223mm x 90mm.	HEZ9VDSS2
Straight Adaptor / Converter flat to round (Ø 150mm). Ducting component outlet size: 222mm x 89mm.	HEZ9VDSI0
90° Adaptor / Converter flat to round (Ø 150mm). Ducting component outlet size: 222 mm x 89mm.	HEZ9VDSI1

# Electric hobs technical diagrams

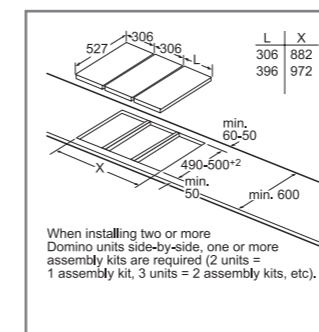
## All models



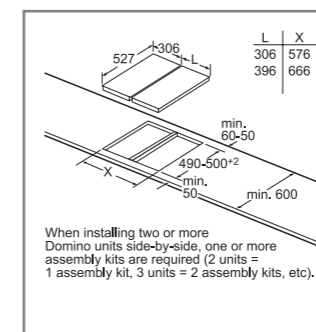
Induction all models



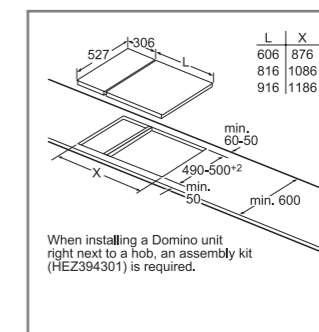
Induction all models



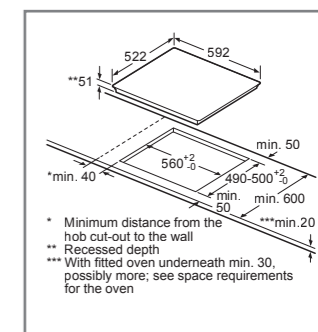
When installing two or more Domino units side-by-side, one or more assembly kits are required (2 units = 1 assembly kit, 3 units = 2 assembly kits, etc).



When installing two or more Domino units side-by-side, one or more assembly kits are required (2 units = 1 assembly kit, 3 units = 2 assembly kits, etc).

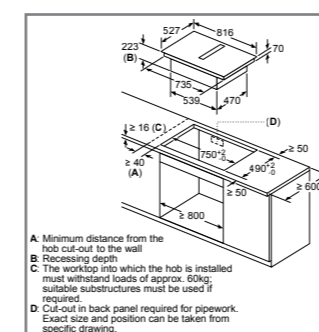


When installing a Domino unit right next to a hob, an assembly kit (HEZ394301) is required.

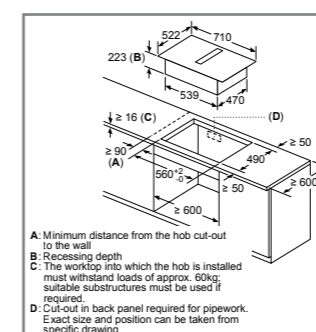


\* Minimum distance from the hob cut-out to the wall  
\*\* Recessed depth  
\*\*\* With fitted oven underneath min. 30, possibly more; see space requirements for the oven

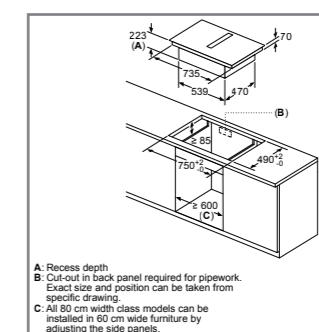
## Venting Hobs



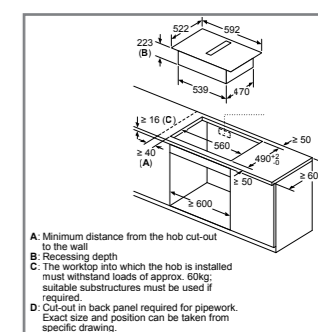
PXX875D67E



PVQ731H26E



PVS811B16E



PVS611B16E

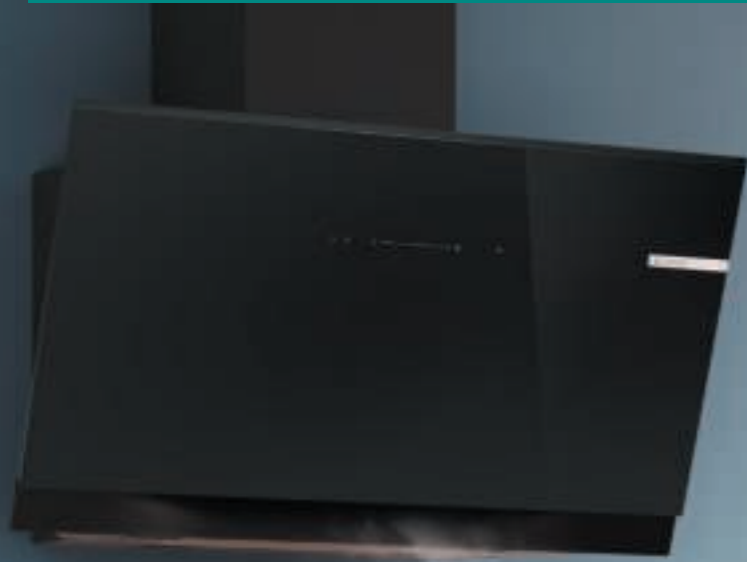
All diagram measurements are in millimetres (mm)

We try to keep up to date with constant technological improvements, so from time to time we may update installation guidelines. Therefore we strongly recommend that you download the latest installation guidelines from [www.bosch-home.co.uk](http://www.bosch-home.co.uk). Line drawings are for guidance only, and we recommend that you refer to the latest installation guidelines. Though every care is taken to ensure instructions are correct at the time of printing, Bosch cannot accept responsibility for incorrect planning or installation as a result of the use of these line drawings.



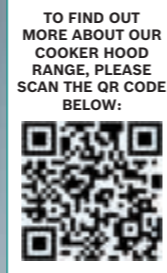






Offering a blend of function and form, Bosch hoods deliver quiet, effective extraction that makes the kitchen and home a more pleasant environment. Make a bold design statement or complement a more minimalist look.

To help you choose the right hood, we have divided them into four ranges.



## Series 8

With our **Series 8** range of hoods, experience automatic extraction rate control with **PerfectAir** sensor technology. Our hoods offer high quality craftsmanship combined with cutting-edge technologies to make the kitchen a more pleasant environment.

## Series 6

Ultimate convenience and tasteful design make cooker hoods within our **Series 6** range an asset to any stylish kitchen. Electronic controls give you ease of use. Experience maximum operating convenience with **DirectSelect** touch controls from Bosch.

## Series 4

As the centre of family life, the kitchen needs to have a comfortable atmosphere free of cooking steam and disruptive noise. Our **Series 4** range of cooker hoods are extremely quiet, easy to operate and impressive with their modern design.

## Series 2

With our **Series 2** range of hoods, you can be assured of high quality design and features that make your life easier in the kitchen, such as easy-to-use controls and dishwasher proof metal grease filters for greater convenience.

## Hood functions explained.

Check model for available functions.



**PerfectAir**  
A sensor constantly detects the levels of odours in the air and adjusts the power level – from light use to intensive – to ensure your kitchen air is always clean and fresh.



**Hob Hood Control**  
Control your hood via your hob with Hob-Hood Control on selected Bosch hoods. The hob and hood connect directly with WiFi and as soon as your hob is turned on, your hood lights will come on and it will start extracting. Pair this feature with the **PerfectAir Sensor** in automatic mode to create a fully automated ventilation solution.



**Clean Air Plus Filters**  
Our Eco Silence Drive brushless friction-free motor is durable and designed to last longer. The motor helps to keep sound levels low while delivering highly efficient and powerful performance\*, ultimately saving you energy.  
\*Sound power measured according to EN60704-3 on largest pipe diameter.



**Eco Silence Drive**  
Our Eco Silence Drive brushless friction-free motor is durable and designed to last longer. The motor is highly efficient and offers exceptional performance while saving you energy.

### LED lights

Our energy efficient lighting can be adjusted for bright illumination to work under, or lower illumination for ambient mood lighting in the kitchen thanks to the dimmer function.



**Touch Control**  
Set the exact power level with a single touch thanks to Touch Control. It's easy to operate: simply select the right power level or turn on the lights and away you go.



**Silence**  
Your guests are not alone in appreciating a relaxed cook. So you can chat with your guests while cooking.



**Easy mounting**  
Easy to install appliances give you another reason to choose a Bosch Hood.

### Filter Saturation Indicators

Out of sight, out of mind: when it comes to the filters in our hoods we often forget to check if they need to be changed. With Home Connect you can now check the state of your hood's filters, and receive valuable maintenance information. Simply log onto the app\* to check the carbon and grease saturation of your filters and whether a replacement is necessary.

\*Selected models only

## A hood for every kitchen

### Wall-mounted

Wall-mounted cooker hoods are generally mounted above the hob, on the wall between the wall units. This type of cooker hood fits beautifully into the line of your kitchen units whilst providing effective ventilation that you'll barely see – but you'll notice the amazing effect. These feature the Bosch clip which can be matched with other Bosch appliances in your kitchen.



**Box Chimney**  
Chimney hoods in a box design perfectly complement your hob installation.



**Glass Chimney**  
Straight glass chimney hoods are great for a traditional and stylish kitchen.



**Pyramid Chimney**  
Pyramid hoods impress with classic lines and the refined contours of the contemporary Slim Pyramid designs.



**Angled Glass**  
The angled design doesn't restrict headroom so you can keep an eye on your cooking with ease.

### Counter Top



**Glass Draft**  
The new counter top Glass Draft extractor fits seamlessly into your kitchen, and disappears out of sight into the cabinets below when not in use. The clear glass panel that is elevated during use, allows for extraction of steam and odours directly from the source, without intruding in your kitchen.

### Ceiling



**Ceiling**  
A flush fit ceiling cooker hood is normally installed into a false ceiling. It not only ensures clean air, it also provides excellent lighting for your hob and creates more space in island kitchen cabinets.

### Integrated



**Integrated Design Hood**  
Flush Integrated design with fold out glass panel, make these hoods the storage champion. Allowing 10kg storage each side of the chimney on the hood, discreetly hidden in kitchen furniture.



**Telescopic**  
Telescopic cooker hoods are installed into a wall unit. To operate them, the flat section is pulled out, enlarging the extraction surface. Selected models have easy installation systems and accessories are available, as well as a lowering frame to make the hood invisible when not in use.



**Canopy**  
Bosch canopy cooker hoods are powerful ventilation systems that can be integrated into the cabinets above your hob. The hood provides excellent extraction of steam and cooking smells, as well as providing additional lighting for your cooking surfaces.



**Integrated**  
Integrated cooker hoods have a furniture panel mounted to them installing seamlessly into the kitchen. For use this front panel is pulled forward at an angle, only then making the hood visible.

## Order Seamless Combination

### Step 1 – Glass Draft Hood

Order your glass draft hood  
• DDW88MM60B

### Step 2 – Induction Hob

Order your compatible induction hob  
• PIV831HB1E  
• PVW831HB1E  
• PXV831HC1E  
• PXY831KHC1E

### Step 3 – Seamless Installation Kit

Order your seamless combination kit  
• DSZ8WW1Y2



HOOD TYPE	GLASS DRAFT HOOD
DESIGN FAMILY	SERIES 8
MODEL	DDW88MM60B
Colour	Black with clear Glass
<b>KEY FEATURES</b>	
PerfectAir Sensor	•
Home Connect	•
Hob Hood Control	•
EcoSilence Drive Motor	-
Intensive setting / Automatic intensive revert <sup>1</sup>	-
Filter saturation indicators	-
<b>ADDITIONAL PROGRAMMES / FUNCTIONS</b>	
Type of control	Touch control
Power levels	3 + 2 intensive
Electronic power level display	-
Lighting	-
Softlight with dimmer function	-
Number of metal grease filter cassettes	1
Suitable for ducted operation / recirculating	•
<b>PERFORMANCE / TECHNICAL INFORMATION</b>	
Appliance width (mm)	802
<b>EXTRACTION RATE IN M<sup>3</sup>/H<sup>(2,3)</sup></b>	
- Ducted / recirculating at power level 1	223 / 170
- Ducted / recirculating at power level 2	378 / 362
- Ducted / recirculating at power level 3	501 / 447
- Ducted / recirculating at power level 4 or intensive level 1	630 / 501
- Ducted / recirculating, intensive setting or intensive level 2	775 / 562
<b>NOISE LEVEL (SOUND POWER) BASED ON DB(A) RE 1 PW<sup>(2,4)</sup></b>	
- Ducted / recirculating at power level 1	39 / 43
- Ducted / recirculating at power level 2	56 / 60
- Ducted / recirculating at power level 3	62 / 65
- Ducted / recirculating at power level 4 or intensive level 1	67 / 67
- Ducted / recirculating, intensive setting or intensive level 2	70 / 70
Pipe outlet diameter (mm)	150 / 120
Min. distance above an electric hob / gas hob <sup>5</sup> (mm)	0 / -
GB plug	•
Energy Rating	A
<b>OPTIONAL ACCESSORIES<sup>6</sup></b>	
Optional 80cm Seamless Installation Kit	DSZ8WW1Y2
Optional cleanAir Plus Recirculation Kit	DSZ1WW1I6
Remote Motor Installation Kit	DSZ1WW1M1

<sup>1</sup>Power automatically reverts back to normal setting after intensive.

<sup>2</sup>Air Flow and noise declarations made in line with CECEC Code of Conduct.

<sup>3</sup>Measured according to EN61591 on largest pipe diameter.

<sup>4</sup>Sound power measured according to EN60704-3 on largest pipe diameter.

<sup>5</sup>From top of pan supports.

<sup>6</sup>A type of recirculating kit is required if recirculating. Depending on the model, a 'Recirculating odour filter kit' will consist of the following items: Charcoal filter, flexible hose, air duct, fixing components, installation instructions.

HOOD TYPE	CEILING
DESIGN FAMILY	SERIES 6
MODEL	DRC97AQ50B
Colour	Brushed Steel
<b>KEY FEATURES</b>	
PerfectAir Sensor	-
Home Connect	•
Hob Hood Control	•
EcoSilence Drive Motor	•
Intensive setting / Automatic intensive revert <sup>1</sup>	•
Filter saturation indicators	•
<b>ADDITIONAL PROGRAMMES / FUNCTIONS</b>	
Type of control	Remote control
Power levels	3 + 2 intensive
Electronic power level display	-
Lighting	4 x LED lights
Softlight with dimmer function	•
Number of metal grease filter cassettes	2
Suitable for ducted operation / recirculating	•
<b>PERFORMANCE / TECHNICAL INFORMATION</b>	
Appliance width (mm)	900
<b>EXTRACTION RATE IN M<sup>3</sup>/H<sup>(2,3)</sup></b>	
- Ducted / recirculating at power level 1	265 / 200
- Ducted / recirculating at power level 2	335 / 316
- Ducted / recirculating at power level 3	459 / 422
- Ducted / recirculating at power level 4 or intensive level 1	594 / 513
- Ducted / recirculating, intensive setting or intensive level 2	798 / 565
<b>NOISE LEVEL (SOUND POWER) BASED ON DB(A) RE 1 PW<sup>(2,4)</sup></b>	
- Ducted / recirculating at power level 1	41 / 46
- Ducted / recirculating at power level 2	47 / 57
- Ducted / recirculating at power level 3	56 / 63
- Ducted / recirculating at power level 4 or intensive level 1	62 / 67
- Ducted / recirculating, intensive setting or intensive level 2	68 / 69
Pipe outlet diameter (mm)	150
Min. distance above an electric hob / gas hob <sup>5</sup> (mm)	650 / 650
GB plug	•
Energy Rating	A
<b>OPTIONAL ACCESSORIES<sup>6</sup></b>	
CleanAir Plus Recirculating Module (Stainless Steel)	DIZ1JC5C6
CleanAir Plus Recirculating Module (White)	DIZ1JC2C6
Long Life Regenerative Recirculation Module (Stainless Steel)	DIZ0JC5D0
Long Life Regenerative Recirculation Module (White)	DIZ0JC2D0

<sup>1</sup>Power automatically reverts back to normal setting after intensive.

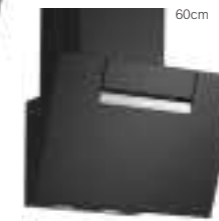
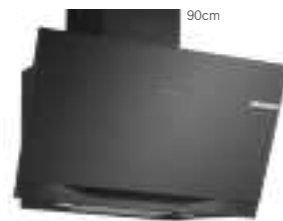
<sup>2</sup>Air Flow and noise declarations made in line with CECEC Code of Conduct.

<sup>3</sup>Measured according to EN61591 on largest pipe diameter.

<sup>4</sup>Sound power measured according to EN60704-3 on largest pipe diameter.

<sup>5</sup>From top of pan supports.

<sup>6</sup>A type of recirculating kit is required if recirculating. Depending on the model, a 'Recirculating odour filter kit' will consist of the following items: Charcoal filter, flexible hose, air duct, fixing components, installation instructions.



HOOD TYPE	ANGLED	ANGLED
DESIGN FAMILY	SERIES 8	SERIES 6
MODEL	DWK91LT60B	DWK81AN60B
Colour	Black Glass	Black Glass
<b>KEY FEATURES</b>		
PerfectAir Sensor	●	-
Smart Hood Automatic	-	●
Home Connect	●	●
Hob Hood Control	●	●
EcoSilence Drive Motor	●	●
Intensive setting / Automatic intensive revert <sup>1</sup>	Automatic intensive revert	Automatic intensive revert
Filter saturation indicators	●	●
<b>ADDITIONAL PROGRAMMES / FUNCTIONS</b>		
Type of control	Touch control	Touch control
Power levels	3 + 1 intensive	3 + 1 intensive
Electronic power level display	-	-
Lighting	2 x LED lights	2 x LED lights
Softlight with dimmer function	●	●
Number of metal grease filter cassettes	2	2
Suitable for ducted operation / recirculating	●	●
<b>PERFORMANCE / TECHNICAL INFORMATION</b>		
Appliance width (mm)	890	790
<b>EXTRACTION RATE IN M<sup>3</sup>/H<sup>(2,3)</sup></b>		
- Ducted / recirculating at power level 1	228 / 221	223 / 212
- Ducted / recirculating at power level 2	325 / 315	320 / 315
- Ducted / recirculating at power level 3	441 / 435	432 / 433
- Ducted / recirculating at power level 4 or intensive level 1	753 / 752	915 / 896
- Ducted / recirculating, intensive setting or intensive level 2	1007 / 964	-
<b>NOISE LEVEL (SOUND POWER) BASED ON DB(A) RE 1 PW<sup>(2,4)</sup></b>		
- Ducted / recirculating at power level 1	35 / 42	35 / 42
- Ducted / recirculating at power level 2	43 / 51	43 / 51
- Ducted / recirculating at power level 3	51 / 59	51 / 59
- Ducted / recirculating at power level 4 or intensive level 1	65 / 72	68 / 76
- Ducted / recirculating, intensive setting or intensive level 2	70 / 78	-
Pipe outlet diameter (mm)	150	150
Min. distance above an electric hob / gas hob <sup>5</sup> (mm)	450 / 650	450 / 650
GB plug	●	●
Energy Rating	A+	A+
<b>OPTIONAL ACCESSORIES<sup>6</sup></b>		
Standard Recirculation Kit	-	-
Standard Recirculation Kit (Chimless Installation)	-	-
CleanAir Plus Anti-Pollen Recirculation Kit	DWZ1AK1I6	DWZ1AK1I6
CleanAir Plus Anti-Pollen Recirculation Kit (Chimless Installation)	DWZ1AK1V6	DWZ1AK1V6
Long Life Regenerative Recirculation Kit	DWZ0AK0S0	DWZ0AK0S0
Long Life Regenerative Integrated Recirculation Kit	-	-
Long Life Regenerative Recirculation Kit (Chimless Installation)	DWZ0AK0R0	DWZ0AK0R0
Black Chimney	DWZ1AX6E1	DWZ1AX6E1

<sup>1</sup>Power automatically reverts back to normal setting after intensive.

<sup>2</sup>Air Flow and noise declarations made in line with CECEC Code of Conduct.

<sup>3</sup>Measured according to EN61591 on largest pipe diameter.

<sup>4</sup>Sound power measured according to EN60704-3 on largest pipe diameter.

<sup>5</sup>From top of pan supports.

<sup>6</sup>A type of recirculating kit is required if recirculating. Depending on the model, a 'Recirculating odour filter kit' will consist of the following items: Charcoal filter, flexible hose, air duct, fixing components, installation instructions.

HOOD TYPE	ANGLED	ANGLED		
DESIGN FAMILY	SERIES 4	SERIES 2		
MODEL/WIDTH	DWK87FN60B/80CM DWK67FN60B/60CM*	DWK85DK60B/80CM DWK65DK60B/60CM		
Colour	Black	Black		
<b>KEY FEATURES</b>				
PerfectAir Sensor	-	-		
Smart Hood Automatic	●	-		
Home Connect	●	-		
Hob Hood Control	●	-		
EcoSilence Drive Motor	●	-		
Intensive setting / Automatic intensive revert <sup>1</sup>	●	●		
Filter saturation indicators	-	-		
<b>ADDITIONAL PROGRAMMES / FUNCTIONS</b>				
Type of control	Touch Control	Touch control		
Power levels	3 + 1 intensive	3 + 1 intensive		
Electronic power level display	●	●		
Lighting	2 x LED lights	2 x LED lights		
Softlight with dimmer function	-	-		
Number of metal grease filter cassettes	2	2		
Suitable for ducted operation / recirculating	●	●		
<b>PERFORMANCE / TECHNICAL INFORMATION</b>				
Appliance width (mm)	790	590	800	600
<b>EXTRACTION RATE IN M<sup>3</sup>/H<sup>(2,3)</sup></b>				
- Ducted / recirculating at power level 1		223 / 208		220 / 215
- Ducted / recirculating at power level 2		318 / 309		315 / 300
- Ducted / recirculating at power level 3		431 / 429		430 / 445
- Ducted / recirculating at power level 4 or intensive level 1		768 / 724		550 / 550
- Ducted / recirculating, intensive setting or intensive level 2		-		-
<b>NOISE LEVEL (SOUND POWER) BASED ON DB(A) RE 1 PW<sup>(2,4)</sup></b>				
- Ducted / recirculating at power level 1		39 / 47		46 / 51
- Ducted / recirculating at power level 2		48 / 54		53 / 61
- Ducted / recirculating at power level 3		56 / 62		60 / 69
- Ducted / recirculating at power level 4 or intensive level 1		68 / 74		65 / 72
- Ducted / recirculating, intensive setting or intensive level 2		-		-
Pipe outlet diameter (mm)		150		150
Min. distance above an electric hob / gas hob <sup>5</sup> (mm)		450 / 650		450 / 650
GB plug		●		●
Energy Rating		A+		A
<b>OPTIONAL ACCESSORIES<sup>6</sup></b>				
Standard Recirculation Kit		-		DWZ1EK1U1
Standard Recirculation Kit (Chimless Installation)		-		-
CleanAir Plus Anti-Pollen Recirculation Kit		DWZ1AK1I6		-
CleanAir Plus Anti-Pollen Recirculation Kit (Chimless Installation)		DWZ1AK1V6		-
Long Life Regenerative Recirculation Kit		DWZ0AK0S0		DWZ1FX5D1
Long Life Regenerative Integrated Recirculation Kit		-		DWZ0X0J0
Long Life Regenerative Recirculation Kit (Chimless Installation)		DWZ0AK0R0		-
Black Chimney		DWZ1AX6E1		-

<sup>1</sup>Power automatically reverts back to normal setting after intensive.

<sup>2</sup>Air Flow and noise declarations made in line with CECEC Code of Conduct.

<sup>3</sup>Measured according to EN61591 on largest pipe diameter.

<sup>4</sup>Sound power measured according to EN60704-3 on largest pipe diameter.

<sup>5</sup>From top of pan supports.

<sup>6</sup>A type of recirculating kit is required if recirculating. Depending on the model, a 'Recirculating odour filter kit' will consist of the following items: Charcoal filter, flexible hose, air duct, fixing components, installation instructions.

5 Year Warranty offer dates 01.04.23 – 31.03.24. T&C's apply. Online registration required. Selected models only.

All models comply with COMMISSION REGULATION (EC) No 1275/2008 with regard to ecodesign requirements for standby and off mode electric power consumption.

# Glass chimney hoods



HOOD TYPE	STRAIGHT GLASS CHIMNEY	
DESIGN FAMILY	SERIES 2	
MODEL/WIDTH	DWG94BC50B/90CM DWG64BC50B/60CM	
Colour	Brushed Steel & Glass	
<b>KEY FEATURES</b>		
PerfectAir Sensor	-	
Home Connect	-	
Hob Hood Control	-	
EcoSilence Drive Motor	-	
Intensive setting / Automatic intensive revert <sup>1</sup>	-	
Filter saturation indicators	-	
<b>ADDITIONAL PROGRAMMES / FUNCTIONS</b>		
Type of control	Push button control	
Power levels	3	
Electronic power level display	-	
Lighting	2 x LED lights	
Softlight with dimmer function	-	
Number of metal grease filter cassettes	2 - 90cm model / 1 - 60cm model	
Suitable for ducted operation / recirculating	●	
<b>PERFORMANCE / TECHNICAL INFORMATION</b>		
Appliance width (mm)	900	600
<b>EXTRACTION RATE IN M<sup>3</sup>/H<sup>(2,3)</sup></b>		
- Ducted / recirculating at power level 1	198 / 120	198 / 115
- Ducted / recirculating at power level 2	263 / 161	263 / 156
- Ducted / recirculating at power level 3	365 / 240	365 / 240
- Ducted / recirculating at power level 4 or intensive level 1	-	-
- Ducted / recirculating, intensive setting or intensive level 2	-	-
<b>NOISE LEVEL (SOUND POWER) BASED ON DB(A) RE 1 PW<sup>(2,4)</sup></b>		
- Ducted / recirculating at power level 1	49 / 57	49 / 55
- Ducted / recirculating at power level 2	57 / 61	58 / 62
- Ducted / recirculating at power level 3	64 / 65	64 / 65
- Ducted / recirculating at power level 4 or intensive level 1	-	-
- Ducted / recirculating, intensive setting or intensive level 2	-	-
Pipe outlet diameter (mm)	150 / 120	150 / 120
Min. distance above an electric hob / gas hob <sup>5</sup> (mm)	550 / 650	550 / 650
GB plug	●	
Energy Rating	D	
<b>OPTIONAL ACCESSORIES<sup>6</sup></b>		
CleanAir Standard Recirculation Kit	DWZ1DX114	DWZ1DX114
CleanAir Plus Integrated Recirculation Kit	DWZ1DX116	DWZ1DX116

<sup>1</sup>Power automatically reverts back to normal setting after intensive.

<sup>2</sup>Air Flow and noise declarations made in line with CECEC Code of Conduct.

<sup>3</sup>Measured according to EN61591 on largest pipe diameter.

<sup>4</sup>Sound power measured according to EN60704-3 on largest pipe diameter.

<sup>5</sup>From top of pan supports.

<sup>6</sup>A type of recirculating kit is required if recirculating. Depending on the model, a 'Recirculating odour filter kit' will consist of the following items: Charcoal filter, flexible hose, air duct, fixing components, installation instructions.

# Box chimney hoods



HOOD TYPE	BOX CHIMNEY	BOX CHIMNEY	BOX CHIMNEY
DESIGN FAMILY	SERIES 4	SERIES 4	SERIES 2
MODEL	DWB96DM50B	DWB66DM50B	DWB96BC60B
Colour	Brushed Steel	Brushed Steel	Black
<b>KEY FEATURES</b>			
PerfectAir Sensor	-	-	-
Home Connect	-	-	-
Hob Hood Control	-	-	-
EcoSilence Drive Motor	-	-	-
Intensive setting / Automatic intensive revert <sup>1</sup>	●	●	●
Filter saturation indicators	-	-	-
<b>ADDITIONAL PROGRAMMES / FUNCTIONS</b>			
Type of control	Touch control	Touch control	Touch control
Power levels	3 + 1 intensive	3 + 1 intensive	3 + 1 intensive
Electronic power level display	●	●	●
Lighting	2 x LED lights	2 x LED lights	2 x LED lights
Softlight with dimmer function	-	-	-
Number of metal grease filter cassettes	3	2	3
Suitable for ducted operation / recirculating	●	●	●
<b>PERFORMANCE / TECHNICAL INFORMATION</b>			
Appliance width (mm)	900	600	900
<b>EXTRACTION RATE IN M<sup>3</sup>/H<sup>(2,3)</sup></b>			
- Ducted / recirculating at power level 1	222 / 147	238 / 150	248 / 172
- Ducted / recirculating at power level 2	293 / 228	302 / 220	314 / 246
- Ducted / recirculating at power level 3	372 / 337	368 / 337	619 / 359
- Ducted / recirculating at power level 4 or intensive level 1	604 / 441	605 / 441	-
- Ducted / recirculating, intensive setting or intensive level 2	-	-	-
<b>NOISE LEVEL (SOUND POWER) BASED ON DB(A) RE 1 PW<sup>(2,4)</sup></b>			
- Ducted / recirculating at power level 1	48 / 57	48 / 57	49 / 59
- Ducted / recirculating at power level 2	54 / 66	54 / 66	55 / 67
- Ducted / recirculating at power level 3	60 / 71	60 / 71	70 / 75
- Ducted / recirculating at power level 4 or intensive level 1	70 / 75	69 / 75	-
- Ducted / recirculating, intensive setting or intensive level 2	-	-	-
Pipe outlet diameter (mm)	150 / 120	150 / 120	150 / 120
Min. distance above an electric hob / gas hob <sup>5</sup> (mm)	550 / 650	550 / 650	550 / 650
GB plug	●		
Energy Rating	B		
<b>OPTIONAL ACCESSORIES<sup>6</sup></b>			
Standard Recirculation Kit	DWZ1DX114	DWZ1DX114	DWZ1DX114
CleanAir Plus Anti-Pollen Integrated Recirculation Kit	DWZ1DX116	DWZ1DX116	DWZ1DX116

<sup>1</sup>Power automatically reverts back to normal setting after intensive.

<sup>2</sup>Air Flow and noise declarations made in line with CECEC Code of Conduct.

<sup>3</sup>Measured according to EN61591 on largest pipe diameter.

<sup>4</sup>Sound power measured according to EN60704-3 on largest pipe diameter.

<sup>5</sup>From top of pan supports.

<sup>6</sup>A type of recirculating kit is required if recirculating. Depending on the model, a 'Recirculating odour filter kit' will consist of the following items: Charcoal filter, flexible hose, air duct, fixing components, installation instructions.

# Box chimney hoods



HOOD TYPE	BOX CHIMNEY	BOX CHIMNEY	BOX CHIMNEY
DESIGN FAMILY	SERIES 2	SERIES 2	SERIES 2
MODEL	DWB66BC60B	DWB94BC50B	DWB64BC50B
Colour	Black	Brushed Steel	Brushed Steel
<b>KEY FEATURES</b>			
PerfectAir Sensor	-	-	-
Home Connect	-	-	-
Hob Hood Control	-	-	-
EcoSilence Drive Motor	-	-	-
Intensive setting / Automatic intensive revert <sup>1</sup>	●	●	●
Filter saturation indicators	-	-	-
<b>ADDITIONAL PROGRAMMES / FUNCTIONS</b>			
Type of control	Push button control	Push button control	Push button control
Power levels	3 + 1 intensive	3 + 1 intensive	3 + 1 intensive
Electronic power level display	●	-	-
Lighting	2 x LED lights	2 x LED lights	2 x LED lights
Softlight with dimmer function	-	-	-
Number of metal grease filter cassettes	2	3	2
Suitable for ducted operation / recirculating	●	●	●
<b>PERFORMANCE / TECHNICAL INFORMATION</b>			
Appliance width (mm)	600	900	600
<b>EXTRACTION RATE IN M<sup>3</sup>/H <sup>(2,3)</sup></b>			
- Ducted / recirculating at power level 1	242 / 163	198 / 120	198 / 122
- Ducted / recirculating at power level 2	303 / 242	263 / 162	263 / 165
- Ducted / recirculating at power level 3	621 / 367	365 / 240	365 / 240
- Ducted / recirculating at power level 4 or intensive level 1	-	-	-
- Ducted / recirculating, intensive setting or intensive level 2	-	-	-
<b>NOISE LEVEL (SOUND POWER) BASED ON DB(A) RE 1 PW <sup>(2,4)</sup></b>			
- Ducted / recirculating at power level 1	48 / 57	49 / 55	49 / 56
- Ducted / recirculating at power level 2	54 / 66	57 / 61	57 / 61
- Ducted / recirculating at power level 3	69 / 75	64 / 65	63 / 65
- Ducted / recirculating at power level 4 or intensive level 1	-	-	-
- Ducted / recirculating, intensive setting or intensive level 2	-	-	-
Pipe outlet diameter (mm)	150 / 120	150 / 120	150 / 120
Min. distance above an electric hob / gas hob <sup>5</sup> (mm)	550 / 650	550 / 650	550 / 650
GB plug	●	●	●
Energy Rating	B	D	D
<b>OPTIONAL ACCESSORIES <sup>6</sup></b>			
CleanAir Standard Recirculation Kit	DWZ1DX114	DWZ1DX114	DWZ1DX114
CleanAir Plus Anti-Pollen Integrated Recirculation Kit	DWZ1DX116	DWZ1DX116	DWZ1DX116

<sup>1</sup> Power automatically reverts back to normal setting after intensive.

<sup>2</sup> Air Flow and noise declarations made in line with CECEC Code of Conduct.

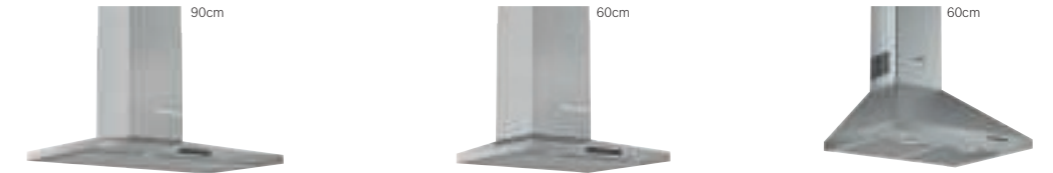
<sup>3</sup> Measured according to EN61591 on largest pipe diameter.

<sup>4</sup> Sound power measured according to EN60704-3 on largest pipe diameter.

<sup>5</sup> From top of pan supports.

<sup>6</sup> A type of recirculating kit is required if recirculating. Depending on the model, a 'Recirculating odour filter kit' will consist of the following items: Charcoal filter, flexible hose, air duct, fixing components, installation instructions.

# Pyramid chimney hoods



HOOD TYPE	SLIM PYRAMID CHIMNEY	SLIM PYRAMID CHIMNEY	PYRAMID CHIMNEY
DESIGN FAMILY	SERIES 4	SERIES 4	SERIES 2
MODEL/WIDTH	DWQ96DM50B/90CM	DWQ66DM50B/60CM	DWP64CC50M/60CM
Colour	Brushed Steel	Brushed Steel	Brushed Steel
<b>KEY FEATURES</b>			
PerfectAir Sensor	-	-	-
Home Connect	-	-	-
Hob Hood Control	-	-	-
EcoSilence Drive Motor	-	-	-
Intensive setting / Automatic intensive revert <sup>1</sup>	●	●	●
Filter saturation indicators	-	-	-
<b>ADDITIONAL PROGRAMMES / FUNCTIONS</b>			
Type of control	Touch control	Touch control	Push button control
Power levels	3 + 1 intensive	3 + 1 intensive	3
Electronic power level display	●	●	●
Lighting	2 x LED lights	2 x LED lights	2 x LED lights
Softlight with dimmer function	-	-	-
Number of metal grease filter cassettes	3	2	2
Suitable for ducted operation / recirculating	●	●	●
<b>PERFORMANCE / TECHNICAL INFORMATION</b>			
Appliance width (mm)	900	600	600
<b>EXTRACTION RATE IN M<sup>3</sup>/H <sup>(2,3)</sup></b>			
- Ducted / recirculating at power level 1	247 / 171	258 / 181	240 / 140
- Ducted / recirculating at power level 2	316 / 248	328 / 257	290 / 195
- Ducted / recirculating at power level 3	389 / 337	410 / 337	380 / 235
- Ducted / recirculating at power level 4 or intensive level 1	642 / 441	644 / 441	-
- Ducted / recirculating, intensive setting or intensive level 2	-	-	-
<b>NOISE LEVEL (SOUND POWER) BASED ON DB(A) RE 1 PW <sup>(2,4)</sup></b>			
- Ducted / recirculating at power level 1	48 / 58	50 / 60	53 / 58
- Ducted / recirculating at power level 2	55 / 66	56 / 68	57 / 65
- Ducted / recirculating at power level 3	61 / 70	62 / 70	64 / 70
- Ducted / recirculating at power level 4 or intensive level 1	70 / 74	70 / 74	-
- Ducted / recirculating, intensive setting or intensive level 2	-	-	-
Pipe outlet diameter (mm)	150 / 120	150 / 120	150 / 120
Min. distance above an electric hob / gas hob <sup>5</sup> (mm)	550 / 650	550 / 650	550 / 650
GB plug	●	●	●
Energy Rating	A	A	D
<b>OPTIONAL ACCESSORIES <sup>6</sup></b>			
CleanAir Standard Recirculation Kit	DWZ1DX114	DWZ1DX114	DWZ1DX114
CleanAir Plus Anti-Pollen Integrated Recirculation Kit	DWZ1DX116	DWZ1DX116	DWZ1DX116

<sup>1</sup> Power automatically reverts back to normal setting after intensive.

<sup>2</sup> Air Flow and noise declarations made in line with CECEC Code of Conduct.

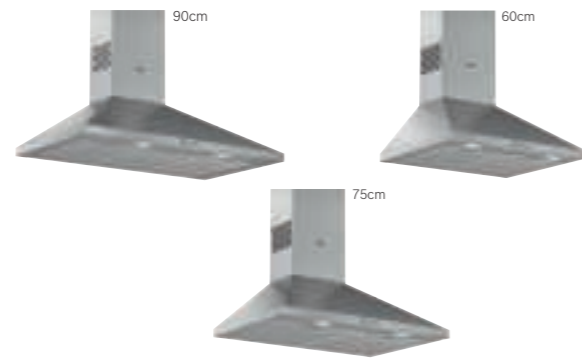
<sup>3</sup> Measured according to EN61591 on largest pipe diameter.

<sup>4</sup> Sound power measured according to EN60704-3 on largest pipe diameter.

<sup>5</sup> From top of pan supports.

<sup>6</sup> A type of recirculating kit is required if recirculating. Depending on the model, a 'Recirculating odour filter kit' will consist of the following items: Charcoal filter, flexible hose, air duct, fixing components, installation instructions.

# Pyramid chimney hoods



HOOD TYPE	PYRAMID CHIMNEY		
DESIGN FAMILY	SERIES 2		
MODEL/WIDTH	DWP94BC50B/90CM DWP74BC50B/75CM DWP64BC50B/60CM		
Colour	Brushed Steel		
<b>KEY FEATURES</b>			
PerfectAir Sensor	-		
Home Connect	-		
Hob Hood Control	-		
EcoSilence Drive Motor	-		
Intensive setting / Automatic intensive revert <sup>1</sup>	-		
Filter saturation indicators	-		
<b>ADDITIONAL PROGRAMMES / FUNCTIONS</b>			
Type of control	Push button control	Push button control	Push button control
Power levels	3	3	3
Electronic power level display	-	-	-
Lighting	2 x LED lights	2 x LED lights	2 x LED lights
Softlight with dimmer function	-	-	-
Number of metal grease filter cassettes	3	2	2
Suitable for ducted operation / recirculating	●	●	●
<b>PERFORMANCE / TECHNICAL INFORMATION</b>			
Appliance width (mm)	900	750	600
<b>EXTRACTION RATE IN M<sup>3</sup>/H <sup>(2,3)</sup></b>			
- Ducted / recirculating at power level 1	198 / 129	198 / 129	198 / 127
- Ducted / recirculating at power level 2	263 / 174	263 / 174	263 / 171
- Ducted / recirculating at power level 3	365 / 213	365 / 213	365 / 211
- Ducted / recirculating at power level 4 or intensive level 1	-	-	-
- Ducted / recirculating, intensive setting or intensive level 2	-	-	-
<b>NOISE LEVEL (SOUND POWER) BASED ON DB(A) RE 1 PW <sup>(2,4)</sup></b>			
- Ducted / recirculating at power level 1	50 / 56	50 / 56	50 / 55
- Ducted / recirculating at power level 2	57 / 62	57 / 62	58 / 62
- Ducted / recirculating at power level 3	65 / 67	65 / 67	66 / 67
- Ducted / recirculating at power level 4 or intensive level 1	-	-	-
- Ducted / recirculating, intensive setting or intensive level 2	-	-	-
Pipe outlet diameter (mm)	150 / 120	150 / 120	150 / 120
Min. distance above an electric hob / gas hob <sup>5</sup> (mm)	550 / 650	550 / 650	550 / 650
GB plug	●	●	●
Energy Rating	D	D	D
<b>OPTIONAL ACCESSORIES <sup>6</sup></b>			
Standard Recirculation Kit	DHZ5275	DHZ5275	DHZ5275
CleanAir Plus Anti-Pollen Integrated Recirculation Kit	-	-	-

<sup>1</sup> Power automatically reverts back to normal setting after intensive.

<sup>2</sup> Air Flow and noise declarations made in line with CECEC Code of Conduct.

<sup>3</sup> Measured according to EN61591 on largest pipe diameter.

<sup>4</sup> Sound power measured according to EN60704-3 on largest pipe diameter.

<sup>5</sup> From top of pan supports.

<sup>6</sup> A type of recirculating kit is required if recirculating. Depending on the model, a 'Recirculating odour filter kit' will consist of the following items: Charcoal filter, flexible hose, air duct, fixing components, installation instructions.

# Canopy hoods



HOOD TYPE	CANOPY	CANOPY	CANOPY
DESIGN FAMILY	SERIES 6	SERIES 6	SERIES 2
MODEL	DHL785CGB	DHL575CGB	DLN53AA70B
Colour	Brushed Steel	Brushed Steel	Metallic Silver
<b>KEY FEATURES</b>			
PerfectAir Sensor	-	-	-
Home Connect	-	-	-
Hob Hood Control	-	-	-
EcoSilence Drive Motor	-	-	-
Intensive setting / Automatic intensive revert <sup>1</sup>	●	●	-
Filter saturation indicators	-	-	-
<b>ADDITIONAL PROGRAMMES / FUNCTIONS</b>			
Type of control	Push Button Control	Push Button Control	Slider Switch Control
Power levels	3 + 1 intensive	3 + 1 intensive	3
Electronic power level display	-	-	-
Lighting	2 x LED lights	2 x LED lights	2 x LED lights
Softlight with dimmer function	-	-	-
Number of metal grease filter cassettes	2	1	1
Furniture door required	●	●	●
Suitable for ducted operation / recirculating	●	●	●
<b>PERFORMANCE / TECHNICAL INFORMATION</b>			
Appliance width (mm)	700	520	534
<b>EXTRACTION RATE IN M<sup>3</sup>/H <sup>(2,3)</sup></b>			
- Ducted / recirculating at power level 1	345 / 210	295 / 210	130 / 110
- Ducted / recirculating at power level 2	540 / 270	450 / 260	160 / 160
- Ducted / recirculating at power level 3	630 / 571	560 / 533	302 / 300
- Ducted / recirculating at power level 4 or intensive level 1	730 / 664	615 / 581	-
- Ducted / recirculating, intensive setting or intensive level 2	-	-	-
<b>NOISE LEVEL (SOUND POWER) BASED ON DB(A) RE 1 PW <sup>(2,4)</sup></b>			
- Ducted / recirculating at power level 1	53 / 67	50 / 66	46 / 49
- Ducted / recirculating at power level 2	63 / 71	63 / 71	50 / 53
- Ducted / recirculating at power level 3	66 / 73	67 / 74	62 / 65
- Ducted / recirculating at power level 4 or intensive level 1	69 / 74	70 / 75	-
- Ducted / recirculating, intensive setting or intensive level 2	-	-	-
Pipe outlet diameter (mm)	150 / 120	150 / 120	120
Min. distance above an electric hob / gas hob <sup>5</sup> (mm)	500 / 650	500 / 650	550 / 650
GB plug	●	●	●
Energy Rating	C	C	D
<b>OPTIONAL ACCESSORIES <sup>6</sup></b>			
Standard Recirculation Filter / Kit	DHZ5605	DHZ5605	DWZ0INOTO
CleanAir Plus Anti-Pollen Recirculation Kit	DWZ1IX1C6	DWZ1IX1C6	-
Long Life Regenerative Recirculation Kit	DWZ1IT1D1	DWZ1IT1D1	-

<sup>1</sup> Power automatically reverts back to normal setting after intensive.

<sup>2</sup> Air Flow and noise declarations made in line with CECEC Code of Conduct.

<sup>3</sup> Measured according to EN61591 on largest pipe diameter.

<sup>4</sup> Sound power measured according to EN60704-3 on largest pipe diameter.

<sup>5</sup> From top of pan supports.

<sup>6</sup> A type of recirculating kit is required if recirculating. Depending on the model, a 'Recirculating odour filter kit' will consist of the following items: Charcoal filter, flexible hose, air duct, fixing components, installation instructions.



# Telescopic hoods

Our telescopic hoods with logo design handle and stainless steel filter covers, also have improved installation.



HOOD TYPE	TELESCOPIC	TELESCOPIC	TELESCOPIC
DESIGN FAMILY	SERIES 4	SERIES 4	SERIES 2
MODEL	DFS097A51B	DFS067A51B	DFM063W56B
Colour	Metallic Silver	Metallic Silver	Metallic Silver
<b>KEY FEATURES</b>			
PerfectAir Sensor	-	-	-
Home Connect	-	-	-
Hob Hood Control	-	-	-
EcoSilence Drive Motor	●	●	-
Intensive setting / Automatic intensive revert <sup>1</sup>	●	●	-
Filter saturation indicators	-	-	-
<b>ADDITIONAL PROGRAMMES / FUNCTIONS</b>			
Type of control	Push Button Control	Push Button Control	Rocker Switch Control
Power levels	3 + 1 intensive	3 + 1 intensive	3
Electronic power level display	-	-	-
Lighting	3 x LED lights	2 x LED lights	2 x LED lights
Softlight with dimmer function	-	-	-
Number of metal grease filter cassettes	3	2	2
Furniture door required	●	●	●
Suitable for ducted operation / recirculating	●	●	●
<b>PERFORMANCE / TECHNICAL INFORMATION</b>			
Appliance width (mm)	898	598	598
<b>EXTRACTION RATE IN M<sup>3</sup>/H <sup>(2,3)</sup></b>			
- Ducted / recirculating at power level 1	210 / 171	211 / 171	255 / 199
- Ducted / recirculating at power level 2	314 / 265	316 / 265	328 / 231
- Ducted / recirculating at power level 3	397 / 346	399 / 346	-
- Ducted / recirculating at power level 4 or intensive level 1	729 / 628	728 / 628	-
- Ducted / recirculating, intensive setting or intensive level 2	-	-	-
<b>NOISE LEVEL (SOUND POWER) BASED ON DB(A) RE 1 PW <sup>(2,4)</sup></b>			
- Ducted / recirculating at power level 1	41 / 43	41 / 43	58 / 64
- Ducted / recirculating at power level 2	49 / 54	49 / 54	64 / 68
- Ducted / recirculating at power level 3	53 / 61	53 / 61	-
- Ducted / recirculating at power level 4 or intensive level 1	69 / 72	68 / 72	-
- Ducted / recirculating, intensive setting or intensive level 2	-	-	-
Pipe outlet diameter (mm)	150 / 120	150 / 120	150 / 120
Min. distance above an electric hob / gas hob <sup>5</sup> (mm)	430 / 650	430 / 650	430 / 650
GB plug	●	●	●
Energy Rating	A	A	C
<b>OPTIONAL ACCESSORIES <sup>6</sup></b>			
CleanAir Standard Recirculation Kit	DWZ21T114	DWZ21T114	DWZ11T114
CleanAir Plus Anti-Pollen Recirculation Kit	DWZ11X1C6	DWZ11X1C6	-
Long Life Regenerative Recirculation Kit	DWZ11T1D1	DWZ11T1D1	-
Replacement CleanAir Plus Anti-Pollen Filter	DWZ11X1B6	DWZ11X1B6	-
Telescopic Hood Installation Kit for 90cm Wall Unit	DSZ4920	-	-

<sup>1</sup>Power automatically reverts back to normal setting after intensive.

<sup>2</sup>Air Flow and noise declarations made in line with CECEC Code of Conduct.

<sup>3</sup>Measured according to EN61591 on largest pipe diameter.

<sup>4</sup>Sound power measured according to EN60704-3 on largest pipe diameter.

<sup>5</sup>From top of pan supports.

<sup>6</sup>A type of recirculating kit is required if recirculating. Depending on the model, a 'Recirculating odour filter kit' will consist of the following items: Charcoal filter, flexible hose, air duct, fixing components, installation instructions.

# Integrated design hoods



HOOD TYPE	INTEGRATED
DESIGN FAMILY	SERIES 6
MODEL/WIDTH	DBB97AM60B/90CM DBB67AM60B/60CM
Colour	Black body with Bosch Clip design fold out glass
<b>KEY FEATURES</b>	
PerfectAir Sensor	-
Home Connect	-
Hob Hood Control	-
EcoSilence Drive Motor	-
Intensive setting / Automatic intensive revert <sup>1</sup>	●
Filter saturation indicators	-
<b>ADDITIONAL PROGRAMMES / FUNCTIONS</b>	
Type of control	Touch Control
Power levels	3 + 1 intensive
Electronic power level display	●
Lighting	2 x LED lights
Softlight with dimmer function	●
Number of metal grease filter cassettes	2
Furniture door required	●
Suitable for ducted operation / recirculating	●
<b>PERFORMANCE / TECHNICAL INFORMATION</b>	
Appliance width (mm)	897 / 597
<b>EXTRACTION RATE IN M<sup>3</sup>/H <sup>(2,3)</sup></b>	
- Ducted / recirculating at power level 1	265 / 227
- Ducted / recirculating at power level 2	355 / 319
- Ducted / recirculating at power level 3	460 / 396
- Ducted / recirculating at power level 4 or intensive level 1	749 / 496
- Ducted / recirculating, intensive setting or intensive level 2	-
<b>NOISE LEVEL (SOUND POWER) BASED ON DB(A) RE 1 PW <sup>(2,4)</sup></b>	
- Ducted / recirculating at power level 1	50 / 59
- Ducted / recirculating at power level 2	57 / 67
- Ducted / recirculating at power level 3	63 / 72
- Ducted / recirculating at power level 4 or intensive level 1	73 / 77
- Ducted / recirculating, intensive setting or intensive level 2	71 / 77
Pipe outlet diameter (mm)	120 / 150
Min. distance above an electric hob / gas hob <sup>5</sup> (mm)	430 / 650
GB plug	●
Energy Rating	A
<b>OPTIONAL ACCESSORIES <sup>6</sup></b>	
Long Life Regenerative Recirculation Kit	DWZ11T1D1
Clean Air Standard Recirculation Kit	DWZ61B114
Chimney Extension 450-854mm	DWZ11B6K1
Chimney Extension 187-360mm	DWZ11B6N1
Clean Air Plus recirculation kit	DWZ11X1C6

<sup>1</sup>Power automatically reverts back to normal setting after intensive.

<sup>2</sup>Air Flow and noise declarations made in line with CECEC Code of Conduct.

<sup>3</sup>Measured according to EN61591 on largest pipe diameter.

<sup>4</sup>Sound power measured according to EN60704-3 on largest pipe diameter.

<sup>5</sup>From top of pan supports.

<sup>6</sup>A type of recirculating kit is required if recirculating. Depending on the model, a 'Recirculating odour filter kit' will consist of the following items: Charcoal filter, flexible hose, air duct, fixing components, installation instructions.

Integrated and built-under hoods are a great solution when working with a small space. Both sit under kitchen cabinets and blend seamlessly into any kitchen.



HOOD TYPE	INTEGRATED	INTEGRATED	BUILT-UNDER
DESIGN FAMILY	SERIES 2	SERIES 2	SERIES 2
MODEL	DEM66AC00B	DEM63AC00B	DUL63CC50B
Colour	Metallic Silver Lacquered	Metallic Silver Lacquered	Brushed Steel
<b>KEY FEATURES</b>			
PerfectAir Sensor	-	-	-
Home Connect	-	-	-
Hob Hood Control	-	-	-
Eco Silence Drive Motor	-	-	-
Intensive setting / Automatic intensive revert <sup>1</sup>	-	-	-
Filter saturation indicators	-	-	-
<b>ADDITIONAL PROGRAMMES / FUNCTIONS</b>			
Type of control	Push Button Control	Push Button Control	Push Button Control
Power levels	3	3	3
Electronic power level display	-	-	-
Lighting	2 x LED lights	2 x LED lights	2 x LED lights
Softlight with dimmer function	-	-	-
Number of metal grease filter cassettes	2	2	2
Furniture door required	●	●	-
Suitable for ducted operation / recirculating	●	●	●
<b>PERFORMANCE / TECHNICAL INFORMATION</b>			
Appliance width (mm)	599	599	600
<b>EXTRACTION RATE IN M<sup>3</sup>/H<sup>(2,3)</sup></b>			
- Ducted / recirculating at power level 1	256 / 208	240 / 224	175 / 70
- Ducted / recirculating at power level 2	352 / 320	288 / 256	260 / 90
- Ducted / recirculating at power level 3	625 / 416	368 / 272	350 / 110
- Ducted / recirculating at power level 4 or intensive level 1	-	-	-
- Ducted / recirculating, intensive setting or intensive level 2	-	-	-
<b>NOISE LEVEL (SOUND POWER) BASED ON DB(A) RE 1 PW<sup>(2,4)</sup></b>			
- Ducted / recirculating at power level 1	49 / 57	52 / 64	56 / 66
- Ducted / recirculating at power level 2	56 / 68	56 / 67	65 / 73
- Ducted / recirculating at power level 3	70 / 75	62 / 68	72 / 77
- Ducted / recirculating at power level 4 or intensive level 1	-	-	-
- Ducted / recirculating, intensive setting or intensive level 2	-	-	-
Pipe outlet diameter (mm)	150 / 120	150 / 120	100 / 120
Min. distance above an electric hob / gas hob <sup>5</sup> (mm)	500 / 650	500 / 650	650 / 650
GB plug	●	●	●
Energy Rating	B	D	D
<b>OPTIONAL ACCESSORIES<sup>6</sup></b>			
Standard Recirculation Kit	DWZ0M0A0	DWZ0M0A0	DHZ2701

<sup>1</sup>Power automatically reverts back to normal setting after intensive.  
<sup>2</sup>Air Flow and noise declarations made in line with CECEC Code of Conduct.  
<sup>3</sup>Measured according to EN61591 on largest pipe diameter.  
<sup>4</sup>Sound power measured according to EN60704-3 on largest pipe diameter.  
<sup>5</sup>From top of pan supports.  
<sup>6</sup>A type of recirculating kit is required if recirculating. Depending on the model, a 'Recirculating odour filter kit' will consist of the following items: Charcoal filter, flexible hose, air duct, fixing components, installation instructions.

All models comply with COMMISSION REGULATION (EC) No 1275/2008 with regard to ecodesign requirements for standby and off mode electric power consumption.

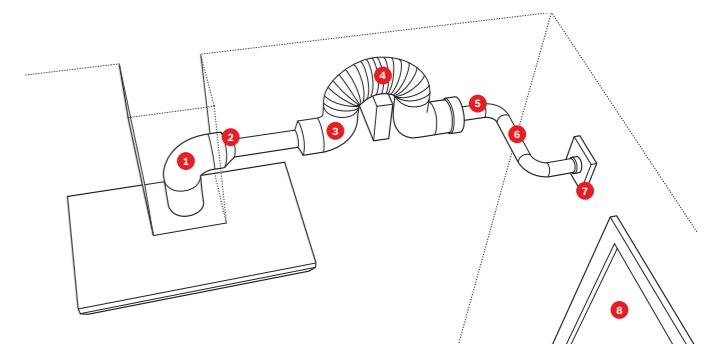
## Ducted or recirculation mode?

### Ducted extraction

Ducting out is the most effective method of extraction if the hood can be sited on an outside wall, or an outside wall can be reached via ducting. The main difference between ducted and recirculation cooker hoods is that ducted systems can extract steam and odours, as well as grease. All our extractors are now standardised to a 150mm diameter outlet for easier installation. Use of 120/125mm diameter ducting is also possible, but will result in reduced air flow and increased noise. Use of 100mm diameter ducting is not recommended.

#### The following points should be observed for optimum ducted extraction results:

1. Ensure any pipe elbow bends are at least 30cm from the hood ducting opening.
2. Avoid reducing the diameter or area of the ducting.
3. Use wide-angled pipe elbows, but keep the number used to a minimum.
4. Only install pipes with smooth, even inner surfaces. If a flexible hose has to be used, ensure it is pulled tight to smooth out the ridges before fixing.
5. Avoid reducing the diameter or area of the ducting.
6. Use ducting pipes with a diameter of at least 120mm, but ideally 150mm.
7. Keep piping to a minimum – use the most direct route to external outlet.
8. Make sure that there is an adequate supply of fresh air to replace the air ducted out of the kitchen i.e. windows that can be opened, doors to adjacent rooms, air bricks.



Problems with installation may occur if points 1 to 8 are not observed.

### Recirculation kit

Cooker hoods with recirculation are energy-efficient and much easier to install. Air is passed through the metal filter to extract the grease and then through a special charcoal filter, which removes odours and in high performance **Clean Air Plus filters** also removes over 99% of pollen\*. The purified air is then returned to the room. As no ducting openings are necessary, this is an energy-efficient method of extraction as no energy can escape (i.e. cool air in the summer or warm air in the winter), making it a good choice for low energy houses. The kit contains all you need to set the hood up for recirculation and installation is relatively easy. Check each model for details on the appropriate recirculation kit accessory.

\*Ambrosia-Pollen following test procedure ISO/TS 11155-1.



#### Tips and hints

1. Calculate the extraction capacity needed.
2. Choose a hood with at least the same width of your hob.
3. Ensure efficient pipe ducting installation.
4. As a guide the hood should be installed at a minimum of 65cm above a gas hob or 55cm above an electric hob.
5. To effectively remove cooking odours from your kitchen, switch the hood on 5-10 minutes prior to cooking.
6. Leave the hood to run at a low setting after cooking has finished for 5-10 minutes to remove any lingering odours. Or simply select the Automatic After Running function, which enables the hood to continue running at a low speed for 10 minutes before automatically turning itself off (available on selected models).
7. Regularly clean metal grease filters to ensure optimum extraction performance. All of our metal grease filters, brushed steel filters and rim ventilation filters are dishwasher-proof.
8. Choosing the correct extractor. As a guideline, the air in the room should be changed 6-12 times per hour. Calculate the floor area in square metres and multiply by the height of the room in metres. Then divide the maximum extraction rate of your chosen hood by the figure calculated above. The resulting figure should be at least 7, but preferably as close to 12 as possible.

#### Example

Kitchen (H x W x D) metres 2.1 x 4.5 x 4.2 = 39.7m<sup>3</sup>.  
 Assume a maximum of 12 air changes per hour – multiply 39.7m<sup>3</sup> by 12 = 476m<sup>3</sup>/h. Choose a hood capable of extracting at least this amount of air per hour – e.g. DWB96DM50B (max ducted extraction rate intensive 580m<sup>3</sup> per hour).

Making **life easy** through innovative technologies

## Installation tips

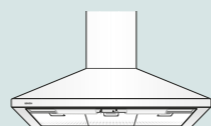
### Hoods

#### Keep air fresh and free of cooking smells

Extractor hoods are an integral part of a clean and fresh working kitchen environment. Not only do Bosch extractor hoods look good and add a professional touch to your kitchen, they also deal quietly and efficiently with the key tasks of eliminating unwanted odours and removing grease and moisture from the kitchen.

#### Chimney extractor hoods

Choose between wall-mounted models or an island version to create a striking focal point in the kitchen. Some models are further enhanced by glass canopies. Available in the following sizes: 60, 75, and 90cm wide.

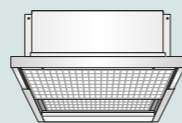


#### Chimney extractor easy mounting system

Installing your new cooker hood in the kitchen is quick and straightforward with the patented easy mounting system. The self-levelling fixing rings allow you to precision adjust the horizontal position of the hood by up to a 6mm radius.

#### Telescopic extractor

Ideal where an unobtrusive extractor is required. Built into a wall cabinet above the hob, it can be extended when in use, and retracted when not. Use the special handle profile accessory, or if you prefer, a matching pelmet from your kitchen supplier. Available in the following sizes: 60 or 90cm wide.



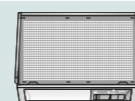
#### Built-under extractor hoods

Ideal where space is at a premium, these 14cm tall extractors can be mounted directly to the wall or suspended beneath a reduced height wall cupboard. 60cm wide.



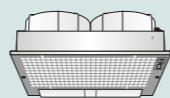
#### Integrated extractor hoods

Integrated extractor hoods are designed to be mounted between two cabinets with a matching furniture door affixed to the front.



#### Canopy extractor hoods

Designed to fit discreetly into the base of a wall cupboard, or specially designed furniture canopy with operation from below.

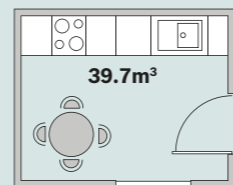


#### Choosing the correct extractor

As a guideline, the air in the room should be changed six to twelve times per hour. Calculate the floor area in square metres and multiply by the height of the room in metres. Then divide the maximum extraction rate of your chosen hood by the figure calculated above. The resulting figure should be at least seven, but preferably as close to twelve as possible.

#### Example

Kitchen (H x W x D) metres 2.1 x 4.5 x 4.2 = 39.7m<sup>3</sup>.  
Assume a maximum of 12 air changes per hour – multiply 39.7m<sup>3</sup> by 12 = 476m<sup>3</sup>/h.  
Choose a hood capable of extracting at least this amount of air per hour – e.g. DWB96DM50B (max ducted extraction rate intensive 580m<sup>3</sup> per hour).



12 x 39.7m<sup>3</sup> = 476m<sup>3</sup>/h

To avoid excessive noise, try to select a model which meets the above requirements on an intermediate speed, rather than at the highest speed.

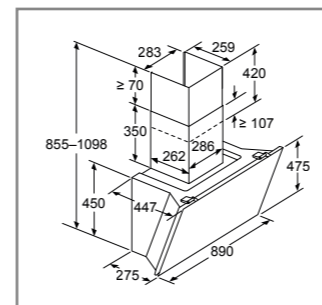
### Quick checklist

#### Type of hood

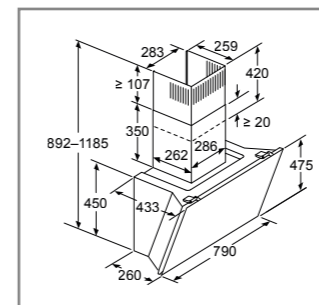
- Chimney
- Telescopic
- Conventional
- Integrated
- Canopy
- Ceiling
- Ducted
- Re-circulated
- Width of hood
- Size of kitchen
- Required extraction rate

## Hoods technical diagrams

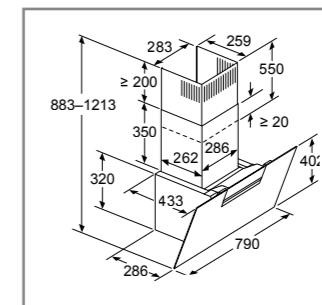
### Angled glass and ceiling hoods



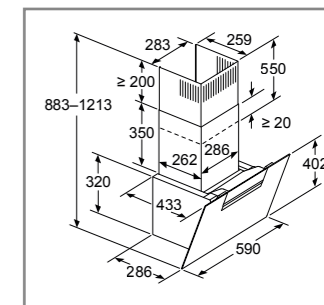
DWK91LT60B



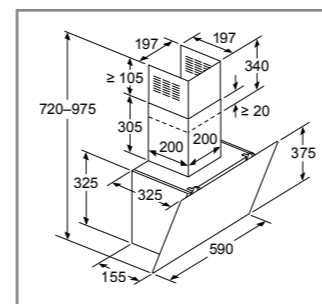
DWK81AN60B



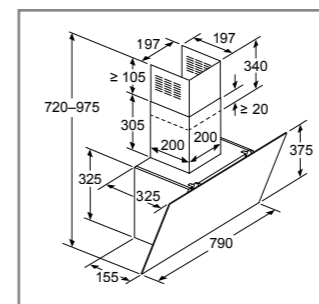
DWK87FN60B



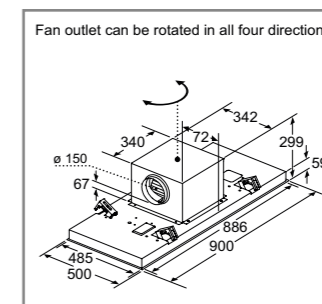
DWK67FN60B



DWK65DK60B

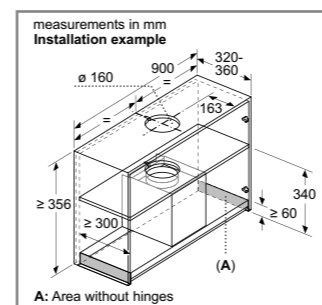


DWK85DK60B

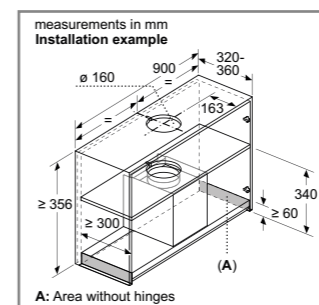


DRC97AQ50B

### Integrated hoods

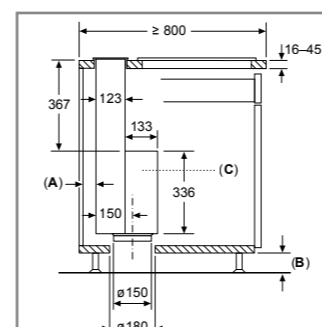


DBB97AM60B

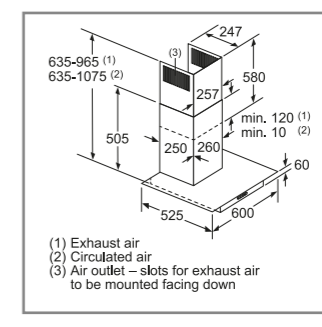


DBB67AM60B

### Glass draft and chimney hoods



DWG94BC50B



DWG64BC50B

Standard: with worktop divider between downdraft and hob  
A: ≥ 20 mm between the Guided Air suction area and a cabinet wall  
B: ≥ 60 mm for air recirculation  
≥ 100 mm for air extraction with ducting in the plinth  
C: Motor unit must always be accessible

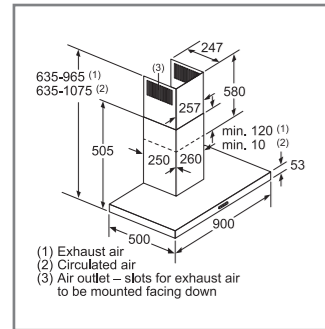
All diagram measurements are in millimetres (mm)

We try to keep up to date with constant technological improvements, so from time to time we may update installation guidelines. Therefore we strongly recommend that you download the latest installation guidelines from [www.bosch-home.co.uk](http://www.bosch-home.co.uk). Line drawings are for guidance only, and we recommend that you refer to the latest installation guidelines. Though every care is taken to ensure instructions are correct at the time of printing, Bosch cannot accept responsibility for incorrect planning or installation as a result of the use of these line drawings.

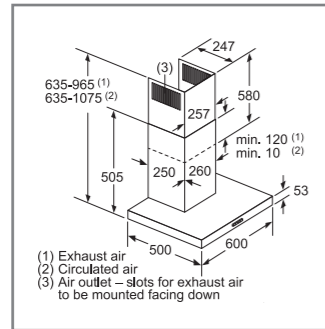
DDW88MM60B

## Hoods technical diagrams

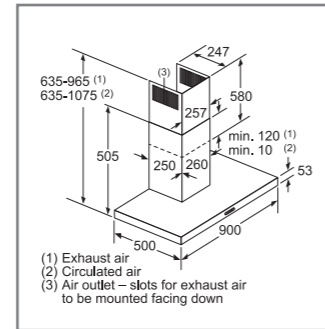
### Box chimney & Slim pyramid hoods



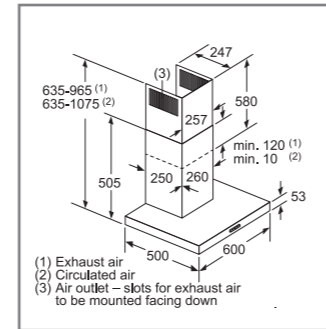
DWB96DM50B



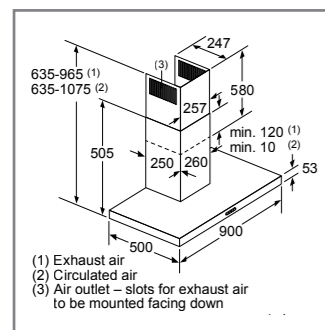
DWB66DM50B



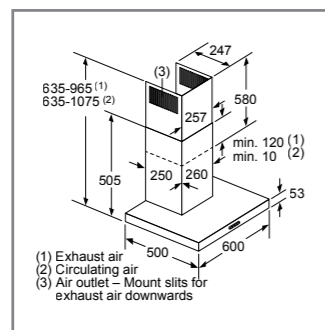
DWB94BC50B



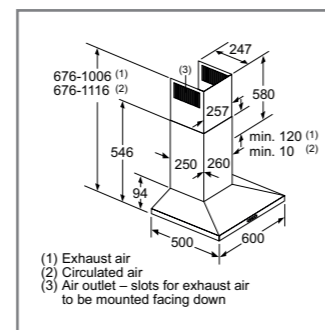
DWB64BC50B



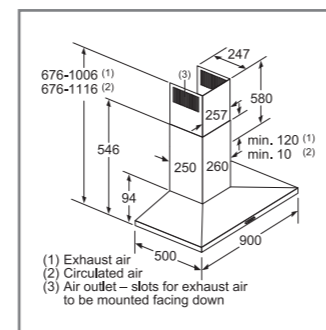
DWB96BC60B



DWB66BC60B

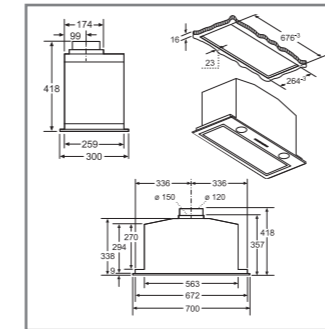


DWQ66DM50B

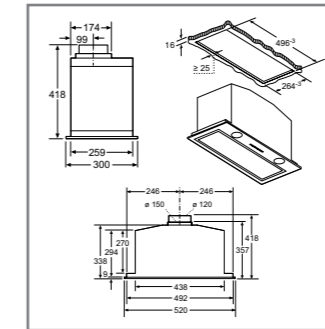


DWQ96DM50B

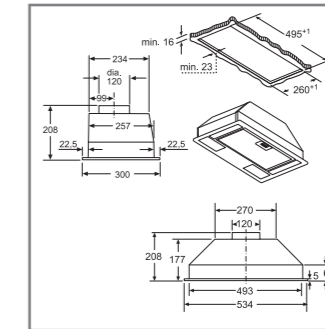
### Canopy, Telescopic, Integrated and Built-under hoods



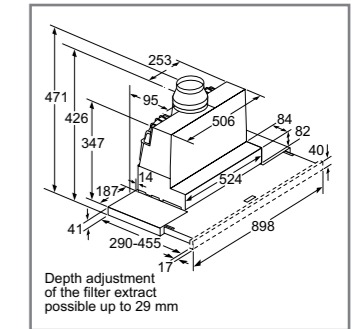
DHL785CGB



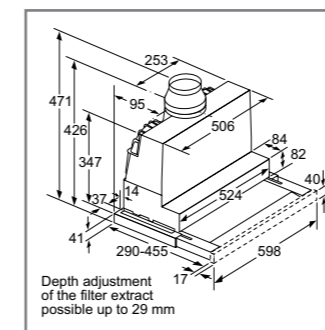
DHL575CGB



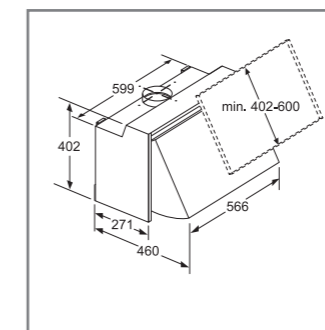
DLN53AA70B



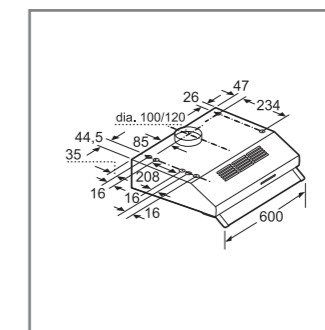
DFS097A51B



DFS067A51B, DFM063W56B



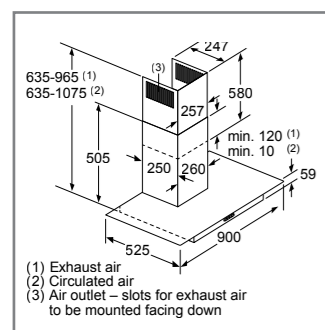
DEM66AC00B, DEM63AC00B



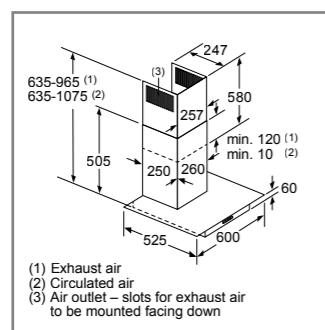
DUL63CC50B

### Recirculation filters

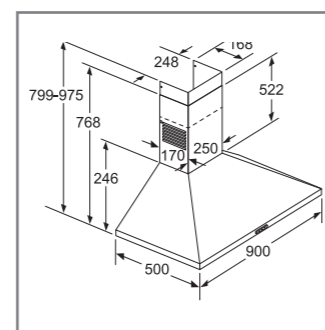
### Straight glass chimney & Pyramid chimney hoods



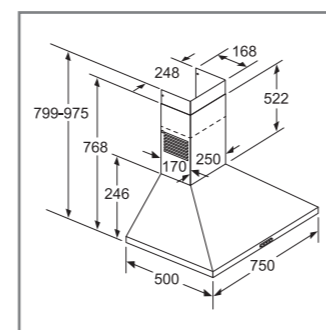
DWG94BC50B



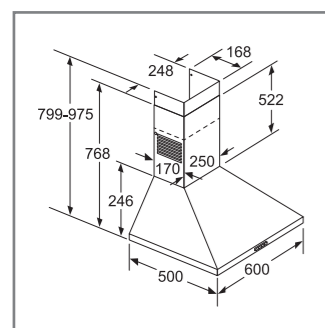
DWG64BC50B



DWP94BC50B



DWP74BC50B



DWP64BC50B, DWP64CC50M

Type	Standard charcoal filter	CleanAir filter	New Regenerative Long Life filter
Odour reduction guide	Up to 86%	Up to 95%	Up to 95% Up to 86% if installed without chimney
Recommended lifetime	6 - 12 months	12 months	10 years
Benefits	Simple installation Anti-fish treatment	High odour reduction Up to 3dB (A) sound reduction Better extraction performance Anti-fish treatment	High odour reduction Up to 3dB (A) sound reduction Regenerated in the oven every four months recommended (two hours, 200°C) Better extraction performance
Installation	Behind grease filter, inside the hood	Extra module attached to hood chimney (stainless steel) <b>New: Integrated plastic module fitted inside the chimney piece</b>	Extra module (as per CleanAir filter) onto chimney or inside chimney Chimless installation possible
Installation without chimney possible?	Yes (Angled hoods only)	No – module must fit onto chimney or inside the chimney	Yes (Angled hoods only)

A range of recirculation filters are available depending on the model of hood and offer excellent odour reduction rates and performance benefits.

The new regenerative filters can last up to 10 years and are regenerated through a heating process in the oven every four months

For full specification details, please log onto our website and download a full specification sheet.

All diagram measurements are in millimetres (mm)

We try to keep up to date with constant technological improvements, so from time to time we may update installation guidelines. Therefore we strongly recommend that you download the latest installation guidelines from [www.bosch-home.co.uk](http://www.bosch-home.co.uk). Line drawings are for guidance only, and we recommend that you refer to the latest installation guidelines. Though every care is taken to ensure instructions are correct at the time of printing, Bosch cannot accept responsibility for incorrect planning or installation as a result of the use of these line drawings.

## Series 8

Perfection in every detail, our **Series 8** range stands out from the crowd with superior quality, results and first-class design. Discover cutting-edge features and extras such as **i-DOS** automatic dosing system and targeted **Anti Stain** programmes to take the guesswork out of stain removal. Our **4D Wash** function ensures highly efficient usage of water and detergent guaranteeing spotless results. Monitor and control your wash remotely with our **Home Connect** models, developed to give you complete control over your washing.

## Series 6

Our **Series 6** models offer advanced features to make life easier. **i-DOS** doses each load with millilitre precision, which not only delivers outstanding results but a host of savings. **Speed Perfect** allows you to wash up to 65% faster\*\* without compromising results.

## Series 4

Easy to operate with family in mind. Our **Series 4** range truly understands your requirements. Practical and straightforward to use, these appliances combine easy operation with stylish design. These models benefit from the **Reload** function, which allows you to open the door throughout most of the cycle so you can add or remove items at any time.

Energy and water-saving technologies across our latest laundry appliances gives you peace of mind when washing and drying your clothes. To help you choose the right appliance, we have divided them into three ranges.



## 4D Wash

A combination of the direct water spray and an extra spin wash enables the most efficient and effective use of water and detergent, even when the drum is fully loaded. Achieve spotless laundry results every time.

## Intensive Plus

For heavily soiled laundry, sometimes additional treatment is needed. Intensive Plus gives a boost to your cleaning performance by adding an extra wash for approximately 30 minutes. Providing you with brilliant results even on the most challenging clothes.



## Iron Assist

Iron Assist makes ironing easier. It sprays a natural mist that permeates preheated textiles and visibly smooths your laundry. This extra steam treatment reduces or even eliminates the need to iron dried garments and works well with materials such as cotton, linen and blended fabrics with high cotton content such as jeans and business shirts\*\*\*.

Look out for the new energy efficiency class icons throughout our brochure and on our product pages.



\*Bosch washing machines with the 'Hygiene Plus' wash programme at 40° and 60° fulfill scientifically recommended conditions for 99,99% of germ reduction for Enterococcus Hirae and Pseudomonas Aeruginosa, according to Honisch et al. 2014, "Impact of wash cycle time, temperature and detergent formulation on the hygiene effectiveness of domestic laundering." Conducted by University Rhine-Waal.

\*\*Difference between the duration of Easy Care Programme 40°C and the duration of Easy Care Programme 40°C in combination with Speed Perfect option.

\*\*\*This feature will offer varied results on different materials with limited performance on synthetic fabrics and blended fabrics with high synthetic content. This function is not suitable for silk, wool, down, leather and membrane textiles as treatment with steam may be harmful to these materials.



## Never miss an item again.

Reload function on Bosch washing machines allows you to add or remove clothing of any size to your washes. Simply pause the cycle and the machine will automatically adjust the water level to allow you to open the door. Reload your items and restart the wash.

Model shown: WGB256A1GB

## Bosch integrated technology for a peaceful washing experience

### Everythings just right with i-DOS

Once activated, the i-DOS system measures the detergent automatically, to the nearest millimetre. Sensors inside the washing machine detect the type of fabric, the load volume in the drum and the degree of soiling and adjust the detergent to the optimum dose accordingly. This way, you'll achieve the best results for your clothes, whilst **saving detergent and water**.

### Enjoy the quiet life.

The modern world is noisy enough, so it's good to know that Bosch technology can help make the home environment a little oasis of calm with our **Eco Silence Drive™**.

### The right wash for the right stain.

The **Anti Stain Plus System** easily removes up to 16 of the most stubborn stains, helping you to easily get perfect washing results. The washing machine automatically adjusts the temperature, drum movement and soaking time to meet the demands of the relevant stains before your chosen programme starts.

### Less rock and roll.

We've also created **Anti Vibration** technology to cut down noise. The sidewalls of the washing machine feature a spiral design that increases stability and reduces vibrations. Improved sound insulation and low noise shock absorbers further dampen the noise.

### Speed Perfect.

With **Speed Perfect** you can reduce your washing time by up to 65%\*\* without compromising results. **Speed Perfect** can be used in combination with most of the programmes, all loads and textiles. For example, by selecting the mix programme in combination with **Speed Perfect** you can thoroughly wash up to 4kg of mixed load in just 41 minutes.

## Washing machine functions explained.

Check model for available functions.



### Vario Drum

Select the programme for your wash and the droplet-shaped drum structure and asymmetrical paddles will adjust the drum movements to either powerful or gentle.



### Eco Silence Drive™

Bosch Eco Silence Drive washing machines come with a 10-year motor guarantee.



### Aqua Stop

This security gives you peace of mind that the water will stop in the unlikely event of a leak.



### i-DOS

i-DOS automatically senses exactly the right amount of detergent and water to use, as well as the correct temperature, whatever your load, adapting to the fabrics, level of soiling and weight of the load.



### Hygiene Plus

Hygienic washing results that kill 99,99% of common germs\*.



### Reload

Simply pause the cycle and the machine will automatically adjust the water. This allows you to add or remove items of any size to your wash.



### Time Delay

Have your laundry ready when you need it. Just delay the start of your programme with one simple button.



### Capacity

Our freestanding washing machines have a drum capacity of up to 10kg, perfect for those busy households.



### Easy Start

Home Connect will pick the perfect programme for you. Simply input what you're washing and your requirements



### Speed Perfect

Wash up to 65%\*\* faster without compromising results. Speed Perfect can be used in combination with most other programmes, all loads and textiles.

### Mini load

The mini load programme lets you wash single items or very small loads up to 0.5kg more efficiently.

### i-DOS with Detergent Scan

Skip manual dosing and save detergent. Just scan your detergent with your Home Connect app and i-DOS will do the rest\*\*\*.



\*\*\*i-DOS avoids unnecessary rinse cycles due to manual overdosing. Pair your washing machine with your Home Connect account. Find more information on [www.home-connect.com/gb/en/](http://www.home-connect.com/gb/en/)

Model shown for illustrative purposes only.

## Heat pump dryers from Bosch: for those who want to dry more economically.

Bosch heat pump dryers use an innovative heat pump component, which conserves and reuses the hot air to provide most of the energy needed for the next drying process.



Model shown: WQB246C9GB



Models shown for illustrative purposes only.



Model shown: WPG23108GB

## With our condenser tumble dryers, there's no need for a hole in the wall.

With a condenser tumble dryer, the moisture extracted from the washing is collected in a container, so they don't need the typical air extractor hose that goes outside. All you have to do is plug it into an electrical outlet and switch it on.

The patented Self-Cleaning condenser cleverly uses condensation water to automatically clean itself up to four times per drying cycle. That ensures maximum efficiency for the entire working life of your tumble dryer.

**Short on space?** Have you considered a stacking kit? Please refer to compatibility list on page 88.



## Tumble dryer functions explained.

Check model for available functions.

### Personal Dry

On selected Home Connect enabled Bosch Tumble dryers, you can give feedback on your drying program. If you're unsatisfied with the drying results, feedback and the program will be adjusted to your needs.



### Auto Dry

With Auto Dry sensor technology you can ensure gentle and precise drying results. Auto Dry automatically knows when your load is perfectly dry by constantly measuring the humidity, protecting your clothes against overheating.



### Iron Assist

Iron Assist Bosch heat pump dryers with Iron Assist reduce or even eliminate the need to iron. A fine mist is created inside the drum which permeates the gently warmed contents and visibly smooths laundry and works well with materials such as cotton, linen and blended fabrics with high cotton contents such as jeans and business shirts\*.

\*This feature will offer varied results on different materials with limited performance on synthetic fabrics and blended fabrics with high synthetic content. This function is not suitable for silk, wool, down, leather and membrane textiles as treatment with steam may be harmful to these materials.



### Time Delay

Use the Home Connect app to delay the start/end time down to the minute.



### Anti Vibration Design

A spiral design on the side of all of our laundry appliances that increases stability and reduces vibration. This makes for a quieter machine with improved sound dampening.



### Self-Cleaning Condenser

The Self-Cleaning Condenser cleverly uses condensation water to automatically clean itself up to four times per drying cycle. This ensures maximum efficiency for the entire working life of the machine – so you'll never have to worry about the condenser again.



### Auto Clean

With Auto Clean technology, the lint and fluff will automatically be flushed and safely stored after every cycle, giving you peace of mind and efficient running. The machine will remind you to empty it after 20 cycles. No need to empty the door filter after every cycle, as with a regular machine.



### Easy Clean

The Easy Clean condenser filter is simple to access and only needs cleaning after every 20 cycles.



Models shown for illustrative purposes only.

Home Connect



Want to wash and dry in one go? After the wash cycle, a washer dryer automatically switches to the chosen drying mode. No need to transfer wet laundry from one appliance to the other. For items you prefer air drying, just run the wash cycle. You can also use the appliance as a dryer, without washing beforehand. It's one machine for all your washing and drying needs.

TO FIND OUT MORE ABOUT OUR HOME CONNECT, PLEASE SCAN THE QR CODE BELOW:



TO FIND OUT MORE ABOUT OUR BOSCH FREESTANDING WASHER DRYER RANGE, PLEASE SCAN THE QR CODE BELOW:



## Washer dryer functions explained.

Check model for available functions.



### Iron Assist

Iron Assist makes ironing easier. It sprays a natural mist that permeates preheated textiles and visibly smooths your laundry. This extra steam treatment reduces or even eliminates the need to iron dried garments.



### Auto Dry

With Auto Dry sensor technology you can ensure gentle and precise drying results. Auto Dry automatically knows when your load is perfectly dry by constantly measuring the humidity, protecting your clothes against overheating.



### Wrinkle Guard

Thanks to Wrinkle Guard you'll reduce the size of your ironing pile! The drum will continue to move dry laundry for a period of time after the cycle has finished, so clothes are cooled gradually and don't wrinkle when they are still warm.



### Eco Silence Drive™

Bosch Eco Silence Drive™ washing machines come with a 10-year motor guarantee.



### Speed Perfect

Wash up to 65%\* faster without compromising results. Speed Perfect can be used in combination with most other programmes, all loads and textiles.



### Capacity

Our freestanding washer dryers have a drum capacity of up to 10kg, perfect for those busy households. Wash and dry up to 6kg of items in one go or wash up to 10kg.

\*Difference between the duration of Easy Care Programme 40°C and the duration of Easy Care Programme 40°C in combination with **Speed Perfect** option.

Model shown: WNG254R1GB



### Iron Assist

Iron Assist uses a natural steam mist to smooth dried laundry – and you'll find that some items won't even need ironing at all. It's perfect for jackets, business shirts and even suits\*.

\*This feature will offer varied results on different materials with limited performance on synthetic fabrics and blended fabrics with high synthetic content. This function is not suitable for silk, wool, down, leather and membrane textiles as treatment with steam may be harmful to these materials.



Model shown: WNA134U8GB

## Convenience for small spaces.

Our washer dryers not only wash flawlessly, they also dry perfectly – all in one appliance. An ideal solution for people with high standards but not much space.

## Wash & dry in one.

Now you can wash and dry a load thoroughly in just one hour. This programme is suitable for lightly soiled clothes and for washing and drying heat resistant textiles, such as cottons or linen.



Model shown: WNA144V9GB

# Built-in laundry range

Effortlessly efficient, load after load. Our built-in laundry appliances are designed to perform perfectly, everytime. And our advanced technology means your clothes are cleaned effectively and efficiently.

## Series 8

Perfection in every detail, our **Series 8** range of laundry appliances stand out from the crowd with superior quality, results and first-class design. Clever features such as Time Light take away the guesswork on the progress of the wash. Unique innovations combined with energy efficiency deliver outstanding performance.

## Series 6

Our **Series 6** range of laundry appliances offers a broad choice of specialist programmes and deliver high performance and effortless convenience to enhance your lifestyle.

## Series 4

Models within our **Series 4** range combine practical features and Bosch quality in a consistent, value for money package.



## Time Light.

Bosch washing machines are so quiet sometimes it's hard to tell whether they are on or off, especially on fully-integrated models where there is no visible control panel. The Time Light indicates the programmes status and time remaining onto any floor surface.

Model shown for illustrative purposes only.

## Laundry functions explained.

Check model for available functions.



### Time Light

The time remaining on your cycle is projected onto the floor. You can also view the programme progress status.



### Vario Drum

Select the programme for your wash and the droplet-shaped drum structure and asymmetrical paddles will adjust the drum movements to either powerful or gentle.



### Eco Silence Drive™

Our washing machines with Eco Silence Drive™ generate lower noise levels for quieter living.



### Aqua Stop

This security gives you peace of mind that the water will stop in the unlikely event of a leak.



### Reload

Simply pause the cycle and the machine will automatically adjust the water. This allows you to add or remove items of any size to your wash.



### Time Delay

Have your laundry ready when you need it. Just delay the start of your programme with one simple button.



### Anti Vibration Design

A spiral design on the side of the washing machine that increases stability and reduces vibration. This makes for a quieter machine with improved sound dampening.



### Capacity

Our built-in washing machines have a drum capacity of up to 8kg, perfect for those busy households.

# Washing machines



TYPE	WASHER	WASHER
DESIGN FAMILY	SERIES 8	SERIES 6
MODEL	WIW28502GB	WIW28302GB
<b>KEY FEATURES</b>		
Time Light projection on floor	•	-
Reload function	•	•
Speed Perfect	•	•
Reduced noise wash	•	•
Eco Silence Drive	•	•
Drum design	Vario Drum	Vario Drum
Anti Vibration design	•	•
<b>ADDITIONAL FEATURES</b>		
Time delay	24 hours	24 hours
Child lock	•	•
Drum interior light	•	•
Water protection system	AquaStop	AquaStop
<b>PROGRAMMES/FUNCTIONS</b>		
Eco 40-60	•	•
Cottons	•	•
Super Quick 15/30	•	-
Hygiene Plus	-	•
Easy-care	•	•
Mixed Load	•	•
Wool	•	•
Delicates/Silk	•	•
Shirts and blouses	•	•
Sportswear	•	-
Dark Wash/Easy Care plus/Jeans	•	-
Duvet/ Down wear	•	-
Drum Clean	•	-
Extra Rinse	•	•
Pre Wash	•	•
Rinse/Spin	•	•
Rinse hold	•	•
Variable Temperature/Variable Spin	•	-/•
<b>PERFORMANCE / TECHNICAL INFORMATION</b>		
Energy efficiency class <sup>1</sup>	A G	A G
Load capacity (kg)	1 - 8	1 - 8
Energy <sup>2</sup> / Water <sup>3</sup> (kWh / litres)	62 / 45	62 / 45
Programme duration <sup>4</sup> (h:mm)	3:26	3:26
Maximum spin speed (rpm) <sup>5</sup>	1400	1400
Spin efficiency class	B	B
Noise level (dB(A) re 1 pW)	66	66
Noise emission class	A	A
Dimensions of the product h x w x d (inc. hinge and 19mm door) (mm)	818 x 596 x 544 (574)	818 x 596 x 544 (574)
Door opening angle	130°	130°
Depth with open door 90° (mm)	956	956
Height adjustability (mm)	12	12
Length of electrical supply cord (cm)	210	210
Length of supply hose/ drain hose (cm)	220 / 220	220 / 220
Door hinge (door porthole)	Left-hand	Left-hand

• = yes - = no

<sup>1</sup> On an energy-efficiency class scale from A to G

<sup>2</sup> Energy consumption in kWh/100 operating cycles (using Eco 40-60 programme)

<sup>3</sup> Water consumption in litres/operating cycle (using Eco 40-60 programme)

<sup>4</sup> Duration of Eco 40-60 programme

<sup>5</sup> The specified value is rounded

Data valid in this table as of April 2024. Subject to modification without prior notice.

For full specification details, please log onto our website and download a full specification sheet.

5 Year Warranty - Offer dates 01.04.24 - 31.03.25. T&Cs apply. Online registration required. Selected models only.

TYPE	WASHER DRYER	WASHER DRYER
DESIGN FAMILY	SERIES 6	SERIES 4
MODEL	WKD28543GB	WKD28352GB
<b>KEY FEATURES</b>		
Flexi Time (normal/medium/short washing time selection)	•	•
Reduced ironing option	-	-
Reduced noise programme	•	•
Sensor controlled drying	•	-
<b>ADDITIONAL FEATURES</b>		
Time delay (h)	•	•
Foam detection system	•	•
Balance control	•	•
Child lock	•	•
Water protection system	Aqua Secure	Multiple water protection
<b>PROGRAMMES/FUNCTIONS</b>		
Hygiene Plus	•	-
Super Quick 15	•	-
Eco 40-60	•	•
Cottons	•	•
Easy-care programme	•	•
Wool programme	•	•
Delicates/Silk	•	•
Intensive wash	•	•
Intensive Dry	•	•
Gentle Dry	•	•
Easy Clean	•	•
Rinse/Spin	•	•
Spin/Drain	•	•
Sportswear	•	-
Mixed Load	•	-
Aqua Plus/Rinse Plus	•	•
Pre wash	•	•
Variable Temperature/Variable Spin	•/•	-/•
<b>PERFORMANCE / TECHNICAL INFORMATION</b>		
Energy efficiency class washing and drying <sup>1</sup>	A G	A G
Energy efficiency class washing <sup>2</sup>	A G	A G
Energy <sup>3</sup> / Water <sup>4</sup> washing and drying (kWh / litres)	266 / 68	266 / 68
Energy <sup>3</sup> / Water <sup>4</sup> washing (kWh / litres)	77 / 44	77 / 44
Load capacity washing and drying / washing (kg)	1 - 4 / 1 - 7	1 - 4 / 1 - 7
Programme duration <sup>7</sup> washing and drying / washing (h:mm)	5:30 / 2:50	5:30 / 2:50
Spin efficiency class	B	B
Spin speed <sup>8</sup> (rpm)	1400	1400
Noise level (dB(A) re 1 pW)	72	72
Noise emission class	A	A
Dimensions of the product h x w x d (inc. hinge and 20mm door) (mm)	820 x 595 x 560 (584)	820 x 595 x 560 (584)
Door opening angle	95°	95°
Depth with open door 90° (mm)	960	960
Height adjustability (mm)	150	150
Length of electrical supply cord (cm)	220	220
Length of supply hose/ drain hose (cm)	200/200	200/200
Door hinge (door porthole)	Left-hand	Left-hand

<sup>1,2</sup> On an energy-efficiency class scale from A to G

<sup>3</sup> Energy consumption in kWh/100 complete operating cycles (using Eco 40-60 programme)

<sup>4</sup> Water consumption in litres/complete operating cycle (using Eco 40-60 programme)

<sup>5</sup> Energy consumption in kWh/100 wash cycles (using Eco 40-60 programme)

<sup>6</sup> Water consumption in litres/wash cycle (using Eco 40-60 programme)

<sup>7</sup> Duration of Eco 40-60 programme, complete operating cycle / wash cycle

<sup>8</sup> The specified value is rounded





TYPE	WASHER	WASHER	WASHER	WASHER
DESIGN FAMILY	SERIES 8	SERIES 6	SERIES 6	SERIES 6
MODEL	WGB256A1GB	WGG254F0GB	WGG254Z5GB	WGG254Z0GB
<b>KEY FEATURES</b>				
Iron Assist	•	•	•	•
Detergent Scan	•	-	-	-
Mini Load	•	-	-	-
Home Connect	•	-	-	-
i-DOS detergent dosing system	•	•	-	-
Speed Perfect	•	•	•	•
Reload facility	•	•	•	•
Stain Removal system	Anti Stain Plus (6) - 10 via App	Anti Stain (4)	•	•
Eco Silence Drive	•	•	•	•
Anti Vibration design	•	•	•	•
Reduced ironing option	•	•	•	•
Reduced noise option	-	-	-	-
4D Wash system	•	-	-	-
Active Oxygen	-	-	-	-
Intensive Plus	-	-	-	-
Consumption indicator	-	-	-	-
<b>ADDITIONAL FEATURES</b>				
Time delay	24 hours	24 hours	24 hours	24 hours
Child lock	•	•	•	•
Drum interior light	•	-	-	-
Safety	Aqua Stop	Multiple Water Protection	Multiple Water Protection	Multiple Water Protection
<b>PROGRAMMES / FUNCTIONS</b>				
Eco 40-60	•	•	•	•
Cottons	•	•	•	•
Super Quick 15 / 30	•	•	•	•
Hygiene Plus	•	•	•	•
Easy Care Plus	•	•	•	•
Easy Care	•	•	•	•
Mixed Load / Wool	•	•	•	•
Delicates / Silk	•	•	•	•
Sportswear	•	-	•	•
Dark Wash / Jeans	• (via App)	-	-	-
Shirts and blouses	• (via App)	-	-	-
Duvet / Down wear	- / • (via App)	-	-	-
Waterproofs	-	-	-	-
Auto programme	•	•	•	•
Memory programme	•	-	-	-
Drum Clean	• (via App)	•	•	•
Extra Rinse	•	•	•	•
Pre Wash	•	•	•	•
Rinse / Spin	-	-	-	-
Rinse hold	•	•	•	•
Spin / Drain	•	•	•	•
Single Rinse	•	•	•	•
Soak	•	•	-	-
Variable Temperature / Variable Spin	• / •	• / •	• / •	• / •
<b>PERFORMANCE / TECHNICAL INFORMATION</b>				
Energy efficiency class <sup>1</sup>	A	A	A	A
Load capacity (kg)	1 - 10	1 - 10	1 - 10	1 - 10
Energy <sup>2</sup> / Water <sup>3</sup> (kWh / litres)	41 / 49	51 / 50	51 / 50	51 / 50
Programme duration <sup>4</sup> (h:mm)	3:50	3:50	3:50	3:50
Maximum spin speed (rpm) <sup>5</sup>	1400	1400	1400	1400
Spin efficiency class	B	B	B	B
Noise level (dB(A) re 1 pW) Washing	48	52	52	52
Noise level (dB(A) re 1 pW) Spinning	70	74	74	74
Noise emission class	A	B	B	B
Dimensions of the product (H x W x D) (inc. door porthole) (mm)	848 x 598 x 590 (644)	845 x 598 x 588 (632)	845 x 598 x 588 (632)	845 x 598 x 588 (632)
Door opening angle	182°	160°	160°	160°

• = Yes - = No  
<sup>1</sup> On an energy-efficiency class scale from A to G <sup>2</sup> Energy consumption in kWh/100 operating cycles (using Eco 40-60 programme)  
<sup>3</sup> Water consumption in litres/operating cycle (using Eco 40-60 programme) <sup>4</sup> Duration of Eco 40-60 programme  
<sup>5</sup> The specified value is rounded. **Data valid in this table as of April 2024.** Subject to modification without prior notice.

For full specification details, please log onto our website and download a full specification sheet. 5 Year Warranty - Offer dates 01.04.24 - 31.03.25. T&C's apply. Online registration required. Selected models only.



TYPE	WASHER	WASHER	WASHER	WASHER
DESIGN FAMILY	SERIES 6	SERIES 6	SERIES 6	SERIES 6
MODEL	WGG244FCGB	WGG244F9GB	WGG244ZCGB	WGG24400GB
<b>KEY FEATURES</b>				
Iron Assist	•	•	•	•
Detergent Scan	-	-	-	-
Mini Load	-	-	-	-
Home Connect	-	-	-	-
i-DOS detergent dosing system	•	•	-	-
Speed Perfect	•	•	•	•
Reload facility	•	•	•	•
Stain Removal system	Anti Stain (4)	Anti Stain (4)	Anti Stain (4)	Anti Stain (4)
Eco Silence Drive	•	•	•	•
Anti Vibration design	•	•	•	•
Reduced ironing option	•	•	•	•
Reduced noise option	-	-	-	-
4D Wash system	-	-	-	-
Active Oxygen	-	-	-	-
Intensive Plus	-	-	-	-
Consumption indicator	-	-	-	-
<b>ADDITIONAL FEATURES</b>				
Time delay	24 hours	24 hours	24 hours	24 hours
Child lock	•	•	•	•
Drum interior light	•	•	•	•
Safety	Multiple Water Protection	Multiple Water Protection	Multiple Water Protection	Multiple Water Protection
<b>PROGRAMMES / FUNCTIONS</b>				
Eco 40-60	•	•	•	•
Cottons	•	•	•	•
Super Quick 15 / 30	•	•	•	•
Hygiene Plus	•	•	•	•
Easy Care Plus	-	-	-	-
Easy Care	•	•	•	•
Mixed Load / Wool	•	•	•	•
Delicates / Silk	•	•	•	•
Sportswear	•	•	•	•
Dark Wash / Jeans	-	-	•	•
Shirts and blouses	-	-	-	-
Duvet / Down wear	-	-	-	-
Waterproofs	-	-	-	-
Auto programme	•	•	•	•
Memory programme	-	-	-	-
Drum Clean	•	•	•	•
Extra Rinse	•	•	•	•
Pre Wash	•	•	•	•
Rinse / Spin	-	-	-	-
Rinse hold	•	•	•	•
Spin / Drain	•	•	•	•
Single Rinse	•	•	•	•
Soak	•	•	-	-
Variable Temperature / Variable Spin	• / •	• / •	• / •	• / •
<b>PERFORMANCE / TECHNICAL INFORMATION</b>				
Energy efficiency class <sup>1</sup>	A	A	A	A
Load capacity (kg)	1 - 9	1 - 9	1 - 9	1 - 9
Energy <sup>2</sup> / Water <sup>3</sup> (kWh / litres)	46 / 48	46 / 48	49 / 50	49 / 50
Programme duration <sup>4</sup> (h:mm)	3:48	3:48	3:48	3:48
Maximum spin speed (rpm) <sup>5</sup>	1400	1400	1400	1400
Spin efficiency class	B	B	B	B
Noise level (dB(A) re 1 pW) Washing	51	51	51	51
Noise level (dB(A) re 1 pW) Spinning	71	71	71	71
Noise emission class	A	A	A	A
Dimensions of the product (H x W x D) (inc. door porthole) (mm)	848 x 598 x 590 (632)	848 x 598 x 590 (636)	848 x 598 x 590 (636)	845 x 598 x 588 (632)
Door opening angle	165°	165°	165°	160°

• = Yes - = No  
<sup>1</sup> On an energy-efficiency class scale from A to G <sup>2</sup> Energy consumption in kWh/100 operating cycles (using Eco 40-60 programme)  
<sup>3</sup> Water consumption in litres/operating cycle (using Eco 40-60 programme) <sup>4</sup> Duration of Eco 40-60 programme  
<sup>5</sup> The specified value is rounded. **Data valid in this table as of April 2024.** Subject to modification without prior notice.

For full specification details, please log onto our website and download a full specification sheet. 5 Year Warranty - Offer dates 01.04.24 - 31.03.25. T&C's apply. Online registration required. Selected models only.

# Washing machines



Discontinues July 2024

TYPE	WASHER	WASHER	WASHER	WASHER
DESIGN FAMILY	SERIES 6	SERIES 4	SERIES 4	SERIES 2
MODEL	WGG25402GB	WAN28259GB	WAN28258GB	WGE03408GB
<b>KEY FEATURES</b>				
Iron Assist	-	•	•	-
Detergent Scan	-	-	-	-
Mini Load	-	-	-	-
Home Connect	-	-	-	-
i-DOS detergent dosing system	-	-	-	-
Speed Perfect	•	•	•	•
Reload facility	•	•	•	•
Stain Removal system	Anti Stain (4)	-	-	-
Eco Silence Drive	•	•	•	•
Anti Vibration design	•	•	•	•
Reduced ironing option	•	•	•	-
Reduced noise option	-	•	•	-
4D Wash system	-	-	-	-
Active Oxygen	-	-	-	-
Intensive Plus	-	-	-	-
Consumption indicator	-	-	-	-
<b>ADDITIONAL FEATURES</b>				
Time delay	24 hours	24 hours	24 hours	24 hours
Child lock	•	•	•	•
Drum interior light	-	-	-	-
Safety	Multiple Water Protection	Multiple Water Protection	Multiple Water Protection	Multiple Water Protection
<b>PROGRAMMES / FUNCTIONS</b>				
Eco 40-60	•	•	•	•
Cottons	•	•	•	•
Super Quick 15 / 30	•	•	•	•
Hygiene Plus	•	•	•	•
Easy-care Plus	-	-	-	-
Easy-care	•	•	•	•
Mixed Load / Wool	•	•	•	•
Delicates / Silk	•	•	•	•
Sportswear	•	-	-	-
Dark Wash / Jeans	•	•	•	-
Shirts and blouses	-	•	•	-
Duvet / Down wear	•	-	-	-
Waterproofs	-	•	•	-
Auto programme	-	-	-	-
Memory programme	-	-	-	-
Drum Clean	•	•	•	-
Extra Rinse	•	-	-	-
Pre Wash	•	•	•	•
Rinse / Spin	-	-	-	-
Rinse hold	•	•	•	•
Spin / Drain	•	•	•	•
Single Rinse	•	•	•	-
Soak	•	-	-	-
Variable Temperature / Variable Spin	• / •	• / •	• / •	- / •
<b>PERFORMANCE / TECHNICAL INFORMATION</b>				
Energy efficiency class <sup>1</sup>	<b>A</b>	<b>A</b>	<b>A</b>	<b>A</b>
Load capacity (kg)	1-10	1-9	1-8	1-8
Energy <sup>2</sup> / Water <sup>3</sup> (kWh / litres)	51 / 50	49 / 50	46 / 47	46 / 47
Programme duration <sup>4</sup> (h:mm)	3:50	3:48	3:33	3:33
Maximum spin speed (rpm) <sup>5</sup>	1400	1400	1400	1400
Spin efficiency class	B	B	B	B
Noise level (dB(A) re 1 pW) Washing	52	51	51	51
Noise level (dB(A) re 1 pW) Spinning	74	72	72	71
Noise efficiency class	B	A	A	A
Dimensions of the product (H x W x D) (inc. door porthole) (mm)	845 x 598 x 588 (632)	845 x 598 x 590 (633)	845 x 598 x 590 (633)	848 x 598 x 588 (632)
Door opening angle	160°	171°	171°	160°

• = Yes - = No  
<sup>1</sup> On an energy-efficiency class scale from A to G <sup>2</sup> Energy consumption in kWh/100 operating cycles (using Eco 40-60 programme)  
<sup>3</sup> Water consumption in litres/operating cycle (using Eco 40-60 programme) <sup>4</sup> Duration of Eco 40-60 programme  
<sup>5</sup> The specified value is rounded. **Data valid in this table as of April 2024.** Subject to modification without prior notice.

For full specification details, please log onto our website and download a full specification sheet. 5 Year Warranty - Offer dates 01.04.24 - 31.03.25. T&C's apply. Online registration required. Selected models only.

# Washer dryers



TYPE	WASHER DRYER	WASHER DRYER	WASHER DRYER
DESIGN FAMILY	SERIES 8	SERIES 8	SERIES 6
MODEL	WNC254ARGB	WNC25410GB	WNG254R1GB
<b>KEY FEATURES</b>			
Home Connect	•	•	-
Eco Silence Drive	•	•	•
Speed Perfect	•	•	•
Reload facility	•	•	•
Auto Dry	•	•	•
Self cleaning condenser	•	•	•
<b>ADDITIONAL FEATURES</b>			
Time delay / Time Remaining	•	•	•
Child safety lock	•	•	•
Water protection system	Aqua Stop	Aqua Stop	Multiple Water Protection
<b>PROGRAMMES</b>			
i-DOS detergent dosing system	•	•	-
Iron Assist	•	•	•
Hygiene	• (via App)	• (via App)	•
Allergy Plus	-	-	-
Super Quick 15	•	•	•
Wash & Dry 60 mins	• (Wash & Dry 45)	• (Wash & Dry 45)	•
Cottons	•	•	•
Easy-care programme	•	•	•
Wool programme	•	•	•
Delicates / Silk	•	•	•
Sportswear	•	•	-
Mixed Load	•	•	•
Towels	-	-	-
Shirts	• (via App)	• (via App)	-
Down	-	-	-
Intensive Dry	-	-	•
Gentle Dry	-	-	•
My Time Wash	-	-	-
My Time Dry	-	-	•
Rinse	•	•	•
Spin / Drain	•	•	•
Memory	•	• (via App)	•
Drum Clean	• (via App)	• (via App)	-
Reduced noise wash / dry	-	-	-
Reduced ironing	•	•	•
Hygiene Care	•	•	•
Aqua Plus / Rinse Plus	•	•	-
Pre wash	•	•	•
Variable Temperature / Spin	•	•	•
<b>PERFORMANCE / TECHNICAL INFORMATION</b>			
Energy efficiency class washing and drying <sup>1</sup>	<b>D</b>	<b>D</b>	<b>D</b>
Energy efficiency class washing <sup>2</sup>	<b>A</b>	<b>A</b>	<b>A</b>
Energy <sup>3</sup> / Water <sup>4</sup> washing and drying (kWh / litres)	305 / 75	305 / 75	306 / 82
Energy <sup>3</sup> / Water <sup>4</sup> washing (kWh / litres)	52 / 50	52 / 50	51 / 52
Load capacity washing and drying / washing (kg)	1-6 / 1-10.5	1-6 / 1-10	1-6 / 1-10.5
Programme duration <sup>5</sup> washing and drying / washing (h:mm)	08:20 / 04:00	08:20 / 04:00	08:40 / 03:59
Spin efficiency class	B	B	B
Spin speed <sup>6</sup> (rpm)	1400	1400	1400
Noise level (dB(A) re 1 pW)	70	70	70
Noise emission class	A	A	A
Dimensions of the product (H x W x D) (inc. door porthole) (mm)	848 x 598 x 622 (654)	848 x 598 x 622 (654)	848 x 598 x 590 (636)
Door opening angle	125°	125°	165°

• = Yes - = No  
<sup>1,2</sup> On an energy-efficiency class scale from A to G <sup>3</sup> Energy consumption in kWh/100 complete operating cycles (using Eco 40-60 programme)  
<sup>4</sup> Water consumption in litres/complete operating cycle (using Eco 40-60 programme) <sup>5</sup> Energy consumption in kWh/100 wash cycles (using Eco 40-60 programme)  
<sup>6</sup> Water consumption in litres/wash cycle (using Eco 40-60 programme) <sup>7</sup> Duration of Eco 40-60 programme, complete operating cycle / wash cycle  
<sup>8</sup> The specified value is rounded. **Data valid in this table as of April 2024.** Subject to modification without prior notice.

For full specification details, please log onto our website and download a full specification sheet. 5 Year Warranty - Offer dates 01.04.24 - 31.03.25. T&C's apply. Online registration required. Selected models only.

# Washer dryers



TYPE	WASHER DRYER	WASHER DRYER	WASHER DRYER
DESIGN FAMILY	SERIES 6	SERIES 4	SERIES 4
MODEL	WNG25401GB	WNA144V9GB	WNA134U8GB
KEY FEATURES		WHITE	WHITE
Home Connect	-	-	-
Eco Silence Drive	•	•	•
Speed Perfect	•	•	•
Reload facility	•	•	•
Auto Dry	•	•	•
Self cleaning condenser	•	•	•
ADDITIONAL FEATURES			
Time delay / Time Remaining	•	•	•
Child safety lock	•	•	•
Water protection system	Multiple water protection	Aqua Secure	Aqua Protection Plus
PROGRAMMES			
i-DOS detergent dosing system	-	-	-
Iron Assist	•	•	•
Hygiene	•	-	-
Allergy Plus	•	-	-
Super Quick 15	•	•	•
Wash & Dry 60 mins	•	•	•
Cottons	•	•	•
Easy-care programme	•	•	•
Wool programme	•	•	•
Delicates / Silk	•	•	•
Sportswear	-	•	•
Mixed Load	•	•	•
Towels	-	-	-
Shirts	-	-	-
Down	-	-	-
Intensive Dry	•	•	•
Gentle Dry	•	•	•
My Time Wash	-	-	-
My Time Dry	•	•	•
Rinse	•	•	•
Spin / Drain	•	•	•
Memory	-	-	-
Drum Clean	-	-	-
Reduced noise wash / dry	-	-	-
Reduced ironing	•	•	•
Hygiene Care	•	-	-
Aqua Plus / Rinse Plus	-	-	-
Pre wash	•	•	•
Variable Temperature / Spin	•	•	•
PERFORMANCE / TECHNICAL INFORMATION			
Energy efficiency class washing and drying <sup>1</sup>			
Energy efficiency class washing <sup>2</sup>			
Energy <sup>3</sup> / Water <sup>4</sup> washing and drying (kWh / litres)	306 / 82	322 / 74	313 / 70
Energy <sup>3</sup> / Water <sup>4</sup> washing (kWh / litres)	51 / 52	57 / 46	63 / 41
Load capacity washing and drying / washing (kg)	1-6 / 1-10.5	1-5 / 1-9	1-5 / 1-8
Programme duration <sup>5</sup> washing and drying / washing (h:mm)	08:40 / 03:59	07:30 / 03:44	07:30 / 03:32
Spin efficiency class	B	B	B
Spin speed <sup>6</sup> (rpm)	1400	1400	1400
Noise level (dB(A) re 1 pW)	70	70	70
Noise emission class	A	A	A
Dimensions of the product (H x W x D) (inc. door porthole) (mm)	848 x 598 x 590 (636)	848 x 598 x 590 (649)	848 x 598 x 590 (649)
Door opening angle	165°	165°	165°

• = Yes - = No  
<sup>1,2</sup> On an energy-efficiency class scale from A to G. <sup>3</sup> Energy consumption in kWh/100 complete operating cycles (using Eco 40-60 programme)  
<sup>4</sup> Water consumption in litres/complete operating cycle (using Eco 40-60 programme) <sup>5</sup> Energy consumption in kWh/100 wash cycles (using Eco 40-60 programme)  
<sup>6</sup> Water consumption in litres/wash cycle (using Eco 40-60 programme) <sup>7</sup> Duration of Eco 40-60 programme, complete operating cycle / wash cycle  
<sup>8</sup> The specified value is rounded. **Data valid in this table as of April 2024.** Subject to modification without prior notice.

For full specification details, please log onto our website and download a full specification sheet.  
 5 Year Warranty - Offer dates 01.04.24 - 31.03.25. T&C's apply. Online registration required. Selected models only.

Explore more at [bosch-home.co.uk](https://www.bosch-home.co.uk) / [bosch-home.ie](https://www.bosch-home.ie)

# Tumble dryers



TYPE	DRYER	DRYER	DRYER
DESIGN FAMILY	SERIES 8	SERIES 6	SERIES 6
MODEL	WQB246C9GB	WQG245R9GB	WQG245S9GB
KEY FEATURES		GRAPHITE	SILVER INOX
Heat Pump	•	•	•
Home Connect	•	-	-
Smart Dry	•	-	-
Iron Assist	•	-	-
Auto Clean	-	-	-
Self Cleaning Condenser	•	•	•
Easy Clean filter	-	-	-
ADDITIONAL FEATURES			
Auto Dry	•	•	•
Anti crease cycle (mins)	120	60	60
Time delay / Time Remaining	•/•	•/•	•/•
Drum interior light	•	•	•
Water container full / blocked filter warning indicator	•/•	•/•	•/•
Child lock	•	•	•
PROGRAMMES/FUNCTIONS			
Cottons	•	•	•
Cottons Eco	-	-	-
Easy-care	•	-	•
Hygiene Plus	•	•	•
Allergy Plus	-	-	-
Woolen Finish	• (via App)	•	•
SuperQuick 40	• (via App)	•	•
Timed programmes	•	•	•
Mixed Load	•	•	•
Sportswear	•	•	•
Towels	•	•	•
Delicates	•	•	•
Duvet	-	•	•
Down Wear	-	•	•
Shirts and blouses	•	•	•
Wool / Trainer basket	-	-	-
Memory / My Favourite	-/•	-	-
Shirts	•	-	-
End of cycle indicator	•	•	•
Low Heat option	•	•	•
Crease Guard	•	•	•
PERFORMANCE / TECHNICAL INFORMATION			
Energy efficiency class	A+++ (-10%)	A++	A++
Capacity cotton (kg)	9	9	9
Energy consumption annual (kWh/annum)	174	258	258
Condensation efficiency class	A	B	B
Condensation efficiency for standard cotton programme on full and partial load (weighted)	91%	86%	86%
Ambient temperature range	5-35°C	5-35°C	5-35°C
Noise level (dB(A) re 1pW)	59	64	64
Dimensions of the product (inc. door) (cm)	842 x 598 x 613 (652)	842 x 598 x 613 (648)	842 x 598 x 613 (648)
Door opening angle	180°	170°	170°
Door hinge position	Right-hand / reversible	Right-hand	Right-hand
Plumbing out possible?	•	•	•
Draining kit included?	•	•	•
Drum volume	112L	112L	112L
Platform	T27-PG1.5CU-s	T27-CA10-Ahi	T27-CA10-Ahi

• = Yes - = No  
 The programme cotton cupboard dry used at full and partial loads is the standard drying programme to which the information on the energy label refers. This is the most efficient programme in terms of energy consumption for cotton. Annual consumption is based on 160 drying cycles. **Data valid in this table as of April 2024.** Subject to modification without prior notice.

For full specification details, please log onto our website and download a full specification sheet.  
 5 Year Warranty - Offer dates 01.04.24 - 31.03.25. T&C's apply. Online registration required. Selected models only.

Making **life easy** through innovative technologies



TYPE	DRYER	DRYER	DRYER	DRYER
DESIGN FAMILY	SERIES 6	SERIES 6	SERIES 6	SERIES 4
MODEL	WQG24509GB	WQG245A0GB	WPG23108GB	WTH85223GB
<b>KEY FEATURES</b>				
Heat Pump	●	●	-	●
Home Connect	-	-	-	-
Smart Dry	-	-	-	-
Iron Assist	-	-	-	-
Auto Clean	-	-	-	-
Self Cleaning Condenser	●	●	-	-
Easy Clean filter	-	-	●	●
<b>ADDITIONAL FEATURES</b>				
Auto Dry	●	●	●	●
Anti crease cycle (mins)	60	120	60	60
Time delay / Time Remaining	●/●	●/●	●/●	●/●
Drum interior light	●	●	●	-
Water container full / blocked filter warning indicator	●/●	●/●	●/●	●/●
Child lock	●	●	●	●
<b>PROGRAMMES/FUNCTIONS</b>				
Cottons	●	●	●	●
Cottons Eco	-	●	-	-
Easy-care	●	●	●	●
Hygiene Plus	●	●	●	-
Allergy Plus	-	-	-	-
Woolen Finish	●	●	●	●
Super Quick 40	●	●	●	●
Timed programmes	●	●	●	●
Mixed Load	●	●	●	●
Sportswear	●	●	●	●
Towels	●	●	●	-
Delicates	●	●	●	-
Duvet	●	-	●	-
Down Wear	●	●	-	●
Shirts and blouses	●	●	-	●
Wool / Trainer basket	-	-	-	-
Memory / My Favourite	-	-	-	-
Shirts	-	●	●	-
End of cycle indicator	●	●	●	●
Low Heat option	●	●	●	●
Crease Guard	●	●	●	●
<b>PERFORMANCE / TECHNICAL INFORMATION</b>				
Energy efficiency class	A++	A+++	B	A++
Capacity cotton (kg)	9	9	8	8
Energy consumption annual (kWh/annum)	258	193	560	228
Condensation efficiency class	B	B	B	B
Condensation efficiency for standard cotton programme on full and partial load (weighted)	86%	88%	88%	81%
Ambient temperature range	5-35°C	5-35°C	5-35°C	5-35°C
Noise level (dB(A) re 1pW)	64	60	63	65
Dimensions of the product (inc. door) (cm)	842 x 598 x 613 (648)	842 x 598 x 613 (648)	842 x 598 x 613 (648)	842 x 598 x 613 (665)
Door opening angle	170°	170°	180°	170°
Door hinge position	Right-hand	Right-hand	Right-hand	Right-hand
Plumbing out possible?	●	●	●	●
Draining kit included?	●	●	●	●
Drum volume	112L	112L	112L	112L
Platform	T27-CA10-Ahi	T27-CA10-Ahi	T20-CA10-Ahi	T21-V2

● = Yes - = No  
 The programme cotton cupboard dry used at full and partial loads is the standard drying programme to which the information on the energy label refers. This is the most efficient programme in terms of energy consumption for cotton. Annual consumption is based on 160 drying cycles. **Data valid in this table as of April 2024.** Subject to modification without prior notice.



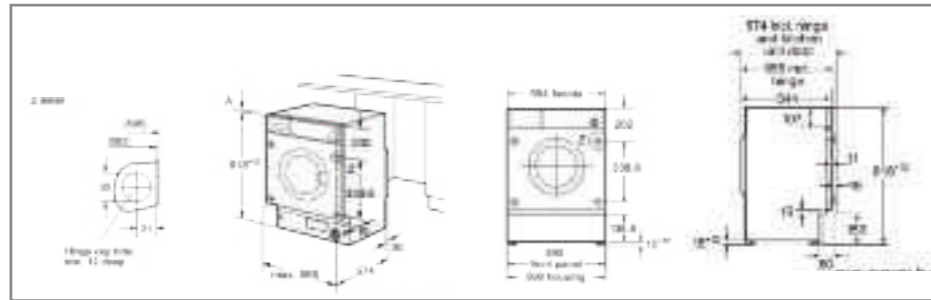
Available September 2024      Discontinues September 2024      Available September 2024      Available September 2024

TYPE	DRYER	DRYER	DRYER	DRYER
DESIGN FAMILY	SERIES 4	SERIES 4	SERIES 4	SERIES 4
MODEL	WTH85225GB	WTH84001GB	WTN83203GB	WTN83202GB
<b>KEY FEATURES</b>				
Heat Pump	●	●	-	-
Home Connect	-	-	-	-
Smart Dry	-	-	-	-
Iron Assist	-	-	-	-
Auto Clean	-	-	-	-
Self Cleaning Condenser	-	-	-	-
Easy Clean filter	●	●	●	●
<b>ADDITIONAL FEATURES</b>				
Auto Dry	●	●	●	●
Anti crease cycle (mins)	120	120	120	120
Time delay / Time Remaining	●/●	●/●	●/●	●/●
Drum interior light	-	-	-	-
Water container full / blocked filter warning indicator	●/●	●/●	●/●	●/●
Child lock	●	●	●	●
<b>PROGRAMMES/FUNCTIONS</b>				
Cottons	●	●	●	●
Cottons Eco	-	-	-	-
Easy-care	●	●	●	●
Hygiene Plus	-	-	-	-
Allergy Plus	-	-	●	●
Woolen Finish	●	●	●	●
Super Quick 40	●	●	●	●
Timed programmes	●	●	●	●
Mixed Load	●	●	●	●
Sportswear	●	●	●	●
Towels	●	●	-	-
Delicates	●	-	●	●
Duvet	-	-	-	-
Down Wear	-	●	-	-
Shirts and blouses	●	●	-	-
Wool / Trainer basket	-	-	-	-
Memory / My Favourite	-	-	-	-
Shirts	●	-	●	●
End of cycle indicator	●	●	●	●
Low Heat option	●	●	●	●
Crease Guard	●	●	●	●
<b>PERFORMANCE / TECHNICAL INFORMATION</b>				
Energy efficiency class	A++	A++	B	B
Capacity cotton (kg)	8	8	8	8
Energy consumption annual (kWh/annum)	TBC	270	560	560
Condensation efficiency class	TBC	B	B	B
Condensation efficiency for standard cotton programme on full and partial load (weighted)	TBC	81%	88%	88%
Ambient temperature range	5-35°C	5-35°C	5-35°C	5-35°C
Noise level (dB(A) re 1pW)	TBC	64	65	65
Dimensions of the product (inc. door) (cm)	842 x 598 x 613 (651)	842 x 598 x 613 (651)	842 x 598 x 613 (665)	842 x 598 x 613 (651)
Door opening angle	170°	170°	175°	175°
Door hinge position	Right-hand	Right-hand	Right-hand	Right-hand
Plumbing out possible?	●	●	●	●
Draining kit included?	●	●	●	●
Drum volume	112L	112L	112L	112L
Platform	T21-V2	T21-V0	T20-V2	T20-V2

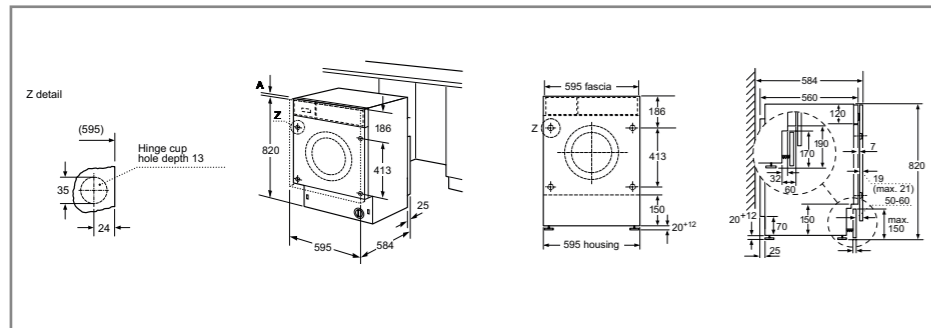
● = Yes - = No  
 The programme cotton cupboard dry used at full and partial loads is the standard drying programme to which the information on the energy label refers. This is the most efficient programme in terms of energy consumption for cotton. Annual consumption is based on 160 drying cycles. **Data valid in this table as of April 2024.** Subject to modification without prior notice.

## Built-in home laundry technical diagrams

### Washing machines and washer dryers


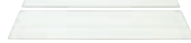


WIW28502GB, WIW28302GB



WKD28543GB, WKD28352GB

## Built-in home laundry accessories

Description	Accessory Nr.	WIW28501GB	WIW28301GB	WKD28542GB	WKD28352GB
 Extension for cold water inlet/AquaStop	WMZ2380	-	-	•	•
 Height adjustable feet	WMZ20441	•	•	-	-





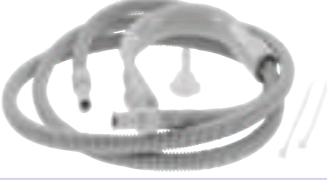


## Freestanding stacking kit compatibility

DESCRIPTION	Accessory Nr.	WQB246C9GB	WQG245R9GB	WQG245S9GB	WQG24509GB	WQG233D8GB
Stacking kit	WTZ20410	-	-	-	•	-
Stacking kit with pull-out shelf	WTZ11400	-	-	-	•	•
Stacking kit	WTZ27410	-	-	-	•	•
Stacking kit with pull-out shelf	WTZ27400	-	-	-	•	•
Condenser drainage kit	WTZ1110	-	-	-	-	-
Floor securing component	WMZ2200	-	-	-	-	-
Extension for cold water inlet/AquaStop	WMZ2381	-	-	-	-	-
Built under cover	WMZ2420	-	-	-	-	-
Stacking kit	WTZ2741X	-	-	•	-	-
Stacking kit with pull-out shelf	WTZ2742X	-	-	•	-	-
Stacking kit	WTZ27510	•	-	-	-	-
Stacking kit with pull-out shelf	WTZ27500	•	-	-	-	-
Stacking kit	WTZ2741C	-	•	-	-	-


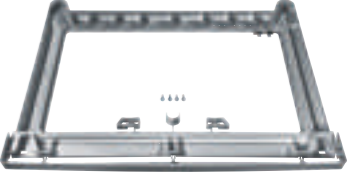


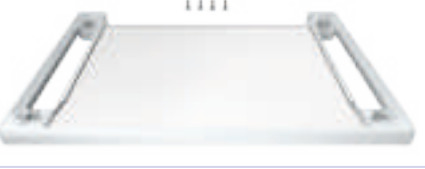

  

DESCRIPTION	Accessory Nr.	WPG23108GB	WTH85223GB	WTN83203GB	WTH84001GB	WTN83202GB
Stacking kit	WTZ20410	•	•	•	•	•
Stacking kit with pull-out shelf	WTZ11400	•	•	•	•	•
Stacking kit	WTZ27410	-	-	-	-	-
Stacking kit with pull-out shelf	WTZ27400	-	-	-	-	-
Condenser drainage kit	WTZ1110	-	-	-	-	-
Floor securing component	WMZ2200	-	-	-	-	-
Extension for cold water inlet/AquaStop	WMZ2381	-	-	-	-	-
Built under cover	WMZ2420	-	-	-	-	-
Stacking kit	WTZ2741X	-	-	-	-	-
Stacking kit with pull-out shelf	WTZ2742X	-	-	-	-	-
Stacking kit	WTZ27510	-	-	-	-	-
Stacking kit with pull-out shelf	WTZ27500	-	-	-	-	-
Stacking kit	WTZ2741C	-	-	-	-	-

## Freestanding accessories

LAUNDRY ACCESSORIES	Image	Model
Stacking kit		WTZ20410
Stacking kit (pull-out shelf)		WTZ11400
Stacking kit		WTZ27410
Stacking kit (pull-out shelf)		WTZ27400
Condenser drainage kit		WTZ1110
Floor securing component		WMZ2200
Extension for cold water inlet/ AquaStop		WMZ2381

LAUNDRY ACCESSORIES	Image	Model
Built under cover		WMZ2420
Stacking kit		WTZ2741X
Stacking kit with pull-out shelf		WTZ2742X
Stacking kit		WTZ27510
Stacking kit with pull-out shelf		WTZ27500
Stacking kit		WTZ2741C

# Introducing the Bosch dishwasher range

TO FIND OUT MORE ABOUT OUR BOSCH DISHWASHER RANGE, PLEASE SCAN THE QR CODE BELOW:



Our built-in and freestanding dishwashers offer a range of advanced technologies and additional options across the range to suit your individual requirements. To help you choose the right Bosch dishwasher, we have divided them into the four ranges below.

Model shown: SMV6ZCX10G

## Series 8

Our **Series 8** range combines cutting-edge design and advanced technology. The **PerfectDry** function absorbs moisture before releasing it as hot air for energy-efficient drying. Exceptionally quiet, offering additional storage and flexible loading solutions our **Series 8** dishwasher is a perfect solution for busy households.

## Series 6

Our **Series 6** range comes packed with technology, from energy and water-saving modes to quick washes for when time is at a premium. They also feature our clever **PerfectDry** technology and handy features such as **Max Flex** baskets, **Extra Clean Zone** and **Efficient Dry**.

## Series 4

Our **Series 4** range of models offers great value for money but does not compromise on Bosch build quality. They combine advanced energy and resource saving features, such as **Efficient Dry**. In addition, they offer **Vario Flex** baskets with foldable racks in the top and bottom baskets.

## Series 2

Our **Series 2** dishwashers offer you the classic design with easy operation. They are the optimal solution for anyone who wants a reliable appliance with good value for money.

## Drying options.



### The dish dryer among dishwashers.

A clever function that dries everything to perfection. And we do mean everything – plates, pans, glasses and all plastic items. Everything will be completely clean and perfectly dry, so you'll never have to pick up a tea towel to finish the job again.

The technology behind **PerfectDry** (unique to Bosch), is called **Zeolith**®. It is a process applied to every cycle that uses naturally occurring minerals that heat up when they come into contact with water. Clever **Zeolith**® beads transform humidity into warm air that speeds up the drying process. The warm air is then distributed evenly over the load.

So if you need a wash with brilliant drying results, it's time to choose Bosch.

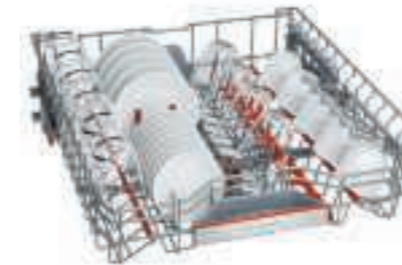


Want your dishes extra dry? No problem. This function gives you even more drying power when you need it. Just choose the Extra Dry option and more heat will be created to extend your load's drying cycle.



Automatically opens your dishwasher door, offering better drying results compared to a closed door (after 30 minutes). Select this feature via the Home Connect app, available on all programmes except pre-rinse and machine care.

## Choose the right basket flexibility options for your dishwashing needs.



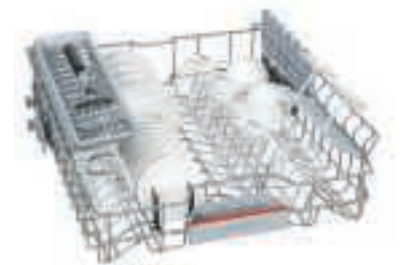
### Max Flex Pro

Stainless steel fascias.  
Colour touch points as standard.  
Top rack flexible areas: 6  
Bottom basket flexible areas: 8



### Max Flex

Brand coloured plastic fascias.  
Options with and without colour touch points. Top rack flexible areas: 2  
Bottom basket flexible areas: 6



### Vario Flex

Grey plastic fascias.  
Top rack flexible areas: 2  
Bottom basket flexible areas: 4

## Get more with Home Connect

Available on all dishwashers\*

To stay at their best, different dishes and glassware need to be washed in different ways. With the Bosch Home Connect app, simply tell your dishwasher what's in the load and it'll work out the perfect programme. Use your voice to start your dishwasher or even find out how long before your dishes are ready. You can even link your Home Connect-enabled dishwasher with the Smart Finish auto-replenishment service to ensure you never run out of dishwasher tablets again.

TO FIND OUT MORE ABOUT HOME CONNECT FEATURES, PLEASE SCAN THE QR CODE BELOW:



### Silence & Speed On Demand Intelligent Programme

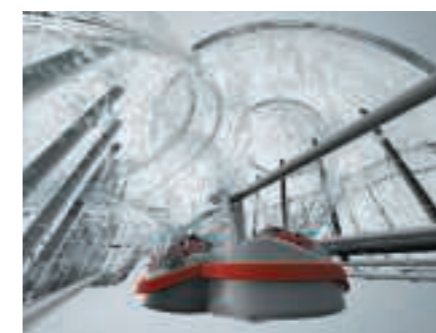
Use your Home Connect app or Amazon Alexa to tell your dishwasher to be quiet or faster.

Our intelligent programme adapts itself for your maximum satisfaction. After 3 cycles, you will be prompted to leave your feedback on the cleanliness, drying or length of the programme, or you can do so manually after every cycle.

### Programme Assistant

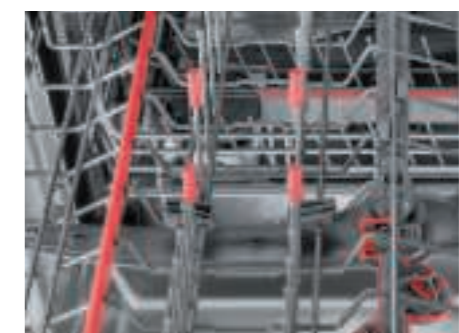
Use Programme Assistant to tell your dishwasher what it's washing and how you want it cleaned. Home Connect will then recommend the ideal programme, ensuring the optimum amount of water and energy is used every time.

\*apart from these models: SMS26AW08G & SMS26AI08G.



### Extra Clean Zone

Extra thorough cleaning for heavily soiled items in the upper basket. This intensive zone doesn't need higher temperatures, it uses 3 jets to clean those stubborn items. So no more pre-soaking before going into the dishwasher!



### Glassware support with smooth gliding baskets

New anti-slip elements and stemware support within the upper basket will give extra protection to all glassware. Baskets will glide effortlessly along the internal brackets, thanks to our new pull out systems.

# Freestanding dishwashers

# Built-in dishwashers

## Available sizes:



60cm



45cm



Compact

TO FIND OUT MORE ABOUT OUR FREESTANDING DISHWASHER RANGE, PLEASE SCAN THE QR CODE BELOW:



## Available sizes:



60cm



45cm

TO FIND OUT MORE ABOUT OUR BUILT-IN DISHWASHER RANGE, PLEASE SCAN THE QR CODE:



### Vario Hinge.

The innovative Vario Hinge system is the optimal solution for challenging built-in dishwashers. In kitchens with a low plinth (<90mm) and extra long furniture fronts, the door and appliances might collide into each other. With Vario Hinge, the furniture front slides up so the door opens perfectly without collision. This ensures perfect design of a fully integrated kitchen. Vario Hinge is available in Series 4, in 81.5cm height.



## Different types of control.

Series 6



LED Display with touch control



LED Display with button control

Series 4



LED Display with button control

Series 2



LED Display with toggle control

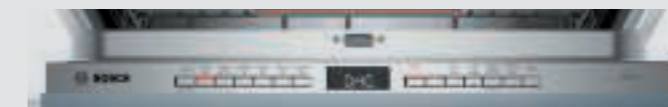
## Different types of control.



Grey touch control with LCD display



Grey touch control with LED display



Stainless steel push button control with LED display



Black toggle control with LED display

## Dishwasher functions explained.

Check model for available functions.



**Extra Dry**  
Want your dishes extra dry? No problem. This function gives you even more drying power when you need it. Just choose the Extra Dry option and more heat will be created to extend your load's drying cycle.



**PerfectDry**  
PerfectDry uses Zeolith® technology that's applied to every cycle, which uses minerals that heat up when they come in contact with water. This clever function dries everything to perfection – from plates and pans to all plastic items.



**Efficient Dry**  
Efficient Dry automatically opens your dishwasher door, offering better drying results compared to a closed door (after 30 minutes). Select this feature via the Home Connect app, available on all programmes except pre-rinse and machine care.



**SpeedPerfect+**  
Our SpeedPerfect+ option reduces programme times without compromising on quality. So you still get hygienically clean and dry dishes but the duration of the cycle could be reduced by up to half the time\* – ideal for busy households and entertaining.  
\*Except: Prewash, Express 45° and Express 65° programme.



**Place Settings**  
A selection of our dishwashers will hold up to 14 place settings in one load – perfect for larger households.



**Self-cleaning filters**  
Self-cleaning filter system, with spray arms designed to direct water at the filters on every rotation.  
Please note, self-cleaning filters are designed to keep filters clear during the washing cycle. Regular filter cleaning and maintenance is still recommended.



**Dosage Assist**  
Get the most out of your detergent with Dosage Assist; a small area at the front of the top basket that catches the tablet when it's released during the cycle. It controls how the tablet is dissolved for optimum performance.



**Duo Power**  
Our 45cm models feature a twin spray arm in the top basket to ensure perfect water coverage every time.



**Active Water**  
Save water with every load and only use the right amount of water needed for each load.



**Time Light**  
Bosch dishwashers are so quiet sometimes it's hard to tell whether they are on or off, especially on fully-integrated models where there is no visible control panel. The Time Light indicates the programme status and time remaining onto any floor surface.



**Info Light**  
Coloured light beam projects onto the floor when the machine cycle is started, and turns off when finished.



**Emotion Light**  
Lights up the dishwasher cavity with 2 white LED lights.



**Door Open Assist**  
With Open Assist you can open fully integrated dishwashers by simply touching the front of the unit. This partially opens the door, making it easy to load and unload the dishwasher. The handle-free dishwasher door is the optimal choice for modern design kitchens with matching-style unit fronts. Activate the electronic child lock for the door to make this a double push to open.

**Machine care.**  
Your dishwasher will look after itself with this smart function. Optimising the water and energy consumption, it works on a short run time of 80-90 minutes at high temperatures. It eliminates lime and grease deposits inside the dishwasher and works with a standard machine-care detergent. On selected Series 8 and Series 6 models, it will even remind you to run the programme every 30 cycles.

**Whisper quiet washing.**  
Bosch dishwashers are amongst the quietest in the world. With the revolutionary **Eco Silence Drive™** there are dishwashers in the range which operate as low as 40 decibels, when the Silence programme is selected.

**10 year anti-rust warranty\*.**  
Our appliances are made from top quality materials and in addition to our standard appliance warranty, we provide a free of charge warranty against rusting-through of the dishwasher's inner cavity.  
\*T&Cs apply. Registration required.



FULLY INTEGRATED 60CM			
TYPE	FULLY INTEGRATED 60CM		
DESIGN FAMILY	SERIES 8	SERIES 6	SERIES 6
MODEL	SMD8YCX03G	SMD6YCX01G	SMD6ZCX60G
Control panel colour	Grey	Stainless steel	Grey
Height (cm) / Hinge type	81.5 / Fixed	81.5 / Fixed	81.5 / Fixed
<b>DESIGN FEATURES</b>			
Drying system	PerfectDry Zeolith® / Efficient Dry	PerfectDry Zeolith® / Efficient Dry	PerfectDry Zeolith®
Home Connect	●	●	●
Control panel type	Touch control + TFT	Touch control + LED	Touch control + LED
Basket description	Max Flex Pro	Max Flex	Max Flex
Vario Drawer	Vario Drawer	Vario Drawer	Vario Drawer
Extra Clean Zone	●	●	●
Status indicator	Time Light (White)	Time Light (White)	Time Light (White)
Door open assist	●	●	●
Glass care technology	●	●	●
Anti-slip protection / stemware support upper basket	● / ●	● / ●	● / ●
Adjustable upper basket	3-stage Rackmatic™	3-stage Rackmatic™	3-stage Rackmatic™
Number of flip tines in upper / lower basket	6 / 8	2 / 6	2 / 6
Cup shelves upper / lower baskets	2 / 2	2 / 2	2 / 2
Cutlery holder lower basket	-	-	-
Largest loadable dish upper / lower basket (cm)	21 / 30	21 / 30	21 / 30
Aqua sensor	●	●	●
Real-time clock	●	-	-
Start delay time max hours	24	24	24
Emotion light (interior lighting)	●	-	-
End of cycle indicator	Acoustic	Acoustic	Acoustic
Salt / Rinse aid light indicator	● / ●	● / ●	● / ●
Self cleaning filter system	●	●	●
Flood protection system	Aqua Stop 24h	Aqua Stop 24h	Aqua Stop 24h
Safety features	Door lock	Door lock	Door lock
<b>PROGRAMMES / FUNCTIONS</b>			
List of programmes	Intelligent 40°C, Eco 50°C, Intensive 70°C, Auto 45-65°C, Express 60°C, Glass 40°C, Silence 50°C, Favourite, Machine Care	Intelligent 40°C, Eco 50°C, Intensive 70°C, Auto 45-65°C, Express 60°C, Glass 40°C, Silence 50°C, Favourite, Machine Care	Eco 50°C, Intensive 70°C, Auto 45-65°C, Express 60°C, Express 45°C, Glass 40°C, Silence 50°C, Favourite, Machine Care
Additional special options	Remote Start, Extra Dry, Intensive Zone, Hygiene+, SpeedPerfect+	Remote Start, Extra Dry, Half Load, SpeedPerfect+	Remote Start, Extra Dry, Intensive Zone, SpeedPerfect+
<b>TECHNICAL SPECIFICATIONS</b>			
Reference programme for measurements	Eco 50°C	Eco 50°C	Eco 50°C
Energy efficiency class <sup>1</sup>	A	A	C
Energy <sup>2</sup> / water <sup>3</sup> : kWh / litres	54 / 9.5	54 / 9.5	74 / 7.7
Load capacity (place settings)	14	14	13
Programme duration <sup>4</sup> : h:min	4:55	4:55	3:45
Noise level: dB (A) re 1 pW	44	44	44
Noise efficiency class	B	B	B
Noise level (silence programme): dB (A) re 1 pW	43	43	42
Length of electrical supply cord (cm)	175	175	175
Length inlet / outlet hose (cm)	165 / 190	165 / 190	165 / 190
Maximum height for installation (mm)	875	875	875
Maximum height adjustability feet (mm)	60	60	60
Maximum width for installation (mm)	600	600	600
Width / Depth of the product (mm)	598 / 550	598 / 550	598 / 550
Net weight / Gross weight (kg)	45 / 47	43 / 45	43 / 45
Water softener <sup>5</sup>	●	●	●
Maximum accepted water hardness (°DH)	50	50	50
Maximum temperature for water intake (°C)	60	60	60
Interior cavity	Stainless steel	Stainless steel	Stainless steel
Included accessories	Steam protection plate	Steam protection plate	Steam protection plate

● Yes, model has this feature - No, model does not have this feature

<sup>1</sup> On an energy-efficiency class scale from A to G

<sup>2</sup> Energy consumption in kWh/100 operating cycles (using Eco programme)

<sup>3</sup> Water consumption in litres/operating cycle (using Eco programme)

<sup>4</sup> Duration of Eco programme

<sup>5</sup> We would recommend our dishwashers are connected to the mains water supply where possible. However, they may also be connected to an external water softener as long as the water softener produces softened water of less than 1.1 mmol/litre (7.0°e) and the water softener in the appliance is turned off. Please contact product advice for further information. Water pressure required: 0.5-10 Bar. Flow rate: 10 litres per minute. Inlet valve connected directly to ¾" screwed joint.

5 year warranty - Offer dates 01.04.24 - 31.03.25. T&C's apply. Online registration required. Selected models only.

Data valid in this table as of April 2024. Subject to modification without prior notice.



FULLY INTEGRATED 60CM			
TYPE	FULLY INTEGRATED 60CM		
DESIGN FAMILY	SERIES 6	SERIES 4	SERIES 4
MODEL	SMV6ZCX10G	SMV4ECX23G	SMV4EAX23G
Control panel colour	Stainless steel	Stainless steel	Stainless steel
Height (cm) / Hinge type	81.5 / Fixed	81.5 / Fixed	81.5 / Fixed
<b>DESIGN FEATURES</b>			
Drying system	PerfectDry Zeolith®	Efficient Dry / Heat exchanger	Efficient Dry / Heat exchanger
Home Connect	●	●	●
Control panel type	Push buttons + LED	Push buttons + LED	Push buttons + LED
Basket description	Vario Flex	Vario Flex	Vario Flex
Vario Drawer	Vario Drawer	Vario Drawer	-
Extra Clean Zone	-	-	-
Status indicator	Time Light (White)	Info Light (Red)	Info Light (Red)
Door open assist	-	-	-
Glass care technology	●	●	●
Anti-slip protection / stemware support upper basket	- / -	- / -	- / -
Adjustable upper basket	3-stage Rackmatic™	3-stage Rackmatic™	3-stage Rackmatic™
Number of flip tines in upper / lower basket	2 / 4	2 / 4	2 / 4
Cup shelves upper / lower baskets	2 / -	2 / 2	2 / -
Cutlery holder lower basket	-	-	●
Largest loadable dish upper / lower basket (cm)	21 / 30	21 / 30	27 / 30
Aqua sensor	●	●	●
Real-time clock	-	-	-
Start delay time max hours	24	24	24
Emotion light (interior lighting)	-	-	-
End of cycle indicator	Acoustic	Acoustic	Acoustic
Salt / Rinse aid light indicator	● / ●	● / ●	● / ●
Self cleaning filter system	●	●	●
Flood protection system	Aqua Stop 24h	Aqua Stop 24h	Aqua Stop 24h
Safety features	Door lock	Door lock	Door lock
<b>PROGRAMMES / FUNCTIONS</b>			
List of programmes	Eco 50°C, Intensive 70°C, Auto 45-65°C, Express 60°C, Silence 50°C, Favourite, Machine Care	Eco 50°C, Intensive 70°C, Auto 45-65°C, Express 65°C, Silence 50°C, Favourite, Machine Care	Eco 50°C, Intensive 70°C, Auto 45-65°C, Express 65°C, Silence 50°C, Favourite, Machine Care
Additional special options	Remote Start, Extra Dry, Half Load, SpeedPerfect+	Remote Start, Extra Dry, Half Load, SpeedPerfect+	Remote Start, Efficient Dry, Half Load, SpeedPerfect+
<b>TECHNICAL SPECIFICATIONS</b>			
Reference programme for measurements	Eco 50°C	Eco 50°C	Eco 50°C
Energy efficiency class <sup>1</sup>	B	C	C
Energy <sup>2</sup> / water <sup>3</sup> : kWh / litres	65 / 9	75 / 9	74 / 9
Load capacity (place settings)	14	14	13
Programme duration <sup>4</sup> : h:min	3:35	3:20	3:20
Noise level: dB (A) re 1 pW	40	40	40
Noise efficiency class	B	B	B
Noise level (silence programme): dB (A) re 1 pW	39	39	39
Length of electrical supply cord (cm)	175	175	175
Length inlet / outlet hose (cm)	165 / 190	165 / 190	165 / 190
Maximum height for installation (mm)	875	875	875
Maximum height adjustability feet (mm)	60	60	60
Maximum width for installation (mm)	600	600	600
Width / Depth of the product (mm)	598 / 550	598 / 550	598 / 550
Net weight / Gross weight (kg)	46 / 48	35 / 37	34 / 36
Water softener <sup>5</sup>	●	●	●
Maximum accepted water hardness (°DH)	50	50	50
Maximum temperature for water intake (°C)	60	60	60
Interior cavity	Stainless steel	Stainless steel	Stainless steel
Included accessories	Steam protection plate	Steam protection plate	Steam protection plate

● Yes, model has this feature - No, model does not have this feature

<sup>1</sup> On an energy-efficiency class scale from A to G

<sup>2</sup> Energy consumption in kWh/100 operating cycles (using Eco programme)

<sup>3</sup> Water consumption in litres/operating cycle (using Eco programme)

<sup>4</sup> Duration of Eco programme

<sup>5</sup> We would recommend our dishwashers are connected to the mains water supply where possible. However, they may also be connected to an external water softener as long as the water softener produces softened water of less than 1.1 mmol/litre (7.0°e) and the water softener in the appliance is turned off. Please contact product advice for further information. Water pressure required: 0.5-10 Bar. Flow rate: 10 litres per minute. Inlet valve connected directly to ¾" screwed joint.

5 year warranty - Offer dates 01.04.24 - 31.03.25. T&C's apply. Online registration required. Selected models only.

Data valid in this table as of April 2024. Subject to modification without prior notice.





Available July 2024

TYPE	FULLY INTEGRATED 60CM		
DESIGN FAMILY	SERIES 4	SERIES 4	SERIES 4
MODEL	SBH4HVX00G	SMH4HVX00G	SMV4HVX00G
Control panel colour	Stainless steel	Stainless steel	Stainless steel
Height (cm) / Hinge type	86.5 / Vario Hinge	81.5 / Vario Hinge	81.5 / Fixed
<b>DESIGN FEATURES</b>			
Drying system	Heat exchanger	Heat exchanger	Heat exchanger
Home Connect	●	●	●
Control panel type	Push buttons + LED	Push buttons + LED	Push buttons + LED
Basket description	Vario Flex	Vario Flex	Vario Flex
Vario Drawer	Vario Drawer	Vario Drawer	Vario Drawer
Extra Clean Zone	-	-	-
Status indicator	Info Light (Red)	Info Light (Red)	Info Light (Red)
Door open assist	-	-	-
Glass care technology	●	●	●
Anti-slip protection / stemware support upper basket	-/-	-/-	-/-
Adjustable upper basket	3-stage Rackmatic™	3-stage Rackmatic™	3-stage Rackmatic™
Number of flip times in upper / lower basket	2 / 4	2 / 4	2 / 4
Cup shelves upper / lower baskets	2 / -	2 / -	2 / -
Cutlery holder lower basket	-	-	-
Largest loadable dish upper / lower basket (cm)	23 / 33	21 / 30	21 / 30
Aqua sensor	●	●	●
Real-time clock	-	-	-
Start delay time max hours	24	24	24
Emotion light (interior lighting)	-	-	-
End of cycle indicator	Acoustic	Acoustic	Acoustic
Salt / Rinse aid light indicator	● / ●	● / ●	● / ●
Self cleaning filter system	●	●	●
Flood protection system	Aqua Stop 24h	Aqua Stop 24h	Aqua Stop 24h
Safety features	Door lock	Door lock	Door lock

PROGRAMMES / FUNCTIONS	SERIES 4	SERIES 4	SERIES 4
List of programmes	Eco 50°C, Intensive 70°C, Auto 45-65°C, Express 65°C, Glass 40°C, Favourite, Machine Care	Eco 50°C, Intensive 70°C, Auto 45-65°C, Express 65°C, Glass 40°C, Favourite, Machine Care	Eco 50°C, Intensive 70°C, Auto 45-65°C, Express 65°C, Glass 40°C, Favourite, Machine Care
Additional special options	Remote Start, Extra Dry, Half Load, SpeedPerfect+	Remote Start, Extra Dry, Half Load, SpeedPerfect+	Remote Start, Extra Dry, Half Load, SpeedPerfect+

TECHNICAL SPECIFICATIONS	SERIES 4	SERIES 4	SERIES 4
Reference programme for measurements	Eco 50 °C	Eco 50 °C	Eco 50 °C
Energy efficiency class <sup>1</sup>			
Energy <sup>2</sup> / water <sup>3</sup> : kWh / litres	85 / 9	85 / 9	84 / 9
Load capacity (place settings)	14	14	14
Programme duration <sup>4</sup> : h:min	4:30	4:30	4:30
Noise level: dB (A) re 1 pW	46	46	46
Noise efficiency class	C	C	C
Noise level (silence programme): dB (A) re 1 pW	-	-	-
Length of electrical supply cord (cm)	175	175	175
Length inlet / outlet hose (cm)	165 / 190	165 / 190	165 / 190
Maximum height for installation (mm)	925	875	875
Maximum height adjustability feet (mm)	60	60	60
Maximum width for installation (mm)	600	600	600
Width / Depth of the product (mm)	598 / 550	598 / 550	598 / 550
Net weight / Gross weight (kg)	35 / 39	35 / 39	33 / 37
Water softener <sup>5</sup>	●	●	●
Maximum accepted water hardness (°DH)	50	50	50
Maximum temperature for water intake (°C)	60	60	60
Interior cavity	Stainless steel / Polinox base	Stainless steel / Polinox base	Stainless steel / Polinox base
Included accessories	Steam protection plate	Steam protection plate	Steam protection plate

● Yes, model has this feature - No, model does not have this feature

<sup>1</sup> On an energy-efficiency class scale from A to G

<sup>2</sup> Energy consumption in kWh/100 operating cycles (using Eco programme)

<sup>3</sup> Water consumption in litres/operating cycle (using Eco programme)

<sup>4</sup> Duration of Eco programme

<sup>5</sup> We would recommend our dishwashers are connected to the mains water supply where possible. However, they may also be connected to an external water softener as long as the water softener produces softened water of less than 1.1 mmol/litre (7.0°e) and the water softener in the appliance is turned off. Please contact product advice for further information. Water pressure required: 0.5-10 Bar. Flow rate: 10 litres per minute. Inlet valve connected directly to ¾" screwed joint.

5 year warranty - Offer dates 01.04.24 - 31.03.25. T&C's apply. Online registration required. Selected models only.

Data valid in this table as of April 2024. Subject to modification without prior notice.

TYPE	FULLY INTEGRATED 60CM		
DESIGN FAMILY	SERIES 4	SERIES 4	SERIES 2
MODEL	SMV4HTX00G	SMH4HTX02G	SMV2HTX02G
Control panel colour	Stainless steel	Stainless steel	Black
Height (cm) / Hinge type	81.5 / Fixed	81.5 / Vario Hinge	81.5 / Fixed
<b>DESIGN FEATURES</b>			
Drying system	Heat exchanger	Heat exchanger	Heat exchanger
Home Connect	●	●	●
Control panel type	Push buttons + LED	Push buttons + LED	Toggle control + LED
Basket description	Vario Flex	Vario	Normal
Vario Drawer	-	-	-
Extra Clean Zone	-	-	-
Status indicator	Info Light (Red)	Info Light (Red)	Info Light (Red)
Door open assist	-	-	-
Glass care technology	●	●	●
Anti-slip protection / stemware support upper basket	-/-	-/-	-/-
Adjustable upper basket	3-stage Rackmatic™	Adjustable when empty	-
Number of flip times in upper / lower basket	2 / 4	- / 2	-
Cup shelves upper / lower baskets	2 / -	2 / -	2 / -
Cutlery holder lower basket	●	●	●
Largest loadable dish upper / lower basket (cm)	27 / 30	27 / 30	22 / 30
Aqua sensor	●	●	●
Real-time clock	-	-	-
Start delay time max hours	24	24	9
Emotion light (interior lighting)	-	-	-
End of cycle indicator	Acoustic	Acoustic	Acoustic
Salt / Rinse aid light indicator	● / ●	● / ●	● / ●
Self cleaning filter system	●	●	●
Flood protection system	Aqua Stop 24h	Aqua Stop 24h	Aqua Stop 24h
Safety features	Door lock	Door lock	Door lock

PROGRAMMES / FUNCTIONS	SERIES 4	SERIES 4	SERIES 2
List of programmes	Eco 50°C, Intensive 70°C, Auto 45-65°C, Express 65°C, Glass 40°C, Favourite, Machine Care	Eco 50°C, Intensive 70°C, Express 65°C, Auto 45-65°C, Glass 40°C, Favourite, Machine Care	Eco 50°C, Intensive 70°C, Auto 45-65°C, Express 65°C, Favourite, Machine Care
Additional special options	Remote Start, Extra Dry, Half Load, SpeedPerfect+	Remote Start, Extra Dry, Half Load, SpeedPerfect+	Remote Start, Extra Dry, Half Load, SpeedPerfect+

TECHNICAL SPECIFICATIONS	SERIES 4	SERIES 4	SERIES 2
Reference programme for measurements	Eco 50 °C	Eco 50 °C	Eco 50 °C
Energy efficiency class <sup>1</sup>			
Energy <sup>2</sup> / water <sup>3</sup> : kWh / litres	84 / 9	84 / 9	84 / 9
Load capacity (place settings)	13	13	13
Programme duration <sup>4</sup> : h:min	4:30	4:30	4:30
Noise level: dB (A) re 1 pW	46	46	46
Noise efficiency class	C	C	C
Noise level (silence programme): dB (A) re 1 pW	-	-	-
Length of electrical supply cord (cm)	175	175	175
Length inlet / outlet hose (cm)	165 / 190	165 / 190	165 / 190
Maximum height for installation (mm)	875	875	875
Maximum height adjustability feet (mm)	60	60	60
Maximum width for installation (mm)	600	600	600
Width / Depth of the product (mm)	598 / 550	598 / 550	598 / 550
Net weight / Gross weight (kg)	32 / 36	33 / 35	30 / 33
Water softener <sup>5</sup>	●	●	●
Maximum accepted water hardness (°DH)	50	50	50
Maximum temperature for water intake (°C)	60	60	60
Interior cavity	Stainless steel / Polinox base	Stainless steel / Polinox base	Stainless steel / Polinox base
Included accessories	Steam protection plate	Steam protection plate	Steam protection plate

● Yes, model has this feature - No, model does not have this feature

<sup>1</sup> On an energy-efficiency class scale from A to G

<sup>2</sup> Energy consumption in kWh/100 operating cycles (using Eco programme)

<sup>3</sup> Water consumption in litres/operating cycle (using Eco programme)

<sup>4</sup> Duration of Eco programme

<sup>5</sup> We would recommend our dishwashers are connected to the mains water supply where possible. However, they may also be connected to an external water softener as long as the water softener produces softened water of less than 1.1 mmol/litre (7.0°e) and the water softener in the appliance is turned off. Please contact product advice for further information. Water pressure required: 0.5-10 Bar. Flow rate: 10 litres per minute. Inlet valve connected directly to ¾" screwed joint.

5 year warranty - Offer dates 01.04.24 - 31.03.25. T&C's apply. Online registration required. Selected models only.

Data valid in this table as of April 2024. Subject to modification without prior notice.

# 60cm dishwashers



Discontinued December 2024

TYPE	FULLY INTEGRATED 60CM	SEMI INTEGRATED 60CM	SEMI INTEGRATED 60CM
DESIGN FAMILY	SERIES 2	SERIES 2	SERIES 2
MODEL	SMV2ITX18G	SMI2HTS02G	SMI2HTB02G
Control panel	Black	Stainless Steel	Black
Height (cm) / Hinge type	81.5 / Fixed	81.5 / Fixed	81.5 / Fixed
<b>DESIGN FEATURES</b>			
Drying system	Inherent heat	Heat exchanger	Heat exchanger
Home Connect	●	●	●
Control panel type	Toggle control + LED	Toggle control + LED	Toggle control + LED
Basket description	Normal	Vario	Vario
Vario Drawer	-	-	-
Extra Clean Zone	-	-	-
Status indicator	Info Light (Red)	-	-
Door open assist	-	-	-
Glass care technology	●	●	●
Anti-slip protection / stemware support upper basket	- / -	- / -	- / -
Adjustable upper basket	-	Adjustable when empty	Adjustable when empty
Number of flip times in upper / lower basket	-	- / 2	- / 2
Cup shelves upper / lower baskets	2 / -	2 / -	2 / -
Cutlery holder lower basket	●	●	●
Largest loadable dish upper / lower basket (cm)	22 / 30	27 / 30	27 / 30
Aqua sensor	●	●	●
Real-time clock	-	-	-
Start delay time max hours	9	24	24
Emotion light (interior lighting)	-	-	-
End of cycle indicator	Acoustic	-	-
Salt / Rinse aid light indicator	● / ●	● / ●	● / ●
Self cleaning filter system	●	●	●
Flood protection system	Aqua Stop 24h	Aqua Stop 24h	Aqua Stop 24h
Safety features	Door lock	Control panel lock / door lock	Control panel lock / door lock
<b>PROGRAMMES / FUNCTIONS</b>			
List of programmes	Eco 50°C, Intensive 70°C, Auto 45-65°C, Express 65°C, Favourite, Machine Care	Eco 50°C, Intensive 70°C, Auto 45-65°C, Express 65°C, Favourite, Machine Care	Eco 50°C, Intensive 70°C, Auto 45-65°C, Express 65°C, Favourite, Machine Care
Additional operational options	Remote Start, Extra Dry, Half Load, SpeedPerfect	Remote Start, Extra Dry, Half Load	Remote Start, Extra Dry, Half Load
<b>TECHNICAL SPECIFICATIONS</b>			
Reference programme for measurements	Eco 50°C	Eco 50°C	Eco 50°C
Energy efficiency class <sup>1</sup>	A E	A D	A D
Energy <sup>2</sup> / water <sup>3</sup> : kWh / litres	92 / 10.5	84 / 9	84 / 9
Load capacity (place settings)	12	13	13
Programme duration <sup>4</sup> : h:min	4:30	4:30	4:30
Noise level: dB (A) re 1 pW	48	46	46
Noise efficiency class	C	C	C
Noise level (silence programme): dB (A) re 1 pW	-	-	-
Length of electrical supply cord (cm)	175	175	175
Length inlet / outlet hose (cm)	165 / 190	165 / 190	165 / 190
Maximum height for installation (mm)	875	875	875
Maximum height adjustability feet (mm)	60	60	60
Maximum width for installation (mm)	600	600	600
Width / Depth of the product (mm)	598 / 550	598 / 573	598 / 573
Net weight / Gross weight (kg)	31 / 33	31 / 34	31 / 34
Water softener <sup>5</sup>	●	●	●
Maximum accepted water hardness (°DH)	35	50	50
Maximum temperature for water intake (°C)	60	60	60
Interior cavity	Stainless steel / Polinox base	Stainless steel / Polinox base	Stainless steel / Polinox base
Included accessories	Steam protection plate	Steam protection plate	Steam protection plate

● Yes, model has this feature - No, model does not have this feature

<sup>1</sup> On an energy-efficiency class scale from A to G

<sup>2</sup> Energy consumption in kWh/100 operating cycles (using Eco programme)

<sup>3</sup> Water consumption in litres/operating cycle (using Eco programme)

<sup>4</sup> Duration of Eco programme

<sup>5</sup> We would recommend our dishwashers are connected to the mains water supply where possible. However, they may also be connected to an external water softener as long as the water softener produces softened water of less than 1.1 mmol/litre (7.0°e) and the water softener in the appliance is turned off. Please contact product advice for further information. Water pressure required: 0.5-10 Bar. Flow rate: 10 litres per minute. Inlet valve connected directly to "x" screwed joint.

Data valid in this table as of April 2024. Subject to modification without prior notice.

5 year warranty - Offer dates 01.04.24 – 31.03.25. T&C's apply. Online registration required. Selected models only.

# 45cm dishwashers



TYPE	FULLY INTEGRATED 45CM	FULLY INTEGRATED 45CM
DESIGN FAMILY	SERIES 4	SERIES 2
MODEL	SPV4EMX25G	SPV2HKX42G
Control panel	Stainless steel	Black
Height (cm) / Hinge type	81.5 / Fixed	81.5 / Fixed
<b>DESIGN FEATURES</b>		
Drying system	Efficient Dry / Heat exchanger	Heat exchanger
Home Connect	●	●
Control panel type	Push buttons + LED	Toggle control + LED
Basket description	Vario Flex	Vario
Vario Drawer	Vario Drawer	-
Extra Clean Zone	-	-
Status indicator	Time Light (White)	Info Light (Red)
Door open assist	-	-
Glass care technology	●	●
Anti-slip protection / stemware support upper basket	● / -	- / -
Adjustable upper basket	3-stage Rackmatic™	Adjustable when empty
Number of flip times in upper / lower basket	2 / 2	- / 2
Cup shelves upper / lower baskets	1 / 1	2 / -
Cutlery holder lower basket	-	●
Largest loadable dish upper / lower basket (cm)	21 / 30	27 / 30
Aqua sensor	●	●
Real-time clock	-	-
Start delay time max hours	24	9
Emotion light (interior lighting)	-	-
End of cycle indicator	Acoustic	Acoustic
Salt / Rinse aid light indicator	● / ●	● / ●
Self cleaning filter system	●	●
Flood protection system	Aqua Stop 24h	Aqua Stop 24h
Safety features	Door lock	Door lock
<b>PROGRAMMES / FUNCTIONS</b>		
List of programmes	Eco 50°C, Intensive 70°C, Auto 45-65°C, Express 65°C, Silence 50°C, Favourite, Machine Care	Eco 50°C, Intensive 70°C, Auto 45-65°C, Express 65°C, Favourite, Machine Care
Additional operational options	Remote Start, Efficient Dry, Intensive Zone, SpeedPerfect+	Remote Start, Extra Dry, SpeedPerfect+
<b>TECHNICAL SPECIFICATIONS</b>		
Reference programme for measurements	Eco 50°C	Eco 50°C
Energy efficiency class <sup>1</sup>	A C	A E
Energy <sup>2</sup> / water <sup>3</sup> : kWh / litres	59 / 8.9	76 / 8.9
Load capacity (place settings)	10	10
Programme duration <sup>4</sup> : h:min	3:15	3:40
Noise level: dB (A) re 1 pW	44	46
Noise efficiency class	B	C
Noise level (silence programme): dB (A) re 1 pW	42	-
Length of electrical supply cord (cm)	175	175
Length inlet / outlet hose (cm)	165 / 205	165 / 205
Maximum height for installation (mm)	875	875
Maximum height adjustability feet (mm)	60	60
Maximum width for installation (mm)	450	450
Width / Depth of the product (mm)	448 / 550	448 / 550
Net weight / Gross weight (kg)	31 / 32	31 / 32
Water softener <sup>5</sup>	●	●
Maximum accepted water hardness (°DH)	50	35
Maximum temperature for water intake (°C)	60	60
Interior cavity	Stainless steel	Stainless steel
Included accessories	Steam protection plate	Steam protection plate

● Yes, model has this feature - No, model does not have this feature

<sup>1</sup> On an energy-efficiency class scale from A to G

<sup>2</sup> Energy consumption in kWh/100 operating cycles (using Eco programme)

<sup>3</sup> Water consumption in litres/operating cycle (using Eco programme)

<sup>4</sup> Duration of Eco programme

<sup>5</sup> We would recommend our dishwashers are connected to the mains water supply where possible. However, they may also be connected to an external water softener as long as the water softener produces softened water of less than 1.1 mmol/litre (7.0°e) and the water softener in the appliance is turned off. Please contact product advice for further information. Water pressure required: 0.5-10 Bar. Flow rate: 10 litres per minute. Inlet valve connected directly to "x" screwed joint.

Data valid in this table as of April 2024. Subject to modification without prior notice.

5 year warranty - Offer dates 01.04.24 – 31.03.25. T&C's apply. Online registration required. Selected models only.



DISHWASHER TYPE	60CM DISHWASHERS		
DESIGN FAMILY	SERIES 6	SERIES 6	SERIES 6
MODEL	SMS6TCI01G	SMS6TCW01G	SMS6ZCI10G
Colour	Silver Inox	White	Silver Inox
<b>DESIGN FEATURES</b>			
Drying system	PerfectDry Zeolith® / Efficient Dry	PerfectDry Zeolith® / Efficient Dry	PerfectDry Zeolith®
Home Connect	●	●	●
Control panel type	Touch control + LED	Touch control + LED	Front button control + LED
Basket description	Max Flex	Max Flex	Vario Flex
Vario Drawer	Vario Drawer	Vario Drawer	Vario Drawer
Extra Clean Zone	●	●	-
Glass care technology	●	●	●
Anti-slip protection / stemware support upper basket	●/●	●/●	-/-
Adjustable upper basket	3-stage Rackmatic™	3-stage Rackmatic™	3-stage Rackmatic™
Number of flip tines in upper / lower basket	2 / 6	2 / 6	2 / 4
Cup shelves upper / lower baskets	2 / 2	2 / 2	2 / -
Cutlery holder lower basket	-	-	-
Largest loadable dish upper / lower basket (cm)	21 / 30	21 / 30	21 / 30
Aqua sensor	●	●	●
Real-time clock	-	-	-
Start delay time max hours	24	24	24
Time remaining indicator	●	●	●
Emotion light (interior lighting)	-	-	-
End of cycle indicator	-	-	-
Salt / Rinse aid light indicator	●/●	●/●	●/●
Self cleaning filter system	●	●	●
Single water protection	Internal	Internal	Internal
Safety features	Control panel lock, door lock	Control panel lock, door lock	Control panel lock, door lock

PROGRAMMES / FUNCTIONS	60CM DISHWASHERS		
List of programmes	Intelligent 40 °C, Eco 50°C, Auto 45-65°C, Intensive 70°C, Express 60°C, Glass 40°C, Silence 50°C, Favourite, Machine Care	Intelligent 40 °C, Eco 50°C, Auto 45-65°C, Intensive 70°C, Express 60°C, Glass 40°C, Silence 50°C, Favourite, Machine Care	Eco 50°C, Auto 45-65°C, Intensive 70°C, Express 60°C, Silence 50°C, Favourite, Machine Care
Additional special options	Remote Start, Extra Dry, Half Load, SpeedPerfect+	Remote Start, Extra Dry, Half Load, SpeedPerfect+	Remote Start, Extra Dry, Half Load, SpeedPerfect+

TECHNICAL SPECIFICATIONS	60CM DISHWASHERS		
Reference programme for measurements	Eco 50°C	Eco 50°C	Eco 50°C
Energy efficiency class <sup>1</sup>			
Energy <sup>2</sup> / water <sup>3</sup> (kWh / litres)	54 / 9.5	54 / 9.5	65 / 9
Load capacity (place settings)	14	14	14
Programme duration <sup>4</sup> (h:min)	4:55	4:55	3:35
Noise level (dB(A) re 1 pW)	44	44	40
Noise efficiency class	B	B	B
Noise level (silence programme) (dB(A) re 1 pW)	42	42	39
Maximum height adjustability feet (cm)	2	2	2
Depth with open door 90 degree (cm)	115.5	115.5	115.5
Length of electrical supply cord (cm)	175	175	175
Length inlet / outlet hose (cm)	165 / 190	165 / 190	165 / 190
Height of the product with removable top (cm)	84.5	84.5	84.5
Height of the product without removable top (cm)	81.5	81.5	81.5
Width / Depth of the product (cm)	60 / 60	60 / 60	60 / 60
Net weight / Gross weight (kg)	55 / 57	55 / 57	55 / 57
Water softener <sup>5</sup>	●	●	●
Maximum accepted water hardness (°DH)	50	50	50
Maximum temperature for water intake (°C)	60	60	60
Interior cavity	Stainless steel	Stainless steel	Stainless steel
Included accessories	-	-	-

● = Yes - = No  
<sup>1</sup>On an energy-efficiency class scale from A to G  
<sup>2</sup>Energy consumption in kWh/100 operating cycles (using Eco programme)  
<sup>3</sup>Water consumption in litres/operating cycle (using Eco programme)  
<sup>4</sup>Duration of Eco programme  
<sup>5</sup>We would recommend our dishwashers are connected to the mains water supply where possible. However, they may also be connected to an external water softener as long as the water softener produces softened water of less than 1.1 mmol/litre (7.0°e) and the water softener in the appliance is turned off. Please contact product advice for further information. Water pressure required: 0.5-10 Bar. Flow rate: 10 litres per minute. Inlet valve connected directly to ¾" screwed joint.  
**Data valid in this table as of April 2024.** Subject to modification without prior notice.

5 year warranty - Offer dates 01.04.24 - 31.03.25. T&C's apply. Online registration required. Selected models only.

Explore more at [bosch-home.co.uk](https://www.bosch-home.co.uk) / [bosch-home.ie](https://www.bosch-home.ie)

DISHWASHER TYPE	60CM DISHWASHERS		
DESIGN FAMILY	SERIES 6	SERIES 6	SERIES 4
MODEL	SMS6ZCW10G	SMS4EMI06G	SMS4EMW06G
Colour	White	Silver Inox	White
<b>DESIGN FEATURES</b>			
Drying system	PerfectDry Zeolith®	Efficient Dry / Heat exchanger	Efficient Dry / Heat exchanger
Home Connect	●	●	●
Control panel type	Front button control + LED	Front button control + LED	Front button control + LED
Basket description	Vario Flex	Vario Flex	Vario Flex
Vario Drawer	Vario Drawer	Vario Drawer	Vario Drawer
Extra Clean Zone	-	-	-
Glass care technology	●	●	●
Anti-slip protection / stemware support upper basket	-/-	-/-	-/-
Adjustable upper basket	3-stage Rackmatic™	3-stage Rackmatic™	3-stage Rackmatic™
Number of flip tines in upper / lower basket	2 / 4	2 / 4	2 / 4
Cup shelves upper / lower baskets	2 / -	2 / -	2 / -
Cutlery holder lower basket	-	-	-
Largest loadable dish upper / lower basket (cm)	21 / 30	21 / 30	21 / 30
Aqua sensor	●	●	●
Real-time clock	-	-	-
Start delay time max hours	24	24	24
Time remaining indicator	●	●	●
Emotion light (interior lighting)	-	-	-
End of cycle indicator	-	-	-
Salt / Rinse aid light indicator	●/●	●/●	●/●
Self cleaning filter system	●	●	●
Single water protection	Internal	Internal	Internal
Safety features	Control panel lock, door lock	Control panel lock, door lock	Control panel lock, door lock

PROGRAMMES / FUNCTIONS	60CM DISHWASHERS		
List of programmes	Eco 50°C, Auto 45-65°C, Intensive 70°C, Express 60°C, Silence 50°C, Favourite, Machine Care	Eco 50°C, Auto 45-65°C, Intensive 70°C, Express 65°C, Silence 50°C, Favourite, Machine Care	Eco 50°C, Auto 45-65°C, Intensive 70°C, Express 65°C, Silence 50°C, Favourite, Machine Care
Additional special options	Remote Start, Extra Dry, Half Load, SpeedPerfect+	Remote Start, Extra Dry, Half Load, SpeedPerfect+	Remote Start, Extra Dry, Half Load, SpeedPerfect+

TECHNICAL SPECIFICATIONS	60CM DISHWASHERS		
Reference programme for measurements	Eco 50°C	Eco 50°C	Eco 50°C
Energy efficiency class <sup>1</sup>			
Energy <sup>2</sup> / water <sup>3</sup> (kWh / litres)	65 / 9	65 / 9	65 / 9
Load capacity (place settings)	14	14	14
Programme duration <sup>4</sup> (h:min)	3:35	3:35	3:35
Noise level (dB(A) re 1 pW)	40	42	42
Noise efficiency class	B	B	B
Noise level (silence programme) (dB(A) re 1 pW)	39	41	41
Maximum height adjustability feet (cm)	2	2	2
Depth with open door 90 degree (cm)	115.5	115.5	115.5
Length of electrical supply cord (cm)	175	175	175
Length inlet / outlet hose (cm)	165 / 190	165 / 190	165 / 190
Height of the product with removable top (cm)	84.5	84.5	84.5
Height of the product without removable top (cm)	81.5	81.5	81.5
Width / Depth of the product (cm)	60 / 60	60 / 60	60 / 60
Net weight / Gross weight (kg)	55 / 57	47 / 52	47 / 52
Water softener <sup>5</sup>	●	●	●
Maximum accepted water hardness (°DH)	50	50	50
Maximum temperature for water intake (°C)	60	60	60
Interior cavity	Stainless steel	Stainless steel	Stainless steel
Included accessories	-	-	-

● = Yes - = No  
<sup>1</sup>On an energy-efficiency class scale from A to G  
<sup>2</sup>Energy consumption in kWh/100 operating cycles (using Eco programme)  
<sup>3</sup>Water consumption in litres/operating cycle (using Eco programme)  
<sup>4</sup>Duration of Eco programme  
<sup>5</sup>We would recommend our dishwashers are connected to the mains water supply where possible. However, they may also be connected to an external water softener as long as the water softener produces softened water of less than 1.1 mmol/litre (7.0°e) and the water softener in the appliance is turned off. Please contact product advice for further information. Water pressure required: 0.5-10 Bar. Flow rate: 10 litres per minute. Inlet valve connected directly to ¾" screwed joint.  
**Data valid in this table as of April 2024.** Subject to modification without prior notice.

5 year warranty - Offer dates 01.04.24 - 31.03.25. T&C's apply. Online registration required. Selected models only.

Making **life easy** through innovative technologies



Discontinuing July 2024

DISHWASHER TYPE	60CM DISHWASHERS		
DESIGN FAMILY	SERIES 4	SERIES 4	SERIES 2
MODEL	SMS4EKI06G	SMS4EKW06G	SMS2HVI67G
Colour	Silver Inox	White	Silver Inox
<b>DESIGN FEATURES</b>			
Drying system	Efficient Dry / Heat exchanger	Efficient Dry / Heat exchanger	Heat exchanger
Home Connect	●	●	●
Control panel type	Front button control + LED	Front button control + LED	Front toggle control + LED
Basket description	Vario Flex	Vario Flex	Vario
Vario Drawer	-	-	Vario Drawer
Extra Clean Zone	-	-	-
Glass care technology	●	●	●
Anti-slip protection / stemware support upper basket	- / -	- / -	- / -
Adjustable upper basket	3-stage Rackmatic™	3-stage Rackmatic™	3-stage Rackmatic™
Number of flip times in upper / lower basket	2 / 4	2 / 4	- / 2
Cup shelves upper / lower baskets	2 / -	2 / -	2 / -
Cutlery holder lower basket	●	●	-
Largest loadable dish upper / lower basket (cm)	27 / 30	27 / 30	21 / 30
Aqua sensor	●	●	●
Real-time clock	-	-	-
Start delay time max hours	24	24	24
Time remaining indicator	●	●	●
Emotion light (interior lighting)	-	-	-
End of cycle indicator	-	-	-
Salt / Rinse aid light indicator	● / ●	● / ●	● / ●
Self cleaning filter system	●	●	●
Single water protection	Internal	Internal	Internal
Safety features	Control panel lock, door lock	Control panel lock, door lock	Control panel lock, door lock

PROGRAMMES / FUNCTIONS	60CM DISHWASHERS		
List of programmes	Eco 50°C, Auto 45-65°C, Intensive 70°C, Express 65°C, Silence 50°C, Favourite, Machine Care	Eco 50°C, Auto 45-65°C, Intensive 70°C, Favourite, Express 65°C, Silence 50°C, Machine Care	Eco 50°C, Auto 45-65°C, Intensive 70°C, Express 65°C, Silence 50°C, Favourite, Machine Care
Additional special options	Remote Start, Extra Dry, Half Load, SpeedPerfect+	Remote Start, Extra Dry, Half Load, SpeedPerfect+	Remote start, Extra Dry, Half Load, SpeedPerfect+

TECHNICAL SPECIFICATIONS	60CM DISHWASHERS		
Reference programme for measurements	Eco 50°C	Eco 50°C	Eco 50°C
Energy efficiency class <sup>1</sup>			
Energy <sup>2</sup> / water <sup>3</sup> (kWh / litres)	64 / 9	64 / 9	85 / 9
Load capacity (place settings)	13	13	14
Programme duration <sup>4</sup> (h:min)	3:35	3:35	4:30
Noise level (dB(A) re 1 pW)	42	42	46
Noise efficiency class	B	B	C
Noise level (silence programme) (dB(A) re 1 pW)	41	41	45
Maximum height adjustability feet (cm)	2	2	2
Depth with open door 90 degree (cm)	115.5	115.5	115.5
Length of electrical supply cord (cm)	175	175	175
Length inlet / outlet hose (cm)	165 / 190	165 / 190	165 / 190
Height of the product with removable top (cm)	84.5	84.5	84.5
Height of the product without removable top (cm)	81.5	81.5	81.5
Width / Depth of the product (cm)	60 / 60	60 / 60	60 / 60
Net weight / Gross weight (kg)	44 / 49	44 / 49	47 / 52
Water softener <sup>5</sup>	●	●	●
Maximum accepted water hardness (°DH)	50	50	50
Maximum temperature for water intake (°C)	60	60	60
Interior cavity	Stainless steel	Stainless steel	Stainless steel / Polinox base
Included accessories	-	-	-

● = Yes - = No  
<sup>1</sup>On an energy-efficiency class scale from A to G  
<sup>2</sup>Energy consumption in kWh/100 operating cycles (using Eco programme)  
<sup>3</sup>Water consumption in litres/operating cycle (using Eco programme)  
<sup>4</sup>Duration of Eco programme  
<sup>5</sup>We would recommend our dishwashers are connected to the mains water supply where possible. However, they may also be connected to an external water softener as long as the water softener produces softened water of less than 1.1 mmol/litre (7.0°e) and the water softener in the appliance is turned off. Please contact product advice for further information. Water pressure required: 0.5-10 Bar. Flow rate: 10 litres per minute. Inlet valve connected directly to ¾" screwed joint.  
**Data valid in this table as of April 2024.** Subject to modification without prior notice.

5 year warranty - Offer dates 01.04.24 - 31.03.25. T&C's apply. Online registration required. Selected models only.

Explore more at [bosch-home.co.uk](https://www.bosch-home.co.uk) / [bosch-home.ie](https://www.bosch-home.ie)

DISHWASHER TYPE	60CM DISHWASHERS	
DESIGN FAMILY	SERIES 2	SERIES 2
MODEL	SMS2HVV67G	SMS2ITI41G
Colour	White	Silver Inox
<b>DESIGN FEATURES</b>		
Drying system	Heat exchanger	Inherent heat
Home Connect	●	●
Control panel type	Front toggle control + LED	Front toggle control + LED
Basket description	Vario	Vario
Vario Drawer	Vario Drawer	-
Extra Clean Zone	-	-
Glass care technology	●	●
Anti-slip protection / stemware support upper basket	- / -	- / -
Adjustable upper basket	3-stage Rackmatic™	Adjustable when empty
Number of flip times in upper / lower basket	- / 2	- / 2
Cup shelves upper / lower baskets	2 / -	-
Cutlery holder lower basket	-	●
Largest loadable dish upper / lower basket (cm)	21 / 30	27 / 30
Aqua sensor	●	●
Real-time clock	-	-
Start delay time max hours	24	24
Time remaining indicator	●	●
Emotion light (interior lighting)	-	-
End of cycle indicator	-	-
Salt / Rinse aid light indicator	● / ●	● / ●
Self cleaning filter system	●	●
Single water protection	Internal	Internal
Safety features	Control panel lock, door lock	Control panel lock / door lock

PROGRAMMES / FUNCTIONS	60CM DISHWASHERS	
List of programmes	Eco 50°C, Auto 45-65°C, Intensive 70°C, Express 65°C, Silence 50°C, Favourite, Machine Care	Eco 50°C, Auto 45-65°C, Intensive 70°C, Express 65°C, Favourite, Machine Care
Additional special options	Remote start, Extra Dry, Half Load, SpeedPerfect+	Remote start, Extra Dry, Half Load, SpeedPerfect

TECHNICAL SPECIFICATIONS	60CM DISHWASHERS	
Reference programme for measurements	Eco 50°C	Eco 50°C
Energy efficiency class <sup>1</sup>		
Energy <sup>2</sup> / water <sup>3</sup> (kWh / litres)	85 / 9	92 / 10.5
Load capacity (place settings)	14	12
Programme duration <sup>4</sup> (h:min)	4:30	4:30
Noise level (dB(A) re 1 pW)	46	48
Noise efficiency class	C	C
Noise level (silence programme) (dB(A) re 1 pW)	45	-
Maximum height adjustability feet (cm)	2	2
Depth with open door 90 degree (cm)	115.5	115.5
Length of electrical supply cord (cm)	175	175
Length inlet / outlet hose (cm)	165 / 190	165 / 190
Height of the product with removable top (cm)	84.5	84.5
Height of the product without removable top (cm)	81.5	81.5
Width / Depth of the product (cm)	60 / 60	60 / 60
Net weight / Gross weight (kg)	47 / 52	45 / 46
Water softener <sup>5</sup>	●	●
Maximum accepted water hardness (°DH)	50	50
Maximum temperature for water intake (°C)	60	60
Interior cavity	Stainless steel / Polinox base	Stainless steel / Polinox base
Included accessories	-	-

● = Yes - = No  
<sup>1</sup>On an energy-efficiency class scale from A to G  
<sup>2</sup>Energy consumption in kWh/100 operating cycles (using Eco programme)  
<sup>3</sup>Water consumption in litres/operating cycle (using Eco programme)  
<sup>4</sup>Duration of Eco programme  
<sup>5</sup>We would recommend our dishwashers are connected to the mains water supply where possible. However, they may also be connected to an external water softener as long as the water softener produces softened water of less than 1.1 mmol/litre (7.0°e) and the water softener in the appliance is turned off. Please contact product advice for further information. Water pressure required: 0.5-10 Bar. Flow rate: 10 litres per minute. Inlet valve connected directly to ¾" screwed joint.  
**Data valid in this table as of April 2024.** Subject to modification without prior notice.

5 year warranty - Offer dates 01.04.24 - 31.03.25. T&C's apply. Online registration required. Selected models only.

Making **life easy** through innovative technologies

# 60cm dishwashers



DISHWASHER TYPE	60CM DISHWASHER			
DESIGN FAMILY	SERIES 2	SERIES 2	SERIES 2	SERIES 2
MODEL	SMS2ITW41G	SMS26AI08G	SMS26AW08G	SMS2ITW08G
Colour	White	Silver Inox	White	White
<b>DESIGN FEATURES</b>				
Drying system	Inherent heat	Heat exchanger	Heat exchanger	Inherent heat
Home Connect WiFi connectivity	●	-	-	●
Control panel type	Front toggle control + LED	Front dial control + LED	Front dial control + LED	Front toggle control + LED
Basket description	Vario	Vario	Vario	Vario
Vario Drawer	-	-	-	-
Extra Clean Zone	-	-	-	-
Glass care technology	●	●	●	●
Anti-slip protection / stemware support upper basket	-/-	-/-	-/-	-/-
Adjustable upper basket	Adjustable when empty	Adjustable when empty	Adjustable when empty	Adjustable when empty
Number of flip times in upper / lower basket	-/2	-/2	-/2	-/2
Cup shelves upper / lower baskets	-/-	2/-	2/-	-/-
Cutlery holder lower basket	●	●	●	●
Largest loadable dish upper / lower basket (cm)	27 / 30	27 / 30	27 / 30	27 / 30
Aqua sensor	●	●	●	●
Real-time clock	-	-	-	-
Start delay time max hours	24	24	24	9
Time remaining indicator	●	●	●	-
Emotion light (interior lighting)	-	-	-	-
End of cycle indicator	-	-	-	-
Salt / Rinse aid light indicator	●/●	●/●	●/●	●/●
Self cleaning filter system	●	●	●	●
Flood protection system	Internal	Internal	Internal	Internal
Safety features	Control panel lock / door lock	Door lock	Door lock	Door lock
<b>PROGRAMMES / FUNCTIONS</b>				
List of programmes	Eco 50°C, Auto 45-65°C, Intensive 70°C, Express 65°C, Favourite, Machine Care	Eco 50°C, Auto 45-65°C, Intensive 70°C, 1h 65°C, Silence 50°C, Pre-Rinse, Machine Care	Eco 50°C, Auto 45-65°C, Intensive 70°C, 1h 65°C, Silence 50°C, Pre-Rinse, Machine Care	Eco 50°C, Auto 45-65°C, Intensive 70°C, Express 65°C, Favourite, Machine Care
Additional special options	Remote start, Extra Dry, Half Load, SpeedPerfect	Extra Dry, Hygiene+, SpeedPerfect+	Extra Dry, Hygiene+, SpeedPerfect+	Remote start, Extra Dry, Half Load
<b>TECHNICAL SPECIFICATIONS</b>				
Reference programme for measurements	Eco 50°C	Eco 50°C	Eco 50°C	Eco 50°C
Energy efficiency class <sup>1</sup>	A E	A E	A E	A E
Energy <sup>2</sup> / water <sup>3</sup> (kWh / litres)	92 / 10.5	92 / 9.5	92 / 9.5	92 / 10.5
Load capacity (place settings)	12	12	12	12
Programme duration <sup>4</sup> (h:min)	4:30	3:30	3:30	4:30
Noise level (dB(A) re 1 pW)	48	46	46	50
Noise efficiency class	C	C	C	C
Noise level (silence programme) (dB(A) re 1 pW)	-	-	-	-
Maximum height adjustability feet (cm)	2	2	2	2
Depth with open door 90 degree (cm)	115.5	115.5	115.5	115.5
Length of electrical supply cord (cm)	175	175	175	175
Length inlet / outlet hose (cm)	165 / 190	165 / 190	165 / 190	165 / 190
Height of the product with removable top (cm)	84.5	84.5	84.5	84.5
Height of the product without removable top (cm)	81.5	81.5	81.5	81.5
Width / Depth of the product (cm)	60 / 60	60 / 60	60 / 60	60 / 60
Net weight / Gross weight (kg)	45 / 47	45 / 47	45 / 47	44 / 45
Water softener <sup>5</sup>	●	●	●	●
Maximum accepted water hardness (°DH)	50	50	50	50
Maximum temperature for water intake (°C)	60	60	60	60
Interior cavity	Stainless steel / Polinox base	Stainless steel / Polinox base	Stainless steel / Polinox base	Stainless steel / Polinox base
Included accessories	-	-	-	-

● = Yes - = No  
<sup>1</sup>On an energy efficiency class scale from A to G  
<sup>2</sup>Energy consumption in kWh/100 operating cycles (using Eco programme)  
<sup>3</sup>Water consumption in litres/operating cycle (using Eco programme)  
<sup>4</sup>Duration of Eco programme  
<sup>5</sup>We would recommend our dishwashers are connected to the mains water supply where possible. However, they may also be connected to an external water softener as long as the water softener produces softened water of less than 1.1 mmol/litre (7.0°e) and the water softener in the appliance is turned off. Please contact product advice for further information. Water pressure required: 0.5-10 Bar. Flow rate: 10 litres per minute. Inlet valve connected directly to ¾" screwed joint.  
**Data valid in this table as of April 2024.** Subject to modification without prior notice.

5 year warranty - Offer dates 01.04.24 - 31.03.25. T&C's apply. Online registration required. Selected models only.

Explore more at [bosch-home.co.uk](https://bosch-home.co.uk) / [bosch-home.ie](https://bosch-home.ie)

# 45cm & compact dishwashers



DISHWASHER TYPE	45CM DISHWASHER			COMPACT DISHWASHER
DESIGN FAMILY	SERIES 4	SERIES 4	SERIES 2	SERIES 4
MODEL	SPS4HM149G	SPS4HMW49G	SPS2IKW01G	SKS62E32EU
Colour	Silver Inox	White	White	White
<b>DESIGN FEATURES</b>				
Drying system	Heat exchanger	Heat exchanger	Inherent heat	Inherent heat
Home Connect WiFi connectivity	●	●	●	-
Control panel type	Front button control + LED	Front button control + LED	Front toggle control + LED	Front dial control + LED
Basket description	Vario Flex	Vario Flex	Normal basket	Vario
Vario Drawer	Vario Drawer	Vario Drawer	-	-
Extra Clean Zone	-	-	-	-
Glass care technology	●	●	●	-
Anti-slip protection / stemware support upper basket	●/-	●/-	-	-
Adjustable upper basket	3-stage Rackmatic™	3-stage Rackmatic™	Adjustable when empty	-
Number of flip times in upper / lower basket	2 / 2	2 / 2	- / -	- / -
Cup shelves upper / lower baskets	1 / 1	1 / 1	2 / -	- / 2
Cutlery holder lower basket	-	-	●	-
Largest loadable dish upper / lower basket (cm)	21 / 30	21 / 30	27 / 30	28
Aqua sensor	●	●	●	●
Real-time clock	-	-	-	-
Start delay time max hours	24	24	9	24
Time remaining indicator	●	●	●	●
Emotion light (interior lighting)	-	-	-	-
End of cycle indicator	-	-	-	-
Salt / Rinse aid light indicator	●/●	●/●	●/●	●/●
Self cleaning filter system	●	●	●	●
Flood protection system	Internal	Internal	Internal	AquaStop 24hr
Safety features	Control panel lock / door lock	Control panel lock / door lock	Door lock	Door lock
<b>PROGRAMMES / FUNCTIONS</b>				
List of programmes	Eco 50°C, Auto 45-65°C, Intensive 70°C, Express 65°C, Silence 50°C, Favourite, Machine Care	Eco 50°C, Auto 45-65°C, Intensive 70°C, Express 65°C, Silence 50°C, Favourite, Machine Care	Eco 50°C, Auto 45-65°C, Intensive 70°C, Express 65°C, Silence 50°C, Favourite, Machine Care	Eco 50°C, Auto 45-65°C, Intensive 70°C, Quick 45°C, Glass 40°C, Pre-Rinse
Additional special options	Remote Start, Extra Dry, SpeedPerfect+, Intensive Zone	Remote Start, Extra Dry, SpeedPerfect+, Intensive Zone	Remote Start, Extra Dry, SpeedPerfect	Extra Dry, SpeedPerfect
<b>TECHNICAL SPECIFICATIONS</b>				
Reference programme for measurements	Eco 50°C	Eco 50°C	Eco 50°C	Eco 50°C
Energy efficiency class <sup>1</sup>	A E	A E	A F	A F
Energy <sup>2</sup> / water <sup>3</sup> (kWh / litres)	76 / 9.5	76 / 9.5	78 / 9.5	61 / 8
Load capacity (place settings)	10	10	9	6
Programme duration <sup>4</sup> (h:min)	3:40	3:40	3:35	3:55
Noise level (dB(A) re 1 pW)	44	44	48	49
Noise efficiency class	C	C	C	C
Noise level (silence programme) (dB(A) re 1 pW)	42	42	-	-
Maximum height adjustability feet (cm)	2	2	2	-
Depth with open door 90 degree (cm)	115.5	115.5	115.5	84.5
Length of electrical supply cord (cm)	175	175	175	175
Length inlet / outlet hose (cm)	165 / 205	165 / 205	165 / 205	165 / 215
Height of the product with removable top (cm)	84.5	84.5	84.5	45.0
Height of the product without removable top (cm)	81.5	81.5	81.5	Top not removable
Width / Depth of the product (cm)	45 / 60	45 / 60	45 / 60	55 / 50
Net weight / Gross weight (kg)	38 / 42	40 / 42	41 / 46	22 / 24
Water softener <sup>5</sup>	●	●	●	●
Maximum accepted water hardness (°DH)	50	50	35	35
Maximum temperature for water intake (°C)	60	60	60	60
Interior cavity	Stainless steel	Stainless steel	Stainless steel	Stainless steel / Polinox
Included accessories	-	-	-	-

● = Yes - = No  
<sup>1</sup>On an energy efficiency class scale from A to G  
<sup>2</sup>Energy consumption in kWh/100 operating cycles (using Eco programme)  
<sup>3</sup>Water consumption in litres/operating cycle (using Eco programme)  
<sup>4</sup>Duration of Eco programme  
<sup>5</sup>We would recommend our dishwashers are connected to the mains water supply where possible. However, they may also be connected to an external water softener as long as the water softener produces softened water of less than 1.1 mmol/litre (7.0°e) and the water softener in the appliance is turned off. Please contact product advice for further information. Water pressure required: 0.5-10 Bar. Flow rate: 10 litres per minute. Inlet valve connected directly to ¾" screwed joint.  
**Data valid in this table as of April 2024.** Subject to modification without prior notice.

5 year warranty - Offer dates 01.04.24 - 31.03.25. T&C's apply. Online registration required. Selected models only.

Making **life easy** through innovative technologies

## Installation tips

### Dishwashers

#### Integrated dishwashers

Energy and water-efficient with outstanding performance, Bosch integrated dishwashers quietly do all the hard work for you behind closed doors. These models can be built under a worktop or sink drainer, between two units or at the end of a run of units. A furniture door is mounted on the appliance door so that the dishwasher is indistinguishable from other kitchen cabinets. Choose from full size 60cm wide, or slimline 45cm wide.

#### Built-in dimensions (60m wide)

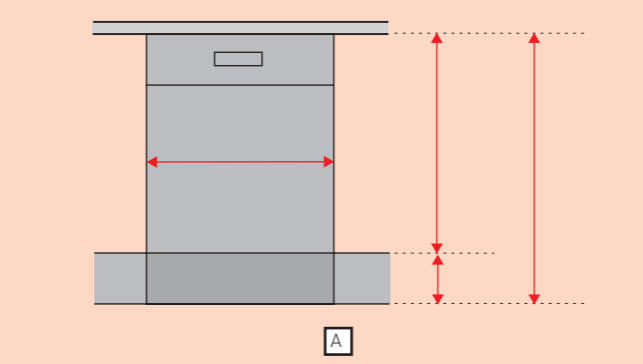
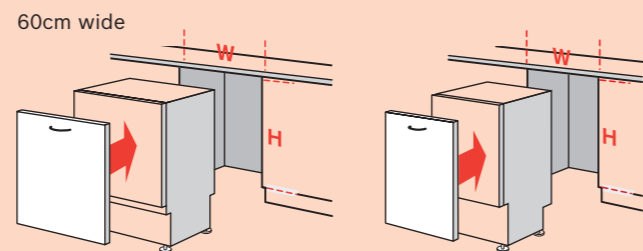
If you have a recess height of 81.5 – 87.5cm, plan for an 81cm dishwasher. The appliance's feet may be screwed out to a total height of 87.5cm. Or, if you have a recess height of 86.5 – 92.5cm plan for an 86cm dishwasher. The appliance's feet screw out to a total height of 92.5cm.

#### Quick checklist

##### Type

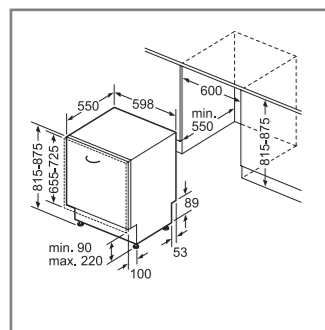
##### Fully integrated dishwasher

- 60cm wide
- 45cm wide

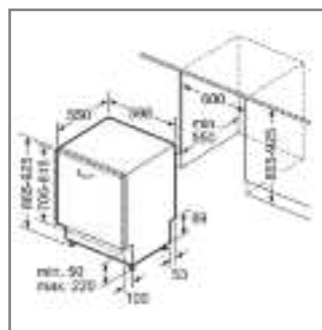


## Built-in dishwasher technical diagrams

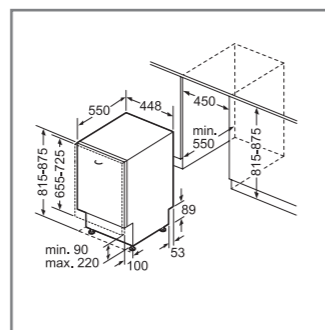
### Fully integrated and slimline dishwashers



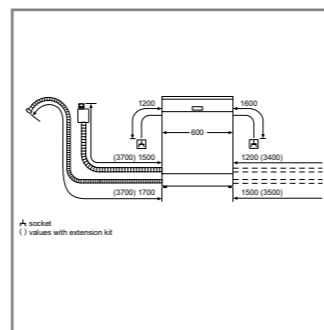
Fully integrated dishwashers



SBH4HVX00G (extra height)



45cm dishwashers



All 60cm dishwasher connection dimensions

## Built-in dishwasher accessories

DESCRIPTION	Accessory Nr.	SMD8YCX03G	SMD6YCX01G	SMD6ZCX60G	SMV4ECX23G	SMV4EAX23G	SBH4HVX00G	SMH4HVX00G
Split door furniture front connection rails – For full size and slimline models	SGZ8BI00	•	•	•	•	•	•	•
Decor strip - For 60cm and 45cm Stainless Steel base models, 81.5cm height	SGZ0BI01	•	•	•	•	•	-	-
Decor strip - For 60cm Polinox base models, 81.5cm height	SGZ0BI02	-	-	-	-	-	•	•
Decor strip - For 60cm Stainless Steel base models installed off the ground, 81.5cm height	SMZ5035	•	•	•	•	•	-	-
Decor strip - For full size Stainless Steel base models, 86.5cm height	SGZ0BI11	-	-	-	-	-	-	-
Decor strip - For full size Stainless Steel base models installed off the ground, 86.5cm height	SMZ5045	-	-	-	-	-	-	-

DESCRIPTION	Accessory Nr.	SMV4HVX00G	SMV4HTX00G	SMV6ZCX10G	SMH4HTX02G	SMV2HTX02G	SMV2ITX18G	SPV4EMX25G	SPV2HX42G
Split door furniture front connection rails – For full size and slimline models	SGZ8BI00	•	•	•	•	•	•	-	-
Decor strip - For 60cm and 45cm Stainless Steel base models, 81.5cm height	SGZ0BI01	-	-	•	-	-	-	-	-
Decor strip - For 60cm Polinox base models, 81.5cm height	SGZ0BI02	•	•	-	•	•	•	•	•
Decor strip - For 60cm Stainless Steel base models installed off the ground, 81.5cm height	SMZ5035	-	-	•	-	-	-	-	-
Decor strip - For full size Stainless Steel base models, 86.5cm height	SGZ0BI11	-	-	-	-	-	-	-	-
Decor strip - For full size Stainless Steel base models installed off the ground, 86.5cm height	SMZ5045	-	-	-	-	-	-	-	-

All diagram measurements are in millimetres (mm)

We try to keep up to date with constant technological improvements, so from time to time we may update installation guidelines. Therefore we strongly recommend that you download the latest installation guidelines from [www.bosch-home.co.uk](http://www.bosch-home.co.uk). Line drawings are for guidance only, and we recommend that you refer to the latest installation guidelines. Though every care is taken to ensure instructions are correct at the time of printing, Bosch cannot accept responsibility for incorrect planning or installation as a result of the use of these line drawings.

## Freestanding dishwasher accessories

DISHCARE ACCESSORIES			
Cutlery basket (60cm dishwashers)		Cutlery basket (45cm & Compacts)	
Model	SMZ5100	Model	SPZ5100
Hose extension (2m inlet and outlet hose extension)		Wine Glass Holder (Compatible with Bosch Vario Flex, Max Flex and Max Flex Pro basket systems)	
Model	SGZ1010	Model	SMZ5300
Silverware holder cassette (to prevent contamination from other metals)		Vario Drawer	
Model	SMZ5002	Model	SGZ6DX03

## Freestanding dishwasher accessories

DESCRIPTION	Accessory Nr.	SMS6TCI01G	SMS6TCW01G	SMS6ZCI10G	SMS6ZCW10G	SMS4EMI06G	SMS4EMW06G
Inlet and outlet hose extension	SGZ1010	•	•	•	•	•	•
Silver polishing cassette - 60cm dishwashers	SMZ5002	-	-	•	•	•	•
Vario cutlery basket - 45cm dishwashers	SPZ5100	-	-	-	-	-	-
Vario cutlery basket - 60cm dishwashers	SMZ5100	•	•	•	•	•	•
Vario drawer - 60cm dishwashers	SGZ6DX03	•	•	•	-	-	-
Wine glass holder accessory (Glass secure tray)	SMZ5300	•	•	•	•	•	•

DESCRIPTION	Accessory Nr.	SMS4EKI06G	SMS4EKW06G	SMS2HVI67G	SMS2HVV67G	SMS2ITW41G	SMS2ITW41G	SMS26AI08G
Inlet and outlet hose extension	SGZ1010	•	•	•	•	•	•	•
Silver polishing cassette - 60cm dishwashers	SMZ5002	•	•	-	-	-	-	-
Vario cutlery basket - 45cm dishwashers	SPZ5100	-	-	•	•	-	-	-
Vario cutlery basket - 60cm dishwashers	SMZ5100	•	•	•	•	-	-	-
Vario drawer - 60cm dishwashers	SGZ6DX03	-	-	-	-	-	-	-
Wine glass holder accessory (Glass secure tray)	SMZ5300	•	•	•	•	•	•	•

DESCRIPTION	Accessory Nr.	SMS26AW08G	SMS2ITW08G	SPS4HMI49G	SPS4HMM49G	SPS2IKW01G	SKS62E32EU
Inlet and outlet hose extension	SGZ1010	•	•	•	•	•	•
Silver polishing cassette - 60cm dishwashers	SMZ5002	-	-	•	•	•	-
Vario cutlery basket - 45cm dishwashers	SPZ5100	-	-	•	•	-	-
Vario cutlery basket - 60cm dishwashers	SMZ5100	-	-	-	-	-	-
Vario drawer - 60cm dishwashers	SGZ6DX03	-	-	-	-	-	-
Wine glass holder accessory (Glass secure tray)	SMZ5300	•	•	•	•	•	-

# Introducing the Bosch refrigeration range

Save more, waste less. Our range of freestanding fridge freezers are packed with innovative technologies to keep your food fresh for longer, so you'll throw out less and save on your weekly shopping bill.

To help you choose the right appliance, we have divided them into the four ranges below.

## Series 8

Cutting-edge design meets advanced technologies. All models in our **Series 8** range are packed with features that save valuable time, effort and money – perfect for modern, busy households.

## Series 4

All models in our **Series 4** range combine practical features with Bosch build quality.

## Series 6

Our **Series 6** range of appliances combines efficient performance with convenient storage and superior food preservation.

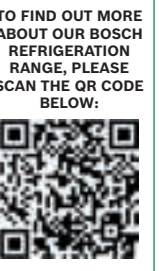
## Series 2

Built for optimal food storage, the **Series 2** refrigeration range is just as practical as it is value for money.



Model shown: KIN86VSE0G

# Lock in the freshness.



### Easy-to-clean magnetic door seals

The magnetic door seals on all of our refrigeration ranges are **removable**, making them easy to clean and/or replace when necessary.

## Refrigeration functions explained.

Check model for available functions.



**No Frost**  
Never defrost again, thanks to perfect protection from ice formation that saves time and effort.



**Low Frost**  
Defrost less often thanks to lower ice formation, saving work and energy.



**Big Box**  
An extra-deep frozen food drawer makes stacking frozen foods containers or large frozen items like a Christmas Turkey or pizza boxes easier.



**Multi Box**  
Transparent drawer with wave bottom, ideal for the storage of fruits and vegetables.



**Super Cool**  
Activating the Super Cool function before you go shopping lowers the temperature for a short period, so your fresh shopping is kept at the optimum conditions.



**Super Freeze**  
The Super Freeze function temporarily lowers the temperature in the freezer for when you have new shopping to load in, protecting both new and existing food.



**Safety Glass**  
Strong glass shelves ensure heavier items can be stored safely.



**Easy Shelf Access**  
The shatterproof, frameless glass shelves are particularly easy to use, thanks to the smooth pull-out mechanism. And they also give you a clear view of your food at any time.



**Multi Airflow**  
The fan-assisted Multi Airflow System causes gentle, even currents of cold air to emerge at all levels of the chilling and freezing area. Temperature fluctuations are minimised and cooling times are reduced.

## VitaFresh

With **VitaFresh**, you'll be able to store your fruit and vegetables safely to lock in the freshness. And with an adjustable humidity setting on the drawer, you'll be keeping your fresh food in a perfectly controlled environment.

There are two drawer solutions; you'll either find one big drawer for fish and meat or two drawers, one for fish and one for meat. All with a temperature regulating slider which lets you lower the temperature up to 4°C lower than the rest of the fridge.

## VitaFresh<sup>plus</sup>

The **Series 6** fridge freezers help you to live healthier. They not only offer you plenty of room for fresh foods, drinks and even big pots and bowls, but also the technology to store them optimally.

The **VitaFresh plus** freshness system guarantees ideal storage conditions at any time and ensures that fish, meat, fruit and vegetables stay fresh for longer. This makes our Series 6 fridge freezer not only optimal for your food, but also for yourself.

**VitaFresh plus** models have the added benefit of a convenient push button for humidity control.

## VitaFresh<sup>pro</sup>

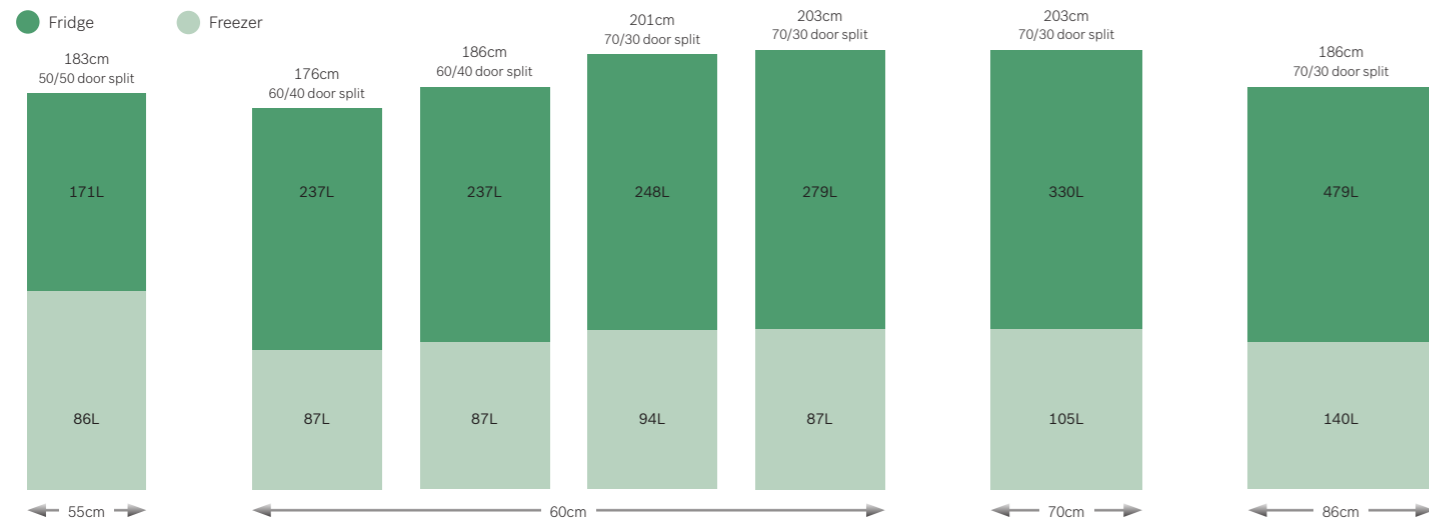
Selected **Series 8** fridges feature our best freshness system **VitaFresh pro**. It keeps food fresh for longer with temperatures from -1°C to +3°C while maintaining the perfect humidity level.

This combination of temperature and humidity helps you to protect all the aromas, essential nutrients and valuable vitamins in your fresh food. Hence, it's easier than ever to maintain a healthy diet with fresh fruit and vegetables every day.

Select the right fridge freezer for you.

### Height, width and fridge freezer split.

Our fridge freezer options are tailored to suit every family household's needs, so you can choose your appliance to ensure this. For those who shop little and often, try a smaller capacity fridge and freezer which doesn't impact on space. If you have a busy household and do a full weekly shop, a spacious 70/30 fridge freezer would be ideal.



Fridge freezer split shown for illustrative purposes. Check the product specifications for specific fridge freezer splits.

## Controlling your appliance.

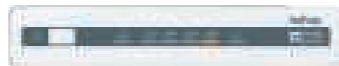
Across the range of cooling appliances, there are different ways you can control the temperature inside your fridge freezer. Below are the different variations:



Exterior touch control (digital control)



Interior LED button control



Interior LED button (freezer only)

## The XXL fridge freezers. Keep more, waste less.

The Bosch XXL fridge freezers are extra-large, providing much more space for your food. Their impressive refrigeration has features such as full flexibility of all safety glass shelves which are particularly easy to use, thanks to the smooth pull-out mechanism.

Across the range of 70cm-wide and 86cm-wide, models include a **Big Box** freezer drawer, for the practical stacking of frozen food containers or large frozen items and the **VitaFresh** function which ensures food is kept fresh for longer – thanks to extra low temperatures for fish and meat, and adjustable humidity for fruit and vegetables.



**Anti fingerprint**  
Your appliance will stay finger print free and looking clean and fresh.

Explore more at [bosch-home.co.uk](http://bosch-home.co.uk) / [bosch-home.ie](http://bosch-home.ie)



Select the right model for your kitchen.



### Built-in fridge freezer

Built-in fridge freezers blend seamlessly into your kitchen cabinets, making it easy to access your chilled food, and still provide plenty of storage for your frozen goods. Select from a variety of options to suit your needs for either larger fridges or freezers.



### Built-in fridge

Built-in fridges integrated into your kitchen cabinets. Add to the expanded space you have for keeping your chilled food fresh.



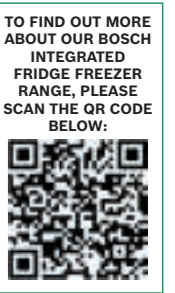
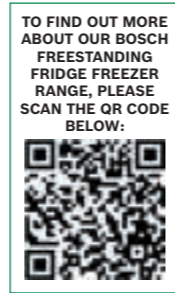
### Built-in freezer

Bosch has a wide range of built-in freezers to suit every kitchen size. From tall upright freezers to compact under-counter models, all Bosch freezers are built to maximise storage space and minimise energy consumption.



### Built-under fridge and freezer

Our built-under fridges and freezers are ideal for those limited on space within the kitchen. Under-counter cooling solutions will allow you to have easy access to your chilled food, all while being discreetly tucked behind the door.



## Hinges to fit in with your kitchen.

### Fixed hinge

Fixed hinges allow heavier furniture doors to be fitted to the appliance, ideal for kitchen cabinets made from heavier hard wood. This also allows the door to be open at a wider angle, making the whole fridge cavity easily accessible.



### Sliding hinge

Sliding hinges are designed for integrated kitchens and are designed to sit between the appliance and the kitchen furniture, which is secured by a number of brackets. As you open the furniture door, the appliance door also opens, thanks to the series of brackets.



### Quietly does it

As there could be many small and larger hands opening and shutting the fridge door, it's nice to know that we've integrated **Soft Closing doors** in many models – so doors don't get left open accidentally.



Model shown: KIN86ADD0G



# XL & XXL Built-in

## Make room for freshness with XL and XXL built-in cooling.

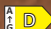
It only takes a little more space in your kitchen to get a lot more space in your fridge. Our new XL models are slightly taller and utilize the additional cavity space in your built-in cabinets, to give you more cooling capacity. If you're looking for even more, our new XXL models are taller and wider, with 45%\* more cooling space, meaning up to 123 litres of extra volume!. With a larger interior that gives a perfect overview and maximum flexibility of freshness. These models may be larger in size, but that doesn't mean you need to compromise on freshness. These models are still packed with all our innovative cooling solutions.

### XL models

193.5cm (H) x 54cm (W)  
Capacity: 290L

### XXL model

193.5cm (H) x 70.8cm (W)  
Capacity: 383L

Model shown: KBN96VFE0G 

\*Comparison between XXL size fridge freezer (KBN96VFE0G) vs. standard size fridge freezer (KIN86NFE0G).

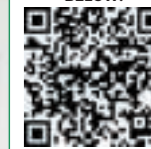
Explore more at [bosch-home.co.uk](https://www.bosch-home.co.uk) / [bosch-home.ie](https://www.bosch-home.ie)

TO FIND OUT MORE ABOUT OUR BOSCH XL & XXL RANGE, PLEASE SCAN THE QR CODE BELOW:




# Multi-door cooling

TO FIND OUT MORE ABOUT OUR BOSCH MULTI-DOOR FRIDGE FREEZER RANGE, PLEASE SCAN THE QR CODE BELOW:



Sleek, stunning design, best-in-class freshness system, XXL fridge capacity for effortless organisation and innovative features are designed to keep your food fresh for longer.

Model shown: KFF96PIEP 

## Choosing the right model for your needs.



Model shown: KAG93AIEPG 

### 2 door

- ✓ **Classic side by side design:** easy to store and access your shopping
- ✓ **Multi Airflow:** innovative technology that ensures equal temperature throughout the fridge cavity
- ✓ **No Frost:** no more defrosting!
- ✓ **External ice and water dispenser:** ice-cold water at the touch of a button



Model shown: KFF96PIEP 

### 3 door

- ✓ **Wide not deep:** by halving the door size, you can get a big capacity without the door cutting into your kitchen walkway
- ✓ **VitaFresh pro:** to store your fruit and veg fresh for longer
- ✓ **Effortless Access:** designed with 3 doors to give you easy access
- ✓ **Internal Water Dispenser:** keeps the appliance exterior looking seamless
- ✓ **Automatic Ice Cube Maker:** instant ice for those hot summer days



Model shown: KFN96APEA 

### 4 door

- ✓ **XXL capacity:** easily store your weekly shop
- ✓ **VitaFresh technology:** keep your fruit and veg fresh for longer
- ✓ **No Frost:** no more defrosting!
- ✓ **Super storage:** the freezer cavity comes with two No Frost Big Boxes – ideal for stacking meal prep containers



TYPE	BOTTOM FREEZER	BOTTOM FREEZER	BOTTOM FREEZER
DESIGN FAMILY	SERIES 6	SERIES 4	SERIES 4
MODEL	KIN86ADDO	KIN86VFE0G	KIN86VSE0G
Fridge / Freezer split	60 / 40	60 / 40	60 / 40
No Frost	●	●	●
Low Frost or Manual defrost	-	-	-
Soft Close hinge	●	-	-
Type of hinge (reversible)	Fixed hinge	Fixed hinge	Sliding hinge
Home Connect	-	-	-
<b>FOOD FRESHNESS SYSTEM</b>			
VitaFresh	2 x VitaFresh drawers	2 x VitaFresh drawers	2 x VitaFresh drawers
<b>KEY FEATURES – FRIDGE SECTION</b>			
Light	LED	LED	LED
Super Cool function	●	-	-
Type of control	Electronic	Electronic	Electronic
Number of shelves	3	3	3
Number of adjustable shelves	2	3	3
Number of door bins / shelves	3	3	3
Type of shelves	Safety glass	Safety glass	Safety glass
Temperature display	Digital LED	Digital LED	Digital LED
Warning signal door open	●	●	●
Bottle shelves in fridge	●	●	●
<b>KEY FEATURES – FREEZER SECTION</b>			
Super Freeze function	●	-	-
Temperature adjustable in freezer	●	●	●
Number of ice cube trays	1	1	1
Number of freezer drawers	3	3	3
<b>ADDITIONAL INFORMATION</b>			
Energy efficiency class			
Energy consumption <sup>1</sup> (kWh/annum)	186	234	234
Total net capacity (litres)	260	260	260
Refrigerator net capacity (litres)	184	184	184
Freezer net capacity (litres)	76	76	76
Climate class <sup>2</sup>	SN-ST	SN-ST	SN-ST
Noise level dB(A) re 1 pW	35dB	35dB	35dB
Noise level class	B	B	B
Additional accessories included	3 x egg trays, 1 x ice cube tray, 1 x bottle support	3 x egg trays, 1 x ice cube tray, 1 x bottle support	3 x egg trays, 1 x ice cube tray, 1 x bottle support
Height of product (mm)	1772	1772	1772
Width of product (mm)	558	541	541
Depth of product (mm)	548	548	548

● = yes - = no  
<sup>1</sup> Actual energy consumption will depend on how the appliance is used and where it is located  
<sup>2</sup> Climate zone SN = designed to operate in ambient temperatures of +10°C to 32°C  
 Climate zone T = designed to operate in ambient temperatures of +18°C to 43°C

TYPE	BOTTOM FREEZER	BOTTOM FREEZER	BOTTOM FREEZER	BOTTOM FREEZER
DESIGN FAMILY	SERIES 2	SERIES 2	SERIES 2	SERIES 2
MODEL	KIN86NFE0G	KIN86NSE0G	KIN85NFE0G	KIN85NSE0G
Fridge / Freezer split	60 / 40	60 / 40	50 / 50	50 / 50
No Frost	●	●	●	●
Low Frost or Manual defrost	-	-	-	-
Soft Close hinge	-	-	-	-
Type of hinge (reversible)	Fixed hinge	Sliding hinge	Fixed hinge	Sliding hinge
Home Connect	-	-	-	-
<b>FOOD FRESHNESS SYSTEM</b>				
VitaFresh	1 x MultiBox XXL	1 x MultiBox XXL	1 x MultiBox XXL	1 x MultiBox XXL
<b>KEY FEATURES – FRIDGE SECTION</b>				
Light	LED	LED	LED	LED
Super Cool function	●	●	●	●
Type of control	Electronic	Electronic	Electronic	Electronic
Number of shelves	4	4	5	5
Number of adjustable shelves	3	3	4	4
Number of door bins / shelves	3	3	5	5
Type of shelves	Safety glass	Safety glass	Safety glass	Safety glass
Temperature display	Digital LED	Digital LED	Digital LED	Digital LED
Warning signal door open	●	●	●	●
Bottle shelves in fridge	●	●	●	●
<b>KEY FEATURES – FREEZER SECTION</b>				
Super Freeze function	●	●	●	●
Temperature adjustable in freezer	-	-	-	-
Number of ice cube trays	1	1	1	1
Number of freezer drawers	3	3	4	4
<b>ADDITIONAL INFORMATION</b>				
Energy efficiency class				
Energy consumption <sup>1</sup> (kWh/annum)	234	234	239	239
Total net capacity (litres)	260	260	248	248
Refrigerator net capacity (litres)	184	184	150	150
Freezer net capacity (litres)	76	76	99	99
Climate class <sup>2</sup>	SN-ST	SN-ST	SN-ST	SN-ST
Noise level dB(A) re 1 pW	35dB	35dB	39dB	39dB
Noise level class	B	B	C	C
Additional accessories included	3 x egg trays, 1 x ice cube tray	3 x egg trays, 1 x ice cube tray	3 x egg trays, 1 x ice cube tray	3 x egg trays, 1 x ice cube tray
Height of product (mm)	1772	1772	1772	1772
Width of product (mm)	541	541	541	541
Depth of product (mm)	548	548	548	548

● = yes - = no  
<sup>1</sup> Actual energy consumption will depend on how the appliance is used and where it is located  
<sup>2</sup> Climate zone SN = designed to operate in ambient temperatures of +10°C to 32°C  
 Climate zone T = designed to operate in ambient temperatures of +18°C to 43°C

5 year warranty - Offer dates 01.04.24 – 31.03.25. T&C's apply. Online registration required. Selected models only.

# Low Frost bottom freezers

# Low Frost & static bottom freezers



TYPE	BOTTOM FREEZER	BOTTOM FREEZER	BOTTOM FREEZER	BOTTOM FREEZER
DESIGN FAMILY	SERIES 6	SERIES 4	SERIES 4	SERIES 4
MODEL	KIS87AFE0G	KIV87VFE0G	KIV87VSE0G	KIV86VSE0G
Fridge / Freezer split	70/30	70/30	70/30	60/40
No Frost	-	-	-	-
Low Frost or Manual defrost	Low Frost	Low Frost	Low Frost	Low Frost
Soft Close hinge	-	-	-	-
Type of hinge (reversible)	Fixed hinge	Fixed hinge	Sliding hinge	Sliding hinge
Home Connect	-	-	-	-
FOOD FRESHNESS SYSTEM				
VitaFresh	1 x VitaFresh drawer	1 x VitaFresh drawer	1 x VitaFresh drawer	1 x VitaFresh drawer
KEY FEATURES – FRIDGE SECTION				
Light	LED	LED	LED	LED
Super Cool function	●	-	-	-
Type of control	Electronic	Electronic	Electronic	Electronic
Number of shelves	5	5	5	4
Number of adjustable shelves	4	4	4	3
Number of door bins / shelves	5	4	4	3
Type of shelves	Safety glass	Safety glass	Safety glass	Safety glass
Temperature display	Digital LED	Digital LED	Digital LED	Digital LED
Warning signal door open	●	●	●	●
Bottle shelves in fridge	-	●	●	●
KEY FEATURES – FREEZER SECTION				
Super Freeze function	●	●	●	●
Temperature adjustable in freezer	●	-	-	-
Number of ice cube trays	1	1	1	1
Number of freezer drawers	2	2	2	3
ADDITIONAL INFORMATION				
Energy efficiency class				
Energy consumption <sup>1</sup> (kWh/annum)	207	216	216	229
Total net capacity (litres)	272	270	270	267
Refrigerator net capacity (litres)	209	200	200	183
Freezer net capacity (litres)	63	70	70	84
Climate class <sup>2</sup>	SN-ST	SN-ST	SN-ST	SN-ST
Noise level dB(A) re 1 pW	36dB	35dB	35dB	35dB
Noise level class	C	B	B	C
Additional accessories included	3 x egg trays, 1 x ice cube tray	3 x egg trays, 1 x ice cube tray, 1 x bottle support	3 x egg trays, 1 x ice cube tray, 1 x bottle support	3 x egg trays, 1 x ice cube tray, 1 x bottle support
Height of product (mm)	1772	1772	1772	1772
Width of product (mm)	558	541	541	541
Depth of product (mm)	545	548	548	548

TYPE	BOTTOM FREEZER	BOTTOM FREEZER	BOTTOM FREEZER	BOTTOM FREEZER
DESIGN FAMILY	SERIES 4	SERIES 4	SERIES 2	SERIES 2
MODEL	KIN96VFD0	KBN96VFE0G	KIN96NSE0	KIV87NSE0G
Fridge / Freezer split	60 / 40	60 / 40	60 / 40	70 / 30
No Frost	●	●	●	-
Low Frost or Manual defrost	-	-	-	Low Frost
Soft Close hinge	-	-	-	-
Type of hinge (reversible)	Fixed hinge	Fixed hinge	Sliding hinge	Sliding hinge
Home Connect	-	●	-	-
FOOD FRESHNESS SYSTEM				
VitaFresh	2 x VitaFresh drawers	2 x VitaFresh drawers	1 x MultiBox XXL	1 x MultiBox XXL
KEY FEATURES – FRIDGE SECTION				
Light	LED	LED	LED	LED
Super Cool function	●	●	●	●
Type of control	Electronic	Electronic	Electronic	Electronic
Number of shelves	4	4	5	5
Number of adjustable shelves	4	4	4	4
Number of door bins / shelves	4	4	4	4
Type of shelves	Safety glass	Safety glass	Safety glass	Safety glass
Temperature display	Digital LED	Digital LED	Digital LED	Digital LED
Warning signal door open	●	●	●	●
Bottle shelves in fridge	●	●	-	-
KEY FEATURES – FREEZER SECTION				
Super Freeze function	●	●	●	●
Temperature adjustable in freezer	-	●	●	-
Number of ice cube trays	1	1	1	1
Number of freezer drawers	3	3	3	2
ADDITIONAL INFORMATION				
Energy efficiency class				
Energy consumption <sup>1</sup> (kWh/annum)	184	256	231	216
Total net capacity (litres)	290	383	290	270
Refrigerator net capacity (litres)	215	285	215	200
Freezer net capacity (litres)	75	98	75	70
Climate class <sup>2</sup>	SN-ST	SN-ST	SN-ST	SN-ST
Noise level dB(A) re 1 pW	34dB	34dB	34dB	35dB
Noise level class	B	B	B	B
Additional accessories included	3 x egg trays, 1 x ice cube tray, 1 x bottle support	3 x egg trays, 1 x ice cube tray, 1 x bottle support	3 x egg trays, 1 x ice cube tray, 1 x bottle support	3 x egg trays, 1 x ice cube tray
Height of product (mm)	1935	1395	1935	1772
Width of product (mm)	558	708	541	541
Depth of product (mm)	548	548	548	548

● = yes - = no  
<sup>1</sup> Actual energy consumption will depend on how the appliance is used and where it is located  
<sup>2</sup> Climate zone SN = designed to operate in ambient temperature of +10°C to 32°C  
 Climate zone T = designed to operate in ambient temperature of +18°C to 43°C

● = yes - = no  
<sup>1</sup> Actual energy consumption will depend on how the appliance is used and where it is located  
<sup>2</sup> Climate zone SN = designed to operate in ambient temperatures of +10°C to 32°C  
 Climate zone T = designed to operate in ambient temperatures of +18°C to 43°C

5 year warranty - Offer dates 01.04.24 – 31.03.25. T&C's apply. Online registration required. Selected models only.



TYPE	FRIDGE 177CM	FRIDGE 177CM	FRIDGE 177CM
DESIGN FAMILY	SERIES 6	SERIES 4	SERIES 4
MODEL	KIR81ADD0G	KIL82VFE0G	KIR81VFE0G
No Frost	-	-	-
Low Frost or Manual defrost	-	•	•
Soft Close hinge	•	-	-
Type of hinge (reversible)	Fixed hinge	Fixed hinge	Fixed hinge
Home Connect	-	-	-
<b>FOOD FRESHNESS SYSTEM</b>			
VitaFresh	1 x VitaFresh drawers, 2 x Multi Box XXL	2 x Multi Box XXL	2 x Multi Box XXL
<b>KEY FEATURES – FRIDGE SECTION</b>			
Light	LED	LED	LED
Super Cool function	•	•	•
Type of control	Electronic	Electronic	Electronic
Number of shelves	5	5	6
Number of adjustable shelves	4	4	5
Number of door bins / shelves	5	5	5
Type of shelves	Safety glass	Safety glass	Safety glass
Temperature display	Digital LED	Digital LED	Digital LED
Warning signal door open	•	•	•
Bottle shelves in fridge	•	•	•
<b>KEY FEATURES – FREEZER SECTION</b>			
Super Freeze function	-	-	-
Temperature adjustable in freezer	-	-	-
Number of ice cube trays	-	1	-
Number of freezer drawers	-	-	-
<b>ADDITIONAL INFORMATION</b>			
Energy efficiency class			
Energy consumption <sup>1</sup> (kWh/annum)	91	177	114
Total net capacity (litres)	310	280	310
Freezer net capacity (litres)	-	34	-
Climate class <sup>2</sup>	SN-ST	SN-ST	SN-ST
Noise level dB(A) re 1 pW	34dB	35dB	35dB
Noise level class	B	B	B
Additional accessories included	3 x egg trays, 1 x bottle support	3 x egg trays, 1 x ice cube tray, 1 x bottle support	3 x egg trays, 1 x bottle support
Height of product (mm)	1772	1772	1772
Width of product (mm)	558	541	541
Depth of product (mm)	548	548	548

• = yes - = no  
<sup>1</sup> Actual energy consumption will depend on how the appliance is used and where it is located  
<sup>2</sup> Climate zone SN = designed to operate in ambient temperatures of +10°C to 32°C  
 Climate zone T = designed to operate in ambient temperatures of +18°C to 43°C

FREEZER 177CM	FRIDGE 177CM	FREEZER 177CM	FRIDGE 122CM
SERIES 4	SERIES 2	SERIES 2	SERIES 2
GIN81VEE0G	KIL82NSE0G	KIR81NSE0G	KIR41NSE0G
•	-	-	-
-	•	•	•
-	-	-	-
Fixed hinge	Sliding hinge	Sliding hinge	Sliding hinge
-	-	-	-
<b>FOOD FRESHNESS SYSTEM</b>			
-	2 x Multi Box XXL	2 x Multi Box XXL	1 x Multi Box XXL
<b>KEY FEATURES – FRIDGE SECTION</b>			
-	LED	LED	LED
-	•	•	•
Electronic	Electronic	Electronic	Electronic
-	5	6	5
-	4	5	4
-	5	5	4
-	Safety glass	Safety glass	Safety glass
-	Digital LED	Digital LED	Digital LED
-	•	•	•
-	-	-	-
<b>KEY FEATURES – FREEZER SECTION</b>			
•	-	-	-
•	-	-	-
1	1	-	-
5	-	-	-
<b>ADDITIONAL INFORMATION</b>			
235	177	114	101
212	280	310	204
212	34	-	-
SN-T	SN-ST	SN-ST	SN-ST
35dB	35dB	35dB	35dB
B	B	B	B
1 x ice cube tray	3 x egg trays, 1 x ice cube tray	3 x egg trays	3 x egg trays
1772	1772	1772	1221
558	541	541	541
545	548	548	548

• = yes - = no  
<sup>1</sup> Actual energy consumption will depend on how the appliance is used and where it is located  
<sup>2</sup> Climate zone SN = designed to operate in ambient temperatures of +10°C to 32°C  
 Climate zone T = designed to operate in ambient temperatures of +18°C to 43°C

5 year warranty - Offer dates 01.04.24 – 31.03.25. T&C's apply. Online registration required. Selected models only.



TYPE	FRIDGE 88CM	FREEZER 87CM	BUILT-UNDER FREEZER 82CM
DESIGN FAMILY	SERIES 2	SERIES 6	SERIES 6
MODEL	KIR21NSE0G	GIV21AFE0	GUN21VFE0G
No Frost	-	-	●
Low Frost or Manual defrost	●	●	-
Soft Close hinge	-	-	-
Type of hinge (reversible)	Sliding hinge	Fixed hinge	Fixed hinge
Home Connect	-	-	●
<b>FOOD FRESHNESS SYSTEM</b>			
VitaFresh	1 x Multi Box XXL	-	-
<b>KEY FEATURES – FRIDGE SECTION</b>			
Light	LED	-	-
Super Cool function	●	-	-
Type of control	Electronic	Electronic	Electronic
Number of shelves	3	-	-
Number of adjustable shelves	2	-	-
Number of door bins / shelves	2	-	-
Type of shelves	Safety glass	-	-
Temperature display	Digital LED	-	-
Warning signal door open	●	-	-
Bottle shelves in fridge	-	-	-
<b>KEY FEATURES – FREEZER SECTION</b>			
Super Freeze function	-	●	●
Temperature adjustable in freezer	-	●	●
Number of ice cube trays	-	1	1
Number of freezer drawers	-	3	3
<b>ADDITIONAL INFORMATION</b>			
Energy efficiency class			
Energy consumption <sup>1</sup> (kWh/annum)	92	176	189
Total net capacity (litres)	136	96	85
Freezer net capacity (litres)	-	-	85
Climate class <sup>2</sup>	SN-ST	SN-T	SN-T
Noise level dB(A) re 1 pW	35dB	36dB	35dB
Noise level class	B	C	B
Additional accessories included	3 x egg trays	1 x ice cube tray	1 x ice cube tray
Height of product (mm)	874	874	820
Width of product (mm)	541	558	598
Depth of product (mm)	548	545	548

● = yes - = no  
<sup>1</sup> Actual energy consumption will depend on how the appliance is used and where it is located  
<sup>2</sup> Climate zone SN = designed to operate in ambient temperatures of +10°C to 32°C  
 Climate zone T = designed to operate in ambient temperatures of +18°C to 43°C

BUILT-UNDER FRIDGE 82CM	BUILT-UNDER FRIDGE 82CM	STAINLESS STEEL DECORATIVE DOOR FOR UNDER COUNTER FRIDGES OR FREEZERS
SERIES 4	SERIES 4	
KUL22VFD0G	KUR21VFE0G	KUZ20SX0
-	-	-
●	●	-
-	-	-
Fixed hinge	Fixed hinge	-
●	●	-
<b>KEY FEATURES – FRIDGE SECTION</b>		
-	-	-
LED	LED	-
●	●	-
Electronic	Electronic	-
3	3	-
2	3	-
2	2	-
Safety glass	Safety glass	-
Digital LED	Digital LED	-
●	●	-
-	-	-
●	-	-
-	-	-
1	-	-
-	-	-
<b>ADDITIONAL INFORMATION</b>		
		-
119	93	-
110	134	-
17	-	-
SN-T	SN-T	-
35dB	35dB	-
B	B	-
3 x egg trays, 1 x ice cube tray	3 x egg trays	-
820	820	-
598	598	-
548	548	-

● = yes - = no  
<sup>1</sup> Actual energy consumption will depend on how the appliance is used and where it is located  
<sup>2</sup> Climate zone SN = designed to operate in ambient temperatures of +10°C to 32°C  
 Climate zone T = designed to operate in ambient temperatures of +18°C to 43°C



Available June 2024

TYPE	FRENCH	MULTI-DOOR	MULTI-DOOR
DESIGN FAMILY	SERIES 8	SERIES 6	SERIES 6
MODEL	KFF96PIEP	KFN96APEAG	KFD96APEA
Colour of door panels	Stainless steel anti fingerprint	Stainless steel anti fingerprint	Stainless steel anti fingerprint
Colour of sides	Chrome Inox-Metallic	Chrome Inox-Metallic	Chrome Inox-Metallic
Style of handle	Horizontal & vertical bar handle	Horizontal & vertical integrated handle	Horizontal & vertical integrated handle
Colour of handle	Stainless steel	Black	Black
No Frost in fridge and freezer	•	•	•
Home Connect	•	•	•
FOOD FRESHNESS SYSTEM			
VitaFresh	2 x VitaFresh drawers	2 x VitaFresh drawers	2 x VitaFresh drawers
KEY FEATURES – FRIDGE SECTION			
Product highlights	LED	LED	LED
Super Cool function	•	•	•
Type of control	Electronic	Electronic	Electronic
Number of shelves	4	4	5
Number of adjustable shelves	4	3	4
Bottle shelves in fridge	•	-	•
Number of door bins / shelves	6	5	5
Temperature display	Digital	Digital	Digital
Warning signal door open	•	•	•
KEY FEATURES – FREEZER SECTION			
Super Freeze function	•	•	•
Temperature adjustable in freezer	•	•	•
Number of ice cube trays	Automatic ice cube maker	1	Automatic ice cube maker
Ice dispenser features	Crushed ice, ice cubes, water, water filter	-	Crushed ice, ice cubes, water, water filter
Number of freezer drawers	3	6	5
ADDITIONAL INFORMATION			
Energy efficiency class			
Energy consumption <sup>1</sup> (kWh/annum)	333	333	327
Total net capacity (litres)	573	605	574
Refrigerator net capacity (litres)	402	405	375
Freezer net capacity (litres)	171	200	199
Climate class <sup>2</sup>	SN-T	SN-T	SN-T
Noise level dB(A) re 1 pW	39dB	38dB	39dB
Noise level class	C	C	C
Additional accessories included	1 x connection hose, 3 x egg trays	3 x egg trays	1 x connection hose, 3 x egg trays
Height of product (mm)	1830	1830	1830
Width of product (mm)	905	905	905
Depth of product (mm)	706	731	731

• = yes - = no  
<sup>1</sup> Actual energy consumption will depend on how the appliance is used and where it is located  
<sup>2</sup> Climate zone SN = designed to operate in ambient temperatures of +10°C to 32°C  
 Climate zone T = designed to operate in ambient temperatures of +18°C to 43°C

TYPE	MULTI-DOOR	MULTI-DOOR	AMERICAN
DESIGN FAMILY	SERIES 6	SERIES 4	SERIES 6
MODEL	KFI96APEAG	KFN96VPEAG	KAG93AIEPG
Colour of door panels	Stainless steel anti fingerprint	Stainless steel anti fingerprint	Stainless steel anti fingerprint
Colour of sides	Chrome Inox-Metallic	Chrome Inox-Metallic	Grey
Style of handle	Horizontal & vertical integrated handle	Horizontal & vertical integrated handle	Vertical bar handle
Colour of handle	Black	Black	Stainless steel
No Frost in fridge and freezer	•	•	•
Home Connect	•	•	-
FOOD FRESHNESS SYSTEM			
VitaFresh	2 x VitaFresh drawers	2 x VitaFresh drawers	2 x Multi Box drawers
KEY FEATURES – FRIDGE SECTION			
Product highlights	LED	LED	LED
Super Cool function	•	•	•
Type of control	Electronic	Electronic	Electronic
Number of shelves	5	3	5
Number of adjustable shelves	4	2	5
Bottle shelves in fridge	•	•	•
Number of door bins / shelves	5	5	5
Temperature display	Digital	Digital	Digital
Warning signal door open	•	•	•
KEY FEATURES – FREEZER SECTION			
Super Freeze function	•	•	•
Temperature adjustable in freezer	•	•	•
Number of ice cube trays	Automatic ice cube maker	1	Automatic ice cube maker
Ice dispenser features	Crushed ice, ice cubes, water, water filter	-	Crushed ice, ice cubes, water, water filter
Number of freezer drawers	6	6	2
ADDITIONAL INFORMATION			
Energy efficiency class			
Energy consumption <sup>1</sup> (kWh/annum)	333	333	323
Total net capacity (litres)	605	605	560
Refrigerator net capacity (litres)	405	405	369
Freezer net capacity (litres)	200	200	191
Climate class <sup>2</sup>	SN-T	SN-T	SN-T
Noise level dB(A) re 1 pW	38dB	38dB	42 dB
Noise level class	C	C	D
Additional accessories included	1 x connection hose, 3 x egg trays	3 x egg trays	3 x egg trays
Height of product (mm)	1830	1830	1787
Width of product (mm)	905	905	908
Depth of product (mm)	731	731	707

• = yes - = no  
<sup>1</sup> Actual energy consumption will depend on how the appliance is used and where it is located  
<sup>2</sup> Climate zone SN = designed to operate in ambient temperatures of +10°C to 32°C  
 Climate zone T = designed to operate in ambient temperatures of +18°C to 43°C

5 year warranty - Offer dates 01.04.24 - 31.03.25. T&C's apply. Online registration required. Selected models only.

## Your own personal wine cellar.

The range of stylish Bosch wine coolers blend seamlessly into your kitchen, while constantly keeping your red and white wine perfectly stored and at an ideal temperature.

TO FIND OUT MORE ABOUT OUR BOSCH WINE COOLER RANGE, PLEASE SCAN THE QR CODE BELOW:



- ✓ **Bottle capacity:** 44
- ✓ **2 temperature zones:** ranging from 5°C to 20°C
- ✓ **Oak shelves:** With telescopic rails
- ✓ **Interior LED light bar:** With on/off function for presentation

Model shown: KUW21AHG0G



TYPE	BUILT UNDER	BUILT UNDER
DESIGN FAMILY	SERIES 6	SERIES 6
MODEL	KUW21AHG0G	KUW20VHF0G
Colour of door panels	Black	Black
Colour of side panels	Black	Black
Type of glass door	3 glass panels, UV-filtered	3 glass panels, UV-filtered
Door handle type	Vertical bar handle	Vertical bar handle
Temperature display	Interior / Digital LED	Interior / Digital LED
Reversible door, hinged on right	•	•
Home Connect / Built-in cameras	-	-
<b>KEY FEATURES</b>		
Range of temperature (°C)	5 - 20	5 - 20
Temperature zones	2	1
LED light	LED	LED
Number of shelves	5	4
Number of oak shelves	3	3
Number of adjustable shelves	-	-
Presenter shelf and lighting	-	-
Capacity in 0.75l (Bordeaux bottles)	44	21
<b>KEY FEATURES</b>		
Door open warning signal/malfunction	•	•
Child lock	•	•
<b>PERFORMANCE &amp; CONSUMPTION</b>		
Energy efficiency class		
Energy consumption <sup>1</sup> (kWh/annum)	130	100
Refrigerator net capacity (litres)	120	58
Climate class <sup>2</sup>	SN-ST	SN-ST
Noise level dB(A) re 1 pW	38 dB	38 dB
Noise level class	C	C
Height of product (mm)	818	818
Width of product (mm)	598	298
Depth of product (mm)	581	567

• = yes - = no

<sup>1</sup>Actual energy consumption will depend on how the appliance is used and where it is located.

<sup>2</sup>Climate zone SN = designed to operate in ambient temperatures of +10°C to 32°C.

Climate zone T = designed to operate in ambient temperatures of +18°C to 43°C.

- ✓ 21 bottle capacity
- ✓ Wooden oak shelves
- ✓ Interior light with on/off function for presentation
- ✓ Changeable hinge

Model shown: KUW20VHF0G





TYPE	FRIDGE FREEZER	FRIDGE FREEZER	FRIDGE FREEZER
DESIGN FAMILY	SERIES 4	SERIES 4	SERIES 4
MODEL	KG86VIEA	KG492LDFG	KG392LAF
<b>DESIGN FEATURES</b>			
Colour of door panels	Stainless steel	Stainless steel	Stainless steel
Colour of sides	Pearl grey	Pearl grey	Pearl grey
Style of handle	Integrated vertical handle	Integrated vertical handle	Integrated vertical handle
Colour of handle	Stainless steel	Stainless steel	Stainless steel
No Frost in fridge and freezer	•	•	•
Home Connect	-	-	-
<b>FOOD FRESHNESS SYSTEM</b>			
VitaFresh	4 x VitaFresh drawers	2 x VitaFresh drawers	2 x VitaFresh drawers
<b>KEY FEATURES – FRIDGE SECTION</b>			
Light	LED	LED	LED
Super Cool function	•	•	•
Type of control	Electronic	Electronic	Electronic
Number of shelves	3	5	5
Number of adjustable shelves	2	3	3
Number of door bins / shelves	6	4	4
Type of shelves	Safety glass	Safety glass	Safety glass
Temperature display	Digital LED	Digital LED	Digital LED
Warning signal door open	•	•	•
Bottle shelves in fridge	•	•	•
<b>KEY FEATURES – FREEZER SECTION</b>			
Super Freeze function	•	•	•
Temperature adjustable in freezer	•	•	•
Number of ice cube trays	2	1	1
Number of freezer drawers	2	3	3
<b>ADDITIONAL INFORMATION</b>			
Energy efficiency class			
Energy consumption <sup>1</sup> (kWh/annum)	307	223	103
Total unit net capacity (litres)	631	440	363
Freezer net capacity (litres)	152	129	103
Climate Class <sup>2</sup>	SN-T	SN-T	SN-T
Noise level (dB(A) re 1 pW)	40dB	35dB	29dB
Noise level class	C	B	A
Additional accessories included	3 x egg trays, 2 x ice cube tray, 1 x bottle support	3 x egg trays, 1 x ice cube tray, 1 x bottle support	3 x egg trays, 1 x ice cube tray, 1 x bottle support
Height of product (mm)	1860	2030	2030
Width of product (mm)	860	700	700
Depth of product (mm)	810	667	667

• = yes - = no  
<sup>1</sup>Actual energy consumption will depend on how the appliance is used and where it is located.  
<sup>2</sup>Climate zone SN - designed to operate in ambient temperatures of +10°C to 32°C.  
 Climate zone T = designed to operate in ambient temperatures of +18°C to 43°C.

TYPE	FRIDGE FREEZER	FRIDGE FREEZER	FRIDGE FREEZER
DESIGN FAMILY	SERIES 4	SERIES 6	SERIES 6
MODEL	KG39VXBT	KG39AIAT	KG39AWCTG
<b>DESIGN FEATURES</b>			
Colour of door panels	Black inox	Stainless steel	White
Colour of sides	Cast iron	Pearl grey	White
Style of handle	Vertical bar handle	Vertical bar handle	Vertical bar handle
Colour of handle	Black inox	Aluminum	White
No Frost in fridge and freezer	•	•	•
Home Connect	-	-	-
<b>FOOD FRESHNESS SYSTEM</b>			
VitaFresh	2 x VitaFresh drawers	2 x VitaFresh drawers	2 x VitaFresh drawers
<b>KEY FEATURES – FRIDGE SECTION</b>			
Light	LED	LED	LED
Super Cool function	•	•	•
Type of control	Electronic	Electronic	Electronic
Number of shelves	5	5	5
Number of adjustable shelves	3	3	3
Number of door bins / shelves	4	4	4
Type of shelves	Safety glass	Safety glass	Safety glass
Temperature display	Digital LED	Digital LED	Digital LED
Warning signal door open	•	•	•
Bottle shelves in fridge	•	•	•
<b>KEY FEATURES – FREEZER SECTION</b>			
Super Freeze function	•	•	•
Temperature adjustable in freezer	•	•	•
Number of ice cube trays	1	1	1
Number of freezer drawers	3	3	3
<b>ADDITIONAL INFORMATION</b>			
Energy efficiency class			
Energy consumption <sup>1</sup> (kWh/annum)	129	104	162
Total unit net capacity (litres)	363	363	363
Freezer net capacity (litres)	103	103	103
Climate Class <sup>2</sup>	SN-T	SN-T	SN-T
Noise level (dB(A) re 1 pW)	33dB	29dB	35dB
Noise level class	B	A	B
Additional accessories included	3 x egg trays, 1 x ice cube tray, 1 x bottle support	3 x egg trays, 1 x ice cube tray, 1 x bottle support	3 x egg trays, 1 x ice cube tray, 1 x bottle support
Height of product (mm)	2030	2030	2030
Width of product (mm)	600	600	600
Depth of product (mm)	665	665	665

• = yes - = no  
<sup>1</sup>Actual energy consumption will depend on how the appliance is used and where it is located.  
<sup>2</sup>Climate zone SN - designed to operate in ambient temperatures of +10°C to 32°C.  
 Climate zone T = designed to operate in ambient temperatures of +18°C to 43°C.

5 year warranty - Offer dates 01.04.24 – 31.03.25. T&C's apply. Online registration required. Selected models only.





TYPE	FRIDGE FREEZER	FRIDGE FREEZER	FRIDGE FREEZER
DESIGN FAMILY	SERIES 4	SERIES 4	SERIES 4
MODEL	KGN392LDFG	KGN392WDFG	KGN362LDFG
<b>DESIGN FEATURES</b>			
Colour of door panels	Stainless steel	White	Stainless steel
Colour of sides	Pearl grey	White	Pearl grey
Style of handle	Integrated vertical handle	Integrated vertical handle	Integrated vertical handle
Colour of handle	Stainless steel	White	Stainless steel
No Frost in fridge and freezer	•	•	•
Home Connect	-	-	-
<b>FOOD FRESHNESS SYSTEM</b>			
VitaFresh	2 x VitaFresh drawers	2 x VitaFresh drawers	2 x VitaFresh drawers
<b>KEY FEATURES – FRIDGE SECTION</b>			
Light	LED	LED	LED
Super Cool function	•	•	•
Type of control	Electronic	Electronic	Electronic
Number of shelves	5	5	4
Number of adjustable shelves	3	3	2
Number of door bins / shelves	4	4	3
Type of shelves	Safety glass	Safety glass	Safety glass
Temperature display	Digital LED	Digital LED	Digital LED
Warning signal door open	•	•	•
Bottle shelves in fridge	•	•	•
<b>KEY FEATURES – FREEZER SECTION</b>			
Super Freeze function	•	•	•
Temperature adjustable in freezer	•	•	•
Number of ice cube trays	1	1	1
Number of freezer drawers	3	3	3
<b>ADDITIONAL INFORMATION</b>			
Energy efficiency class			
Energy consumption <sup>1</sup> (kWh/annum)	203	203	199
Total unit net capacity (litres)	363	363	321
Freezer net capacity (litres)	103	103	103
Climate Class <sup>2</sup>	SN-T	SN-T	SN-T
Noise level (dB(A) re 1 pW)	35dB	35dB	35dB
Noise level class	B	B	B
Additional accessories included	3 x egg trays, 1 x ice cube tray, 1 x bottle support	3 x egg trays, 1 x ice cube tray, 1 x bottle support	3 x egg trays, 1 x ice cube tray, 1 x bottle support
Height of product (mm)	2030	2030	1860
Width of product (mm)	600	600	600
Depth of product (mm)	665	665	665

• = yes - = no  
<sup>1</sup>Actual energy consumption will depend on how the appliance is used and where it is located.  
<sup>2</sup>Climate zone SN = designed to operate in ambient temperatures of +10°C to 32°C.  
 Climate zone T = designed to operate in ambient temperatures of +18°C to 43°C.

TYPE	FRIDGE FREEZER	FRIDGE FREEZER	FRIDGE FREEZER
DESIGN FAMILY	SERIES 4	SERIES 2	SERIES 2
MODEL	KGN362WDFG	KGN36NWEAG	KGN34NLEAG
<b>DESIGN FEATURES</b>			
Colour of door panels	White	White	Stainless steel
Colour of sides	White	White	Pearl grey
Style of handle	Integrated vertical handle	Integrated vertical handle	Integrated horizontal handle
Colour of handle	White	White	White
No Frost in fridge and freezer	•	•	•
Home Connect	-	-	-
<b>FOOD FRESHNESS SYSTEM</b>			
VitaFresh	2 x VitaFresh drawers	2 x Multi Box drawer	1 x Multi Box drawer
<b>KEY FEATURES – FRIDGE SECTION</b>			
Light	LED	LED	LED
Super Cool function	•	-	-
Type of control	Electronic	Dial/Electronic	Dial/Electronic
Number of shelves	4	4	4
Number of adjustable shelves	2	3	3
Number of door bins / shelves	3	4	4
Type of shelves	Safety glass	Safety glass	Safety glass
Temperature display	Digital LED	Digital LED	Digital LED
Warning signal door open	•	•	•
Bottle shelves in fridge	•	-	-
<b>KEY FEATURES – FREEZER SECTION</b>			
Super Freeze function	•	•	•
Temperature adjustable in freezer	•	•	•
Number of ice cube trays	1	-	-
Number of freezer drawers	3	3	3
<b>ADDITIONAL INFORMATION</b>			
Energy efficiency class			
Energy consumption <sup>1</sup> (kWh/annum)	199	239	239
Total unit net capacity (litres)	321	305	305
Freezer net capacity (litres)	103	89	89
Climate Class <sup>2</sup>	SN-T	SN-T	SN-T
Noise level (dB(A) re 1 pW)	35dB	42dB	42dB
Noise level class	B	D	D
Additional accessories included	3 x egg trays, 1 x ice cube tray, 1 x bottle support	-	-
Height of product (mm)	1860	1860	1860
Width of product (mm)	600	600	600
Depth of product (mm)	665	660	660

• = yes - = no  
<sup>1</sup>Actual energy consumption will depend on how the appliance is used and where it is located.  
<sup>2</sup>Climate zone SN = designed to operate in ambient temperatures of +10°C to 32°C.  
 Climate zone T = designed to operate in ambient temperatures of +18°C to 43°C.

5 year warranty - Offer dates 01.04.24 – 31.03.25. T&C's apply. Online registration required. Selected models only.



TYPE	FRIDGE FREEZER	FRIDGE FREEZER	FRIDGE FREEZER
DESIGN FAMILY	SERIES 2	SERIES 2	SERIES 2
MODEL	KG34NWEAG	KG33NLEAG	KG33NWEAG
<b>DESIGN FEATURES</b>			
Colour of door panels	White	Stainless steel	White
Colour of sides	White	Pearl grey	White
Style of handle	Integrated horizontal handle	Integrated horizontal handle	Integrated horizontal handle
Colour of handle	White	Dark grey	White
No Frost in fridge and freezer	●	●	●
Home Connect	-	-	-
<b>FOOD FRESHNESS SYSTEM</b>			
VitaFresh	1 x MultiBox drawer	1 x Multi Box drawer	1 x Multi Box drawer
<b>KEY FEATURES – FRIDGE SECTION</b>			
Light	LED	LED	LED
Super Cool function	-	-	-
Type of control	Dial/Electronic	Dial/Electronic	Dial/Electronic
Number of shelves	4	3	3
Number of adjustable shelves	3	2	2
Number of door bins / shelves	4	3	3
Type of shelves	Safety glass	Safety glass	Safety glass
Temperature display	Digital LED	Digital LED	Digital LED
Warning signal door open	●	●	●
Bottle shelves in fridge	-	-	-
<b>KEY FEATURES – FREEZER SECTION</b>			
Super Freeze function	●	●	●
Temperature adjustable in freezer	●	●	●
Number of ice cube trays	-	-	-
Number of freezer drawers	3	3	3
<b>ADDITIONAL INFORMATION</b>			
Energy efficiency class			
Energy consumption <sup>1</sup> (kWh/annum)	239	237	237
Total unit net capacity (litres)	305	282	282
Freezer net capacity (litres)	89	89	89
Climate Class <sup>2</sup>	SN-T	SN-T	SN-T
Noise level (dB(A) re 1 pW)	42dB	42dB	42dB
Noise level class	D	D	D
Additional accessories included	-	3 x egg trays	3 x egg trays
Height of product (mm)	1860	1760	1760
Width of product (mm)	600	600	600
Depth of product (mm)	660	660	660

● = yes - = no  
<sup>1</sup>Actual energy consumption will depend on how the appliance is used and where it is located.  
<sup>2</sup>Climate zone SN = designed to operate in ambient temperatures of +10°C to 32°C.  
 Climate zone T = designed to operate in ambient temperatures of +18°C to 43°C.

TYPE	FRIDGE FREEZER	FRIDGE FREEZER	FRIDGE FREEZER
DESIGN FAMILY	SERIES 2	SERIES 2	SERIES 2
MODEL	KG27NBEAG	KG27NLEAG	KG27NWEAG
<b>DESIGN FEATURES</b>			
Colour of door panels	Black	Stainless steel	White
Colour of sides	Black	Grey	White
Style of handle	Integrated vertical handle	Integrated vertical handle	Integrated vertical handle
Colour of handle	Black	Stainless steel	White
No Frost in fridge and freezer	●	●	●
Home Connect	-	-	-
<b>FOOD FRESHNESS SYSTEM</b>			
VitaFresh	1 x Multi Box drawer	1 x Multi Box drawer	1 x Multi Box drawer
<b>KEY FEATURES – FRIDGE SECTION</b>			
Light	LED	LED	LED
Super Cool function	-	-	-
Type of control	Dial	Dial	Dial
Number of shelves	3	3	3
Number of adjustable shelves	2	2	2
Number of door bins / shelves	3	3	3
Type of shelves	Safety glass	Safety glass	Safety glass
Temperature display	Digital LED	Digital LED	Digital LED
Warning signal door open	-	-	-
Bottle shelves in fridge	●	●	●
<b>KEY FEATURES – FREEZER SECTION</b>			
Super Freeze function	-	-	-
Temperature adjustable in freezer	-	-	-
Number of ice cube trays	1	1	1
Number of freezer drawers	4	4	4
<b>ADDITIONAL INFORMATION</b>			
Energy efficiency class			
Energy consumption <sup>1</sup> (kWh/annum)	229	229	229
Total unit net capacity (litres)	255	255	255
Freezer net capacity (litres)	84	84	84
Climate Class <sup>2</sup>	SN-ST	SN-ST	SN-ST
Noise level (dB(A) re 1 pW)	41dB	41dB	41dB
Noise level class	C	C	C
Additional accessories included	3 x egg trays, 1 x ice cube tray, 1 x bottle support	3 x egg trays, 1 x ice cube tray, 1 x bottle support	3 x egg trays, 1 x ice cube tray, 1 x bottle support
Height of product (mm)	1824	1824	1824
Width of product (mm)	550	550	550
Depth of product (mm)	557	557	557

● = yes - = no  
<sup>1</sup>Actual energy consumption will depend on how the appliance is used and where it is located.  
<sup>2</sup>Climate zone SN = designed to operate in ambient temperatures of +10°C to 32°C.  
 Climate zone T = designed to operate in ambient temperatures of +18°C to 43°C.



TYPE	FRIDGE FREEZER	FRIDGE FREEZER	FRIDGE FREEZER
DESIGN FAMILY	SERIES 6	SERIES 6	SERIES 4
MODEL	KGE49AICAG	KGE49AWCAG	KGV39VLEAG
<b>DESIGN FEATURES</b>			
Colour of door panels	Stainless steel	White	Stainless steel
Colour of sides	Silver inox	White	Pearl grey
Style of handle	Integrated vertical handle	Integrated vertical handle	Integrated vertical handle
Colour of handle	Stainless steel	White	Stainless steel
No Frost in fridge and freezer	Low Frost	Low Frost	Low Frost
Home Connect	-	-	-
<b>FOOD FRESHNESS SYSTEM</b>			
VitaFresh	2 x VitaFresh drawers	2 x VitaFresh drawers	1 x VitaFresh drawer
<b>KEY FEATURES – FRIDGE SECTION</b>			
Light	LED	LED	LED
Super Cool function	●	●	-
Type of control	Electronic	Electronic	Electronic
Number of shelves	5	5	5
Number of adjustable shelves	2	2	2
Number of door bins / shelves	4	4	4
Type of shelves	Safety glass	Safety glass	Safety glass
Temperature display	Digital LED	Digital LED	Digital LED
Warning signal door open	●	●	-
Bottle shelves in fridge	●	●	●
<b>KEY FEATURES – FREEZER SECTION</b>			
Super Freeze function	●	●	●
Temperature adjustable in freezer	●	●	-
Number of ice cube trays	-	-	-
Number of freezer drawers	3	3	3
<b>ADDITIONAL INFORMATION</b>			
Energy efficiency class			
Energy consumption <sup>1</sup> (kWh/annum)	163	163	233
Total unit net capacity (litres)	419	419	343
Freezer net capacity (litres)	117	117	94
Climate Class <sup>2</sup>	SN-T	SN-T	SN-T
Noise level (dB(A) re 1 pW)	38dB	38dB	39dB
Noise level class	C	C	C
Additional accessories included	3 x egg trays, 1 x bottle support	3 x egg trays, 1 x bottle support	3 x egg trays, 1 x bottle support
Height of product (mm)	2010	2010	2010
Width of product (mm)	700	700	600
Depth of product (mm)	650	650	650

● = yes - = no  
<sup>1</sup>Actual energy consumption will depend on how the appliance is used and where it is located.  
<sup>2</sup>Climate zone SN = designed to operate in ambient temperatures of +10°C to 32°C.  
 Climate zone T = designed to operate in ambient temperatures of +18°C to 43°C.

TYPE	FRIDGE FREEZER	FRIDGE FREEZER	FRIDGE FREEZER
DESIGN FAMILY	SERIES 4	SERIES 4	SERIES 4
MODEL	KGV39VWEAG	KGV33VLEAG	KGV33GWEAG
<b>DESIGN FEATURES</b>			
Colour of door panels	White	Stainless steel	White
Colour of sides	White	Pearl grey	White
Style of handle	Integrated vertical handle	Integrated vertical handle	Integrated vertical handle
Colour of handle	White	Pearl grey	White
No Frost in fridge and freezer	Low Frost	Low Frost	Low Frost
Home Connect	-	-	-
<b>FOOD FRESHNESS SYSTEM</b>			
VitaFresh	1 x VitaFresh drawer	1 x VitaFresh drawer	1 x VitaFresh drawer
<b>KEY FEATURES – FRIDGE SECTION</b>			
Light	LED	LED	LED
Super Cool function	-	-	-
Type of control	Electronic	Electronic	Electronic
Number of shelves	5	4	4
Number of adjustable shelves	2	2	2
Number of door bins / shelves	4	3	3
Type of shelves	Safety glass	Safety glass	Safety glass
Temperature display	Digital LED	Digital LED	Digital LED
Warning signal door open	-	-	-
Bottle shelves in fridge	●	-	-
<b>KEY FEATURES – FREEZER SECTION</b>			
Super Freeze function	●	●	●
Temperature adjustable in freezer	-	-	-
Number of ice cube trays	-	1	1
Number of freezer drawers	3	3	3
<b>ADDITIONAL INFORMATION</b>			
Energy efficiency class			
Energy consumption <sup>1</sup> (kWh/annum)	233	228	228
Total unit net capacity (litres)	343	289	289
Freezer net capacity (litres)	94	94	94
Climate Class <sup>2</sup>	SN-T	SN-T	SN-T
Noise level (dB(A) re 1 pW)	39dB	39dB	39dB
Noise level class	C	C	C
Additional accessories included	3 x egg trays, 1 x bottle support	3 x egg trays, 1 x ice cube tray, 1 x bottle support	3 x egg trays, 1 x ice cube tray, 1 x bottle support
Height of product (mm)	2010	1760	1760
Width of product (mm)	600	600	600
Depth of product (mm)	650	650	650

● = yes - = no  
<sup>1</sup>Actual energy consumption will depend on how the appliance is used and where it is located.  
<sup>2</sup>Climate zone SN = designed to operate in ambient temperatures of +10°C to 32°C.  
 Climate zone T = designed to operate in ambient temperatures of +18°C to 43°C.



TYPE	FRIDGE	FRIDGE	FRIDGE
DESIGN FAMILY	SERIES 4	SERIES 4	SERIES 4
MODEL	KSV36VLEP	KSV36VWEPG	KSV33VWEPG
<b>DESIGN FEATURES</b>			
Colour of door panels	Silver inox	White	White
Colour of sides	Pearl grey	White	White
Style of handle	Vertical bar handle	Vertical bar handle	Vertical bar handle
Colour of handle	Pearl grey	White	White
No Frost in fridge and freezer	Low Frost	Low Frost	Low Frost
Home Connect	-	-	-
<b>FOOD FRESHNESS SYSTEM</b>			
VitaFresh	1 x VitaFresh drawer	1 x VitaFresh drawer	1 x VitaFresh drawer
<b>KEY FEATURES – FRIDGE SECTION</b>			
Light	LED	LED	LED
Super Cool function	●	●	●
Type of control	Electronic	Electronic	Electronic
Number of shelves	7	7	7
Number of adjustable shelves	5	5	5
Number of door bins / shelves	5	5	5
Type of shelves	Safety glass	Safety glass	Safety glass
Temperature display	Digital LED	Digital LED	Digital LED
Warning signal door open	-	-	-
Bottle shelves in fridge	●	●	●
<b>KEY FEATURES – FREEZER SECTION</b>			
Super Freeze function	-	-	-
Temperature adjustable in freezer	-	-	-
Number of ice cube trays	-	-	-
Number of freezer drawers	-	-	-
<b>ADDITIONAL INFORMATION</b>			
Energy efficiency class			
Energy consumption <sup>1</sup> (kWh/annum)	116	116	113
Total unit net capacity (litres)	346	346	324
Freezer net capacity (litres)	-	-	-
Climate Class <sup>2</sup>	SN-T	SN-T	SN-T
Noise level (dB(A) re 1 pW)	39dB	39dB	39dB
Noise level class	C	C	C
Additional accessories included	3 x egg trays	3 x egg trays, 1 x bottle support	3 x egg trays, 1 x bottle support
Height of product (mm)	1860	1860	1760
Width of product (mm)	600	600	600
Depth of product (mm)	650	650	650

● = yes - = no  
<sup>1</sup>Actual energy consumption will depend on how the appliance is used and where it is located.  
<sup>2</sup>Climate zone SN = designed to operate in ambient temperatures of +10°C to 32°C.  
 Climate zone T = designed to operate in ambient temperatures of +18°C to 43°C.

For full specification details, please log onto our website and download a full specification sheet.

Explore more at [bosch-home.co.uk](https://www.bosch-home.co.uk) / [bosch-home.ie](https://www.bosch-home.ie)

TYPE	FRIDGE
DESIGN FAMILY	SERIES 2
MODEL	KSV29NWEPG
<b>DESIGN FEATURES</b>	
Colour of door panels	White
Colour of sides	White
Style of handle	Vertical bar handle
Colour of handle	White
No Frost in fridge and freezer	Low Frost
Home Connect	-
<b>FOOD FRESHNESS SYSTEM</b>	
VitaFresh	1 x Multi Box drawer
<b>KEY FEATURES – FRIDGE SECTION</b>	
Light	LED
Super Cool function	●
Type of control	Electronic
Number of shelves	5
Number of adjustable shelves	4
Number of door bins / shelves	4
Type of shelves	Safety glass
Temperature display	Digital LED
Warning signal door open	-
Bottle shelves in fridge	●
<b>KEY FEATURES – FREEZER SECTION</b>	
Super Freeze function	-
Temperature adjustable in freezer	-
Number of ice cube trays	-
Number of freezer drawers	-
<b>ADDITIONAL INFORMATION</b>	
Energy efficiency class	
Energy consumption <sup>1</sup> (kWh/annum)	109
Total unit net capacity (litres)	290
Freezer net capacity (litres)	-
Climate Class <sup>2</sup>	SN-T
Noise level (dB(A) re 1 pW)	39dB
Noise level class	C
Additional accessories included	3 x egg trays
Height of product (mm)	1610
Width of product (mm)	600
Depth of product (mm)	650

● = yes - = no  
<sup>1</sup>Actual energy consumption will depend on how the appliance is used and where it is located.  
<sup>2</sup>Climate zone SN = designed to operate in ambient temperatures of +10°C to 32°C.  
 Climate zone T = designed to operate in ambient temperatures of +18°C to 43°C.

For full specification details, please log onto our website and download a full specification sheet.

Making **life easy** through innovative technologies



TYPE	FREEZER	FREEZER	FREEZER
DESIGN FAMILY	SERIES 4	SERIES 4	SERIES 4
MODEL	GSN36VWEPG	GSN33VWEPG	GSN29VWEVG
<b>DESIGN FEATURES</b>			
Colour of door panels	White	White	White
Colour of sides	White	White	White
Style of handle	Vertical bar handle	Vertical bar handle	Vertical bar handle
Colour of handle	White	White	White
No Frost in fridge and freezer	●	●	●
Home Connect	-	-	-
<b>FOOD FRESHNESS SYSTEM</b>			
VitaFresh	-	-	-
<b>KEY FEATURES – FRIDGE SECTION</b>			
Light	-	-	-
Super Cool function	-	-	-
Type of control	-	-	-
Number of shelves	Electronic	Electronic	Electronic
Number of adjustable shelves	-	-	-
Number of door bins / shelves	-	-	-
Type of shelves	-	-	-
Temperature display	-	-	-
Warning signal door open	●	●	●
Bottle shelves in fridge	-	-	-
<b>KEY FEATURES – FREEZER SECTION</b>			
Super Freeze function	●	●	●
Temperature adjustable in freezer	●	●	●
Number of ice cube trays	1	1	1
Number of freezer drawers	4	4	5
<b>ADDITIONAL INFORMATION</b>			
Energy efficiency class			
Energy consumption <sup>1</sup> (kWh/annum)	234	229	221
Total unit net capacity (litres)	242	225	200
Freezer net capacity (litres)	-	-	-
Climate Class <sup>2</sup>	SN-T	SN-T	SN-T
Noise level (dB(A) re 1 pW)	39dB	39dB	39dB
Noise level class	C	C	C
Additional accessories included	1 x ice cube tray	1 x ice cube tray	1 x ice cube tray
Height of product (mm)	1860	1760	1610
Width of product (mm)	600	600	600
Depth of product (mm)	650	650	650

● = yes - = no  
<sup>1</sup>Actual energy consumption will depend on how the appliance is used and where it is located.  
<sup>2</sup>Climate zone SN = designed to operate in ambient temperatures of +10°C to 32°C.  
 Climate zone T = designed to operate in ambient temperatures of +18°C to 43°C.

For full specification details, please log onto our website and download a full specification sheet.

Explore more at [bosch-home.co.uk](https://www.bosch-home.co.uk) / [bosch-home.ie](https://www.bosch-home.ie)



TYPE	UNDERCOUNTER FRIDGE	UNDERCOUNTER FRIDGE	UNDERCOUNTER FREEZER
DESIGN FAMILY	SERIES 2	SERIES 2	SERIES 2
MODEL	KTR15NWECC	KTL15NWECC	GTV15NWEAG
<b>DESIGN FEATURES</b>			
Colour of door panels	White	White	White
Colour of sides	White	White	White
Style of handle	Integrated horizontal handle	Integrated horizontal handle	Integrated horizontal handle
Colour of handle	White	White	White
No Frost in fridge and freezer	Low Frost	Low Frost	Low Frost
Home Connect	-	-	-
<b>FOOD FRESHNESS SYSTEM</b>			
VitaFresh	1 x Multi Box drawer	1 x Multi Box drawer	-
<b>KEY FEATURES – FRIDGE SECTION</b>			
Light	LED	LED	-
Super Cool function	-	-	-
Type of control	Dial	Electronic	Dial
Number of shelves	3	2	-
Number of adjustable shelves	1	1	-
Number of door bins / shelves	3	3	-
Type of shelves	Safety glass	Safety glass	-
Temperature display	Manual dial	Digital LED	-
Warning signal door open	-	-	-
Bottle shelves in fridge	-	-	-
<b>KEY FEATURES – FREEZER SECTION</b>			
Super Freeze function	-	-	-
Temperature adjustable in freezer	-	-	-
Number of ice cube trays	-	-	-
Number of freezer drawers	-	-	-
<b>ADDITIONAL INFORMATION</b>			
Energy efficiency class			
Energy consumption <sup>1</sup> (kWh/annum)	91	139	164
Total unit net capacity (litres)	134	120	83
Freezer net capacity (litres)	-	14	-
Climate Class <sup>2</sup>	SN-T	SN-ST	SN-T
Noise level (dB(A) re 1 pW)	39dB	39dB	39dB
Noise level class	C	C	C
Additional accessories included	2 x egg trays	2 x egg trays	-
Height of product (mm)	850	850	850
Width of product (mm)	560	560	560
Depth of product (mm)	580	580	580

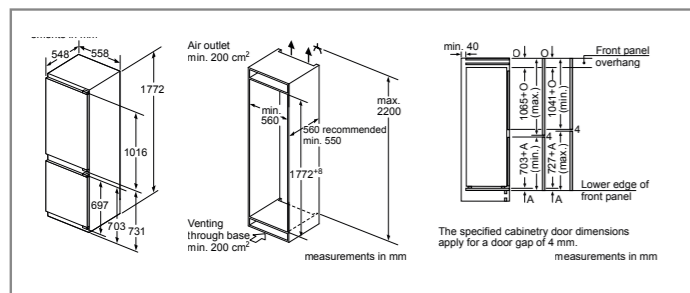
● = yes - = no  
<sup>1</sup>Actual energy consumption will depend on how the appliance is used and where it is located.  
<sup>2</sup>Climate zone SN = designed to operate in ambient temperatures of +10°C to 32°C.  
 Climate zone T = designed to operate in ambient temperatures of +18°C to 43°C.

For full specification details, please log onto our website and download a full specification sheet.

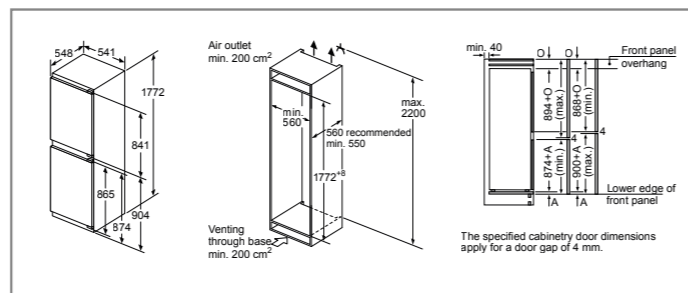
Making **life easy** through innovative technologies

# Integrated cooling technical diagrams

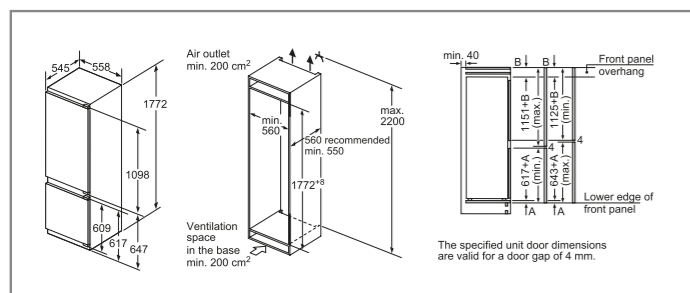
## Fridge freezers, fridges and freezers



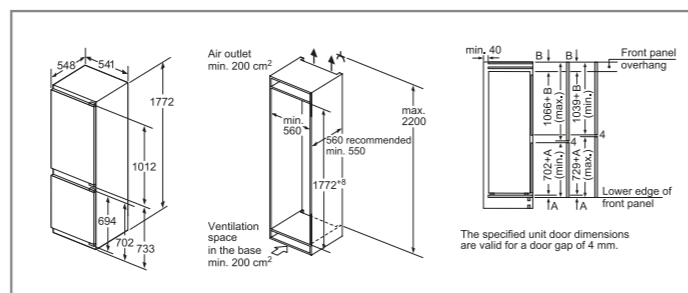
KIN86ADD0



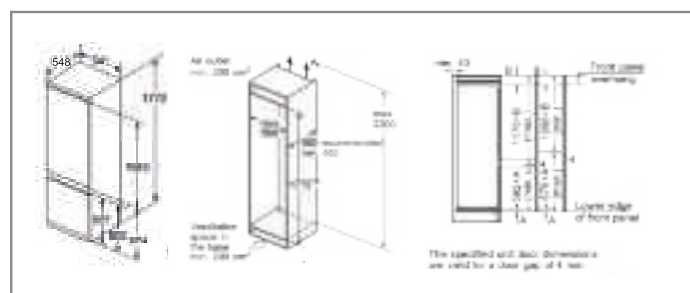
KIN85NFE0G, KIN85NSE0G



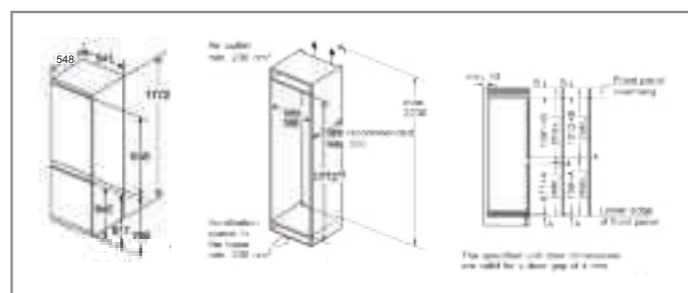
KIS87AFE0G, KIV87NSE0G



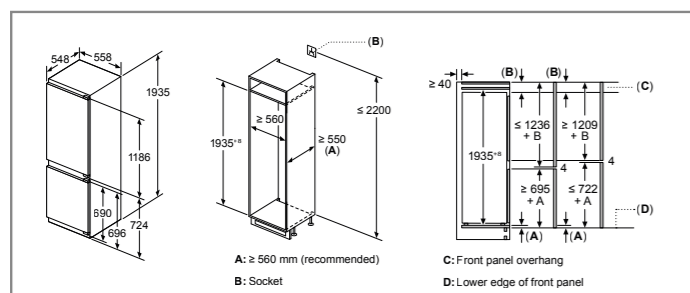
KIN86NFE0G, KIN86VFE0G



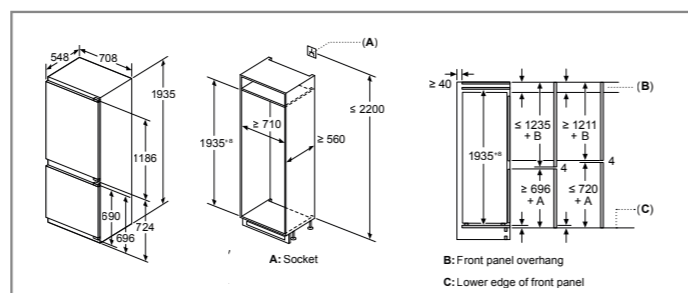
KIV87VSE0G, KIV87NSF0G



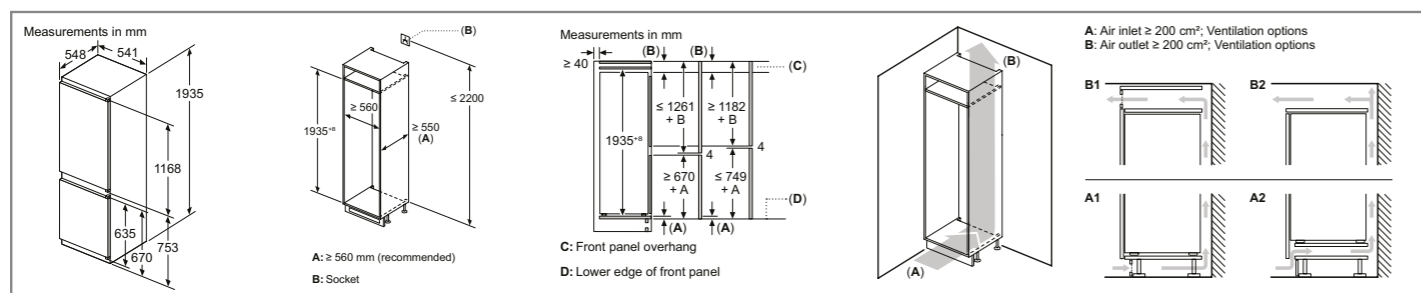
KIV86VSE0G, KIN86VSE0G, KIN86NSE0G



KIN96VFD0



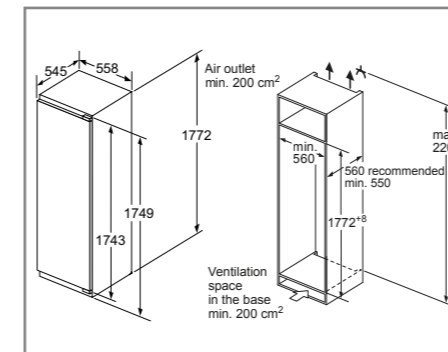
KBN96VFE0G



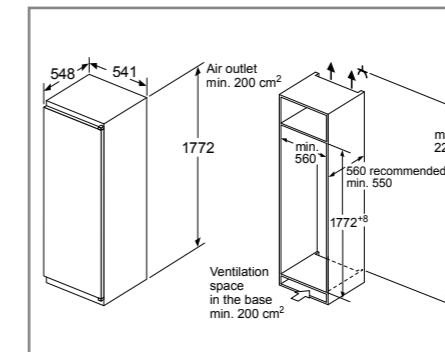
KIN96NSE0

# Integrated cooling technical diagrams

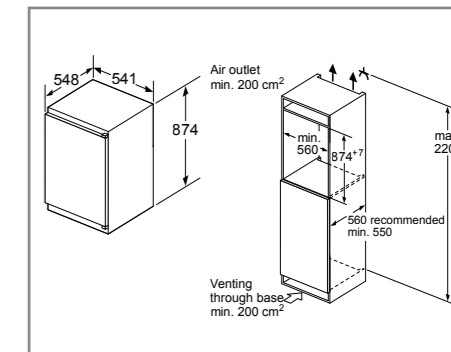
## Single door fridges and freezers



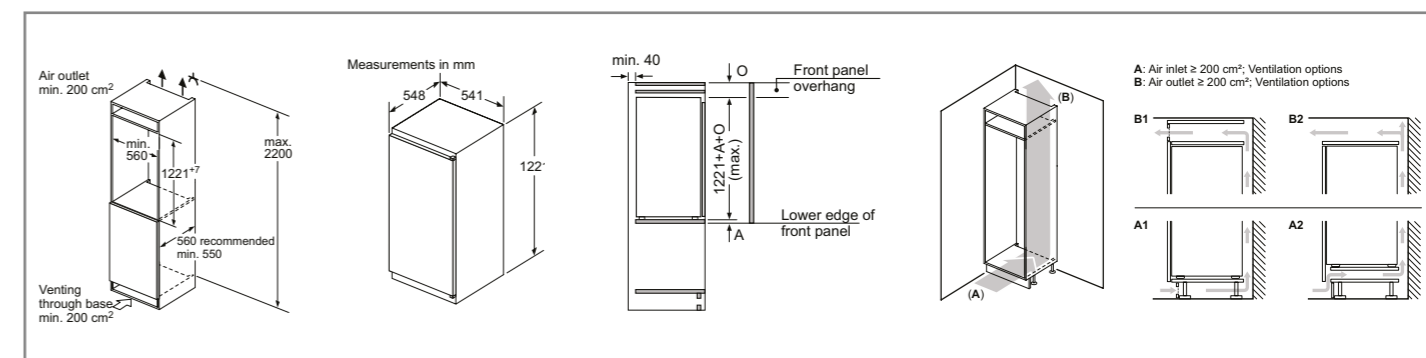
KIL82VFE0G, KIL82ADD0, KIL82NSE0G, KIR81ADD0G, KIR81VFE0G



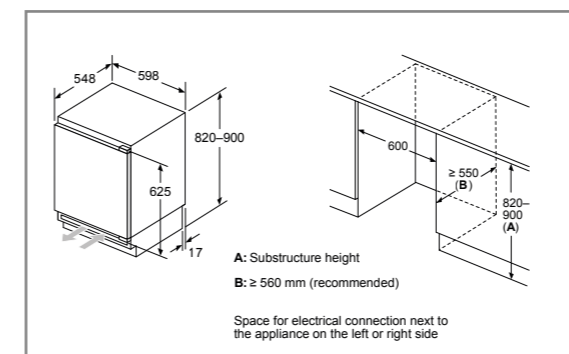
KIR81NSE0G, GIN81VEE0G



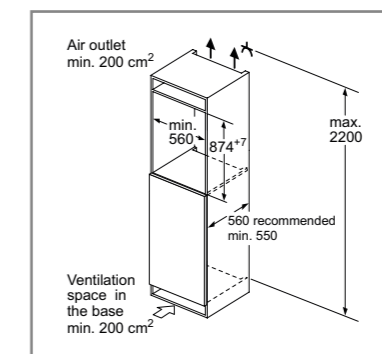
KIR21NSE0G



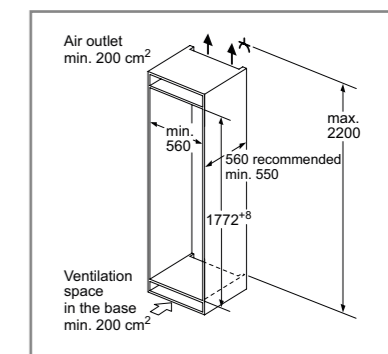
KIR41NSE0G



KUL22VFD0G, KUR21VFE0G, GUN21VFE0G



GIV21AFE0



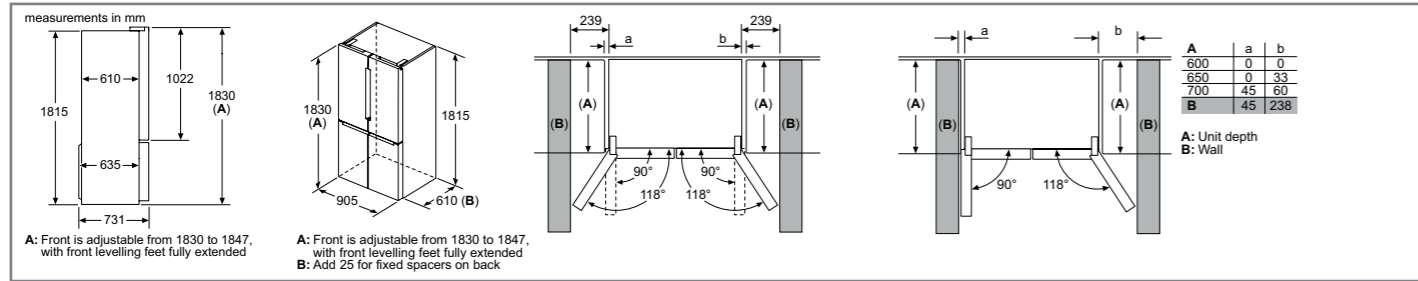
KIN86ADD0

All diagram measurements are in millimetres (mm)

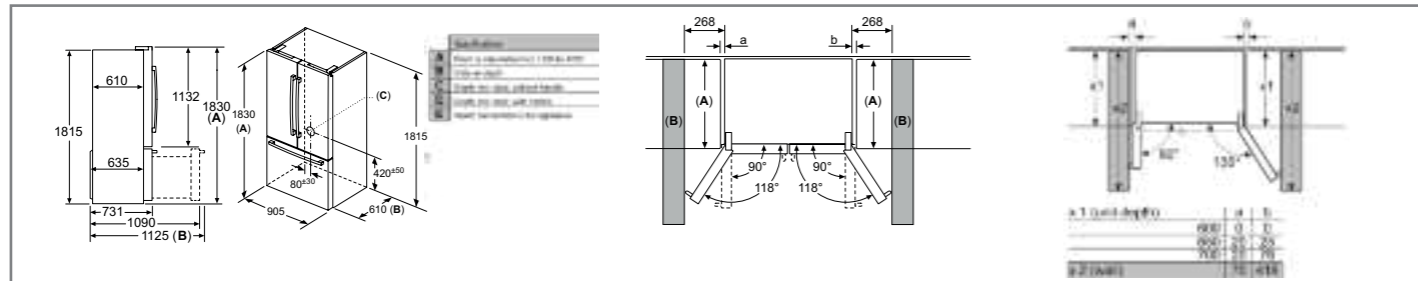
We try to keep up to date with constant technological improvements, so from time to time we may update installation guidelines. Therefore we strongly recommend that you download the latest installation guidelines from [www.bosch-home.co.uk](http://www.bosch-home.co.uk). Line drawings are for guidance only, and we recommend that you refer to the latest installation guidelines. Though every care is taken to ensure instructions are correct at the time of printing, Bosch cannot accept responsibility for incorrect planning or installation as a result of the use of these line drawings.

## Cooling technical diagrams

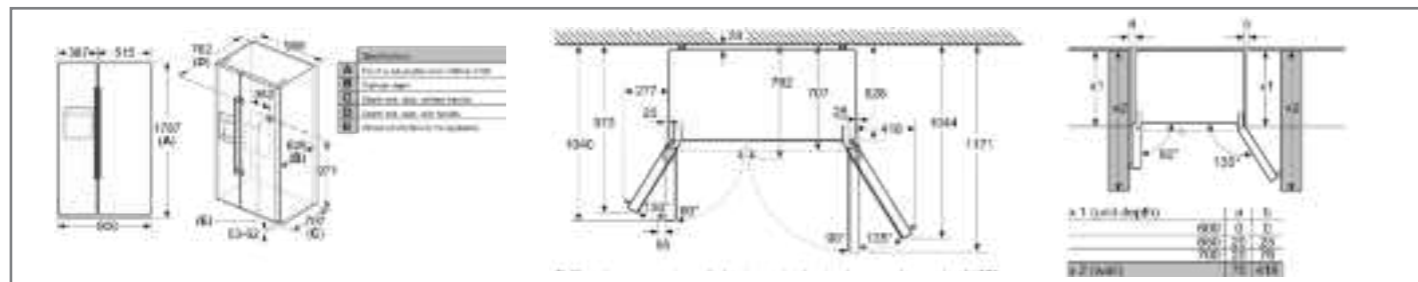
### American-style & multi-door fridge freezers



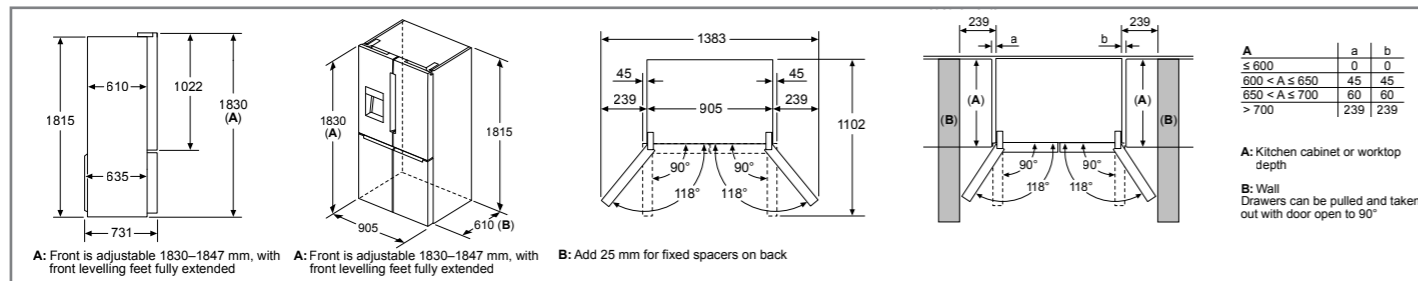
KFN96APEAG, KFN96VPEAG



KFF96PIEP

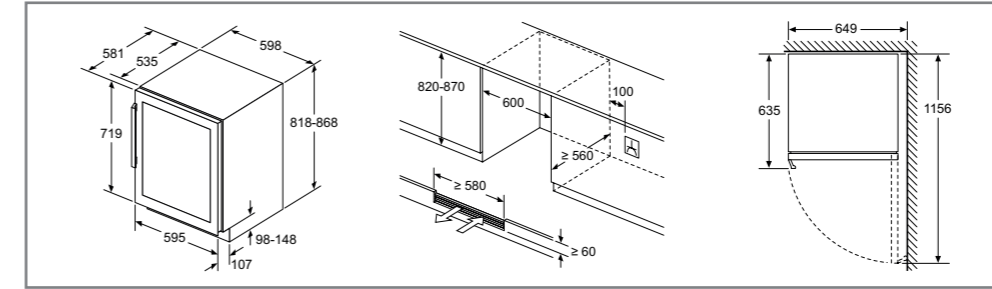


KAG93AIEPG

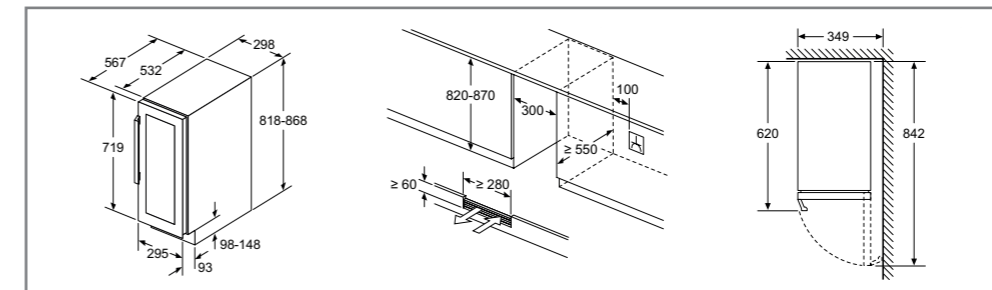


KFD96APEA, KF196APEAG

### Wine cabinets



KUW21AHGOG



KUW20VHF0G

All diagram measurements are in millimetres (mm)

We try to keep up to date with constant technological improvements, so from time to time we may update installation guidelines. Therefore we strongly recommend that you download the latest installation guidelines from [www.bosch-home.co.uk](http://www.bosch-home.co.uk). Line drawings are for guidance only, and we recommend that you refer to the latest installation guidelines. Though every care is taken to ensure instructions are correct at the time of printing, Bosch cannot accept responsibility for incorrect planning or installation as a result of the use of these line drawings.

### Cooling accessories

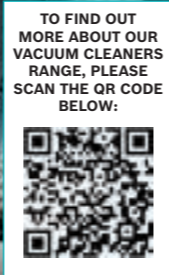
COOLING ACCESSORIES	WHITE	STAINLESS STEEL
203cm Joining strips		
Model	KSZ39AW00	KSZ39AL00

All diagram measurements are in millimetres (mm)

We try to keep up to date with constant technological improvements, so from time to time we may update installation guidelines. Therefore we strongly recommend that you download the latest installation guidelines from [www.bosch-home.co.uk](http://www.bosch-home.co.uk). Line drawings are for guidance only, and we recommend that you refer to the latest installation guidelines. Though every care is taken to ensure instructions are correct at the time of printing, Bosch cannot accept responsibility for incorrect planning or installation as a result of the use of these line drawings.

### Vacuum cleaners

Bosch looks back on over 80 years of vacuum cleaner experience, and more than 50 years of battery expertise. The result: innovative technology that makes cleaning your home as easy, and enjoyable, as possible. Performance, convenience, or usability, the right vacuum cleaner from Bosch exceeds even the highest expectations.



Model shown: BCS711GB



### The pioneers of power

Today, Bosch's batteries are unrivalled, offering compact and lightweight long-life batteries that consistently deliver on power, performance and efficiency – making Bosch the number one choice for cordless technology in the home and garden. The exchangeable **Power4All System** only requires a single battery pack, which means complete flexibility when charging. The battery is part of our Power4All system so it's compatible with more than 20 power tools and lawn and garden products from Bosch.

## Our range of vacuum cleaners

Whether you need your vacuum to be flexible enough to tackle those hard to reach places, to vacuum and mop at the same time for convenience or powerful enough to take on your whole house from floor to ceiling, the Bosch range of vacuums has a model to suit you.



Model shown: BCS712GB



Model shown: BCS71HYGGB



Model shown: BH3280GB

### The Unlimited

The never ending one. Works on so many levels.

Provides the perfect combination of high performance and flexibility. Powered by the Power for All Alliance the battery is exchangeable and is one of the largest cross-brand 18V battery systems in the market. Thorough but flexible vacuuming with the most compact and lightest cordless multi-use handstick the Unlimited range guarantees effective cleaning on all kinds of floors.

### The Unlimited 7 Aqua The Flexxo

The convenient one. Vacuum and mop in one go.

Offers highly effective cleaning by fusing vacuuming and mopping together in one appliance, allowing you to tackle dusty floors and stained surfaces at the same time. With a range of features to enable this, you can now save time and avoid the need to clean twice.

For dry and carpet cleaning, simply swap on the the AllFloor Dynamic Power Brush that comes in the same box.

The flexible one. Perfect for those hard to reach spaces.

Easy to use, fast and thorough, the cordless Flexxo 2in1 handheld and handstick vacuum cleaner is lightweight and compact.

## Bosch Motor Technology – Power made in Germany.

At Bosch we design motors to make a difference. And because we not only expect a vacuum cleaner to deliver optimal results but also to be long-lasting, we guarantee you high performance with our free 10 years motor warranty\*.

\*Terms of warranty can be found on [bosch-home.co.uk](http://bosch-home.co.uk)







## Coffee machines

Select your coffee intensity at the push of a button.

The TASSIMO FINESSE coffee machine enables you to select a more intense drink easily. Simply press the start button for 3 seconds and 'IntensityBoost' will provide a stronger drink. Enjoy a huge choice of over 50 drinks, including big-brand favourites like Costa, L'Or and Kenco, to enjoy at home with family and friends. And once enjoyed your Tassimo pods are easy to recycle using the free Podback recycling service.

**INTELLIBREW** barcode reader.

Thanks to patented barcode technology INTELLIBREW™, the drink specialities from Tassimo are always perfectly prepared with the correct amount of water, at the right temperature and for the right brewing time.

TO FIND OUT MORE ABOUT OUR TASSIMO RANGE, PLEASE SCAN THE QR CODE BELOW:



**Integrated descaling system** – for a long appliance life and excellent taste.

**Auto-off** – safe and energy-saving, as the device switches off automatically after 40 minutes of keeping it warm.

**Removable water tank** – easy and quick to fill directly under the tap.

### DualHeating System

Coffee must be brewed at the correct temperature to ensure that the full aroma can develop. Two powerful sensor-controlled heating systems ensure that the brewing water is heated to the ideal temperature of 92-96 °C. The second heating system keeps the coffee warm at 80-85 °C.

**VolumeAutomatic** – a sensor in the water tank that detects how many cups are required, then automatically adjusts the brewing time and optimises the brewing process.

## Food preparation

Our multi-use stand mixers, food mixers and processors are packed with innovative, labour-saving technology so you can chop, blend, shred, mix and whisk your way more quickly through your food preparation task.



TO FIND OUT MORE ABOUT OUR FOOD PREP RANGE, PLEASE SCAN THE QR CODE BELOW:



With the TouchControl display you can choose between 7 temperature settings from 70 °C to boiling.

TO FIND OUT MORE ABOUT OUR KETTLE AND TOASTER RANGE, PLEASE SCAN THE QR CODE BELOW:



## Kettles & toasters

### Breakfast at your fingertips.

With an elegant design and the latest heating technology that features across our range, the Sky kettle and toaster will help you start every morning the right way.

Download a copy of our catalogues online at [www.bosch-home.ie](http://www.bosch-home.ie) or call **0344 892 8979**

**Contact Bosch Customer Service**

To arrange an engineer visit, obtain product advice or order replacement spare parts or accessories visit [www.bosch-home.co.uk](http://www.bosch-home.co.uk) or call **0344 892 8979**

Republic of Ireland customers should visit [www.bosch-home.ie](http://www.bosch-home.ie) to arrange an engineer's visit, or to order spare parts and accessories, or call **(01) 450 2655**



BoschHomeIE



BoschHomeUK



boschhomeireland



BoschHomeUKandIreland



boschhomeuk

Calls are charged at the basic rate, please check with your telephone service provider for exact charges.

Disclaimer: This brochure is current as from the publication date and supersedes all previous brochures for these products. This brochure should not be regarded as an infallible guide nor as an offer for sale of any particular product. Whilst BSH Home Appliances Ltd believes that all information contained within this brochure is correct at the time of going to print, no representation or warranty, express or implied, is or will be made and no responsibility or liability is or will be accepted by BSH Home Appliances Ltd in relation to the accuracy or completeness of this information and any liability is expressly disclaimed. To the extent permitted by law, BSH Home Appliances Ltd expressly excludes: i) all conditions, warranties and other terms which might otherwise be implied by statute, common law or the law of equity and ii) any liability for any direct, indirect or consequential loss or damage (including, without limitation, damages for loss of business or loss of profits) arising in contract, tort or otherwise from the use of or reliance on any information contained within this brochure or from any action or decision taken as a result of such use or reliance. BSH Home Appliances Ltd reserves the right to modify technical data and all other information contained within this brochure without notice. All rights reserved. No part of this publication may be reproduced in any form or without the prior written permission of BSH Home Appliances Ltd. All colour variations are due to the limitations of the printing process. We recommend a visit to a Bosch dealer to confirm that specifications and colours are to your satisfaction.

June 2024.

**BSH Home Appliances Limited**

Grand Union House  
Old Wolverton Road, Wolverton  
Milton Keynes MK12 5PT  
[www.bosch-home.co.uk](http://www.bosch-home.co.uk)

**BSH Home Appliances Limited**

M50 Business Park  
Ballymount, Dublin 12  
**Tel: 01 450 2655**  
[www.bosch-home.ie](http://www.bosch-home.ie)