



accent|line

Ultimate Simplicity Cutting-edge Design

Best of the best global award



Ultimate Simplicity

Cutting-edge Design

Simple design merged with distinctive aesthetics and modern functionality, the Bosch accent | line Carbon Black series represents the fusion between the kitchen and living space.

Seamless aesthetics

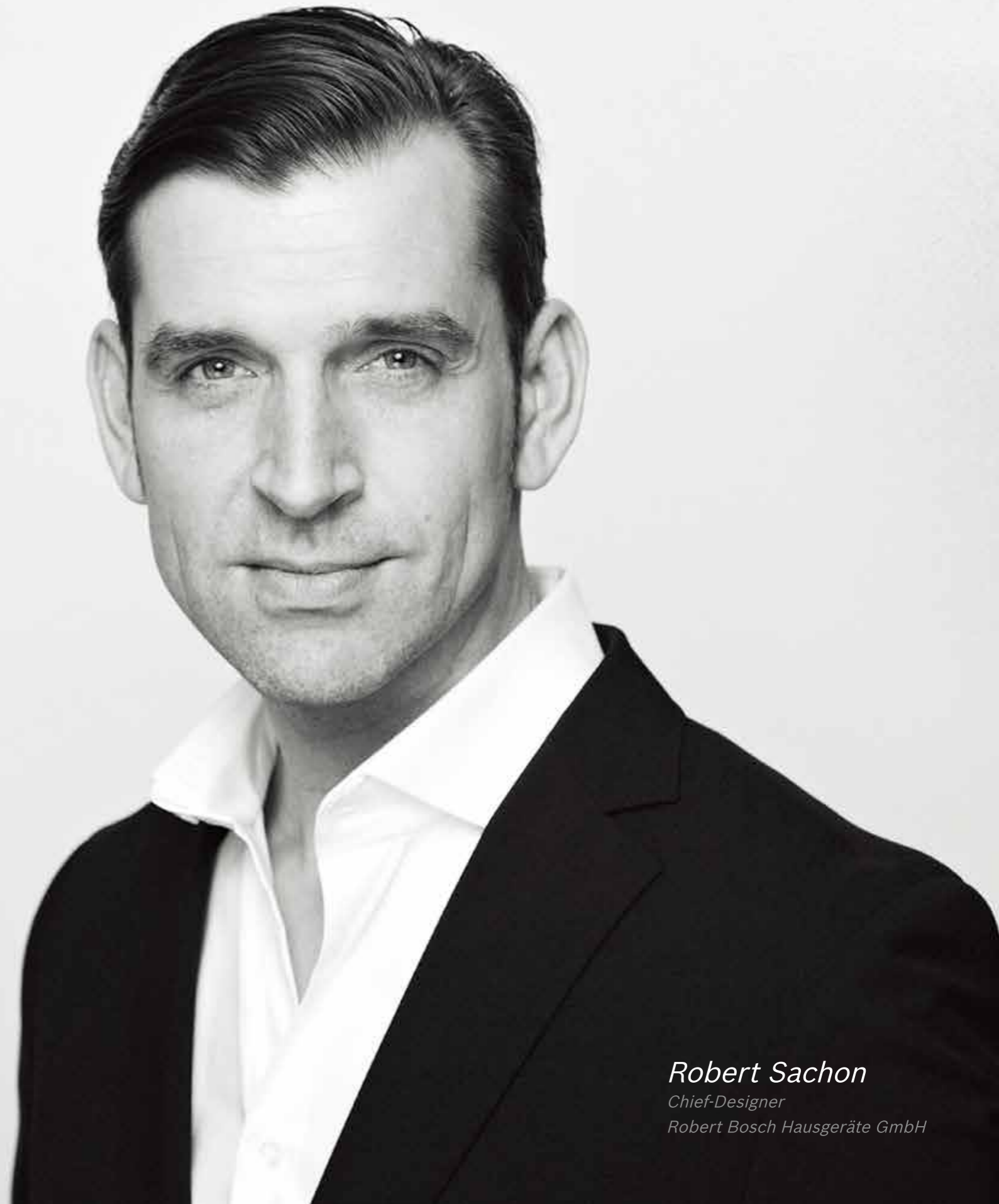
The accent | line Carbon Black series exhibits a design pared down to the bare minimum, with a formal consistency that extends down to the last nuance. All appliances enhance the kitchen space with their understated presence and a silhouette distinguished by an intriguing interplay of light and shade.

accent|line

Master Craftsmanship

Robert Sachon, Bosch Chief Designer, redefines Bosch accent line carbon black with a sense of visual purism throughout, including the Digital Control Ring, frame details, displays and handles made of high-quality, black stainless steel.

*“ A reduction to the essentials
leaves room for awareness of the
exceptional.”*



Robert Sachon

*Chief-Designer
Robert Bosch Hausgeräte GmbH*



Designed for all of the senses

No matter whether you prefer steaming, baking or roasting, the accent line of the new Series 8 oven range from Bosch has got all kitchen skills covered. With 60cm or 45cm ovens, built-in coffee machines and vacuum drawers – all in the same stunning seamless design. The elegant panel with the Digital Control Ring engraved in the glass, dark glass front and the carbon black colour handle with an embossed Bosch logo were made to perfectly integrate into the kitchen environment, making cooking a delight on all levels.



Discover more



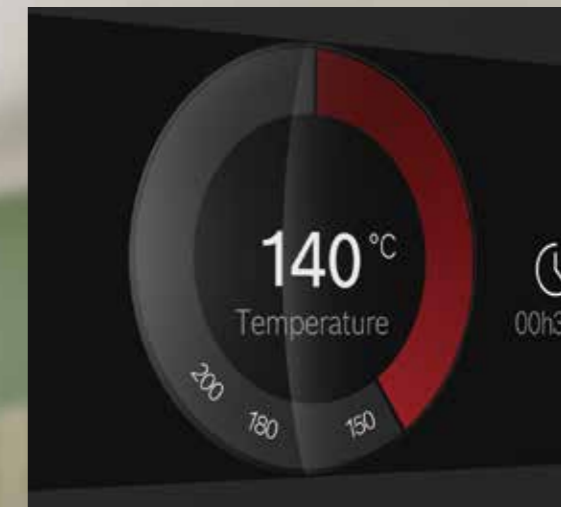
Pure art.

Discover a seamless design that integrates perfectly into the kitchen environment. With an elegant dark-glass front, a carbon black handle and the Digital Control Ring – a design element found in the entire Series 8 oven range. For full cooking ease, the range also comes with a brilliant TFT Touch Display with clear text and images that provide easy navigation for the various settings.



Thin Handle.

A thin carbon-black handle with an embossed Bosch logo highlights the elegant design.



Digital Control Ring.

With the Digital Control Ring, you can adjust your oven settings intuitively. Just move your finger across the ring engraved in the glass on the control panel and confirm the desired setting.

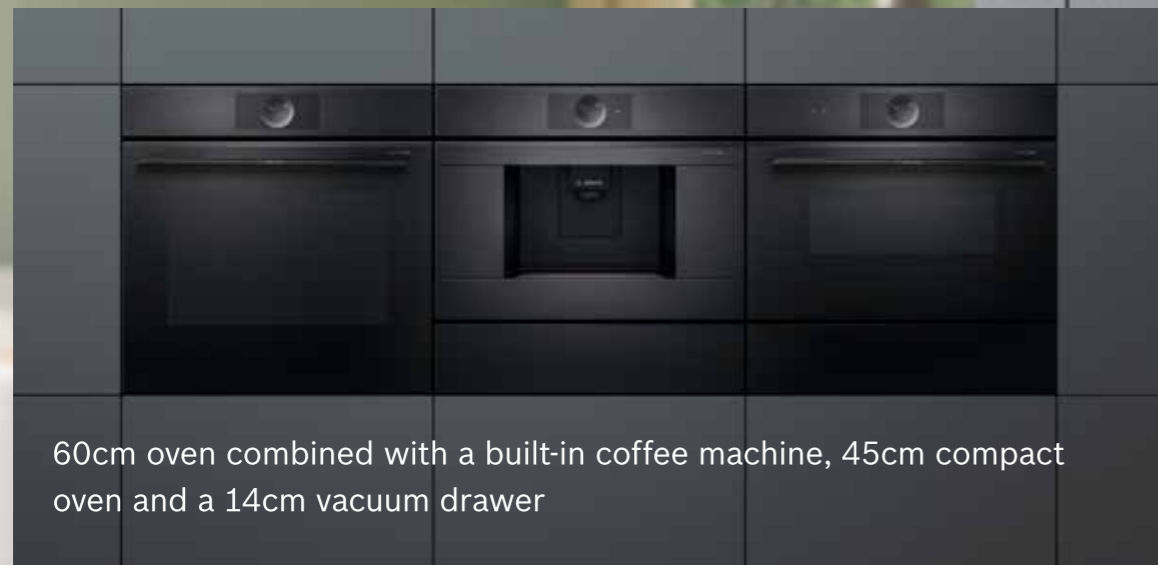


TFT Touch Display.

Additionally, you are supported by a high-resolution TFT Touch Display: clear, vivid images and info texts take you through each step as you navigate the program options. Thus, you enjoy a complete overview and full control over your appliance's functions. For those who love an extra good overview, we have designed the enlarged TFT Touch Display Plus and the 6.8-inch full-surface TFT Touch Display Pro.



60cm oven combined with a 45cm compact oven and a 14cm vacuum drawer



60cm oven combined with a built-in coffee machine, 45cm compact oven and a 14cm vacuum drawer



60cm oven combined with a 45cm compact oven



60cm oven combined with a 14cm vacuum drawer

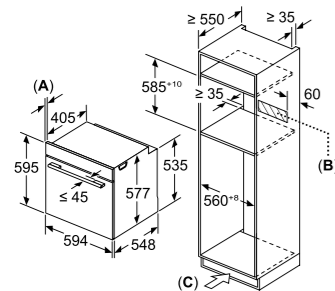


Seamless elegance

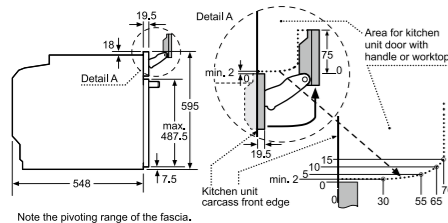
Experience true sophistication with the new Series 8 accent line. Discreet elements in carbon black highlight the elegant nuances in the elegant seamless design. A superior look coupled with an equally superior cooking experience, thanks to an intuitive TFT Touch Display with Digital Control Ring engraved in the glass, Artificial Intelligence and a wide range of settings and programs. The perfect design match for perfect cooking and in any product combination.



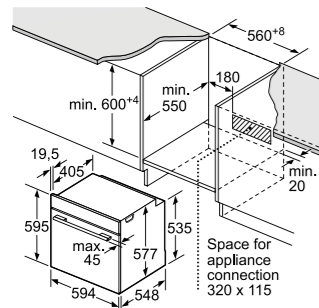
accent|line



A: 19,5 mm
B: Space for appliance connection 320 x 115 mm
C: Ventilation space in the base min. 200 cm²



Note the pivoting range of the fascia.



If the appliance will be installed underneath a hob, the following worktop thicknesses (including substructure if necessary) must be taken into account.

Hob type	min. worktop thickness	
	fitted	flush
Induction hob	37 mm	38 mm
Full surface Induction hob	47 mm	48 mm
Gas hob	30 mm	38 mm
Electric hob	27 mm	30 mm

HNG978QB1 \$56,900
 60cm built-in oven with added steam and microwave function



- Programmes**
- 16 cooking methods:
 - 4D HotAir
 - Air Fry
 - Hotair Gentle
 - Top and Bottom Heating
 - Top and Bottom Heating Gentle
 - Bottom Heat
 - Hotair Grill
 - Full-width Grill
 - Half-width Grill
 - Pizza Setting (Intensive Hotair)
 - Keep Warm
 - Plate Warming
 - Intensive Heat
 - Slow Cook
 - Defrost
 - Desiccation
 - Microwave output:
 - 5 power levels: 800W, 600W, 360W, 180W, 90W
 - 2 steam cooking methods:
 - Reheat
 - Dough Proving
 - 4 combination added steam and oven functions:
 - 4D HotAir
 - Top and Bottom Heating
 - Hotair Grill
 - Keep Warm
 - 5 combination microwave and oven functions:
 - 4D HotAir
 - Top and Bottom Heating
 - Hotair Grill
 - Full-width Grill
 - Half-width Grill

- Functions and Features**
- Individual Browning
 - PerfectBake Plus
 - PerfectRoast Plus
 - Pyrolytic cleaning function
 - Pyrolytic proof rails
 - Steam Boost Function
 - Assist function - automatic cooking programmes
 - Automatic temperature proposal with actual temperature display
 - Drying function
 - Rapid heat function
 - Descaling function

- Design**
- 6.8" TFT color and graphics display
 - Digital ring touch control
 - Camera in the oven
 - dualLED light at cavity
 - 5 shelf levels with 1 level full extension telescopic rail
 - Enamel oven interior

- Safety functions**
- Door contact switch
 - Residual heat indicator
 - Quadruple glass cool touch door (30°C door temperature)[^]
 - SoftOpen and SoftClose door
 - Integral cooling fan
 - Childproof lock
 - Water tank empty indicator

- Technical information**
- Capacity: 67L
 - Water tank capacity: 1L
 - Heating temperature: 30°C - 300°C
 - Total connected load: 3.6kW (20A single-phase connection)
 - Grill output: 2.8kW (max.)
 - Dimensions (H x W x D):
 - Appliance: 595 x 594 x 548 mm
 - Cavity: 357 x 480 x 392 mm

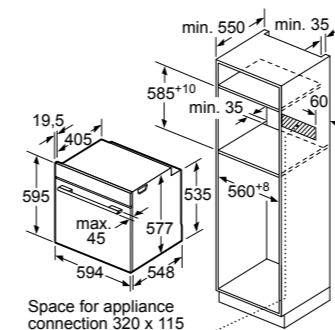
- Supplied Accessories**
- 1 enamel baking tray
 - 1 universal pan
 - 1 combination grid

Country of origin • Germany

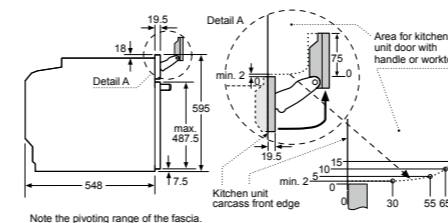
[^]Measured at the middle of the window at 180°C oven temperature, after 1 hour on top and bottom heat.



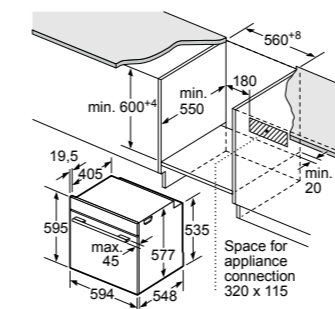
accent|line



Space for appliance connection 320 x 115



Note the pivoting range of the fascia.



If the appliance will be installed underneath a hob, the following worktop thicknesses (including substructure if necessary) must be taken into account.

Hob type	min. worktop thickness	
	fitted	flush
Induction hob	37 mm	38 mm
Full surface Induction hob	47 mm	48 mm
Gas hob	30 mm	38 mm
Electric hob	27 mm	30 mm

HSG958DB1 \$52,900
 60cm built-in combination steam oven



- Programmes**
- 15 cooking methods:
 - 4D HotAir
 - Air Fry
 - Hotair Gentle
 - Top and Bottom Heating
 - Top and Bottom Heating Gentle
 - Bottom Heat
 - Hotair Grill
 - Full-width Grill
 - Half-width Grill
 - Pizza Setting (Intensive Hotair)
 - Keep Warm
 - Plate Warming
 - Intensive Heat
 - Slow Cook
 - Desiccation
 - 5 steam cooking methods:
 - Sous-vide Cooking
 - Steam Function Plus (up to 120°C steam)
 - Defrost
 - Reheat
 - Dough Proving
 - 4 combination steam and oven functions:
 - 4D HotAir
 - Top and Bottom Heating
 - Hotair Grill
 - Keep Warm

- Functions and Features**
- PerfectBake Plus
 - PerfectRoast Plus
 - Eco Clean Direct panel at ceiling, back and side walls
 - Cleaning Assistance
 - Steam Boost Function
 - Assist function - automatic cooking programmes
 - Automatic temperature proposal with actual temperature display
 - Drying function
 - Rapid heat function
 - Descaling function

- Design**
- 6.8" TFT color and graphics display
 - Digital ring touch control
 - LED light at cavity ceiling
 - 5 shelf levels
 - 1 full extension clip rail
 - Enamel oven interior

- Safety functions**
- Door contact switch
 - Residual heat indicator
 - Triple glass cool touch door (40°C door temperature)[^]
 - SoftOpen and SoftClose door
 - Integral cooling fan
 - Childproof lock
 - Water tank empty indicator

- Technical information**
- Capacity: 71L
 - Water tank capacity: 1L
 - Heating temperature: 30°C - 250°C
 - Heating temperature: Steam 30°C - 120°C
 - Total connected load: 3.6kW (20A single-phase connection)
 - Grill output: 2.8kW (max.)
 - Dimensions (H x W x D):
 - Appliance: 595 x 594 x 548 mm
 - Cavity: 355 x 480 x 415 mm

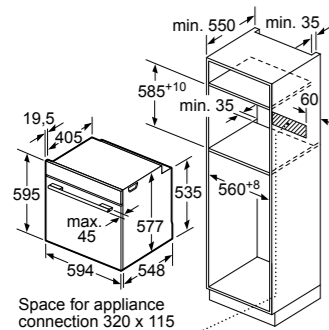
- Supplied Accessories**
- 1 small steam cooking container (solid)
 - 1 small steam cooking container (perforated)
 - 1 large steam cooking container (perforated)
 - 1 enamel baking tray
 - 1 universal pan
 - 1 grid
 - 1 sponge

Country of origin • Germany

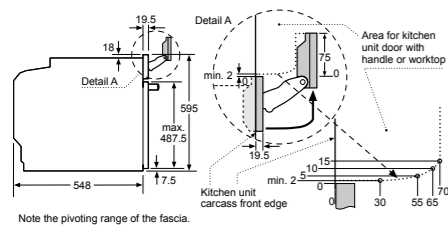
[^]Measured at the middle of the window at 180°C oven temperature, after 1 hour on top and bottom heat.



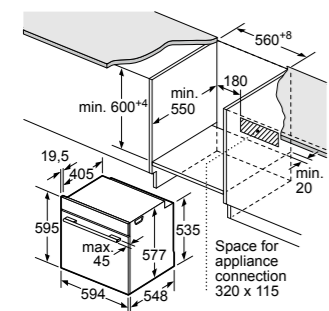
accent|line



Space for appliance connection 320 x 115



Note the pivoting range of the fascia.



Space for appliance connection 320 x 115

If the appliance will be installed underneath a hob, the following worktop thicknesses (including substructure if necessary) must be taken into account.

Hob type	min. worktop thickness	
	fitted	flush
Induction hob	37 mm	38 mm
Full surface induction hob	47 mm	48 mm
Gas hob	30 mm	38 mm
Electric hob	27 mm	30 mm

HRG978NB1
60cm built-in oven with added steam **\$38,900**



- Programmes**
- 16 cooking methods:
 - 4D HotAir
 - Air Fry
 - Hotair Gentle
 - Top and Bottom Heating
 - Top and Bottom Heating Gentle
 - Bottom Heat
 - Hotair Grill
 - Full-width Grill
 - Half-width Grill
 - Pizza Setting (Intensive Hotair)
 - Keep Warm
 - Plate Warming
 - Intensive Heat
 - Slow Cook
 - Defrost
 - Desiccation
 - 2 steam cooking methods:
 - Reheat
 - Dough Proving
 - 4 combination added steam and oven functions:
 - 4D HotAir
 - Top and Bottom Heating
 - Hotair Grill
 - Keep Warm

- Functions and Features**
- PerfectBake Plus
 - PerfectRoast Plus
 - Pyrolytic cleaning function
 - Pyrolytic proof rails
 - Steam Boost Function
 - Assist function - automatic cooking programmes
 - Automatic temperature proposal with actual temperature display
 - Drying function
 - Rapid heat function
 - Descaling function

- Design**
- 6.8" TFT color and graphics display
 - Digital ring touch control
 - LED light at cavity ceiling
 - 5 shelf levels
 - 1 full extension clip rail
 - Enamel oven interior

- Safety functions**
- Door contact switch
 - Residual heat indicator
 - Quadruple glass cool touch door (30°C door temperature)^
 - SoftOpen and SoftClose door
 - Integral cooling fan
 - Childproof lock
 - Water tank empty indicator

- Technical information**
- Capacity: 71L
 - Water tank capacity: 1L
 - Heating temperature: 30°C - 300°C
 - Total connected load: 3.6kW (20A single-phase connection)
 - Grill output: 2.8kW (max.)
 - Dimensions (H x W x D):
 - Appliance: 595 x 594 x 548 mm
 - Cavity: 357 x 480 x 415 mm

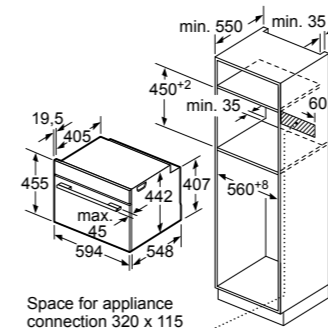
- Supplied Accessories**
- 1 enamel baking tray
 - 1 universal pan
 - 1 combination grid

Country of origin • Germany

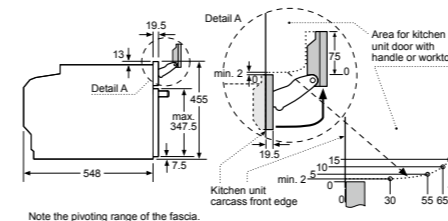
^Measured at the middle of the window at 180°C oven temperature, after 1 hour on top and bottom heat.



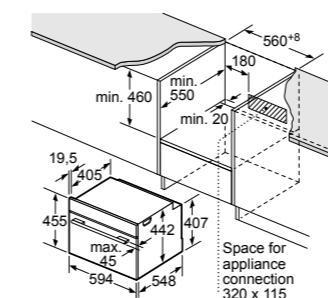
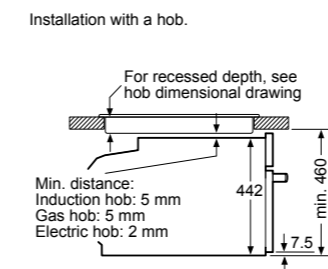
accent|line



Space for appliance connection 320 x 115



Note the pivoting range of the fascia.



Space for appliance connection 320 x 115

If the compact appliance will be installed underneath a hob, the following worktop thicknesses (including substructure if necessary) must be taken into account.

Hob type	min. worktop thickness	
	fitted	flush
Induction hob	42 mm	43 mm
Full surface induction hob	52 mm	53 mm
Gas hob	32 mm	43 mm
Electric hob	32 mm	35 mm

CSG936DB1
45cm built-in combination steam oven **\$47,900**



- Programmes**
- 13 cooking methods:
 - 4D HotAir
 - Air Fry
 - Hotair Gentle
 - Top and Bottom Heating
 - Top and Bottom Heating Gentle
 - Bottom Heat
 - Hotair Grill
 - Full-width Grill
 - Half-width Grill
 - Pizza Setting (Intensive Hotair)
 - Keep Warm
 - Plate Warming
 - Slow Cook
 - 5 steam cooking methods:
 - Sous-vide Cooking
 - Steam Function Plus (up to 120°C steam)
 - Defrost
 - Reheat
 - Dough Proving
 - 4 combination steam and oven functions:
 - 4D HotAir
 - Top and Bottom Heating
 - Hotair Grill
 - Keep Warm

- Functions and Features**
- PerfectBake Plus
 - PerfectRoast Plus
 - Eco Clean Direct panel at back wall
 - Cleaning Assistance
 - Steam Boost Function
 - Assist function - automatic cooking programmes
 - Automatic temperature proposal with actual temperature display
 - Drying function
 - Rapid heat function
 - Descaling function

- Design**
- 3.8" TFT color and graphics display
 - Digital ring touch control
 - LED light at cavity ceiling
 - 3 shelf levels
 - 1 full extension clip rail
 - Enamel oven interior

- Safety functions**
- Door contact switch
 - Residual heat indicator
 - Triple glass cool touch door (40°C door temperature)^
 - SoftOpen and SoftClose door
 - Integral cooling fan
 - Childproof lock
 - Water tank empty indicator

- Technical information**
- Capacity: 47L
 - Water tank capacity: 1L
 - Heating temperature: 30°C - 250°C
 - Heating temperature: Steam 30°C - 120°C
 - Total connected load: 3.3kW (20A single-phase connection)
 - Grill output: 2.8kW (max.)
 - Dimensions (H x W x D):
 - Appliance: 455 x 594 x 548 mm
 - Cavity: 235 x 480 x 415 mm

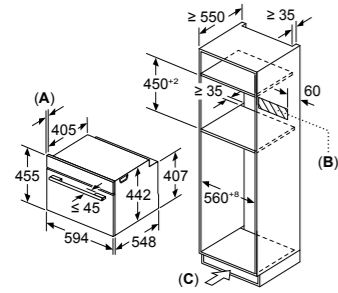
- Supplied Accessories**
- 1 small steam cooking container (solid)
 - 1 small steam cooking container (perforated)
 - 1 large steam cooking container (perforated)
 - 1 universal pan
 - 1 grid
 - 1 sponge

Country of origin • Germany

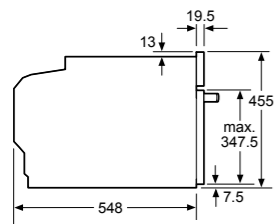
^Measured at the middle of the window at 180°C oven temperature, after 1 hour on top and bottom heat.



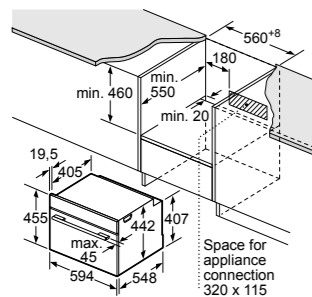
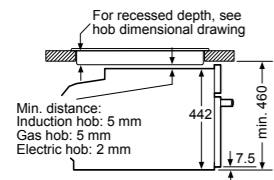
accent|line



A: 19.5 mm
 B: Space for appliance connection 320 x 115 mm
 C: Ventilation space in the base min. 200 cm²



Installation with a hob.



If the compact appliance will be installed underneath a hob, the following worktop thicknesses (including substructure if necessary) must be taken into account.

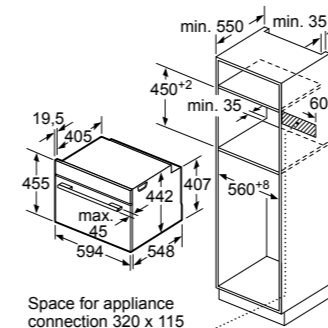
Hob type	min. worktop thickness	
	fitted	flush
Induction hob	42 mm	43 mm
Full surface Induction hob	52 mm	53 mm
Gas hob	32 mm	43 mm
Electric hob	32 mm	35 mm

CMG9361B1 45cm built-in combination oven with microwave		\$39,900
Programmes	<ul style="list-style-type: none"> 14 cooking methods: <ul style="list-style-type: none"> - 4D HotAir - Air Fry - Hotair Gentle - Top and Bottom Heating - Top and Bottom Heating Gentle - Bottom Heat - Hotair Grill - Full-width Grill - Half-width Grill - Pizza Setting (Intensive Hotair) - Keep Warm - Plate Warming - Slow Cook - Defrost 5 combination microwave and oven functions: <ul style="list-style-type: none"> - 4D HotAir - Top and Bottom Heating - Hotair Grill - Full-width Grill - Half-width Grill Microwave output: <ul style="list-style-type: none"> - 5 power levels: 900W, 600W, 360W, 180W, 90W 	
Functions and Features	<ul style="list-style-type: none"> Eco Clean Direct panel at back wall Cleaning Assistance Assist function - automatic cooking programmes Automatic temperature proposal with actual temperature display Drying function Rapid heat function 	
Design	<ul style="list-style-type: none"> 3.8" TFT color and graphics display Digital ring touch control LED light at cavity ceiling 3 shelf levels Enamel oven interior 	
Safety functions	<ul style="list-style-type: none"> Door contact switch Residual heat indicator Triple glass cool touch door (40°C door temperature)[^] SoftOpen and SoftClose door Integral cooling fan Childproof lock 	
Technical information	<ul style="list-style-type: none"> Capacity: 45L Heating temperature: 30°C - 300°C Total connected load: 3.6kW (20A single-phase connection) Grill output: 2.8kW (max.) Dimensions (H x W x D): <ul style="list-style-type: none"> - Appliance: 455 x 594 x 548 mm - Cavity: 237 x 480 x 392 mm 	
Supplied Accessories	<ul style="list-style-type: none"> 1 universal pan 1 combination grid 	
Country of origin	<ul style="list-style-type: none"> Germany 	

[^]Measured at the middle of the window at 180°C oven temperature, after 1 hour on top and bottom heat.

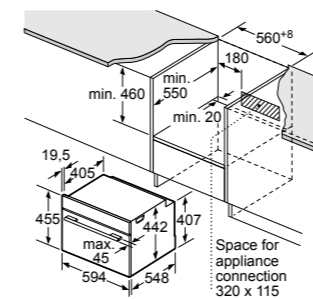
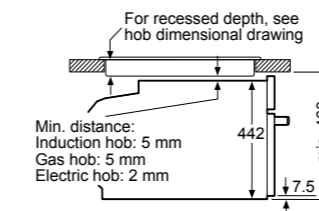


accent|line



Space for appliance connection 320 x 115

Installation with a hob.



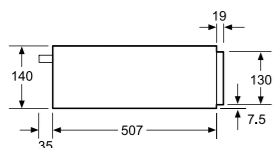
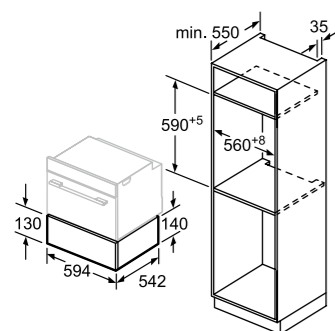
If the compact appliance will be installed underneath a hob, the following worktop thicknesses (including substructure if necessary) must be taken into account.

Hob type	min. worktop thickness	
	fitted	flush
Induction hob	42 mm	43 mm
Full surface Induction hob	52 mm	53 mm
Gas hob	32 mm	43 mm
Electric hob	32 mm	35 mm

CDG914XB1 45cm built-in steam oven		\$30,900
Programmes	<ul style="list-style-type: none"> 5 cooking methods: <ul style="list-style-type: none"> - Sous-vide Cooking - Steam - Defrost - Reheat - Dough Proving 	
Functions and Features	<ul style="list-style-type: none"> Assist function - automatic cooking programmes Descaling function Automatic temperature proposal with actual temperature display 	
Design	<ul style="list-style-type: none"> 2.5" TFT color and graphics display Digital ring touch control LED light at cavity ceiling 3 shelf levels Stainless steel interior 	
Safety functions	<ul style="list-style-type: none"> Door contact switch Double glass cool touch door (40°C door temperature) SoftOpen and SoftClose door Integral cooling fan Childproof lock Water tank empty indicator 	
Technical information	<ul style="list-style-type: none"> Capacity: 38L Water tank capacity: 1.3L Heating temperature: 30°C - 100°C Total connected load: 1.75kW (13A) Dimensions (H x W x D): <ul style="list-style-type: none"> - Appliance: 455 x 594 x 548 mm - Cavity: 265 x 325 x 439 mm 	
Supplied Accessories	<ul style="list-style-type: none"> 1 large steam cooking container (solid) 1 large steam cooking container (perforated) 1 sponge 	
Country of origin	<ul style="list-style-type: none"> France 	



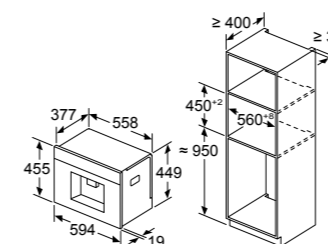
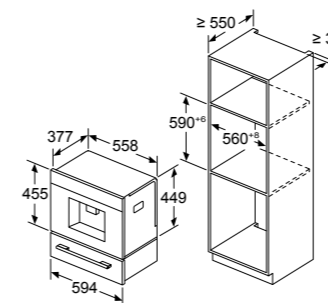
accent|line



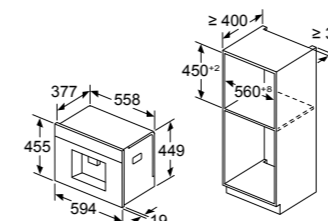
	BVE9101B1 14cm built-in vacuum drawer	\$36,900
Programmes	<ul style="list-style-type: none"> Vacuum settings: 3 levels Heat sealing duration settings: 3 levels 	
Function	<ul style="list-style-type: none"> Drying function 	
Design	<ul style="list-style-type: none"> Stainless steel chamber Glass lid Touch control Push and pull opening mechanism Bag clip 	
Safety functions	<ul style="list-style-type: none"> Door contact switch Locking stop function 	
Technical information	<ul style="list-style-type: none"> Capacity: 8L Max. size of vacuuming bag: 240 x 350mm Total connected load: 0.32kW (13A) Dimensions (H x W x D): <ul style="list-style-type: none"> - Appliance: 140 x 595 x 542 mm - Cavity: 95 x 350 x 285 mm 	
Supplied Accessories	<ul style="list-style-type: none"> 1 adaptor for vacuuming outside the chamber 1 vacuuming hose 50 large vacuuming bags 50 small vacuuming bags 3 plugs for vacuuming of bottles 1 adapter for bottle plugs 	
Country of origin	<ul style="list-style-type: none"> Slovakia 	



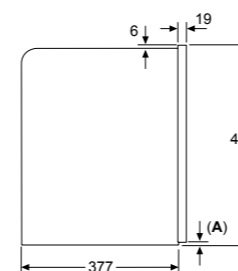
accent|line



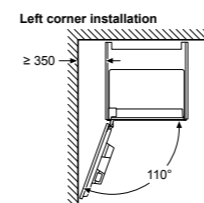
Bean and water containers are removed from the front
Recommended installation height 950-1450 mm



Bean and water containers are removed from the front
Recommended installation height 950-1450 mm



A: 7.5 mm

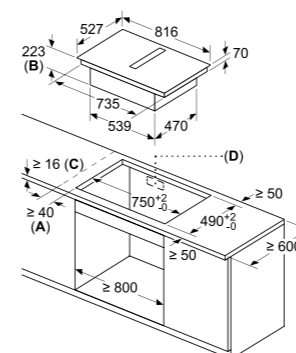


If using the 92° hinge limiter, the min. distance to the wall is only 100 mm

	CTL9181D0 Built-In Fully Automatic Coffee Machine	\$52,900
Flavour	<ul style="list-style-type: none"> up to 33 beverages warm milk, milk froth and hot water function AromaSelect – 3 different aroma profiles (mild-balanced-distinctive) adjustable milk ratio for classic milk-mix beverages intelligent strength adjustment – adaptive based on strength and size AromaDouble Shot – less bitterness 	
Performance	<ul style="list-style-type: none"> SilentCeram Drive – high-quality ceramic grinder water pump with 19 bar pressure 	
Convenience	<ul style="list-style-type: none"> TFT-Touch display Pro - 6.8" color display with touch and slide function Fresh water connection with aqua stop for refilling water tank Favorites: save up to 30 personalised beverages automatic milk amount detection coffee pot function height adjustable beverage outlet (up to 15cm high glass) OneTouch DoubleCup 2.4L removable water tank 	
Hygiene	<ul style="list-style-type: none"> AutoMilk Clean Calc'nClean removable brewing unit dishwasher-proof: beverage outlet, drip tray and drip pans automatic reminder for cleaning, descaling or water filter change 	
Home Connect	<ul style="list-style-type: none"> remote control CoffeePlaylist – select drinks in the app in your chosen order additional coffee know-how 	
Technical information	<ul style="list-style-type: none"> Dimensions (H x W x D): 455 x 594 x 385 mm Min. required niche size for installation (H x W x D): <ul style="list-style-type: none"> - 449 x 558 x 376 mm Total Connection load: 1.5kW (10A) Voltage: 220-240V integrated 0.7L milk container 500g bean container with aroma protection lid 1.7L tube on water connection illuminated coffee outlet, stage and interior adjustable grinding degree (multi-level) child lock 	
Included Accessories	<ul style="list-style-type: none"> 1 assembly screws 1 milk container 1 test strip 1 connection hose for milk frother 1 milk pipe 1 welcome-Box 1 Microfiber cloth Bosch 	
Optional Accessories	<ul style="list-style-type: none"> TCZ7003 : Accessories small appliances TCZ7033 : Water filter TCZ8001A : Cleaning tablets TCZ8002A : Descaling tablets TCZ8004A : Care set espresso 	
Country of origin	<ul style="list-style-type: none"> Slovenia 	

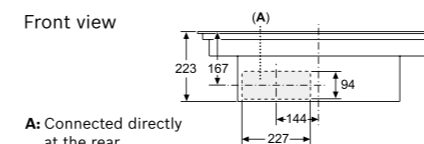


Discover more

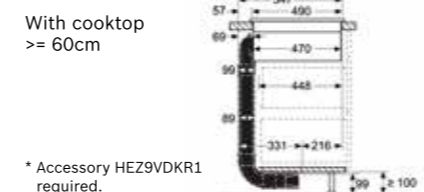


A: Minimum distance from the hob cut-out to the wall
B: Recessing depth
C: The worktop into which the hob is installed must withstand loads of approx. 60kg; suitable substructures must be used if required.
D: Cut-out in back panel required for pipework. Exact size and position can be taken from specific drawing.

Ducted recirculation planning:

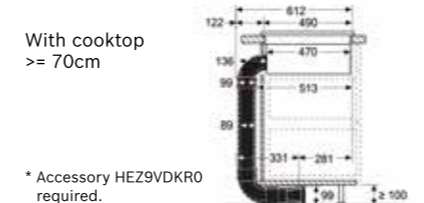


A: Connected directly at the rear



With cooktop >= 60cm

* Accessory HEZ9VDKR1 required.



With cooktop >= 70cm

* Accessory HEZ9VDKR0 required.

PXX875D67E 80cm Induction Hob with Integrated Ventilation Module		\$48,800																												
Performance	<ul style="list-style-type: none"> 4 induction cooking zones 17 stages of power setting 	<ul style="list-style-type: none"> 17+2 stages of ventilation power 																												
Function	<ul style="list-style-type: none"> combines best induction with best ventilation technology for perfect results 																													
Features	<p>Induction:</p> <ul style="list-style-type: none"> PerfectCook: Precise temperature control prevents boiling over PerfectFry: Ensure perfect browning of roasted foods DirectSelect Premium: Direct and simple selection Automatic setting transfer MoveMode with 3 power levels PowerBoost: Up to 50% more power for faster heating PanBoost for added quickness 3-in-1 timer: count-up, count-down, kitchen timer <p>Ventilation:</p> <ul style="list-style-type: none"> PerfectAir: fully automatic ventilation thanks to sensor technology. EcoSilence Drive™: powerful, efficient and quiet BLDC motor technology 																													
Design	<ul style="list-style-type: none"> SCHOTT CERAN® ceramic glass ComfortProfil: Bevelled front and rear with side profiles Can be combined with all hobs in comfort design 																													
Safety functions	<ul style="list-style-type: none"> Digital 2-stage residual heat indicator for each zone Main switch Safety switch off 	<ul style="list-style-type: none"> Small cookware detection Anti-overflow protection Wipe protection Childproof lock 																												
Technical information	<ul style="list-style-type: none"> Cooking zone output <table border="1"> <thead> <tr> <th>Zone</th> <th>Output (kW)</th> <th>Output without booster (kW)</th> <th>Dimensions (mm)</th> </tr> </thead> <tbody> <tr> <td>Left FlexZone</td> <td>3.7</td> <td>3.3</td> <td>400 x 240</td> </tr> <tr> <td>Right FlexZone</td> <td>3.7</td> <td>3.3</td> <td>400 x 240</td> </tr> <tr> <td>Front left</td> <td>3.7</td> <td>2.2</td> <td>200 x 240</td> </tr> <tr> <td>Front right</td> <td>3.7</td> <td>2.2</td> <td>200 x 240</td> </tr> <tr> <td>Rear left</td> <td>3.7</td> <td>2.2</td> <td>200 x 240</td> </tr> <tr> <td>Rear right</td> <td>3.7</td> <td>2.2</td> <td>200 x 240</td> </tr> </tbody> </table> <ul style="list-style-type: none"> Extraction / Recirculation capacity: 622/615 m³/h (EN61591) Total connected load: 7.4kW (220V/40A single phase or 380V/20A two-phase connection) Dimensions: <ul style="list-style-type: none"> Appliance (H x W x D): 223* x 816 x 527 mm Cut out (W x D): 750 x 490 mm *excl. glass thickness, please reserve extra 100mm beneath appliance for overflow container 		Zone	Output (kW)	Output without booster (kW)	Dimensions (mm)	Left FlexZone	3.7	3.3	400 x 240	Right FlexZone	3.7	3.3	400 x 240	Front left	3.7	2.2	200 x 240	Front right	3.7	2.2	200 x 240	Rear left	3.7	2.2	200 x 240	Rear right	3.7	2.2	200 x 240
Zone	Output (kW)	Output without booster (kW)	Dimensions (mm)																											
Left FlexZone	3.7	3.3	400 x 240																											
Right FlexZone	3.7	3.3	400 x 240																											
Front left	3.7	2.2	200 x 240																											
Front right	3.7	2.2	200 x 240																											
Rear left	3.7	2.2	200 x 240																											
Rear right	3.7	2.2	200 x 240																											
Supplied accessory	<ul style="list-style-type: none"> Unducted recirculation kit (4 charcoal filters with 1 slider) 																													
Optional accessories	<ul style="list-style-type: none"> Recirculating kit (HEZ9VDKR1 Price: \$1,400) Recirculation kit (HEZ9VDKR0 Price: \$1,400) PerfectCook wireless sensor (set) (HEZ39050 Price: \$1,800) Griddle Plate (HEZ390522 Price: \$3,800) Teppan Yaki (HEZ390512 Price: \$3,200) Induction roaster (HEZ390011 Price: \$3,000) Steaming rack for Induction roaster (HEZ390012 Price: \$1,030) System pan: 21cm (HEZ390230 Price: \$1,550) 																													
Country of origin	<ul style="list-style-type: none"> Spain 																													

* Indent Order

Discover more:



All our built-in appliances at a glance.

The accent line range of built-in appliances.

60cm Height	Oven with added steam and microwave function	HNG978QB1	P.12
	Combination steam oven	HSG958DB1	P.13
45cm Height	Oven with added steam	HRG978NB1	P.14
	Combination steam oven	CSG936DB1	P.15
	Combination oven with microwave	CMG9361B1	P.16
14cm Height	Steam oven	CDG914XB1	P.17
	Vacuum drawer	BVE9101B1	P.18
45cm Height	Built-in coffee machine	CTL9181D0	P.19
80cm Width	Induction Hob with Integrated Ventilation Module	PXX875D67E	P.21



Bosch Galleria

1/F, HDH Centre, 8 Pennington Street, Causeway Bay, Hong Kong
Telephone: 2191 3388

Customer Contact Center

Unit 07, 23/F, CDW Building, 388 Castle Peak Road
Tsuen Wan, New Territories, Hong Kong
Customer Contact Hotline: 2626 9655 (Hong Kong)/ 0800 863 (Macau local call only)

www.bosch-home.com.hk

www.facebook.com/boschhomeHK

www.youtube.com/boschhomeHK

www.instagram.com/boschhomehongkong/



Official Site



Our Facebook page:
[@boschhomehk](https://www.facebook.com/boschhomeHK)



Our YouTube channel:
Bosch Home HK



Our Instagram:
[boschhomehongkong](https://www.instagram.com/boschhomehongkong)

The product images used in the catalogue are for reference only; the models are subject to availability.

Models numbers and specifications are for reference only and are subject to change without prior notice. Bosch is continuously seeking to improve specification, design and production of its appliances and alterations may take place regularly.

All descriptions and installation diagrams are intended as a guide only.

For additional technical information, full dimensional and installation details, please refer to the instruction manual supplied with the appliance. Electrical and gas connections should only be made in accordance with the regulations of the national authorities.

Rights of technical modification reserved, delivery subject to availability, colors of actual products may vary from illustrations.

Your dealer will be able to provide you with reliable information.

©2023 BSH Home Appliances Limited. All rights reserved. All contents and information contained in this Catalogue are proprietary to BSH Home Appliances Limited and are subjected to copyright protection. Reproduction, republication, redistribution or unauthorized use of any content or information contained in this Catalogue is expressly prohibited without the prior written consent of BSH Home Appliances Limited.

Printed in Hong Kong [06.2023]

