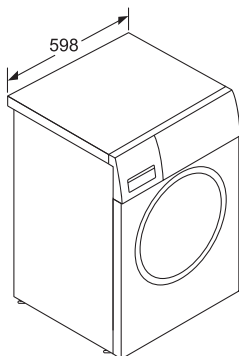
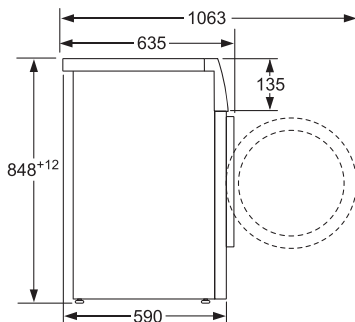




# BOSCH

Invented for life



**WNG254YCHK**  
Front loading washer dryer

**\$10,800**



### Design & Features

- Series 6
- Air Wash+: non-washing and all natural treatment, achieve 99.99% virus, 99.9% bacteria\* and odor removal without any disinfectant (Supported by Dry Hygiene program)
- AllergyPlus program: 100% dust mites removal<sup>§</sup>
- Drum Care Auto Clean program: clean and dry the drum with 99.99% bacteria and mildew removal<sup>†</sup>
- Hygiene Care option: ultimate hygienic clean natural laundry solution, 99.99% bacteria\* removal at low temperature wash
- Electronic control dials and Large LED-Display for programs status indication, remaining time, temperature, spin speed, additional options and 24 hours end time delay
- LED Drum interior light

### Programmes & additional options

- Programs: Cottons, Cottons Eco, Mix, AllergyPlus, My Time, Spin/Drain, Delicates/Silk, Auto Dry, Dry Hygiene, Shirts, Wash & Dry 60', Wool, Rinse, Drum Care
- Options: Wash/Dry/Wash + Dry selection, Temperature selection, Spin speed selection, Anti-Stain (Blood/Butter/Sand/Sweat), Rinse, Hygiene Care, Finish In time selection/My Time, SpeedPerfect, Start/Reload

### Technology

- AutoDry: Dry the laundry gently until the desired drying level is reached
- EcoSilence Drive™: Extremely energy-efficient and silent in operation with long lifetime guaranteed for 10 years
- AntiVibration™ design: More stability, less vibration
- Super suspension system: 3 suspension axels
- VarioDrum: Comfort, spacious, gentle on fabrics, tough on stains
- ActiveWater™ Plus and Flow sensor: Optimization of water Consumption
- Jetsystem™: SelfCleaning detergent drawer
- 3D AquaSpa wash system: Fast water penetration
- Buzzer to indicate the end of cycle

### Safety functions

- Foam detection and unbalanced load detection
- Childproof lock

### Technical information

- Washing Capacity: 10kg
- Drying Capacity: 6kg
- Spin speed selection from 400-1400rpm
- HK energy label 1
- HK water label 1
- Total connected load: 2kW (10A)
- Dimensions (H x W x D): 848 x 598 x 590(635\*) mm

### Country of origin

- China

<sup>†</sup> 99.99% reduction on Virus (Poliomyelitis Sabin 1 strain) and 99.9% reduction on Escherichia coli, Staphylococcus aureus in Dry Hygiene program- Test report EWXq -20-1827 issued by China Household Electric Appliance Research Institute (CHEARI)

<sup>§</sup> 100% removal of dust mites and >90% dog danger allergen removal in AllergyPlus program- Test report EWXq -21 -1947 issued by China Household Electric Appliance Research Institute (CHEARI)

<sup>\*</sup> 99.99% removal of Escherichia coli, Staphylococcus aureus in Mix program (40°C) with Hygiene Care option - Test report EWXq -20-1525 issued by China Household Electric Appliance Research Institute (CHEARI)

<sup>†</sup> 99.99% removal of Escherichia coli, Staphylococcus aureus and Aspergillus niger in Drum Care program - Test report EWXq -21-1980 issued by China Household Electric Appliance Research Institute (CHEARI)

\* Included door frame thickness

Please reserve 5-10mm as buffer due to possible uneven flooring  
Please consult product hotline for installation requirement

Measurements in mm