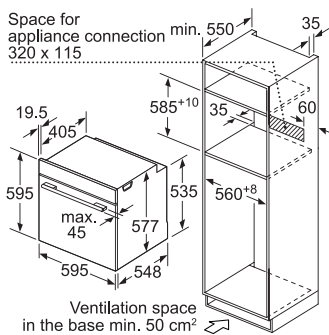


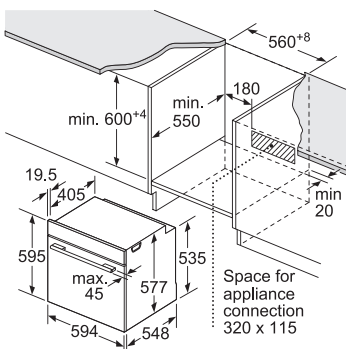
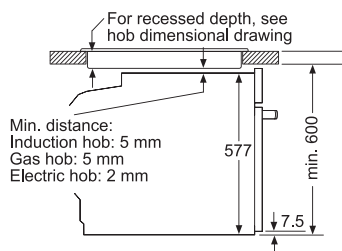


BOSCH

Invented for life

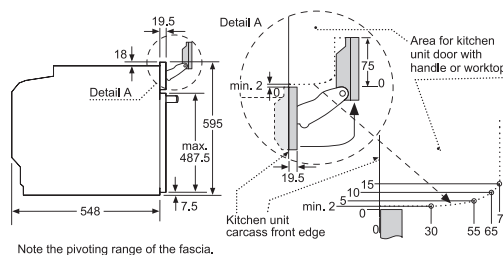


Installation with a hob.



	HNG6764S6 60cm built-in oven with added steam and microwave function	\$48,800
Performance	<ul style="list-style-type: none"> 14 cooking methods: <ul style="list-style-type: none"> - 4D HotAir - HotAir Eco - Hot air grilling - Top and bottom heating - Top and bottom heating eco - Bottom heating - Grill – small area - Grill – large area - Intensive heat - Pizza setting - Slow cooking - Desiccate - Plate warming - Keep warm 2 steam methods: <ul style="list-style-type: none"> - Reheat - Dough proving Microwave output: <ul style="list-style-type: none"> - 5 power levels: 800W, 600W, 360W, 180W, 90W 	
Functions	<ul style="list-style-type: none"> Assist function - automatic cooking programmes Pyrolytic cleaning function Descaling programme Drying function PerfectRoast meatprobe PerfectBake sensor 	
Features	<ul style="list-style-type: none"> Rapid heat function Electronic touch with ring control High definition color TFT graphic display Digital temperature display SoftOpen and SoftClose door Quadruple glass door (30°C door temperature)* LED illumination Sabbath setting 	
Design	<ul style="list-style-type: none"> 5 shelf levels with 3 levels full extension telescopic rail Door hinge: Bottom 	
Safety functions	<ul style="list-style-type: none"> Childproof lock Integral cooling fan Safety switch off function Residual heat indicator Door contact switch Water tank empty indicator 	
Technical information	<ul style="list-style-type: none"> Total connected load: 3.6kW (20A single-phase connection) Capacity: 67L Water tank capacity: 1L Heating temperature: 30°C – 300°C Dimensions (H x W x D): <ul style="list-style-type: none"> - Appliance: 595 x 594 x 548 mm - Cavity: 357 x 480 x 392 mm 	
Supplied accessories	<ul style="list-style-type: none"> 2 combination grids 1 universal pan 1 enamel baking tray 	
Country of origin	<ul style="list-style-type: none"> Germany 	

* Measured at the middle of the window at 180°C oven temperature, after 1 hour on top and bottom heat.



If the appliance will be installed underneath a hob, the following worktop thicknesses (including substructure if necessary) must be taken into account.

Hob type	min. worktop thickness	
	fitted	flush
Induction hob	37 mm	38 mm
Full surface Induction hob	47 mm	48 mm
Gas hob	30 mm	38 mm
Electric hob	27 mm	30 mm

Measurements in mm