



**BOSCH**

Invented for life

# Perfect results at your fingertips.

The new generation of built-in appliances from Bosch.  
A complete solution for your everyday essentials.

**Cool solutions • Dishwasher • Laundry**

2022



# Contents.

Cool solutions	12 - 21
Dishwasher	22 - 33
Laundry	34 - 36
Accessories	37

# Invented for life.

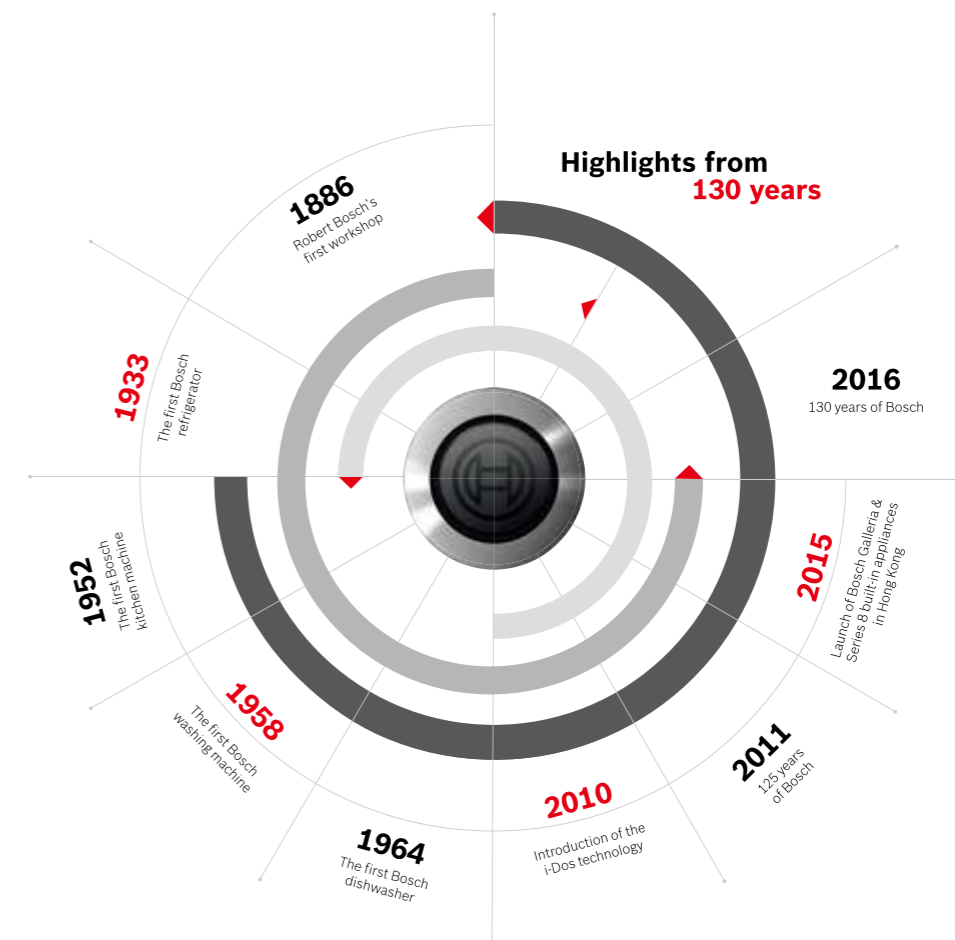
The beauty of German craftsmanship and design, perfectly showcased by Bosch over 130 years.

Founded in 1886, Bosch has been synonymous with outstanding technology and craftsmanship. Through continuous innovation, precise electrical engineering and electronic technology, Bosch has become the world's pioneer in industrial technology. Simple yet elegant, Bosch home appliances make every kitchen an art space with their concise design and aesthetics of life.

Today, Bosch is one of the leading home appliances brands in Europe. The brand offers a full spectrum of small domestic, free-standing and built-in appliances in Hong Kong. Renowned for its one-stop cooking solution, Bosch products include the highly-rated kitchen machines; professional, high quality ovens, steam ovens, cooktops, cookerhoods, refrigerators and dishwashers. Other home appliances include vacuum cleaners, washing machines, irons and coffee machines, offering a complete solution for living with innovative designs to fulfil the unique need of every consumer.

"I would rather lose money than trust", the philosophy of company founder, Robert Bosch, continues to guide Bosch in developing high-quality products and assuming social responsibility wherever it operates. Treating people and nature with respect has been a corporate principle from the beginning and is reflected in the company's energy-efficient, resource-conserving and sustainable products and processes.

True to the brand's philosophy brand "Invented for life", Bosch will continue to offer consumers with quality and perfect technology for a better life.



Colors of actual products may vary from illustration and pictures.  
Appliances shown in this catalogue may not be available in Hong Kong.



## Designing perfection.

“We take rational values and make them tangible at an emotional level”

Robert Sachon, Global Design Director of Bosch Brand

### “Bosch” Stands for perfection

Bosch Home Appliance has stood for technical perfection and superior quality. The design team has always presented rational values, making them tangible through comprehensive and intuitive design. Bosch’s appliances showcase high-quality materials and deliver them right down to the smallest detail. We treat design as a key part of brand management. Our design team has always played a critical role in the development of product concepts from inception to ensure perfection is concisely achieved and quality is perceived with all senses.

### Bosch is “Red Dot: Design Team of the Year 2018”

Our products have received applause world-wide with more than 500 awards in the past 10 years, thanks to their groundbreaking technology, outstanding quality and intelligent design. Today, Bosch continues its outstanding record of winning numerous prestigious international awards and accolades including the Red Dot Design Award and iF Product Design Award. For the 60th anniversary of the Red Dot Award, one of the largest and most prestigious award in the world, Bosch was given the honorary title of “Red Dot: Design Team of the Year 2018”. These honors demonstrate premium quality, advanced technology, ease of operation and outstanding German tradition, which Bosch has been able to rely on.



reddot award 2018  
winner



## Quality from Bosch, around the world.

Bosch appliances offer premium home solutions for property developers worldwide.



### North America: In the heart of Las Vegas and on the cutting edge.

The MGM CityCenter is a 308,000 m<sup>2</sup> large building complex which was commissioned by MGM International Resort and realized by eight internationally renowned architects. Being one of the most expensive privately funded construction projects in the U.S., it offers plenty of leisure space for the 2,700 exclusive apartments – many of them are fully equipped with Bosch appliances.



### Arabia: New standards in Dubai and around the world.

The unique combination of traditional Arabic elements with modern architecture and unprecedented technology, Tom Wright created a Dubai landmark. At 321 meters high, the hotel is one of the tallest, most luxurious and expensive hotels in the world. Therefore it's no wonder that the demands for quality kitchen appliances in each of the 16 suites were just as high.



### Australia: Bright prospects.

At a height of 323 meters, the Q1 Tower is one of the tallest residential buildings in the world, dominating the skyline of Australia's famous Gold Coast. Spread across 80 floors, the luxury apartments offer breathtaking views of the coast on the outside – and in the interior, the best views of German engineering.



### Europe: Aiming high.

The renowned Spanish architect, Santiago Calatrava designed the Turning Torso. At 190 meters, it's the tallest skyscraper in Scandinavia and is the urban highlight in Malmö. The building, with its exciting design evokes the impression that it revolves around its own axis. Trusted by Samark Arkitektur & Design AB who create extraordinary interiors, the 150 apartments were fitted with modern, Scandinavian design – and Bosch home appliances. Therefore, the building is an architectural masterpiece on both the inside and outside.



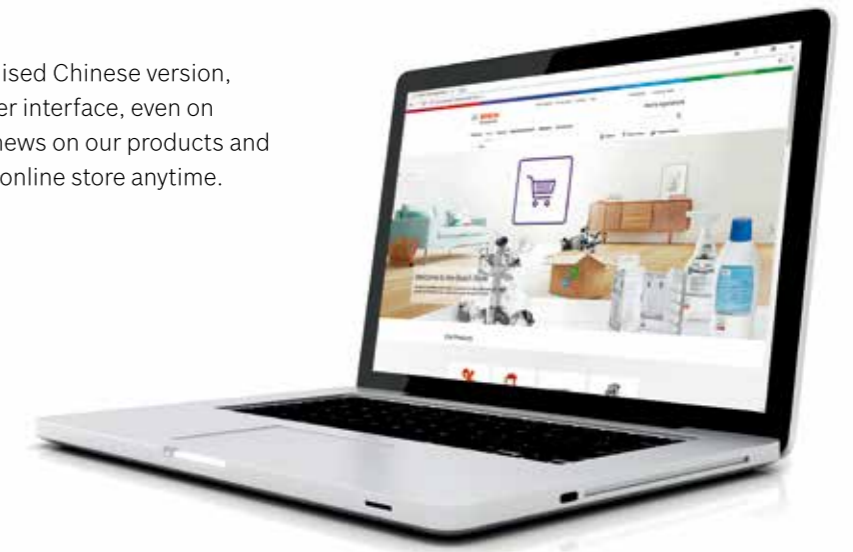
# Online experience redefined.

Our website now not only includes a localised Chinese version, but also features a surprisingly simple user interface, even on smartphones and tablets. Get the latest news on our products and shop your Bosch home appliances at our online store anytime.

[www.bosch-home.com.hk](http://www.bosch-home.com.hk)



[www.bosch-home.com.hk/en/shop](http://www.bosch-home.com.hk/en/shop)



### A thumbs-up to Bosch.

Our Facebook page and YouTube channel offer you the latest updates from do-it-yourself recipes, practical home tips, new product announcements to handy appliance guides. Follow us and learn more!

[www.facebook.com/boschhomeHK](http://www.facebook.com/boschhomeHK)



[www.youtube.com/BoschHomeHK](http://www.youtube.com/BoschHomeHK)



[www.instagram.com/boschhomehongkong/](http://www.instagram.com/boschhomehongkong/)



### Bosch Cooking Group

We are launched the Bosch Cooking Group for cooking love sharing recipes, cooking tips and cooking information.

<https://bit.ly/2VfGHqj>





# Bosch cooking appliances. Designed to make your everyday life easier.

The appliances from Bosch perfectly compliment each other to make every moment in your kitchen a perfect, tasteful and relaxed moment.



## Hoods

A range of designs to suit your dream kitchen. From focal point canopy to hidden integrated hoods our whisper-quiet hoods will be a pleasant surprise and will allow you to enjoy cooking even more.

## Food Preparation

Our multi-functional, award winning kitchen machines, food mixers and processors are packed with innovative, labour-saving technology so you can chop, blend, shred, mix and whisk your way more quickly through your food preparation task.

## Refrigeration

Stylish matching your kitchen cabinetry and packed full of sensor technology keeping your food fresher for longer.

## Hobs

Choose a hob to match your cooking habits: From our revolutionary gas hobs to innovative induction.

## Dishwashers

A dishwasher is a must in any modern kitchen to save you the hassle of cleaning up. Choose from built-under, semi and fully integrated models to perfectly integrate into your kitchen.

## Ovens

High-quality stainless steel combined with sleek black glass offers a timeless design, while sophisticated features deliver the best results meaning less work and more cooking pleasure.



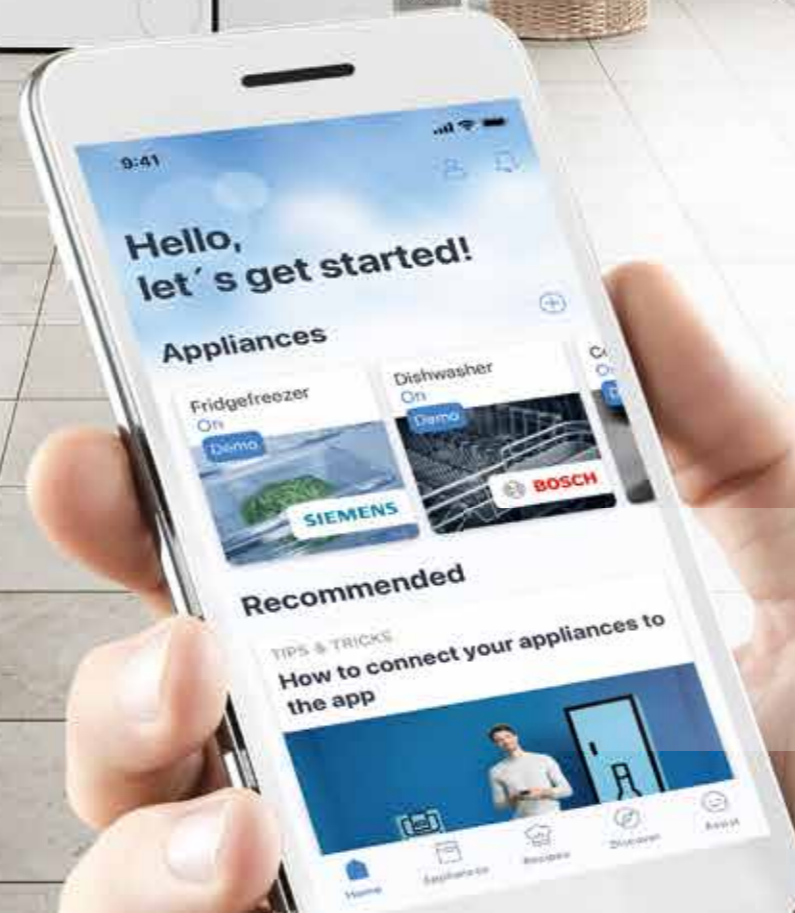
# Welcome to a connected life.

At Bosch, we believe that a smart home is one that is built around you and your needs. That's why we've designed a new range of appliances that work seamlessly together to bring convenience to your home - made possible with Home Connect. With just an app on your smartphone or tablet, you can now remotely control and monitor your appliances at home, leaving you with more time to spend on more important things: like spending quality time with the one you love.

It's time to clean your filter

Your Cappuccino is ready. Enjoy!

Program is finished



Download and install  Home Connect



Apple, the Apple logo are trademarks of Apple Inc., registered in the U.S. and other countries. App Store is a service mark of Apple Inc.

Google Play is a service provided by Google LLC





Cool Solutions.



Discover more



## More space for keeping food fresh for longer.

Flexible to fit your kitchen, Bosch built-in refrigeration options and smart technology keep your food as fresh as possible for as long as possible.

### Perfect pairs.

Thanks to our clever design, single door fridge and freezer can be combined to give you just the right capacity. You can now personalize your kitchen perfectly.



### More space.

Freezer is extra spacious meaning you will find it easy to fit everything in. The extra large **BigBox** is big enough for large bulky items.



### Save more, waste less.

Internal sensors constantly monitor the temperature in the fridge, thanks to the **FreshSense** technology, the cooling circuit and compressor continually adjust to ensure a stable interior temperature and provide prolonged freshness.



### Keep food fresher for longer.

The **VitaFresh** vegetable drawer features a humidity controller which allows you to lock in moisture. This preserves vitamins and flavour in fruit and vegetables so they last up to twice as long.



### Save time with flexible storage.

You save time more easily by making fewer shopping trips, as food lasts longer and get what you need faster too, thanks to **EasyLift** (height adjustable) shelves and fully extendable drawers.



### Quietly does it.

It's nice to know that we've integrated **SoftClosing** doors to avoid improper door closing.



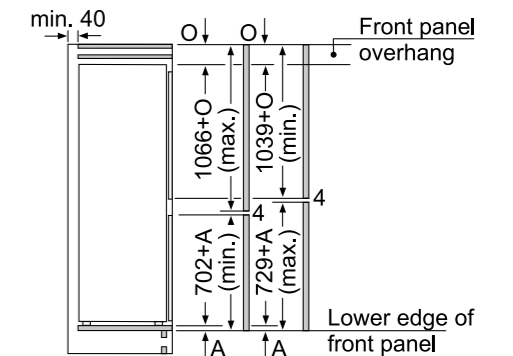
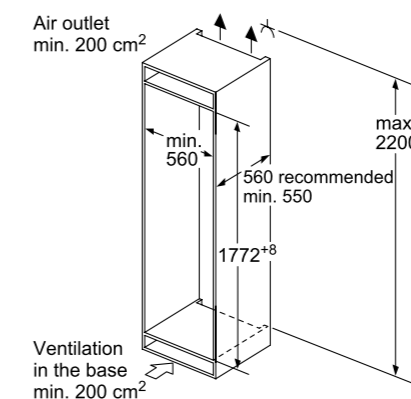
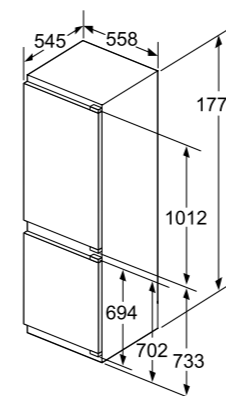
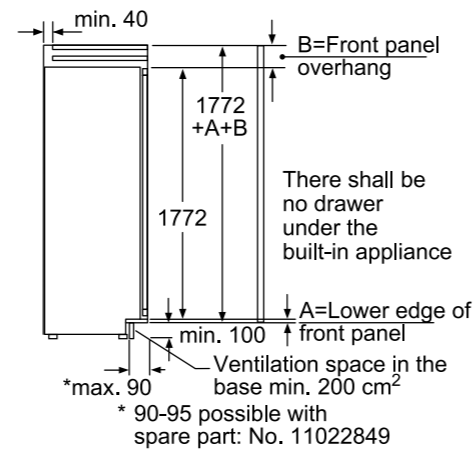
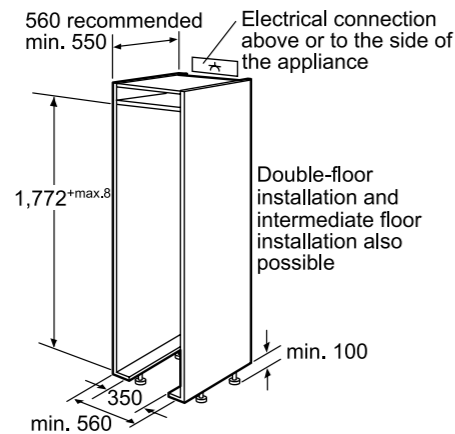
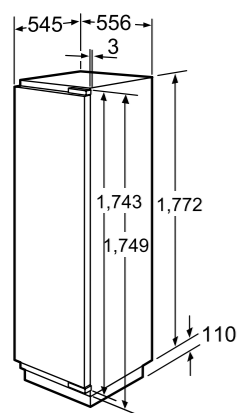




GIN38P61HK Built-in 1-door freezer		\$30,800
<b>Performance</b>	<ul style="list-style-type: none"> <li>Annual energy consumption: 239kWh per year</li> <li>Total net freezer capacity: 210 litres</li> <li>Freezing capacity in 24 hours: 18kg</li> <li>Maximum freezer storage in power failure: 11 hours</li> <li>Noise level: 40dB</li> <li>Total connected load: 0.12kW (10A)</li> <li>VarioInverter</li> </ul>	
<b>Key features</b>	<ul style="list-style-type: none"> <li>Frost free freezer</li> <li>LED interior light</li> </ul>	
<b>Additional features</b>	<ul style="list-style-type: none"> <li>Freezer compartment</li> <li>- 5 pull out drawers including 1 BigBox</li> <li>- 2 freezer compartments with flap</li> <li>- 1 ice cube tray</li> <li>- 2 ice packs</li> <li>- Freezing calendar</li> </ul>	
<b>Functions</b>	<ul style="list-style-type: none"> <li>Super Freezing function with automatic deactivation</li> <li>Door open warning signal: acoustic</li> <li>Malfunction warning signal: visual, acoustic</li> </ul>	
<b>Design</b>	<ul style="list-style-type: none"> <li>LED display and touch control</li> <li>Soft closing door</li> <li>Door left hinged, reversible</li> <li>Dimensions (H x W x D): 1,772* x 556 x 545 mm</li> <li>* Excluded the height of the base compressor: 110mm</li> </ul>	
<b>Country of origin</b>	Germany	



KIN86AF31K Built-in 2-door refrigerator, bottom freezer		\$24,800
<b>Performance</b>	<ul style="list-style-type: none"> <li>Annual energy consumption: 223kWh per year</li> <li>Total net capacity: 254 litres</li> <li>Net fridge capacity: 187 litres</li> <li>Net freezer capacity: 67 litres</li> <li>Freezing capacity in 24 hours: 8kg</li> <li>Maximum freezer storage in power failure: 13 hours</li> <li>Noise level: 39dB</li> <li>Total connected load: 0.09kW (10A)</li> <li>VarioInverter</li> </ul>	
<b>Key features</b>	<ul style="list-style-type: none"> <li>Frost free freezer</li> <li>Auto defrost function in fridge</li> <li>2 temperature zones, each zone separately regulated and controlled</li> </ul>	
<b>Additional features</b>	<ul style="list-style-type: none"> <li>Fridge compartment</li> <li>- 5 safety glass shelves, including 1 VarioShelf &amp; 1 EasyAccess shelf</li> <li>- 1 VitaFresh plus drawer</li> <li>- 1 dairy compartment</li> <li>- 4 door bins</li> <li>- 3 egg racks</li> <li>- LED interior lights on both sides</li> <li>Freezer compartment</li> <li>- 3 pull out drawers including 1 BigBox</li> <li>- 1 ice cube tray</li> <li>- 2 ice packs</li> <li>- Freezing calendar</li> </ul>	
<b>Functions</b>	<ul style="list-style-type: none"> <li>SuperCooling and SuperFreezing functions with automatic deactivation</li> <li>Special function: holiday mode</li> <li>Door open warning signal: acoustic</li> <li>Malfunction warning signal: visual, acoustic</li> </ul>	
<b>Design</b>	<ul style="list-style-type: none"> <li>LED display and touch control</li> <li>Door right hinged, reversible</li> <li>Dimensions (H x W x D): 1,772 x 558 x 545 mm</li> </ul>	
<b>Country of origin</b>	Germany	



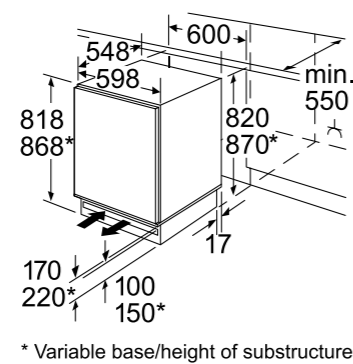
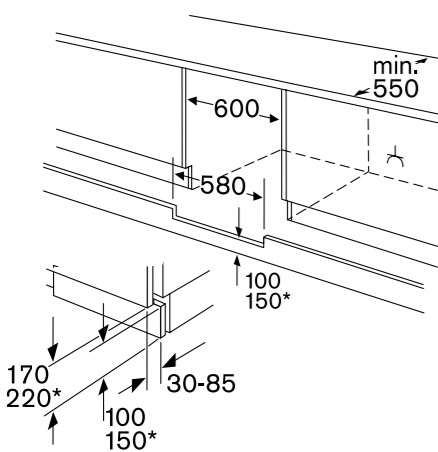
The specified cabinetry door dimensions apply for a door gap of 4mm.



<b>KUL15AFF0G</b> Built-under refrigerator		<b>\$15,800</b>
<b>Performance</b>	<ul style="list-style-type: none"> <li>Annual energy consumption: 140kWh per year</li> <li>HK Energy label: Grade 1</li> <li>Total net capacity: 123 litres</li> <li>Net fridge capacity: 108 litres</li> <li>Net freezer capacity: 15 litres</li> <li>Freezing capacity in 24 hours: 2kg</li> <li>Maximum freezer storage time in power failure: 10 hours</li> <li>Noise level: 38dB</li> <li>Total connected load: 0.09kW (13A)</li> </ul>	
<b>Key features</b>	<ul style="list-style-type: none"> <li>Auto defrost function in fridge</li> <li>Super Freezing function with automatic deactivation</li> <li>Integrated freezer compartment</li> <li>Manual defrost freezer</li> <li>Removable magnetic door seals - easy to clean and to replace</li> </ul>	
<b>Additional features</b>	<ul style="list-style-type: none"> <li>2 safety glass shelves in fridge compartment of which 1 are height adjustable</li> <li>2 vegetables/salad containers</li> <li>1 egg tray</li> <li>3 door shelves</li> <li>1 ice cube tray</li> <li>LED interior lighting</li> <li>Day light-bright interior lighting</li> <li>Right hinged door, door reversible</li> <li>Ventilation through plinth, no cutting of worktop required</li> </ul>	
<b>Design</b>	<ul style="list-style-type: none"> <li>Flush-folding hinge</li> <li>LED display and control</li> <li>Dimensions (H x W x D): 818-868 x 598 x 548 mm</li> </ul>	
<b>Country of origin</b>	• Germany	



<b>KUR15A50HK</b> Built-under fridge		<b>\$14,800</b>
<b>Performance</b>	<ul style="list-style-type: none"> <li>Annual energy consumption: 118kWh per year</li> <li>Total net capacity: 138 litres</li> <li>Noise level: 38dB</li> <li>Total connected load: 0.09kW (13A)</li> </ul>	
<b>Key features</b>	<ul style="list-style-type: none"> <li>Auto defrost function in fridge</li> <li>Removable magnetic door seals - easy to clean and to replace</li> </ul>	
<b>Additional features</b>	<ul style="list-style-type: none"> <li>3 safety glass shelves in fridge compartment of which 3 are height adjustable</li> <li>2 vegetable/salad containers</li> <li>1 egg tray</li> <li>3 door shelves</li> <li>Day light-bright interior lighting</li> <li>Right hinged door, door reversible</li> <li>Ventilation through plinth, no cutting of worktop required</li> </ul>	
<b>Design</b>	<ul style="list-style-type: none"> <li>Flush-folding hinge</li> <li>Mechanical control</li> <li>Dimensions (H x W x D): 818-868 x 598 x 548 mm</li> </ul>	
<b>Country of origin</b>	• Germany	

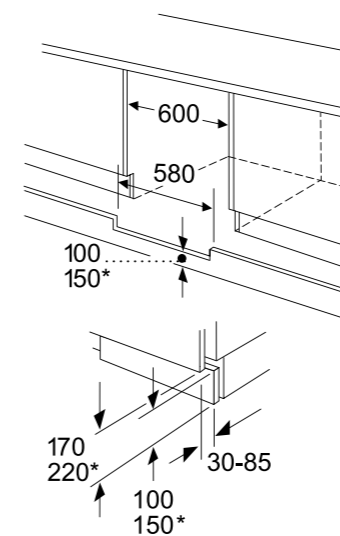


\* Variable base/height of substructure  
Space for electrical connection on the right side or on the left next to the appliance. Venting to and from the base.

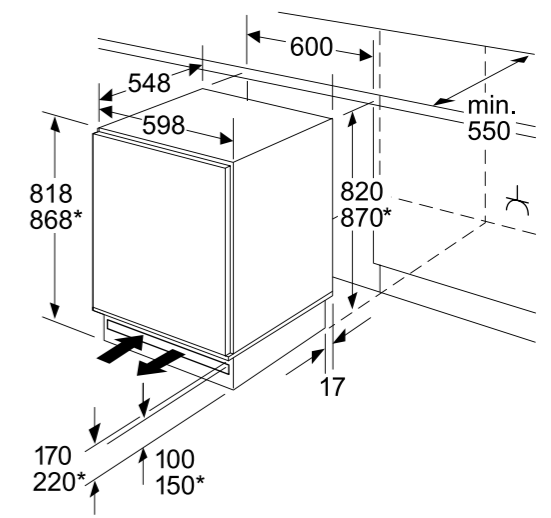
**Recommended gap dimensions for flat hinges**

	F	R	X
16-19	0-3	2,5	
20	0-1	3	
	2-3	2,5	
21	0-1	3	
	2-3	2,5	
22	0	4	
	1	3,5	
	2-3	3	

The gap dimensions recommended in the table must be adhered to in order to ensure that appliance doors do not collide with anything when they are opened, and to avoid causing damage to kitchen units.



Space for electrical connection next to the appliance on the left or right-hand side. Ventilation space in the base.






\* Variable base/substructure height

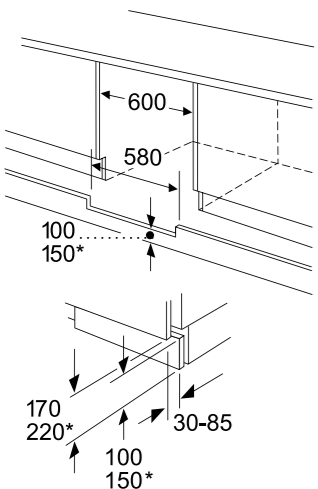
This appliance is best installed in a dry and/or air-conditioned room.

This appliance is best installed in a dry and/or air-conditioned room.

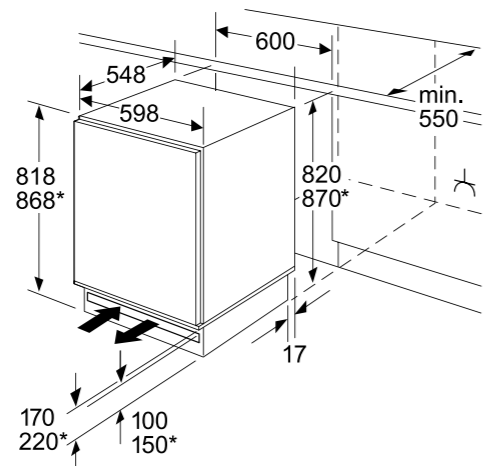




	<b>GUD15AFF0G</b> Built-under freezer	<b>\$15,800</b>
	  	
<b>Performance</b>	<ul style="list-style-type: none"> <li>Annual energy consumption: 184kWh per year</li> <li>Total net capacity: 98 litres</li> <li>Freezing capacity in 24 hours: 12kg</li> <li>Maximum freezer storage time in power failure: 23 hours</li> <li>Noise level: 38dB</li> <li>Total connected load: 0.09kW (13A)</li> </ul>	
<b>Key features</b>	<ul style="list-style-type: none"> <li>Manual defrost freezer</li> <li>Removable magnetic door seals - easy to clean and to replace</li> </ul>	
<b>Additional features</b>	<ul style="list-style-type: none"> <li>*** freezer</li> <li>3 freezer drawers</li> <li>1 ice cube tray</li> <li>Right hinged door, door reversible</li> <li>Ventilation through plinth, no cutting of worktop required</li> </ul>	
<b>Functions</b>	<ul style="list-style-type: none"> <li>SuperFreezing function with manual deactivation</li> <li>Freezing calendar</li> <li>Door open warning signal: Yes</li> <li>Malfunction warning signal: visual, acoustic</li> </ul>	
<b>Design</b>	<ul style="list-style-type: none"> <li>Flush-folding hinge</li> <li>Mechanical control</li> <li>Dimensions (H x W x D): 818-868 x 598 x 548 mm</li> </ul>	
<b>Country of origin</b>	<ul style="list-style-type: none"> <li>Germany</li> </ul>	

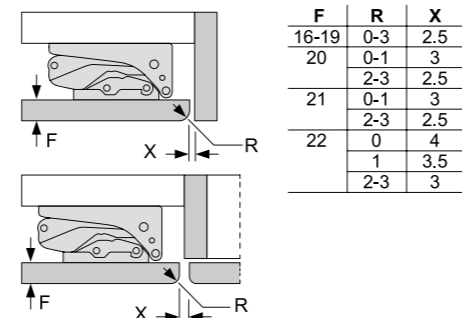


Space for electrical connection next to the appliance on the left or right-hand side.  
Ventilation space in the base.



\* Variable base/substructure height

**Recommended gap dimensions for flat hinges**



The gap dimensions recommended in the table must be adhered to in order to ensure that appliance doors do not collide with anything when they are opened, and to avoid causing damage to kitchen units.

This appliance is best installed in a dry and/or air-conditioned room.

\* For major domestic appliances. Source: Euromonitor, volume sales, 2020

Measurements in mm

variostyle

# Designed to be redesigned

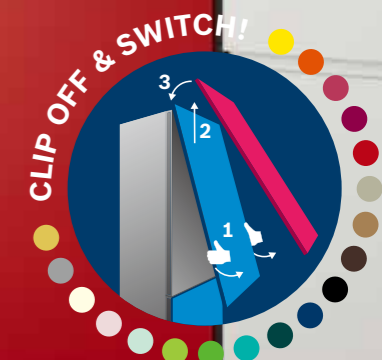
Bosch Vario Style bottom freezer with VitaFresh: your first fridge with exchangeable colour fronts.



Discover more



reddot award 2018 winner



# Dishwashers.



Discover more



## Why use a dishwasher?

Because there are many more important things in life.

### Better Hygiene

Remove up to 99.999%\*\* = Keep you and your family healthy of harmful bacteria and germs

### Time Saved

1 hour of dishwashing per day = 15 days of quality time with family

### Protected Hands

Stay out of contact from detergent = Keep your hands smooth and supple

### DID YOU KNOW ?

You only spend **\$1\*** per wash with our dishwasher!



\* based on SMD6ZCX50E Eco Wash 50°C:  
Water: 9.5L Tariff: \$4.16 per m<sup>3</sup> Energy: 0.83kWh Tariff: \$1.2 per kWh



Invented to clean: Remove up to 99.999%\*\* of bacteria and germs.

## The dirty truth about your kitchen.

Did you know that most harmful germs in your home multiply around the kitchen sink?

### Kitchens contain more harmful bacteria than we think.

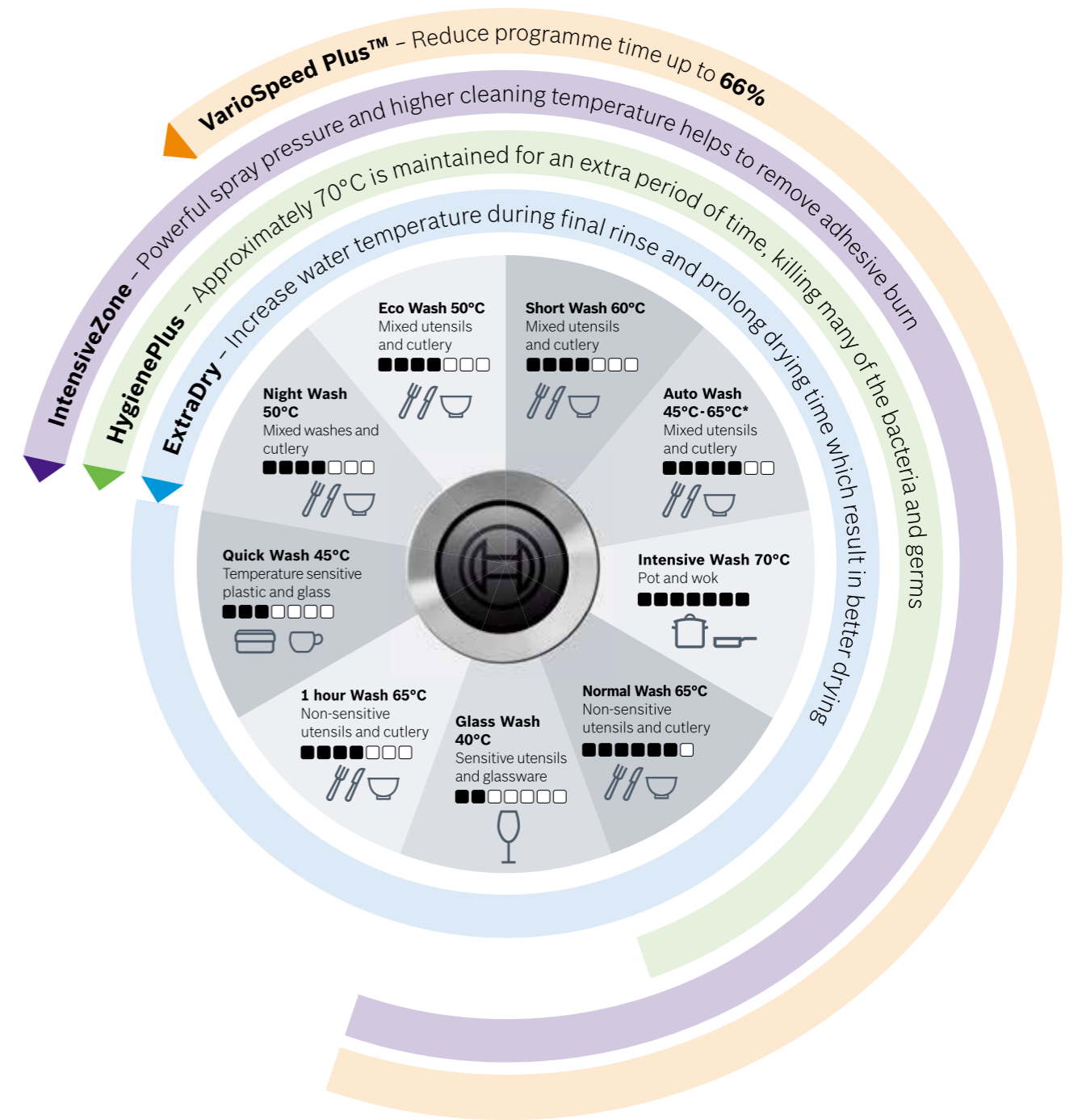
A study on kitchen and food preparation hygiene practices found that while 80% of the households surveyed think there is below moderate risk of getting food poisoning at home, 88% of homes surveyed contained harmful bacteria such as E.coli and Salmonella.

### 'Germiest' item: the kitchen sponge.

88% of the sponges tested were found to contain Salmonella and/or E.coli. However, only 20% of households changed their kitchen sponge regularly (every two weeks or less).

### Hot water is necessary to kill bacteria.

Most bacteria are not able to survive in temperatures above 70°C, which makes hot water an important element in the cleaning process. Some dishwashers are now equipped with Machine Care Programme. It will signal the user after 30 washing cycles and request a high temperature water to clean the cavity to ensure hygiene at all time.



\* Temperature varies according to the soiling with the aid of sensor  
 \*\* Up to 99.999% reduction on Escherichia coli, Staphylococcus aureus in Eco 50°C program, HKGEC1700303101 (date: 05/2017), HKTEC2101424501 (date: 04/2021), HKTEC2003825401 (date: 10/2020) issued by SGS Hong Kong Limited.





## Saving 50 litres.

A dishwasher in Hong Kong saves an average of 50 litres\* of water a day compared to high-consumption hand washing. Doing your bit for the environment.

\* Apply to SMD6ZCX50E using Eco Wash 50°C programme. Assuming 60 litres of water is used for hand washing per day.

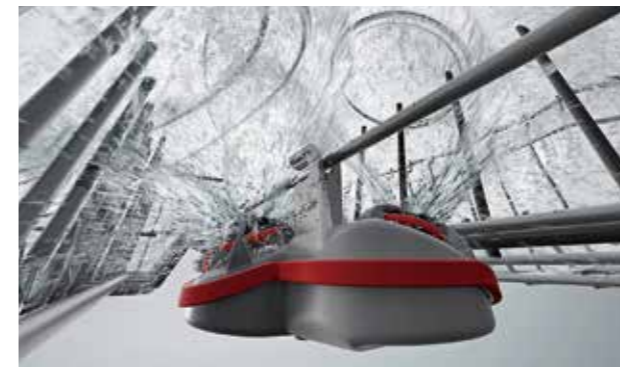


## Wine glass professional handler.

Achieve sparkling glasses by using the professional wine glass holder and bid farewell to water pooling and streak marks. The wine glass holder professionally handles your long stemmed wine glasses safely and securely. The innovative lock ensures your glasses are stable in the basket.



## Features and functions for everyday use.



### ExtraClean Zone

Extra thorough cleaning for heavily soiled items in the upper basket. This intensive zone doesn't need higher temperatures, it uses 3 jets to clean those stubborn items. So no more pre-soaking before going into the dishwasher!

### VarioDrawer™ and VarioDrawer™ Pro

A third loading level for cutlery and utensils. VarioDrawer™ Pro provides loading flexibility for larger items.

### Max Flex Pro baskets

Loading your dishwasher just got a whole lot easier. Our new Max Flex Pro baskets let you load all kinds of dishes easily and ensure they're held securely. The improved sliding system allows the baskets to run smoothly and easily. Even when they are fully loaded.



### TimeLight

Thanks to TimeLight you are informed that your dishwasher is operating and the remaining time of operation is displayed on the floor. In addition also the current progress of operation is shown.



### InfoLight

Coloured light beam projects onto the floor when the machine cycle is started, and turns off when finished.



### AquaStop™

The aquaStop® safety system prevents water damage of any kind, whether in the supply hose or from a leak in the machine.



## Connected dishwashers.

From remote monitoring, to cycle status notifications, to running diagnostics from the comfort of your home, the Home Connect app allows you to remotely monitor and control your Bosch dishwasher from your smartphone for greater convenience.



### Remote monitoring

The Home Connect app can notify you once your dishwasher's cycle is complete, so you'll know when it's ready to be unloaded.



### The dishwasher that keeps count for you

Tab Counter allows you to track the number of your remaining dishwasher tablets. After each purchase of tablets, just enter the number of tablets to the Home Connect app and the Tab Counter counts down the number of tablets in each cycle. It sends a notification via Home Connect app when the remaining is below the identified number. So your dishwasher tablets are always in your control when you need them.

\* This function is suitable for dishwasher tablets, and it cannot be calculated if dishwashing powder is used.

### Suggestive programs

Easy start guides you through selecting the best possible wash program and option. Simply select the type of dishes (eg. Mixed load or glassware) and your cleaning preferences such as time/energy efficiency or extra hygienic. Your recommended program will be displayed.





# Saving energy and resources naturally with PerfectDry.

## Cutting edge technology

Using advanced drying technologies, Bosch dishwashers keep energy consumption to a minimum. Thanks to PerfectDry, the technology behind this is called Zeolith® – a process applied to most cycles that uses natural minerals that heat up when they come into contact with water. The warm air is then distributed evenly over the load. Zeolith® regenerates after every cycle and will last the lifetime of the appliance.



## Award winning technology

Bosch' Zeolith® dishwasher has been awarded the "Innovation Prize for Climate and Environment" by originations. This affirms Zeolith® drying technology's dedication to environmental protection and excellent energy efficiency.

### Cleaning Phase



The Zeolith® has to be heated with a heating element to ensure it is dry and ready for use.

### Rinising Phase



At the end of the final rinse, water evaporates from the heated dishes. The humid air is sucked into the Zeolith® container.

### Drying Phase



Zeolith® absorbs moisture, converts it to heat energy and dries the dishes.

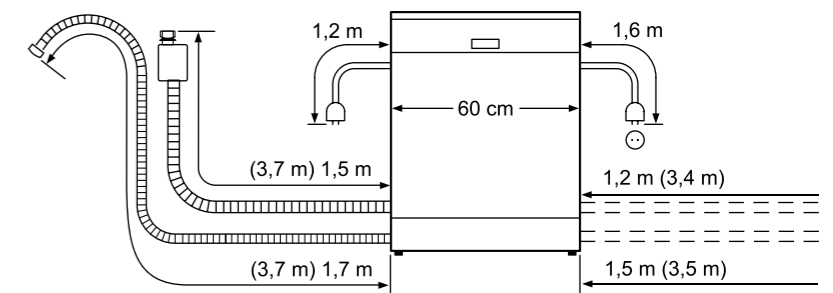
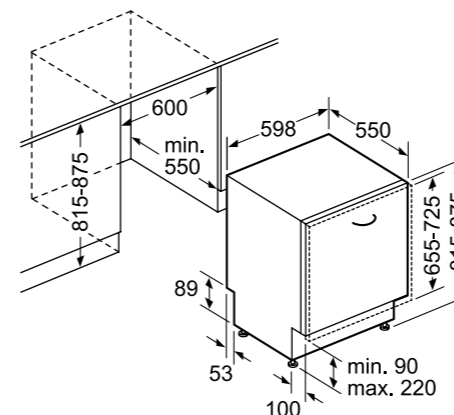


**SMD6ZCX50E**  
60cm fully-integrated dishwasher with PerfectDry

\$25,800



<b>Programmes</b>	<ul style="list-style-type: none"> <li>• 8 Washing programmes:                     <ul style="list-style-type: none"> <li>- Intensive Wash 70°C</li> <li>- Auto Wash 45°C – 65°C</li> <li>- Eco Wash 50°C</li> <li>- Night Wash 50°C</li> <li>- Short Wash 60°C</li> <li>- Glass Wash 40°C</li> <li>- Quick Wash 45°C</li> <li>- Pre Rinse/Favourite</li> </ul> </li> </ul>
<b>Functions</b>	<ul style="list-style-type: none"> <li>• Machine Care programme</li> <li>• VarioSpeed Plus™</li> <li>• IntensiveZone</li> <li>• ExtraDry</li> </ul>
<b>Technology</b>	<ul style="list-style-type: none"> <li>• PerfectDry - Zeolith® drying technology</li> <li>• Door OpenAssis</li> <li>• AquaSensor</li> <li>• Heat exchanger</li> <li>• AquaStop</li> <li>• DosageAssist</li> <li>• TimeLight projection on any floor during operation</li> </ul>
<b>Control</b>	<ul style="list-style-type: none"> <li>• 1-24 hours delay start timer</li> </ul>
<b>Design</b>	<ul style="list-style-type: none"> <li>• 3-level height adjustable top basket</li> <li>• VarioDrawer Pro</li> <li>• Max Flex Pro basket</li> <li>• Extra Clean Zone</li> <li>• Full flexibility of door panel at your choice (not included accessory)</li> </ul>
<b>Technical information</b>	<ul style="list-style-type: none"> <li>• 14 place settings</li> <li>• Consumption rates (Eco Wash 50°C programme)                     <ul style="list-style-type: none"> <li>- Water: 9.5L</li> <li>- Electricity: 0.83kWh</li> </ul> </li> <li>• Noise level: 42dB</li> <li>• Total connected load: 2.4kW (13A)</li> <li>• Dimensions (H x W x D):                     <ul style="list-style-type: none"> <li>- Appliance: 815-875 x 598 x 550 mm</li> </ul> </li> </ul>
<b>Country of origin</b>	<ul style="list-style-type: none"> <li>• Germany</li> </ul>



( ) values with extension kit

\* 99.999% reduction on Escherichia coli, Staphylococcus aureus in Eco 50°C program, HKTEC2101424501 (date 04/21) issued by SGS Hong Kong Limited.

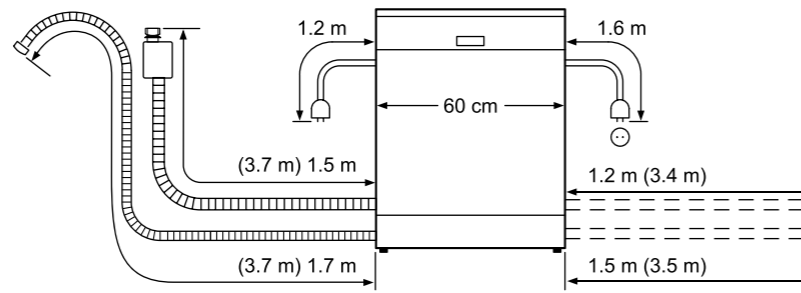
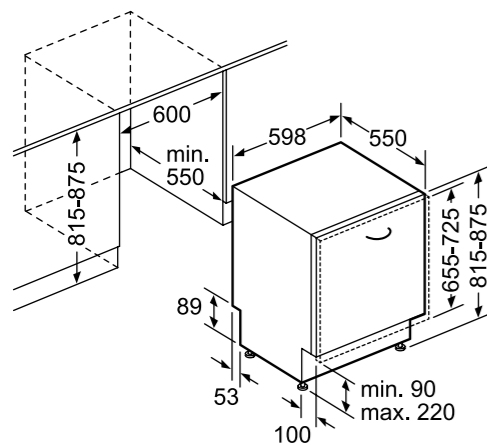




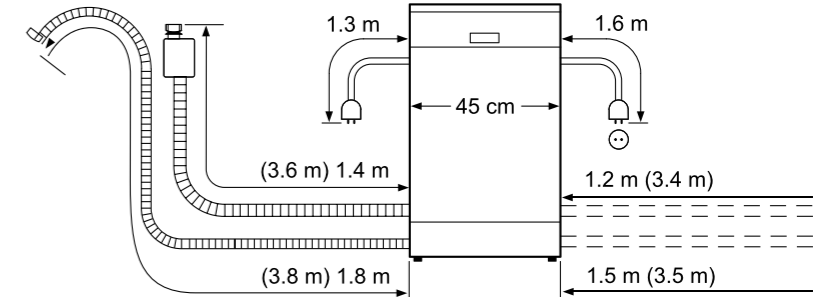
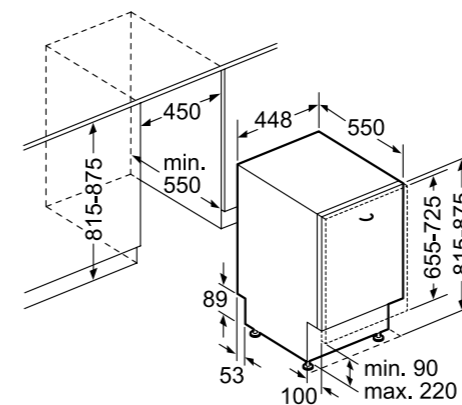
<b>SMV50D10EU (While stocks last)</b> <span style="float: right;"><b>\$10,800</b></span> 60cm fully-integrated dishwasher	
<b>Performance</b>	• Drying performance class: A
<b>Programmes</b>	<ul style="list-style-type: none"> <li>• Intensive Wash 70°C</li> <li>• Normal Wash 65°C</li> <li>• Eco Wash 50°C</li> <li>• Quick Wash 45°C</li> <li>• Pre Rinse</li> </ul>
<b>Function</b>	• VarioSpeed
<b>Technology</b>	<ul style="list-style-type: none"> <li>• AquaSensor</li> <li>• AquaStop</li> <li>• DosageAssist</li> <li>• Red InfoLight projection on floor during operation</li> </ul>
<b>Control</b>	<ul style="list-style-type: none"> <li>• Black fascia panel with LED indicator</li> <li>• 3, 6, 9 hours delay start timer</li> </ul>
<b>Design</b>	<ul style="list-style-type: none"> <li>• 2-level height adjustable top basket</li> <li>• Full flexibility of door panel at your choice (not included accessory)</li> <li>• Moveable cutlery basket</li> </ul>
<b>Technical information</b>	<ul style="list-style-type: none"> <li>• 12 place settings</li> <li>• Consumption rates (Eco Wash 50°C programme)                             <ul style="list-style-type: none"> <li>- Water: 11.7L</li> <li>- Electricity: 1.02kWh</li> </ul> </li> <li>• Noise level: 48dB</li> <li>• Total connected load: 2.4kW (13A)</li> <li>• Dimensions (H x W x D):                             <ul style="list-style-type: none"> <li>- Appliance: 815-875 x 598 x 550 mm</li> </ul> </li> </ul>
<b>Country of origin</b>	• Poland



<b>SPV4XMX28E</b> <span style="float: right;"><b>\$15,800</b></span> 45cm fully-integrated dishwasher	
<b>Programmes</b>	<ul style="list-style-type: none"> <li>• Intensive Wash 70°C</li> <li>• Auto Wash 45°C – 65°C</li> <li>• Eco Wash 50°C</li> <li>• 1 Hour Wash 65°C</li> <li>• Night Wash 50°C</li> <li>• Pre Rinse/Favourite</li> </ul>
<b>Function</b>	<ul style="list-style-type: none"> <li>• Machine Care programme</li> <li>• VarioSpeed Plus™</li> <li>• Intensive Zone</li> <li>• ExtraDry</li> </ul>
<b>Technology</b>	<ul style="list-style-type: none"> <li>• AquaSensor</li> <li>• Heat exchanger</li> <li>• AquaStop</li> <li>• DosageAssist</li> <li>• Red InfoLight projection on floor during operation</li> </ul>
<b>Control</b>	• 1-24 hours delay start time
<b>Design</b>	<ul style="list-style-type: none"> <li>• DuoPower double spray arms</li> <li>• 3-level height adjustable top basket</li> <li>• VarioFlex Drawer</li> <li>• VarioFlex Plus basket</li> <li>• Stainless steel cavity</li> <li>• Full flexibility of door panel at your choice (not included accessory)</li> </ul>
<b>Technical information</b>	<ul style="list-style-type: none"> <li>• 10 place settings</li> <li>• Consumption rates (Eco Wash 50°C programme)                             <ul style="list-style-type: none"> <li>- Water: 9.5L</li> <li>- Electricity: 0.83kWh</li> </ul> </li> <li>• Noise level: 46dB</li> <li>• Total connected load: 2.4kW (13A)</li> <li>• Dimensions (H x W x D):                             <ul style="list-style-type: none"> <li>- Appliance: 815-875 x 448 x 550 mm</li> </ul> </li> </ul>
<b>Country of origin</b>	• Poland



( ) values with extension kit



( ) values with extension kit

99.99% reduction on Escherichia coli, Staphylococcus aureus in Eco 50°C program, HKGEC1700303101 (date: 05/2017) issued by SGS Hong Kong Limited.

\* 99.999% reduction on Escherichia coli, Staphylococcus aureus in Eco 50°C program, HKTEC2003825401 (date 10/20) issued by SGS Hong Kong Limited.

# Laundry.



Discover more



# The simplest way to clean and dry laundry.

Bosch built-in home laundry appliance with green technologies saves you even more water, energy and time. It makes great cleaning results and your life easier.



### Reduced ironing

The laundry is tumbled gently periodically during the normal programme spin cycle and then again at the end of the spin phase, keeping laundry fluffy and tangle free. The result is reduced creasing and therefore easier ironing.

### Fluff Clean

For use after each drying cycle, the Fluff Clean programme conveniently cleans the drum preventing fluff on the next wash load.



### MultiSafe

All Bosch washing machines are designed with safety in mind, from the highly pressure-resistant water supply hose and overflow prevention systems, to the electronic lock that prevents the porthole from being opened unintentionally mid-cycle.



### SafetyLock

The safety lock feature will prevent little fingers from interfering with the machine when it is functioning.

### Prewash

A 20-minute, 35°C wash for especially dirty clothes. The prewash loosens and removes dirt prior to the main wash.

### Water Plus

A higher water level is used throughout the wash and rinse cycles of the chosen wash programme for best rinsing results.

### Intensive

The Intensive option extends wash programme to give a more intensive wash and brings the equivalent of an A-class wash performance to a wider range of temperatures than ever before, unlike most washing machines on the market.

### Flexi Time

Designed especially for lightly soiled items, Flexi Time allows you to reduce the wash time by up to 30%. Press the button once to reduce the wash time or if the items are only very lightly soiled press it twice to reduce the wash time even further.

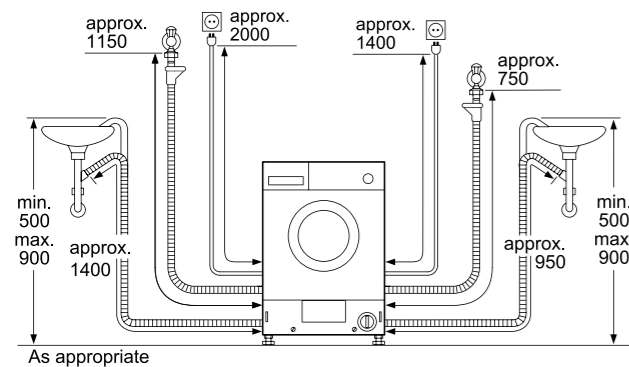
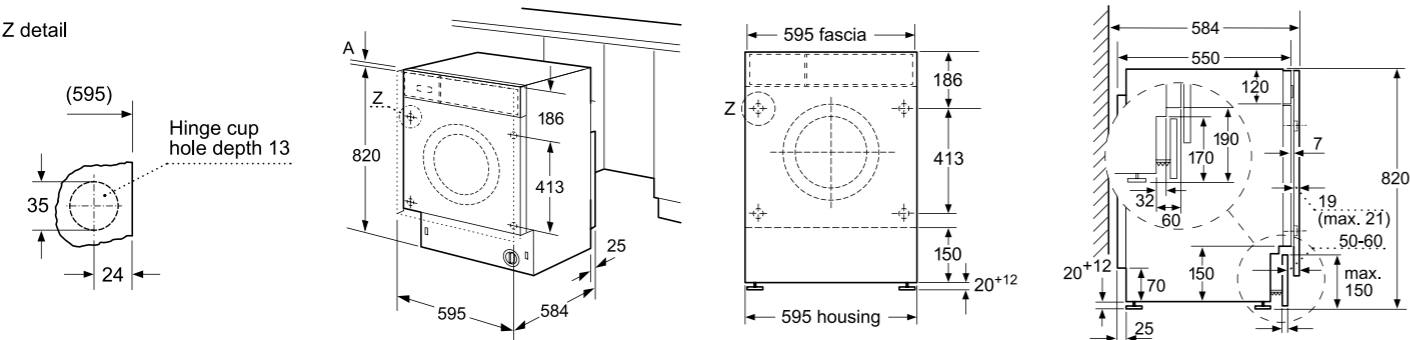






WKD28351HK Fully-integrated washer dryer		\$19,800
<b>Design</b>	<ul style="list-style-type: none"> <li>Fully electronic control dials for all wash and special programmes</li> <li>Display for program time remaining and progress indication</li> <li>Full flexibility of door panel at your choice (not included accessory)</li> <li>Time-controlled drying</li> <li>Buzzer to indicate the end of cycle</li> </ul>	
<b>Programmes &amp; additional functions</b>	<ul style="list-style-type: none"> <li>Washing Programmes: Cottons, Mixed Load, Wool, Delicates/Silk, Easy-Care</li> <li>Drying Programmes: Intensive Dry, Gentle Dry, Fluff Clean</li> <li>Washing Options: Spin speed selection, Prewash, Intensive, Easy Iron, Water Plus, Flexi time, Finish in time selection (1-24 hours)</li> </ul>	
<b>Technology</b>	<ul style="list-style-type: none"> <li>Safeguard monitoring system adjusts load distribution and programme settings to protect clothes</li> <li>Foam detection system</li> </ul>	
<b>Safety functions</b>	<ul style="list-style-type: none"> <li>AquaSecure water protection</li> <li>Childproof lock</li> </ul>	
<b>Technical information</b>	<ul style="list-style-type: none"> <li>Washing capacity: 7kg, Drying capacity: 4kg</li> <li>Spin speed selection from 600-1400 rpm</li> <li>HK energy label 1</li> <li>HK water label 1</li> <li>Total connected load: 2.2kW (10A)</li> <li>Dimensions (H x W x D): 820 x 595 x 584 mm</li> <li>Metal door hinge on the left</li> </ul>	
<b>Country of origin</b>	<ul style="list-style-type: none"> <li>Italy</li> </ul>	

Z detail



As appropriate

Measurements in mm

### Refrigerator accessory

	Model	Price (HK\$)	
Special cleaner for refrigerators	00312138	160	All refrigerator models



### Dishwasher accessories

	Model	Price (HK\$)	SMD6ZCX50E	SMV50D10EU	SPV4XMX28E
Wine glass tray Up to 4 stemmed glasses can be securely placed, optimally cleaned and dried without touching each other or fall over	SMZ5300	600	●	●	-
Baking sheet spray head	00612114	160	All dishwasher models		
Descaler	0031886	130	All dishwasher models		
Cleaner for dishwashers	00312193	300	All dishwasher models		



### Laundry accessories

	Model	Price (HK\$)	WKD28351HK
Cleaner	0031887	130	●
Descaler	0031886	130	●



### Suitable to use on stainless surfaces

	Model	Price (HK\$)	Description
Conditioning cloths for stainless steel surfaces (5pcs)	00312007	130	<ul style="list-style-type: none"> <li>Protect surfaces from further marks such as fingerprints</li> <li>Leave attractive shiny finish on stainless steel surfaces</li> <li>Food safe</li> </ul>



# Experience living with Bosch, your helping friend!



## Bosch Galleria

The new Bosch Galleria has officially opened on May 4, 2022 at the center of Causeway Bay. Designed in a high-end kitchen setting with simple style, the 2,500-square-foot Galleria now offers customers the opportunity to immerse themselves and ultimately experience the new generation of built-in appliances from Bosch to truly appreciate its qualities. Join us to open an oven door and enjoy the perfect baking results at your fingertips during our cooking events. Explore or get inspired by our kitchen design through the personalized consultation services. Touch, feel and test use these appliances to be convinced! Come together to learn more about the appliances before or after purchasing. Our market leading Customer Service team & onsite Product Consultant is always at your service to offer help and support.



Address: 1/F, HDH Centre, 8 Pennington Street, Causeway Bay, Hong Kong  
Telephone: 2191 3388

Opening Hours:  
Monday – Saturday: 10a.m. – 7p.m.  
Sunday and Public Holidays: 12p.m. – 7p.m.

# Reliable Service

Bosch’s reliable, professional and efficient customer service provides you with quality pre-sales and after-sales services. Our professional consultation services for built-in appliances will help you create the perfect kitchen.



## The Perfect Kitchen Experience

Here at Bosch, we promise you a one-stop consultation service – before and after purchase. Whether you need advice on kitchen planning and selecting the right product, need help in home inspection and measurement, or want to get support in professional installation – our technician experts are here for you.



Visit the Bosch Galleria or Bosch concept counters. Our Product Consultant will provide you with professional advice and tips for our built-in kitchen appliances, to help you with design and planning for the kitchen.

◀ Scan the QR code and search for the location of Bosch’s concept counters.



## Online Warranty Registration

All Bosch home appliances come with a 2-year product warranty (not applicable to accessories). Furthermore, a 5-year warranty is provided for the compressor on all Bosch refrigerators. Register for a MyBosch account at Bosch’s official website to enjoy the service.

[www.bosch-home.com.hk/mybosch.html](http://www.bosch-home.com.hk/mybosch.html)



## Fair repair prices. Guaranteed.

Our customer-friendly pricing system is transparent and reliable. We will be happy to advise you the best solution. An extra 2-month warranty will be offered on chargeable repairs performed after the 2-year warranty period.



## Lifetime service. It goes without saying at Bosch.

Once your warranty period is over, we are still there to assist you. You can rely on expert care and first-rate service throughout your appliance’s life cycle. From missing instruction manuals to appliance repair – we take care of everything. A promise is a promise.



## Online Store

At the Bosch online store, you can conveniently purchase a wide range of home appliances and accessories at home.

[www.bosch-home.com.hk/store](http://www.bosch-home.com.hk/store)



## Our service quality. Awarded!

Our Bosch customer service scores top marks around the world for its performance. In Great Britain, for instance, it was winner of the “Total Excellence & Quality Award”.



## Original accessories. Effective care products.

Take a look at our extensive range of accessories available for order: discover additional uses, replace old materials for optimum operation or simply give a trusty home appliance (designated models) a good work-over. With the right care, you will be able to enjoy your high quality appliances for many years to come.



## Quality service straight from the manufacturer. Original Bosch.

We are committed to quality – also when it comes to after sales service. For no-one knows our appliances better than our highly trained service engineers. They are working with the latest equipment for measuring, diagnostics and repairs, and use only original Bosch spare parts.



## Extensive customer services network. Just a call away.

Help in your home for large appliances such as washing machines or dishwashers need specialised engineers who offer on-site diagnosis and repairs. We are just a phone call away!



### **Bosch Galleria**

1/F, HDH Centre, 8 Pennington Street, Causeway Bay, Hong Kong  
Telephone: 2191 3388


### **Customer Contact Center**

Unit 07, 23/F, CDW Building, 388 Castle Peak Road  
Tsuen Wan, New Territories, Hong Kong  
Customer Contact Hotline: 2626 9655 (Hong Kong)/ 0800 863 (Macau local call only)

[www.bosch-home.com.hk](http://www.bosch-home.com.hk)

 [www.facebook.com/boschhomeHK](https://www.facebook.com/boschhomeHK)

 [www.youtube.com/boschhomeHK](https://www.youtube.com/boschhomeHK)

 [www.instagram.com/boschhomehongkong/](https://www.instagram.com/boschhomehongkong/)



Official Site



Our Facebook page:  
[@boschhomehk](https://www.facebook.com/boschhomeHK)



Our YouTube channel:  
Bosch Home HK



Our Instagram:  
[boschhomehongkong](https://www.instagram.com/boschhomehongkong)

The product images used in the catalogue are for reference only; the models are subject to availability.

Models numbers and specifications are for reference only and are subject to change without prior notice. Bosch is continuously seeking to improve specification, design and production of its appliances and alterations may take place regularly.

All descriptions and installation diagrams are intended as a guide only.

For additional technical information, full dimensional and installation details, please refer to the instruction manual supplied with the appliance. Electrical and gas connections should only be made in accordance with the regulations of the national authorities.

Rights of technical modification reserved, delivery subject to availability, colors of actual products may vary from illustrations.

**Your dealer will be able to provide you with reliable information.**

©2022 BSH Home Appliances Limited. All rights reserved. All contents and information contained in this Catalogue are proprietary to BSH Home Appliances Limited and are subjected to copyright protection. Reproduction, republication, redistribution or unauthorized use of any content or information contained in this Catalogue is expressly prohibited without the prior written consent of BSH Home Appliances Limited.

Printed in Hong Kong [06.2022]