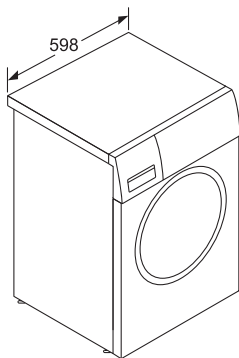
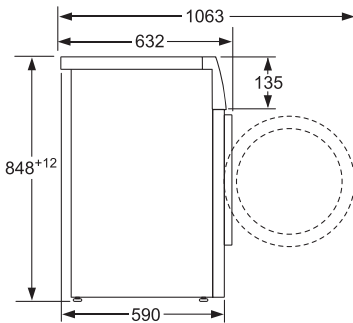




BOSCH

Invented for life



WGA244BGHK
Front loading washer

\$11,800



Design

- Series 8
- AllergyPlus program: 99.9%^a bacteria removal at low temperature wash
- Active Oxygen™ Refresh: Refreshing your clothes from odors without washing in just 45 min
- 4D Wash system with Intensive Plus: highly efficient water and detergent fabric penetration for spotless results
- EcoSilence Drive™ (EcoSilence Drive™: Extremely energy-efficient and quiet in operation with long lifetime
- AntiVibration™ design (AntiVibration™ design: More stability, less vibration

Programmes & additional options

- Programs: Cottons, Cottons Eco, Synthetics, Mix, Delicates/Silk, Wool, Rinse, Active Oxygen Refresh, AllergyPlus, Quick 15'/30', Shirts, Sportswear, AllergyPlus, Drum Clean, Spin/Drain
- Options: Intensive Plus, SpeedPerfect, Pre-wash, Power Rinse, Easy Iron, Temperature selection, Spin speed selection, Finish in time selection, Start/Reload

Technology

- AllergyPlus program: 99.9%^a bacteria removal at low temperature wash
- Active Oxygen™ Refresh: Refreshing your clothes from odors without washing in just 45 min
- 4D Wash system with Intensive Plus: highly efficient water and detergent fabric penetration for spotless results
- EcoSilence Drive™: Extremely energy-efficient and silent in operation with long lifetime guaranteed for 10 years
- AntiVibration™ design: More stability, less vibration
- Super suspension system: 3 suspension axels
- VarioDrum: Comfort, spacious, gentle on fabrics, tough on stains
- Electronic control dials and Large LED-Display for program status indication, remaining time, temperature, spin speed, water and energy consumption status, additional options and 24 hours end time delay
- LED Drum interior light
- ActiveWater™ Plus and Flow sensor: Optimization of water consumption
- Jetsystem™: SelfCleaning detergent drawer
- 3D AquaSpa wash system: Fast water penetration
- Energy and water consumption indicator
- Buzzer to indicate the end of cycle

Safety functions

- Foam detection and unbalanced load detection
- Childproof lock

Technical information

- Washing Capacity: 9kg
- Spin speed selection from 400-1400rpm
- HK energy label 1
- HK water label 1
- Total connected load: 2kW (10A)
- Dimensions (H x W x D): 848 x 598 x 590(632*) mm

Country of origin

- Germany

^a 99.9% reduction on Escherichia coli in AllergyPlus (cold water) program – Study Report No. HKTEC2102956605 issued by SGS Hong Kong Limited (11 /2021).
* Included door frame thickness

Please reserve 5-10mm as buffer due to possible uneven flooring
Please consult product hotline for installation requirement

Measurements in mm