



# BOSCH

Invented for life



## KAI93VIFPG (Stainless Steel Look) Side-by-side refrigerator

\$18,800



### Performance

- HK Energy label: Grade 1
- Total net capacity: 533 litres
- Net fridge capacity: 368 litres
- Net freezer capacity: 165 litres
- Freezing capacity in 24 hours: 13kg
- Maximum freezer storage in power failure: 8 hours
- Noise level: 42dB
- Total connected load: 0.24kW (13A)
- VariolInverter

### Key features

- Frost free freezer
- Auto defrost function in fridge
- Separate temperature control
- MultiAirflow system
- LED illumination interior light

### Additional features

- Fridge compartment
  - 5 safety glass shelves of which 1 is adjustable
  - 2 MultiBox drawers
  - 5 door bins
  - Egg tray
  - 4.5L water tank, easy to fill
- Freezer compartment
  - 5 safety glass shelves
  - 2 pull out drawers
  - 3 door bins
  - Automatic ice and water dispenser, 120pc ice cubes per day (ice cubes, crushed ice, water)

### Functions

- SuperCooling and SuperFreezing functions with automatic deactivation
- Special functions: eco, holiday modes
- Door open warning signal: Optical and acoustical
- Malfunction warning signal: Optical and acoustical
- 4 wheels, 2 height adjustable front feet

### Design

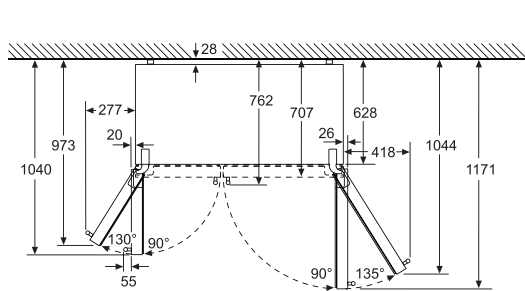
- Stainless steel look EasyClean door and chrome inox metallic panels
- Exterior TouchControl display panel
- Dimensions (H x W x D): 1,787 x 908 x 707 (762\*)mm
- Please reserve an additional depth for ventilation purpose\*

### Country of origin

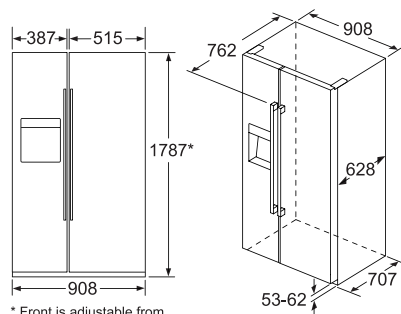
- China

\* Include door handle.

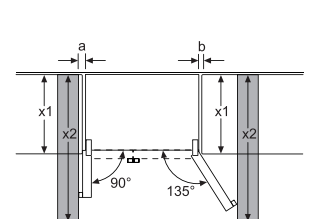
^ Depth includes 28mm spacer at the rear for ventilation. Recommended min. ventilation space for built-in installation, Top: 90mm, Sides: min. 25mm each. Door hinge should be placed outside the cabinet.



Chilling drawers can be pulled out completely at door opening angle of 135°



\* Front is adjustable from 1783 to 1792



x 1 (unit depth)	a	b
600	0	0
650	20	25
700	20	76
x 2 (wall)	75	418

Measurements in mm