



BOSCH

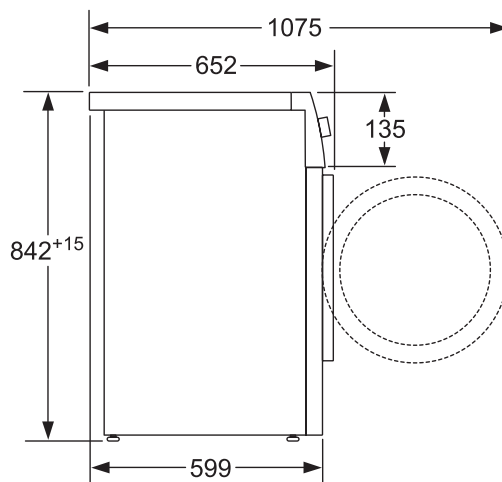
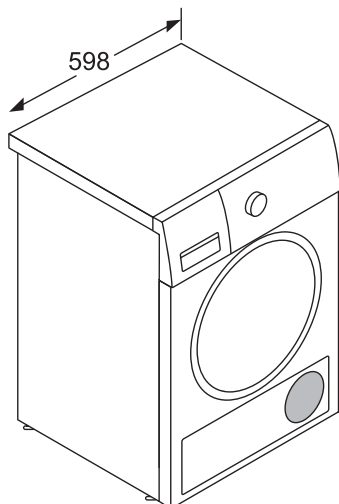
Invented for life



WTX87MH0SG Heat pump condensation dryer		\$12,800
Design	<ul style="list-style-type: none"> • Series 8 • 9kg drying capacity Large stainless steel with textile care structure, soft design paddles • New JogDial control design with large LED display • AutoClean System 	
Programmes & additional options	<ul style="list-style-type: none"> • Programmes: Cottons, Synthetics, Mix, Delicates, Wool Finish, Timed Prog. Warm, Smart Dry[▲], Shirts/Blouses, Duvet, Down Wear, Sportswear, Towels, Super Quick 40', AllergyPlus • Options: Easy – Iron 60mins, Easy – Iron 120mins, Low Heat Drying, Drying Target (Cupboard Dry plus, Cupboard Dry, Iron Dry), Fine Adjust (3 levels of selection), Finish in time selection 	
Technology	<ul style="list-style-type: none"> • ActiveAir Heat Pump Technology with AutoClean system • Auto Dry technology • Sensitive Drying system: Large stainless steel with textile care structure, soft design paddles • AntiVibration™ design for more stability and quietness • Electronic control dials and Large LED-Display for programmes status indication, remaining time, additional options • 24 hours end time delay • LED drum interior light • Buzzer to indicate the end of cycle • Condensation drainage kit 	
Safety function	<ul style="list-style-type: none"> • Childproof lock 	
Technical information	<ul style="list-style-type: none"> • Total connected load: 1kW (10A) • Dimensions (H x W x D): 842 x 598 x 599 (652*) mm 	
Optional accessories	<ul style="list-style-type: none"> • Basket for woollens (WMZ20600 Price: \$1,200) • Stacking kit with pull-out shelf (WTZ27400 Price: \$1,400) • Stacking kit (WTZ27410 Price: \$750) 	
Country of origin	<ul style="list-style-type: none"> • Poland 	

* Include door frame thickness

Please consult customer service department for installation requirement.
Please reserve 5-10mm as buffer due to possible uneven flooring.



Measurements in mm