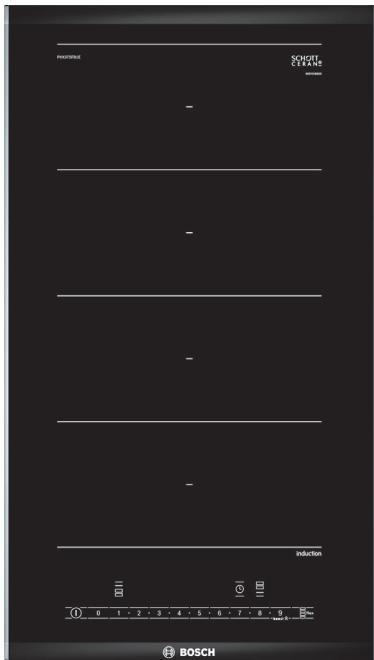




# BOSCH

Invented for life



**PXX375FB1E**

**\$21,400**

**Domino FlexInduction Hob**



**Performance**

- 2 induction cooking zones
- 1 FlexInduction Zone
- 17 stages of power setting
- DirectSelect touch control

**Functions**

- QuickStart
- ReStart

**Features**

- FlexInduction: Combining cooking zones for more flexibility
- PowerBoost: Up to 50% more power for faster heating
- Energy consumption display
- Count-down timer for each zone
- Kitchen timer
- Count-up timer for each zone

**Design**

- SCHOTT CERAN® ceramic glass
- ComfortProfil: Beveled front and rear with side profiles
- Can be combined with all hobs in comfort design

**Safety functions**

- Digital 2-stage residual heat indicator for each zone
- Main switch
- Safety switch-off
- Small cookware detection
- Anti overflow protection
- Childproof lock

**Technical information**

- Cooking zone output

Zone	Output (kW)	Output without booster (kW)	Dimensions (mm)
FlexInd.	3.7	3.3	400 x 210
Front	3.7	2.2	200 x 210
Rear	3.7	2.2	200 x 210

- Total connected load: 3.7kW\* \*Nominal connected load: 3.6kW
- (220V/20A single phase connection)

**Dimensions:**

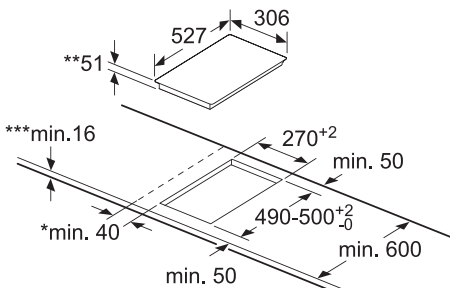
- Appliance (H x W x D): 51\* x 306 x 527 mm \*excl. glass thickness
- Cut out (W x D): 270 x 490-500 mm

**Optional accessories**

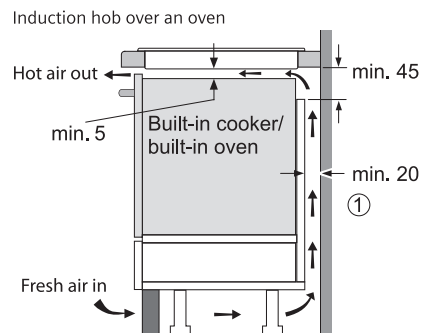
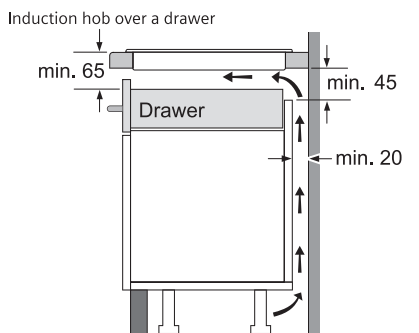
- Connection strip (HEZ394301 Price: \$900)
- Griddle Plate (HEZ390522 Price: \$3,800)
- Teppan Yaki (HEZ390512 Price: \$3,200)
- Induction roaster (HEZ390011 Price: \$3,000)
- Steaming rack for Induction roaster (HEZ390012 Price: \$1,030)

**Country of origin**

- Spain



- \* Minimum distance from the hob cut-out to the wall.
- \*\* Recessed depth
- \*\*\* The clearance between the surface of the worktop and the top of the front of the oven must be 30 mm. See space requirements for the oven.



① Ventilation gap must be present

Measurements in mm