

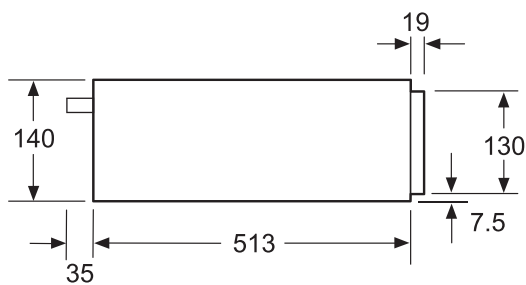


# BOSCH

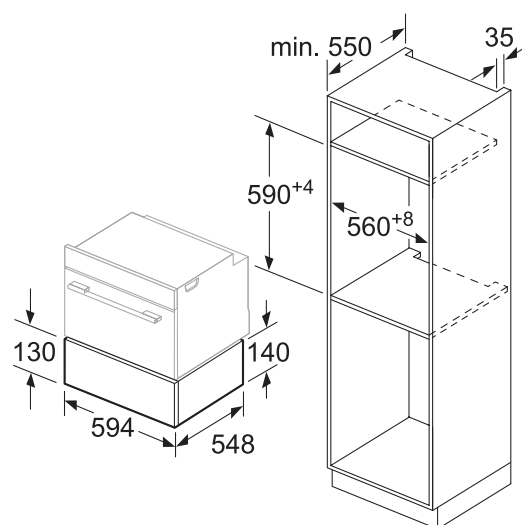
Invented for life



	<b>BIC630NS1B</b> Built-in warming drawer	<b>\$12,800</b>
<b>Performance</b>	<ul style="list-style-type: none"> <li>• 6 place settings:               <ul style="list-style-type: none"> <li>- 6 x 24cm dinner plates</li> <li>- 6 x 10cm soup bowls</li> <li>- 1 x 19cm serving dish</li> <li>- 1 x 17cm serving dish</li> <li>- 1 x 32cm meat plate</li> </ul> </li> </ul>	
<b>Features</b>	<ul style="list-style-type: none"> <li>• Usable for:               <ul style="list-style-type: none"> <li>- Proving yeast dough</li> <li>- Thawing food</li> <li>- Keeping food warm</li> <li>- Pre-warming utensils</li> <li>- Slow cooking</li> </ul> </li> </ul>	
<b>Design</b>	<ul style="list-style-type: none"> <li>• Stainless steel cavity</li> <li>• Rotary temperature control knob</li> <li>• Push and pull opening mechanism</li> </ul>	
<b>Safety functions</b>	<ul style="list-style-type: none"> <li>• Full extension telescopic rails</li> <li>• Cool door</li> <li>• Operating indicator light</li> </ul>	
<b>Technical information</b>	<ul style="list-style-type: none"> <li>• Capacity: 20L</li> <li>• Loading: 25kg max.</li> <li>• Heating temperature: 40°C – 80°C</li> <li>• Total connected load: 0.81kW (13A)</li> <li>• Dimensions (H x W x D):               <ul style="list-style-type: none"> <li>- Appliance: 140 x 594 x 548 mm</li> <li>- Cavity: 92 x 468 x 458 mm</li> </ul> </li> </ul>	
<b>Country of origin</b>	• Slovakia	



Compact ovens with an appliance height of 455 mm can be installed above a warming drawer. An intermediate floor is not required.



Measurements in mm