

vari○style

Designed to be Designed 隨心 • 隨色 重新定義

Bosch Vario Style bottom freezer with VitaFresh, your first fridge with exchangeable colour front panels. Now you can make your kitchen unique and an expression of your individual personality and style.

Bosch Vario Style 無霜雪櫃配備 VitaFresh 保鮮技術，您可隨時輕鬆地更換門板顏色。讓您的廚房獨一無二，將您的個性和風格完美呈現。

VitaFresh

Always fresh. Always in season 永遠時令、總是新鮮

Bosch VitaFresh technology always maintains the right storage conditions, you are able to store fish and meat hygienically at around 0°C in upper drawers. With an adjustable humidity setting, the big bottom drawer keeps fruit and vegetables fresh for longer.

Bosch VitaFresh 保鮮技術為不同食材提供最合適的貯存條件，魚類和鮮肉可衛生地貯存於與 0°C 相近的上層保鮮格。下層大型保鮮格設有濕度調節，專門用於保持鮮果和蔬菜新鮮，讓食材貯存更長時間。



Watch Video
觀看影片

Cool Solutions 冷凍產品



Discover More
了解更多



reddot award 2018
winner





Vario Style
NoFrost bottom freezer
with exchangeable colour
front panels
無霜下置冰格雪櫃
配可更換顏色門板



Total net cap. 總淨容量 : 323L
Net fridge cap. 冷藏室淨容量 : 235L
Net freezer cap. 冷凍室淨容量 : 88L
Special mode 特殊模式 : eco 節能
Door right hinged, reversible 預設右門鉸, 可更換左門鉸
Dimensions 尺寸 (H x W x D): 1,860 x 600 x 660 cm
Made in Turkey 土耳其製造
Basic model 產品基本型號: KGN361J3CK



Special Site
 瀏覽專頁

KVN361R3CK
 Cherry red 櫻桃紅

With the new Bosch Vario Style bottom freezer with exchangeable colour fronts, you can now restyle your fridge anytime. Simply choose from **up to 25 individual fresh looks** – from vibrant Cherry red to bold colours such as Aqua... The choice is yours.

全新 Bosch Vario Style 及可更換顏色門板, 讓您可以隨時更換您的雪櫃顏色。共 25 款「型」色門板 - 由充滿活力的 Cherry red (櫻桃紅) 到前衛大膽的顏色如 Aqua (湖水藍) …… 創意任意選擇。



Made in Germany
 德國製造



Made of high quality galvanized steel sheet
 採用優質鍍鋅鋼材



Simple to install with invisible hooks and magnets
 隱藏式掛鉤和磁鐵輕鬆連接

All Colours at a Glance 所有顏色 一目了然

NEW
 新登場



KVN361D3EK
 Pearl Bronze 古銅棕
 Colour door fronts 顏色門板
 KSZ1AVD20



KVN361G3FK
 Pearl Anthrazite 銀鐵灰
 Colour door fronts 顏色門板
 KSZ1AVG10



KVN361H3EK
 Pearl green 極光綠
 Colour door fronts 顏色門板
 KSZ1AVH10



KVN361G3IK
 Pearl grey 迷霧灰
 Colour door fronts 顏色門板
 KSZ1AVG20



KVN361L3EK
 Pearl Aubergine 午夜紫
 Colour door fronts 顏色門板
 KSZ1AVL10



KVN361Z3EK
 Black mat (Accent Line) 曜影黑
 Colour door fronts 顏色門板
 KSZ1AVZ10



KVN361F3CK
 Sunflower 朝日黃
 Colour door fronts 顏色門板
 KSZ1AVF00



KVN361O3CK
 Orange 鮮橙
 Colour door fronts 顏色門板
 KSZ1AVO00



KVN361E3CK
 Raspberry 野莓紅
 Colour door fronts 顏色門板
 KSZ1AVE00



KVN361L3DK
 Plum 紫紅
 Colour door fronts 顏色門板
 KSZ1AVL00



KVN361R3CK
 Cherry red 櫻桃紅
 Colour door fronts 顏色門板
 KSZ1AVR00



KVN361K3CK
 Champagne 香檳金
 Colour door fronts 顏色門板
 KSZ1AVK00



KVN361C3CK
 Coffee brown 棕啡
 Colour door fronts 顏色門板
 KSZ1AVD10



KVN361D3DK
 Espresso brown 深褐啡
 Colour door fronts 顏色門板
 KSZ1AVD00



KVN361Z3DK
 Black matt 時尚黑
 Colour door fronts 顏色門板
 KSZ1AVZ00



KVN361N3CK
 Pearl night blue 星夜藍
 Colour door fronts 顏色門板
 KSZ1AVN00



KVN361U3CK
 Petrol 礮石藍
 Colour door fronts 顏色門板
 KSZ1AVU10



KVN361A3CK
 Aqua 湖水藍
 Colour door fronts 顏色門板
 KSZ1AVU00



KVN361J3CK
 Mint green 薄荷綠
 Colour door fronts 顏色門板
 KSZ1AVJ00



KVN361H3DK
 Lime green 青檸綠
 Colour door fronts 顏色門板
 KSZ1AVH00



KVN361T3CK
 Light blue 淡藍
 Colour door fronts 顏色門板
 KSZ1AVT00



KVN361P3CK
 Light rose 玫瑰粉
 Colour door fronts 顏色門板
 KSZ1AVP00



KVN361V3CK
 Pearl white 珍珠白
 Colour door fronts 顏色門板
 KSZ1AVV00



KVN361G3EK
 Stone grey 礮石灰
 Colour door fronts 顏色門板
 KSZ1AVG00

KVN361X3CK
 Pearl gold 寶石金
 Colour door fronts 顏色門板
 KSZ1AVX00

Side by Side Refrigerator 對門雪櫃

Brilliant masterpiece in XXL format, Bosch side by side refrigerator will easily cope with the demands of a large family and make a bold design statement too.

超重量級傑作，Bosch 對門雪櫃適合要求高並好客的大家庭，令生活變得輕鬆自在。



Separate Cooling Systems 雙循環製冷系統獨立溫度控制



A separate evaporator for the fridge and freezer sections, not only prevents the transfer of flavors, but also allows the fridge and freezer temperatures to be controlled separately.

將冷凍室和冷藏室分開並各自單獨製冷，不但防止冷凍室和冷藏室內的氣味互相轉移，並可按不同需要單獨控制溫度。



MultiAirflow Cooling 層層出風流通系統

Greatly improves circulation of air around the fridge, regulating temperature and humidity levels, and eradicating condensation build-up, so that your food stays fresher for longer.

有效地提高冰箱內每個角落的空氣流動，適當調節溫度和濕度，並消除積雪情況，食物能長期保持新鮮。



BigBox 特大儲存格

This extra large freezer drawer means you can store bulky frozen goods or stack freezer containers.

特大抽屜式冷藏儲存格可輕易冷藏大件食物或堆疊在冷藏儲存格內。



KAI93VIFPG Side-by-side refrigerator with automatic ice and water dispenser (Stainless Steel look) 無霜對門雪櫃連自動製冰製水器 (不銹鋼色)

NEW



Total net cap. 總淨容量 : 533L
Net fridge cap. 冷藏室淨容量 : 368L
Net freezer cap. 冷凍室淨容量 : 165L

Automatic ice & water dispenser
自動製冰製水器

Special mode 特殊模式 :
eco 節能、holiday 假日

Dimensions 尺寸 (H x W x D):
1,787 x 908 x 707 (762*) mm

* Include door handle 包括門柄

KAN92LB35G Side-by-side refrigerator (Volcano Black glass) 無霜對門雪櫃 (鑽黑玻璃)



Total net cap. 總淨容量 : 592L
Net fridge cap. 冷藏室淨容量 : 375L
Net freezer cap. 冷凍室淨容量 : 217L

VitaFresh plus 鮮肉保鮮格

Special mode 特殊模式 :
eco 節能、fresh 保鮮、holiday 假日

Dimensions 尺寸 (H x W x D):
1,756 x 912 x 732 mm

KAN92VI35 Side-by-side refrigerator (Stainless Steel look) 無霜對門雪櫃 (不銹鋼色)



Total net cap. 總淨容量 : 604L
Net fridge cap. 冷藏室淨容量 : 387L
Net freezer cap. 冷凍室淨容量 : 217L

Special mode 特殊模式 :
eco 節能、fresh 保鮮、holiday 假日

Dimensions 尺寸 (H x W x D):
1,756 x 912 x 732 mm

Fridge Specifications 雪櫃規格



KAI93VIFPG KAN92LB35G KAN92VI35



Model 型號	KAI93VIFPG	KAN92LB35G	KAN92VI35
Style 款式	Side-by-side refrigerator 無霜對門雪櫃	Side-by-side refrigerator 無霜對門雪櫃	Side-by-side refrigerator 無霜對門雪櫃
Colour 顏色	Stainless Steel look 不銹鋼色	Volcano Black glass 鑽黑玻璃	Stainless Steel look 不銹鋼色
Performance 效能			
EU energy efficiency class 歐洲能源標籤	A++	A++	A++
Annual energy consumption 每年耗電量	343kWh	385kWh	389kWh
HK energy label 香港能源標籤	1	1	1
Total net capacity 總淨容量	533L	592L	604L
Net fridge capacity 冷藏室淨容量	368L	357L	387L
Net freezer capacity 冷凍室淨容量	165L	217L	217L
Freezing capacity (24 hours) 24 小時內急凍新鮮食物量	13kg	12kg	12kg
Max. freezer storage in power failure 斷電後最長冰鮮時間	8H	12H	12H
Noise level 操作音響	42dB	43dB	43dB
Connected load 額定功率	0.24kW (13A)	0.19kW (13A)	0.19kW (10A)
Variolnverter 變頻壓縮機	•	•	•
Key Features 特點			
Frost free 全無霜設計	•	•	•
Separate temperature control 獨立溫度控制	•	•	•
MultiAirflow system 層層出風流通系統	•	•	•
AirFresh Filter 空氣過濾網	•	•	•
LED interior light LED 櫃內照明	•	•	•
Fridge compartment features 冷藏室功能			
Safety glass shelves 強化安全玻璃層架	5	3	4
EasyLift shelf EasyLift 層架	-	1	-
VitaFresh drawer for fish & meat 魚類和鮮肉冰鮮格	-	1 VitaFresh plus < 0°C	-
VitaFresh drawer with humidity control (fruit and vegetables) VitaFresh 濕度控制蔬果格	-	1 VitaFresh plus	1 VitaFresh
MultiBox 多用速保鮮格	2	-	-
Pull out drawer on extension rail 抽屜式保鮮格	-	1	1
BottleRack 瓶樽架	-	1	-
Door Bin 櫃門層架	5	5	4
Dairy compartment 乳製品貯存格	-	1	1
Freezer compartment features 冷凍室功能			
Pull out drawers 抽屜式冷凍貯存格	2	2	2
Safety glass shelves 強化安全玻璃層架	5	4	4
Automatic ice & water dispenser (ice cubes, crushed ice, water) 自動製冰製水器 (冰粒、碎冰、水)	4.5L water tank, 120pc ice cubes/day 4.5L 儲水箱, 製冰速度每天 120 塊	-	-
Ice Twister box 旋轉製冰盒	-	1	1
Door Bin 櫃門層架	3	5	5
Ice pack 冰格雪糕板	-	2	-
Special functions 特殊功能			
SuperCooling function Super 極速冷藏功能	•	•	•
SuperFreezing function Super 極速冷凍功能	•	•	•
eco 節能模式	•	•	•
fresh 保鮮模式	•	•	•
holiday 假日模式	•	•	•
Door open warning signal 關門提示	optical and acoustical 燈號及響號	optical and acoustical 燈號及響號	optical and acoustical 燈號及響號
Malfunction warning signal 故障提示	optical and acoustical 燈號及響號	optical and acoustical 燈號及響號	optical and acoustical 燈號及響號
Design 設計			
Exterior TouchControl temperature operation 輕觸式溫度控制及顯示 (觸面)	•	•	•
Integrated vertical handle 垂直暗抽手	-	-	•
Dimensions (H x W x D) 尺寸 (高 x 闊 x 深)	1,787 x 908 x 707 (762*) mm	1,756 x 912 x 732 mm	1,756 x 912 x 732 mm
Country of origin 原產地	China 中國	China 中國	China 中國

* Include door handle 包括門柄

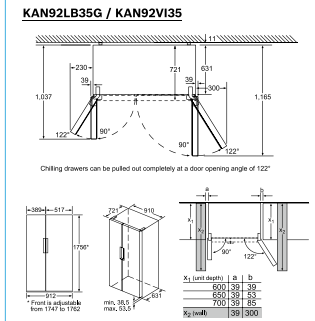
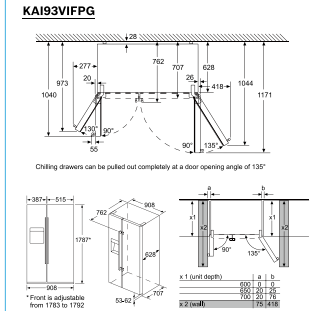


KVN36IR3CK
Cherry red 櫻桃紅

Model 型號	Vario Style
Style 款式	Bottom freezer 下置冰格雪櫃
Colour 顏色	Exchangeable colour fronts (25 colours) 可更換顏色門板 (25 款顏色)
Performance 效能	
EU energy efficiency class 歐洲能源標籤	A++
Annual energy consumption 每年耗電量	250kWh
HK energy label 香港能源標籤	1
Total net capacity 總淨容量	323L
Net fridge capacity 冷藏室淨容量	235L
Net freezer capacity 冷凍室淨容量	88L
Freezing capacity (24 hours) 24 小時內急凍新鮮食物量	14kg
Max. freezer storage in power failure 斷電後最長冰鮮時間	16H
Noise level 操作音響	39dB
Connected load 額定功率	0.1kW (10A)
Key Features 特點	
Frost free 全無霜設計	•
Separate temperature control 獨立溫度控制	•
MultiAirflow system 層層出風流通系統	•
LED interior light LED 櫃內照明	•
Fridge compartment features 冷藏室功能	
Safety glass shelves 強化安全玻璃層架	3
VitaFresh drawer for fish & meat 魚類和鮮肉冰鮮格	2 VitaFresh < 0°C
VitaFresh drawer with humidity control (fruit and vegetables) VitaFresh 濕度控制蔬果格	1 VitaFresh
BottleRack 瓶樽架	1
Door Bin 櫃門層架	3
Freezer compartment features 冷凍室功能	
Pull out drawers 抽屜式冷凍貯存格	3
Safety glass shelves 強化安全玻璃層架	2
Ice cube tray 製冰格	1
Special functions 特殊功能	
SuperCooling function Super 極速冷藏功能	•
SuperFreezing function Super 極速冷凍功能	•
eco 節能模式	•
Door open warning signal 關門提示	optical and acoustical 燈號及響號
Malfunction warning signal 故障提示	optical and acoustical 燈號及響號
Design 設計	
Interior LED temperature control & display 櫃內 LED 溫度選擇及顯示屏	•
Integrated vertical handle 垂直暗抽手	•
Door right hinged, reversible 預設右門鉸, 可更換左門鉸	•
Dimensions (H x W x D) 尺寸 (高 x 闊 x 深)	1,860 x 600 x 660 mm
Country of origin 原產地	Turkey 土耳其
Optional accessory 可選購配件	*25 Exchangeable colour front panels (Recommended retail price: HK\$2,800/set) *25 款可更換顏色門板 (建議零售價: HK\$2,800/套)

* Colour front panels are made in Germany 顏色門板於德國製造
Basic appliance model 產品基本型號: KGN36IJ3CK

Technical Diagrams 尺寸圖



Depth includes spacer at the rear for ventilation.
Recommended min. ventilation space for built-in installation, Top: 90mm, Sides: min. 25mm each, door hinge should be placed outside the cabinet.
深度包括後方定位作通風。廚櫃內安裝建議預留最少通風位, 高: 90毫米, 兩側: 最少25毫米每邊, 雪櫃門鉸須設於廚櫃外。

